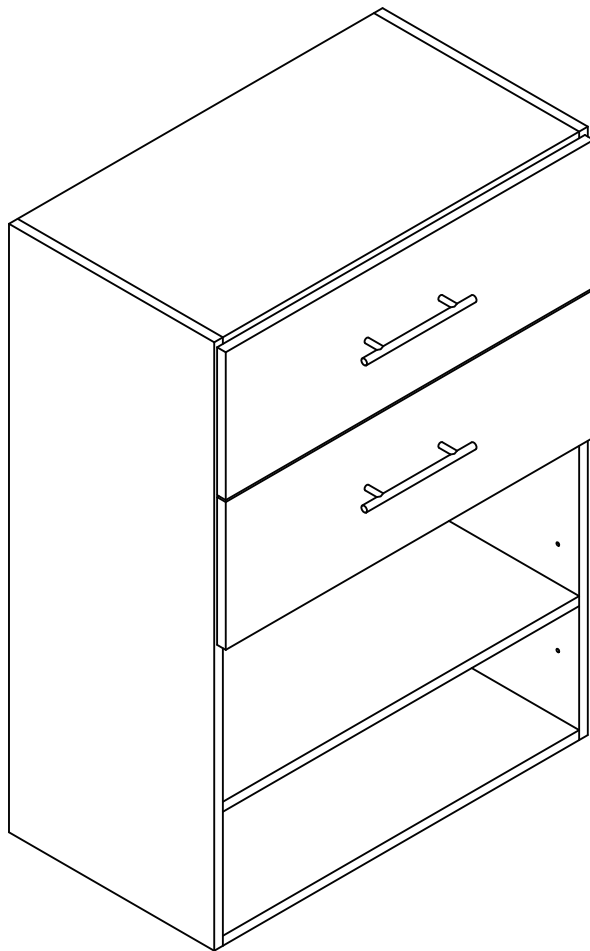


---

# Storage Box 05

## Instruction Manual



TEL: **(855)208-0668** (MON-FRI 9:00am-6:00pm Eastern Time)  
Email: [help@EverythingSupport.com](mailto:help@EverythingSupport.com)

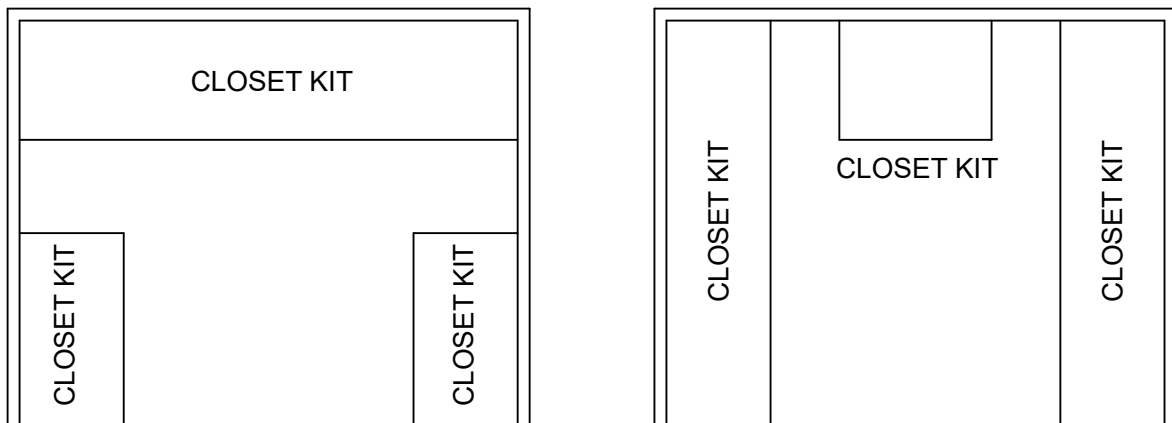
---

---

## 1. Closet Kit Layout

Closet kits can be installed in several layouts. Plan your layout before starting installation.

### Top View

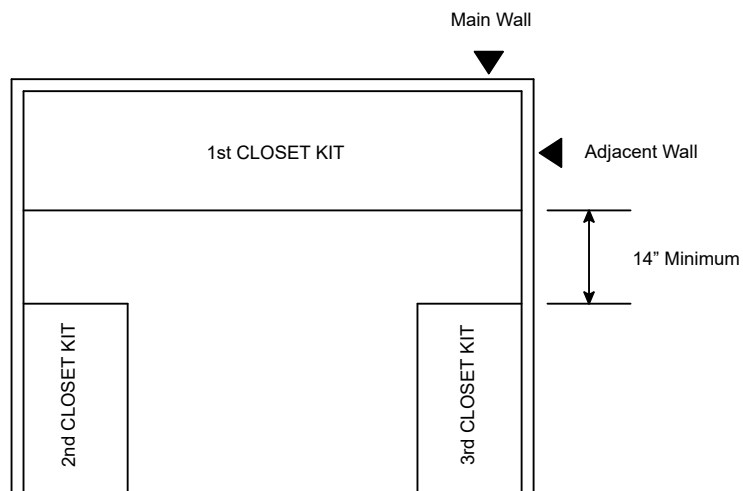


---

## 2. Corners

In room corners, it is important for one closet kit to go all the way up to the adjacent wall. The next kit placed on that adjacent wall should be installed a minimum of 14" from adjacent product to ensure access.

### Top View

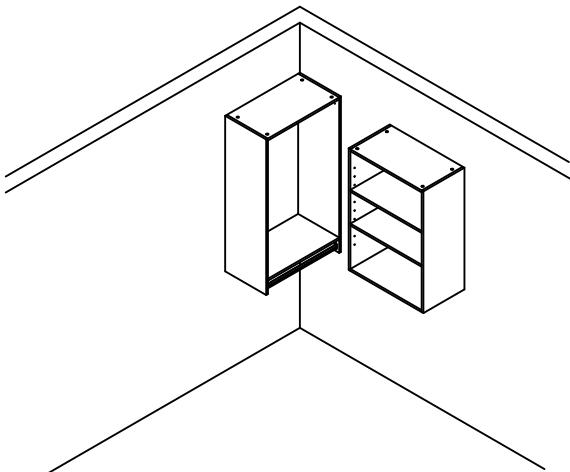


---

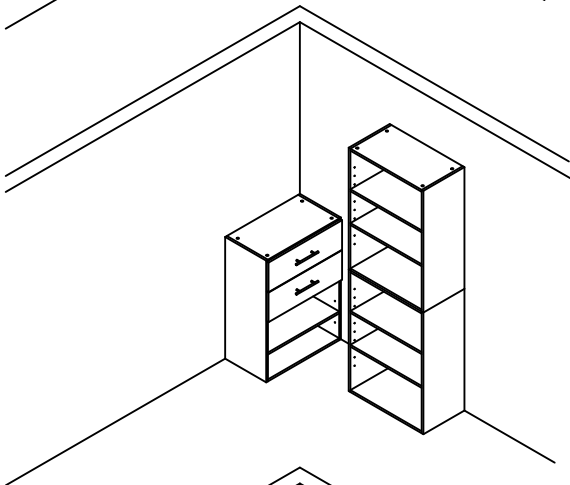
### 3.Do's and Don'ts

Closet kits can be installed in several layouts. Plan your layout before starting installation.

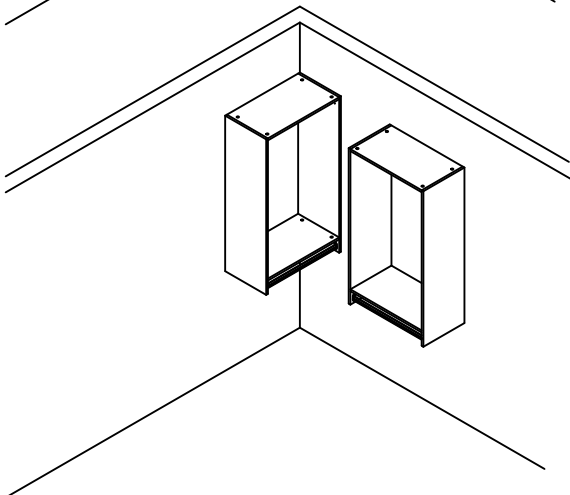
#### Top View



√ Do place hanging sections on wall adjacent to shelf in order to ensure easy access.



! Don't put drawers in corner or you will not be able to fully open your drawer.



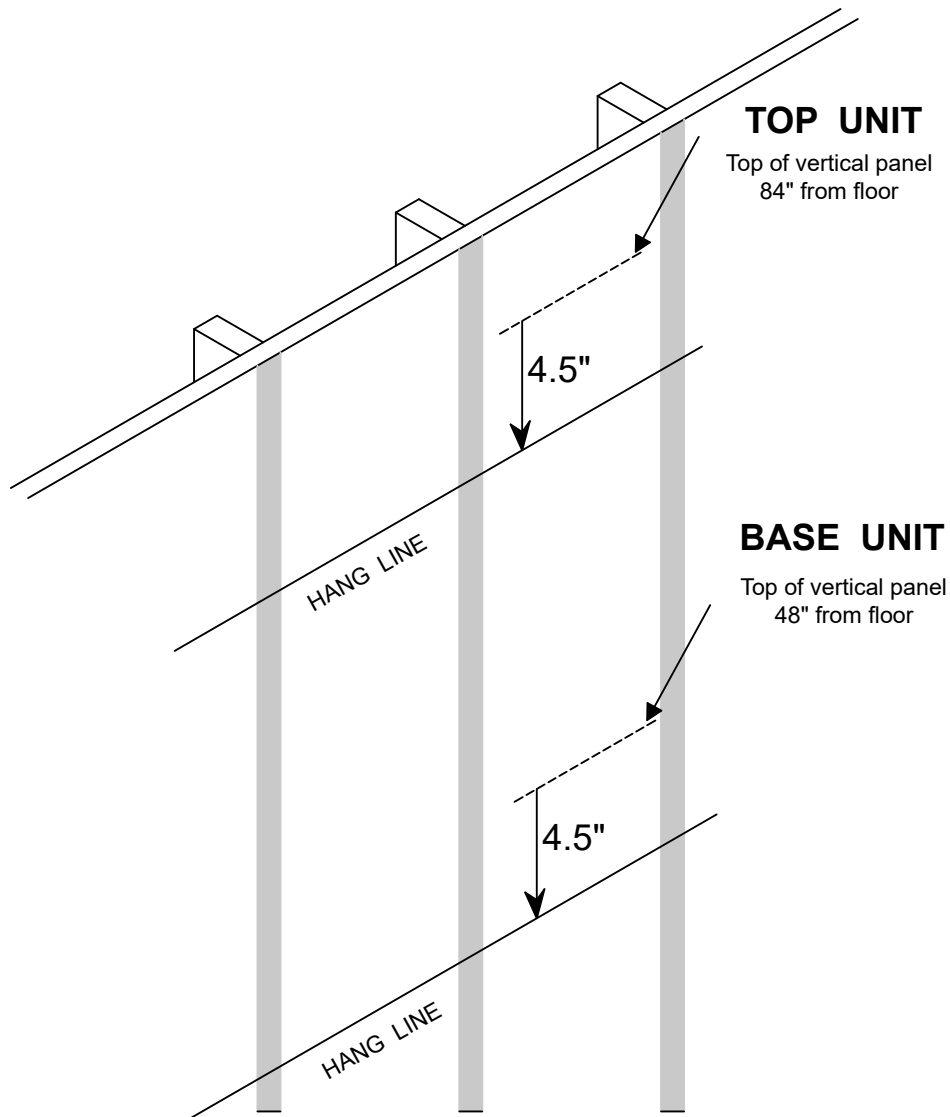
! Don't put a hanging section into a hanging section or your clothes will be hard to reach.

- 
1. Decide where to locate the top of the vertical panel. Mark a hang line for the track 4.5" down from the top of the vertical panel.

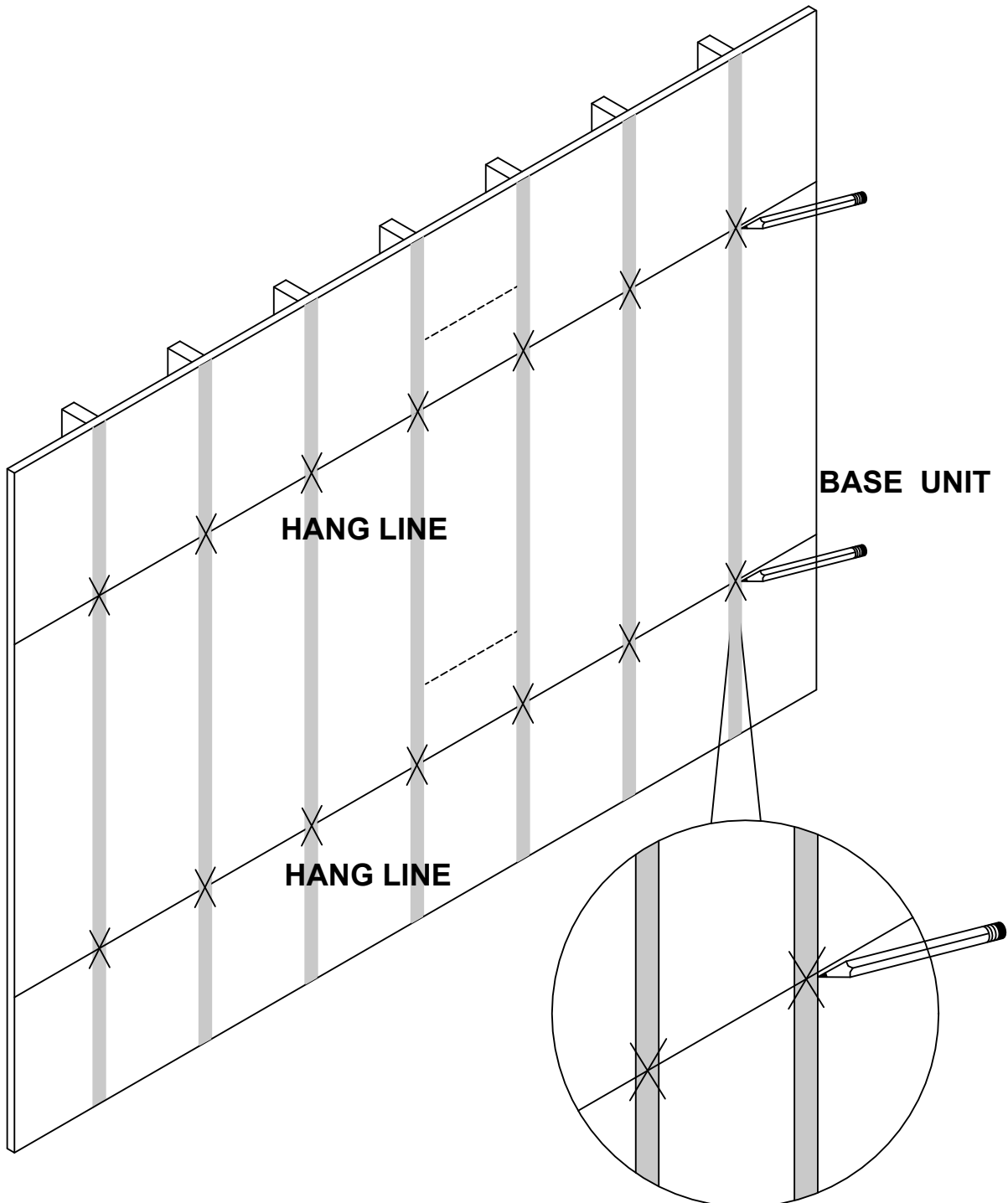
**TIP**

Top Unit: We recommend a height of 84" for the top of the vertical panel.

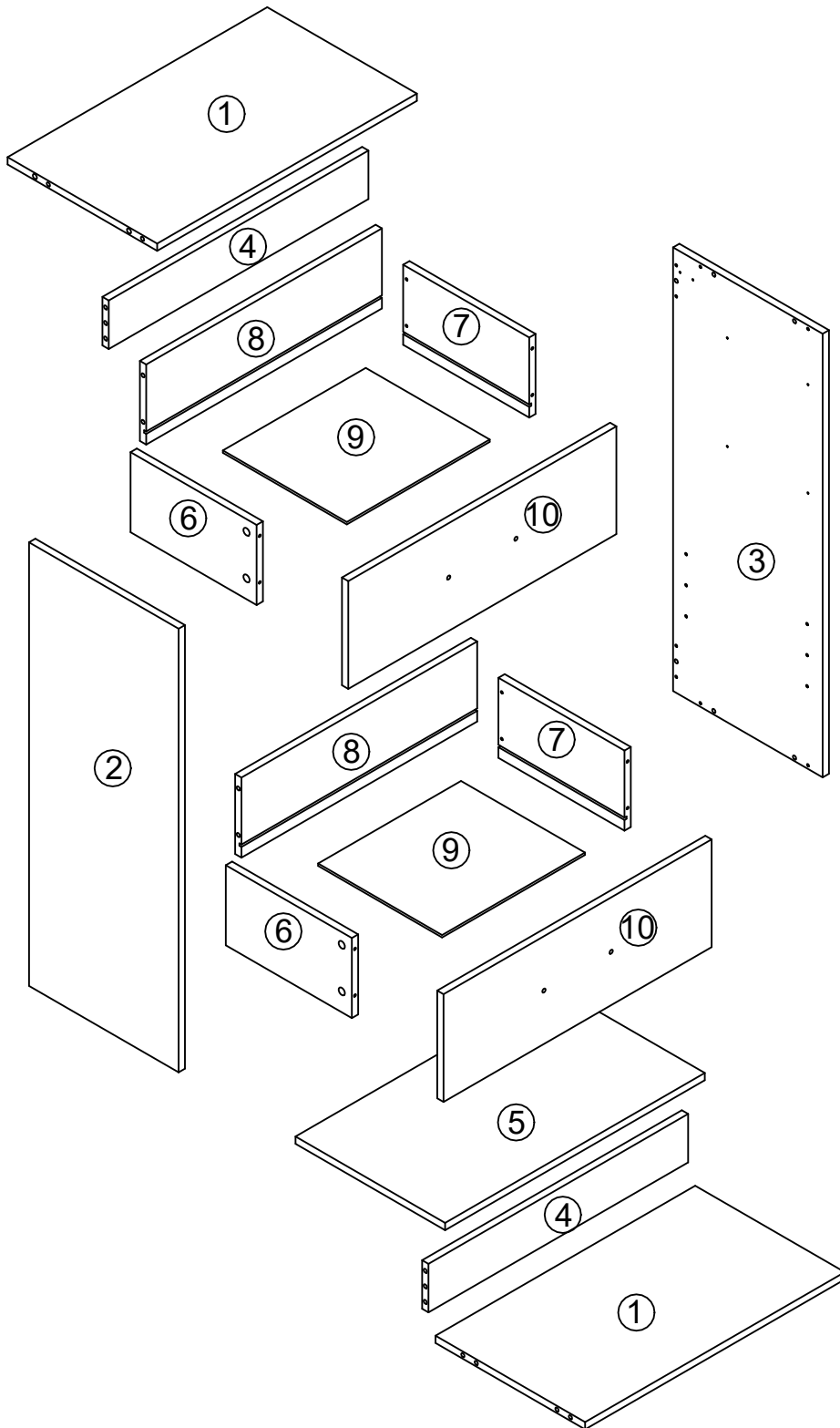
Base Unit: We recommend a height of 48" for the top of the vertical panel.



- 
2. Mark locations of studs. On the hang line.  
Using a stud finder, locate studs to which the unit will be secured. Mark stud locations with a pencil



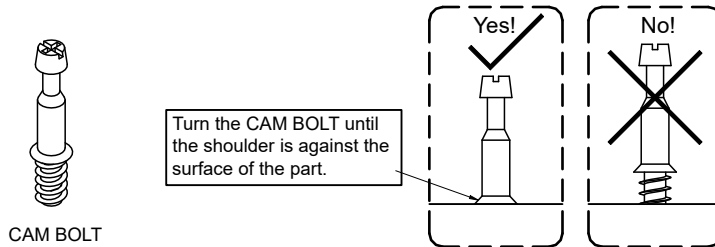
# Parts List



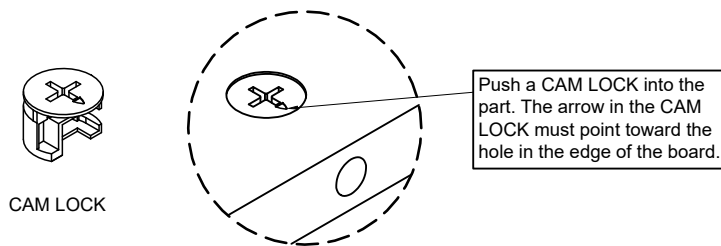
## Hardware Usage Guide

### HOW TO USE A CAM LOCK & CAM BOLT OR CAM DOWEL?

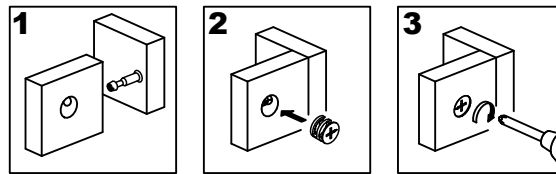
1. NOTE: CAM BOLT or a CAM LOCK may be used.



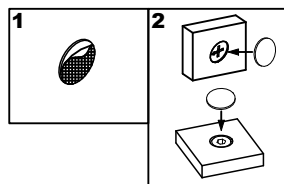
2.



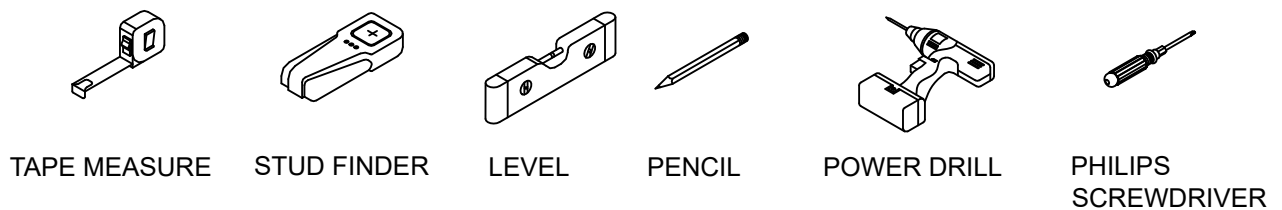
3. Insert the CAM BOLT into the CAM LOCK. Tighten the CAM LOCK.



4. Remove the the protective layer of sticker, then use it to cover all cam-lock holes & bolt holes that you can see.



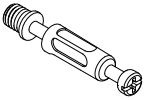


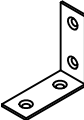



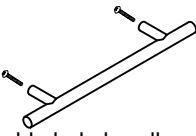



### TOOLS REQUIRED



## Hardware List

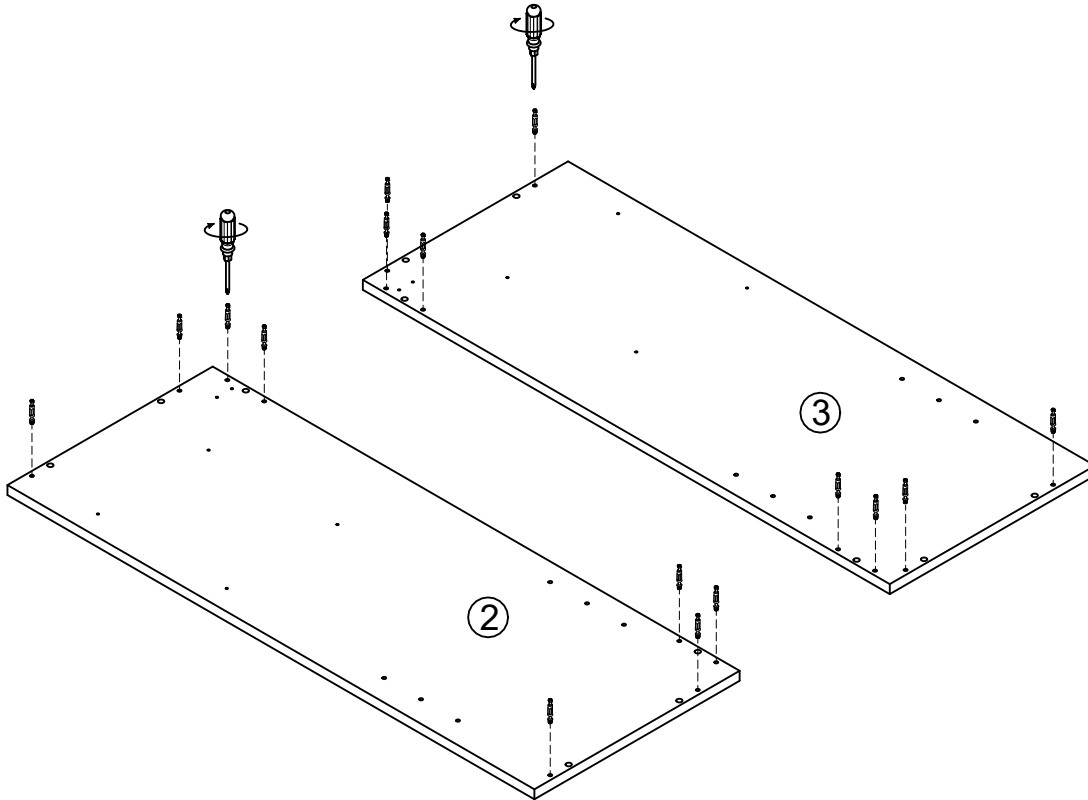
- Carefully remove all the parts from the carton and place them individually on a soft cloth to prevent scratches or other damage.
- Carefully and strictly follow these assembly&installation instructions to ensure a completed product as designed.
- Do not tighten all the screws until each part is properly assembled.

Item No.	Reference Image	Qty.	Item No.	Reference Image	Qty.
(A)	 Cam lock Ø15x11mm	x32	(G)	 Sticker	x32
(B)	 Cam bolt Ø7x32mm	x32	(I)	 Shelf support	x4
(C)	 Wood dowel Ø8x40mm	x12	(J)	 L-shaped angle iron	x2
(D)	 Screw Ø4x14mm	x24	(L)	 Three section ball slide 300mm	4 set
(E)	 Plastic anchor (8*40mm)	x4	(M)	 Double hole handle	x2
(F)	 with screw (4*50mm)	x4			

**Note: The Unit Width  $\geq$  28.5in, E and F=6pcs**

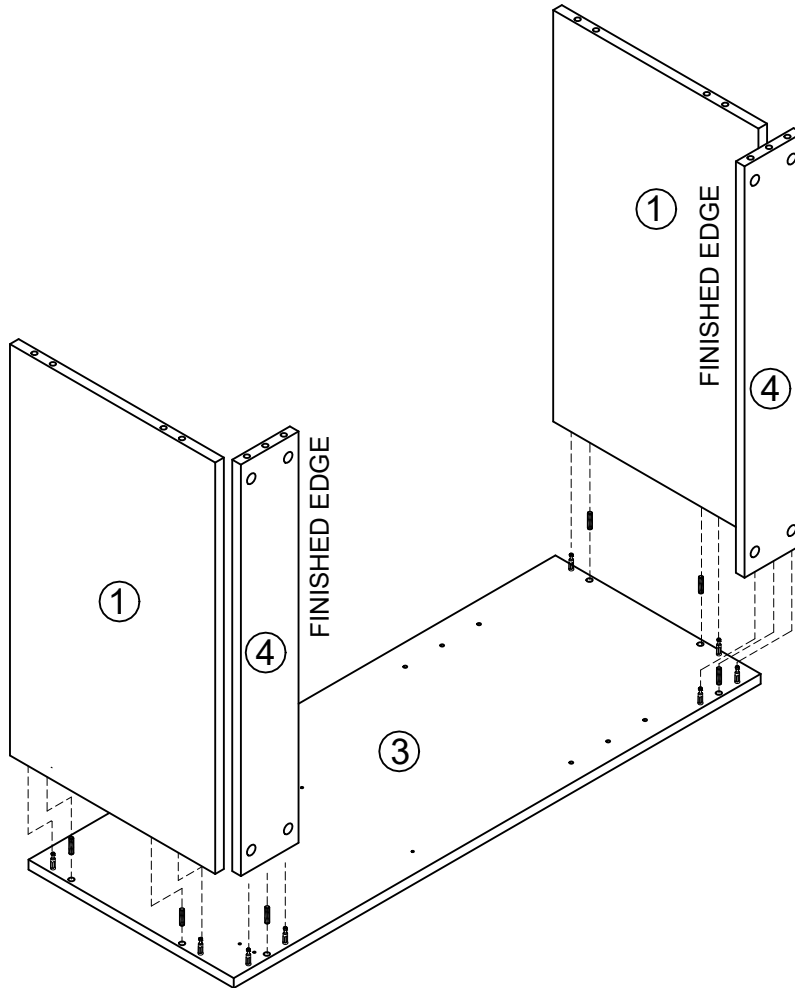
Step 1

 B x 16



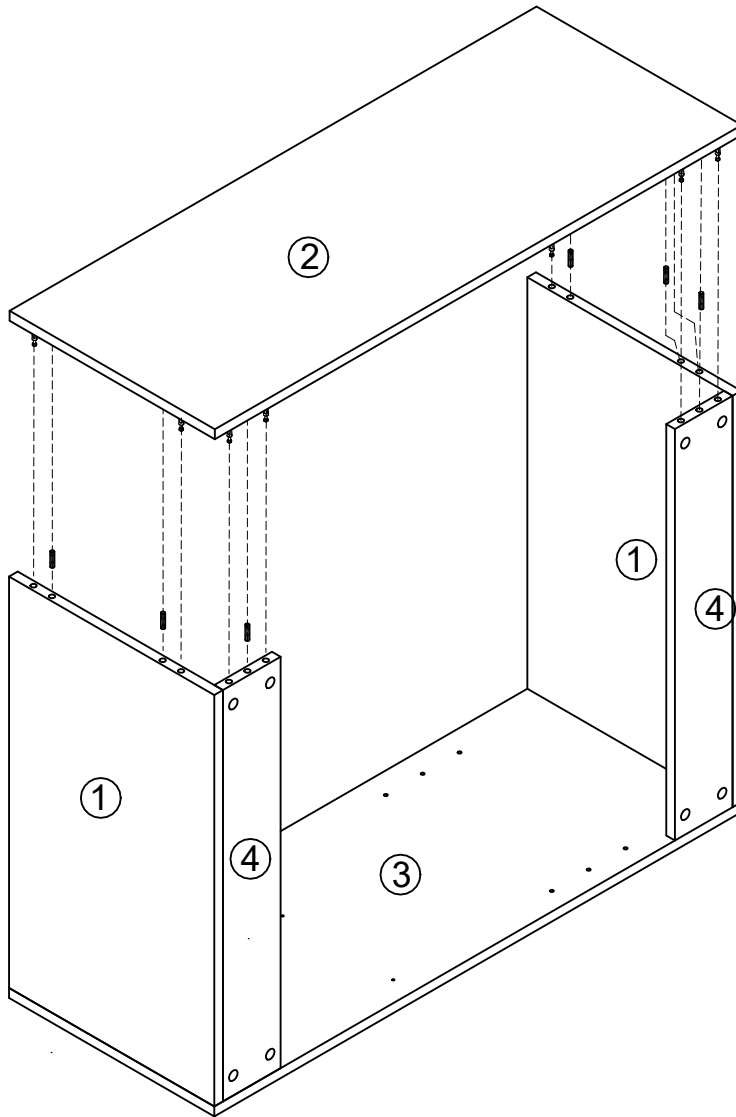
Step 2

 C x 6




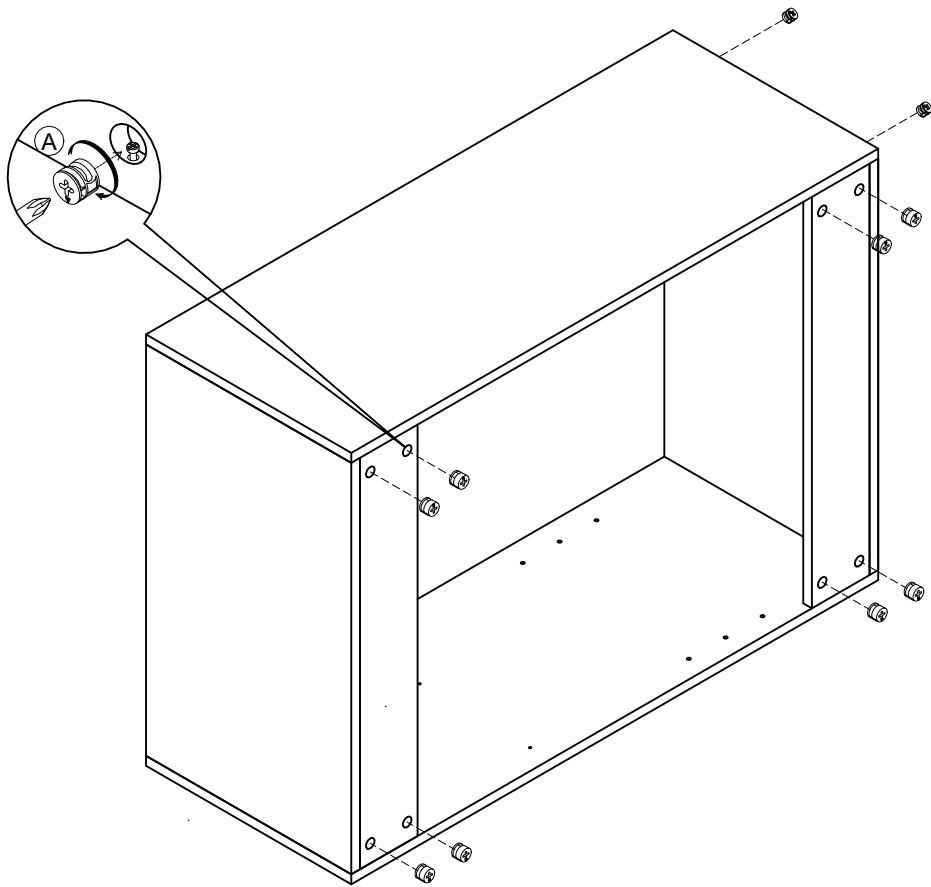
Step 3

 C x 6





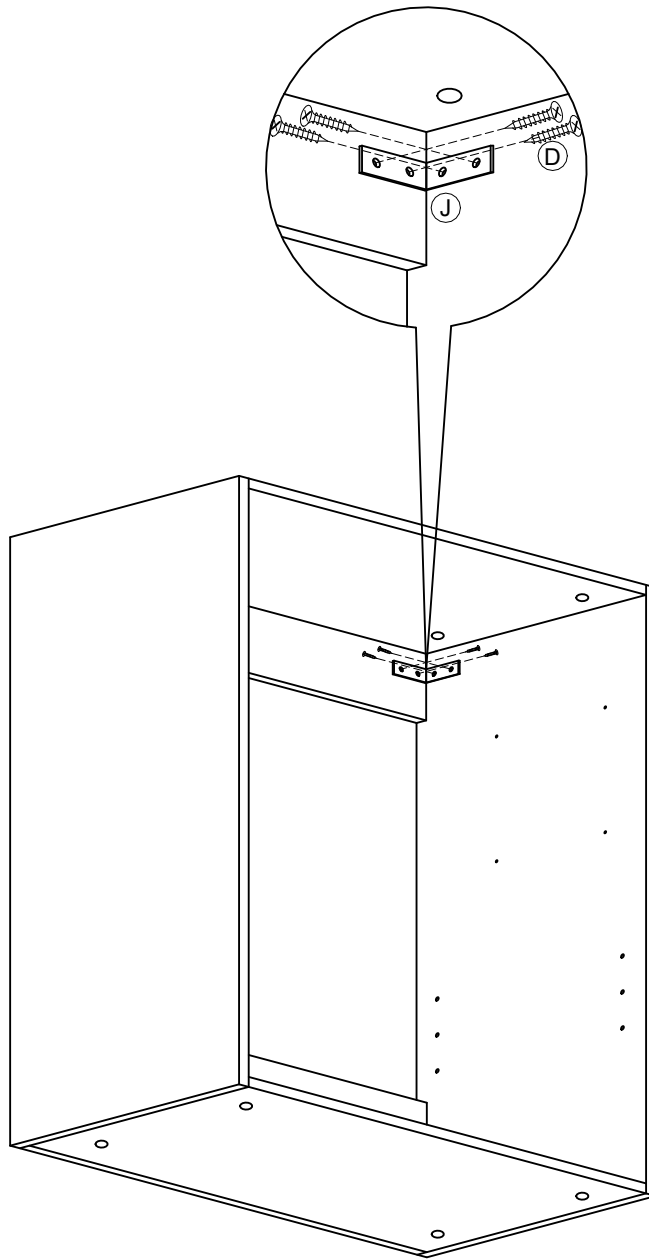
Step 4

 A x 16



**Step 5**

-  J x 2
-  D x 8

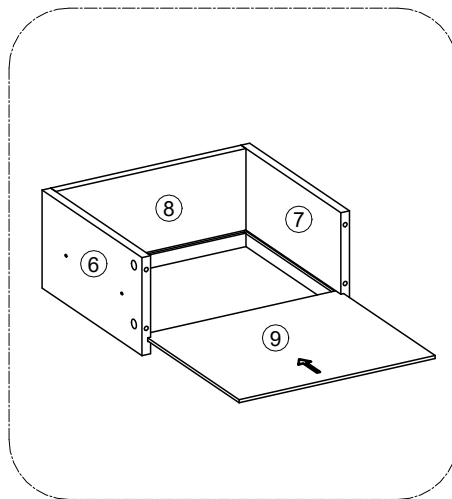
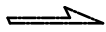
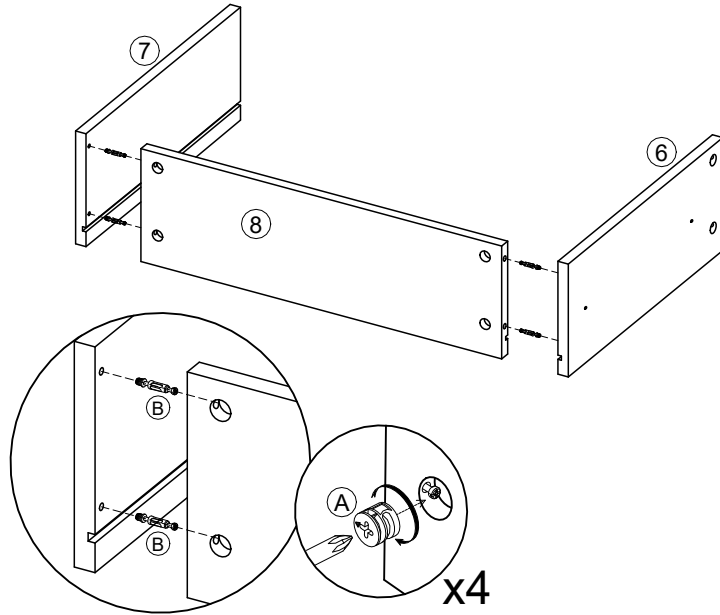


Step 6


 B x 8

 A x 8

X2

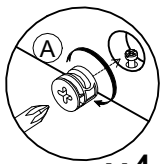
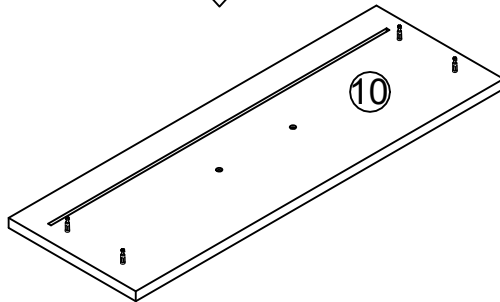
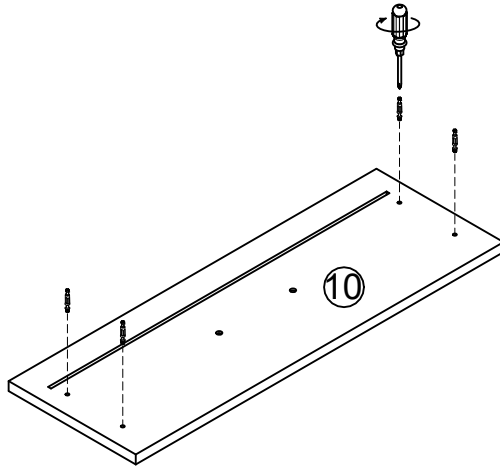


Step 7

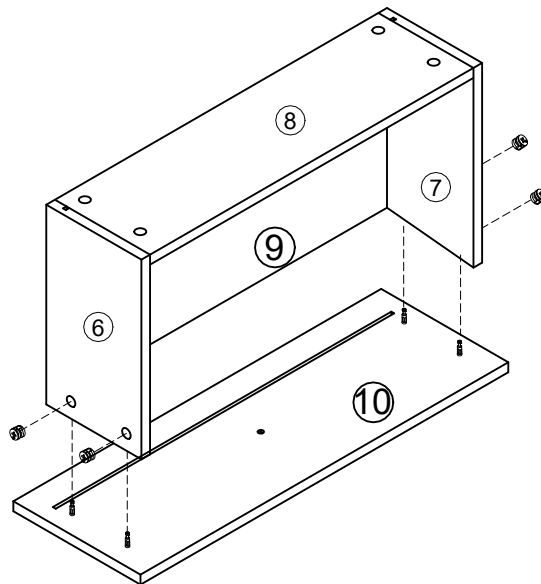
 A x 8

 B x 8

X2



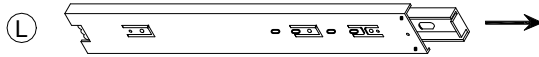
X4



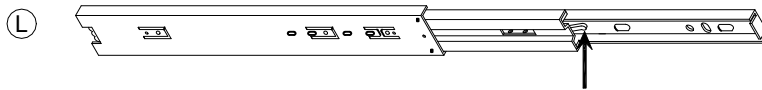
**Step 8**

 L x 4

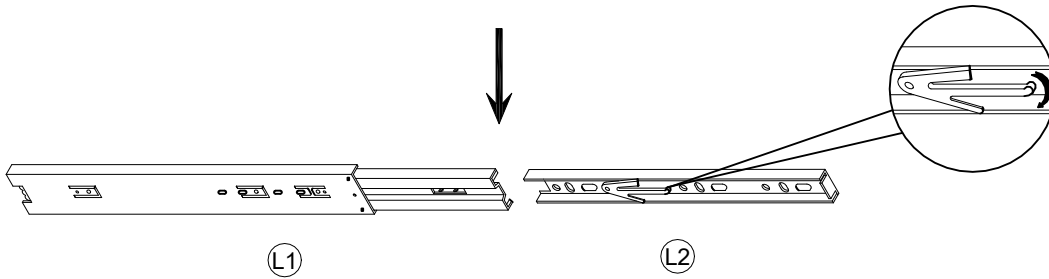
1. SLIDE SMALLEST PART FORWARD



2. LOCATE SMALL BLACK TAB



3. SLIDE TAB DOWN AND PULL APART



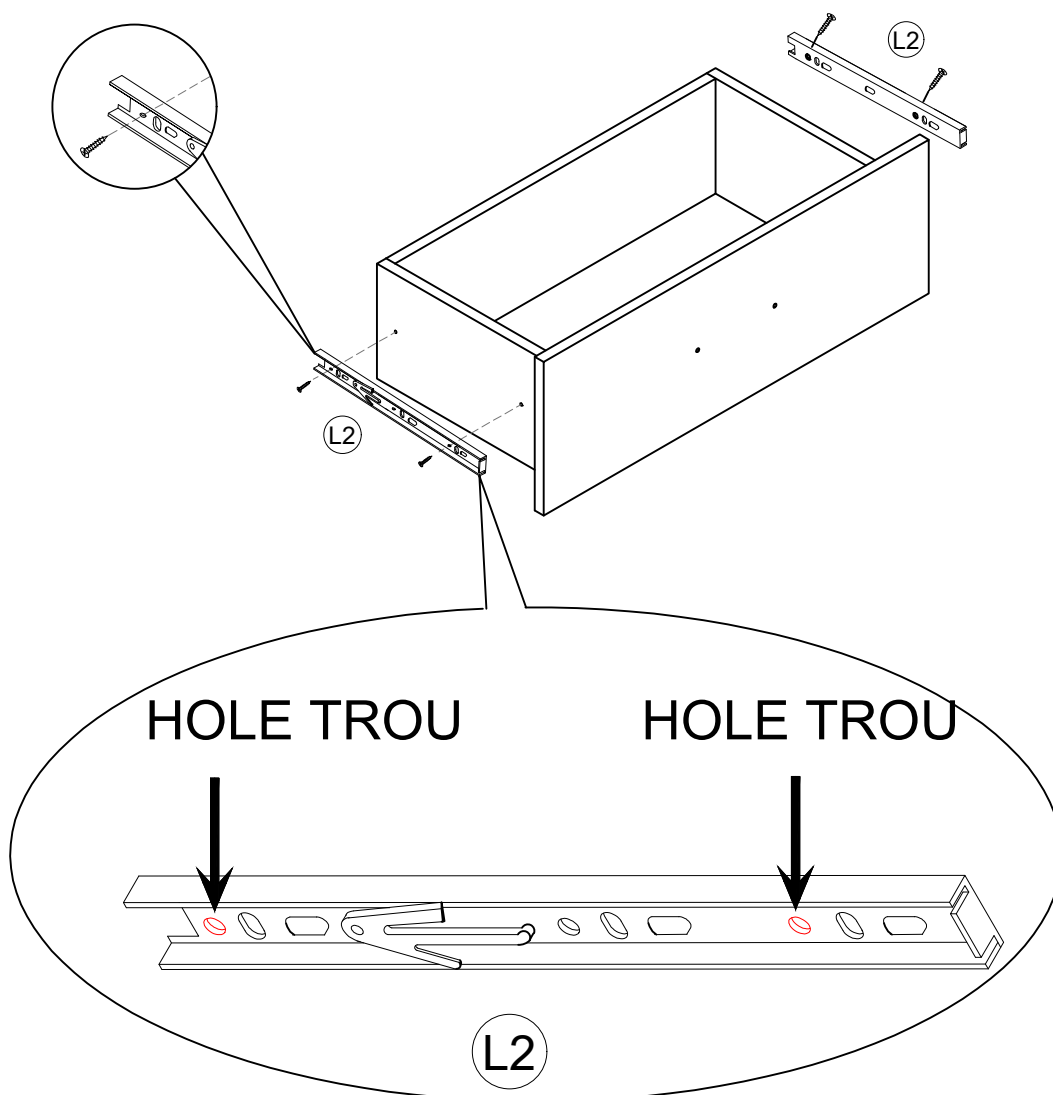
Step 9

L2 x 4

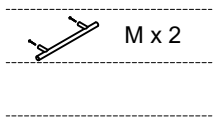
D x 8

X2

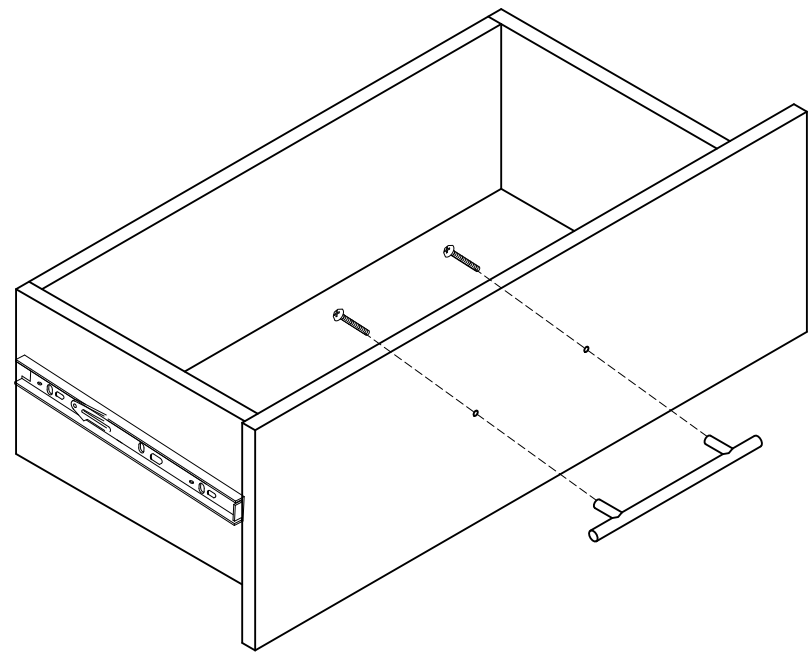
OPEN END TOWARD BACK



Step 10



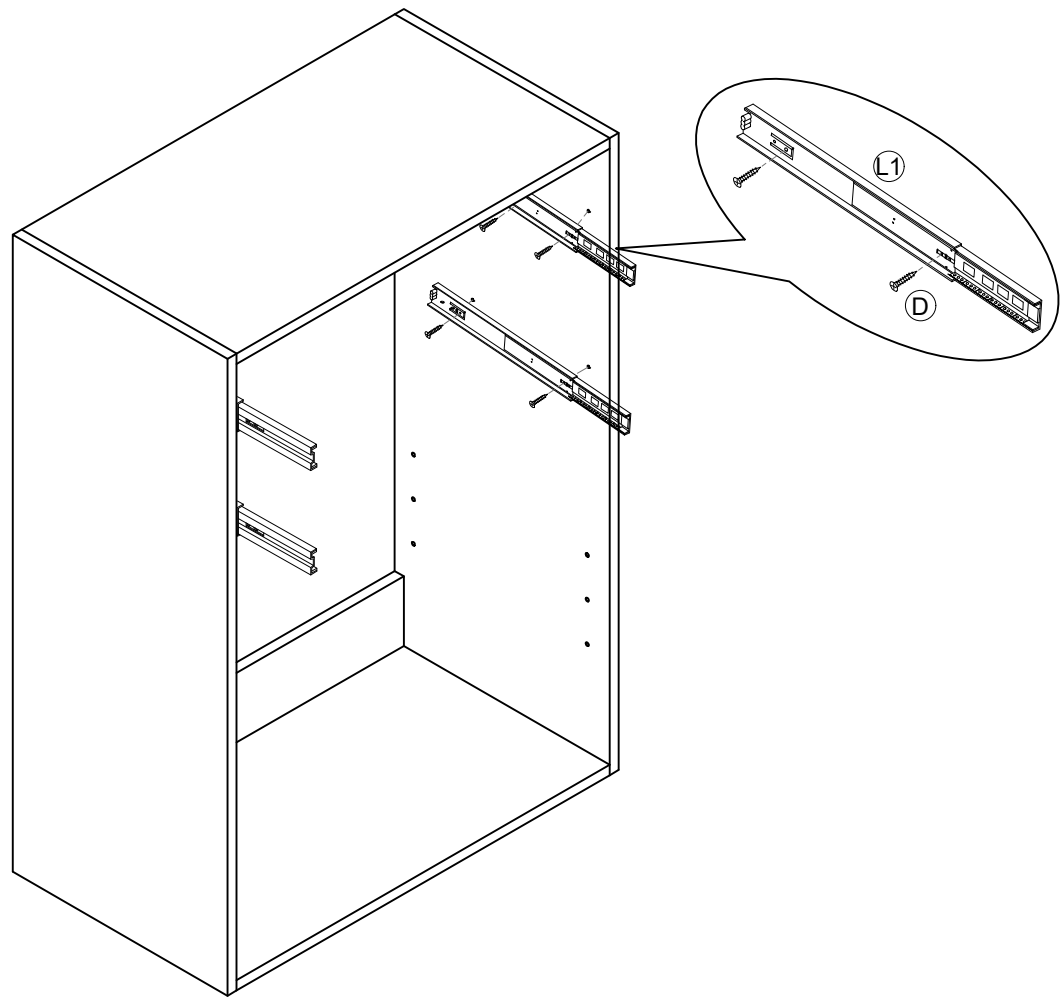
X2



Step 11

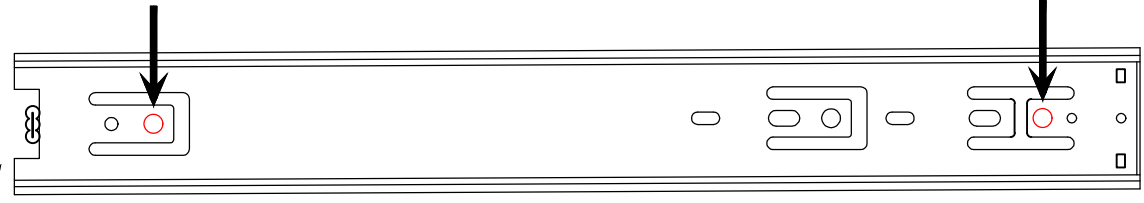
L1 x 4

D x 8



HOLE TROU

HOLE TROU

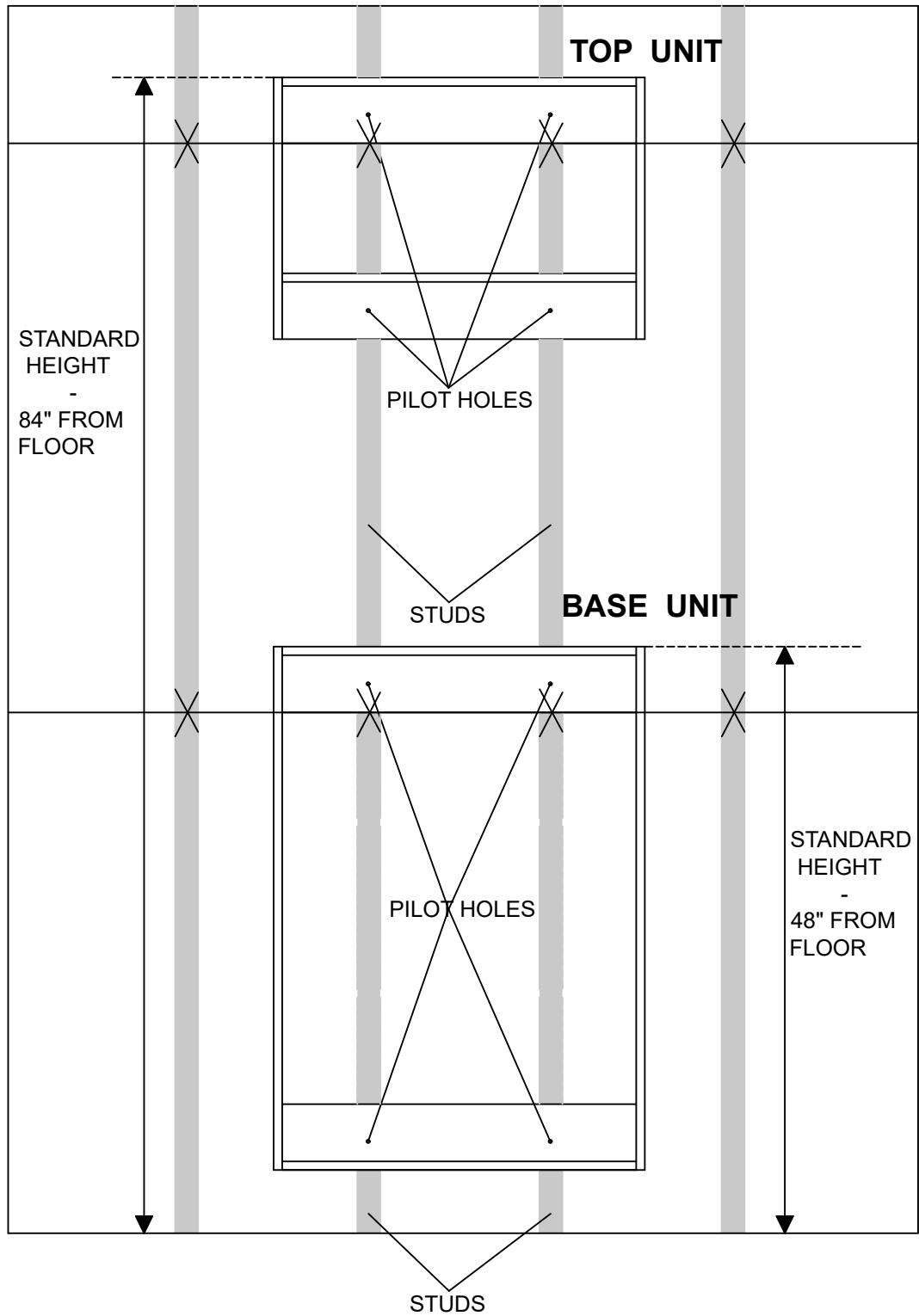


THIS END TOWARD BACK



L1

## Step 12

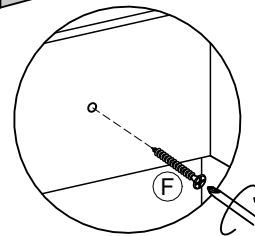
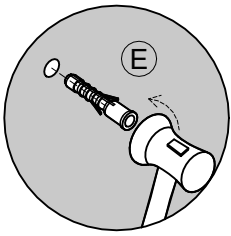
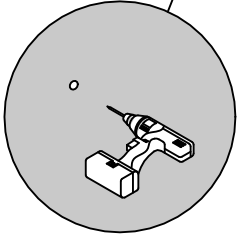
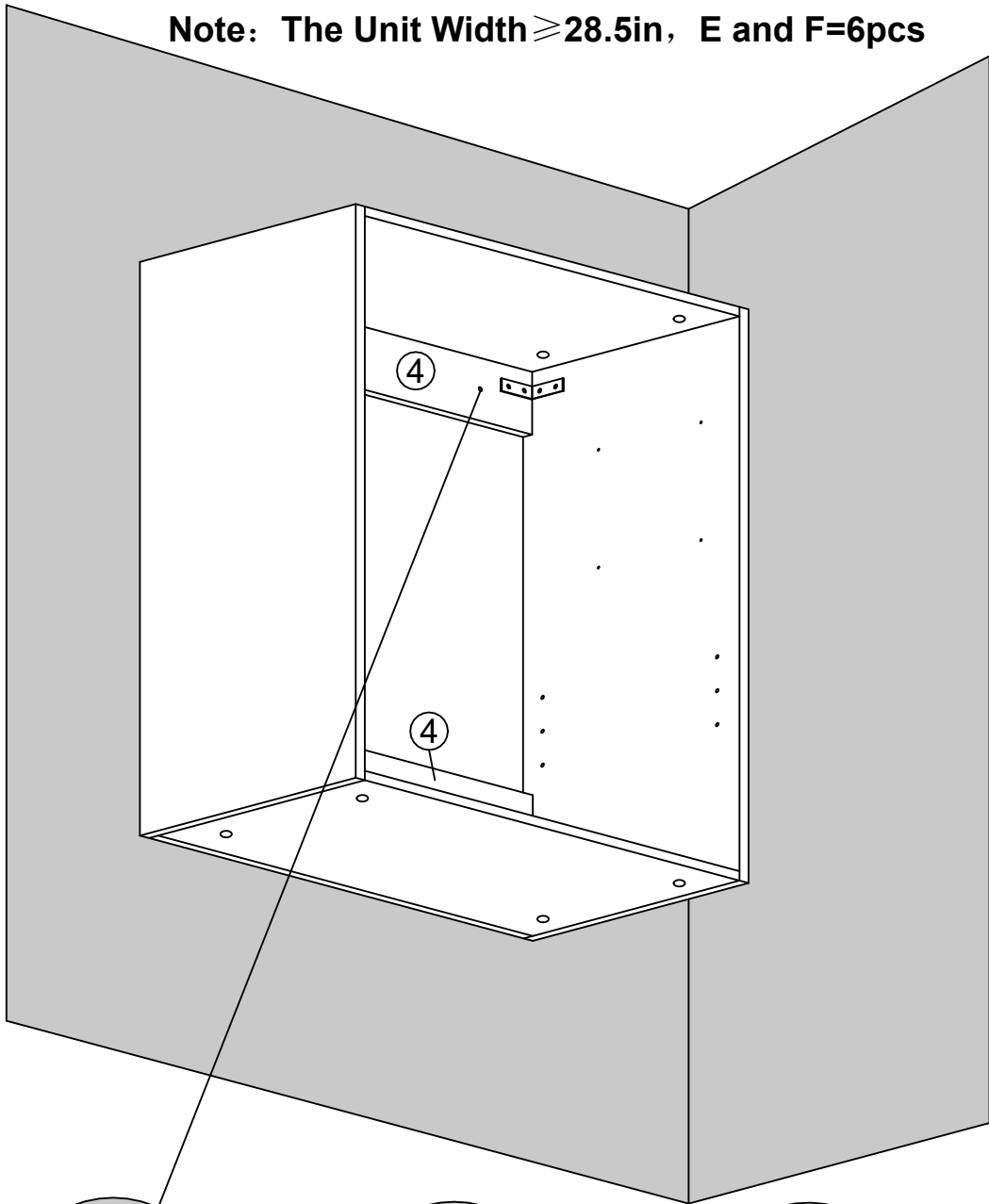
1. Determine the mounting location for the unit.
2. With the unit positioned at the desired location, level the unit, then drill Dia. 1/5" pilot holes through Rear Hanging Panel .



Step 13

-  E x 4
-  F x 4

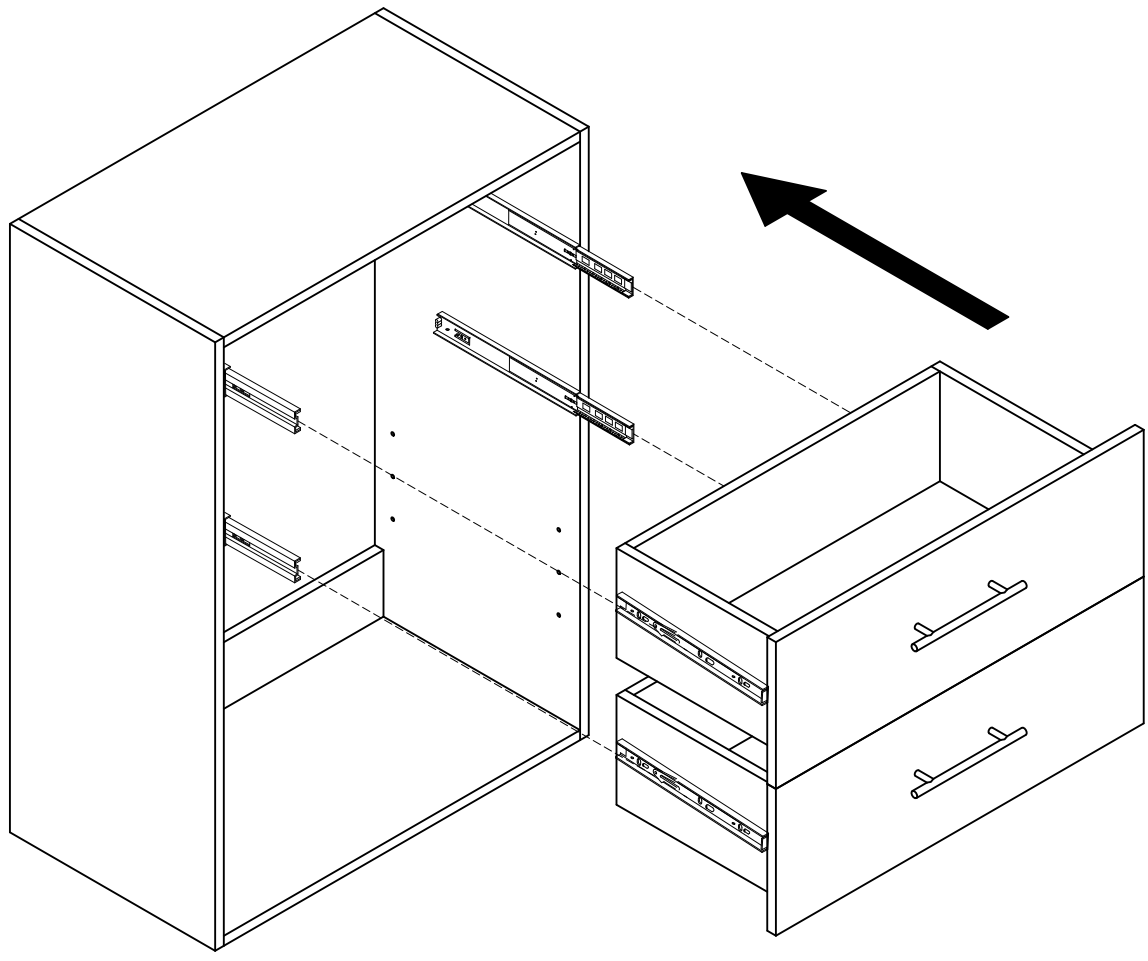
Note: The Unit Width  $\geq 28.5$ in, E and F=6pcs



DETAIL HOLE FOR WALL FIXING  
Note: hammer is not included.

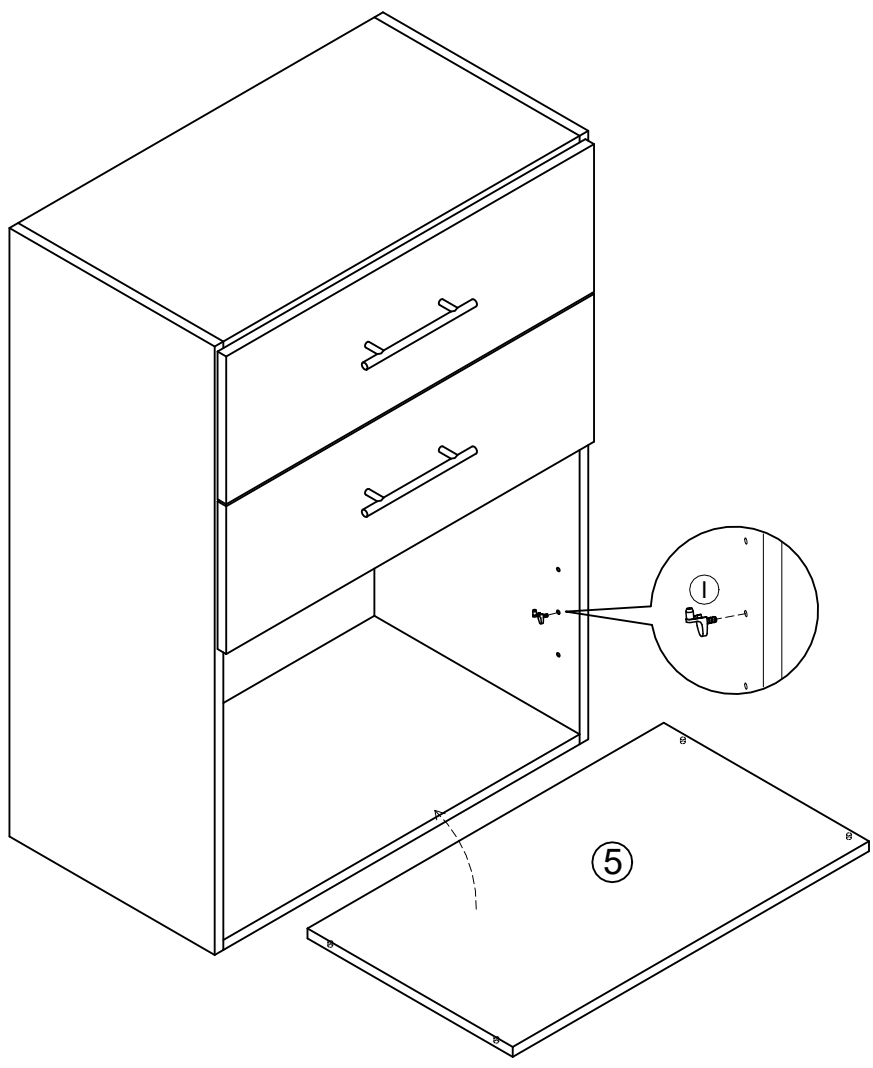
Step 14

-----  
-----  
-----



Step 15

 1 x 4



# AFTER-SALES SERVICE CARD

We sincerely thank you for trusting our service and our products, and may this product add enrichment to your home. We guarantee that the product has undergone strict quality inspection and meticulous packaging. If you encounter any issue regarding either shipping or the product, please feel free to contact us at any time. We'd be more than happy to serve you wholeheartedly.

Yours Sincerely

***Customer Service:(855)208.0668(MON-FRI 9:00am-6:00pm  
Eastern Time) or contact [help@EverythingSupport.com](mailto:help@EverythingSupport.com)***

***Address: 3005 Breckinridge Blvd, Suite 200, Duluth, GA 30096***

---

If you have any questions or concerns please feel free to contact us. We're committed to providing our customers with the quality service.