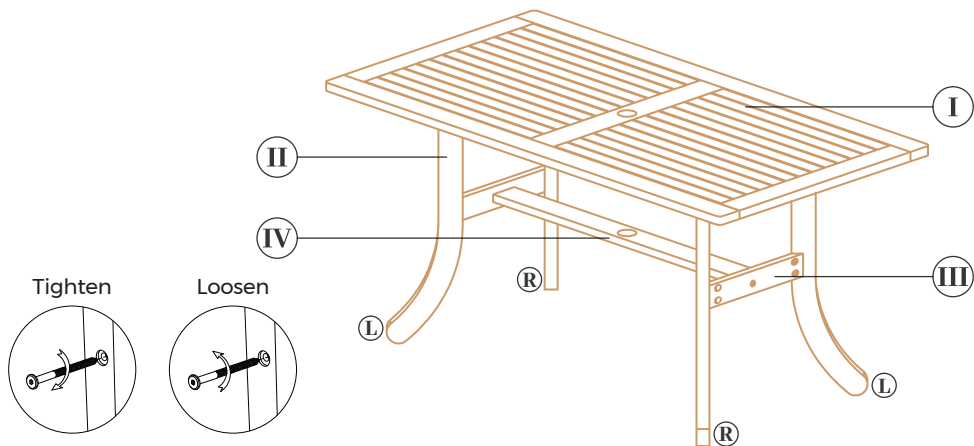


USER MANUAL

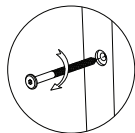
All-in-one notebook. Please keep for your later reference.

ASSEMBLY INSTRUCTION

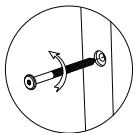
In the box



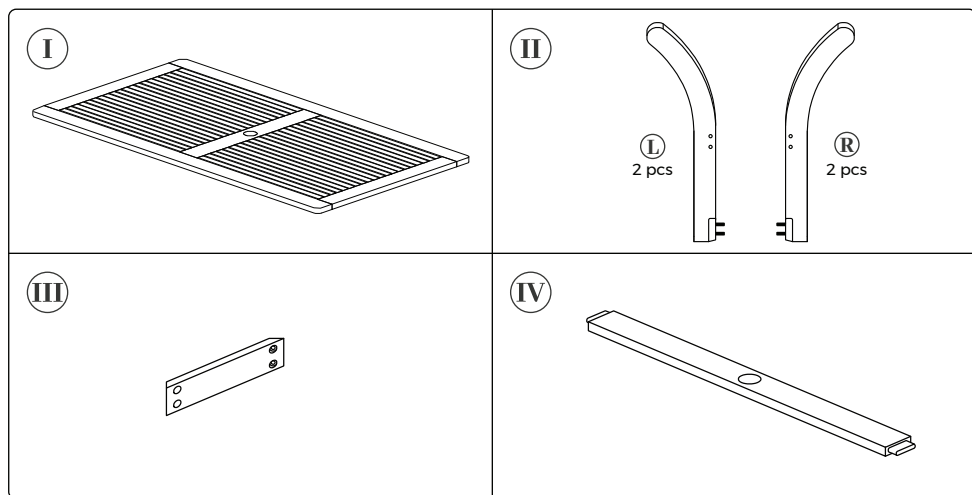
Tighten



Loosen



Parts included:



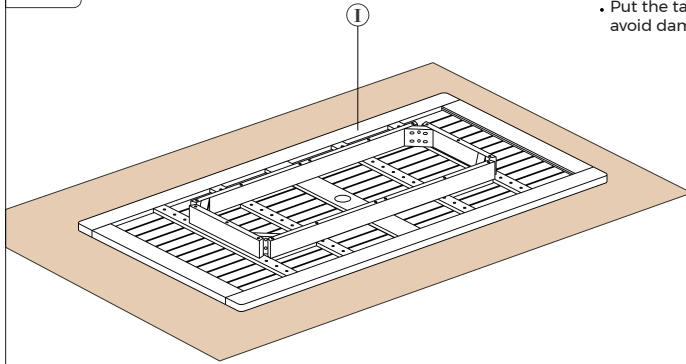
Hardware Included:

Getting Started

NOTE:

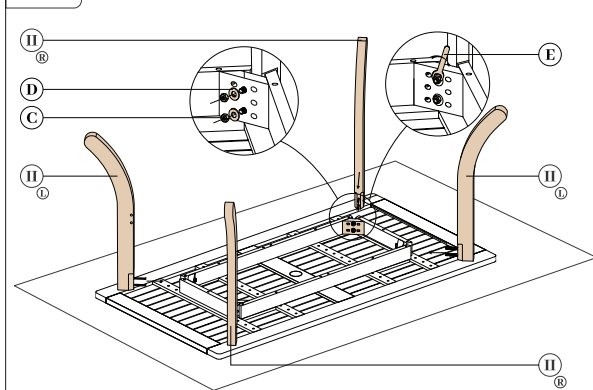
- 50% tichten before fixing all bolts & screws.
- Please read instructions carefully before assembling product.
- For your safety, assembly by two or more adults is strongly recommended.
- Use the above parts and fittings list to identify each component.

Step 1



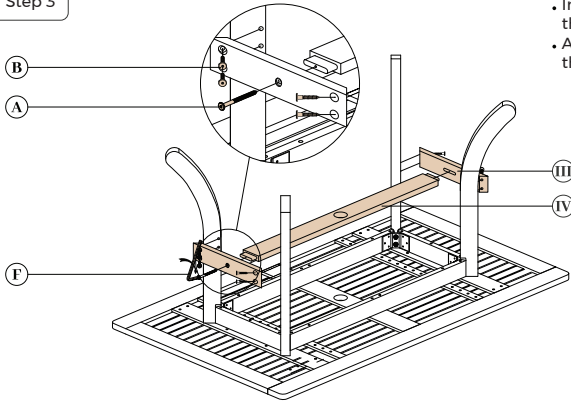
- Put the table top on the styro foam to avoid damage.

Step 2



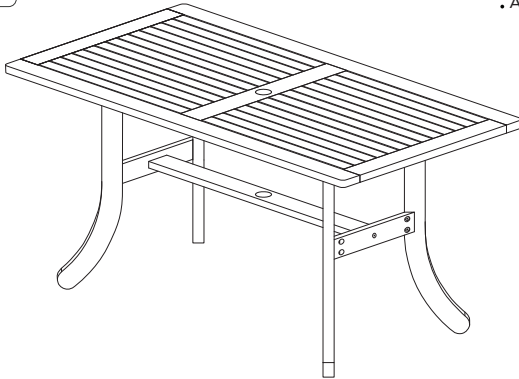
- Insert the table legs with fixed screws into pre-drilled holes.
- Insert the washers (B) into the table leg's screws.
- Screw in the Hex Nuts (A) to fix the table leg with the table top.
- Use the Spanner (C) to tighten the Nuts.

Step 3



- Insert part IV into the aligned holes on part III, then tight them with (A) screws.
- Align pre-drilled holes on part III with part II, then tight them with (B) screws.

Step 4



- Assembly is complete.



1. Characteristics

- Wood is a living material. Therefore, its appearance changes over time and some cracks appear. It's normal and this is what makes the authentic charm of hardwood. Thanks to robust and weatherproof properties, wood furniture requires little maintenance to prolong its lifespan.
- Always make certain to cover your outdoor wood furniture with waterproof covers when you are not using it. Although it may seem as a lot of work, placing covers only takes a few minutes and will protect your furniture from the bad conditions. Sunlight is also another factor that can damage your furniture so covering will protect them as well.
- All timber surfaces will change color and mellow over time. New furniture will initially vary in shade from items that have been previously purchased.
- Clean product with appropriate material to retain a good level of protection.

2. General Clean & Care

- Please clean the furniture with a soft cloth and a dilute soap solution.
- Rinse it with water and let it dry thoroughly.
- Do not use pressure washing equipment or you will damage the structure of the wood.
- Obstinate dirt can be removed by applying more pressure when cleaning with soft cloth.
- Afterwards please polish the surface with a soft cotton cloth.
- Caution:
For Oiled Wood Finish Furniture, please re-oil the wood every six or twelve months to retain a good level of protection. If you choose to let it age without applying oil for maintenance, it will get faded and won't be protected anymore.
- Teak Furniture & Other Fine Woods.
We do not recommend repainting the furniture yourself. In case you need, please read the below instruction carefully:
Step 1: Scraping off the current paint, being careful not to gouge the wood with the scraper by holding it parallel to the wood and applying even pressure.
Step 2: Sanding the entire furniture carefully.

- **Step 3:** Applying primer for the entire furniture, by using a spray primer for neat, even coverage. Apply 2 to 3 light coats, allowing primer to dry to the touch between each application.
- **Step 4:** Apply the paint with nice smooth strokes following the natural lines of the pieces. Apply 2 to 3 light coats, allowing each coat to dry to the touch between applications. Check your paint label because drying times vary depending on the product.

3. Disclaimer

- Under certain circumstances, it is possible that during the rainfall wood tannin (colorant) is being released. It occurs very rarely, but it can stain delicate or unsealed patio tiles and clothing. This is the unavoidable effect of colored woods and is not a reason for complaint.

4. Safety

- Due to the expansion and contraction of the wood caused by weather, we recommend retightening all of the hardware two weeks after assembly. Periodic check of all connections and hardware is also advised.

With care and attention your product will give you many years of enjoyment!

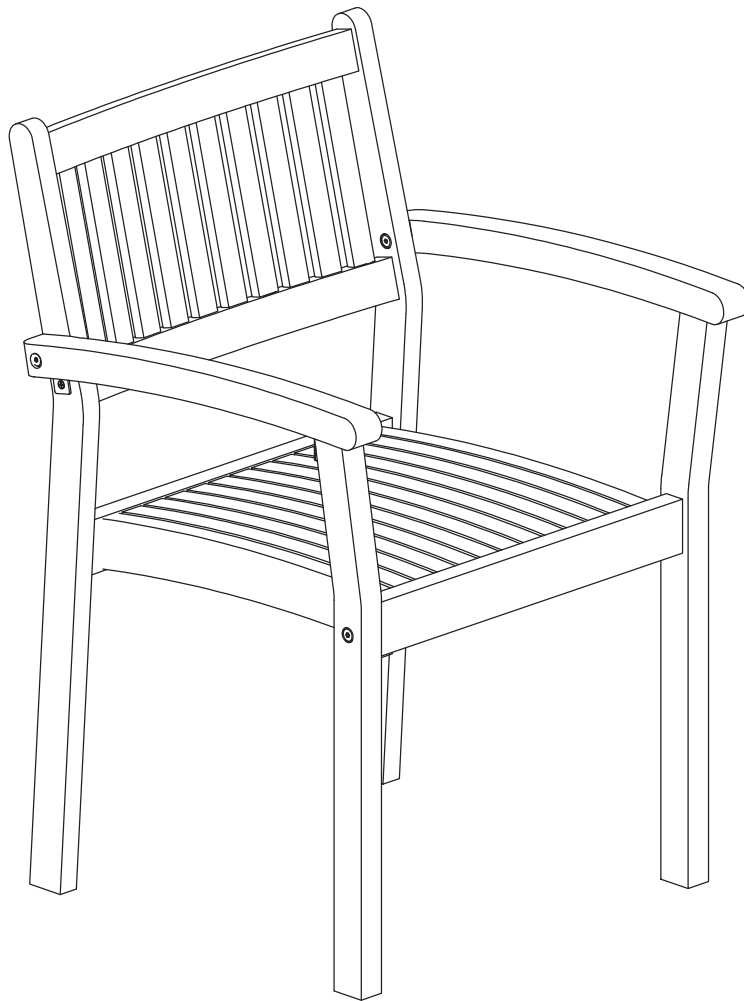
Inclusions

- We guarantee that the product is free from defects in material and workmanship under normal use if installation and maintenance instructions are followed, and normal storage (storage means the condition where the product is not used for the intended purpose).
The warranty period begins on the date of retail purchase by the original end-user buyer. For
- different products and components of products are subject to different warranty periods. On (the pack) you purchased the product can be found in the applicable guarantee.

Exclusions

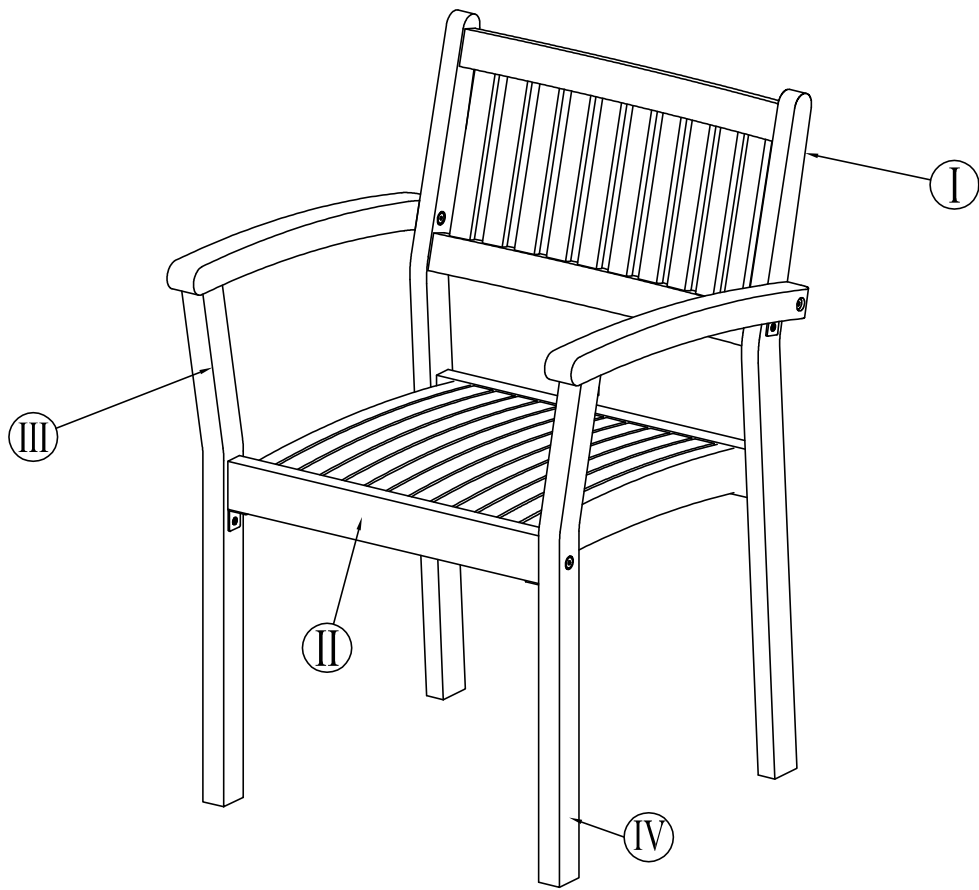
This warranty does not cover:

1. Wear, corrosion, discoloration, and deterioration due to normal use and storage.
2. Damage due to incorrect and/or improper maintenance.
3. Damage caused to the product external causes such as fire, water (vapor, liquid, ice), misapplication, fall, neglect, misuse (including but not limited to use in violation of our instructions) or abuse.



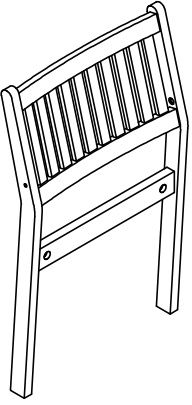
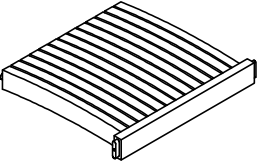
Maximum capacity : 110 kgs/242 Lbs










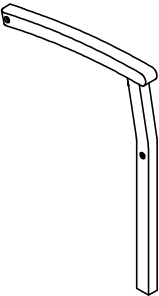
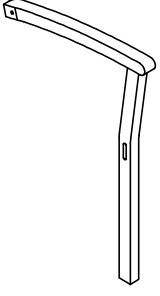


COMPONENTS LIST

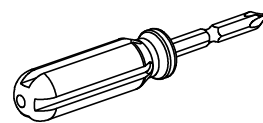
HARDWARE LIST

<p>Ⓘ</p>  <p>Q'TY 2</p>	<p>Ⓜ</p>  <p>Q'TY 2</p>
--	--

A		2	F - Screw 7x70
B		2	F - Screw 7x90
C		2	F - Bolt 8x50
D		2	Sleeve nut 8 x15
E		4	Metal Bracket
F		8	C- Screw 4x20
G		2	Allen Key

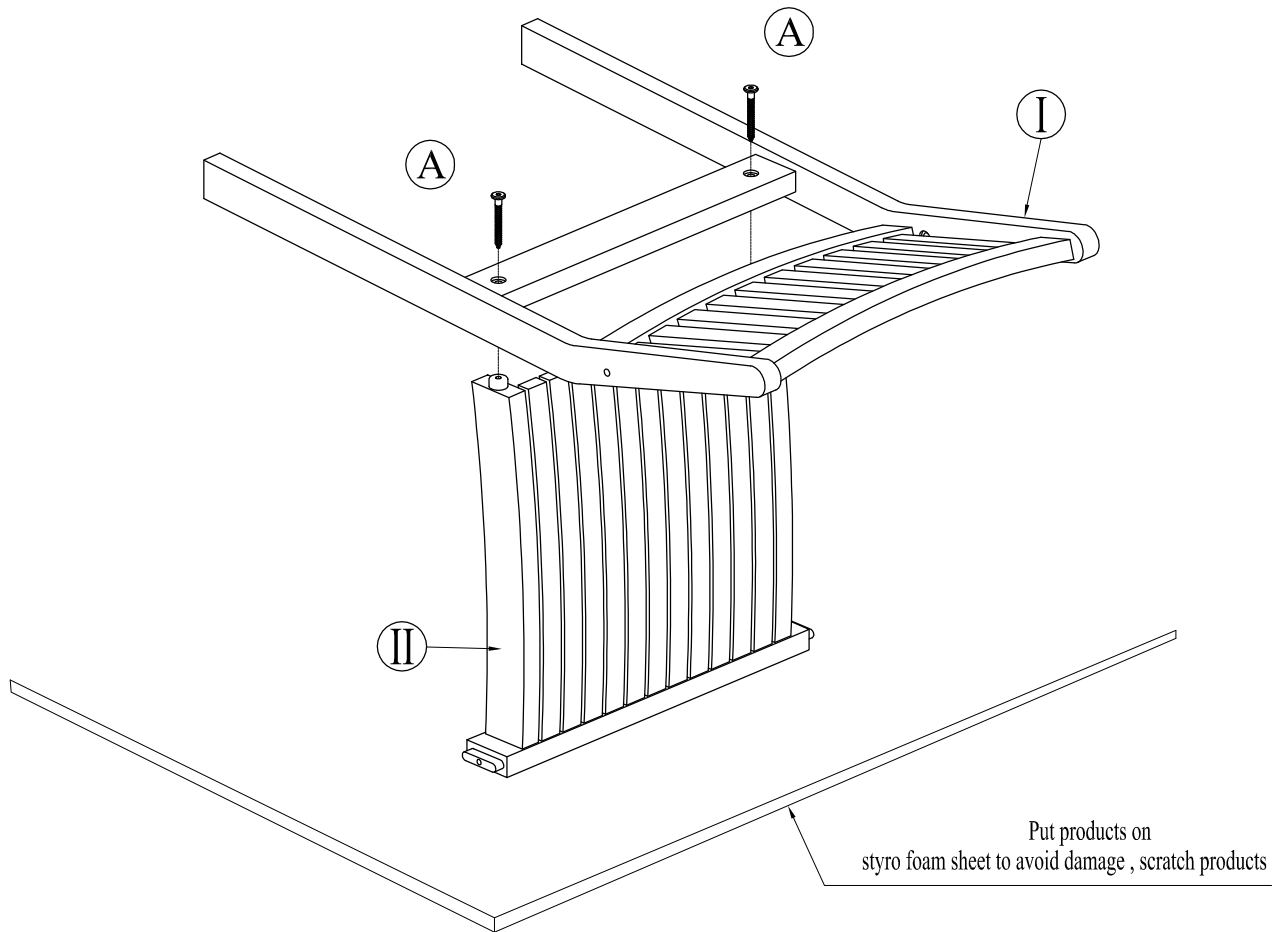
<p>Ⓜ</p>  <p>Q'TY 2</p>	<p>Ⓨ</p>  <p>Q'TY 2</p>
--	--

SUPPORTING TOOLS

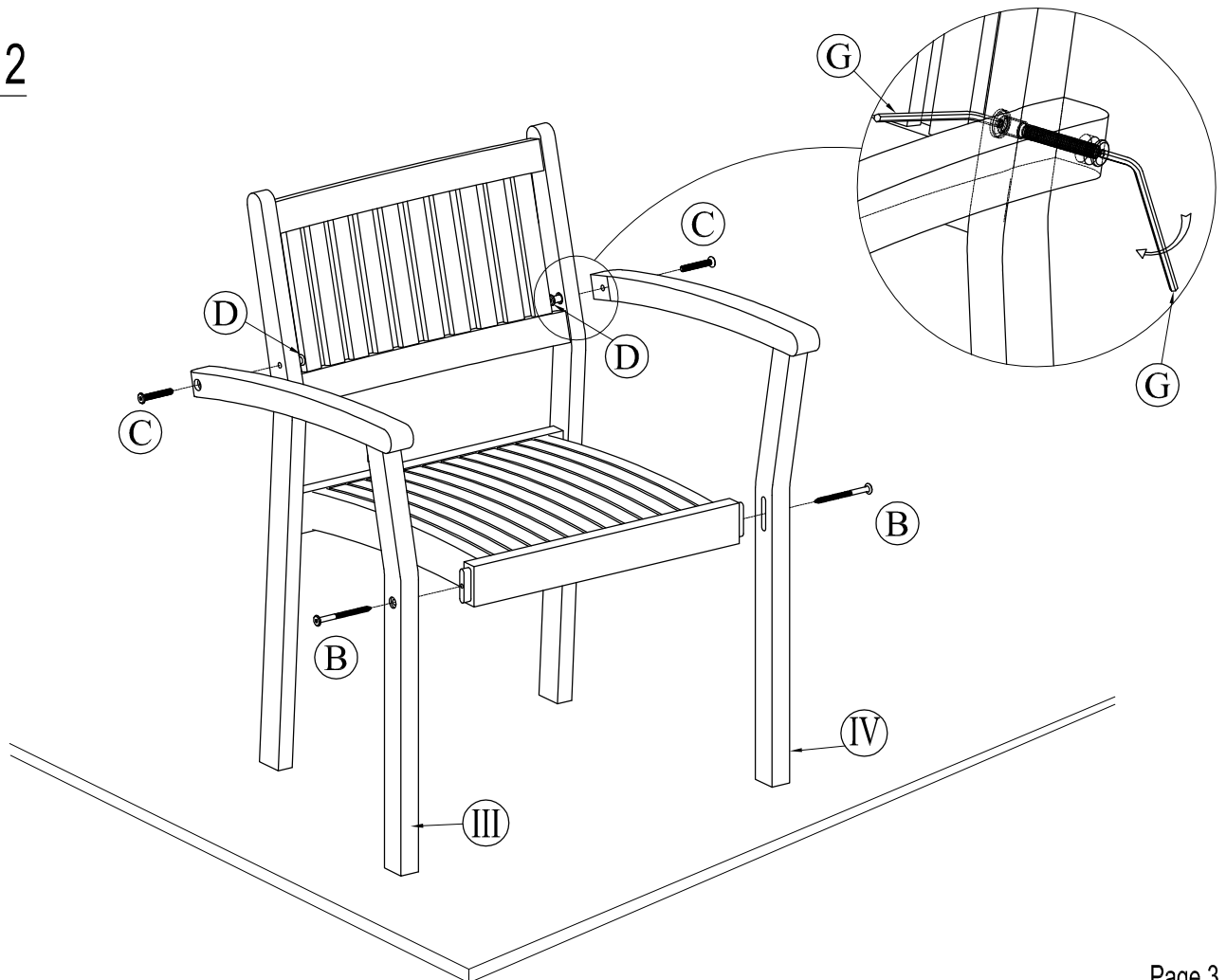


Screw driver

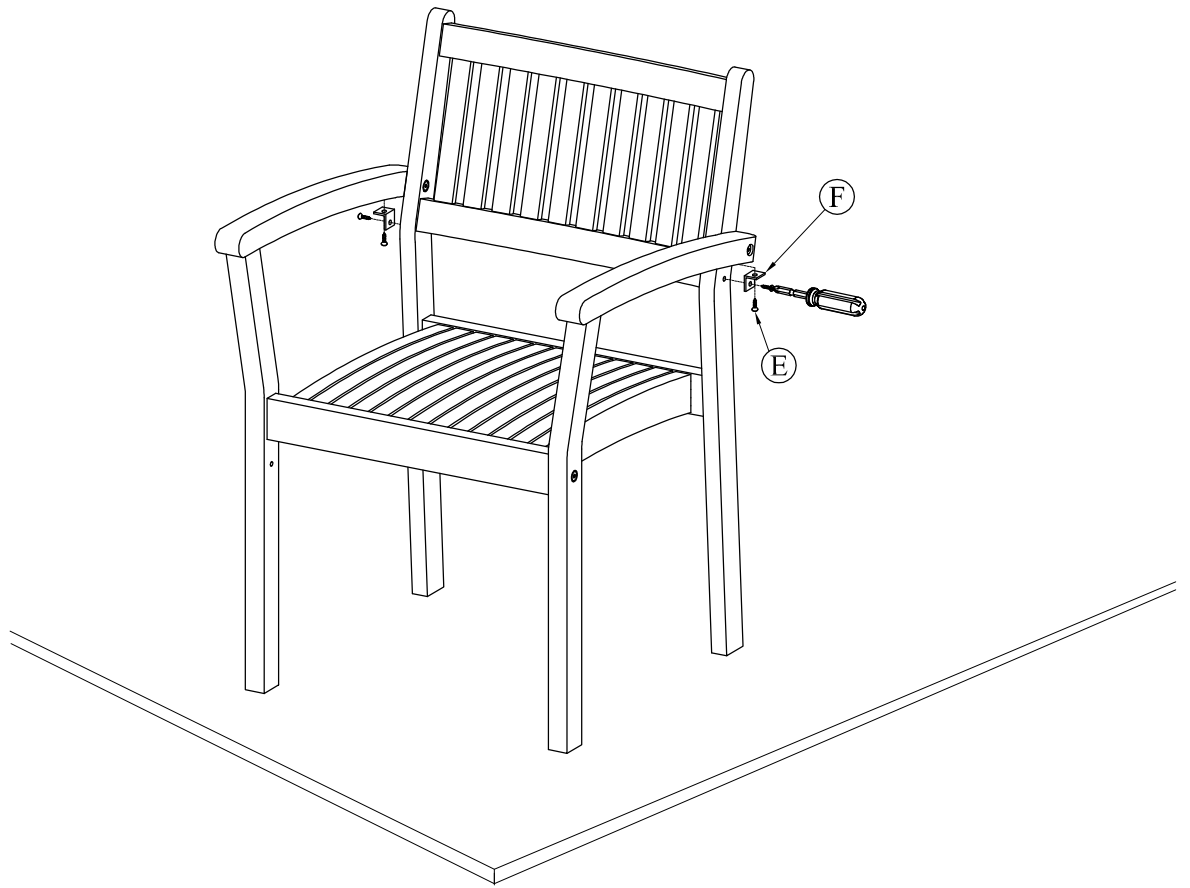
Step 1



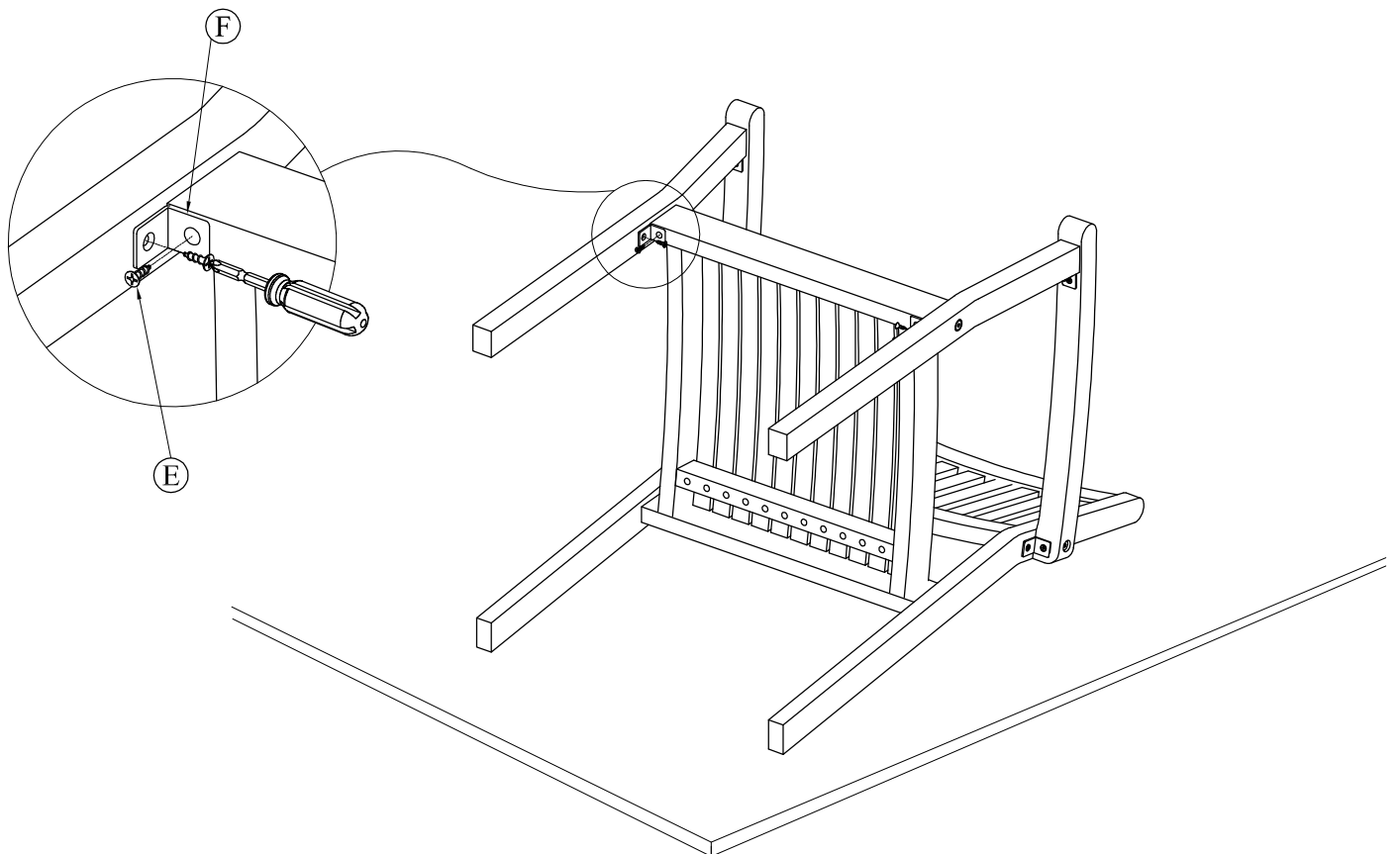
Step 2

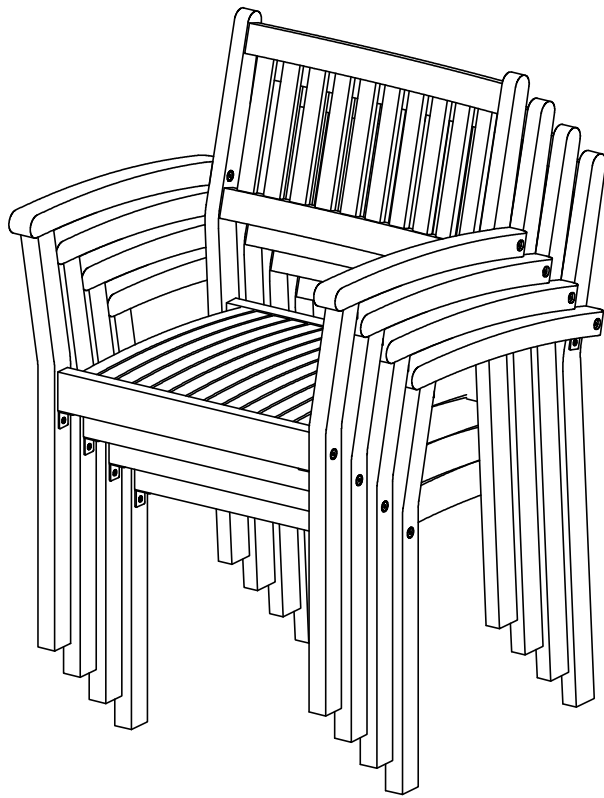
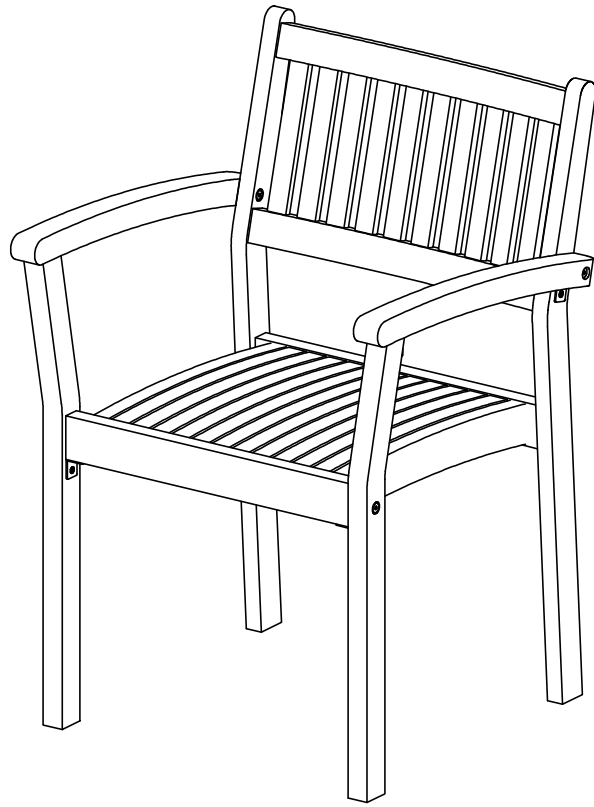


Step 3



Step 4





Warning: To ensure safety in using during please should not stack more than 4 chairs