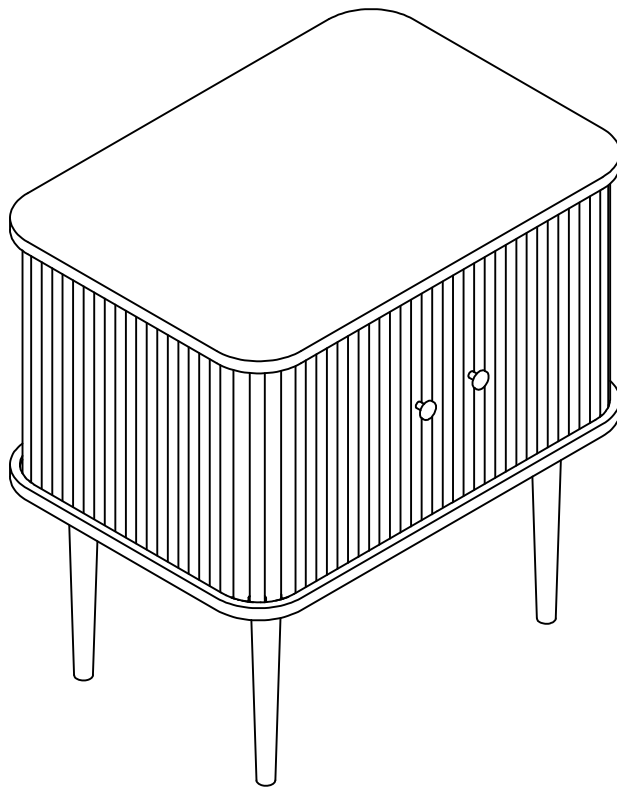


Owner Manual

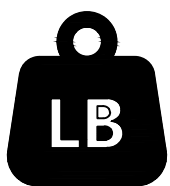


NOTE:

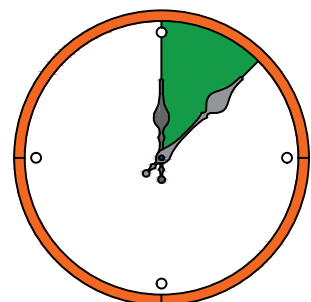
This brochure contains IMPORTANT safety info. Please read and keep for future reference.

MAINTAINANCE AND WARNING

- 1.Keep furniture away from heat sources.
- 2.Do not clean furniture with harsh cleaner or polishes.Do not use detergents,solvents,abrasives,spray packs or leather cleaner. Use non-color mild soa with warm water to clean spills(Mix 1:10 soap to water).
- 3.Do not place furniture under direct sunlight,material will possibly fade over time.
- 4.Do not use on site dry cleaning machine.Children should not climb or jump on the furniture.
- 5.Do not write on furniture that is not protectedby a padded barrier.
- 6.Not for commercial use,only for residential use.

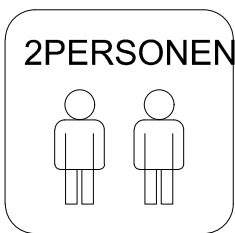
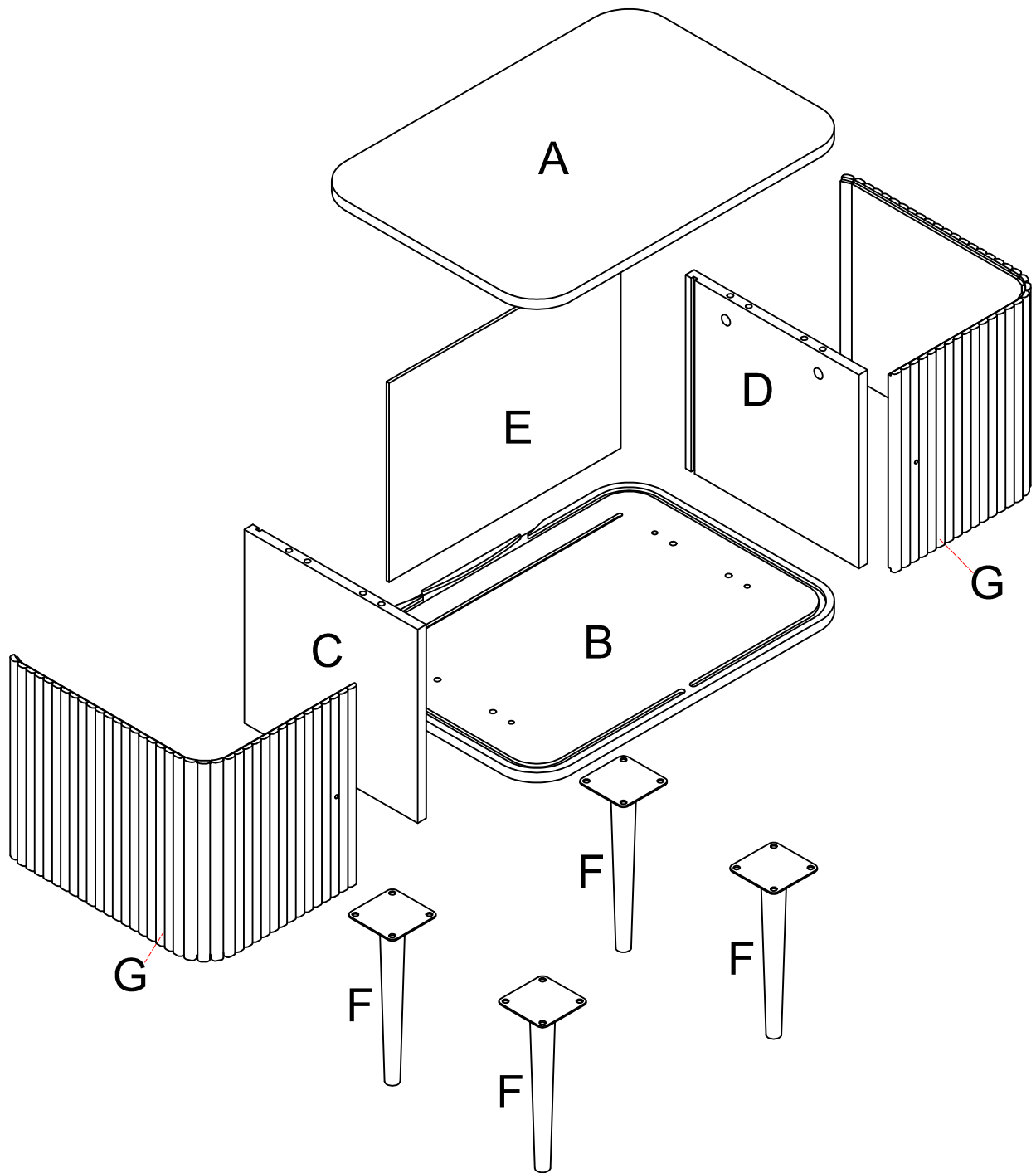


Weight Limitation
80 LBS



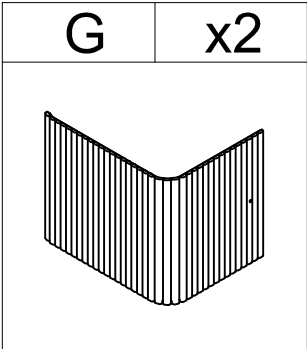
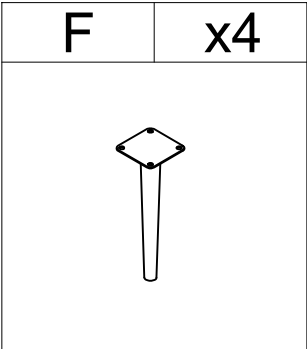
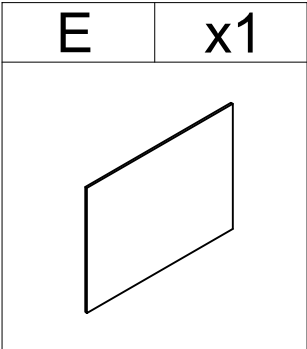
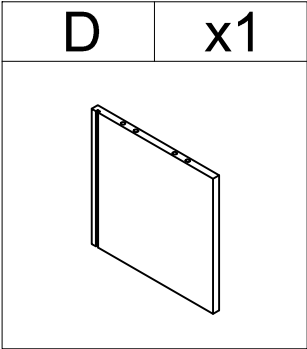
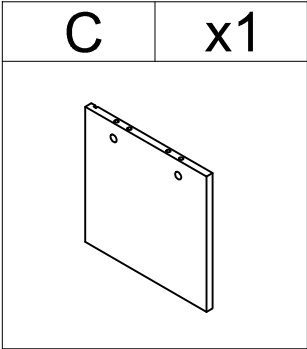
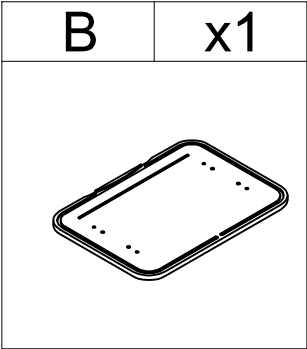
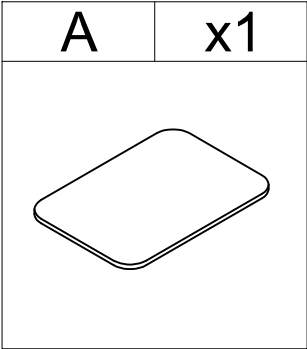
Around **45 min**

EXPLOSIVE VIEW


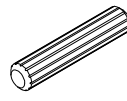
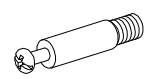
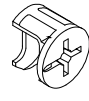
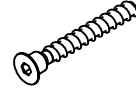

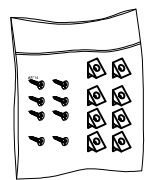
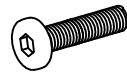
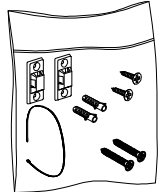




OVERVIEW

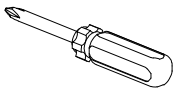

PARTS LIST 1



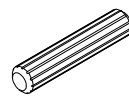
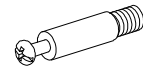
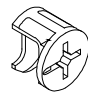
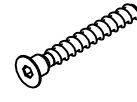

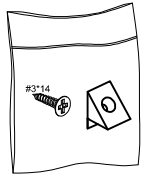
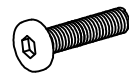
HARDWARE LIST

#1	x2	#2	x8	#3	x4	#4	x4	#5	x4	#6	x4
											
		8x30MM		6x40MM		Ø15*11MM		M6x50MM			
#7	x8	#8	x16	#9	x2	#10	x16	#11	x16		
											
		M6x15mm				M6		M6			

TOOL LIST

#12	x1	#13	x1
			
		M6	

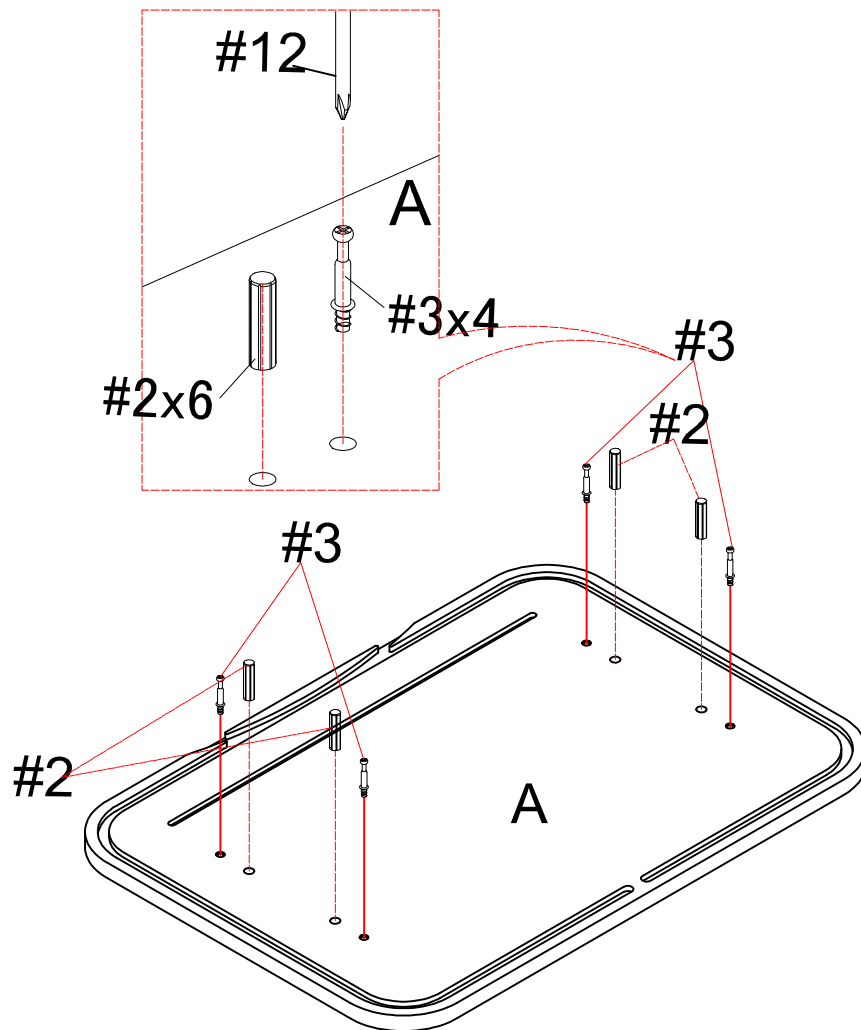
HARDWARE SPARE LIST


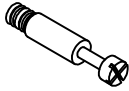
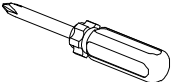
#2	x1	#3	x1	#4	x1	#5	x1	#6	x1	#7	x1
											
8x30MM		6x40MM		Ø15*11MM		M6x50MM					
#8	x2										
											
M6x15mm											

ASSEMBLY INSTRUCTIONS

STEP-1

Insert wood dowel #2 by hand, insert bolt #3 into the corresponding hole in the side plate A, and tighten bolt #3 with a #12. screwdriver.

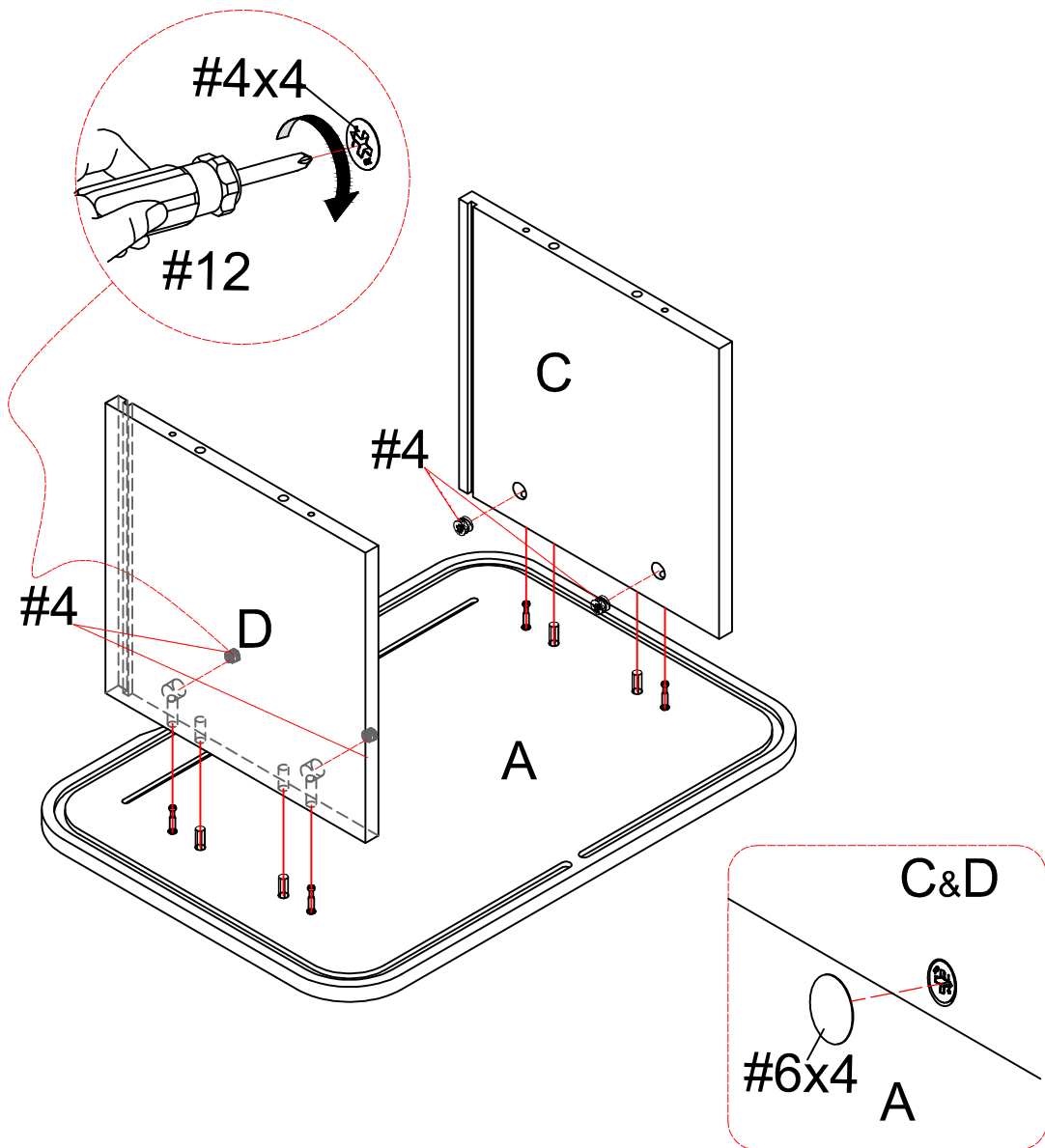




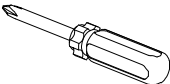
#2	x4	#3	x4	#12	x1
					
8*30MM					

ASSEMBLY INSTRUCTIONS

STEP-2

Connect the part (C&D) with part (A). align the hole in the part (C&D),insert cam bolt #4 into the corresponding hole of side panel (C&D),and tighten the nuts #4 with a screwdriver #12. After installation, Cover the two screw holes in the(C&D) side panel with lap tape # 6.

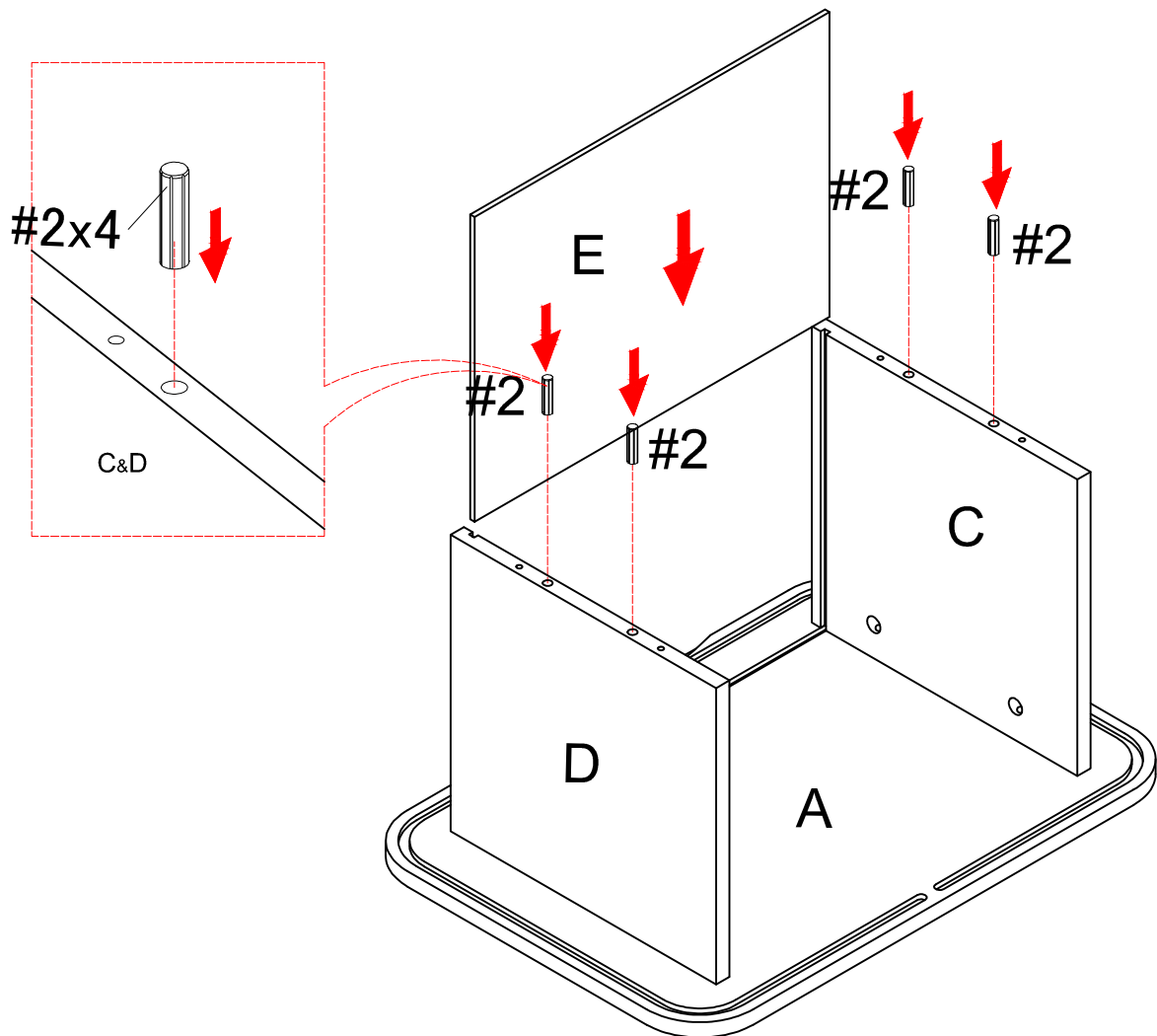



#4	x4	#6	x4	#12	x1
					
Ø15*12.5MM					

ASSEMBLY INSTRUCTIONS

STEP-3

Carefully align and slide panel (E) into the groove along rear edge of pre-assemble step 2, and then insert wooden dowel #2 into the corresponding hole of panel (C&D).



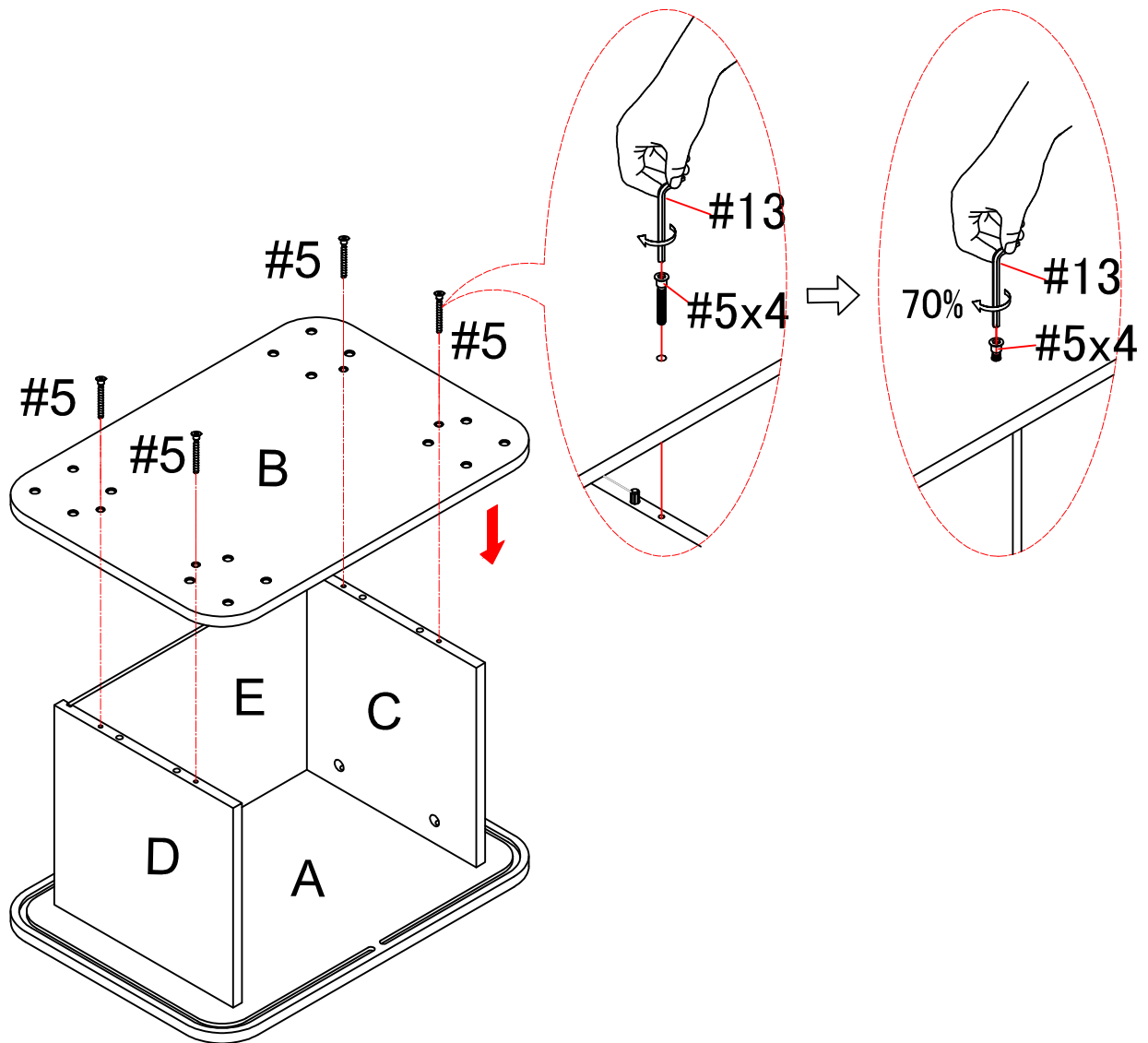
#2	x4
	
8*30MM	

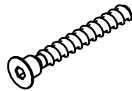

08/18

ASSEMBLY INSTRUCTIONS

STEP-4

Insert bottom panel (B) into preassemble step 3, make sure all hole aligned and then use bolt #5 to attach them, tighten bolt # 5 with allenkey #13 wrench to a depth of 70%

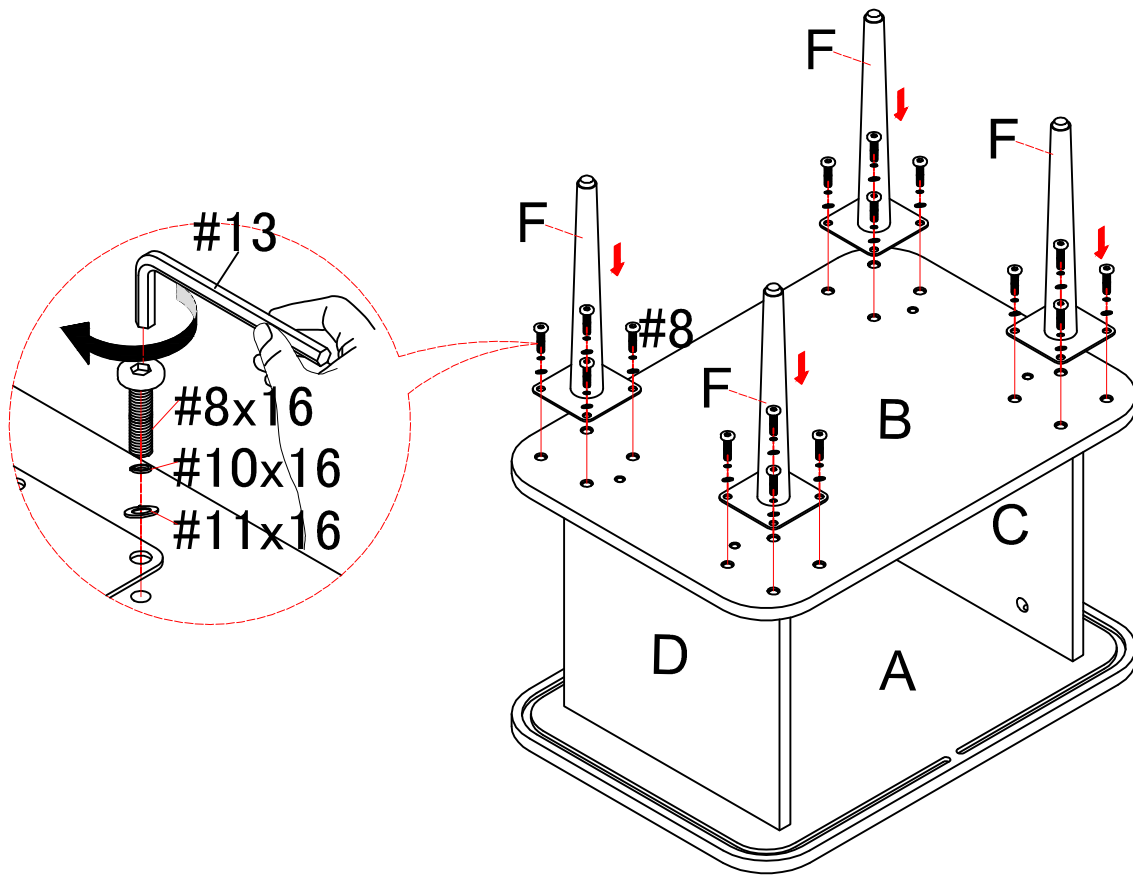


#5	x4	#13	x1
			
M6x50MM		M6	

ASSEMBLY INSTRUCTIONS

STEP-5

Insert gasket #10 and #11 in sequence into screw #8, Insert part (F) into the corresponding position of panel (B), and then use flat bolt #8 to attach part (F) to part (B), make sure all holes aligned and tighten all bolts with screwdriver #13.

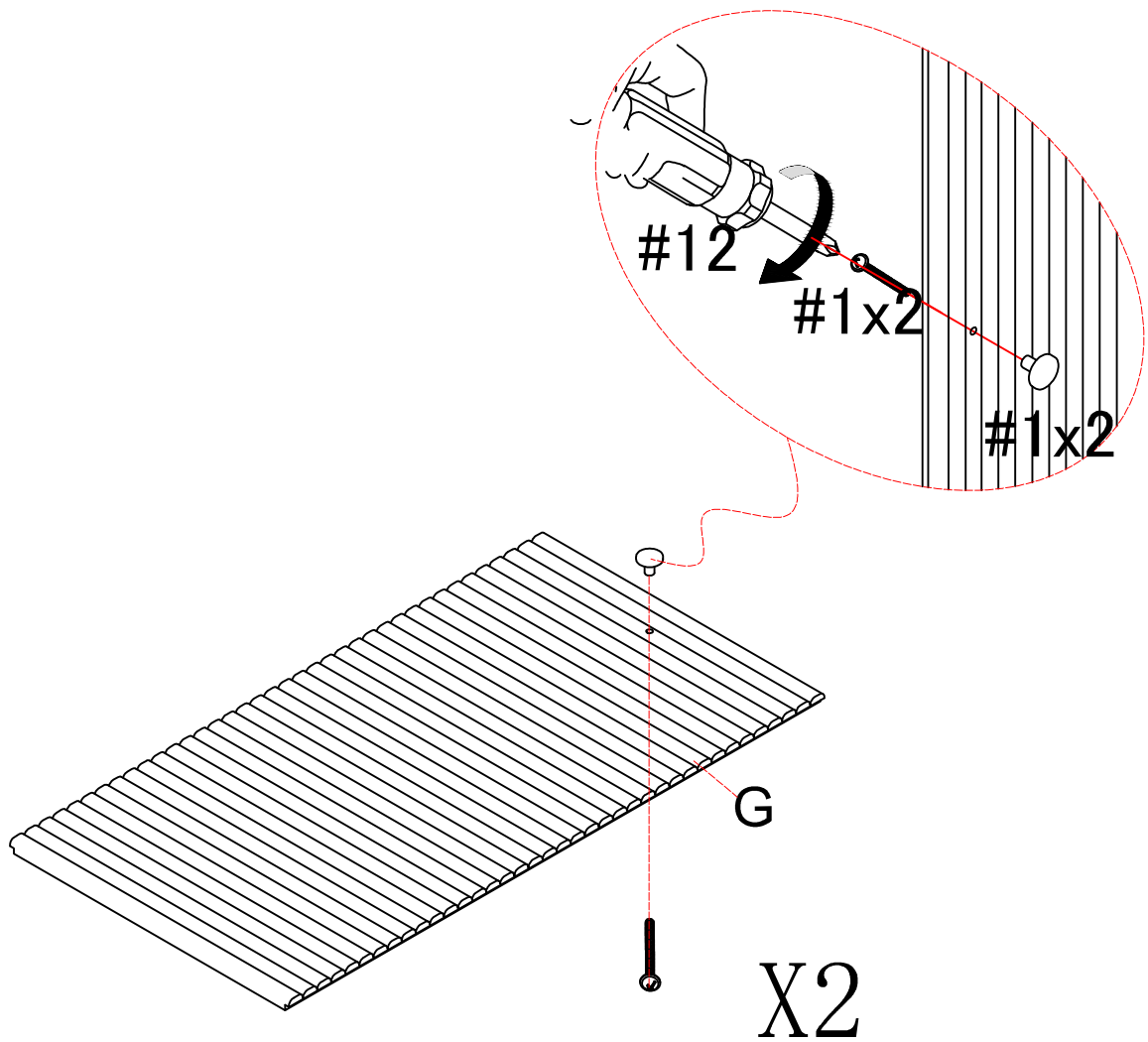



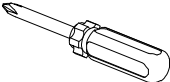
#10	x16	#11	x16	#8	x16	#13	x1
M6		M6		M6x15mm		M6	

ASSEMBLY INSTRUCTIONS

STEP-6

Use bolt #1 to attach handle #1 to drawer front(G), tighten bolts #1 with screwdriver #12.



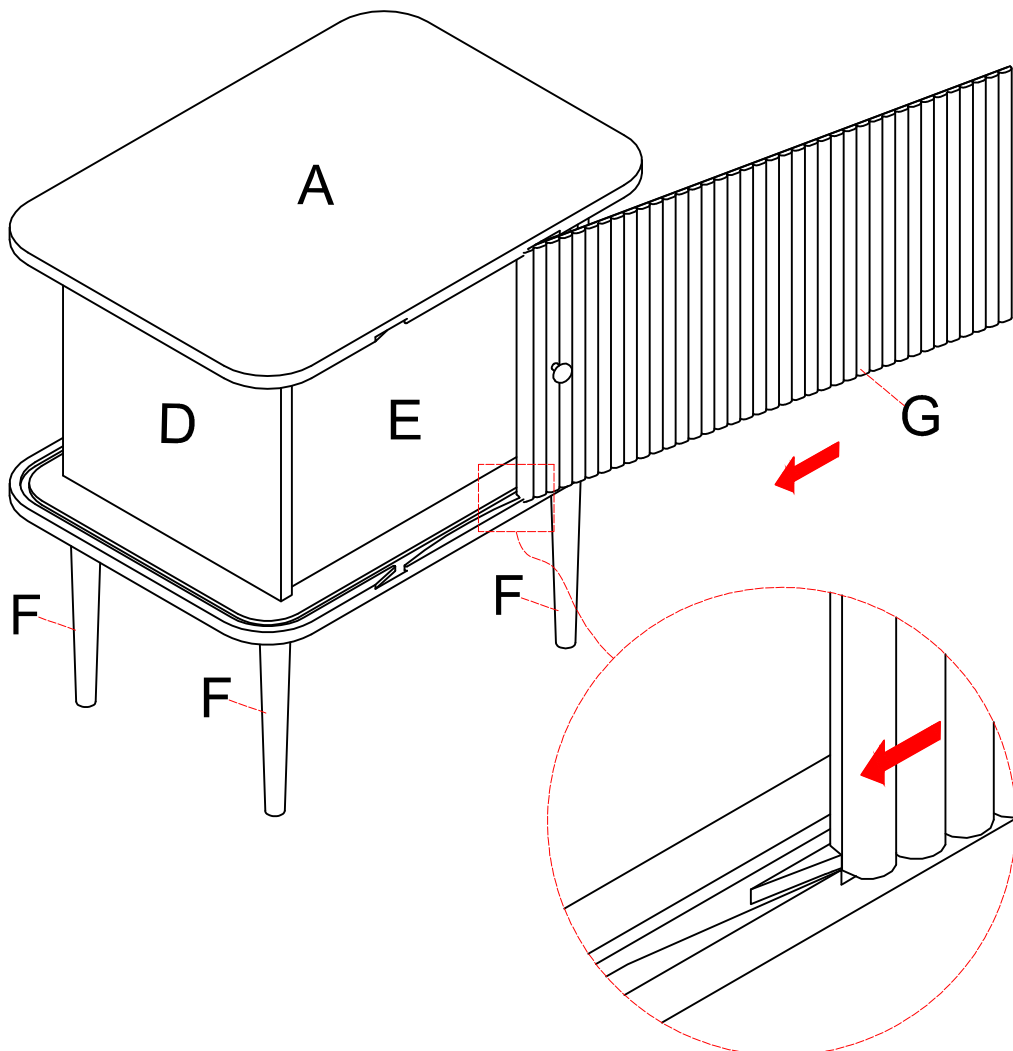
#1	x2	#12	x1
			

ASSEMBLY INSTRUCTIONS

STEP-7

Carefully align and slide panel (G) into the groove along rear edge of pre-assembly .

The white particles in the cabinet are not dust, but wax.

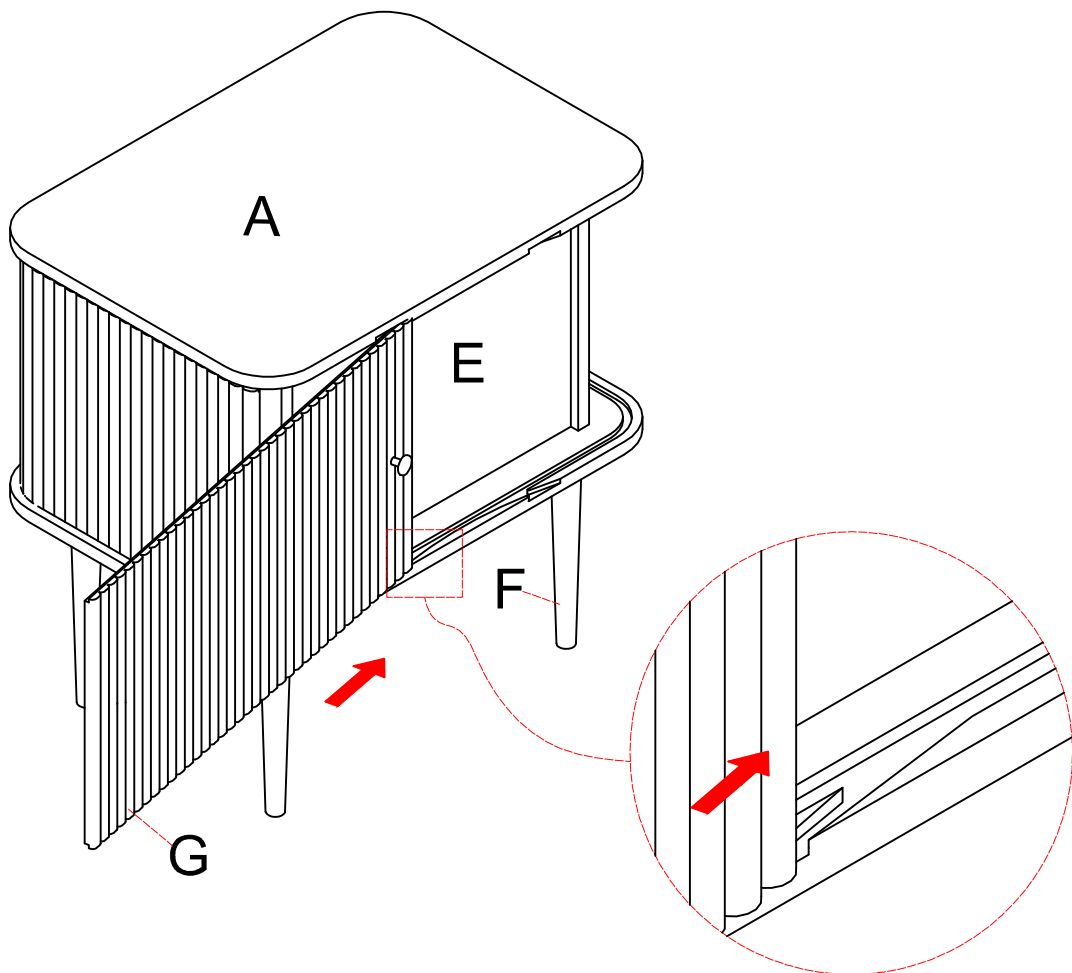


ASSEMBLY INSTRUCTIONS

STEP-8

Carefully align and slide panel (G) into the groove along rear edge of pre-assembly .

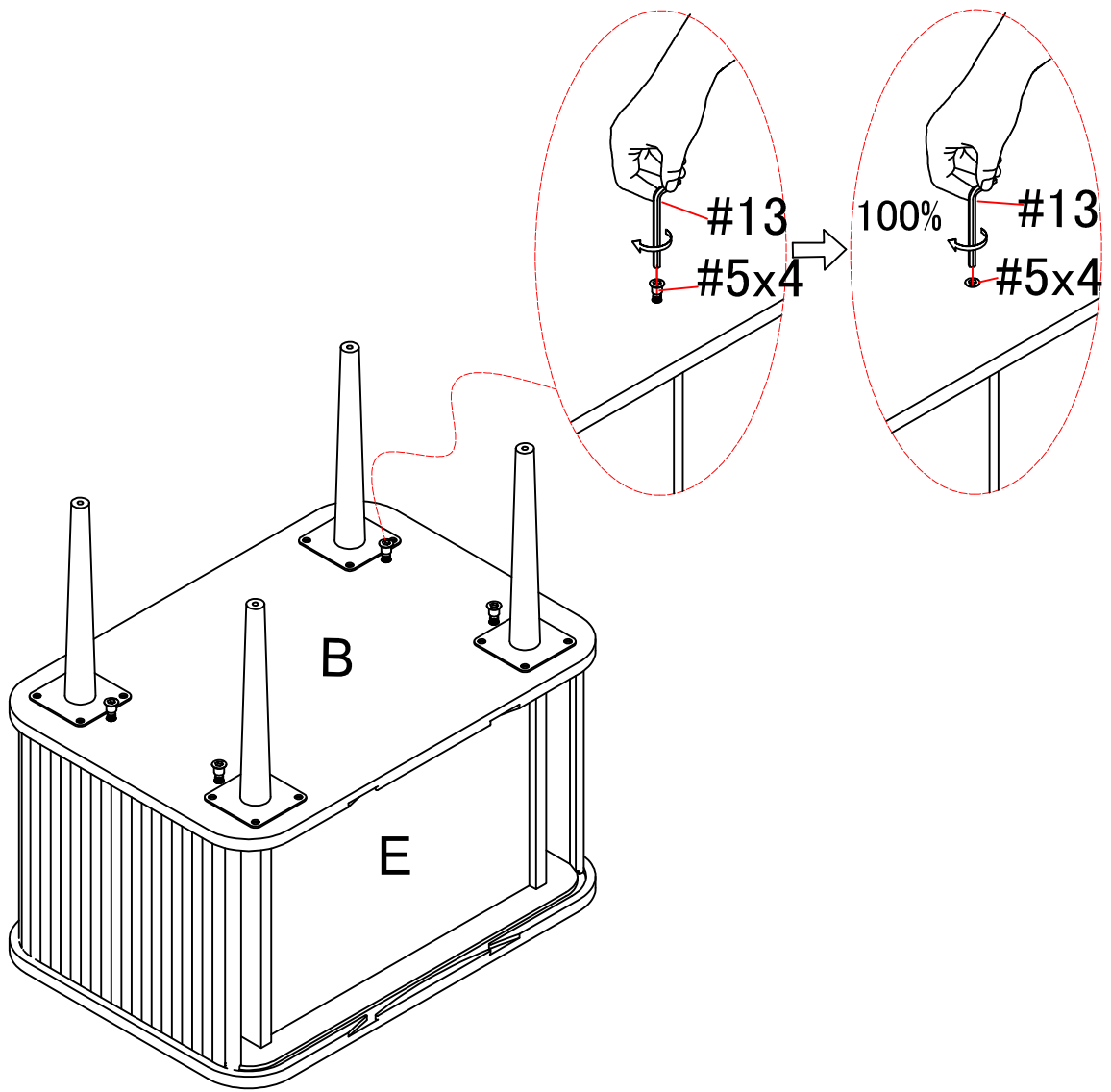
The white particles in the cabinet are not dust, but wax.




ASSEMBLY INSTRUCTIONS

STEP-9

Tighten bolt #5 with allenkey #13.

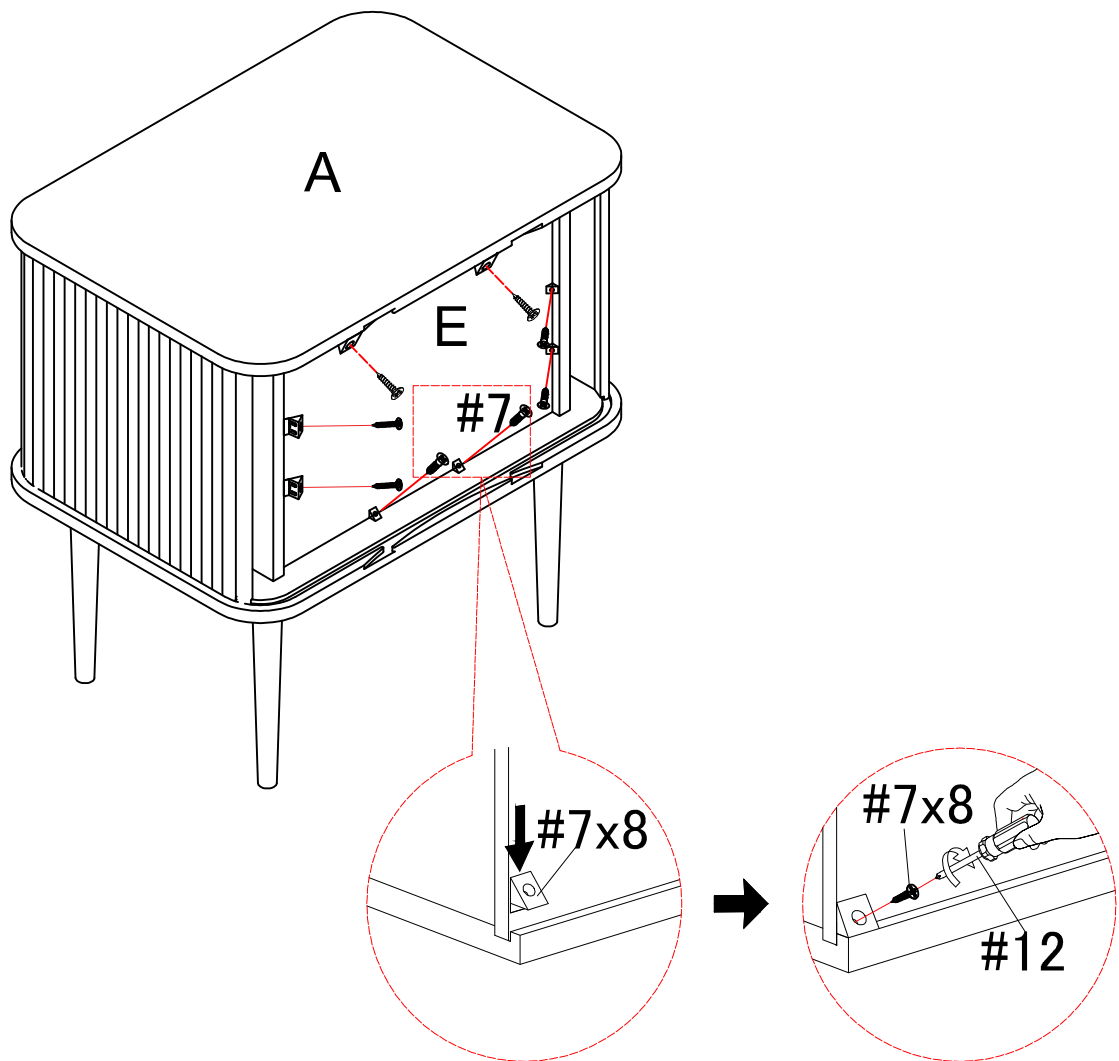


#13	x1
	
M6	

ASSEMBLY INSTRUCTIONS

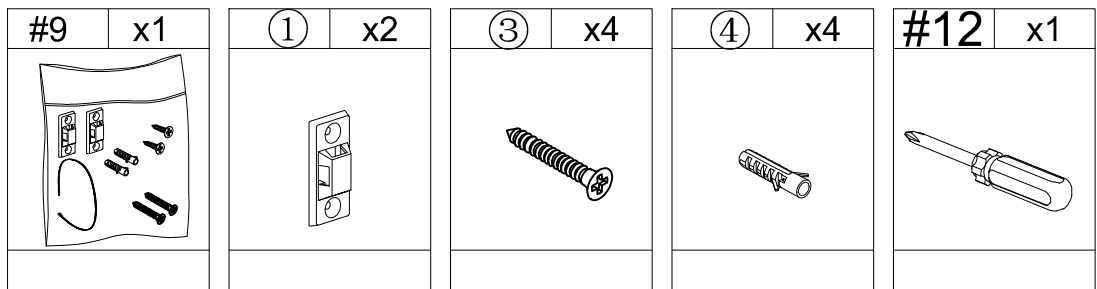
STEP-10

Use screw #7 to attach part #7 to bottom panel(A)&(B)&(C)&(D),tighten screw #7 with screwdriver #12.



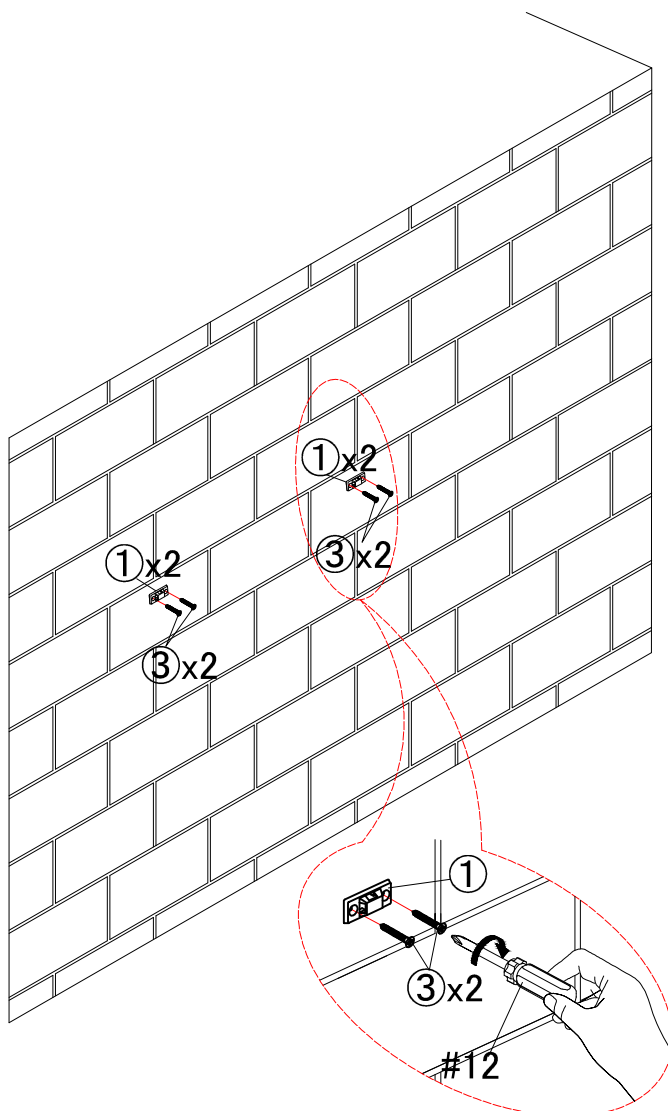
#7	x8	#12	x1

ASSEMBLY INSTRUCTIONS

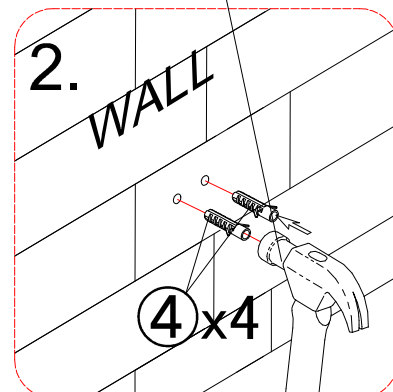
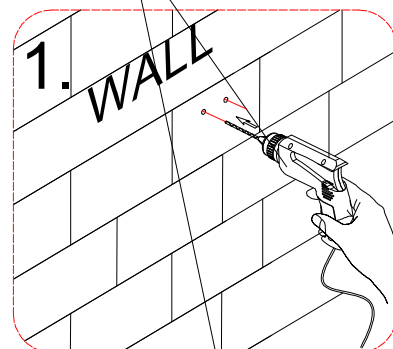


STEP-11

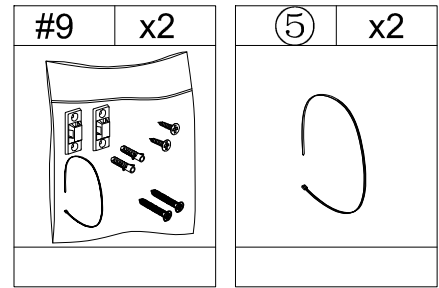
1. Mark the position on the wall, that corresponds to the location of bracket ① on the panel A; Drill and insert the expandable screw ④ by hammer.
2. Assemble the bracket ① to the wall. Align the hole in the bracket ① with the expandable screw ④, use screw ③ to attach it, tighten screw ③ with screwdriver #12



NOT PROVIDED

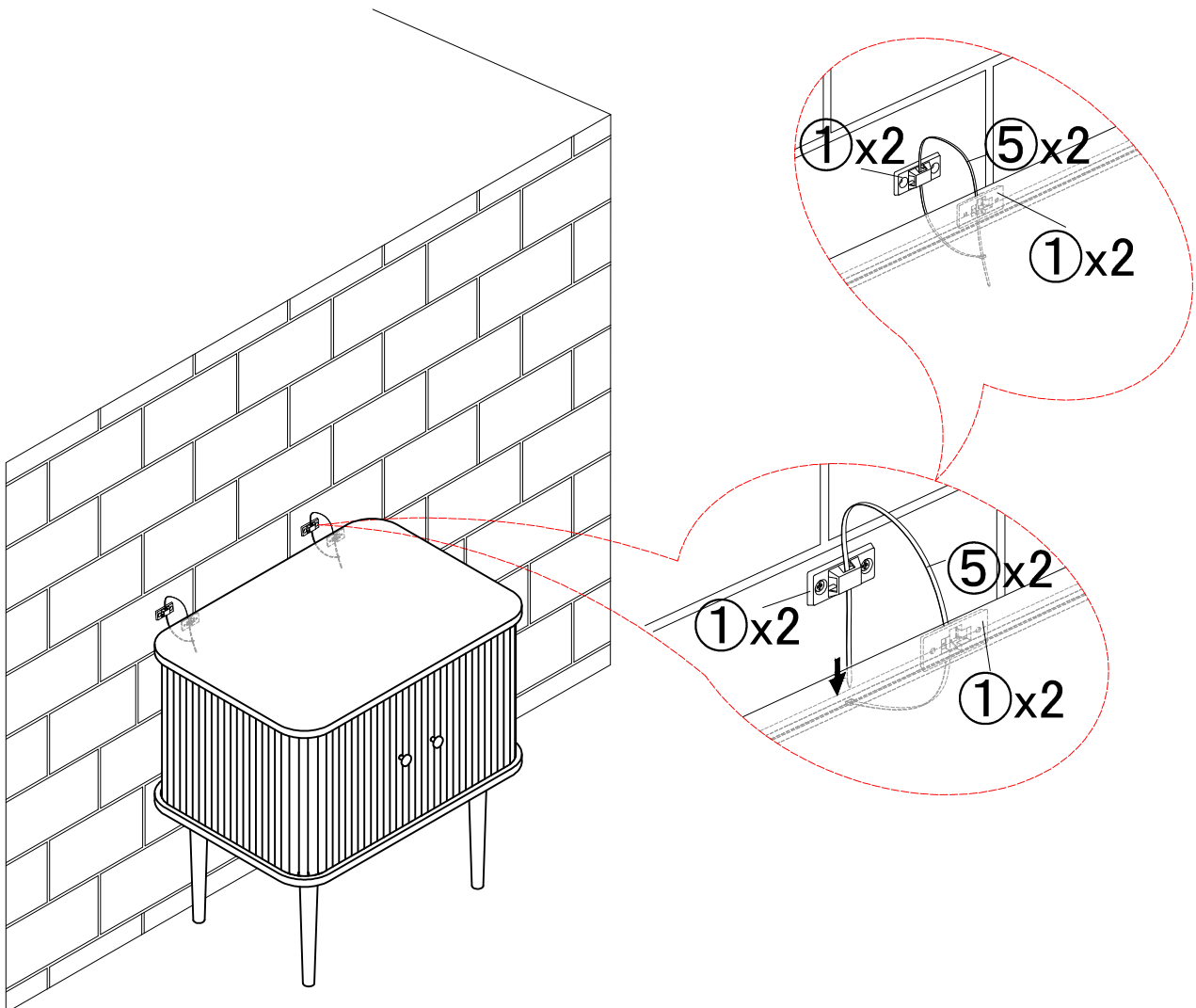


ASSEMBLY INSTRUCTIONS



STEP-12

3. Let the plastic belt ⑤ pass through bracket ① and pull tightly.



WARRANTY

1. We strive to offer high-quality products, and we also try our best to satisfy each and every customer that orders from us with product or service as needed.
2. We provide 30 days warranty starting from the time you receive the item. Each customer must provide a record of their order such as the order number, or item receipt for any items that are out of the warranty period you may also still receive.
3. Replacement parts by purchasing them with our company if they are available.

Appreciate your purchasing from us.
Pop up your life by our furniture piece!