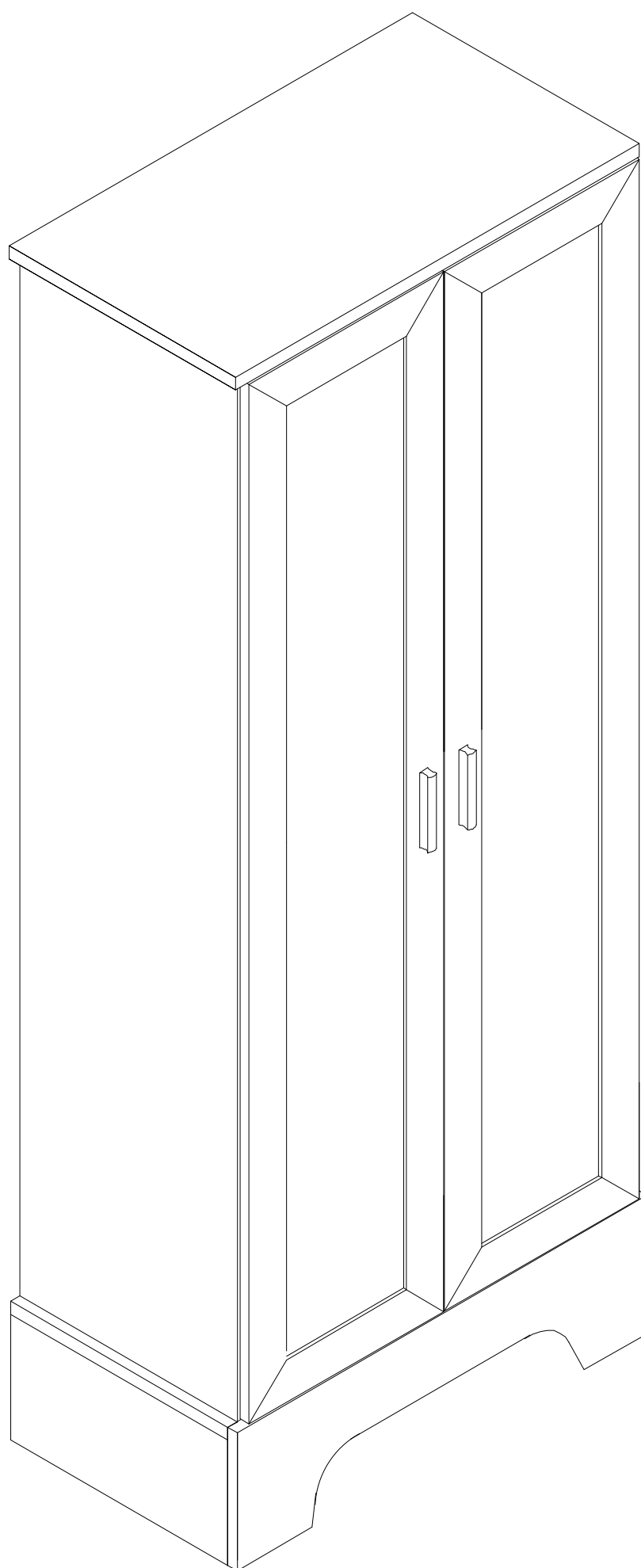
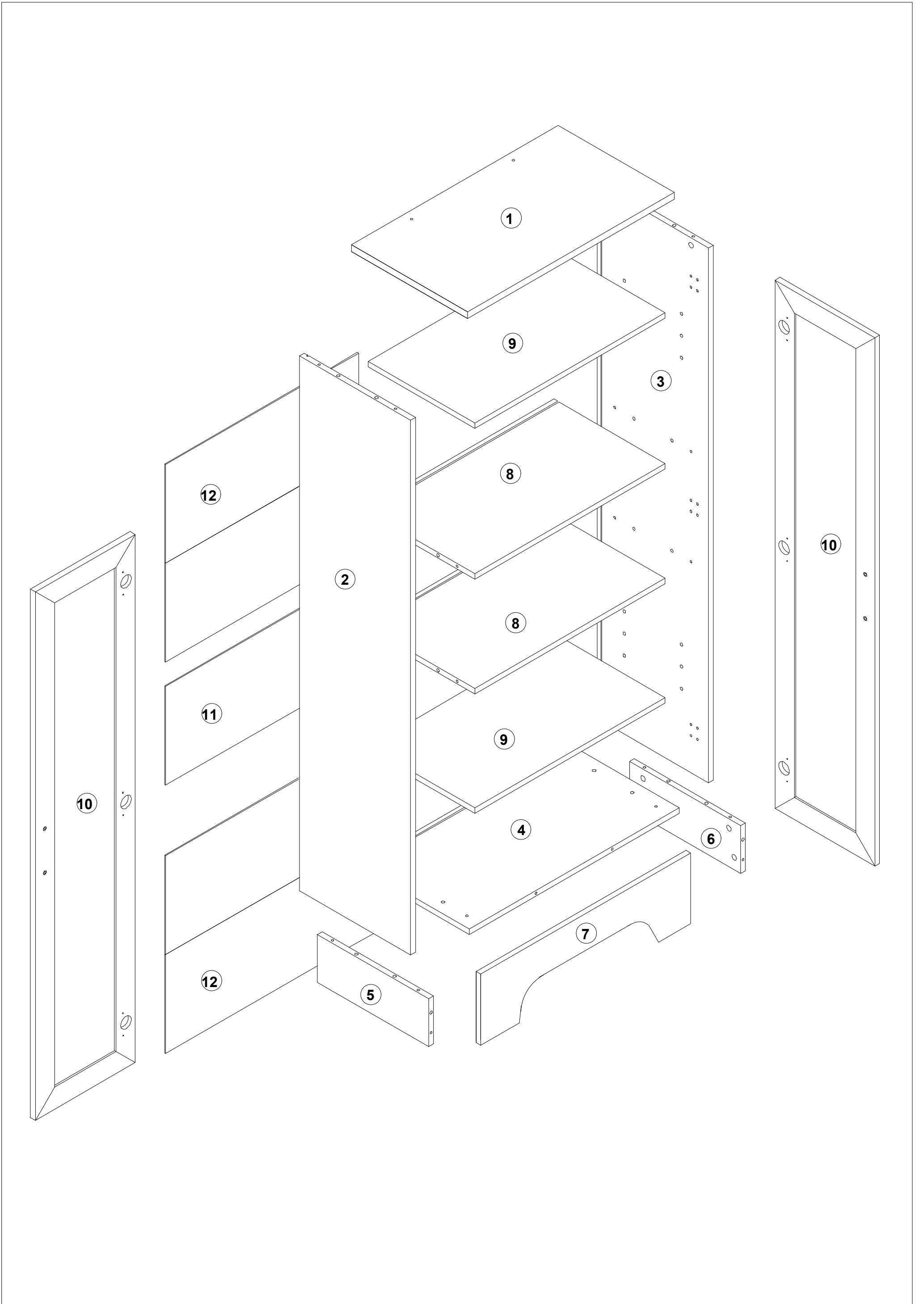
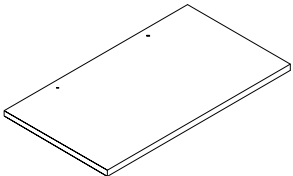
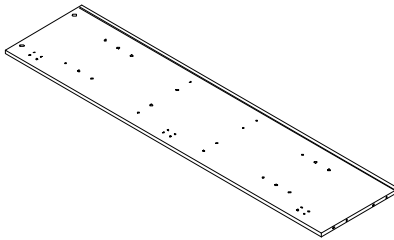
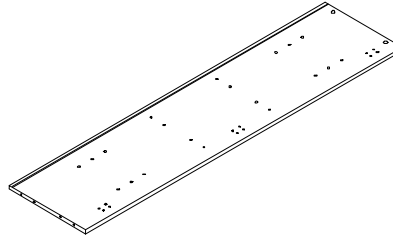
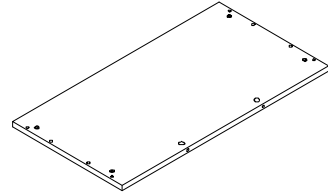
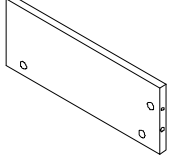
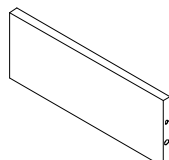
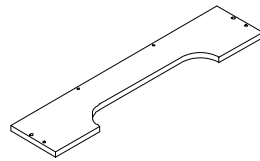
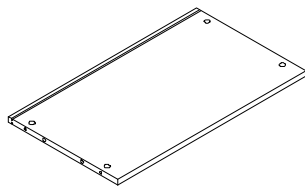
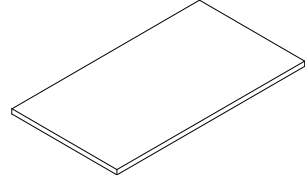
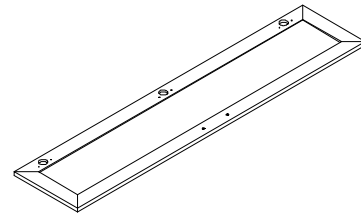
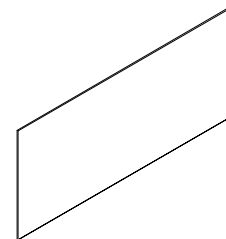
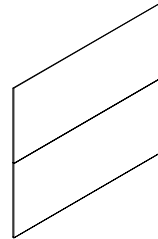
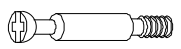

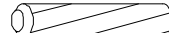


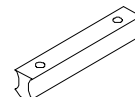
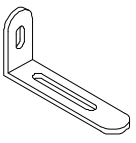
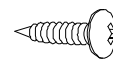
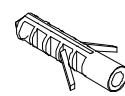
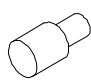
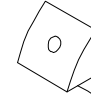
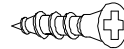
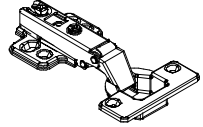
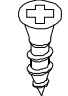
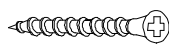


ASSEMBLY INSRTRUCTION

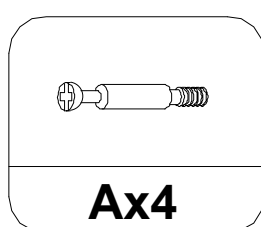
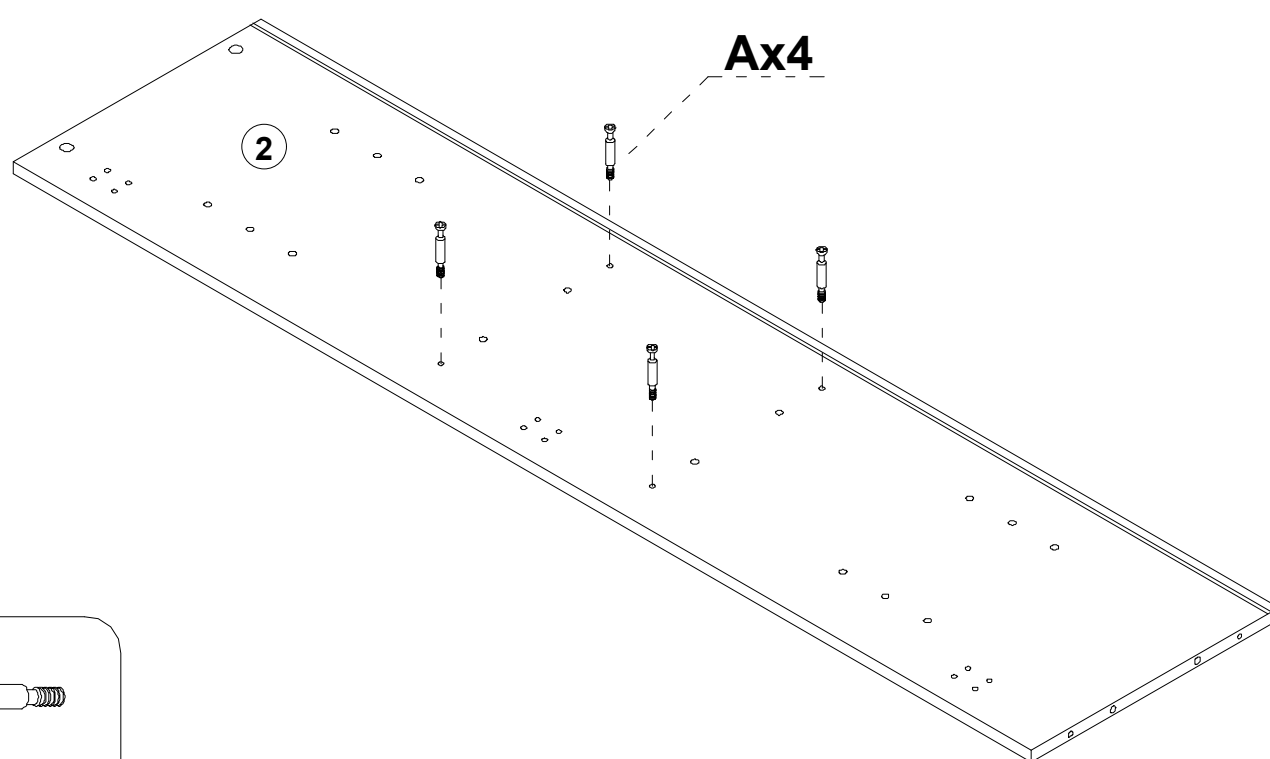




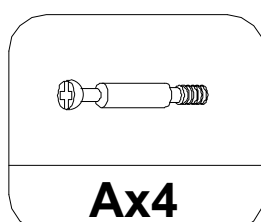
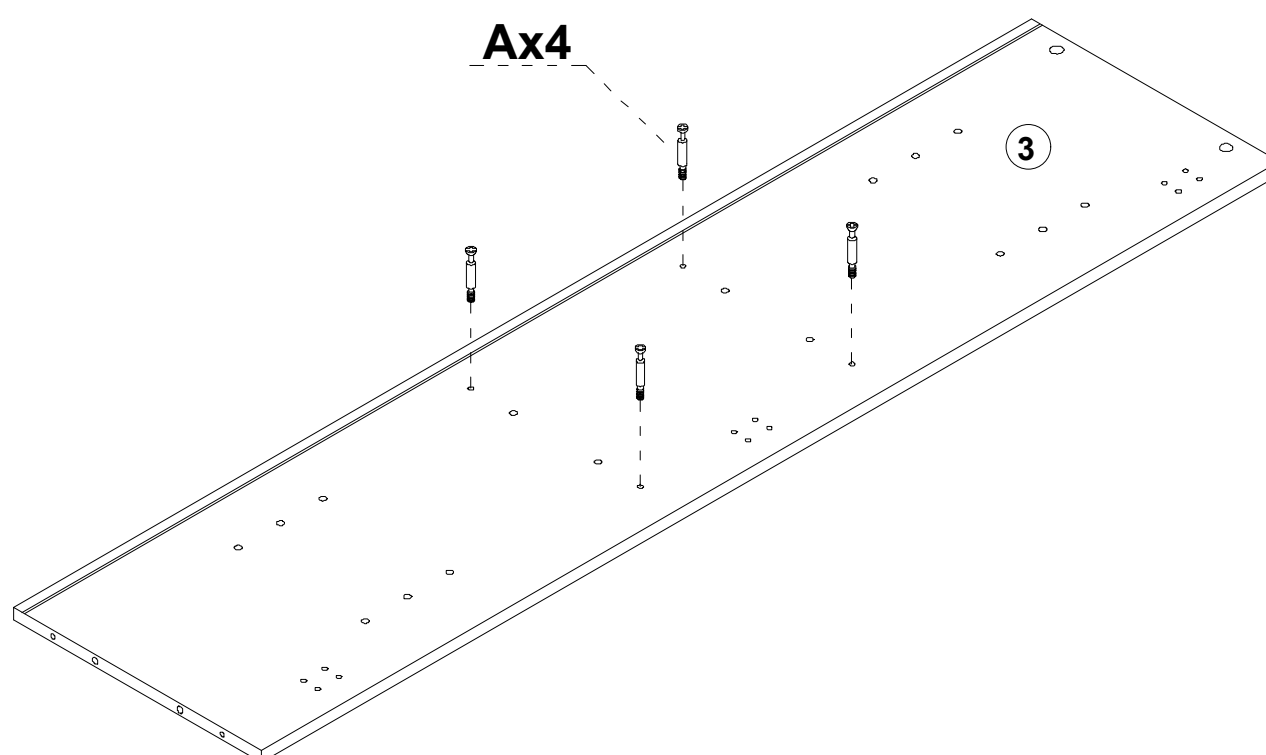
			
① x 1	② x 1	③ x 1	④ x 1
			
⑤ x 1	⑥ x 1	⑦ x 1	⑧ x 2
			
⑨ x 2	⑩ x 2	⑪ x 1	⑫ x 2

					
A x20+1	B x20+1	Φ 6x30mm C x22+1	Φ 5x45mm Dx4	Φ 4x16mm E x4	F x2
					
G x2	Φ 4x12mm H x2	I x2	J x8+1	K x20+1	Φ 3x14mm L x20+1
					
Mx6	Φ 4x14mm N x36+1	Φ 4x35mm O x2			

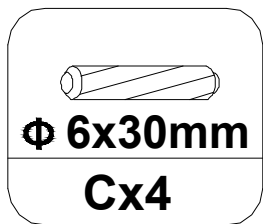
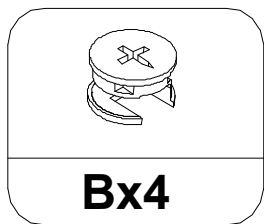
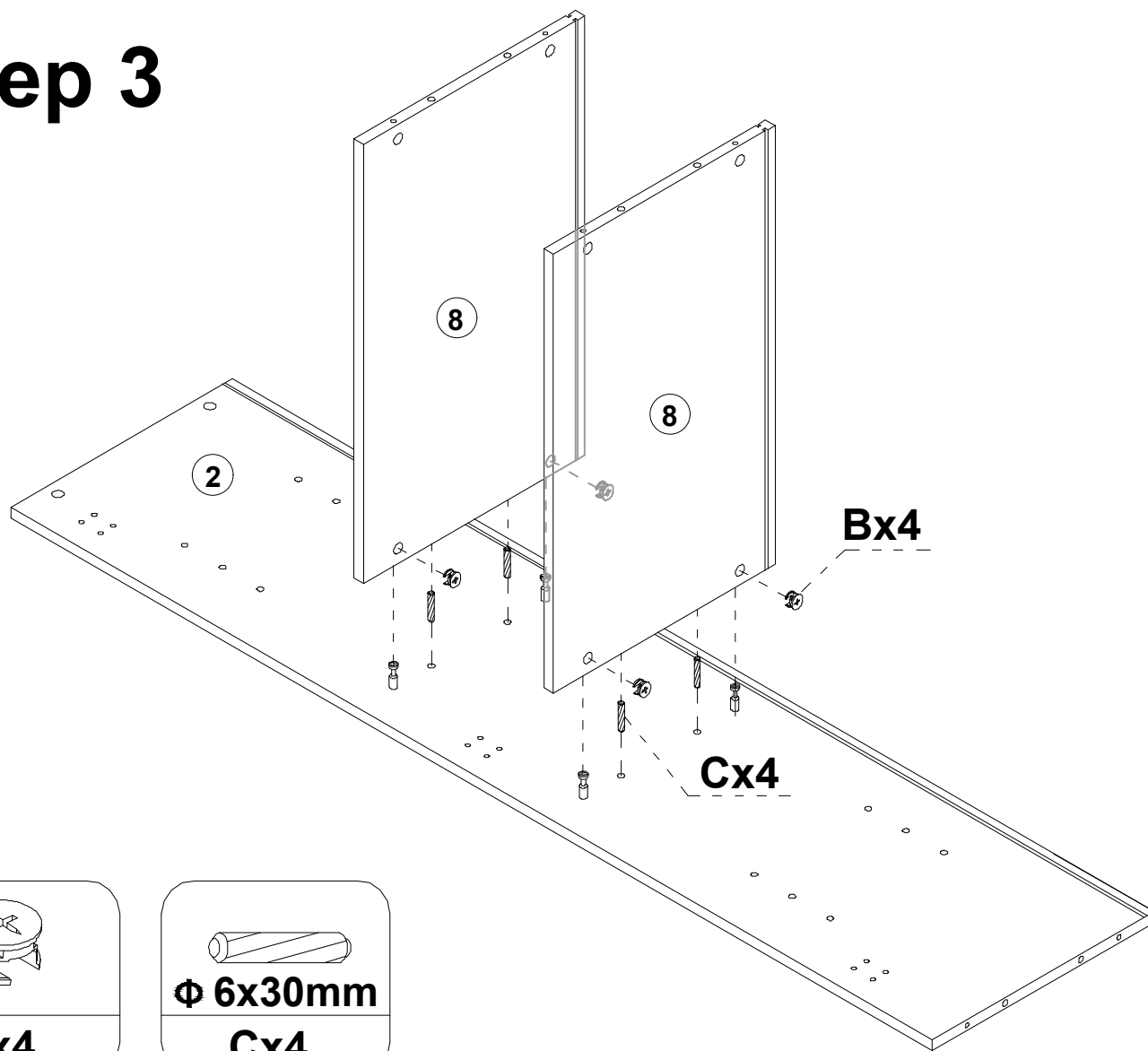
Step 1



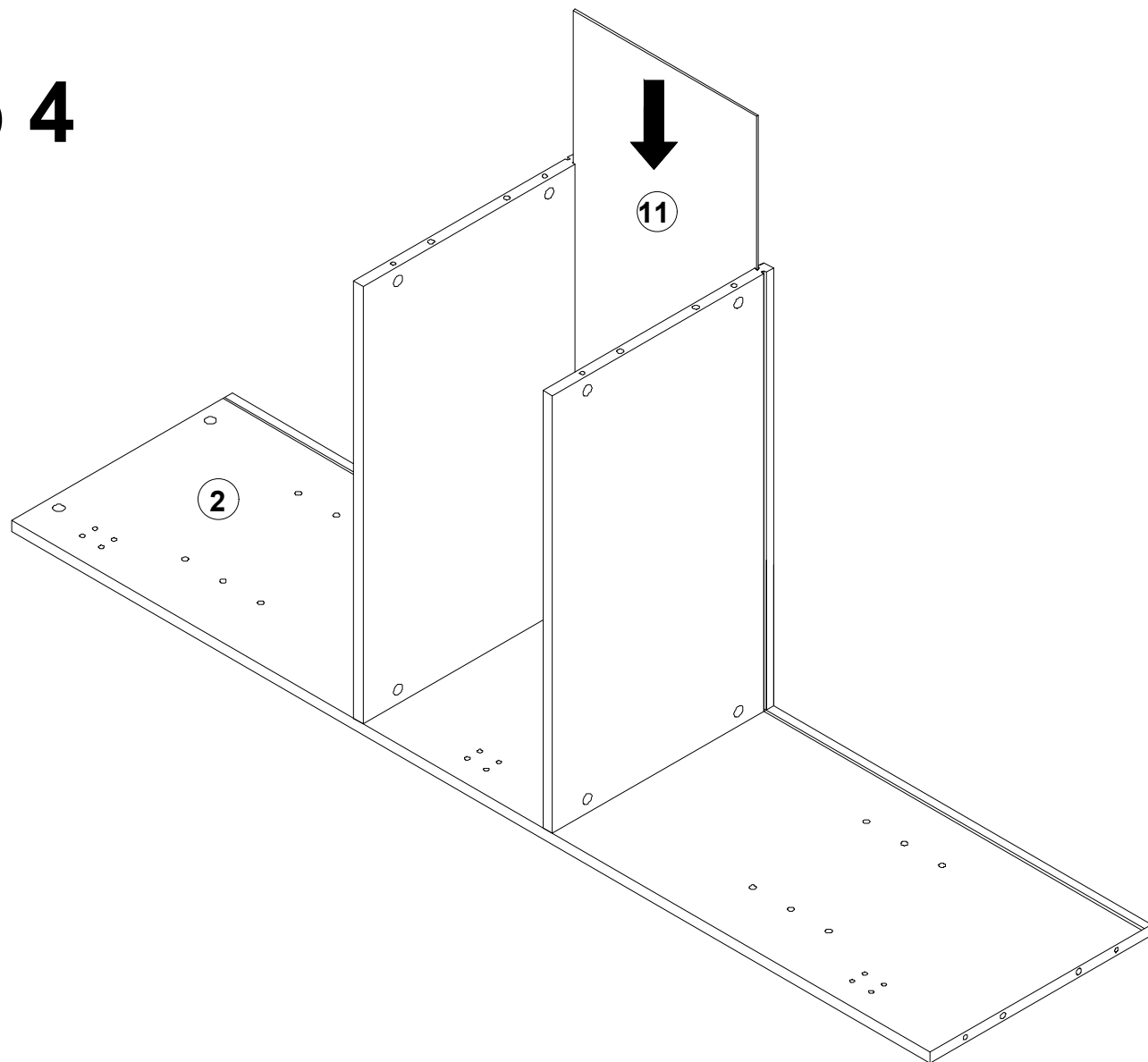
Step 2



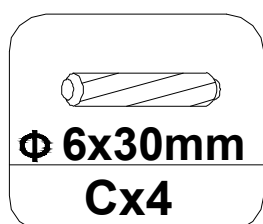
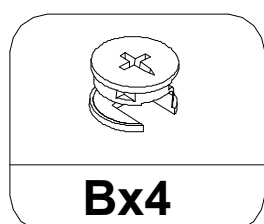
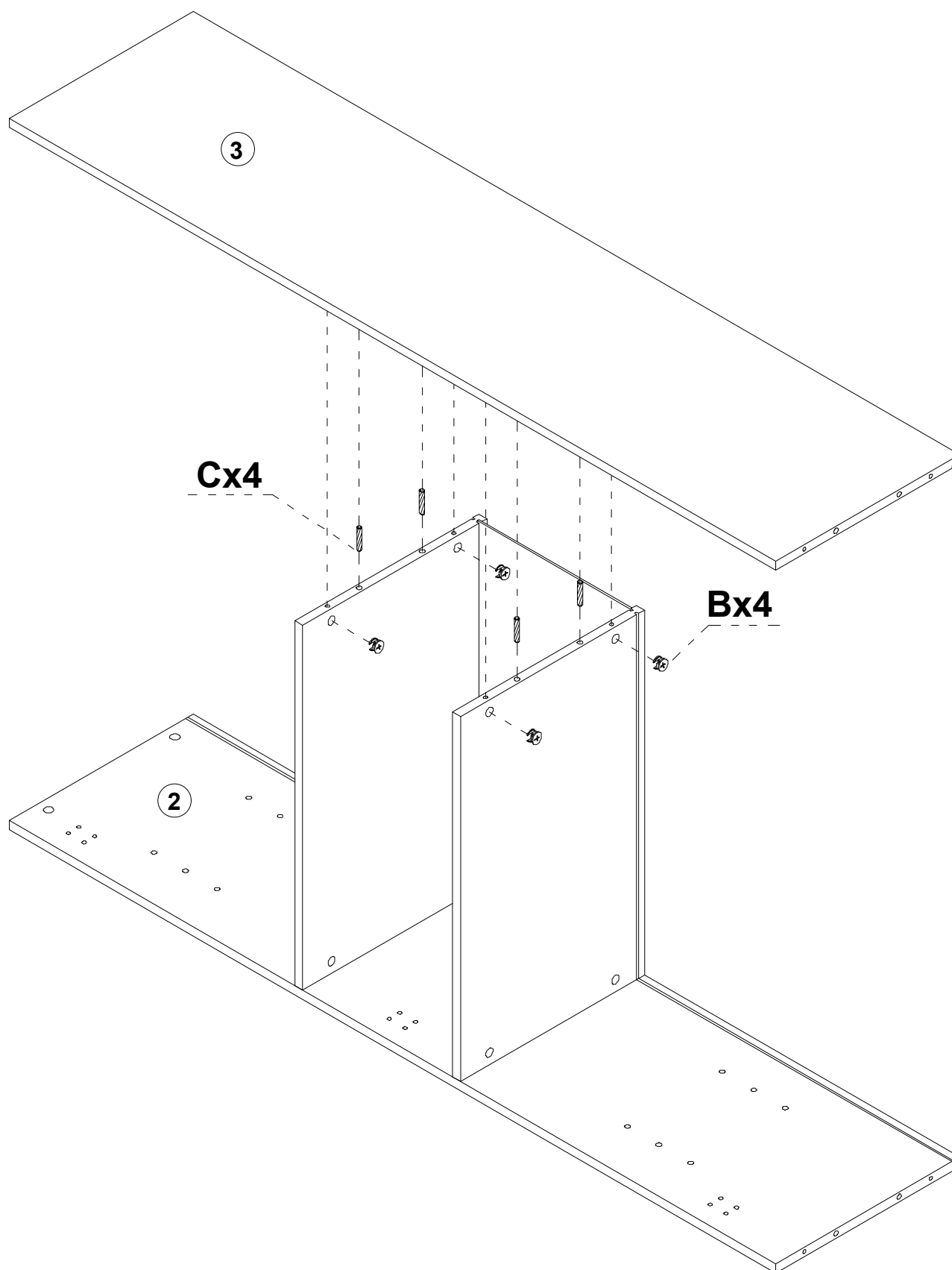
Step 3



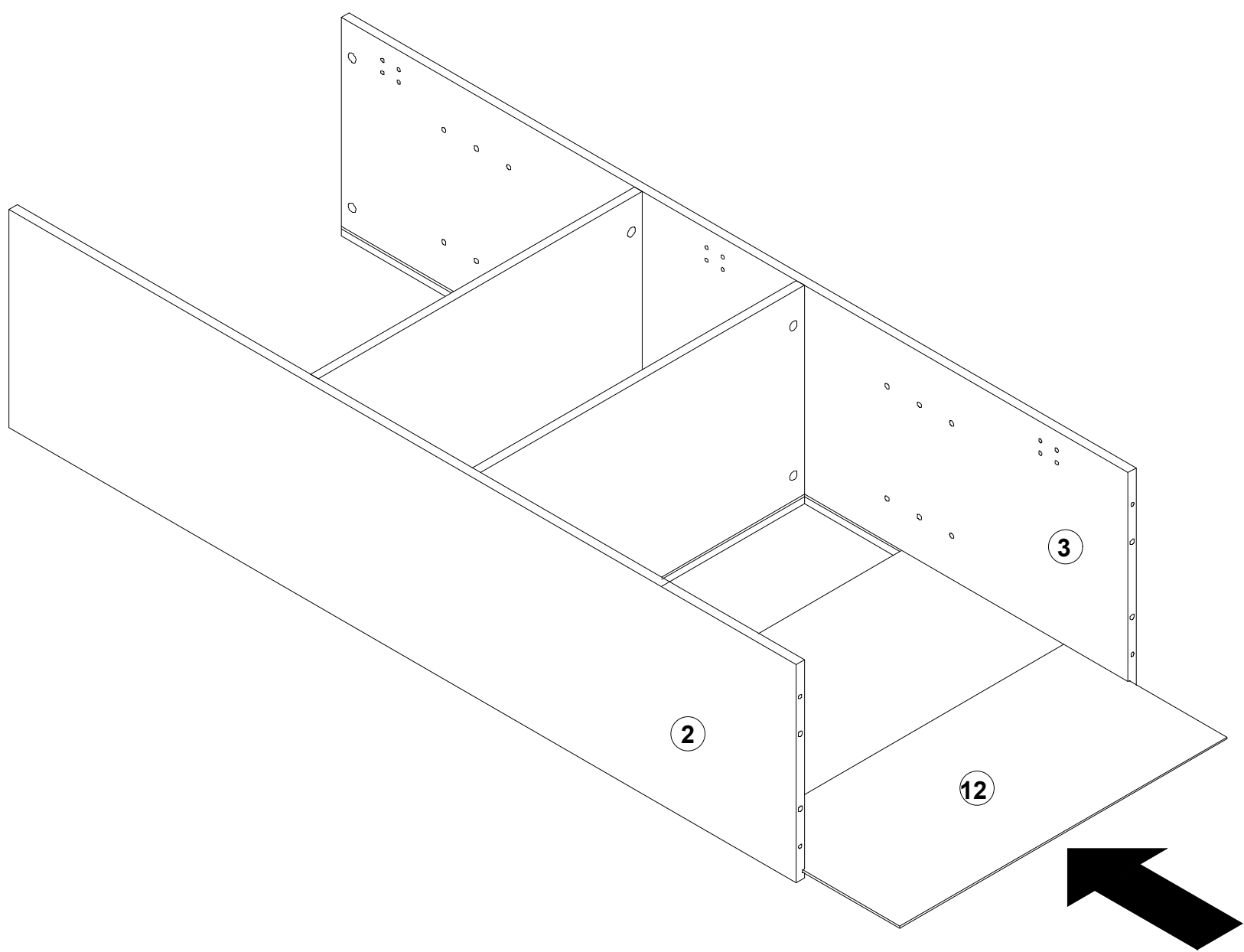
Step 4



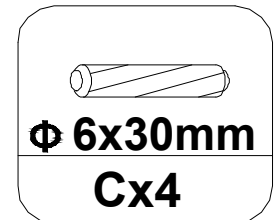
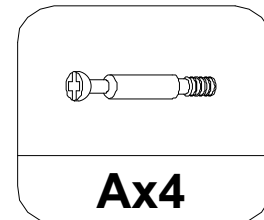
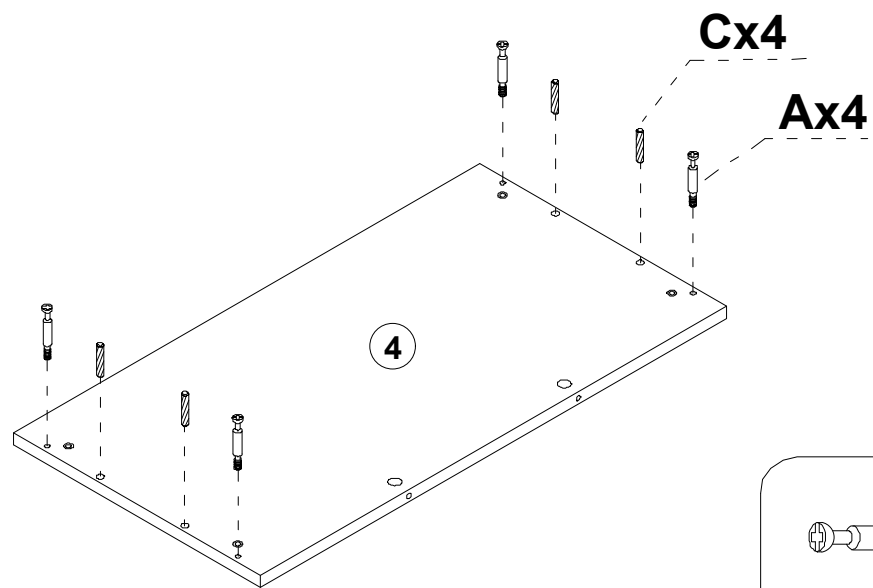
Step 5



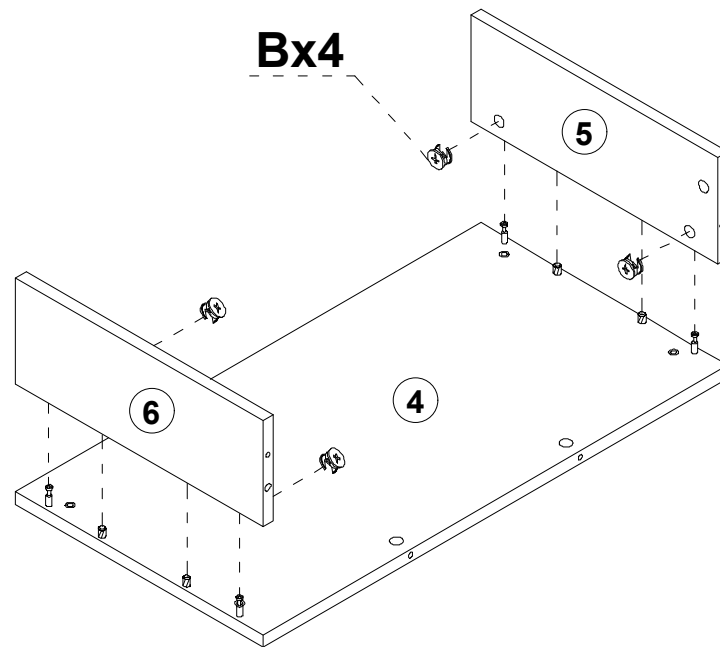
Step 6



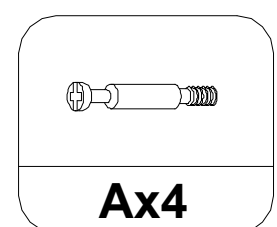
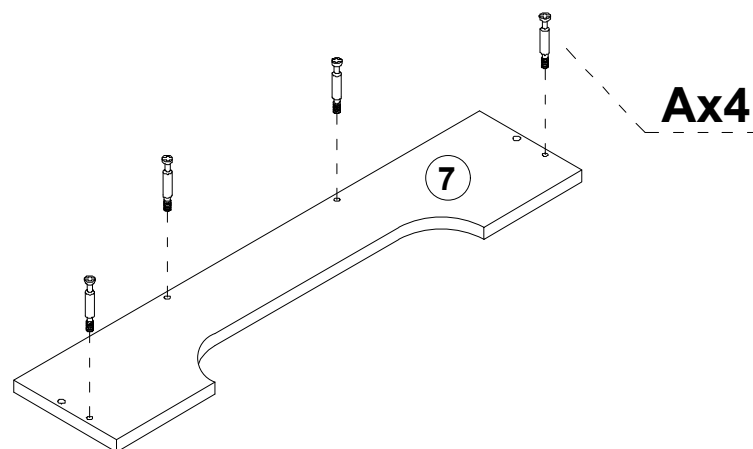
Step 7



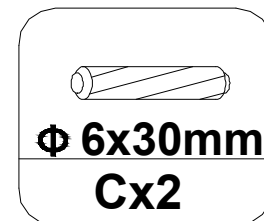
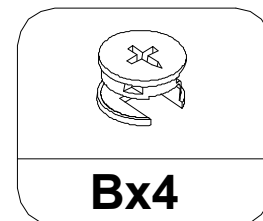
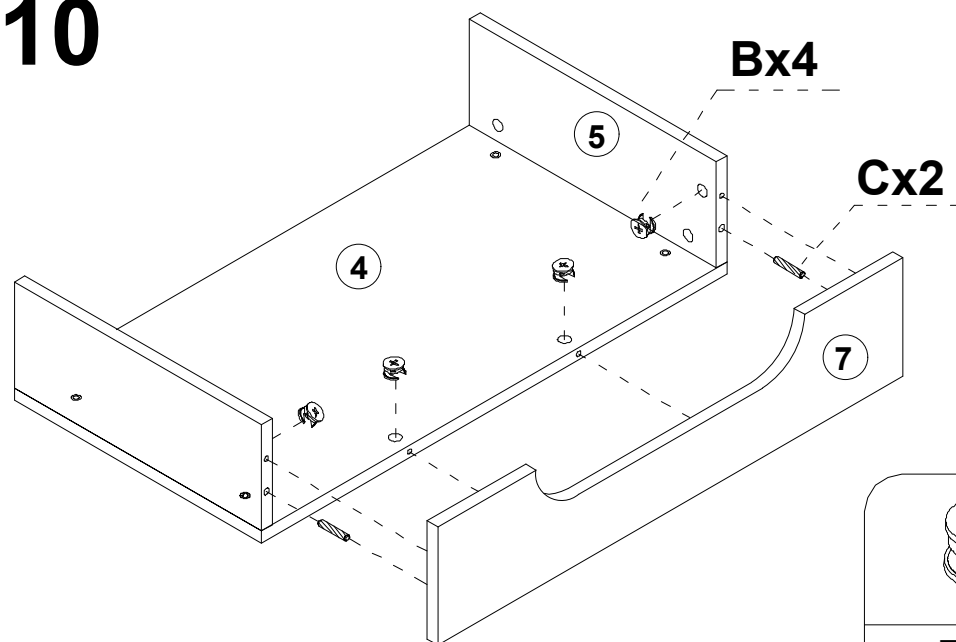
Step 8



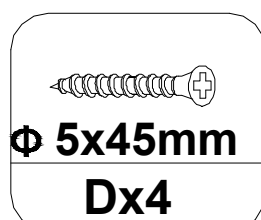
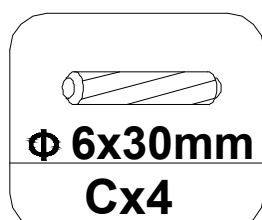
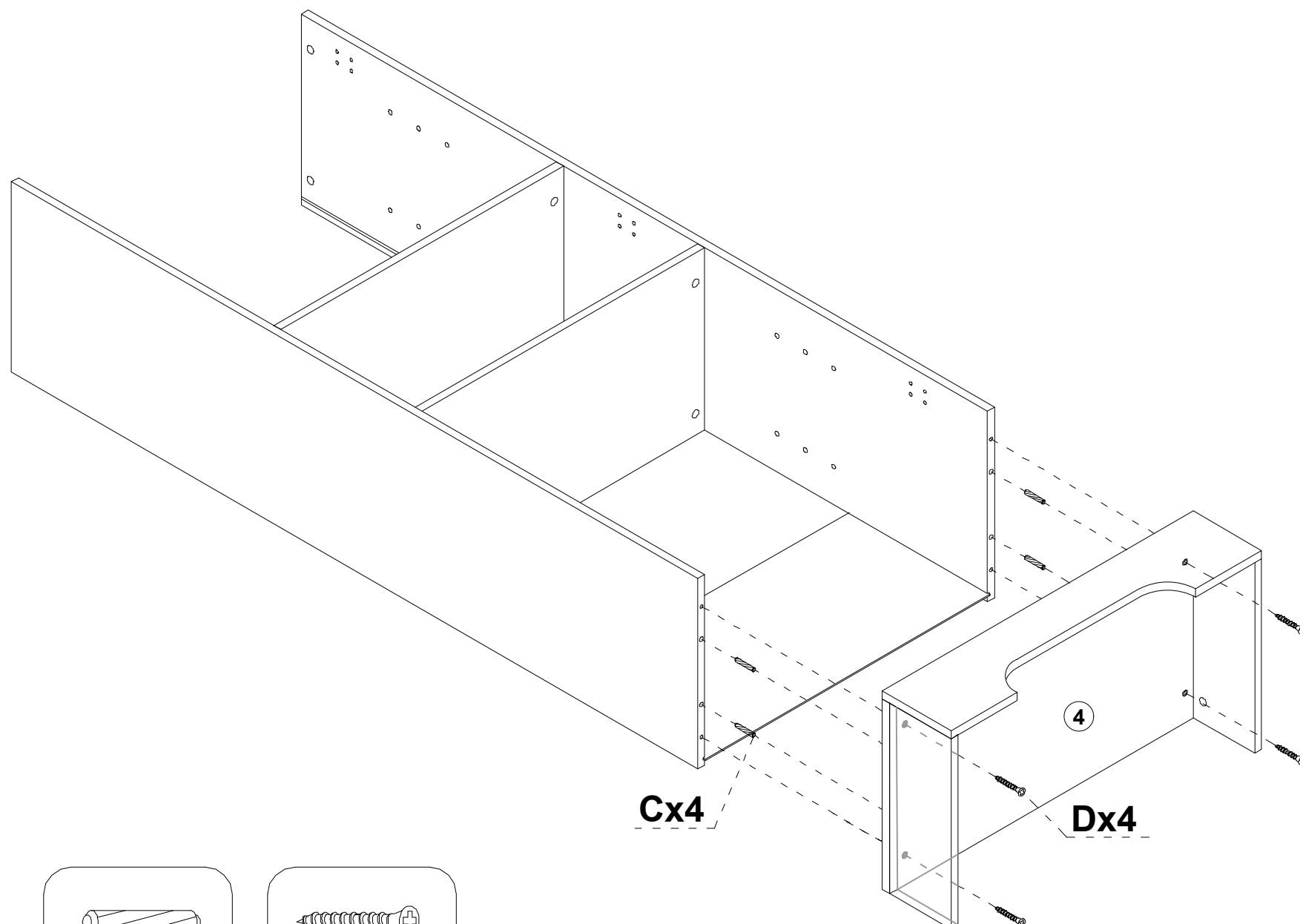
Step 9



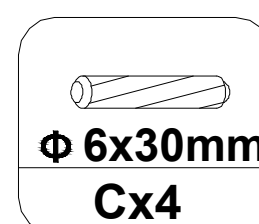
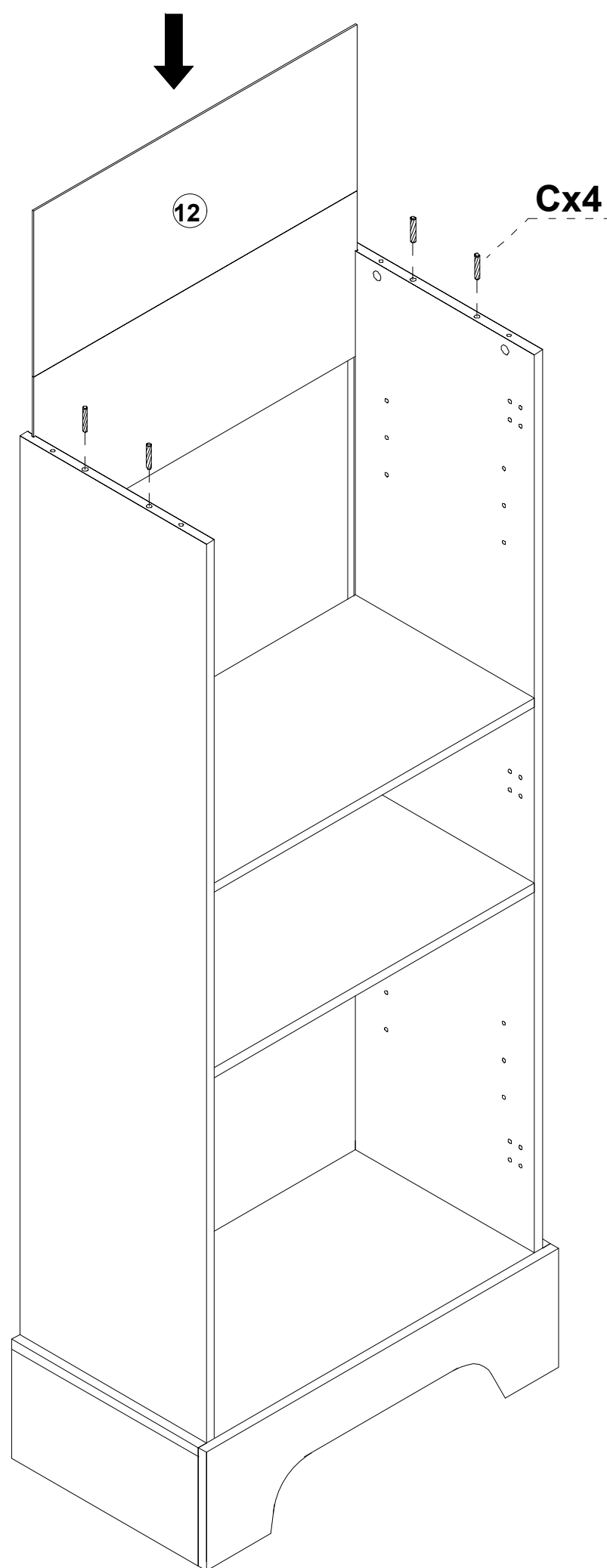
Step 10



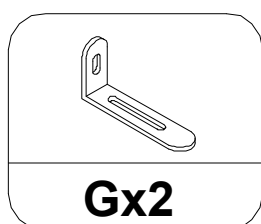
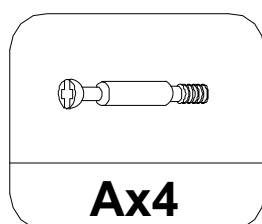
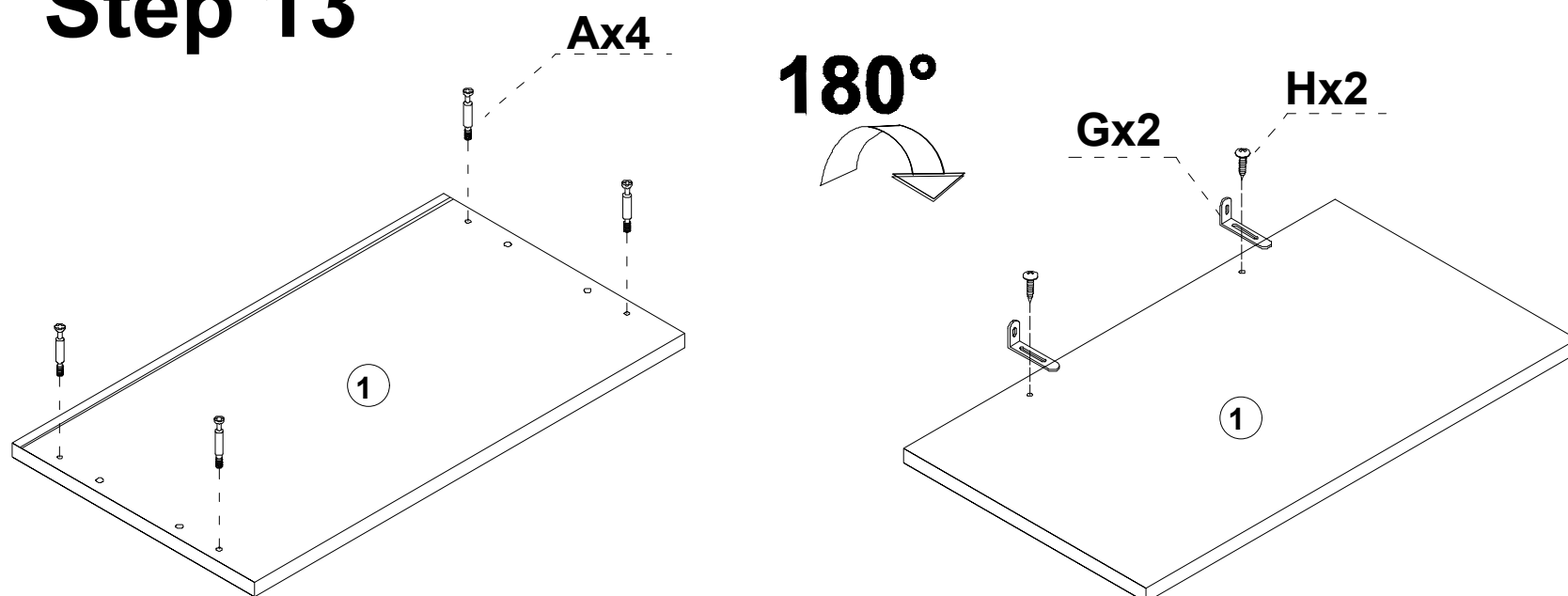
Step 11



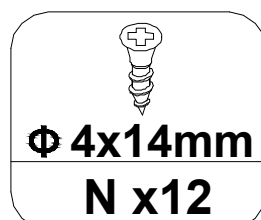
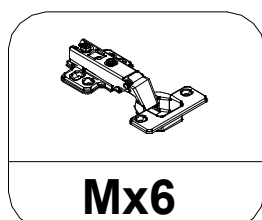
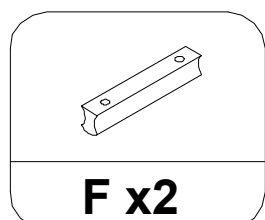
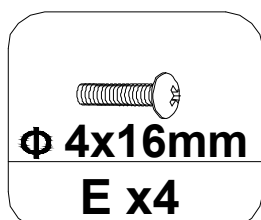
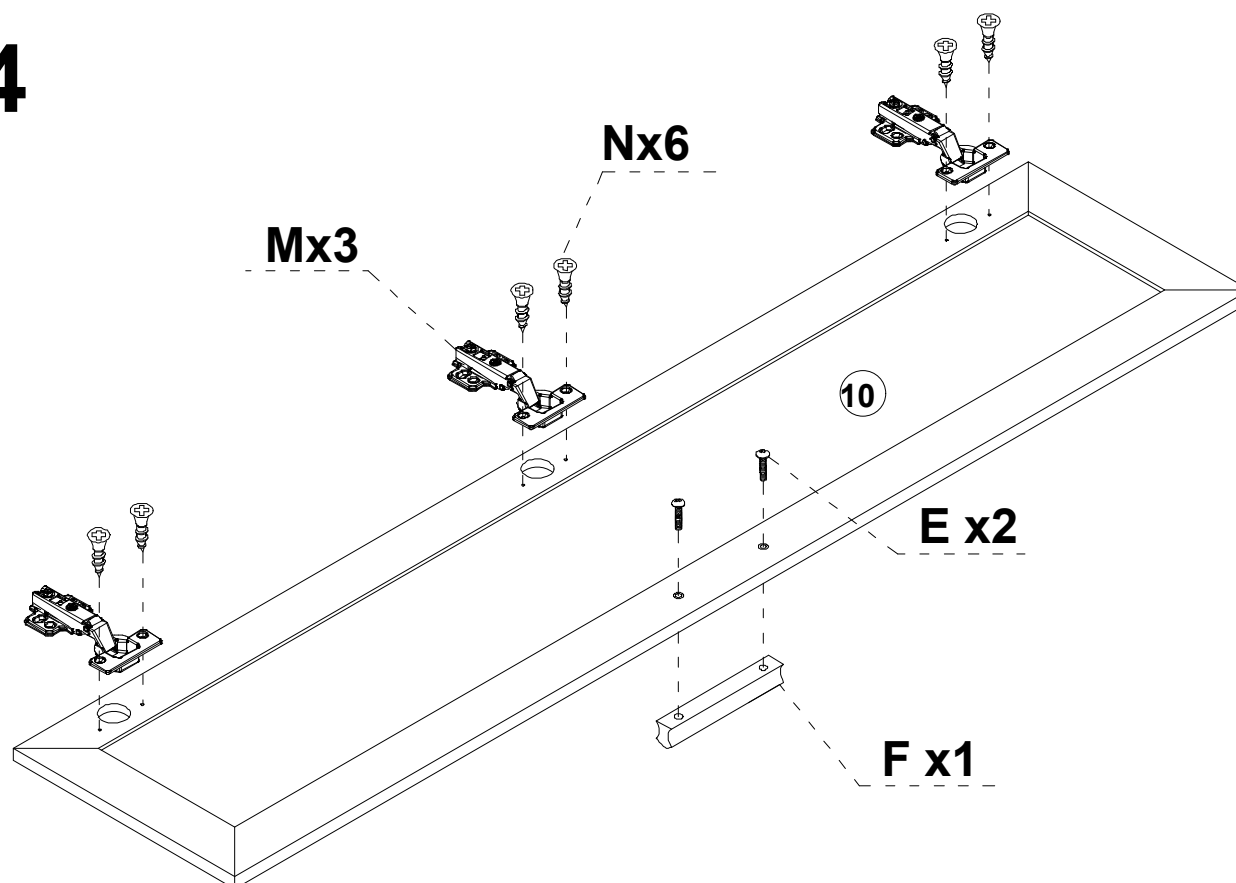
Step 12



Step 13

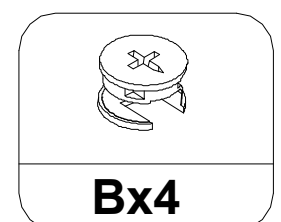
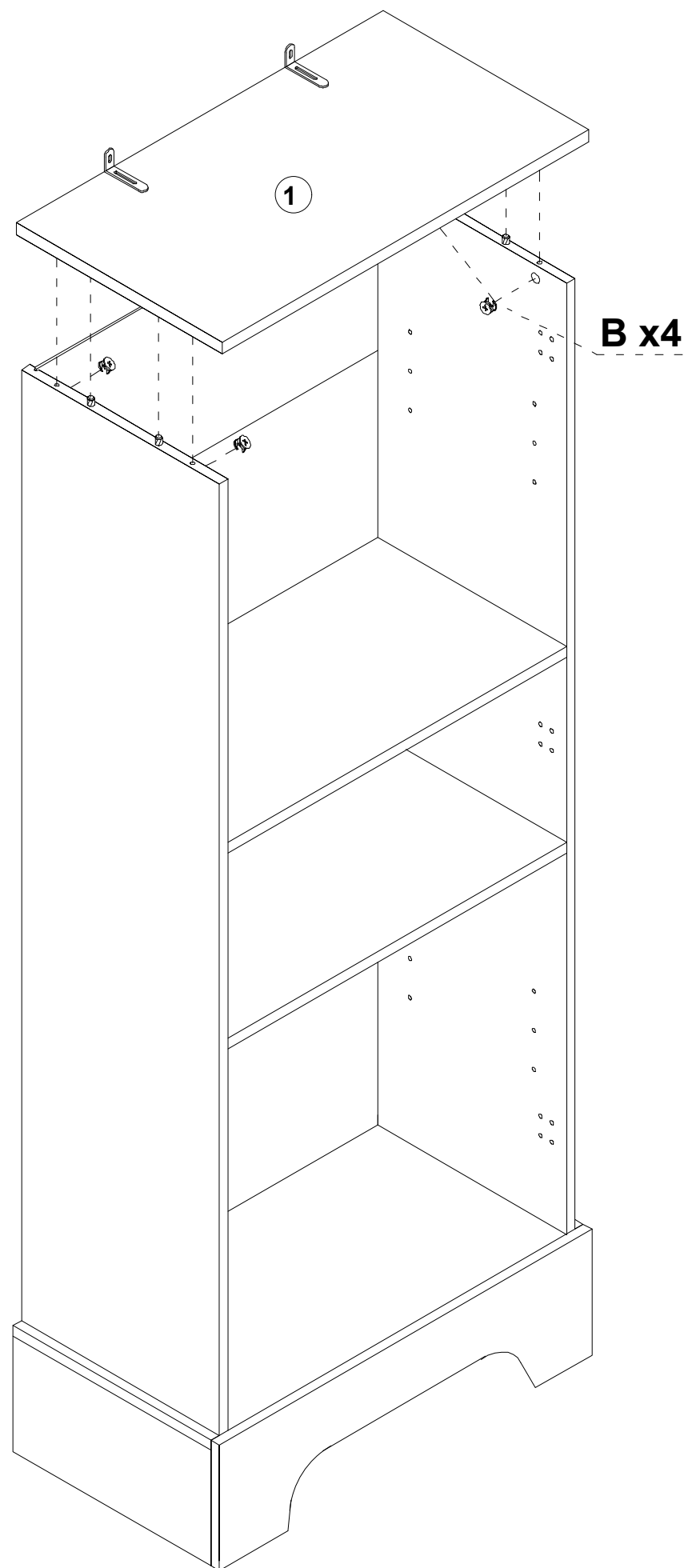


Step 14

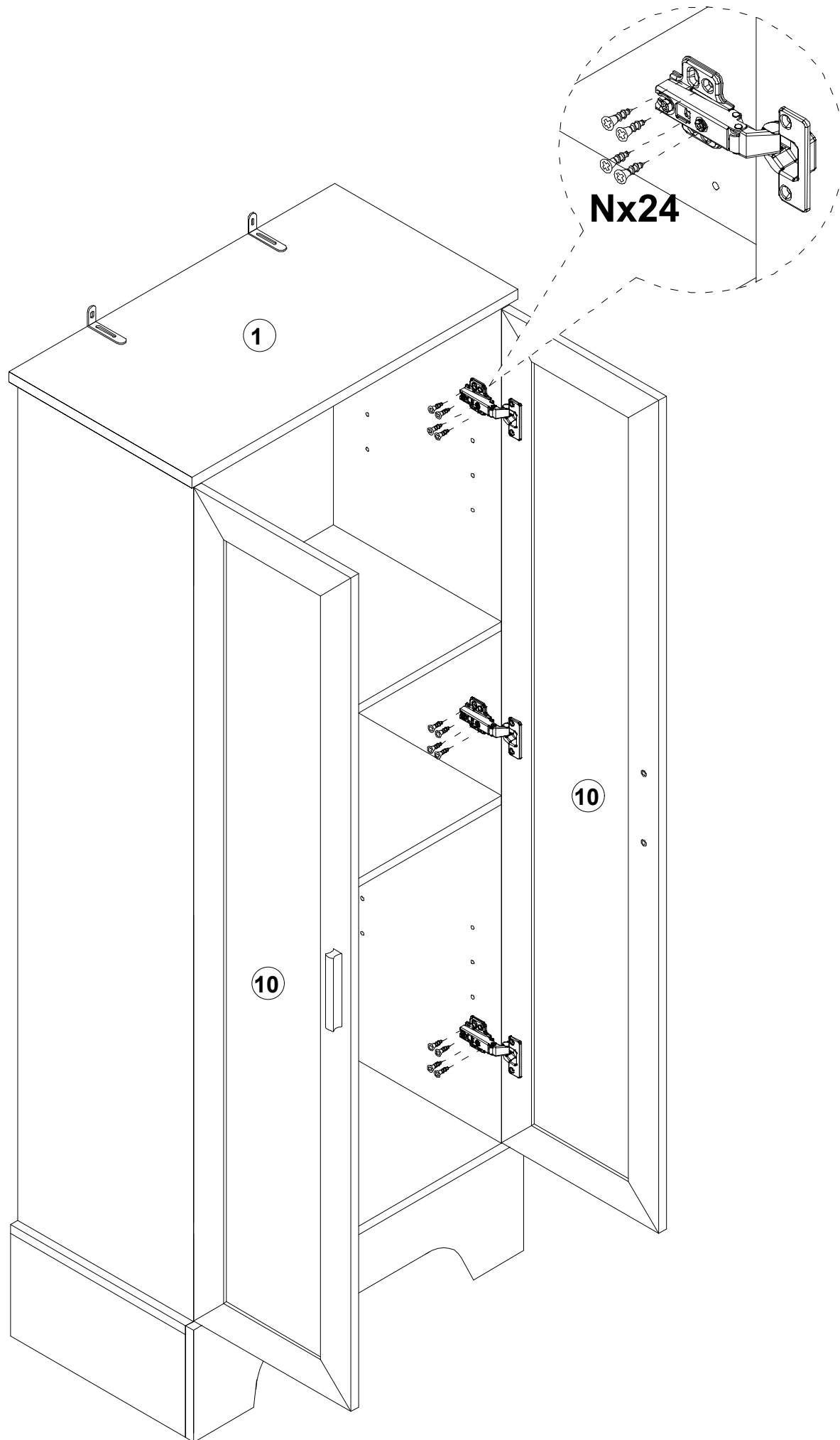
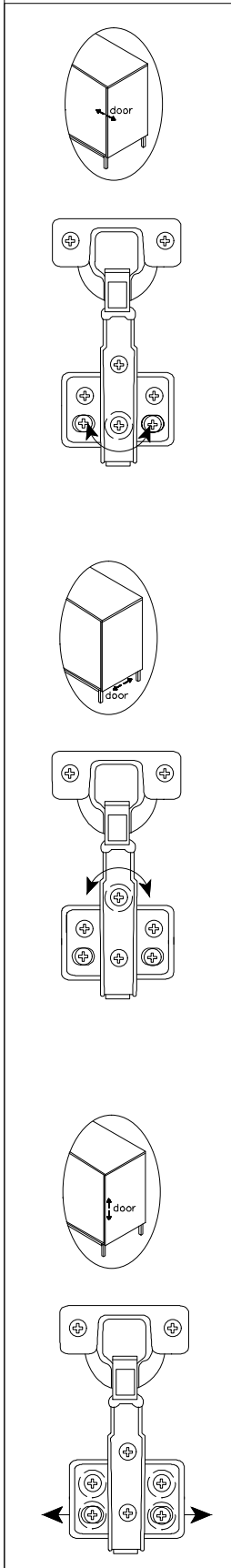


x2

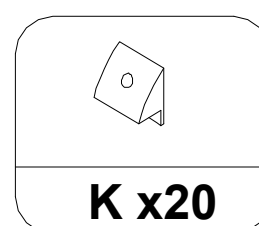
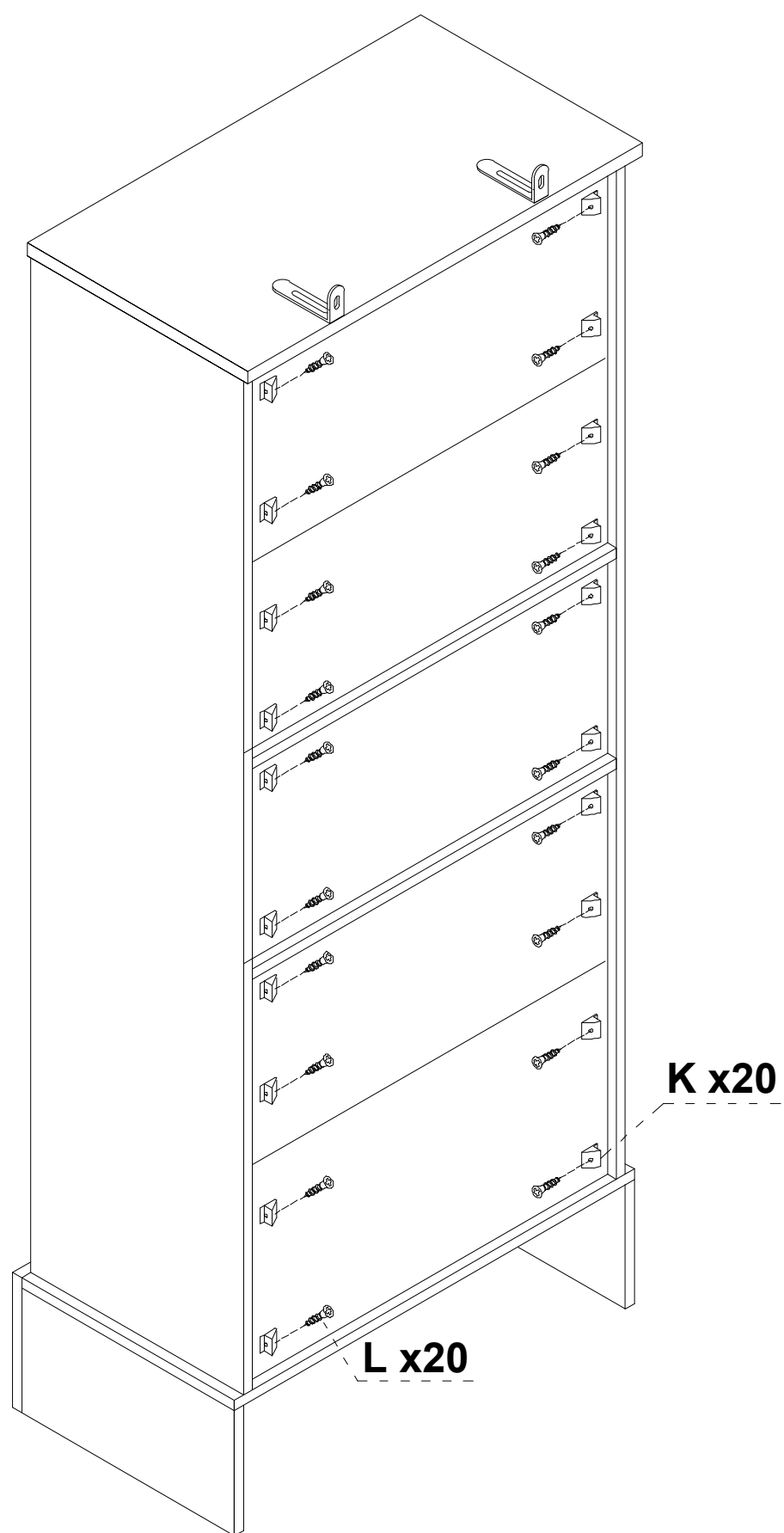
Step 15



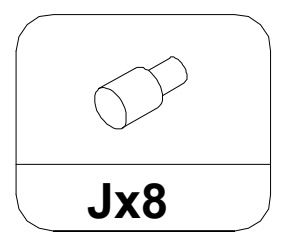
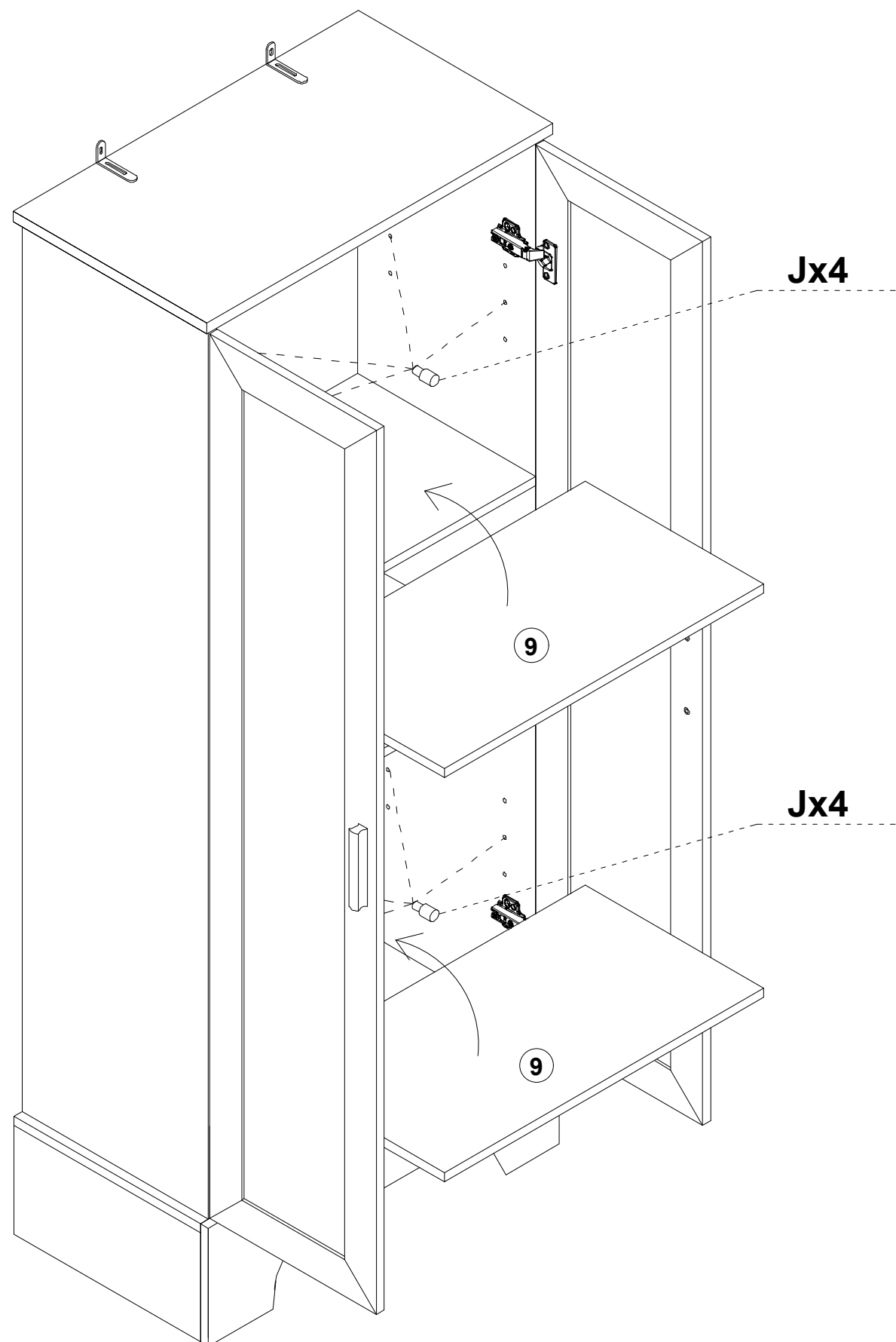
Step 16



Step 17



Step 18



Step 19

