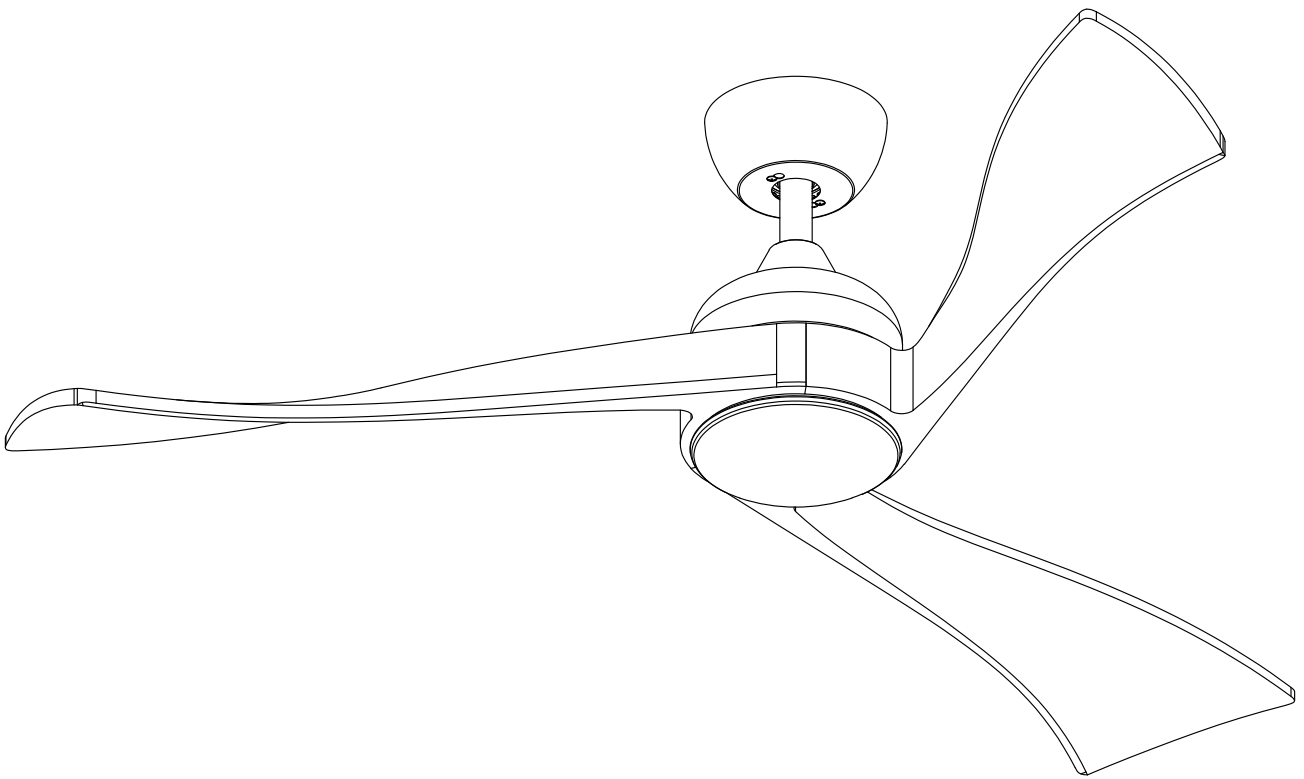


Ceiling Fan

Instruction Manual



KF640011US-01HZZ-001

SAFETY GUIDELINES

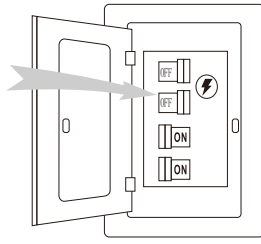
1. To avoid possible electric shock, turn off the electricity in the main fuse box or on the circuit panel before you begin the fan installation, maintain the fan or install any accessories.
 2. Read all instructions and safety guidelines carefully before installing your fan and follow all the instructions.
 3. Make sure all electrical connections comply with the local codes or ordinances and the national electrical code. If you are unfamiliar with electric wiring, please consult a qualified licensed electrician.
 4. Make sure you have a location that has clear space for the fans' blades to rotate. There is at least seven (7) feet of clearance between the floor and the fan blades' tips. The fan should be mounted at least thirty (30) inches from walls or other upright structures.
 5. **⚠ WARNING:** The outlet box and ceiling support joist must be securely mounted, and capable of supporting at least 100 pounds. To reduce the risk of fire, electric shock or personal injury, mount to the outlet box marked "acceptable for fan support" and use mounting screws matching the outlet box. The box must be supported directly by the building structure.
 6. **⚠ WARNING:** To reduce the risk of fire, electric shock or personal injury, mount to the outlet box marked "acceptable for fan support" and use mounting screws matching the outlet box. Most outlet boxes are only used for supporting lighting fixtures and not acceptable for fan support. Consult a qualified electrician if in doubt.
 7. Electrical diagrams are for reference only. Light kits don't come with the fan. It must be UL listed and marked "suitable for use with the fan model you are installing". Switches must be UL general switches. Refer to the instructions to properly assemble the fan.
 8. After installing, check that all connections are firmly secured.
 9. After making electrical connections, the spliced conductors should be turned upward and carefully pushed up into outlet box. The wires should be placed separate from the grounded conductor as well as the equipment-grounding conductor on opposite side of the outlet box.
 10. **⚠ WARNING:** To reduce the risk of electrical shock and fire, do not use this fan with any solid-state fan speed
 11. Do not operate the reverse switch until the fan has come to a complete stop.
 12. Do not insert anything into the fan's blades while they are rotating.
 13. **⚠ WARNING:** To reduce the risk of personal injury, do not bend the blade brackets (also referred to as "flanges")
 14. To avoid personal injury or damage to the fan and other items, be cautious when working around or cleaning the fan.
 15. Do not use water or detergent to clean the fan or its blades. A dry or lightly dampened cloth will be more suitable.
- NOTE:** The important safety precautions and instructions on the manual are not meant to cover all possible conditions and situations that may occur. It is understood that common sense and caution are necessary factors during installing and operating the fan.
- NOTE:** This product is not intended for persons who have badly physical sensory or mental capabilities, or lack certain life experience and knowledge, especially children. Unless such persons are supervised or trained to operate the appliance under the guidance of a person who is responsible for their safety.
- NOTE:** Children should be supervised to ensure that they do not use appliances as toys.
- NOTE:** You must install a switch or circuit breaker that disconnects all power poles, at least 3 mm between each pole.

BEFORE YOU START

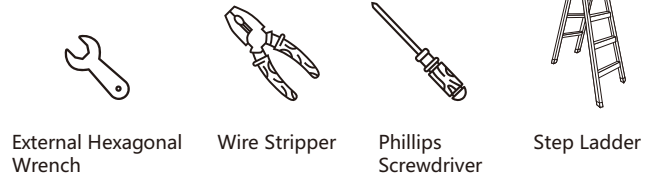
Contact a licensed electrician if you are not good at performing electrical work. It's the licensed electrician who installs the fan, if required by the local code. Turn off power at breaker.

BEFORE YOU START

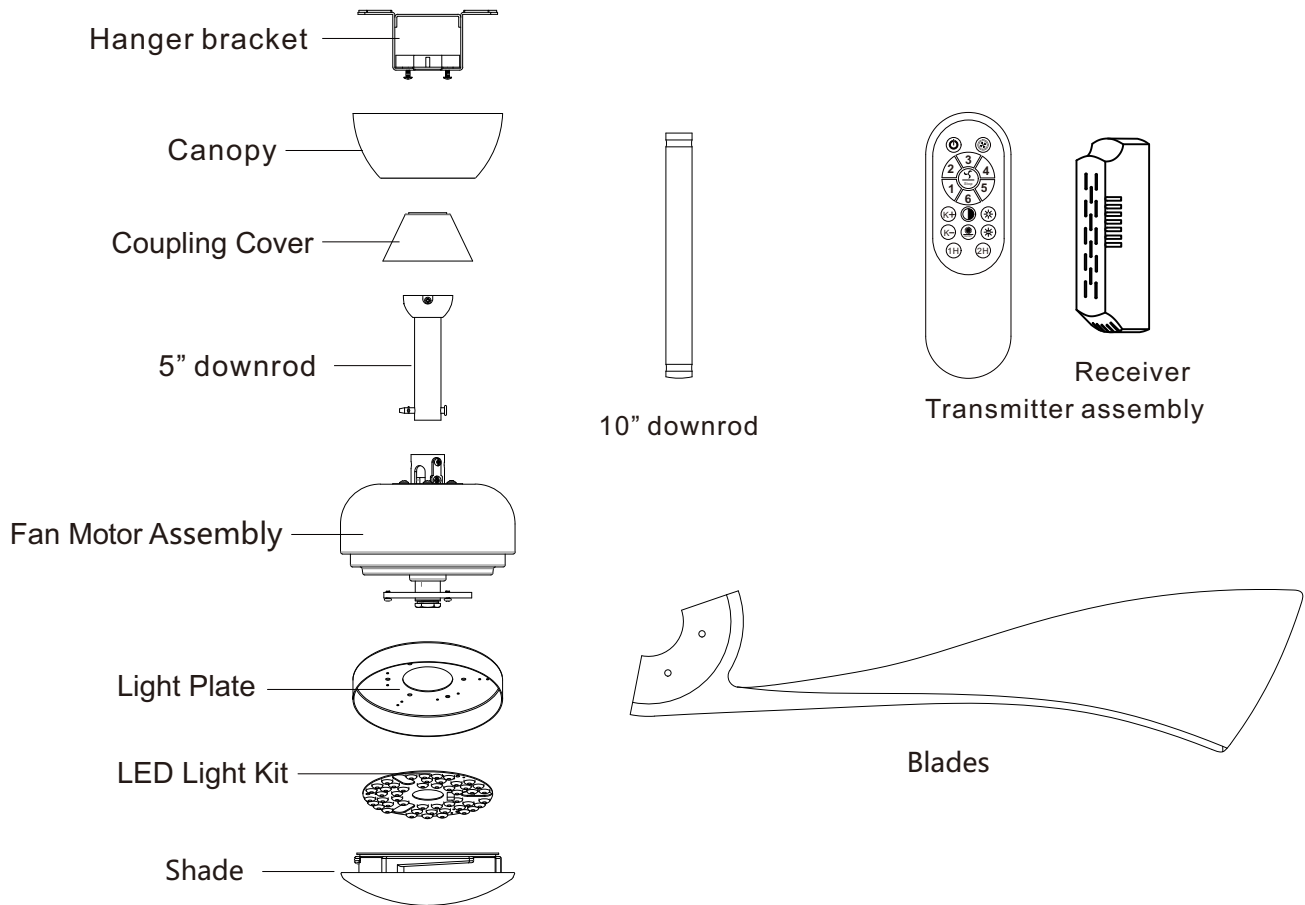
are not good at performing electrical work. It's the licensed electrician who installs the fan, if required by the local code. Do not use the fan with a dimmer switch. Turn on power at breaker.



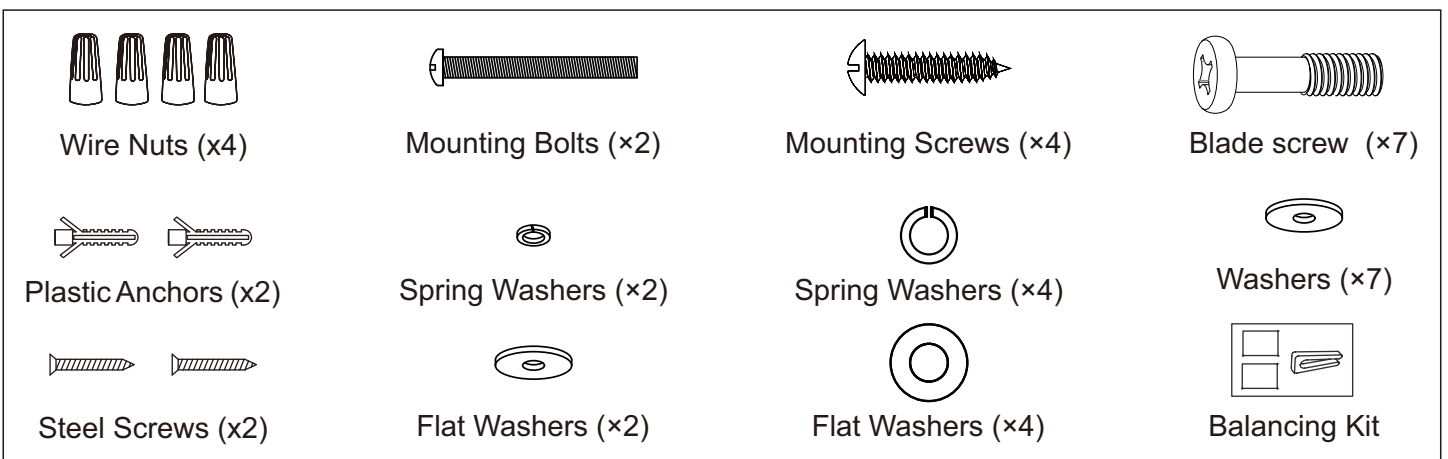
Tools and Materials Required



PRODUCT INSTRUCTION



SCREW BAG



PREPARATION

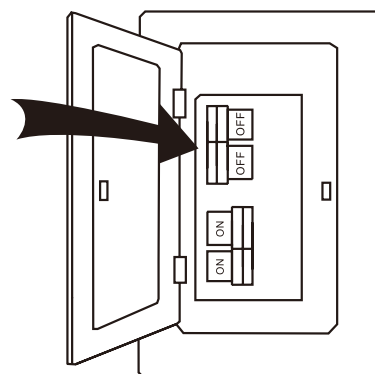
1

Turn off Your Power

Begin installation by removing fuses or turning off circuit breakers to the wiring you will be using. Use your compatible UL listed junction box if you already have one installed.

Warning

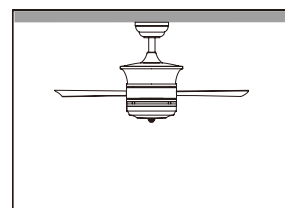
Failure to disconnect the power supply prior to installation may result in serious injury or death.



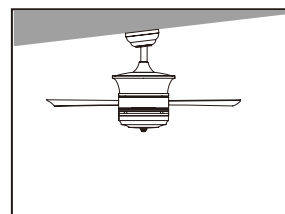
2

Choose Your Mounting Position

If you need to install a new UL listed junction box, secure it directly to your building's structure using appropriate fasteners and materials. **DO NOT** use plastic boxes. The junction box and its supports **MUST** be able to support the **MOVING** weight of the fan (at least 50 lb. or 23 kg) and be rated for fan support. The junction box should create a level surface for the fan that is **NOT** sloped greater than 10 degrees from horizontal in any direction.



Use **ONLY** on Flat Ceilings ($\pm 10^\circ$)

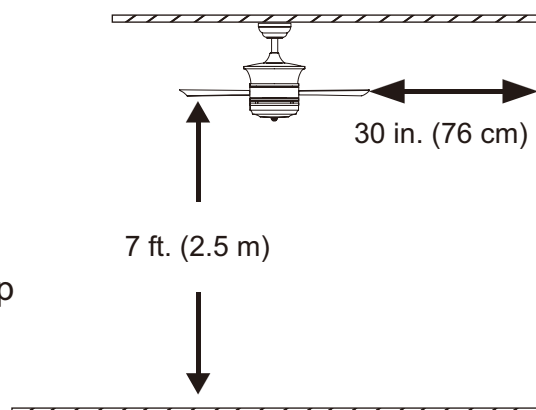


DO NOT Use on Steep Slopes

3

Choose a Suitable Location

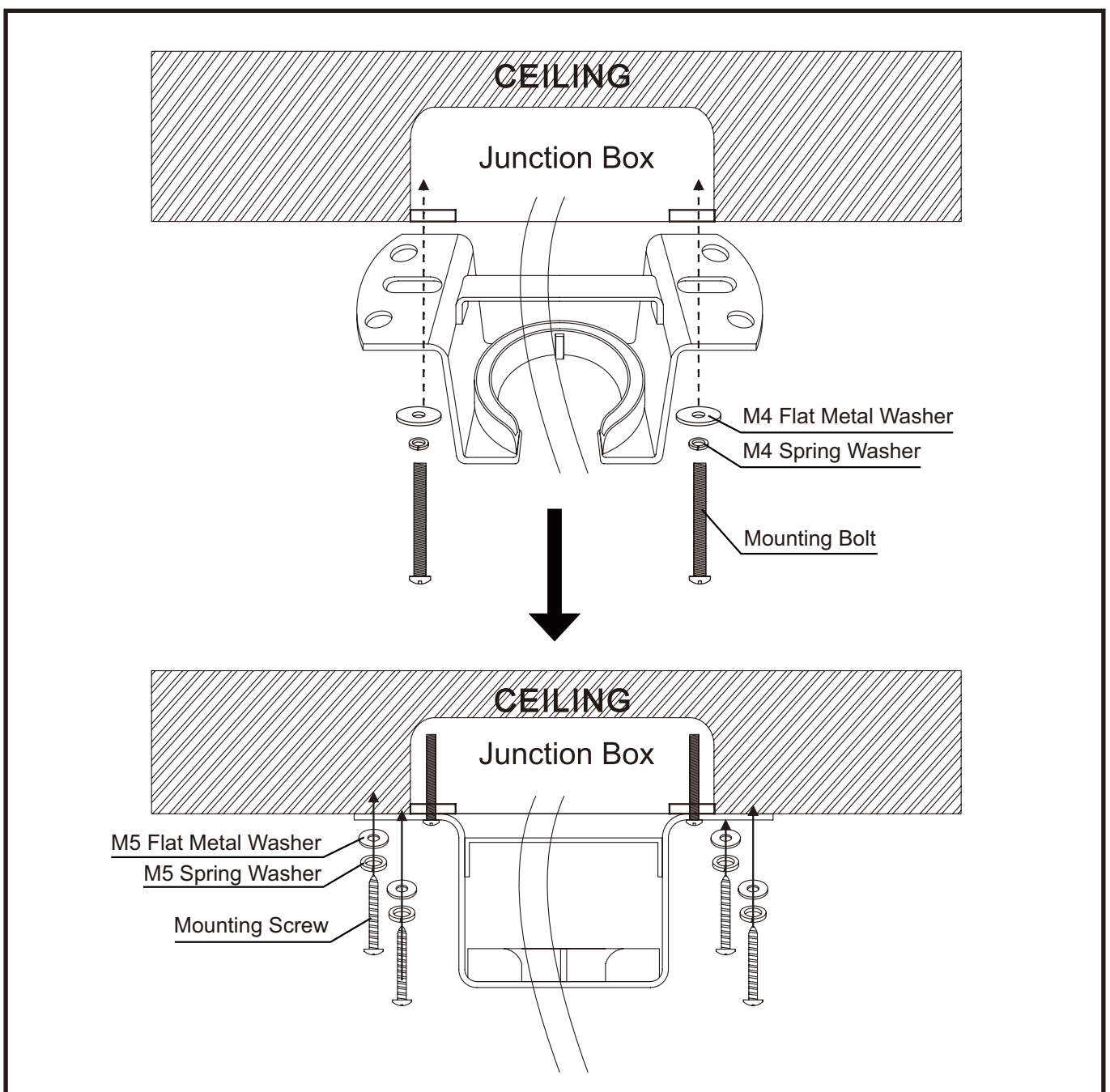
Ensure the blades will be at least 30 inches (76 cm) from any obstruction and at least 7 feet (2.5 m) above the floor. In locations without a ceiling joist, a hanger support bar may be required. **DO NOT** install in damp locations.



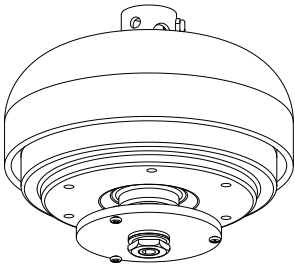
PREPARATION

Mounting Bracket

1. Pass your building's supply wires through the central hole of the mounting bracket.
2. Secure the mounting bracket to your junction box with appropriate fasteners.
 - For wood or other thinner and weaker ceilings:
 - a. Partially fasten the bracket with the mounting bolts and M4 spring & flat metal washers.
 - b. Use the mounting screws and M5 spring & flat metal washers to secure the bracket into place.
 - c. If necessary, drill holes and insert matching plastic anchors (not included) to hold the mounting screws beforehand.
 - For reinforced concrete or similar ceilings, use anchor bolts (not included).



CEILING FAN MOTOR ASSEMBLY

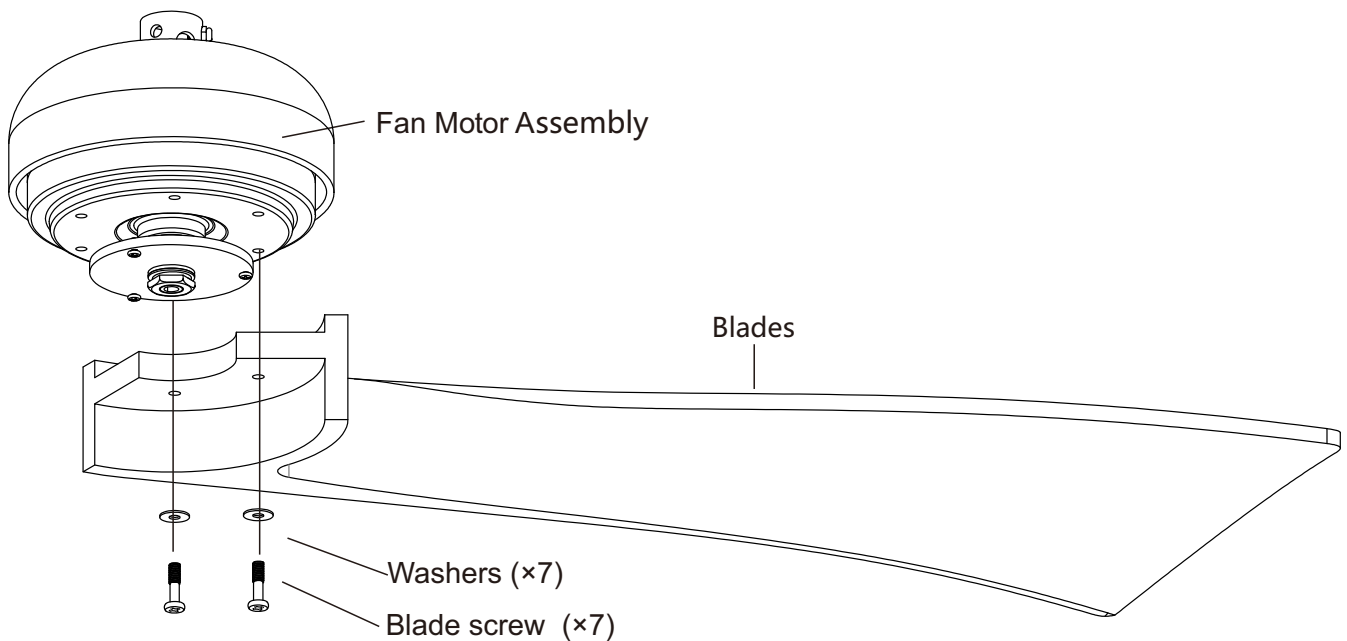


Take out the ceiling fan and check if the motor body is complete. If any part is missing or damaged, it is recommended to stop the installation.

FAN BLADE MOUNTING

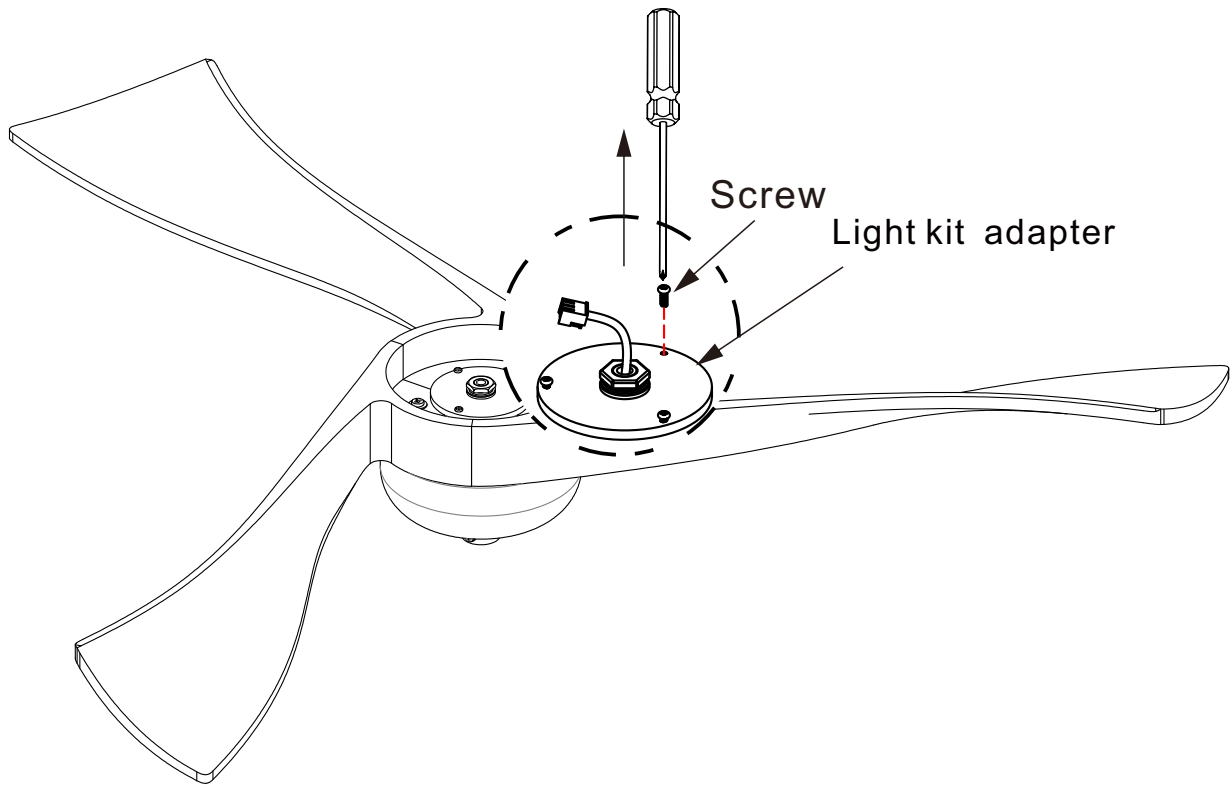
After the Fan Blade is aligned with the corresponding hole on the Fan motor assembly, fasten the Blade to the fan motor assembly with Blade screws Repeat for the remaining two blades until the blades are installed

Note: Please follow the instruction manual and make sure to use correct screws during the installation process.

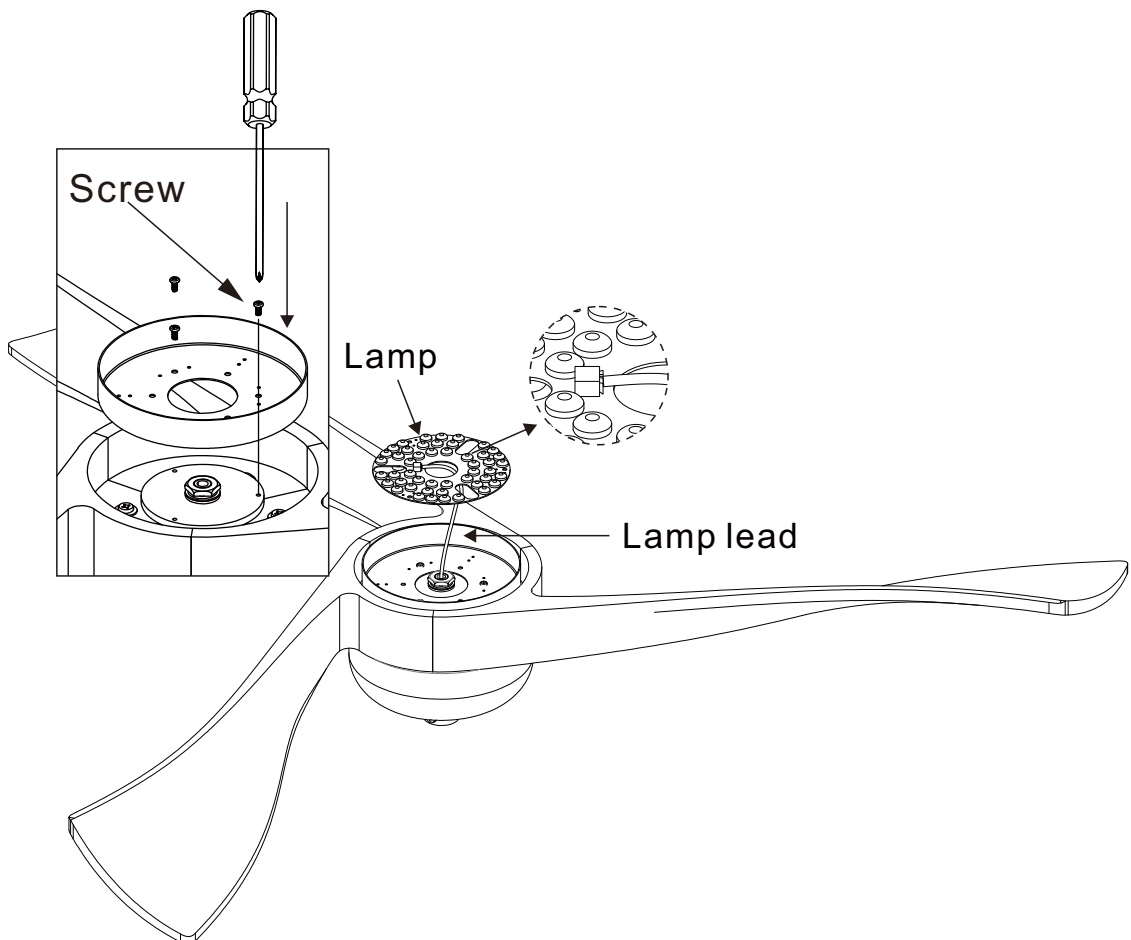


INSTALLING THE LIGHT KIT

Step 1. Remove 3 screws from light kit adapter. (Do not discard)



Step 2: Pass the motor lead through the center hole of the lamp plate, then reinstall the three screws removed in Step 1 to secure the plate to the main unit. Connect the light-source plug as shown, and magnetically attach the light source to the lamp plate.

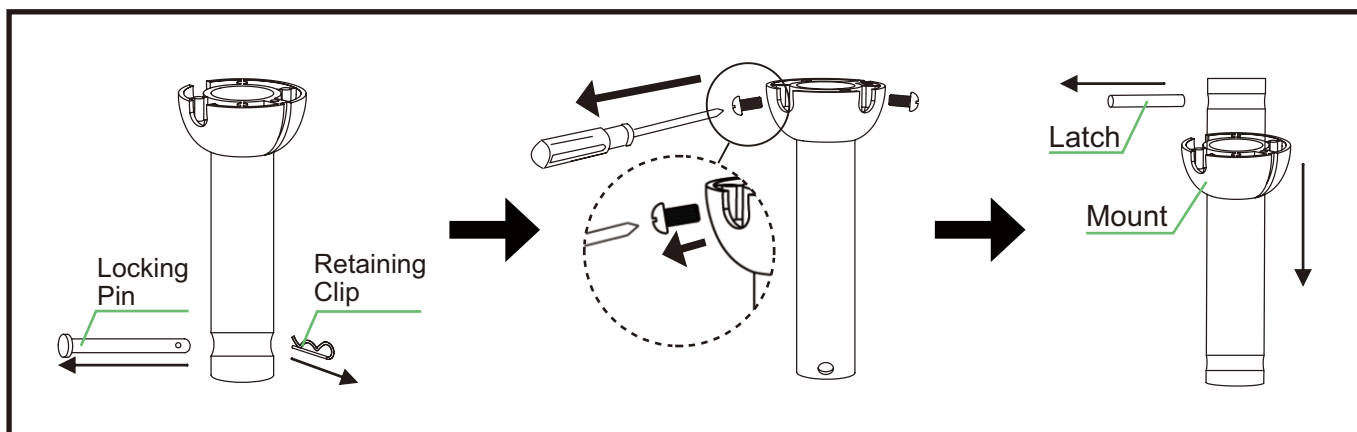


DERRICK INSTALLATION

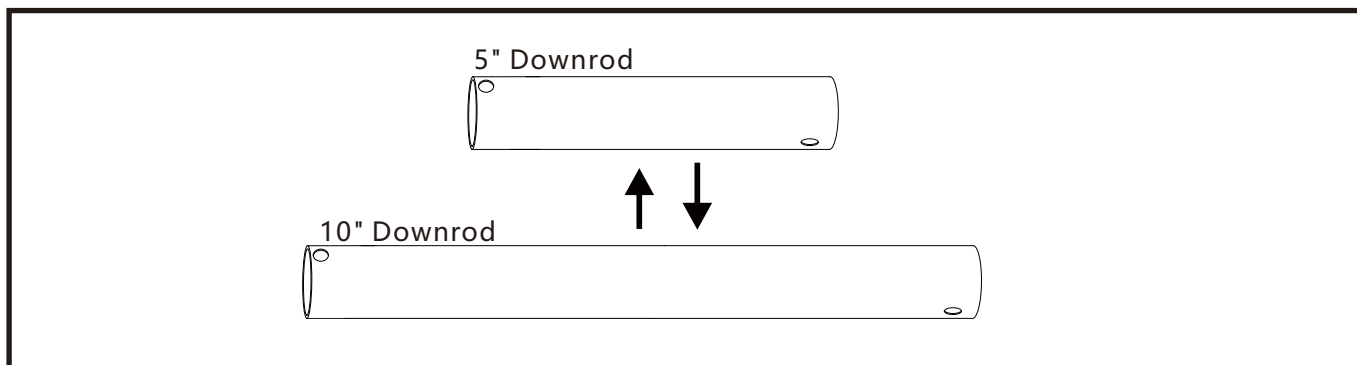
Downrod and Motor

You can choose a 5 "or 10"downrod to match the height of the ceiling.

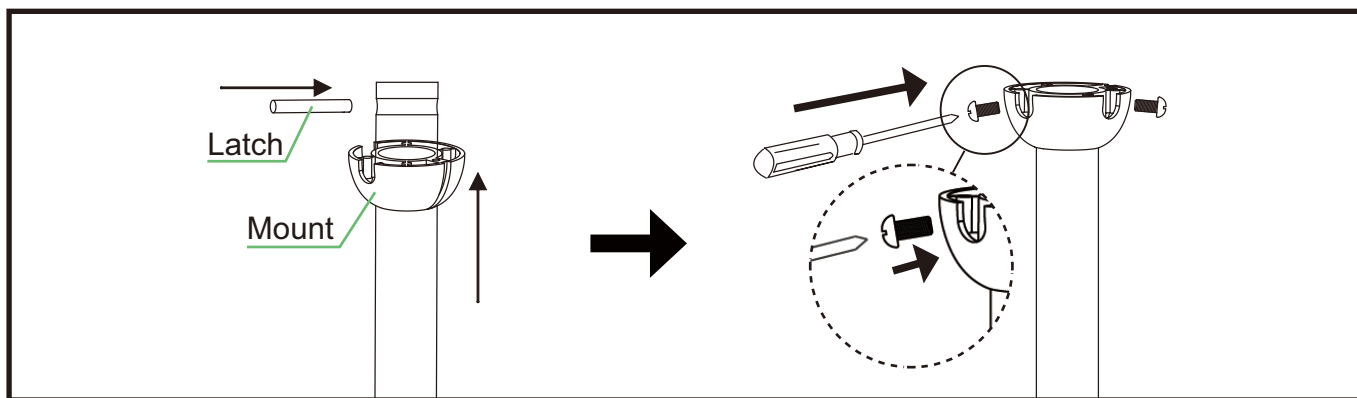
1. Remove the retaining clip and locking pin from the lower part of the 5" downrod.
2. Unscrew the two Phillips bolts from the mount of this downrod.
3. Slide down the mount away from this downrod.
4. Pull the latch out of the upper slot of this downrod.



5. Then you can replace the 5 "short rod with a 10" long rod.



6. Use the reverse steps to install them back



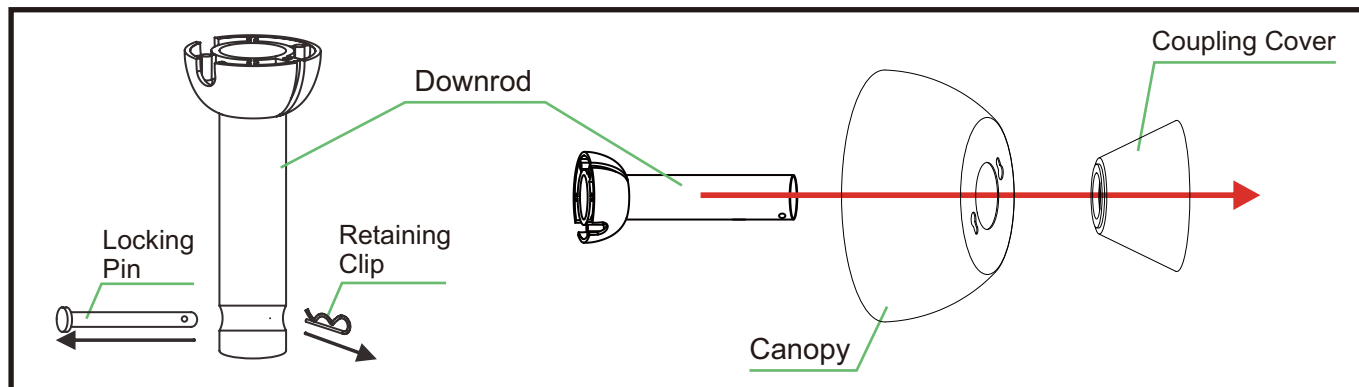
Warning

Failure to reattach the locking pin and retighten the Phillips bolts can cause the fan to fall from the ceiling during operation.

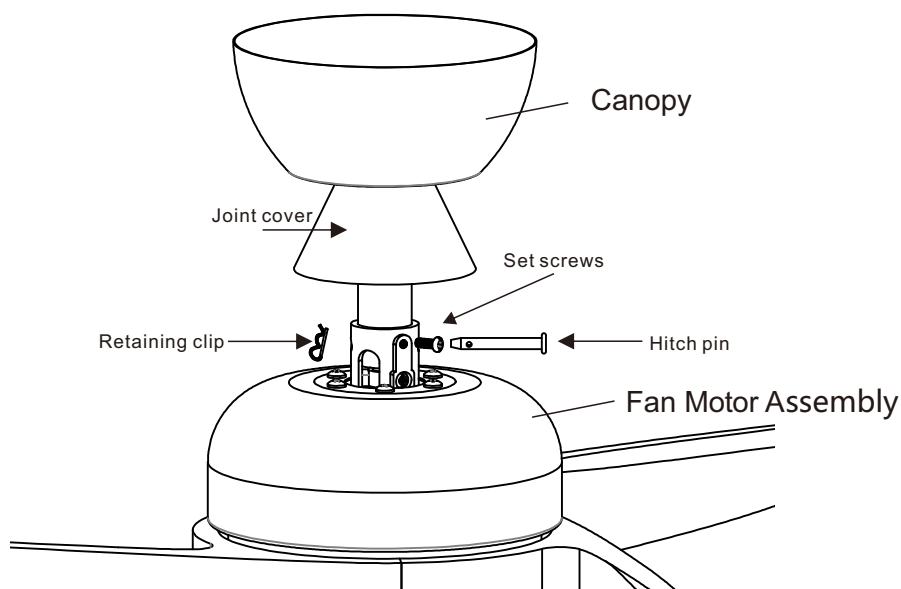
DERRICK INSTALLATION

Attaching the Downrod to the Motor

1. Ensure that the retaining clip and locking pin have been removed from the downrod
2. Pass the downrod through the canopy and coupling cover as shown.



3. Feed the lead wires from the fan motor assembly through the downrod.
4. Loosen the two Phillips bolts at the top of the fan motor assembly.
5. Fit the downrod onto the motor's top, aligning their slots.
6. Partially fasten the downrod by replacing the previously removed locking pin and retaining clip.
7. Retighten the previously loosened bolts until the downrod is locked into place.



Warning

Failure to reattach the locking pin and retighten the Phillips bolts can cause the fan to fall from the ceiling during operation.

DERRICK INSTALLATION

Downrod and Motor

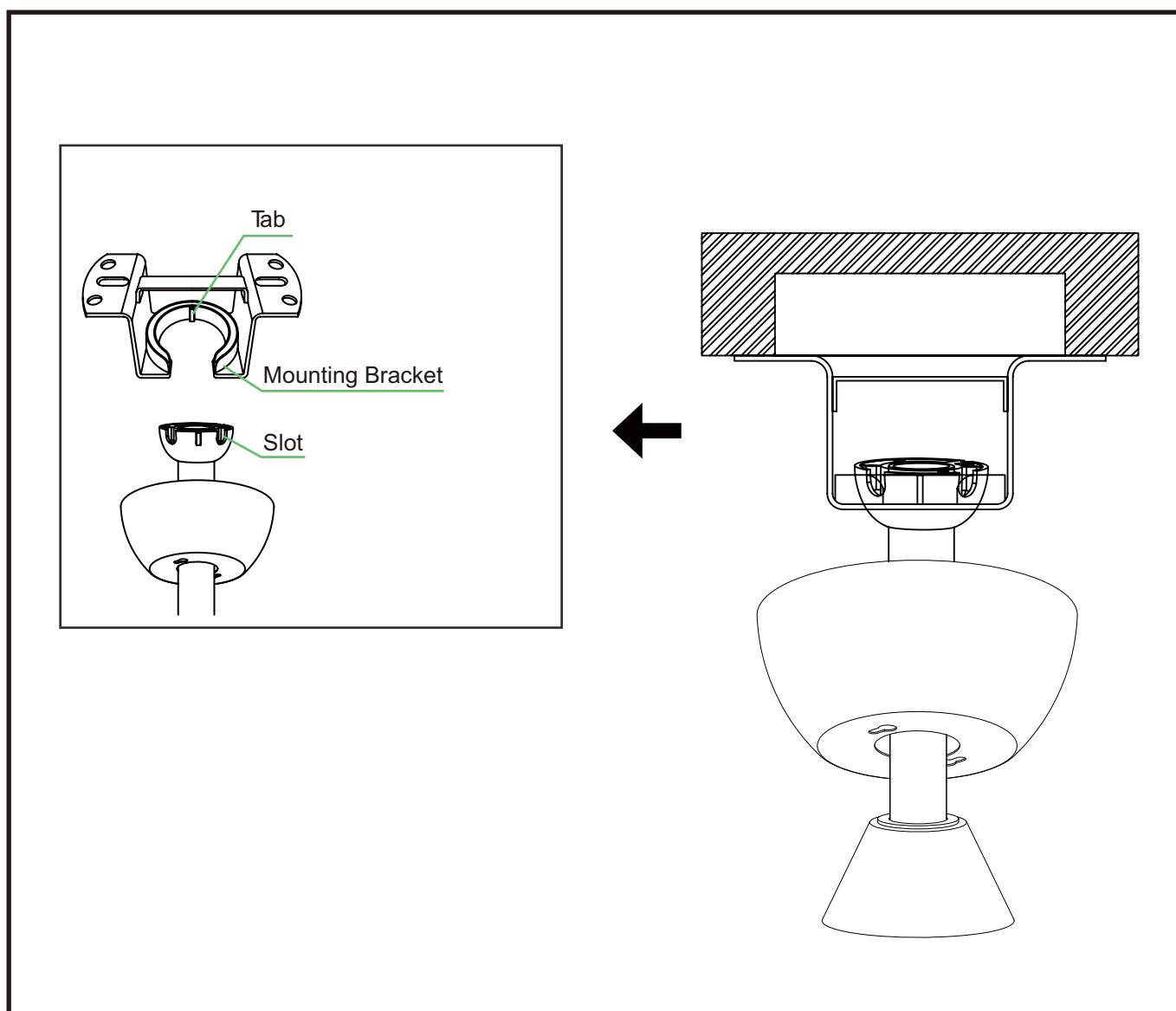
Hanging the Downrod and Motor

1. Place the downrod's mount onto the mounting bracket.
2. Rotate the entire assembly until the tab has dropped into the mount's slot and locks itself in place.

Warning

Failure to properly seat the downrod can cause the fan to fall from the ceiling during operation.

DO NOT use the fan before ensuring it is properly secured and the motor assembly cannot rotate.



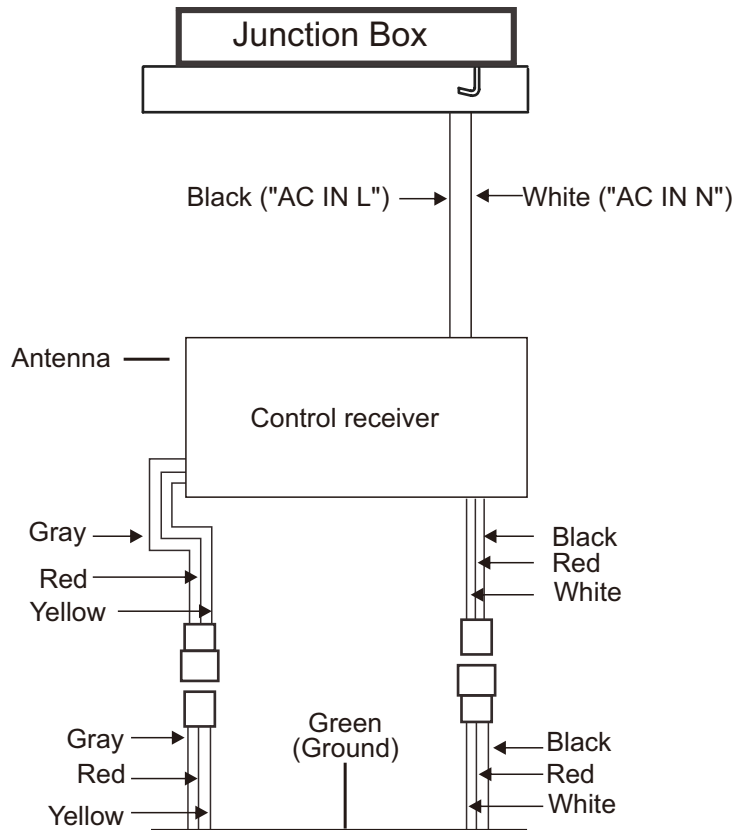
MAKE THE ELECTRIC CONNECTIONS

Wiring

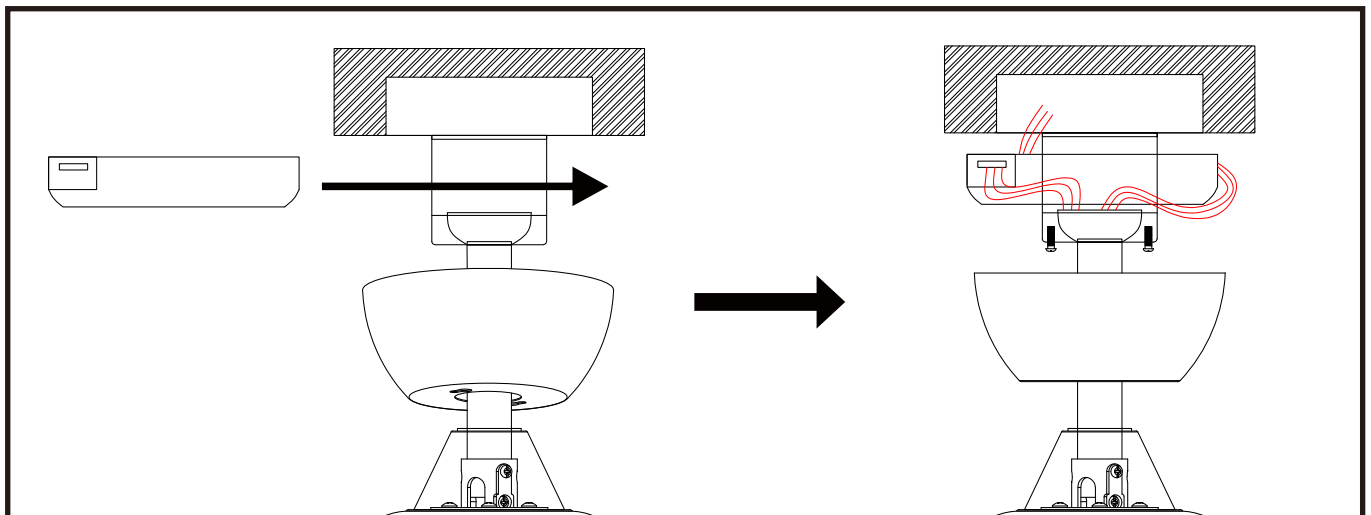
Warning

Again, ensure that the power has been cut before working with the wiring. Use the wire nuts provided with your fan. Ensure there are no loose wires or connections and secure connectors with electrical tape.

1. Connect the main power and 3-prong motor plugs to their matching sockets on the receiver.
2. Connect the wires and secure each set with the provided wire nuts, ensuring they are securely fastened by gently tugging on each connection.
 - a. Connect the 2 colored wires of the main power plug to the 2 identically colored wires from the junction box.
 - b. Connect the 3 colored wires of the motor plug to the 3 identically colored wires from the fan motor assembly.
 - c. Connect the green or bare copper ground wire from the junction box to the fan's green ground wires.
3. Separate the white and green wire connections from the black wire connection, which should be kept on the opposite side of the junction box.



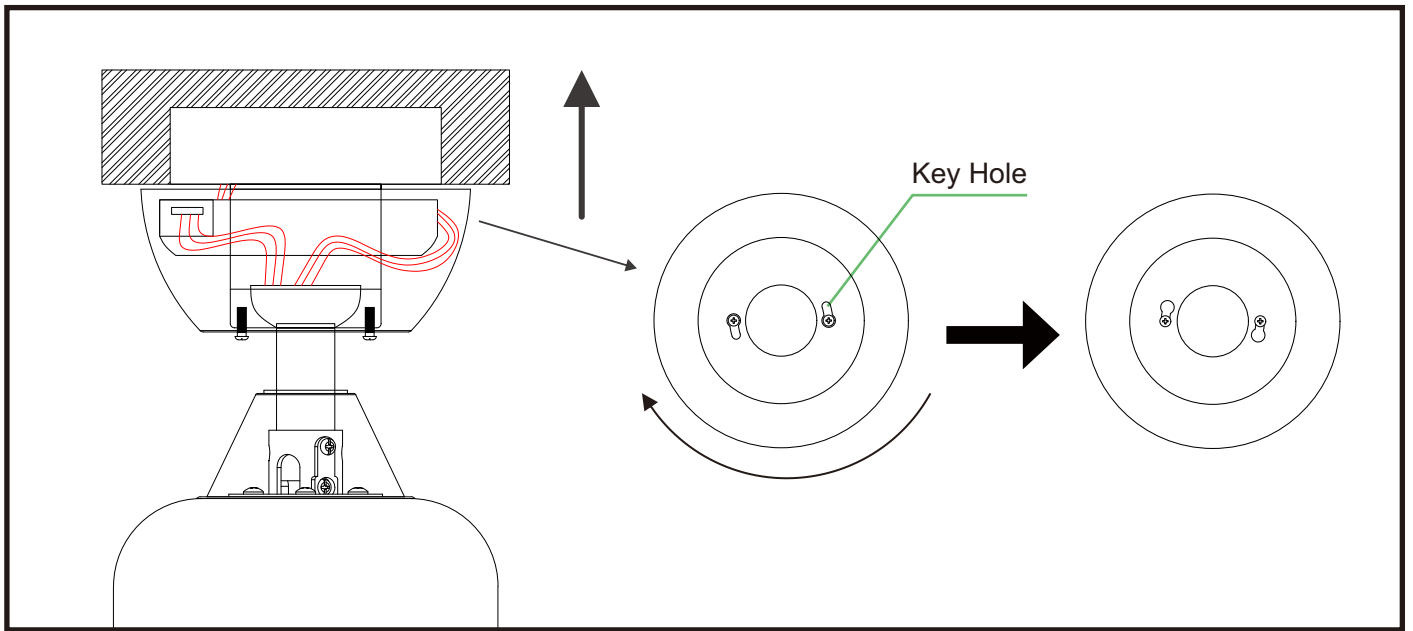
4. Insert the receiver into the tray at the top of the fan motor assembly, ensuring it faces the ceiling and its white antenna remains extended and not tangled with any of the electrical wires.
5. Tuck all wire connections neatly into the junction box.



MAKE THE ELECTRIC CONNECTIONS

Canopy

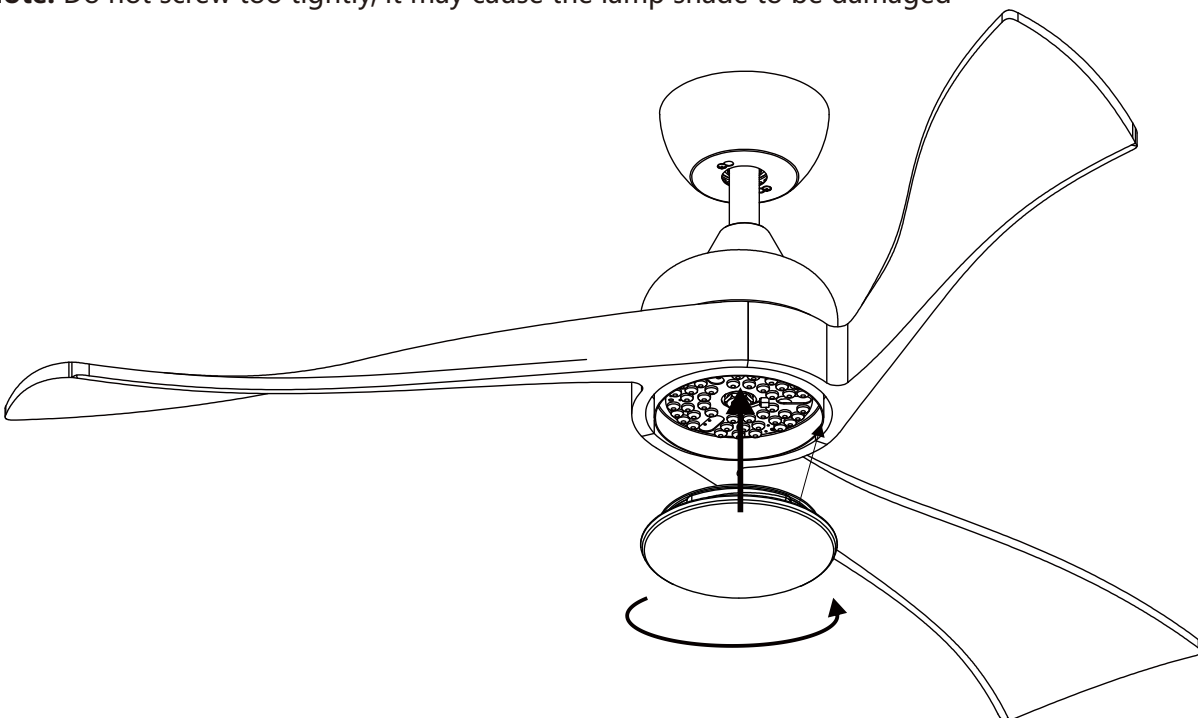
1. Slide the canopy up to the mounting bracket.
2. Place the key holes over the bolts preinstalled on the bracket.
3. Rotate the canopy until the bolts' heads lock in place at the narrow sections of the key holes.
4. Tighten these bolts as needed.



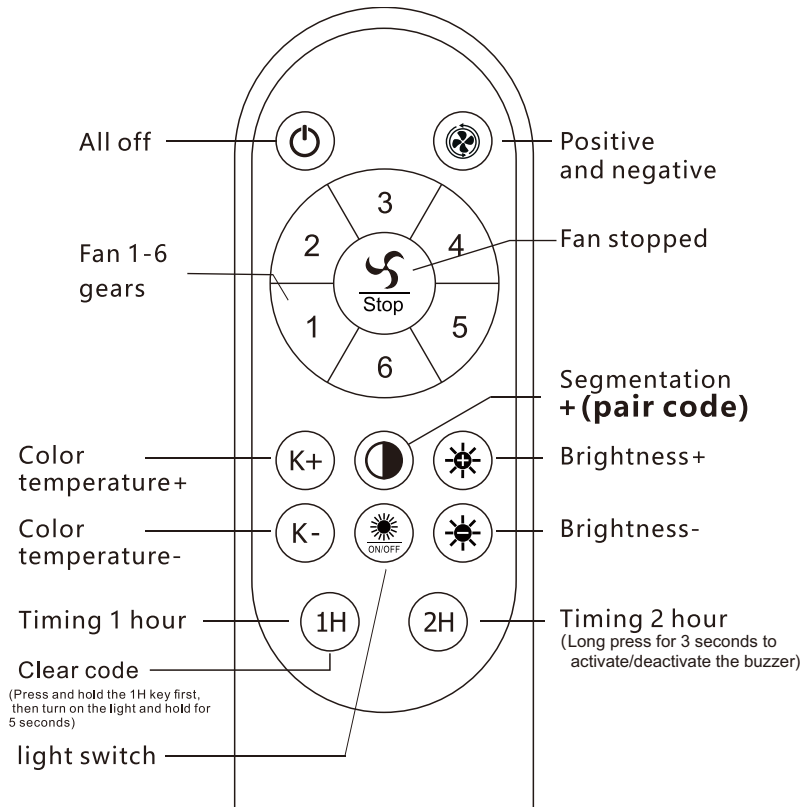
LAMP SHADE MOUNTING

Carefully install the lamp shade into the main body and turn clockwise to lock.

Note: Do not screw too tightly, it may cause the lamp shade to be damaged




REMOTE CONTROL SETTING AND OPERATION



Remote control matching code: 

Turn on the power and Press and hold the light pairing key within 5 seconds of the light on, When you hear a beep or a light flashes, the code match is successful. If you need to match the code a second time, you need to wait 30 seconds before turning on the power and repeat the above operation.

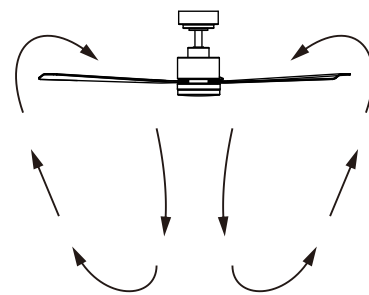
Fan reverse button 

Warm weather-(Forward) A downward airflow creates a cooling effect as shown in This allows you to set your air conditioner on a warmer setting without affecting your comfort.

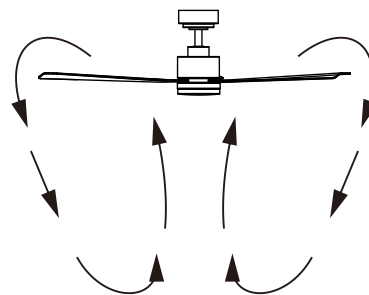
Cool weather-(Reverse) An upward airflow moves warm air off the ceiling area as shown in This allows you to set your heating unit on a cooler setting without affecting your comfort.

NOTE: To operate the reverse function on this fan, press the reverse button while the fan is running at any speed.

Speed settings for warm or cool weather depend on factors such as the room size. Ceiling height, number of fans and so on.




Forward










Reverse

APP operation














1. Download the APP scan the QR code → open the browser → select the version to download
2. Open the APP → select a room → Click on  → select "fan light" → enter the equipment name (such as fan light) → OK

3. Click on  enter

-  1. Language (Chinese and English can be selected)
-  2. Scan (scan the other party's QR code to share device control)
-  3. My QR code (you can share it with the other party)
-  4. Room management (room name can be added)
-  5. Instructions (Choose the second interface fan light, instructions for using various symbols of the device)
-  6. Check for updates
-  7. Feedbackpoint to enter


APP button function description:

1.  Code matching button (click this button within 5 seconds of turning on the light, such as the light source flashing or the buzzer "di", it proves that the pairing code is successful;if the pairing code fails, repeat this operation).
2.  After clicking, you can choose a time to turn off the device regularly.
3.  After clicking, the wind blown by the fan is like the wind in nature.
4.  The wind blown by the fan after clicking is suitable for sleep.
5.  After clicking, the fan will rotate in the reverse direction.
6.  Click to change the direction of the wind.
7.  After clicking, the fan will rotate forward.
8.  After clicking, the white light and yellow light will light up at the same time, but the brightness is only 10% of the maximum brightness.
9.  After clicking, the white light and yellow light will light up at the same time, and the brightness is the maximum brightness.
10.  After clicking, only the yellow light will light up, and the brightness is the maximum brightness.
11.  After clicking, only the white light will light up, and the brightness is the maximum brightness.

TROUBLESHOOTING

 **Caution**

DO NOT bend the blade during ANY of the following procedures.

Potential Problems	Common Solutions
Fan blades don't rotate.	Reconnect the fan to power. Within 10 seconds, hold  until you hear consecutive beeps to successfully pair the remote control.
	Check fuses and/or circuit breakers and reset if needed.
	Cut off power to the fan and check its internal electrical connections.
	Replace the remote control's batteries.
	Check that the fan cover is correctly placed and no fasteners interfere with the movement of the blades.
	Contact customer service to replace a faulty remote control.
Fan is too noisy.	Check that all fasteners are well tightened.
	Ensure the canopy housing has a short distance between itself and the ceiling.
	Upon initial installation, allow 24 hours of use for the machine to break itself in.
	Cut off power to the fan and check that the wire nut connections are not rubbing against one another or the inner housing.
	If you have installed a solid-state variable-speed control, cut off power to the fan and disconnect this control from the device. See if using the remote resolves the problem, which can be caused by erratic signals from such controls.
Fan wobbles during use.	Check that all fasteners are well tightened.
	Use the provided blade balancing kit to adjust the blades if their tips are found to be an unequal distance from the ceiling while well fastened.
	Exchange the position of the various blades.
The receiver beeps during the adjustment of the LED light's brightness or color temperature	When the light is at its highest brightness or coolest color temperature, the receiver will beep if you further increase either value. When the light is at its lowest brightness or warmest color temperature, the receiver will beep if you further decrease either value. Stop such further adjustments and the beep will cease. This is normal and needs no repair.
	Contact customer service or a trained technician for inspection, repair, or replacement of any problematic part.