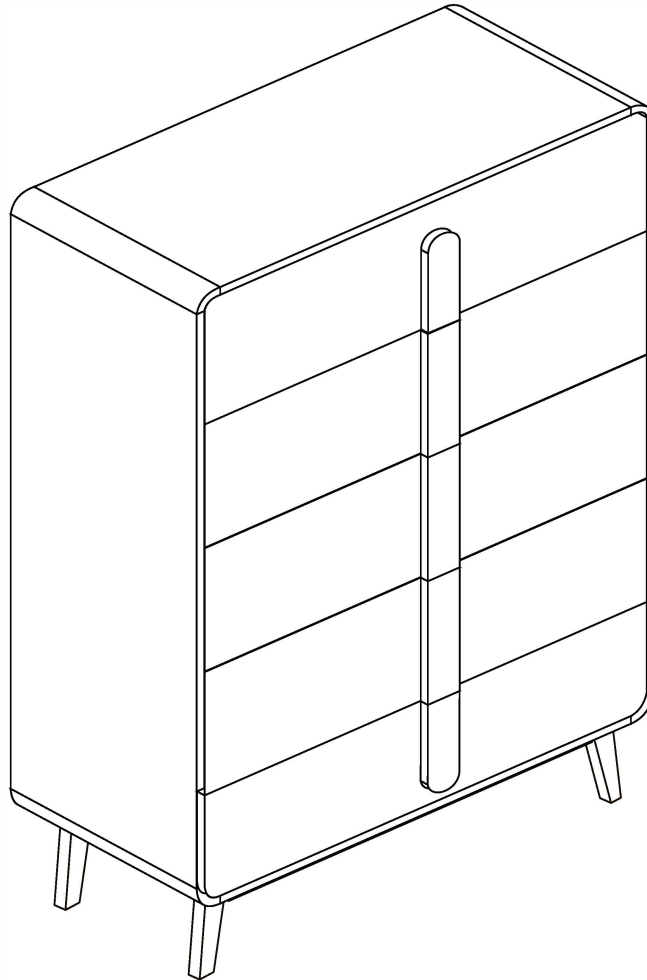


## 5-Drawer Dresser

---



Please make sure to read the instruction manual carefully before installing the product.

---

### Do Not Return This Product!

Contact our customer service team  
for help first.

## WARNING

- Unit can tip over causing severe injury or death.
- Anchor unit to stud in wall ( if instructed to )
- Do Not allow children to climb on unit.
- put heavy items on lower shelves or drawers.

**PEOPLE NEEDED  
FOR ASSEMBLY: 2**

## CONTACT US!

### Do NOT return this product!

Contact our friendly customer service team first for help.

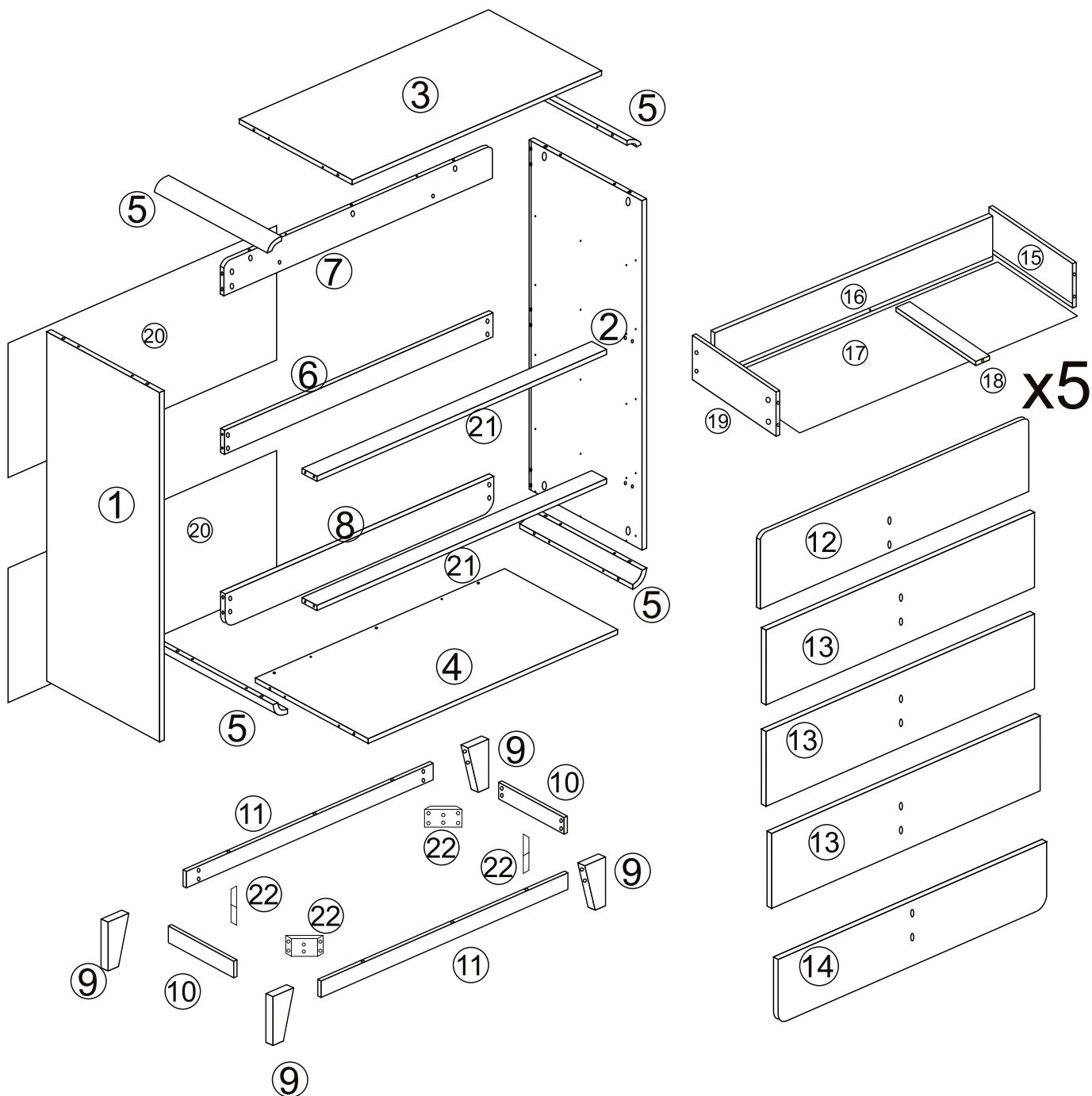
- Open your item in the area you plan to keep it to avoid excessive heavy lifting.
- Identify, sort and count the parts before attempting assembly.
- Back panel must be used to make sure your unit is sturdy.
- Do NOT use harsh chemicals or abrasive cleaners on this item.
- Never push,pull,or drag your furniture.



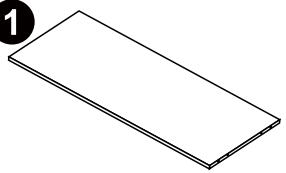
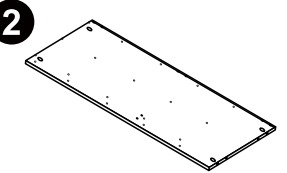
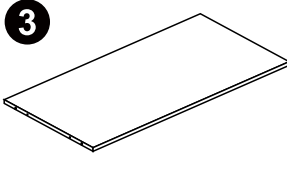
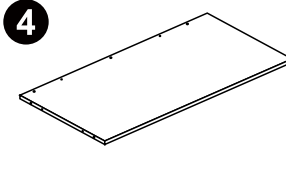
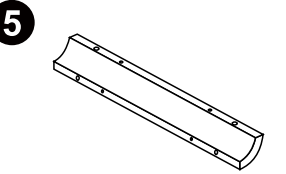
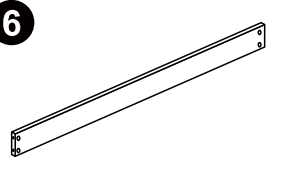
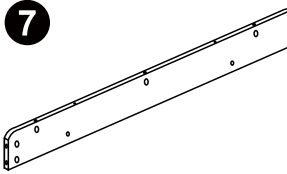
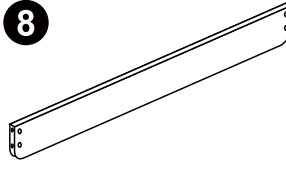
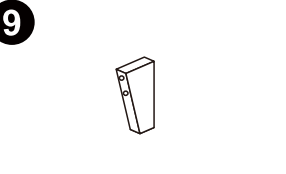
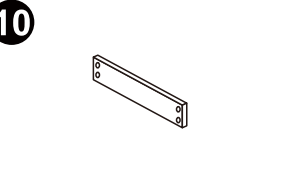
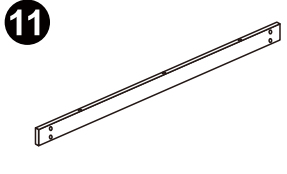
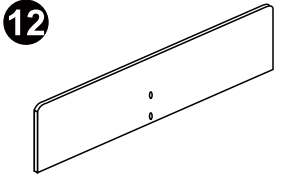
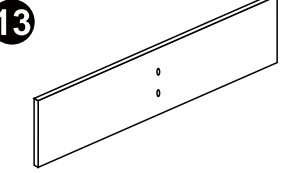
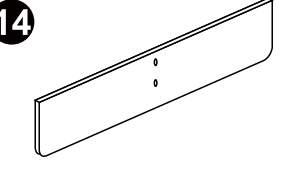
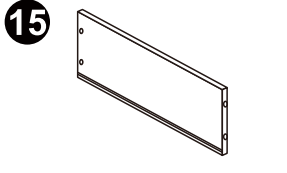
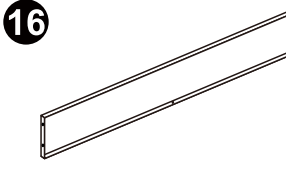
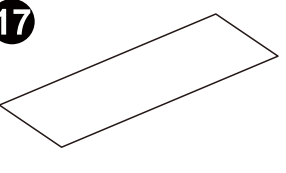
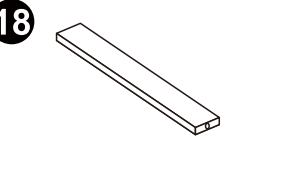
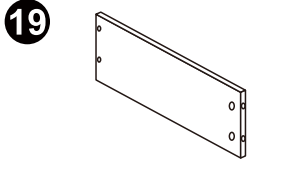
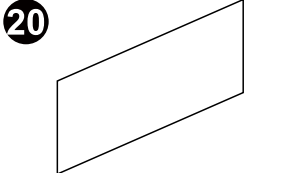
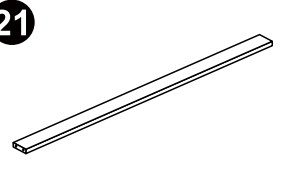
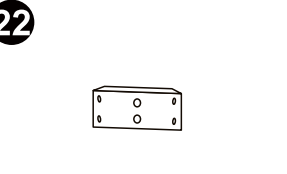
## BEFORE YOU START

- Read through each step carefully and follow the proper order
- Separate and count all your parts and hardware
- Give yourself enough room for the assembly process
- Have the following tools:Flat Head Screwdriver,#2 Phillips Head Screwdriver and Hammer
- Caution: IF using a power drill or power screwdriver for screwing,please be aware to slow down and stop when screw is tight.Failure to do so may result in stripping the screw.

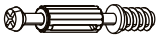




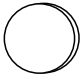
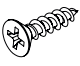
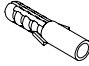

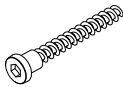
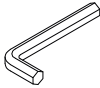







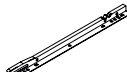
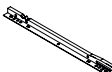
# BOARD IDENTIFICATION



# BOARD IDENTIFICATION

<b>1</b> 	<b>2</b> 	<b>3</b> 	<b>4</b> 
1PC	1PC	1PC	1PC
<b>5</b> 	<b>6</b> 	<b>7</b> 	<b>8</b> 
4PCS	1PC	1PC	1PC
<b>9</b> 	<b>10</b> 	<b>11</b> 	<b>12</b> 
4PCS	2PCS	2PCS	1PC
<b>13</b> 	<b>14</b> 	<b>15</b> 	<b>16</b> 
3PCS	1PC	5PCS	5PCS
<b>17</b> 	<b>18</b> 	<b>19</b> 	<b>20</b> 
5PCS	5PCS	5PCS	2PCS
<b>21</b> 	<b>22</b> 		
2PCS	4PCS		

# THE HARDWARE

<b>A</b>	<b>B</b>	<b>C</b> 8x30mm	<b>D</b> 4x35mm	<b>E</b> 4x50mm
				
Cam Bolt	Cam Lock	Wood Dowel	Screw	Screw
64 PCS	64 PCS	24 PCS	28 PCS	8 PCS
<b>F</b>	<b>G</b> 3.5x12mm	<b>H</b>	<b>I</b>	<b>J</b> 5x40mm
				
Cover	Screw	Wall Anchor	Handle	Bolt
20 PCS	70 PCS	2 PCS	2 PCS	8 PCS
<b>K</b>	<b>L</b>	<b>M</b> 6x20mm	<b>N</b>	<b>O</b> 4x22mm
				
Hex Key Wrench	Handle	Bolt	wedge	Screw
1 PC	3 PCS	10 PCS	8 PCS	16 PCS
<b>P</b>	<b>CL</b>	<b>CR</b>	<b>DL</b>	<b>DR</b>
				
Pads	Drawer Slide Kit	Drawer Slide Kit	Drawer Slide Kit	Drawer Slide Kit
4 PCS	5 PCS	5 PCS	5 PCS	5 PCS

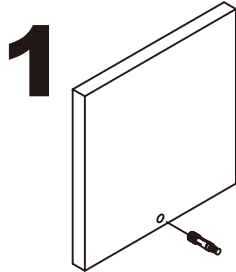
## IMPORTANT :



1. Do not tighten bolts / screws completely until all bolts / screws are lined up and inserted into holes.
2. Do not over tighten screws and bolts to avoid stripping.
3. Please use hand tools to assemble this product. Do not use power tools.

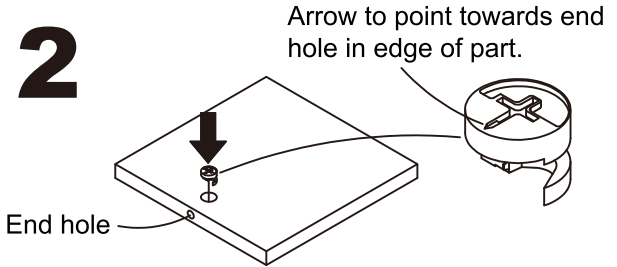
# CAM LOCK FASTENING SYSTEM

This Cam Lock Fastening System will be used throughout the assembly process.



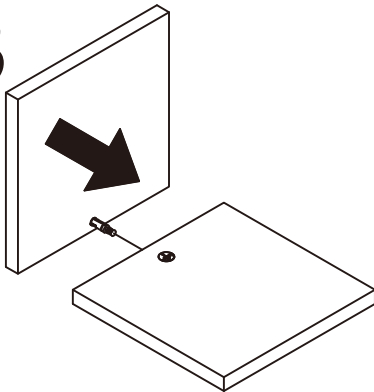
1 Press CAM BOLT into hole.

2



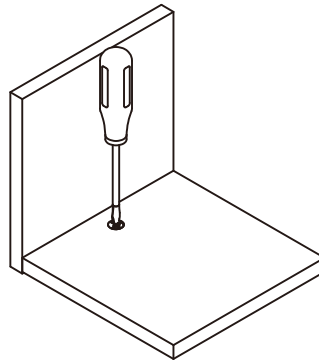
Press CAM LOCK into hole.

3

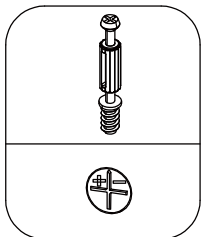


Press parts together so CAM BOLT inserts into edge hole.

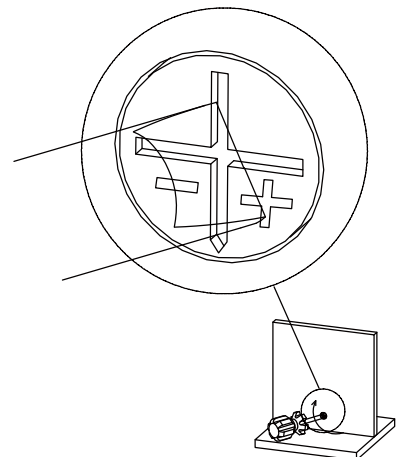
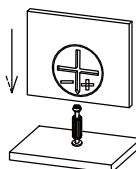
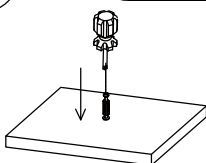
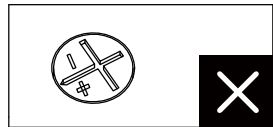
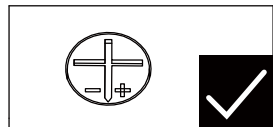
4



Using a screwdriver, turn the CAM LOCK clockwise to lock the CAM LOCK and CAM BOLT into their holes and fastening parts together.

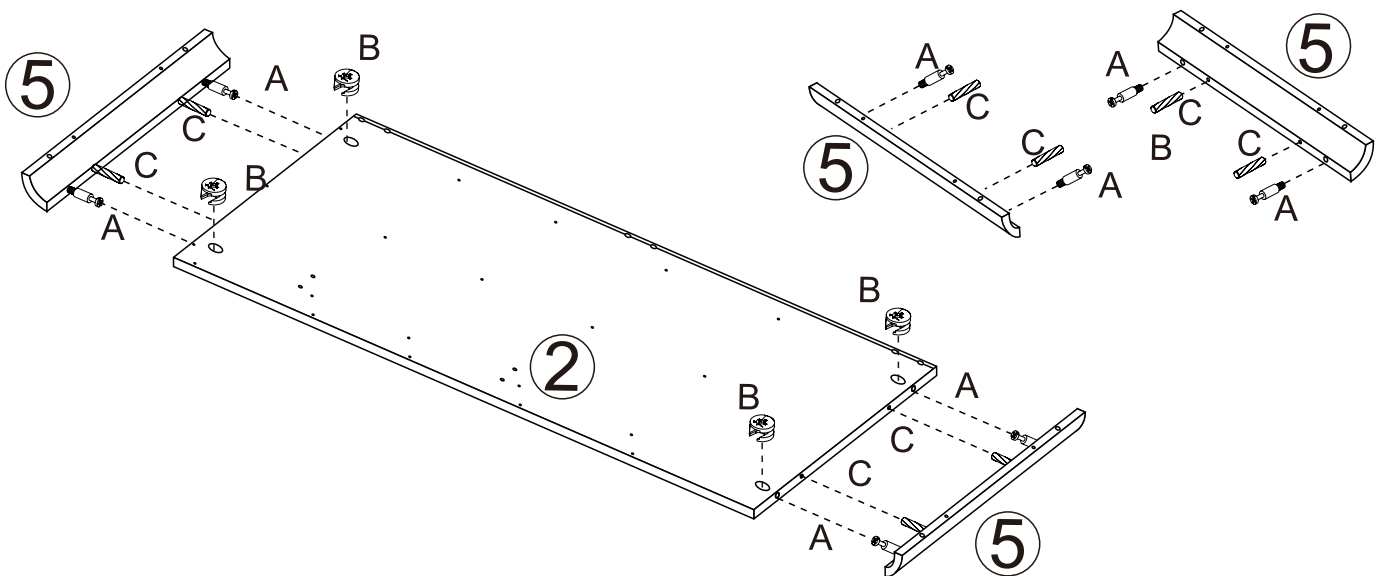
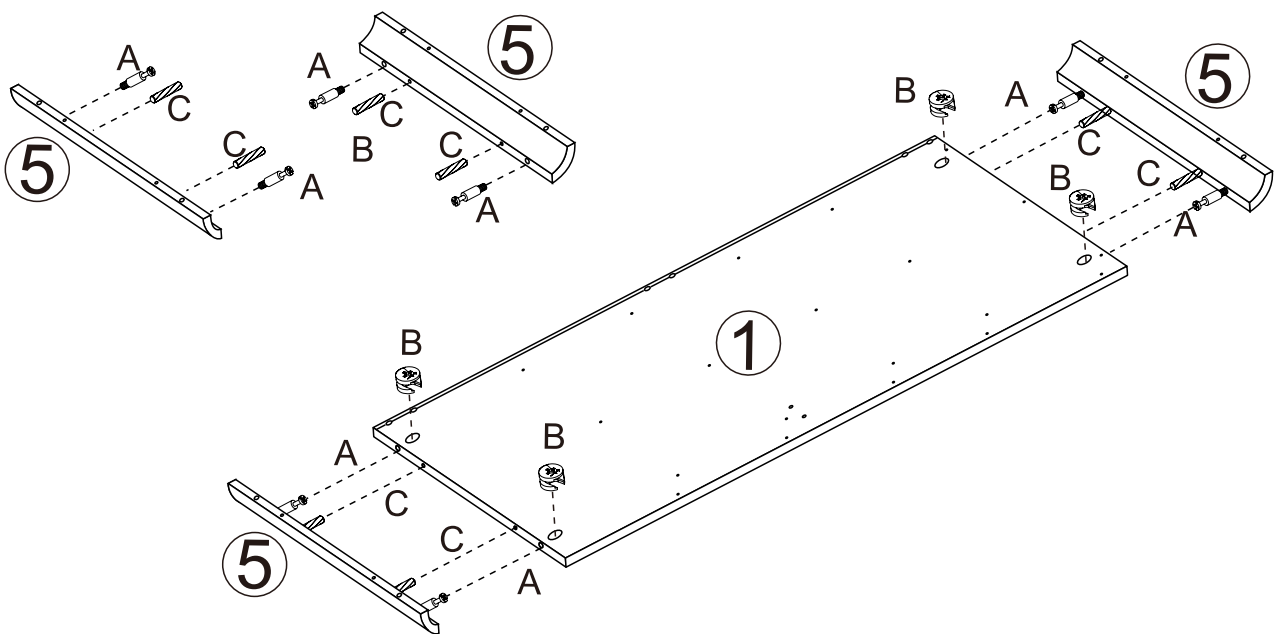
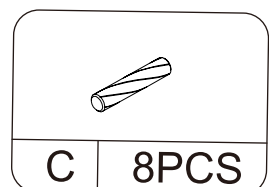
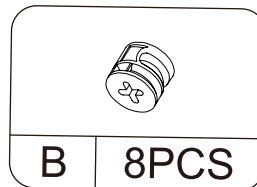
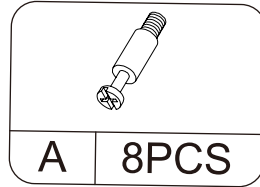


Notice: Proper orientation of CAM LOCK



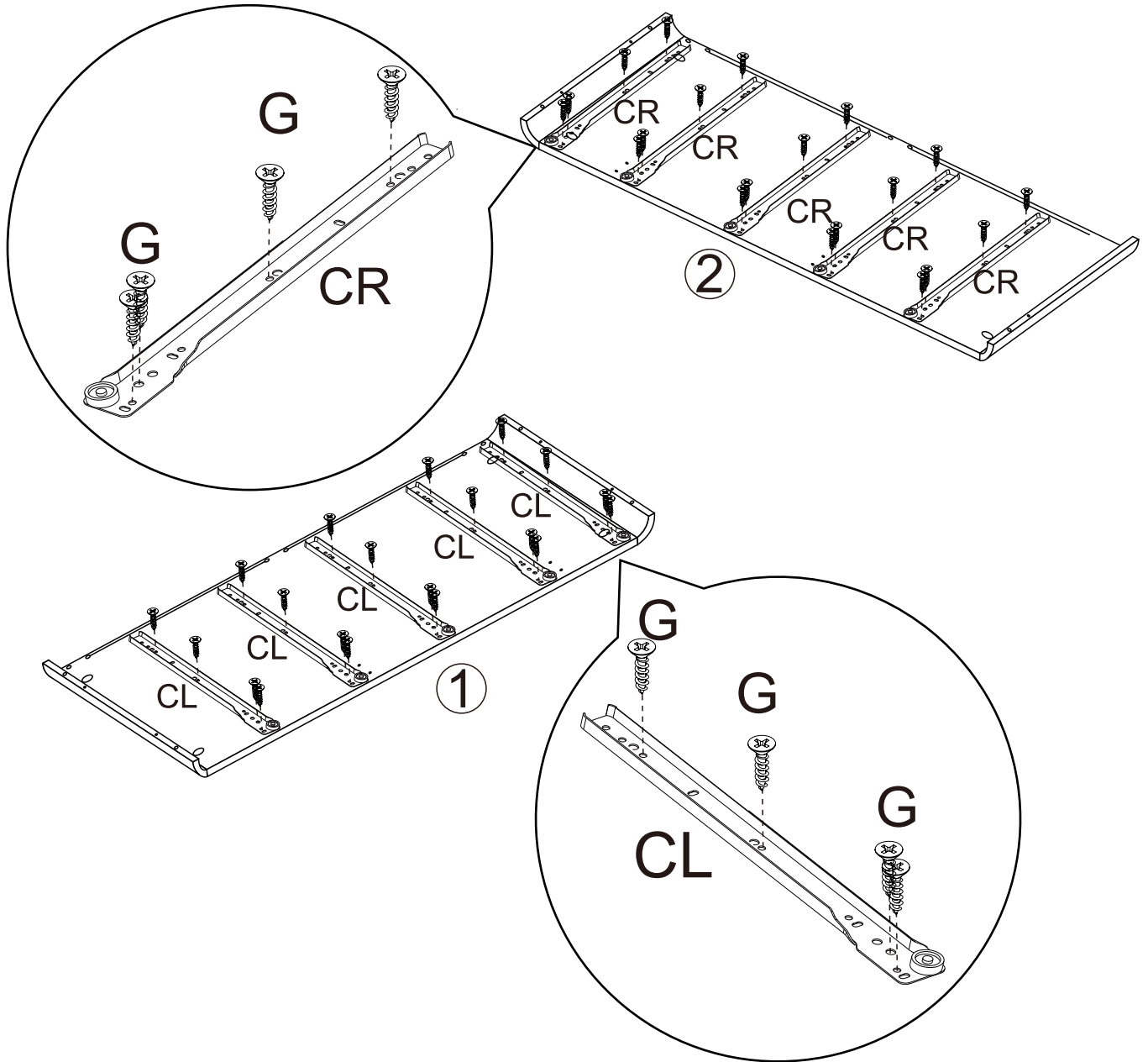
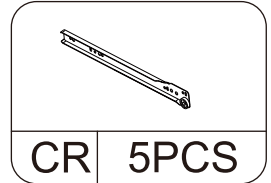
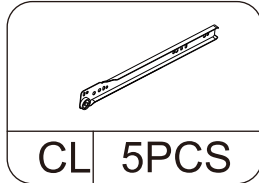
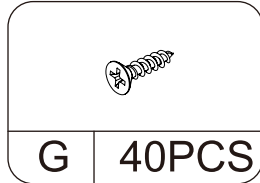
# INSTALLATION STEPS

## STEP 1



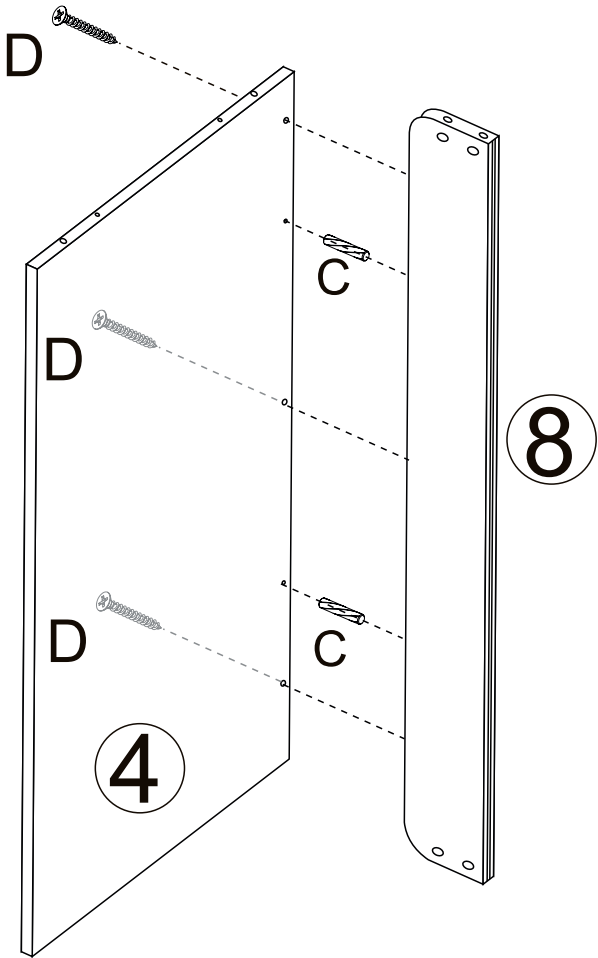
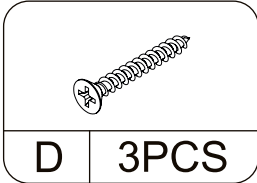
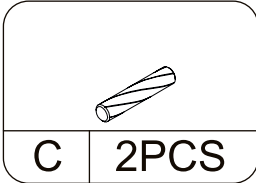
# INSTALLATION STEPS

## STEP 2




INSTALLATION STEPS


STEP 3

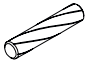


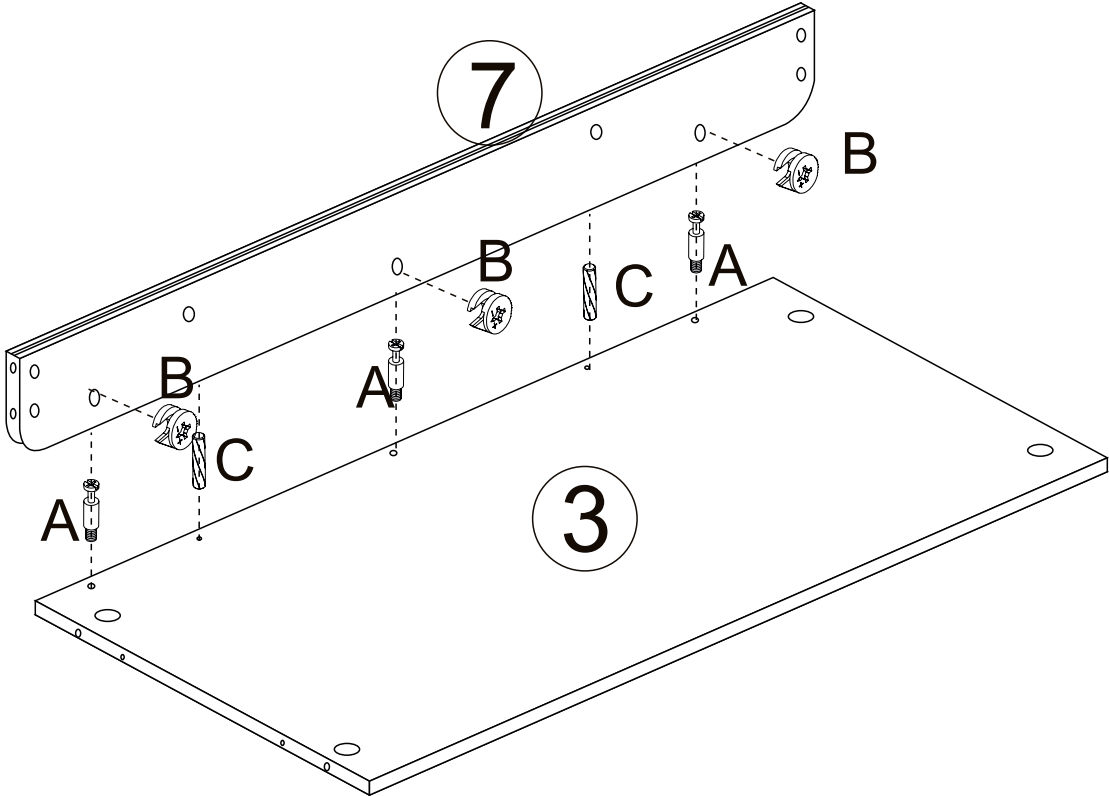
# INSTALLATION STEPS

STEP 4


A   3PCS

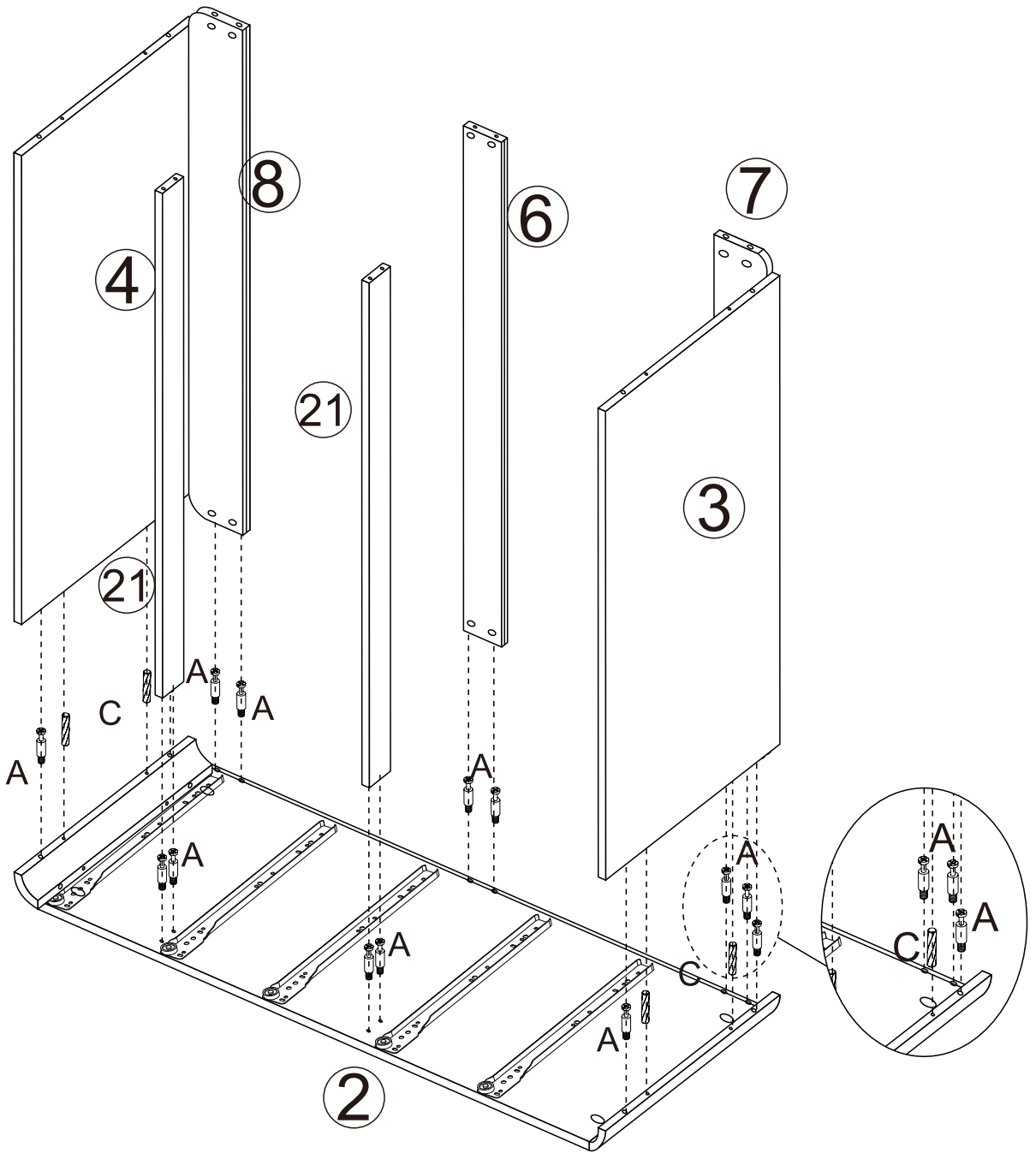
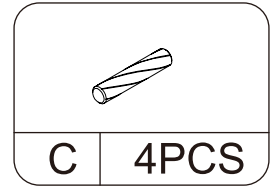
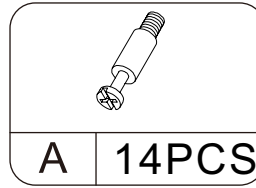

B   3PCS


C   2PCS




# INSTALLATION STEPS

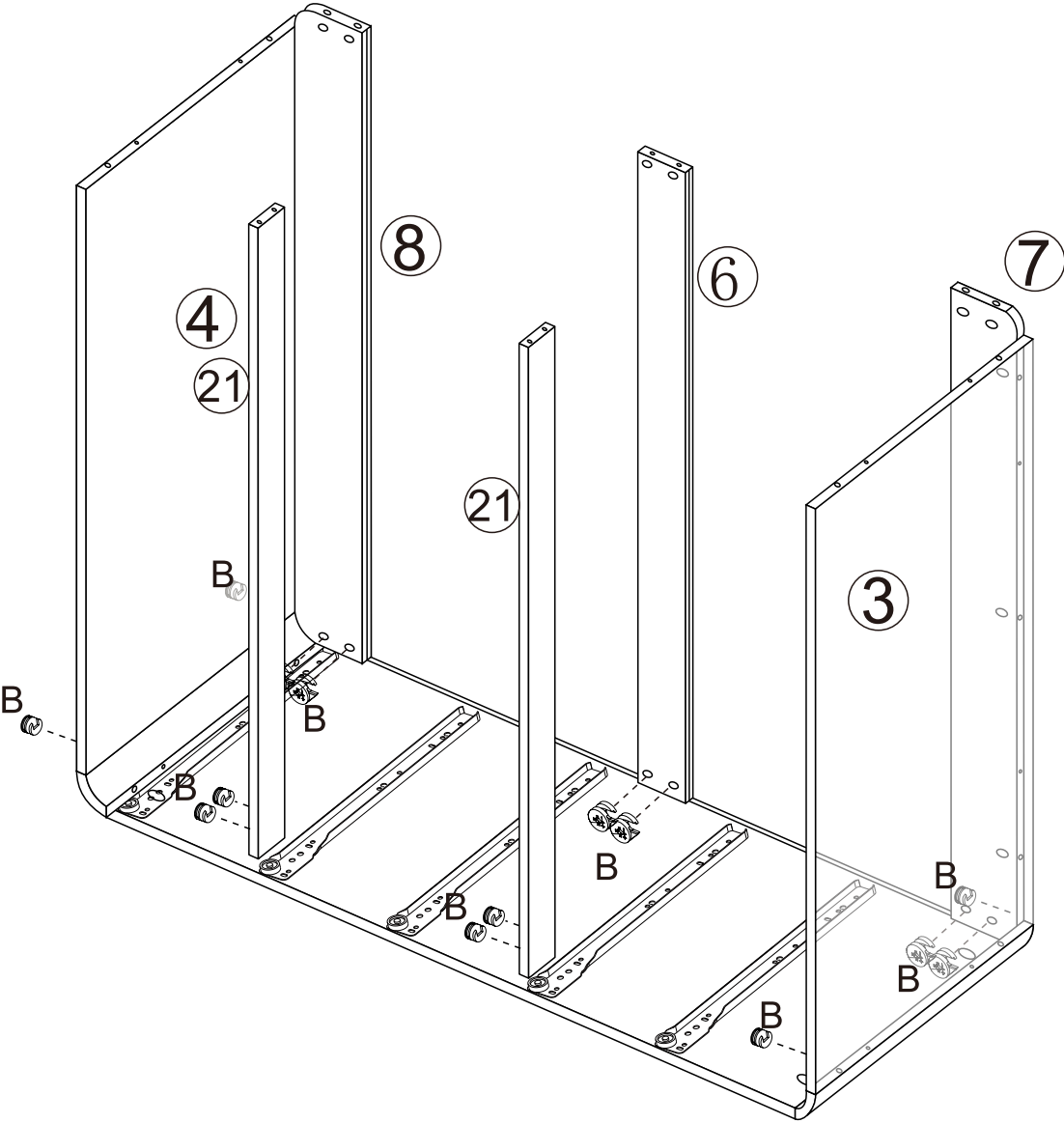
## STEP 5



# INSTALLATION STEPS

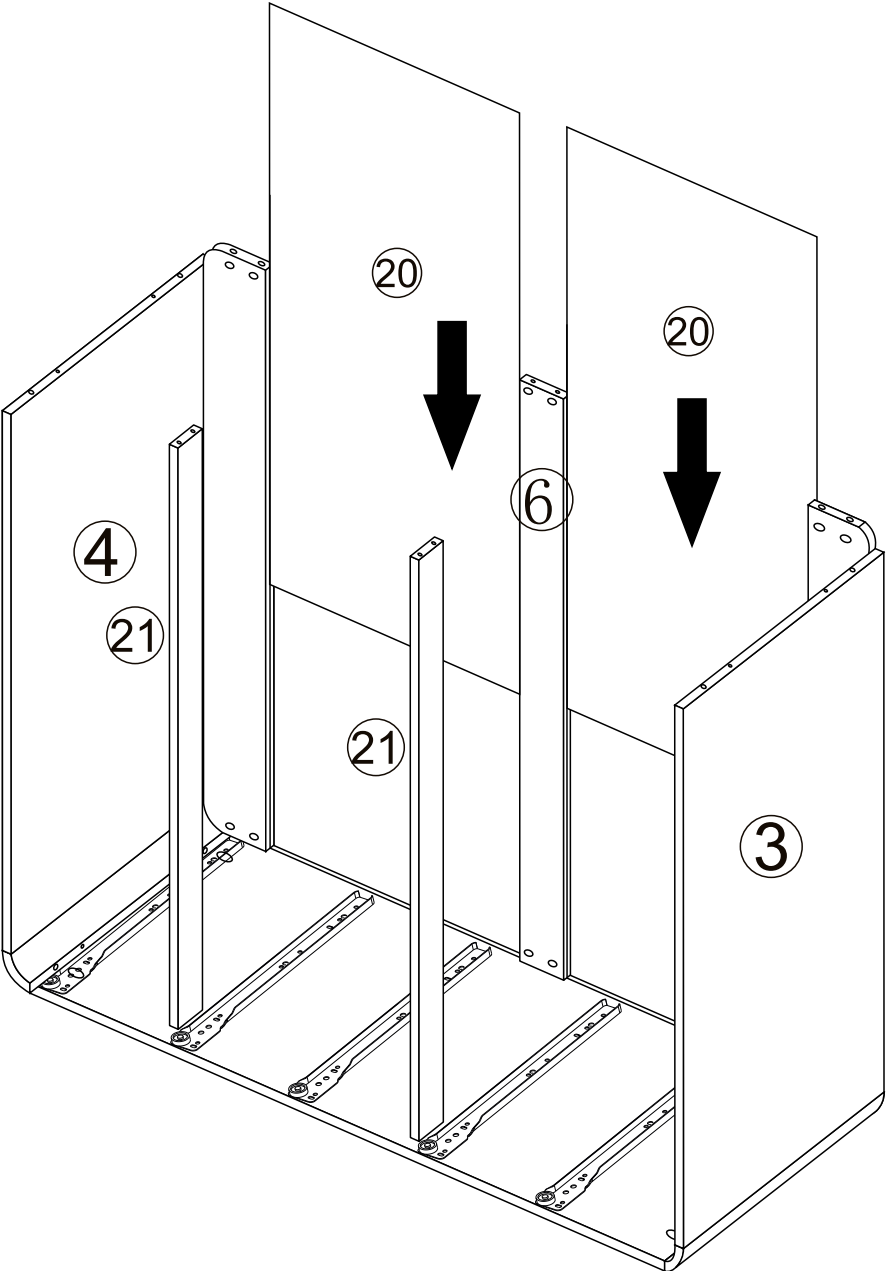
## STEP 6

	
B	14PCS



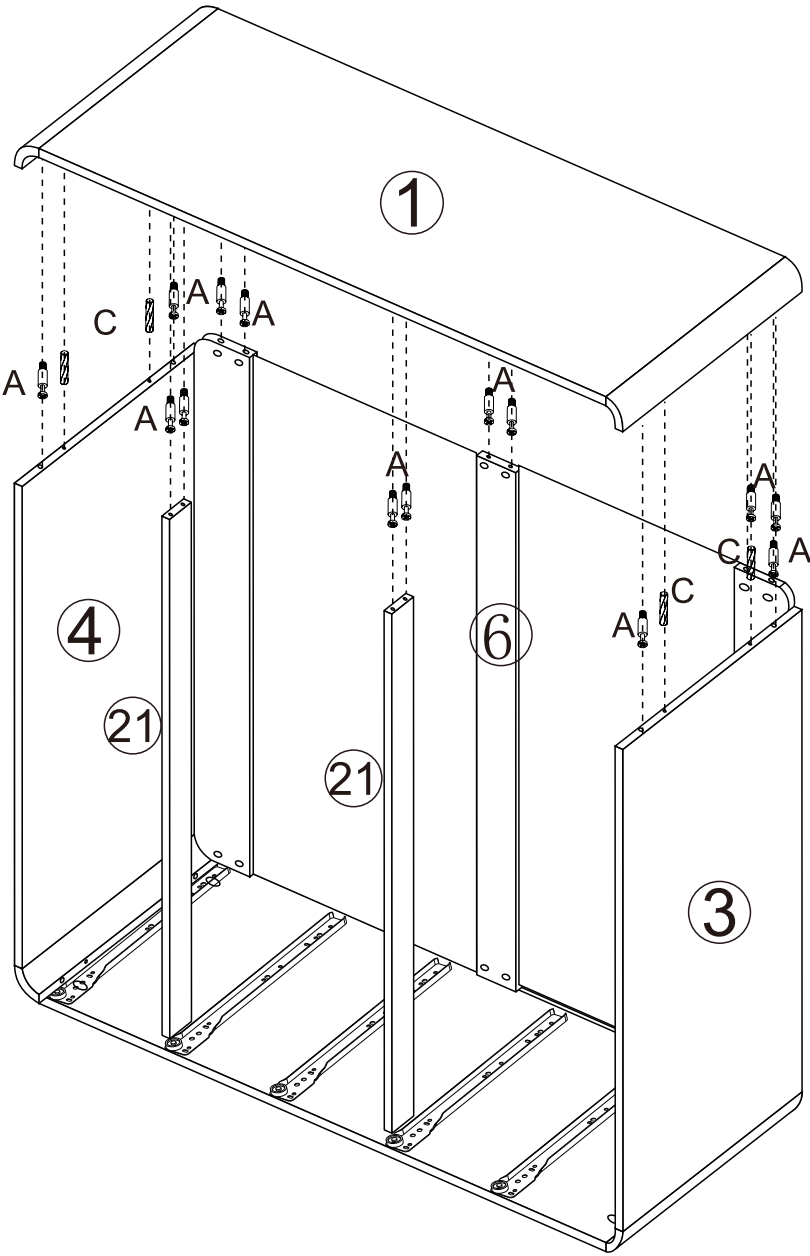
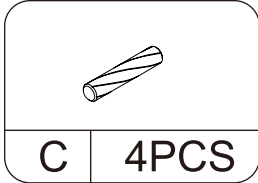
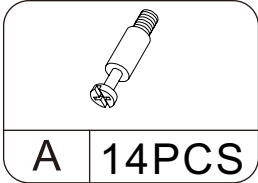
# INSTALLATION STEPS

## STEP 7




# INSTALLATION STEPS

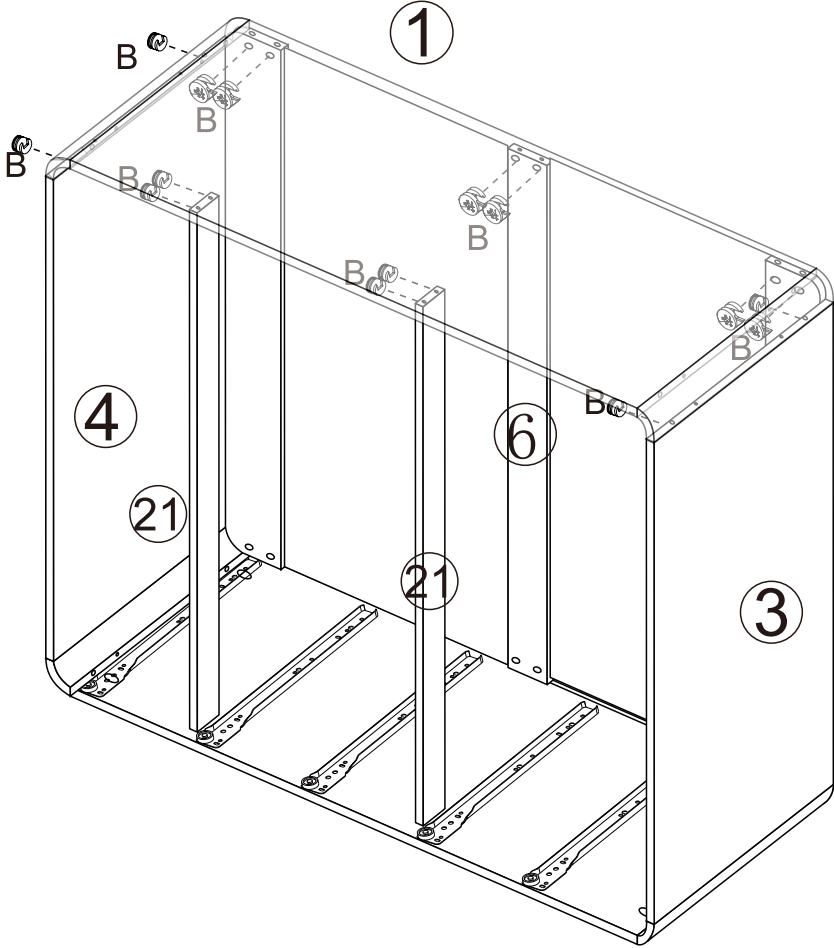
## STEP 8



# INSTALLATION STEPS

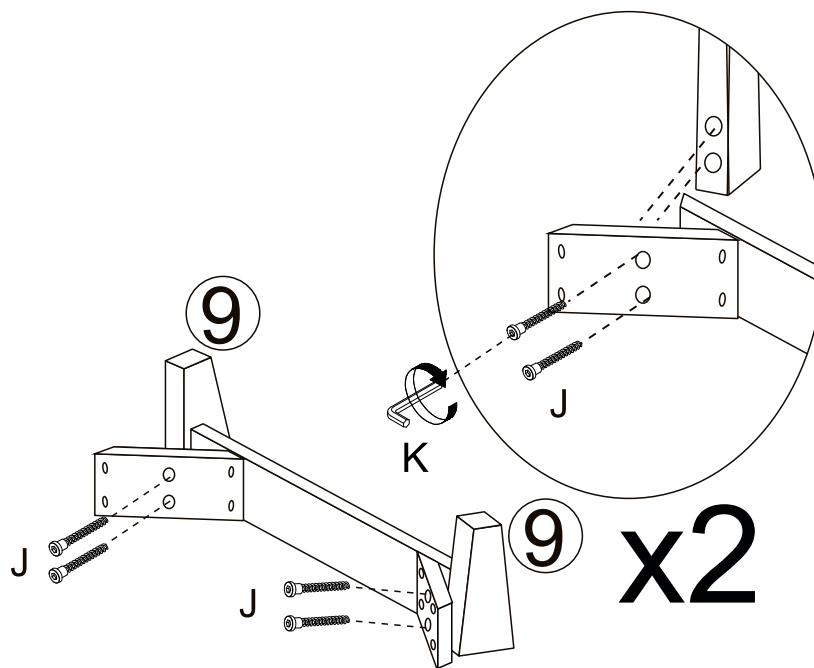
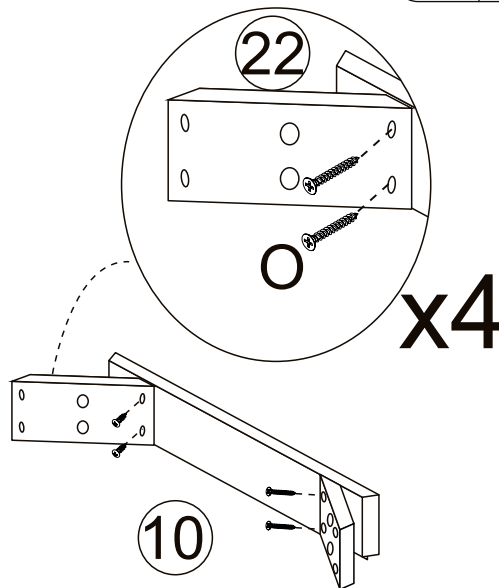
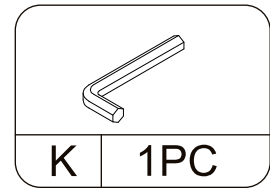
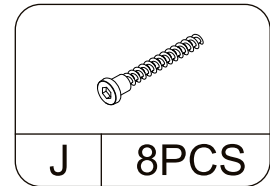
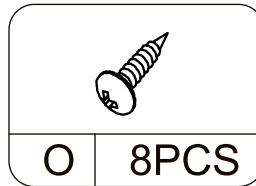
## STEP 9

	
B	14PCS



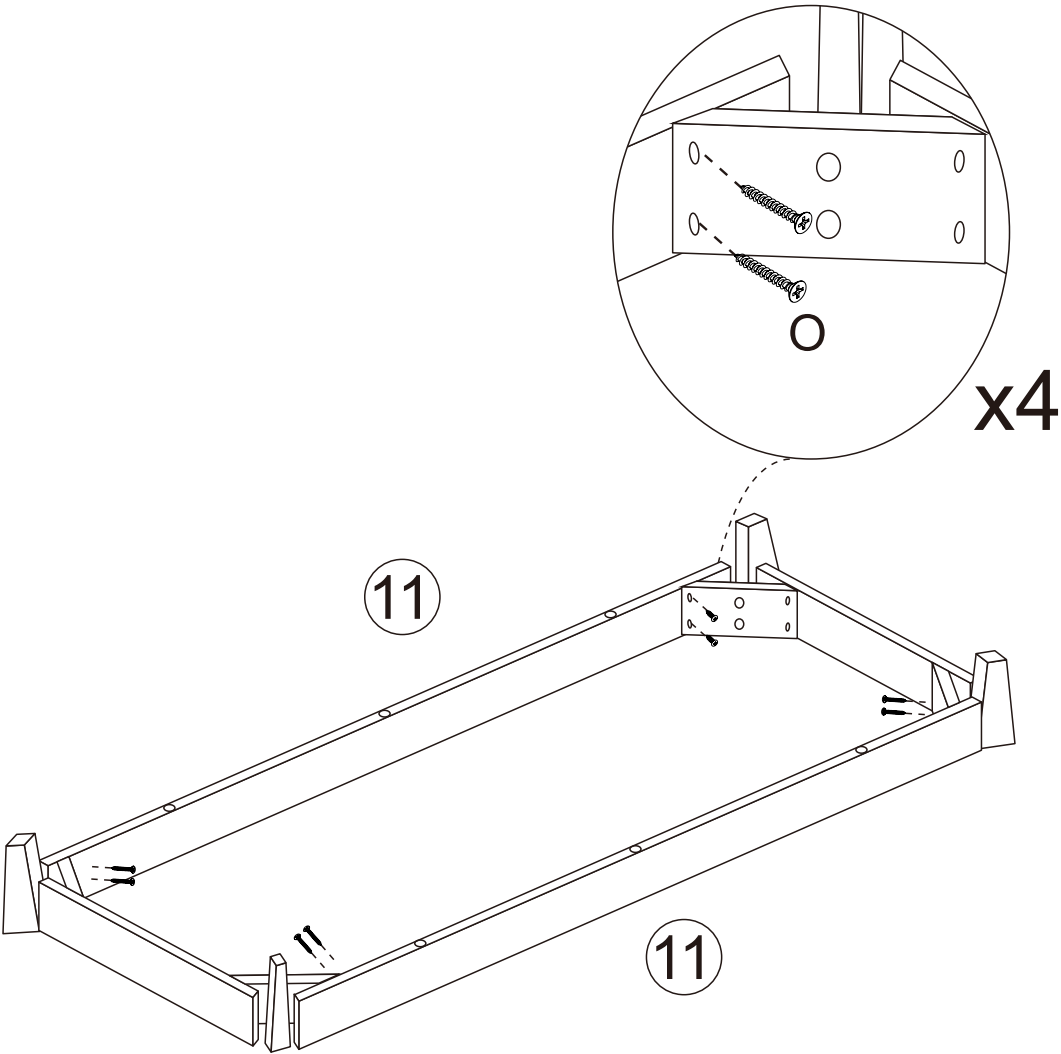
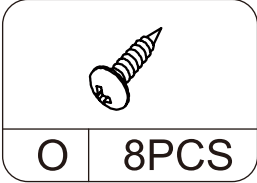
# INSTALLATION STEPS

## STEP 10



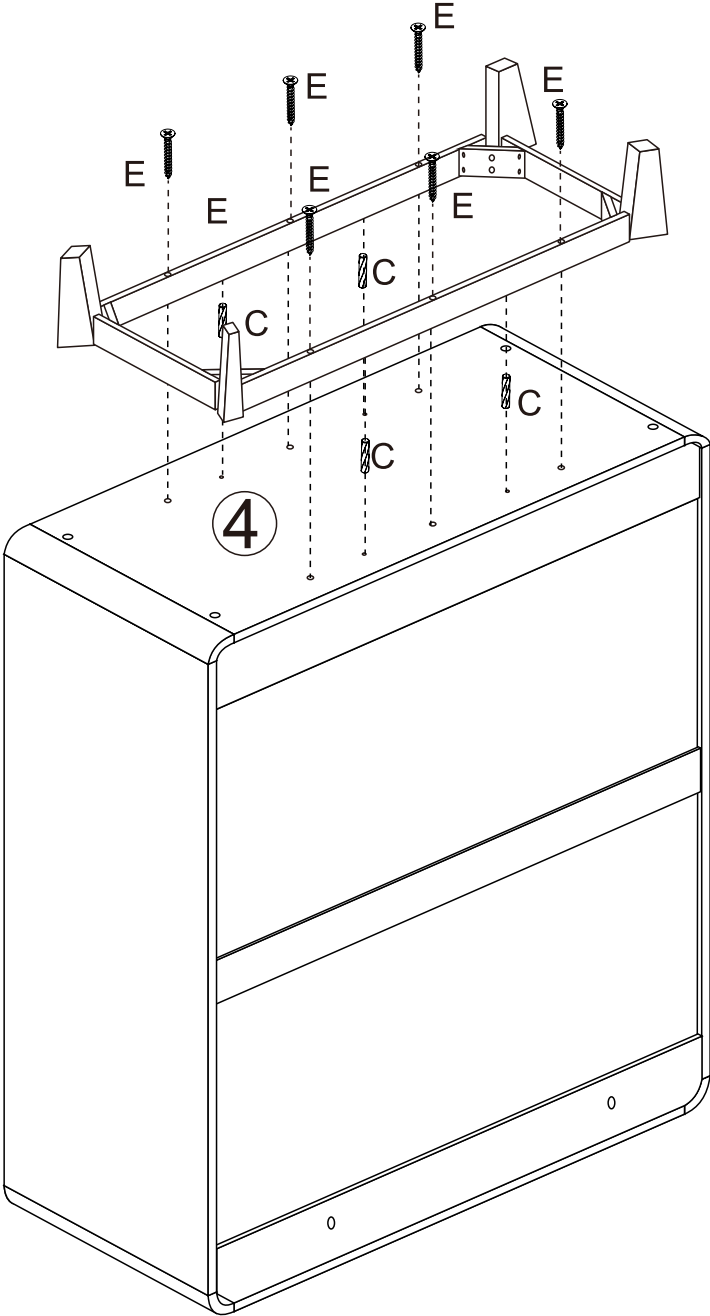
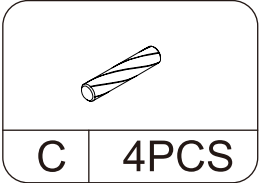
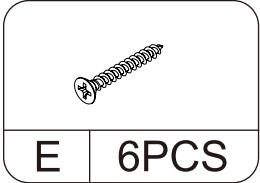
# INSTALLATION STEPS

## STEP 11




# INSTALLATION STEPS


## STEP 12

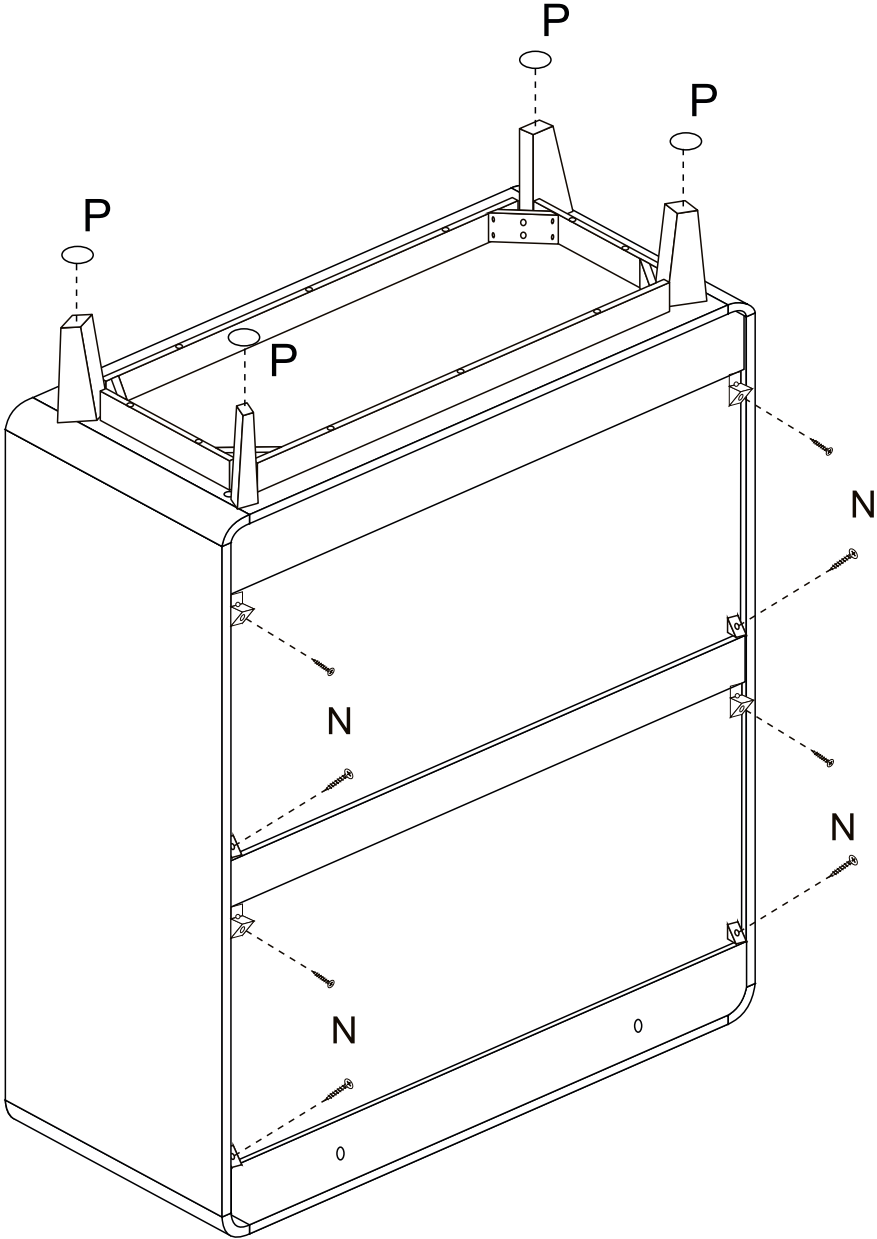


# INSTALLATION STEPS

## STEP 13

	
P	4PCS

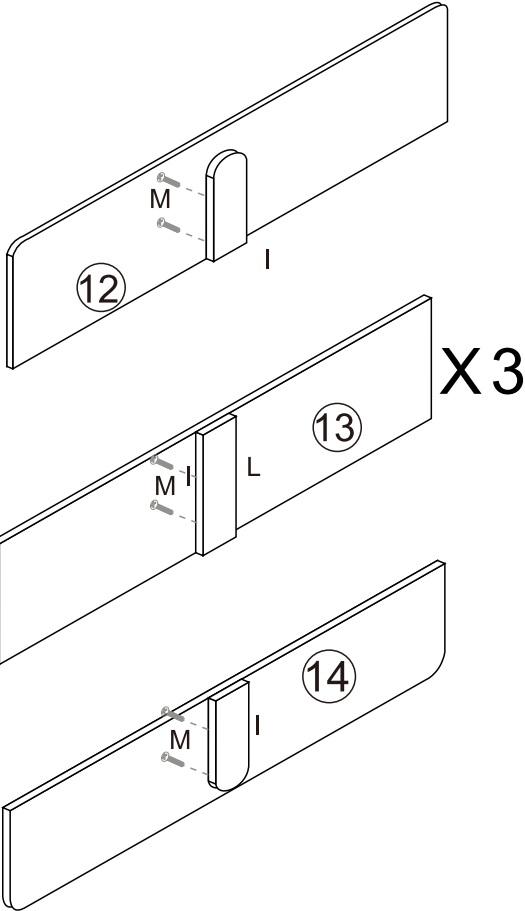
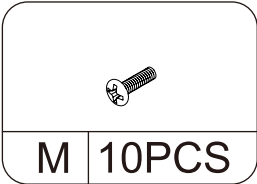
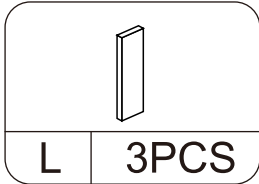
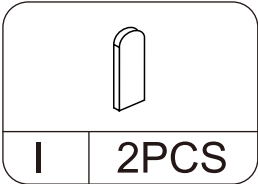
	
N	8PCS





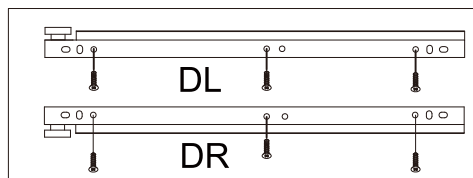
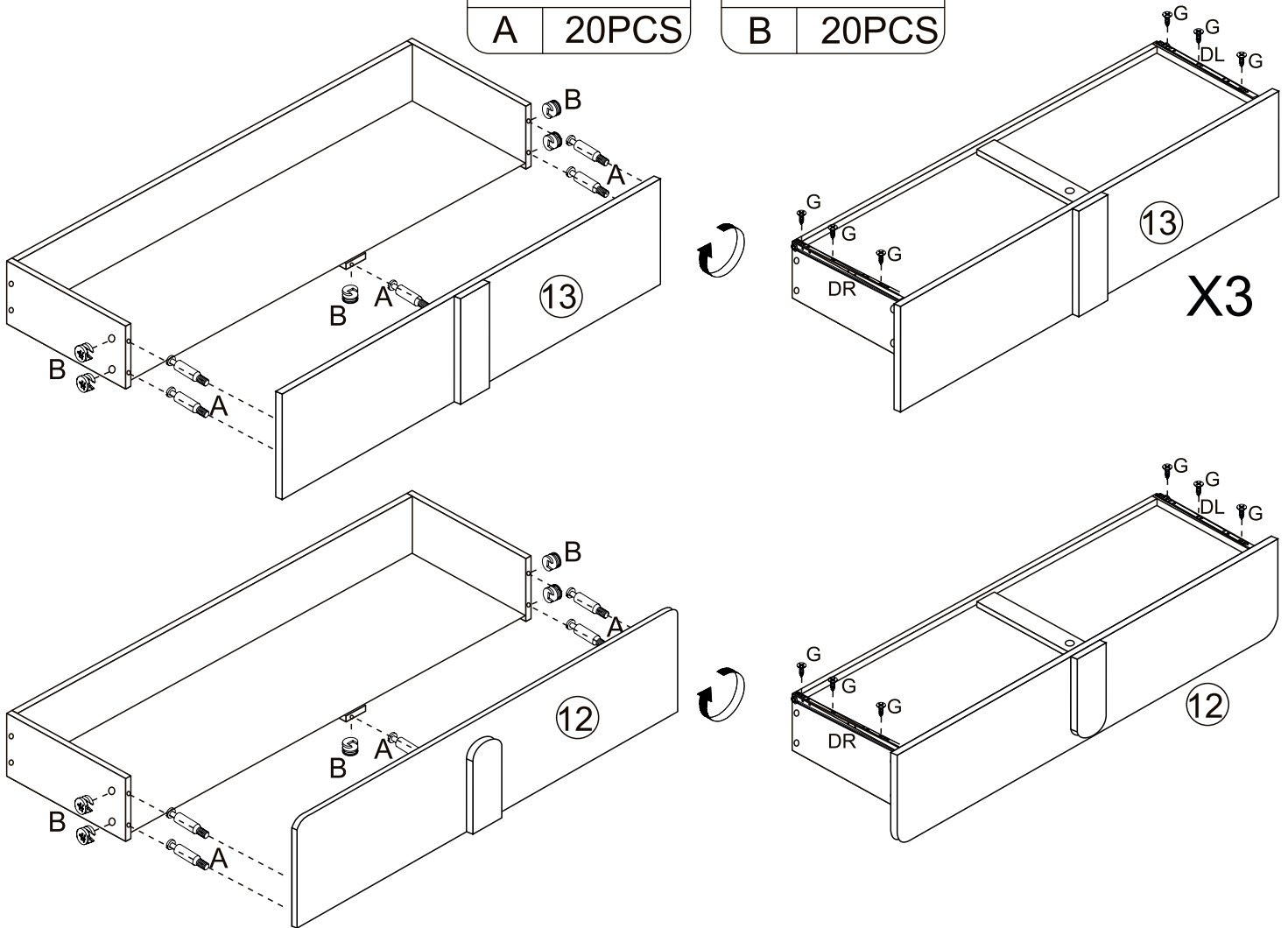
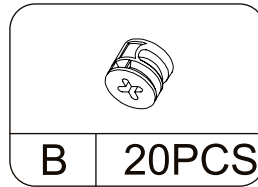
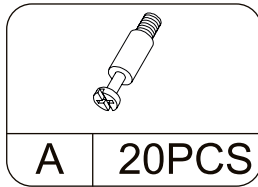
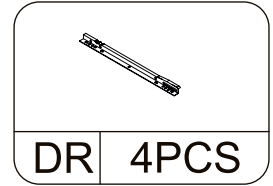
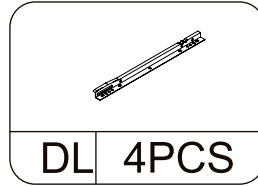
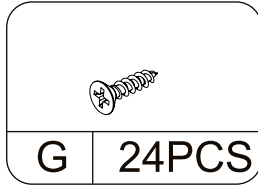
# INSTALLATION STEPS

## STEP 15



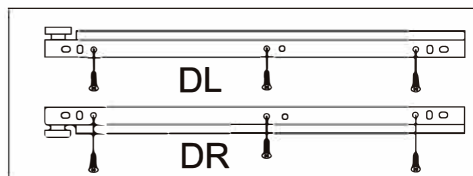
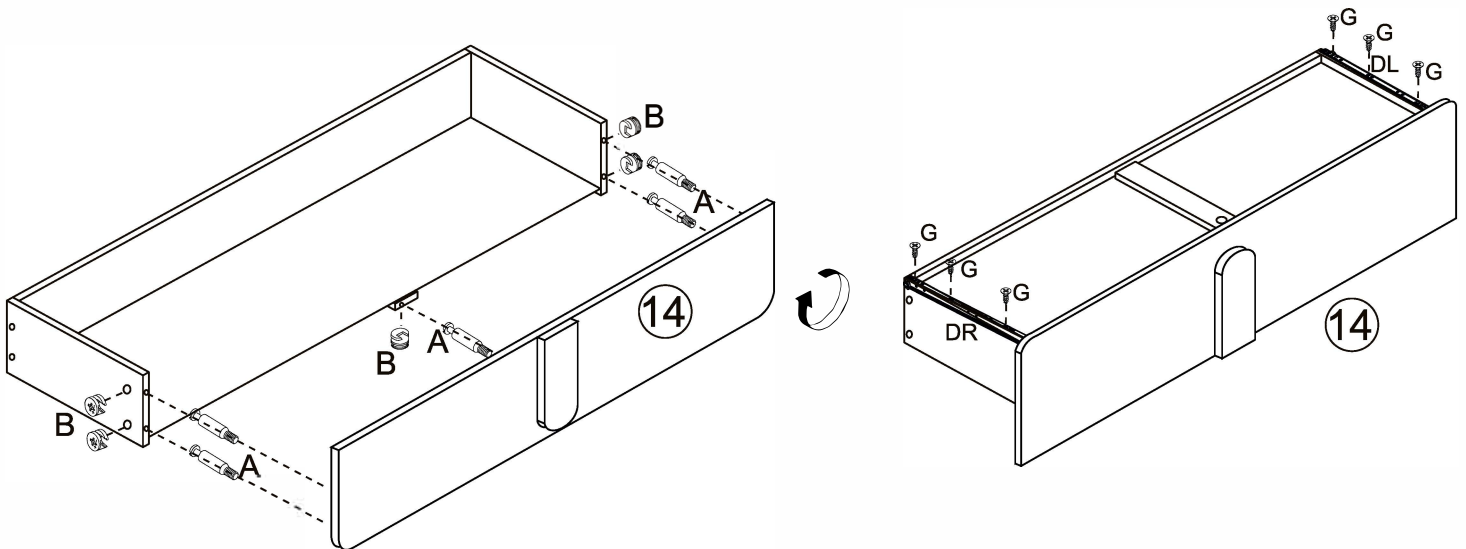
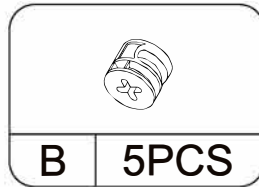
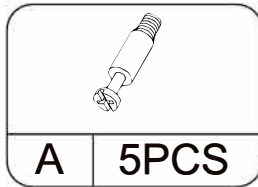
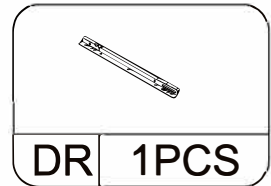
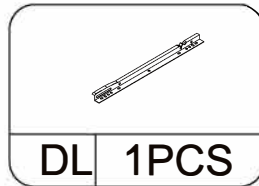
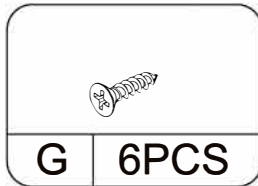
# INSTALLATION STEPS

## STEP 16



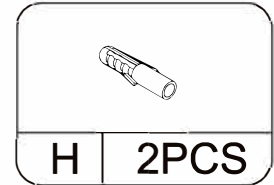
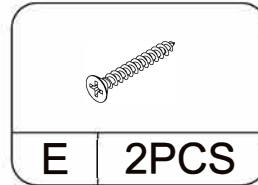
# INSTALLATION STEPS

## STEP 17

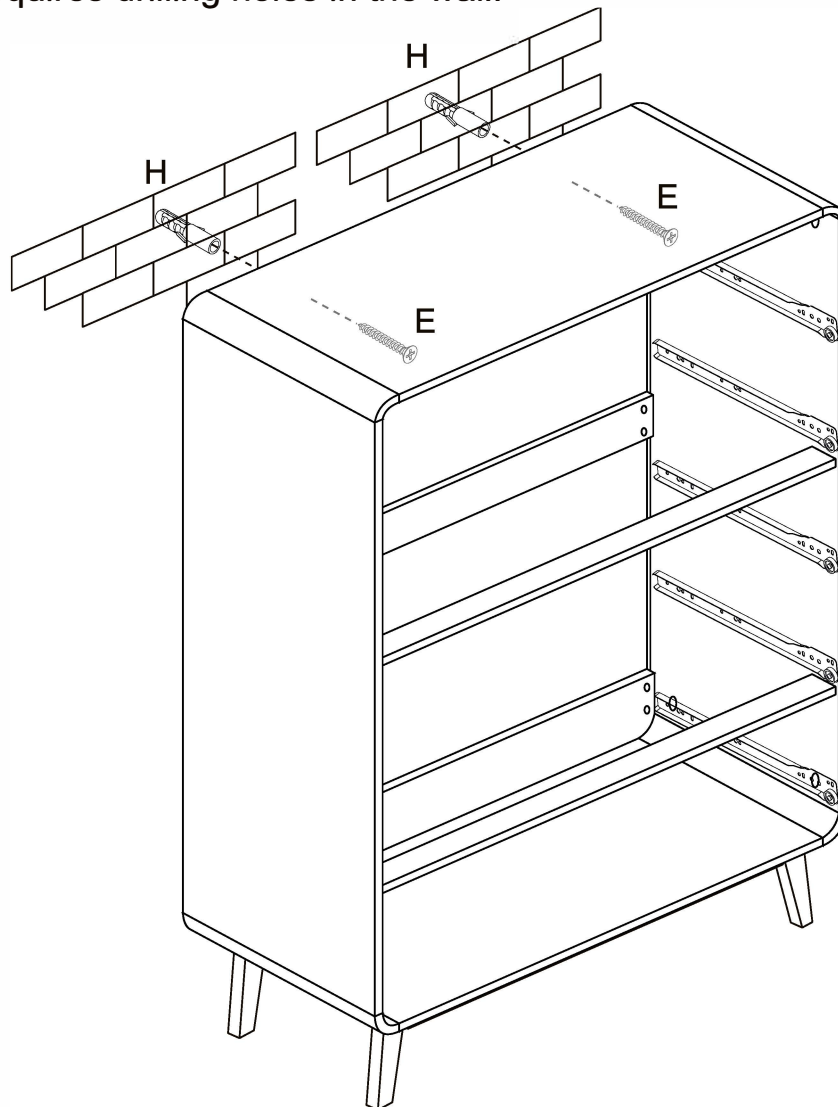


## INSTALLATION STEPS

### STEP 18



Tips: This step is to install the anti-tipping device system, which requires drilling holes in the wall.



## INSTALLATION STEPS

### STEP 19

