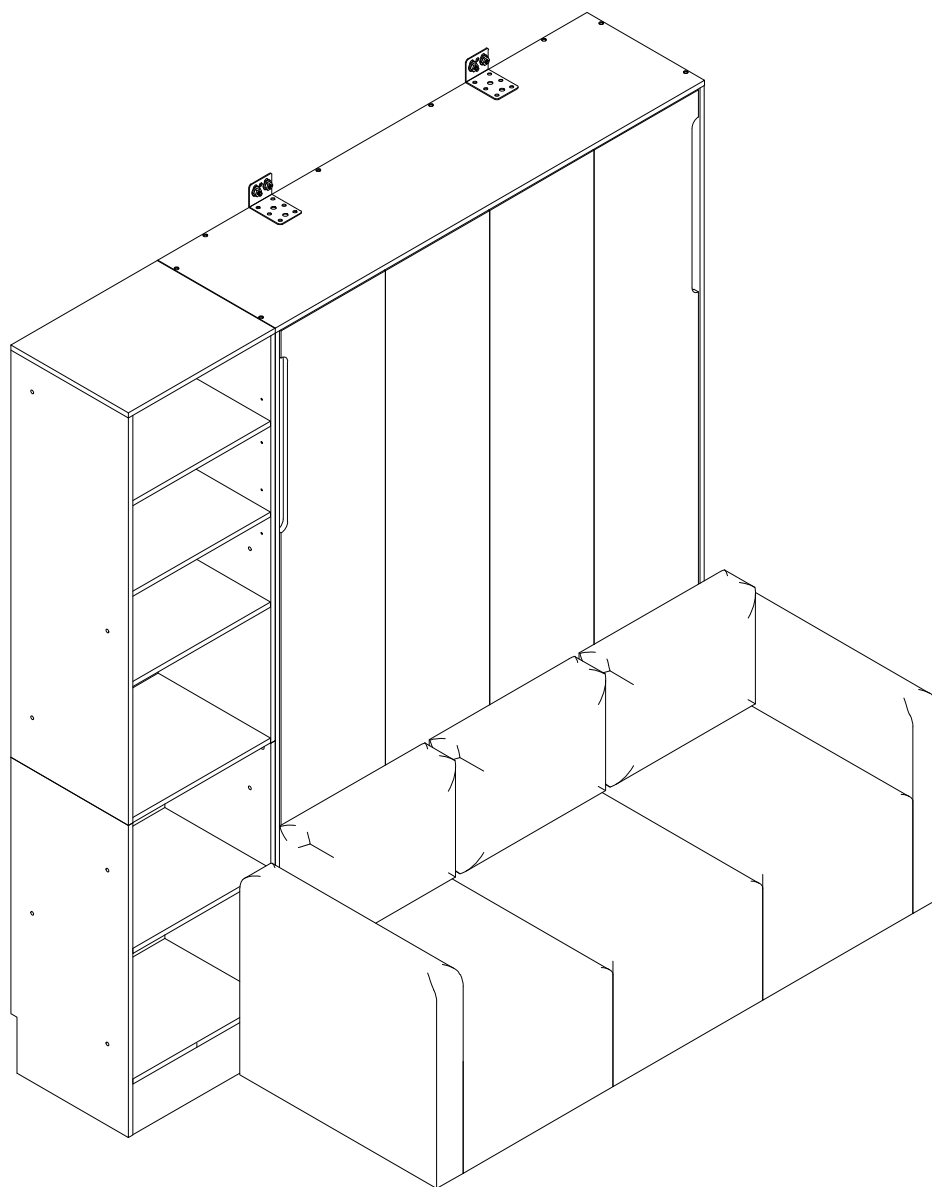


# Murphy bed

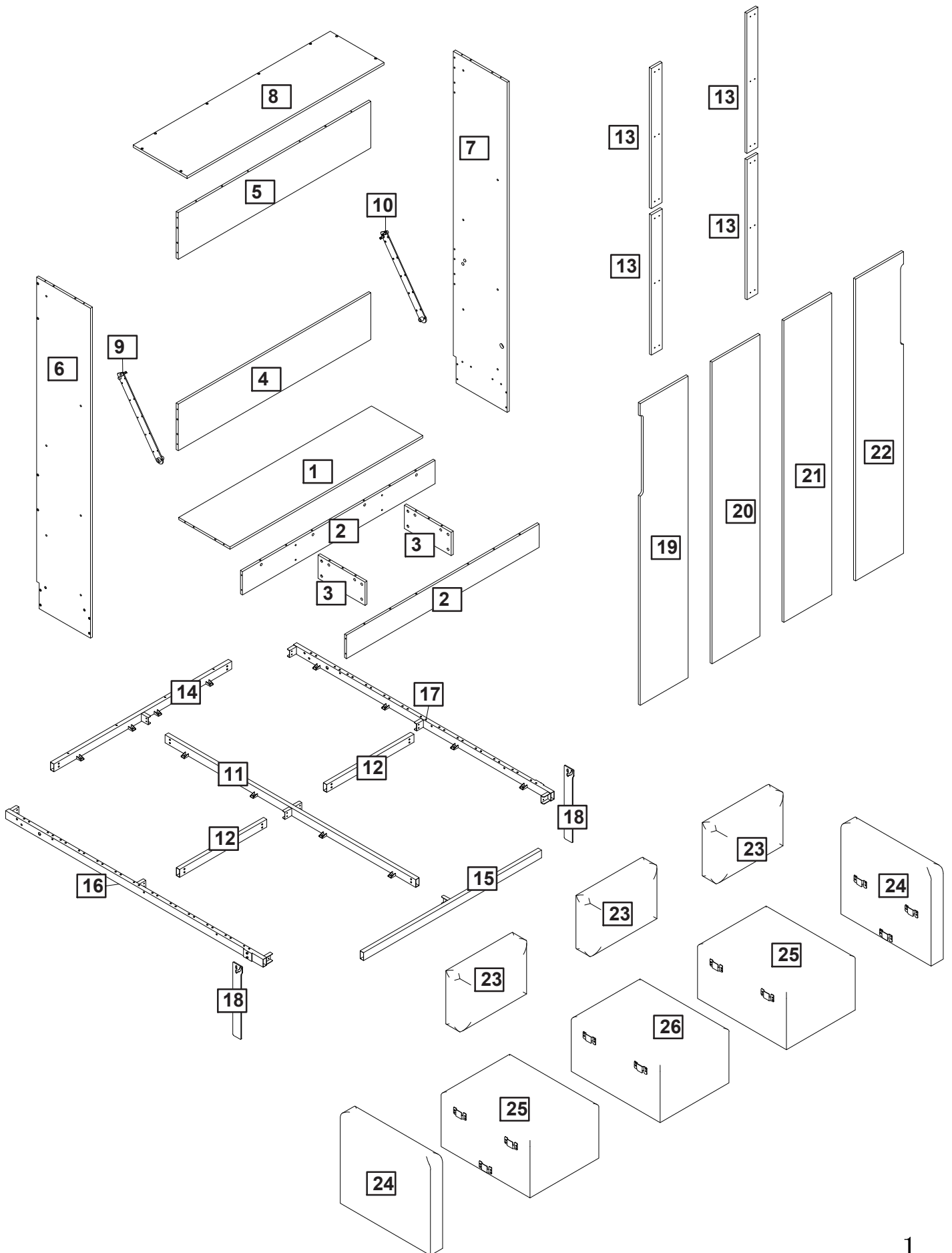
Assembly Instructions - Please keep for future reference



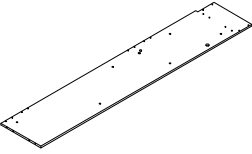
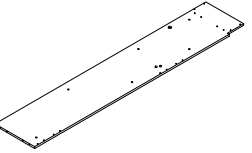
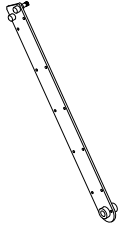
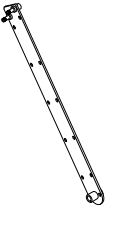
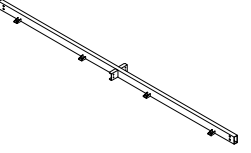
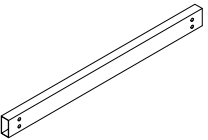
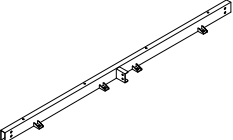
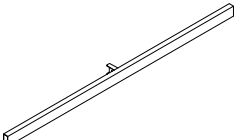
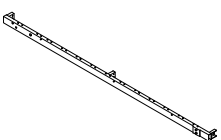
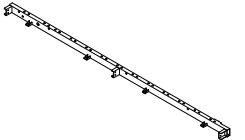

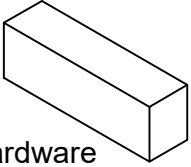
Three people are required to assemble and move this model.

Important – Please read these instructions fully before starting assembly





# Assembly Instructions



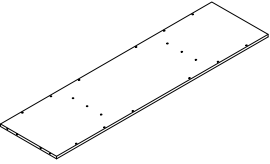
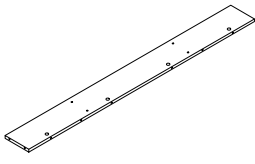
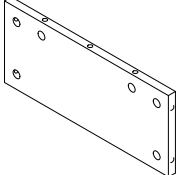
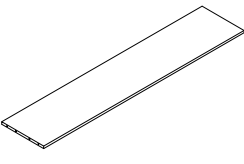
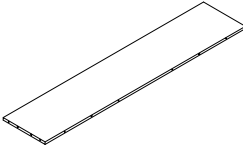
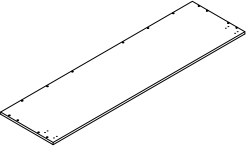
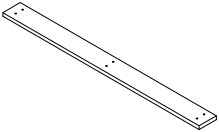

# Part List

<p>⑥</p>  <p>1 PC</p>	<p>⑦</p>  <p>1 PC</p>	<p>⑨</p>  <p>1 PC</p>	<p>⑩</p>  <p>1 PC</p>	<p>⑪</p>  <p>1 PC</p>
<p>⑫</p>  <p>2 PCS</p>	<p>⑭</p>  <p>1 PC</p>	<p>⑮</p>  <p>1 PC</p>	<p>⑯</p>  <p>1 PC</p>	<p>⑰</p>  <p>1 PC</p>
<p>⑱</p>  <p>2 PCS</p>	<p>Hardware</p>  <p>1 PC</p>			

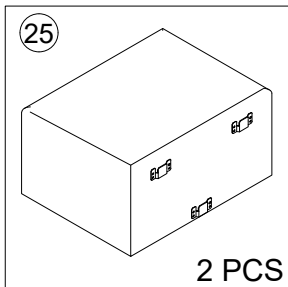
# Part List

<p>⑲</p>  <p>1 PC</p>	<p>⑳</p>  <p>1 PC</p>	<p>㉑</p>  <p>1 PC</p>	<p>㉒</p>  <p>1 PC</p>
--	--	--	--

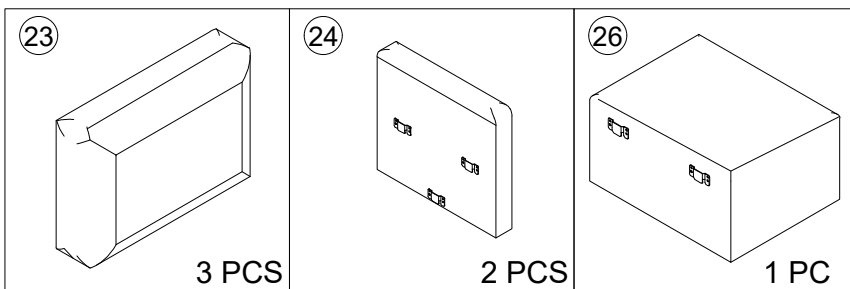
# Part List

 <p>1 PC</p>	 <p>2 PCS</p>	 <p>2 PCS</p>	 <p>1 PC</p>	 <p>1 PC</p>
 <p>1 PC</p>	 <p>4 PCS</p>	 <p>13 PCS</p>		

# Part List



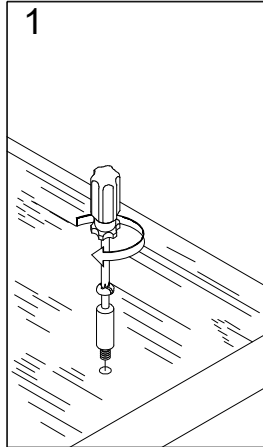
# Part List



# Using Camlocks

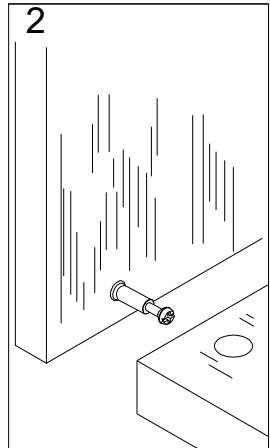
## Step 1

Connect the male camlock as directed in the assembly instructions using a screwdriver.



## Step 2

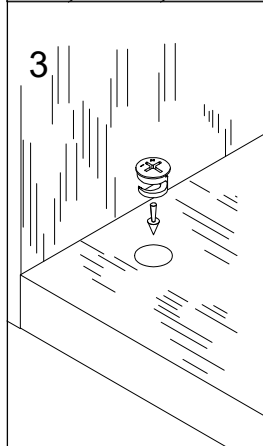
Push the male camlock into the entry hole.



## Step 3

Insert the female camlock as shown in the instruction.

Note: ensure that the arrow on the top of the camlock points towards the entry hole for the male camlock.

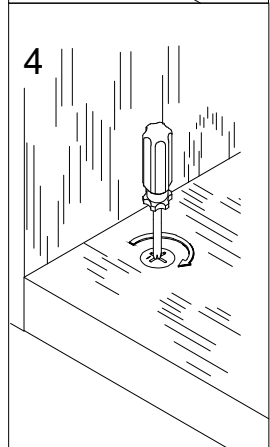


## Step 4

Turn the female camlock clockwise with a screwdriver.

You should feel a click when the camlock is locked in place.

The joint is now secure.



Important information to read before starting the assembly. Keep this information for future reference.

## IMPORTANT WARNINGS

**Risk of serious injuries if the wall bed tips over.**

**To prevent wall bed from tipping over, mount it permanently to the wall.**

Only a qualified person\* must carry out the installation and any possible adjustment of the wall bed (including disassembly). If the wall bed is not firmly mounted (anchored) to the wall, it might tip over and cause serious injuries to the installer, users of the bed as well as the people near the bed.

**The choice of wall anchoring depends on the type of wall. Use wall anchors suitable for the wall material.**



\* Qualified person: it is necessary to have a good understanding of the wall structure where the bed is anchored, including the positioning of the wall studs and structural components in the case of a wood or metal structure. If you do not have the necessary skills, make sure that the installation is done by someone who has the qualifications and required knowledge. When you choose the installer, make sure to comply with all applicable regulations in the province, state or country where the furniture is installed.

## IMPORTANT: BEFORE STARTING ASSEMBLY

Be sure to confirm the following information:

1. The installer has the qualifications \* and required knowledge.
2. Only wall anchor screws for wood-frame walls are provided with this bed. See anchor requirements and installation notes provided in the instruction manual, according to the type of wall, and use the appropriate anchors such as described in this manual.
3. Your bed can hold a maximum distributed weight of 1000 lb (455 kg), including the weight of the mattress.
4. Maximum thickness of mattress: 12 in (30.5 cm), and must stand in vertical position without sagging.
5. The bed will not stay open without the weight of the mattress which must be between: 38 lbs (15 kg) and 90 lbs (41 kg).
6. Minimum ceiling height requirements for installation: 83 in (2.11 m).
7. It is recommended to assess the structural integrity of the floor and wall and to make sure that the wall anchoring devices can withstand the forces generated. More specifically, before installing the wall bed, it is necessary to verify that the floor and the wall on which you want to install the bed are flat and have no structural damage that could affect the installation of the wall bed or its anchoring to the wall. Do not install the bed on weakened or rotten structures.
8. It is necessary to ensure that wall anchors of the bed can withstand forces generated. The value of the holding power ( $F_h$ ) of each anchor should be 630 Newtons (142 lbf).

If the wall bed is not installed properly, the latter might close unexpectedly or could open involuntarily. In addition, if the wall bed is installed incorrectly, one of its structural components may break and fall off.

# WALL ANCHORING REQUIREMENTS & INSTALLATION RECOMMENDATIONS

Important information to read before starting the assembly.  
Keep this information for future reference.



## IMPORTANT WARNINGS

**Risk of serious injuries if the wall bed tips over.**

**To prevent wall bed from tipping over, mount it permanently to the wall.**

Only a qualified person\* must carry out the installation and any possible adjustment of the wall bed (including disassembly). If the wall bed is not firmly mounted (anchored) to the wall, it might tip over and cause serious injuries to the installer, users of the bed as well as the people near the bed.

**The choice of wall anchoring depends on the type of wall. Use wall anchors suitable for the wall material.**

\* Qualified person: it is necessary to have a good understanding of the wall structure where the bed is anchored, including the positioning of the wall studs and structural components in the case of a wood or metal structure. If you do not have the necessary skills, make sure that the wall anchoring is done by someone who has the qualifications and required knowledge. When you choose the installer, make sure to comply with all applicable regulations in the province, state or country where the furniture is installed.

## IMPORTANT WARNINGS



### INSTALLATION AND APPROPRIATE HARDWARE

Using appropriate hardware, all the anchor screws of the wall bed must be firmly secured to the wood or metal studs, the structural components, or a masonry wall.

**Only wall anchor screws for wood-frame walls are provided with this bed.**

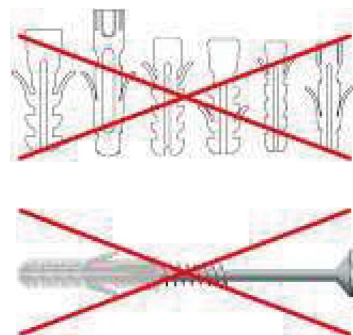
**NEVER USE DRYWALL ANCHOR SCREWS OR SECURE THE BED TO DRYWALL**

See wall anchoring requirements and installation notes provided in the instruction manual, according to the type of wall, and use the appropriate anchors such as described in this manual.

### NUMBER OF SCREWS NEEDED

Two (2) screws are required for each anchor point. Three (3) wall anchor points are necessary for the proper installation of the wall bed. So you need a total of six (6) wall anchor screws.

**THE SCREWS MUST BE VERY WELL ANCHORED TO THE STRUCTURAL COMPONENTS OF THE WALL.**

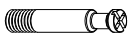


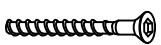

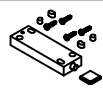
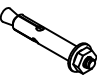


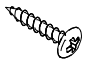

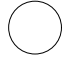



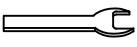

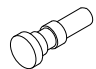




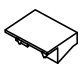
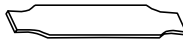


**\*\* A CERTIFIED CONSTRUCTION PROFESSIONAL, IN COMPLIANCE WITH APPLICABLE REGULATIONS IN THE PROVINCE, STATE, OR COUNTRY WHERE THE FURNITURE IS INSTALLED.**

# Part List

Please check you have all the panels listed below

**Note:** The quantities below are the correct amount to complete the assembly. In some cases more fittings may be supplied than are required.

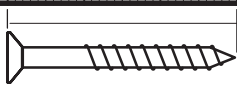
<b>A</b>  Male Camlock x 20	<b>B</b>  Female Camlock x 20	<b>C</b>  Dowel x 24
<b>D</b>  6.8*48mm Screw x 28	<b>E</b>  Hex Key M4 x 1	<b>F</b>  Magnetic bump x 2
<b>G</b>  Expansion screw x 4	<b>H</b>  MATTRESS SUPPORT x 2	<b>I</b>  Corner code x 2
<b>J</b>  4*16mm Screw x 36	<b>K</b>  4*30mm Screw x 24	<b>L</b>  Ø20 Sticker x 40
<b>M</b>  Webbing x 2	<b>N</b>  Nylon washer (19*1.5) x 4	<b>O</b>  Nut M8 x 8
<b>P</b>  Wrench x 1	<b>Q</b>  6*12mm Screw x 4	<b>R</b>  x 2
<b>S</b>  Cylinder x 4	<b>T</b>  6*12mm Screw x 44	<b>U</b>  8*45mm Screw x 4
<b>V</b>  6*25mm Screw x 2	<b>W</b>  Single plastic cap x 26	<b>X</b>  Slat x 13

## Tools required



Ruler - Use this ruler to help correctly identify the screws

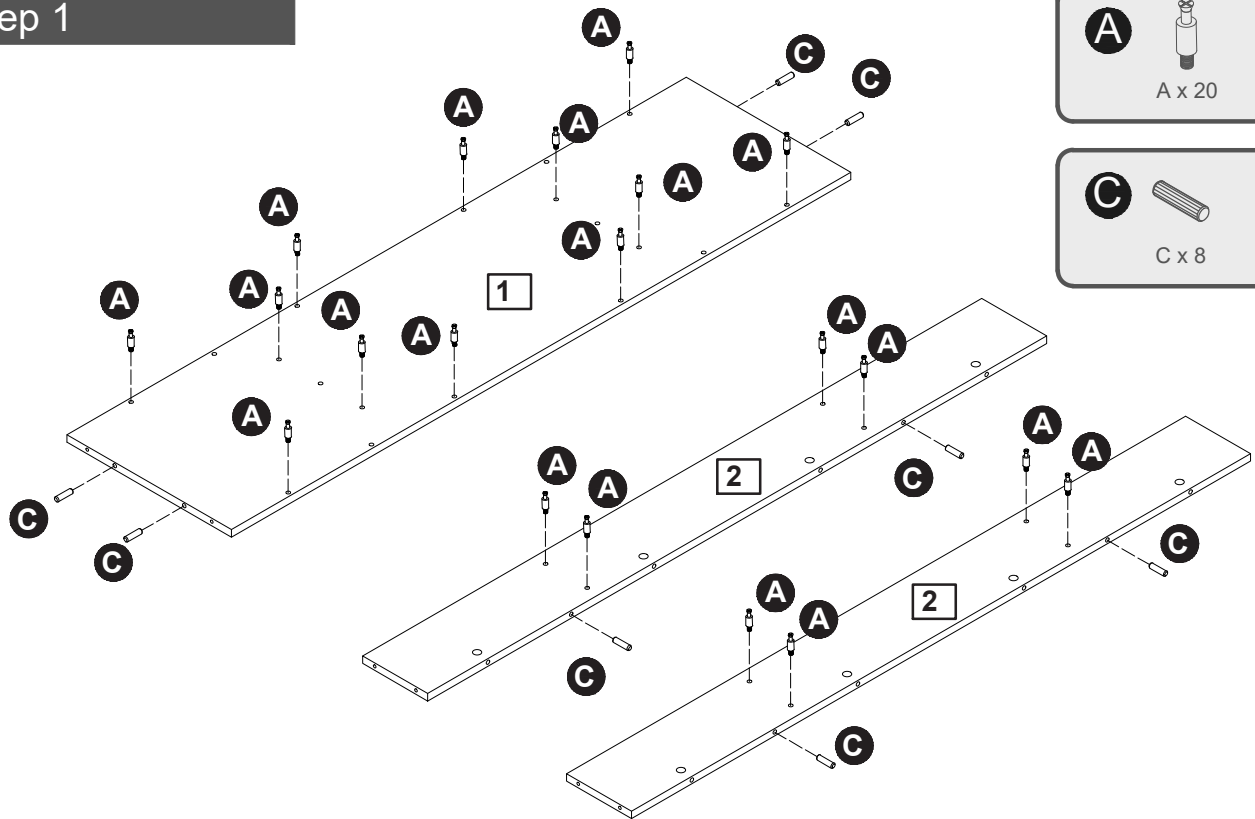
0 5 10 15 20 25 30 35 40 45 50 55 60 65 70 75 80 85 90 95 100 105 110 115 120 125 130 135 140 145 150 155 160 165 170



The screws length is measured from the head to the point (30mm screw shown).

# Assembly Instructions

## Step 1



A



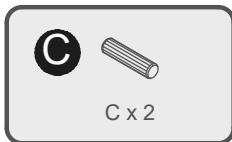
A x 20

C



C x 8

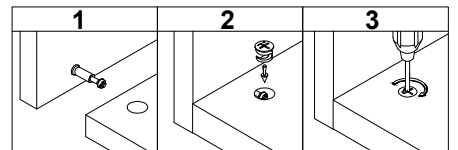
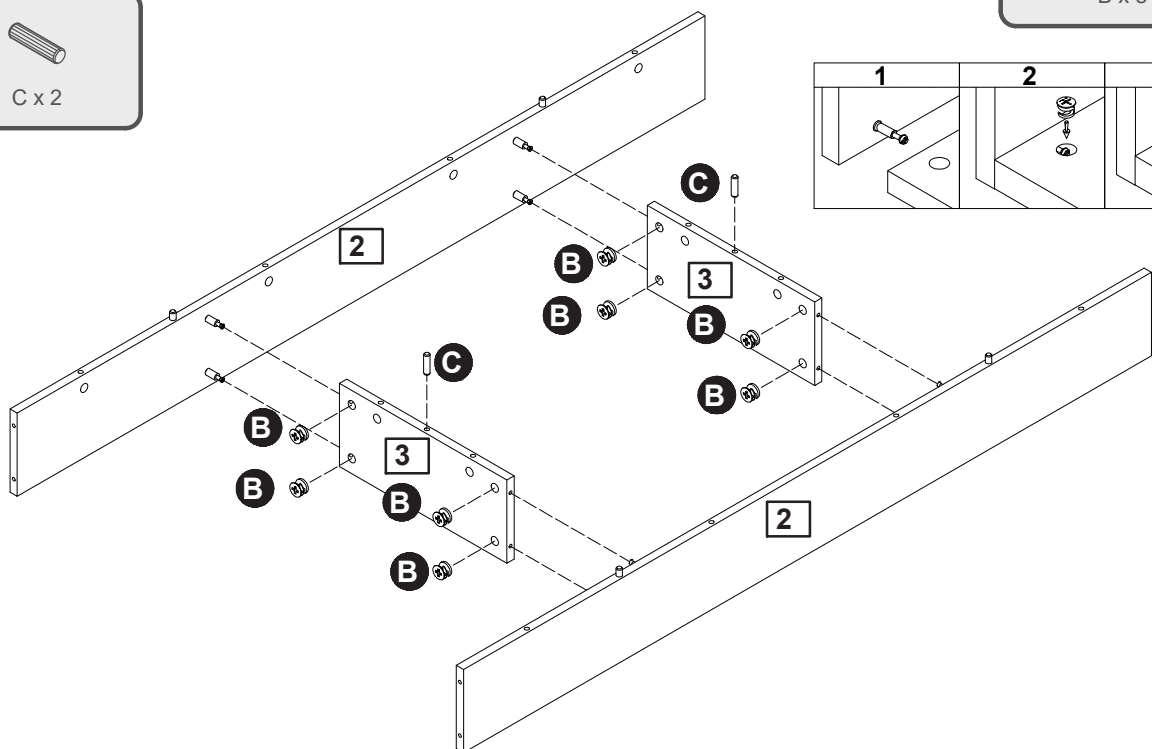
## Step 2



B

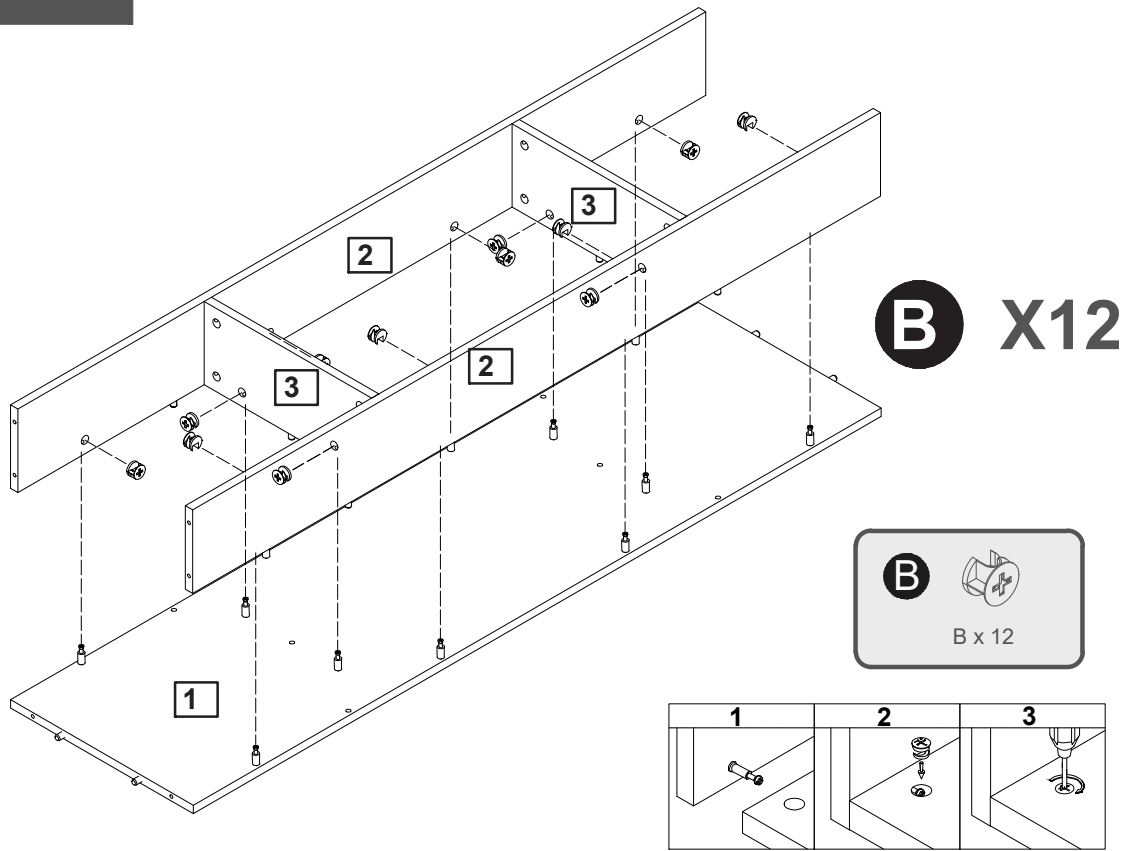


B x 8

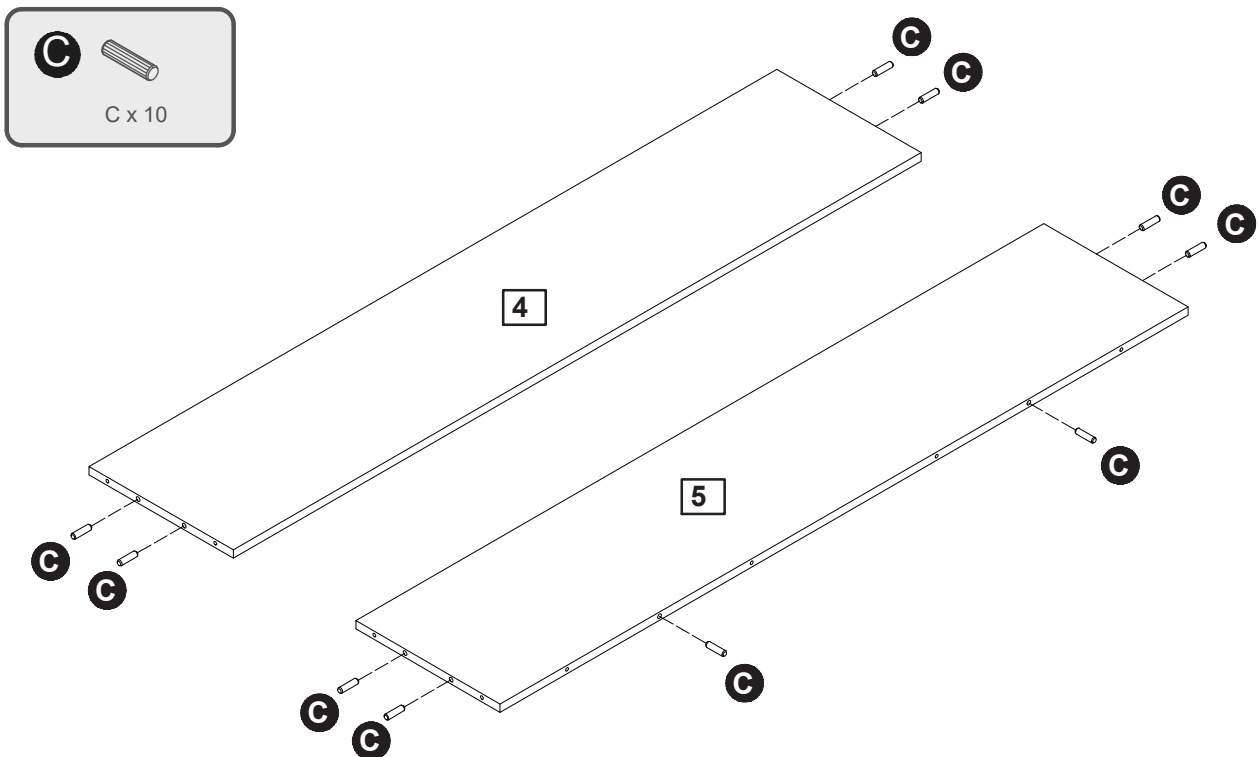


# Assembly Instructions

## Step 3

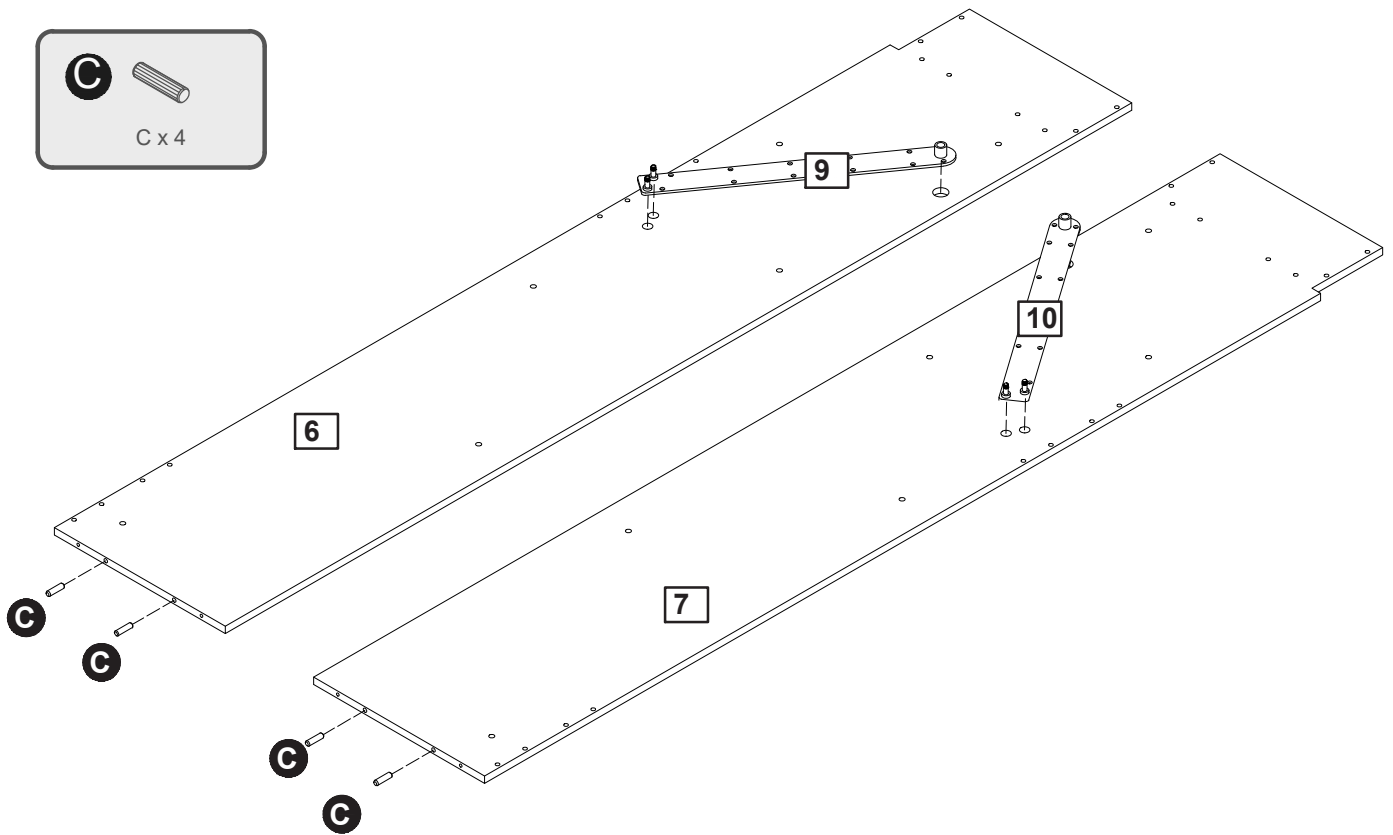
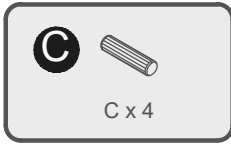


## Step 4

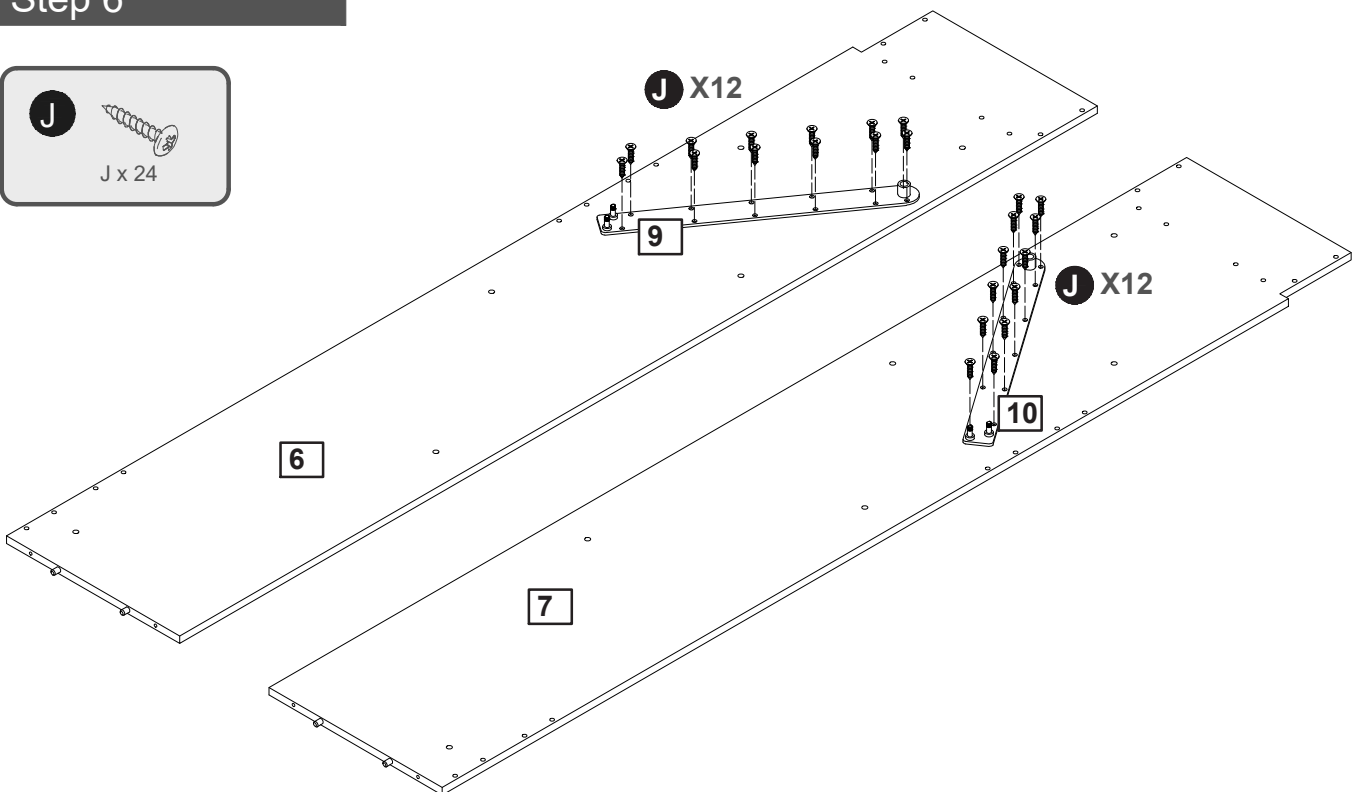
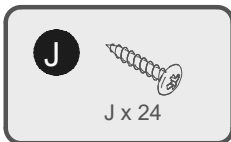


# Assembly Instructions

## Step 5

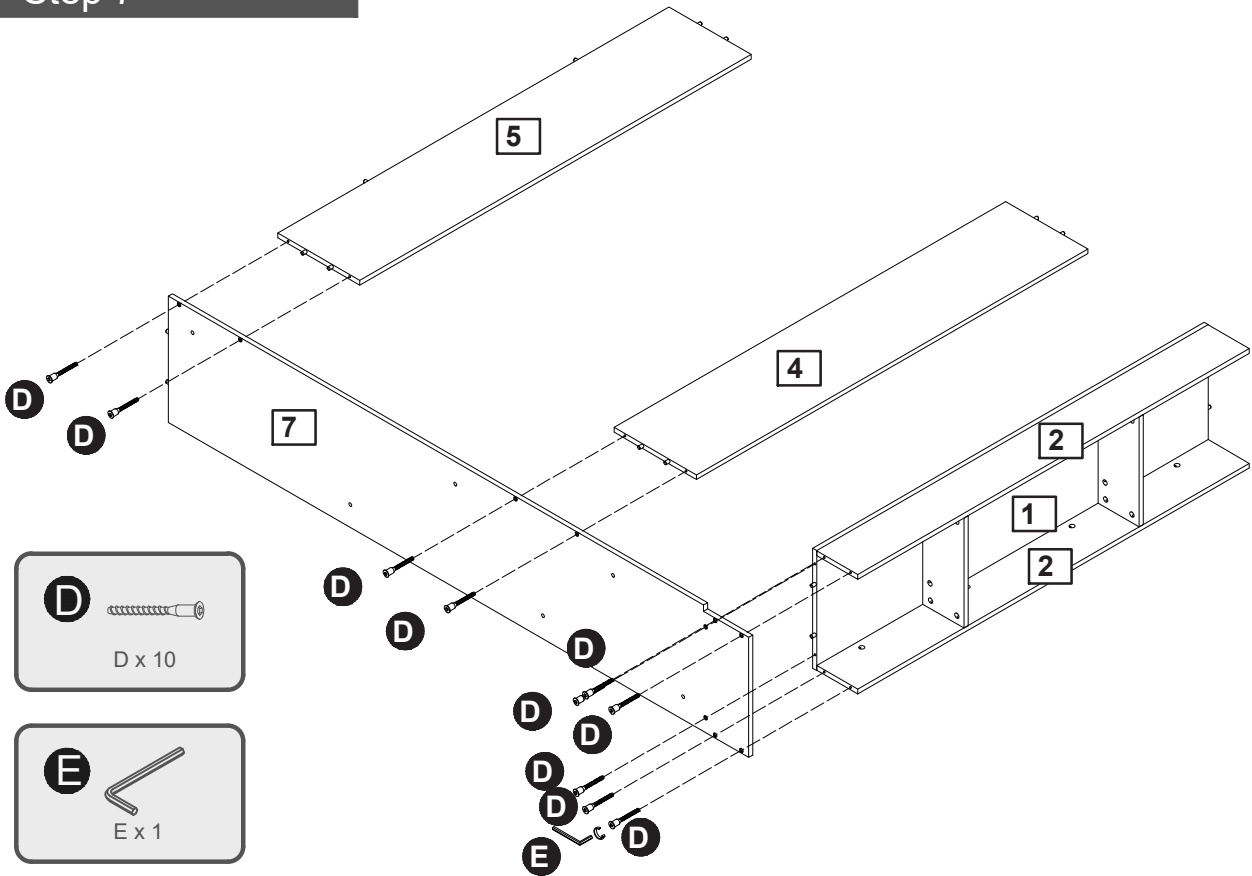


## Step 6

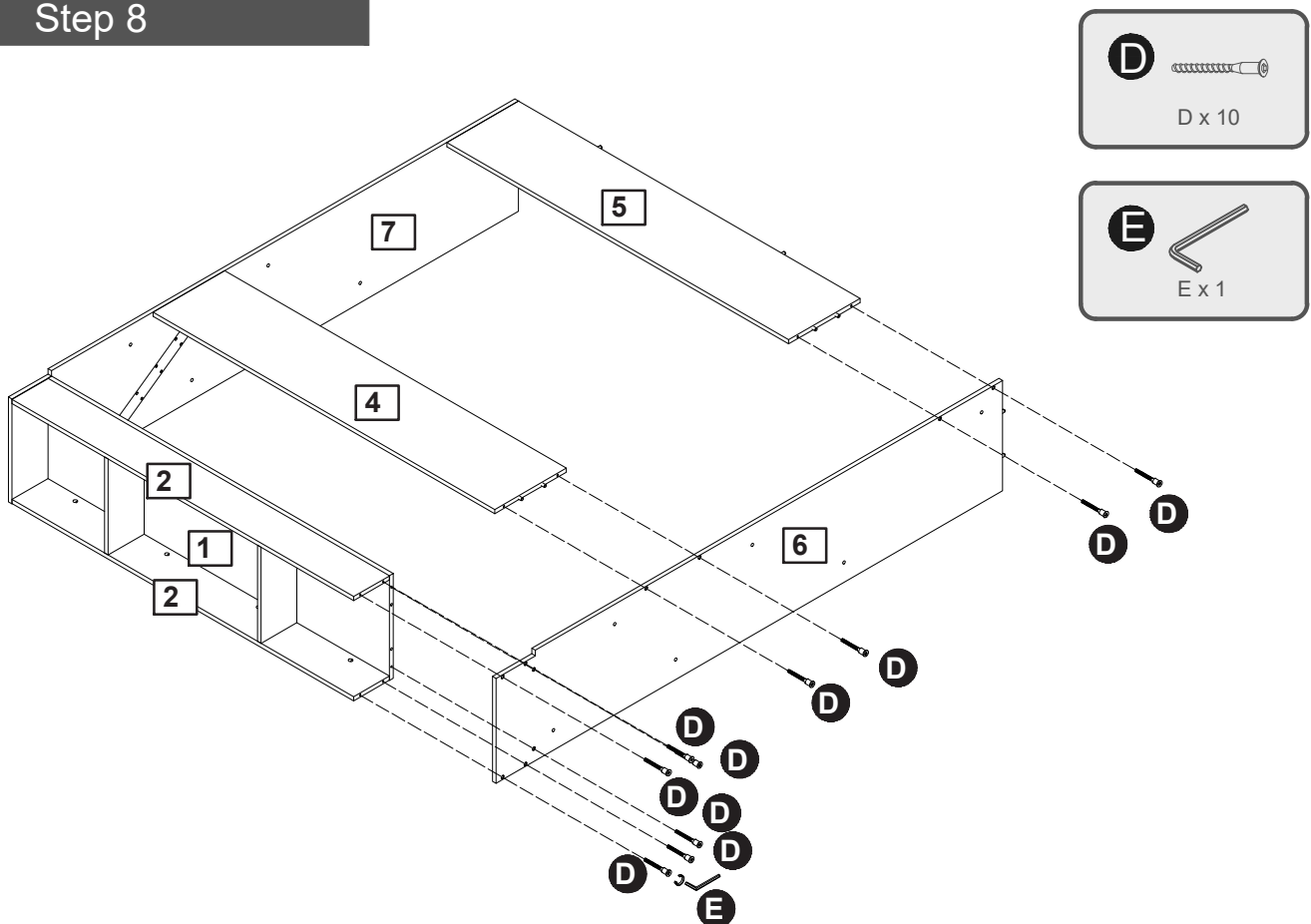


# Assembly Instructions

## Step 7

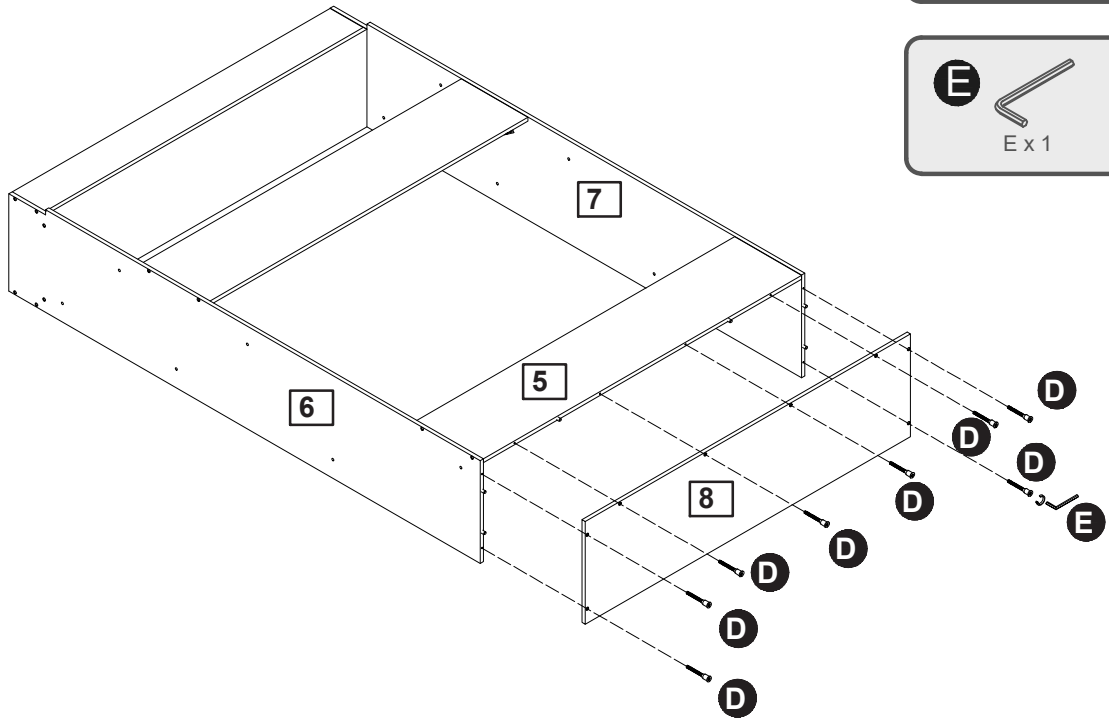


## Step 8

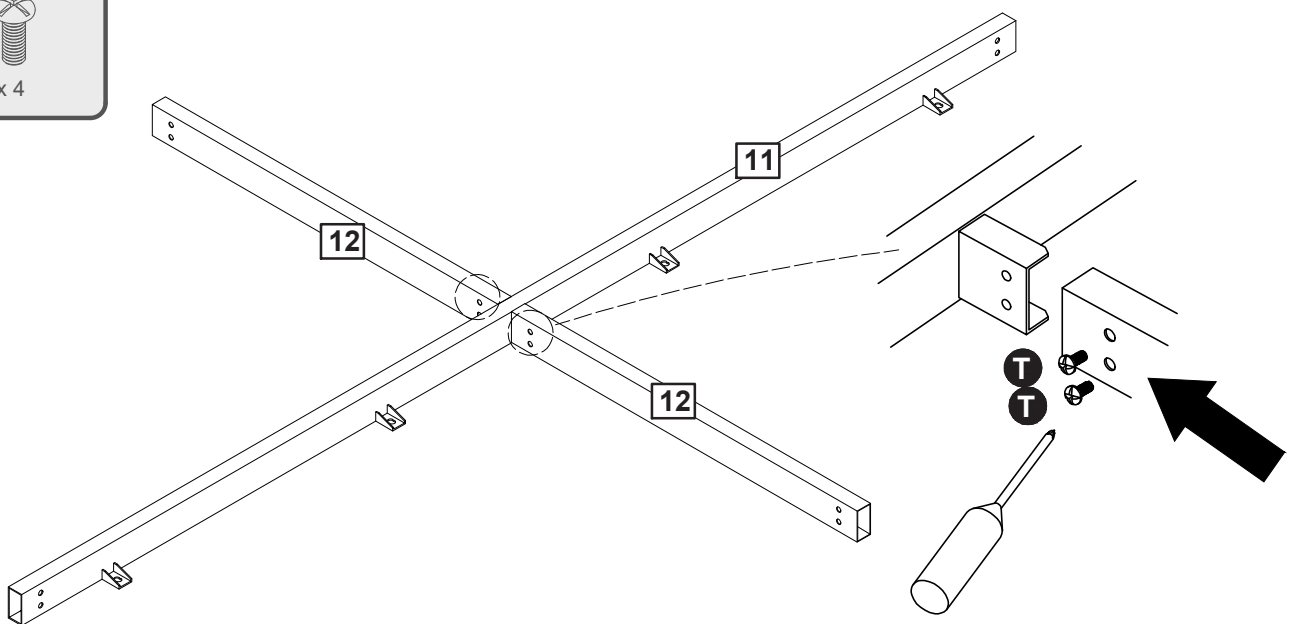
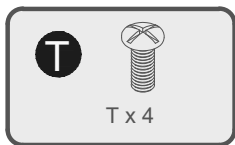


# Assembly Instructions

## Step 9

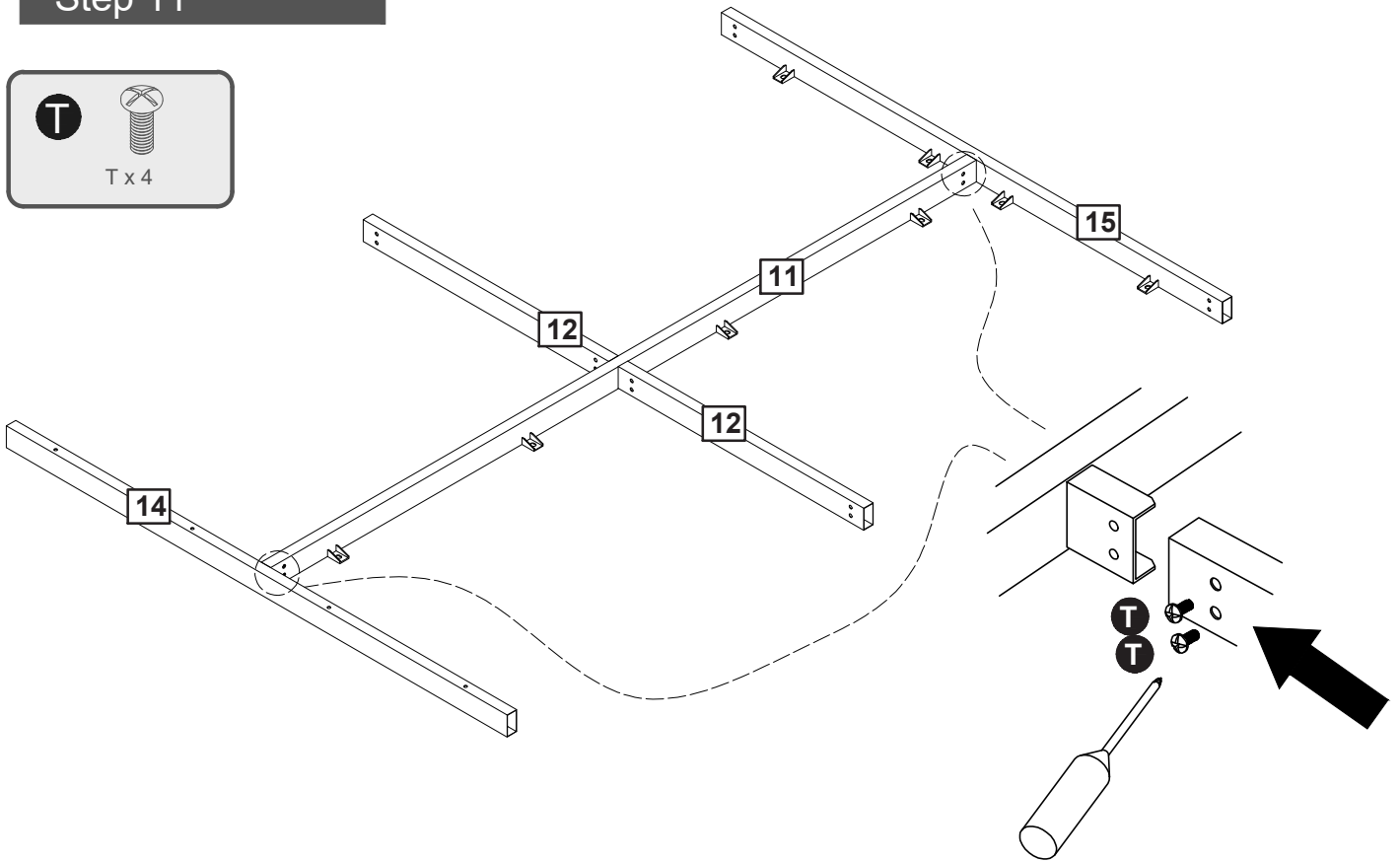
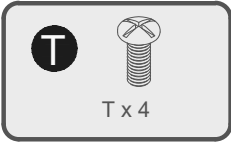


## Step 10

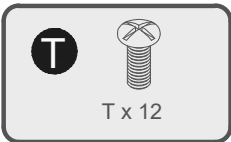


# Assembly Instructions

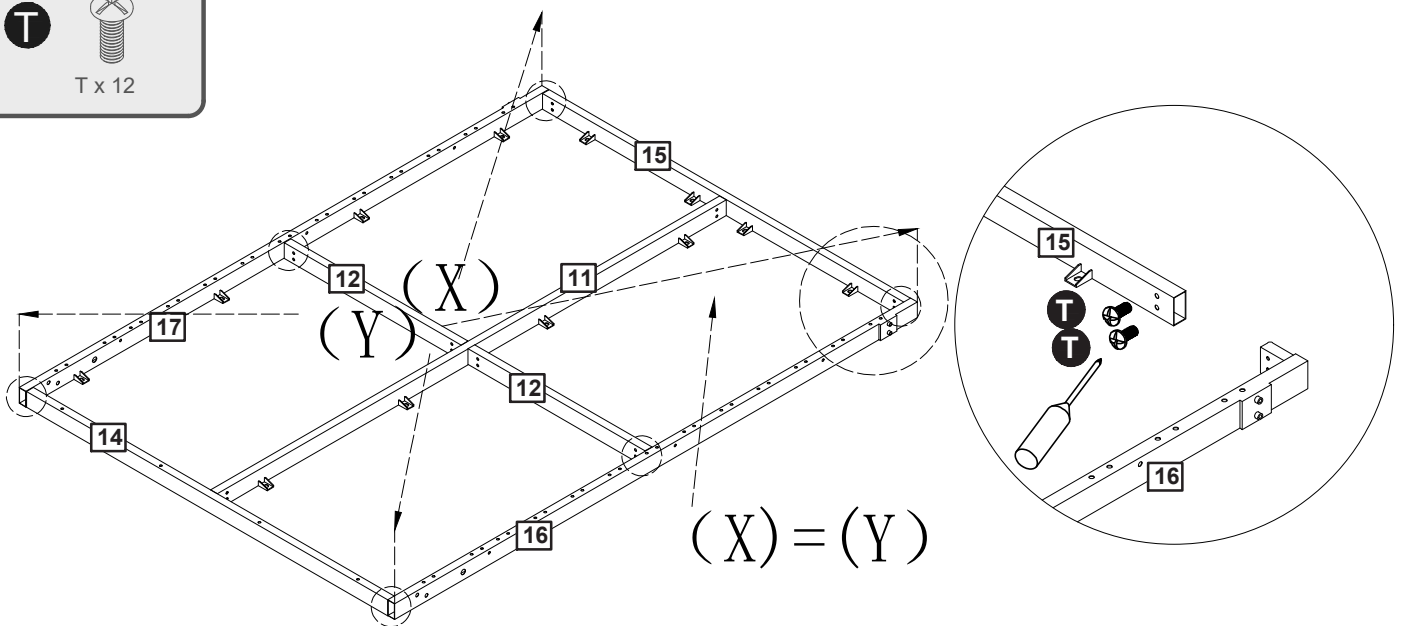
## Step 11



## Step 12

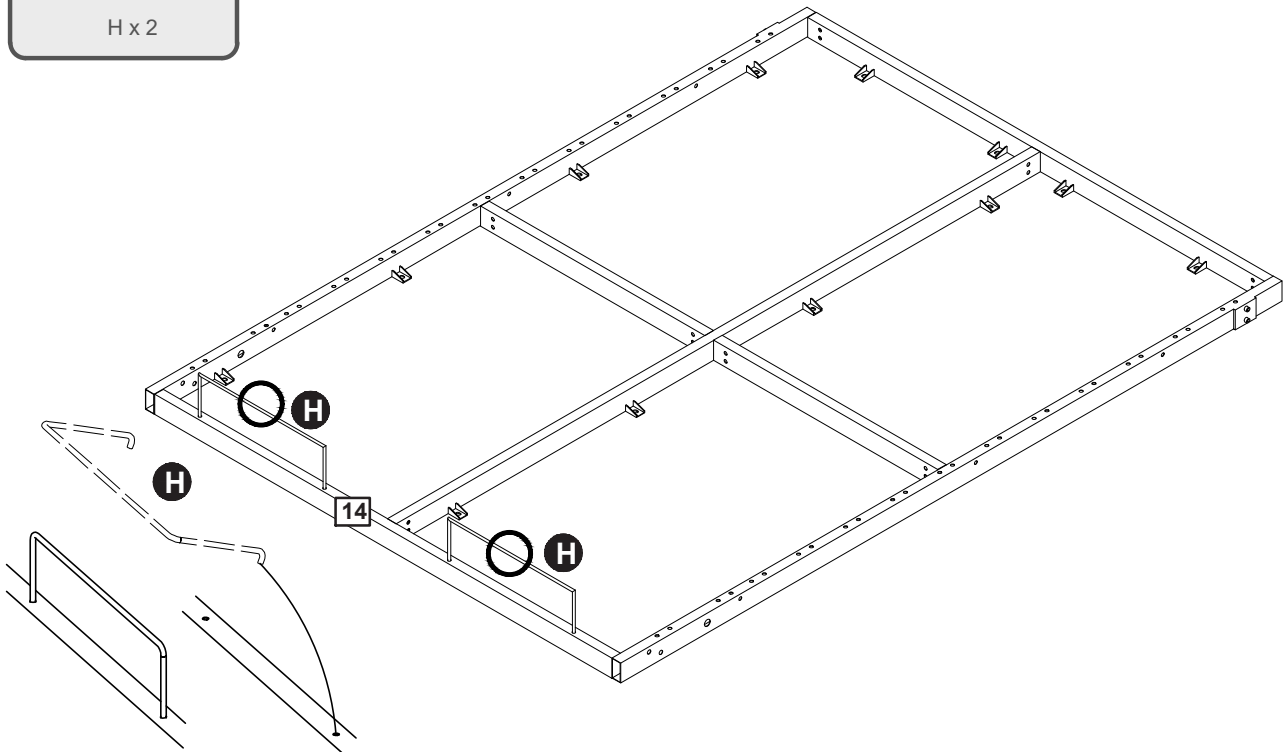
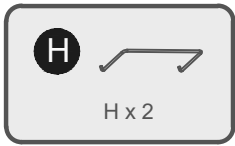


make sure the tube with mattress stopper holes is in the head position and the tube without any holes are in the foot part. after you assemble the frame, take the measurement to ensure  $X=Y$

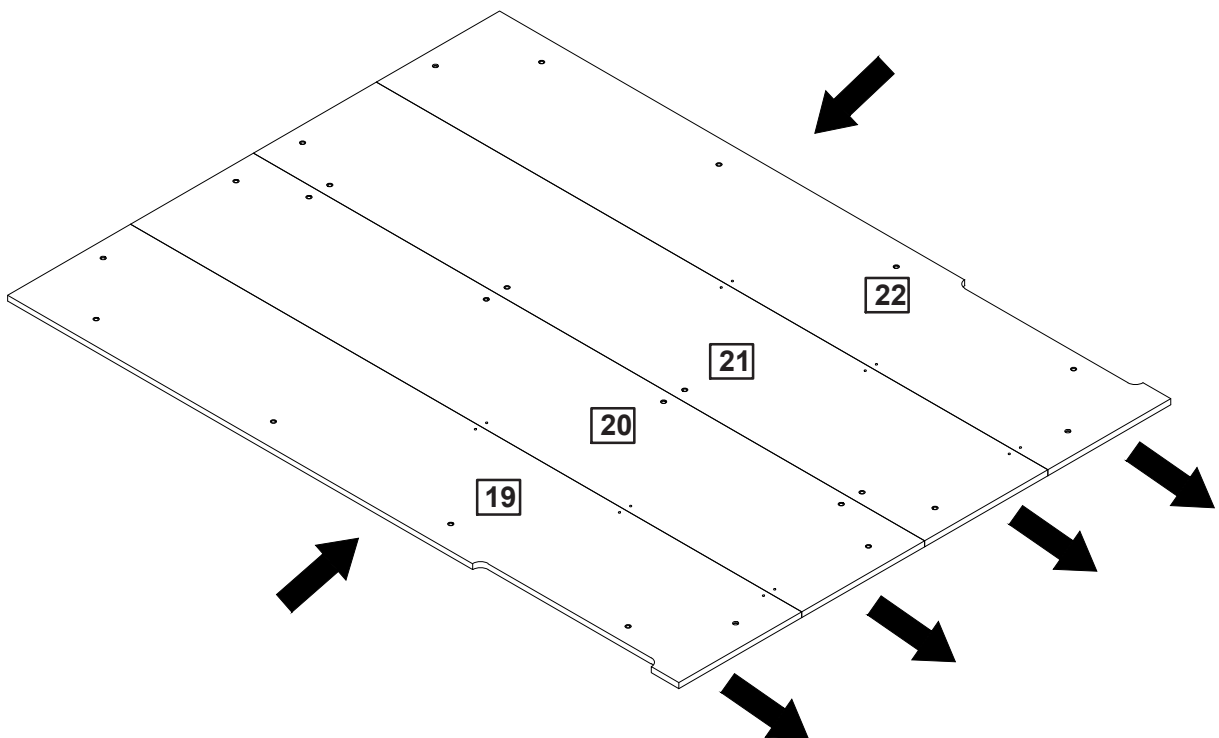


# Assembly Instructions

## Step 13

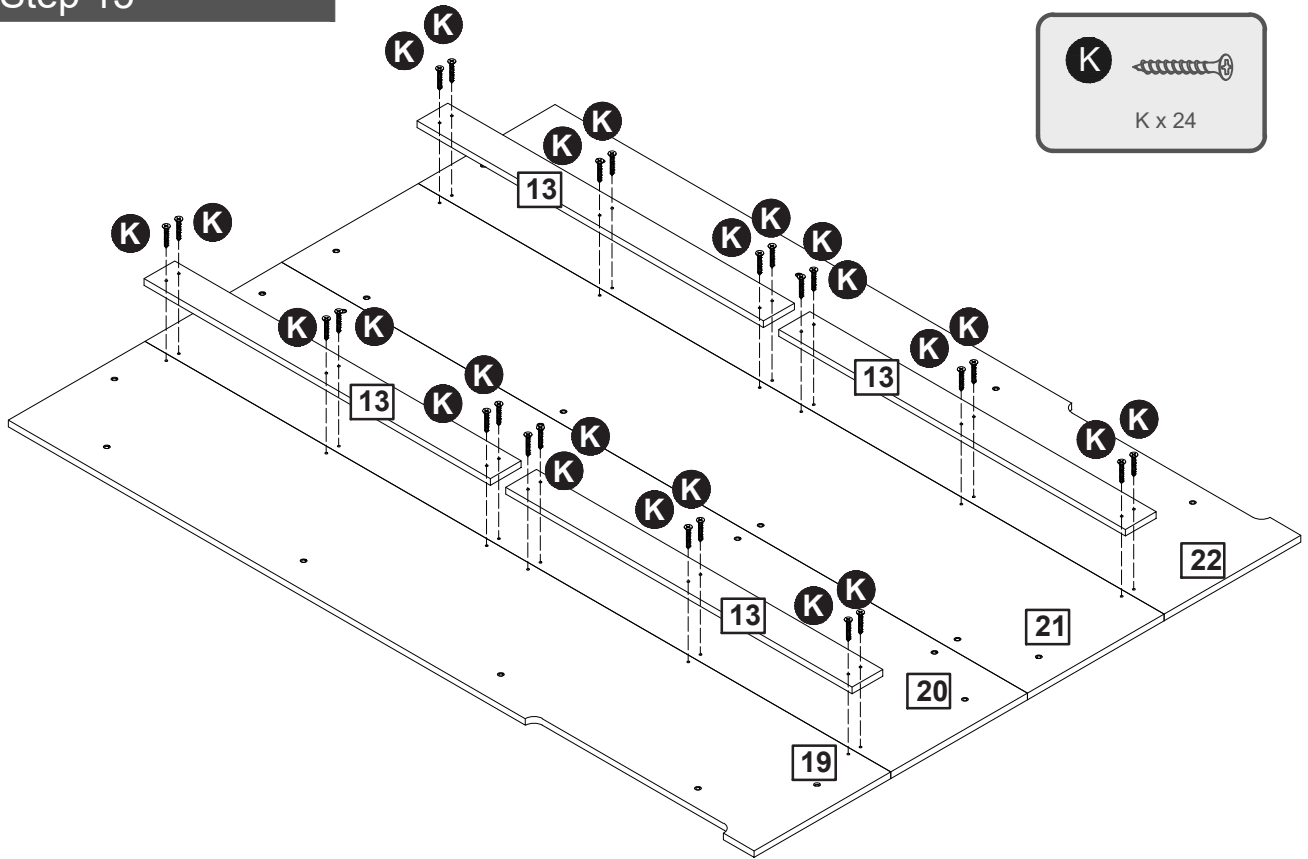


## Step 14

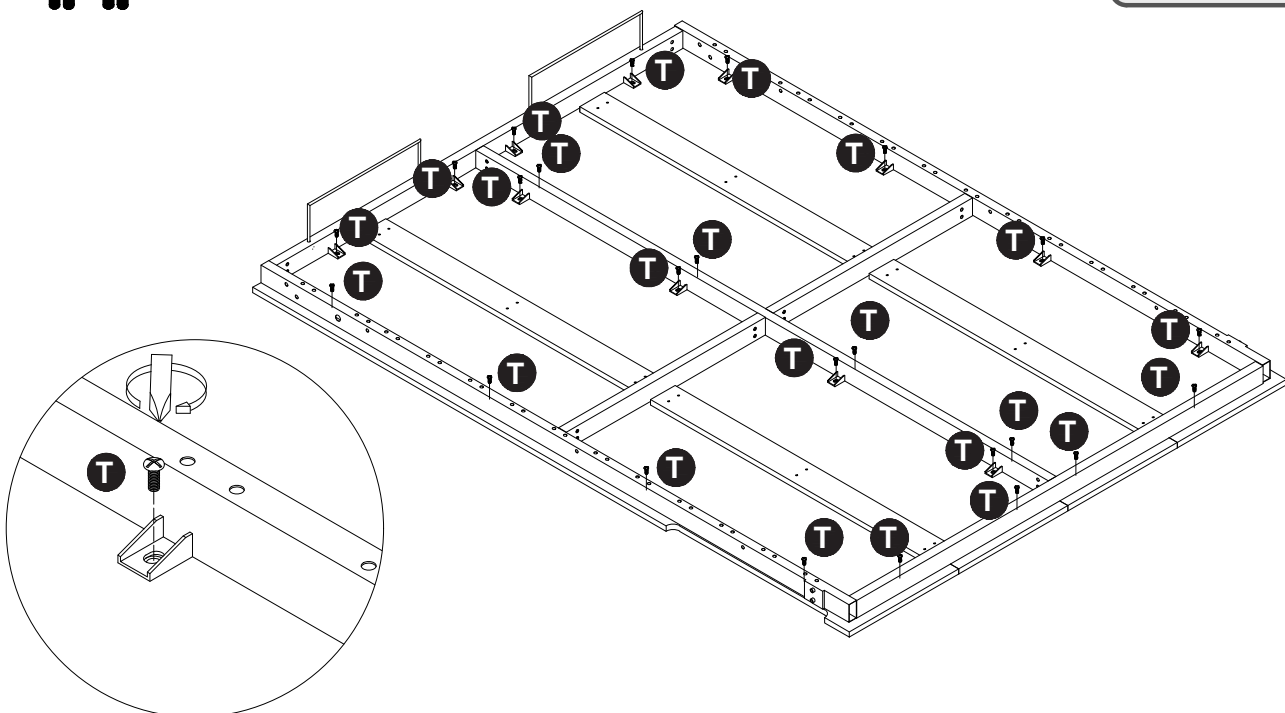
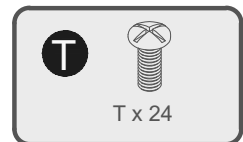


# Assembly Instructions

## Step 15

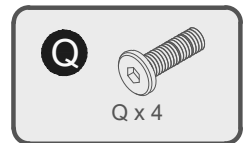
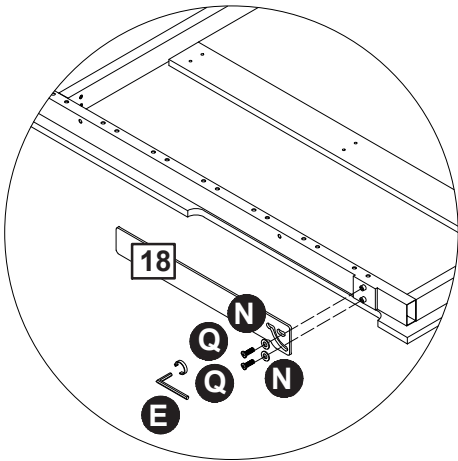
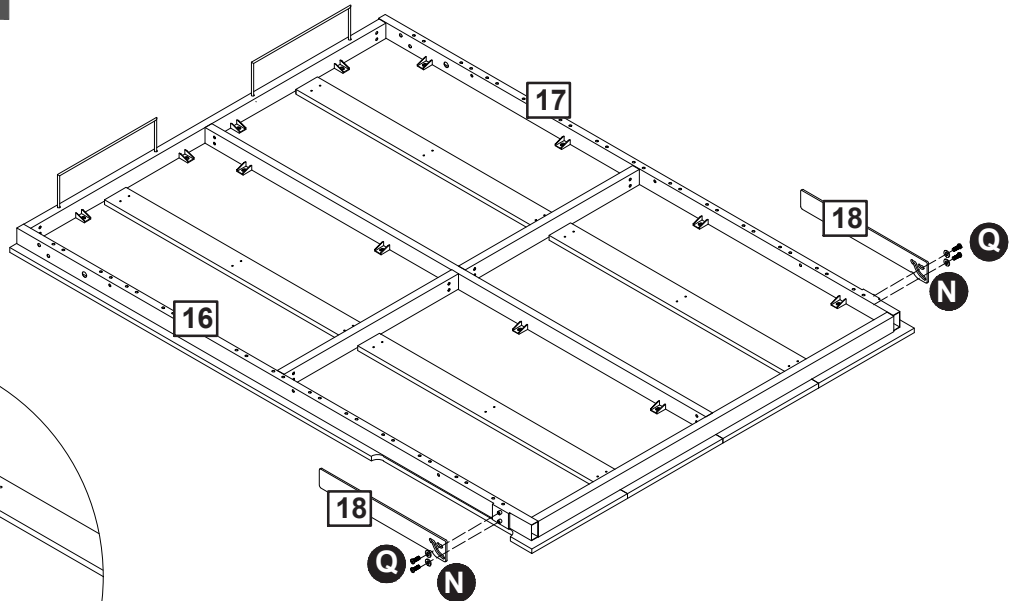


## Step 16

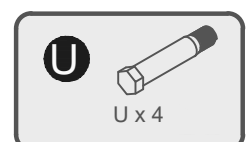
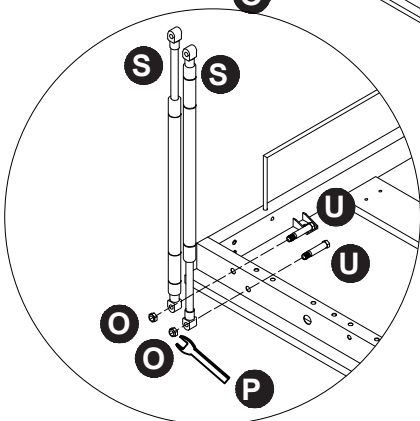
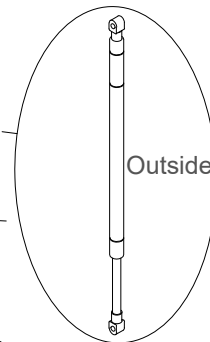
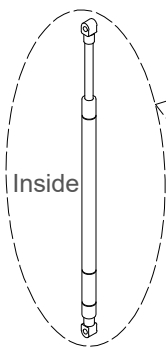
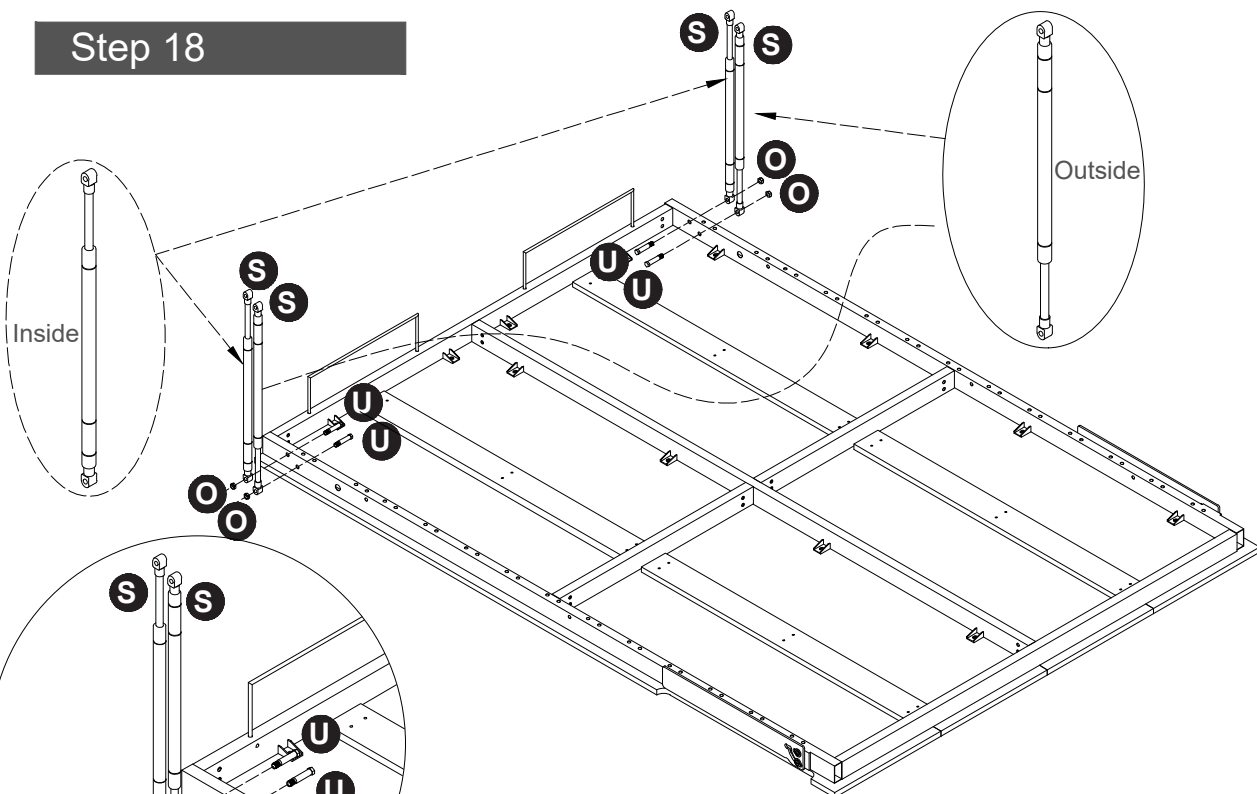


# Assembly Instructions

## Step 17

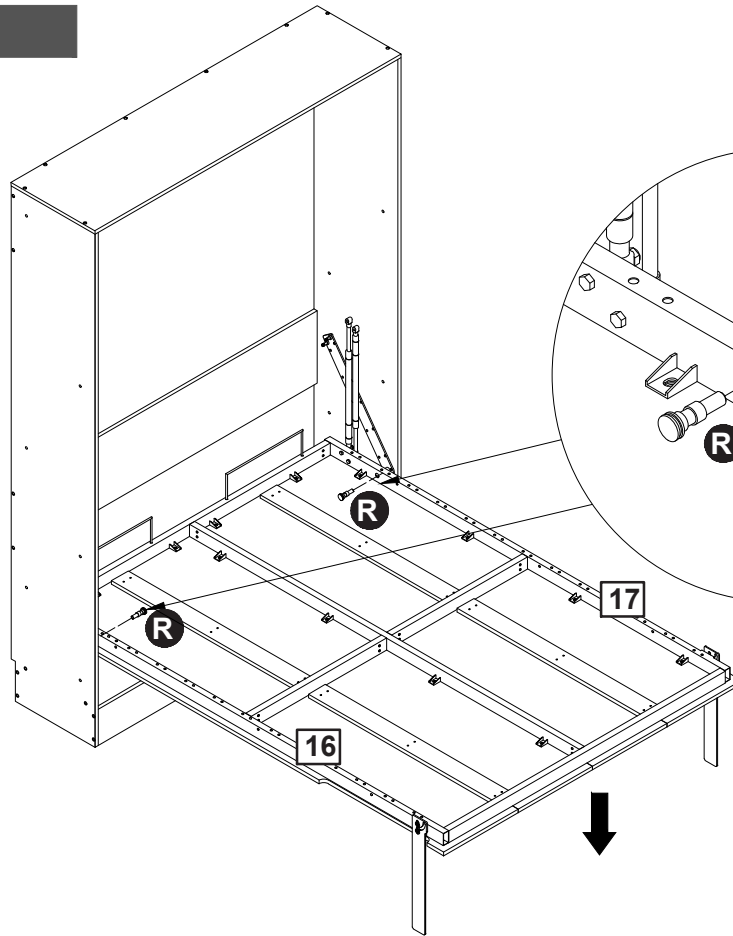


## Step 18



# Assembly Instructions

## Step 19



**R**



R x 2

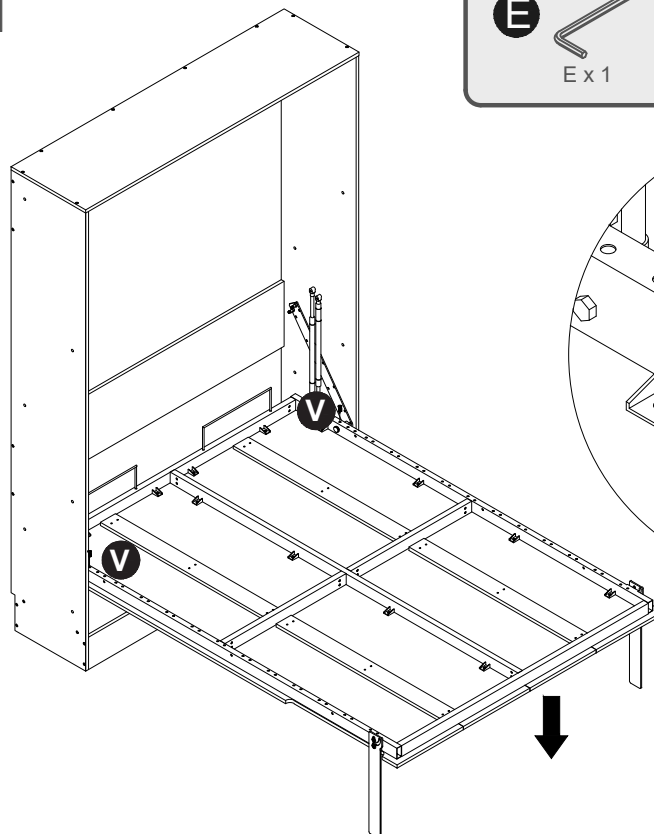
**R**

**17**

**16**



## Step 20



**E**



E x 1

**V**



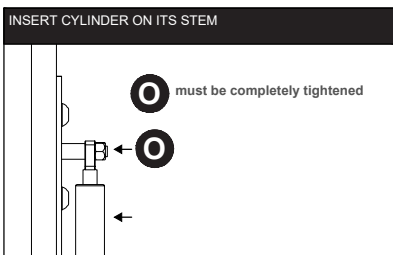
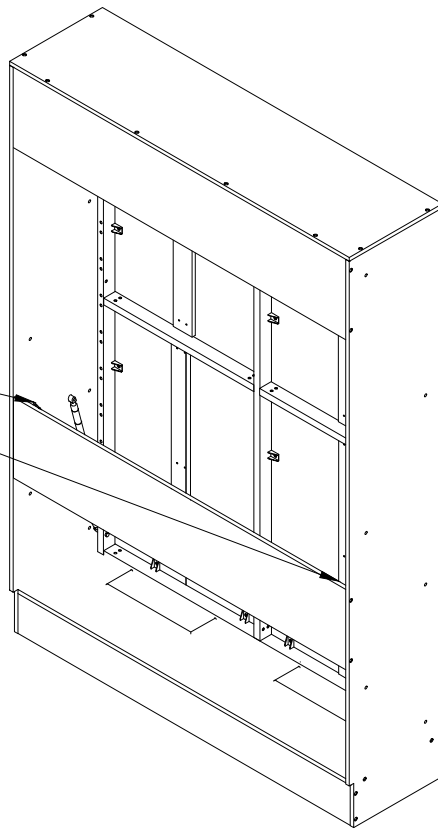
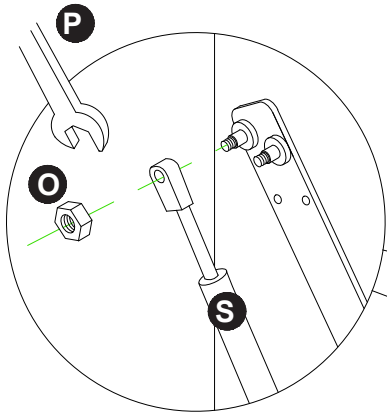
V x 2

**E**

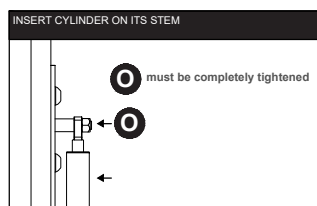
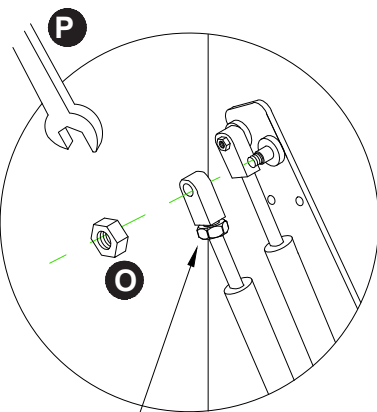
**V**

# Assembly Instructions

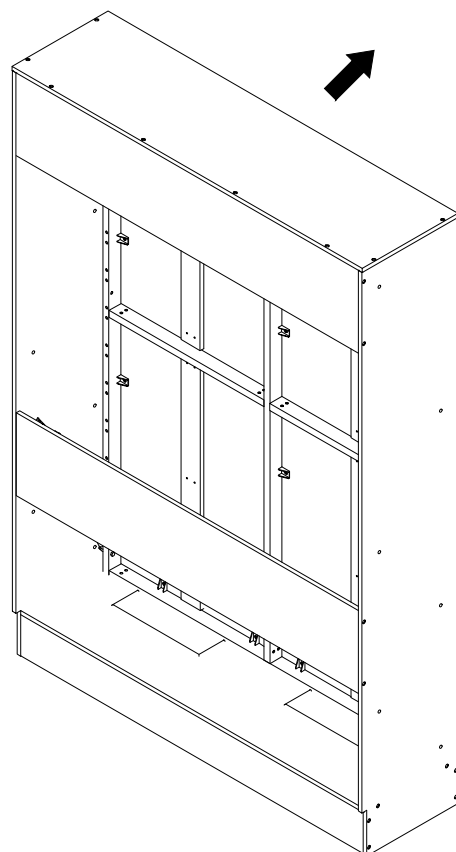
## Step 21



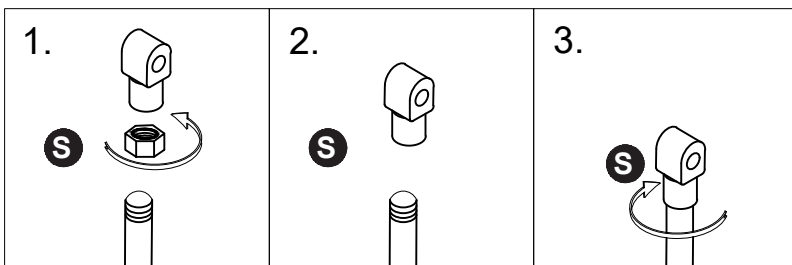
## Step 22



Push the door forward a little bit



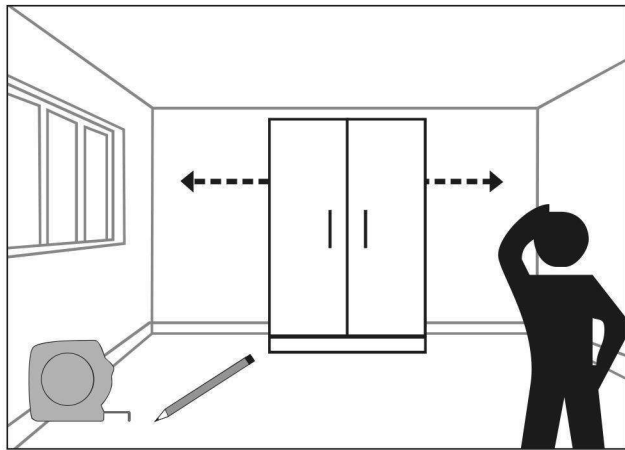
If it can not install, Please remove the nut and try again.



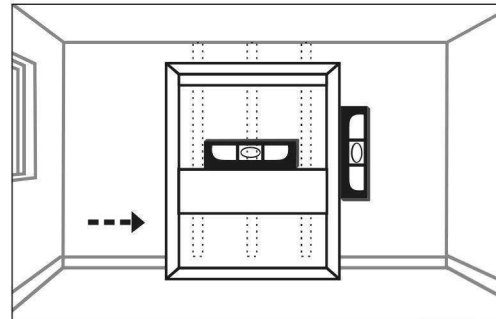
# WALL ANCHORING INSTRUCTIONS

## INSTALLATION RECOMMENDATIONS — MASONRY

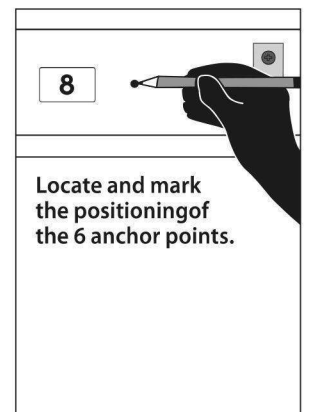
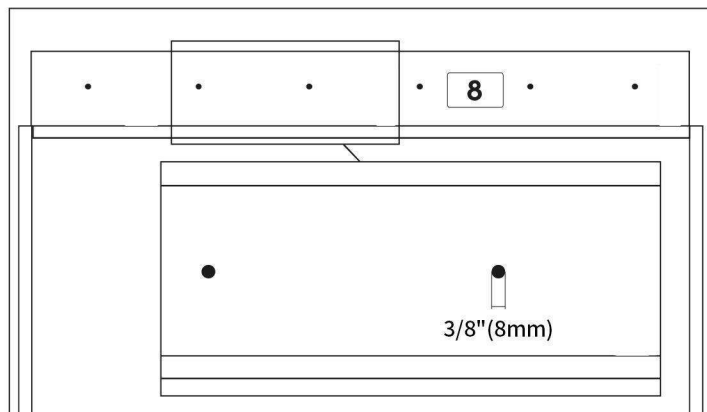
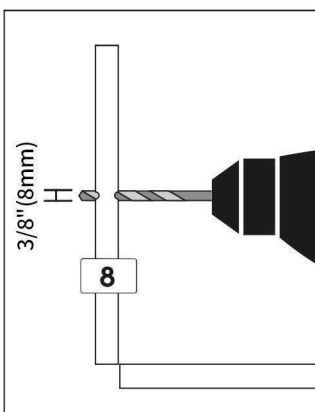
**1** Determine the position of the bed in the room.



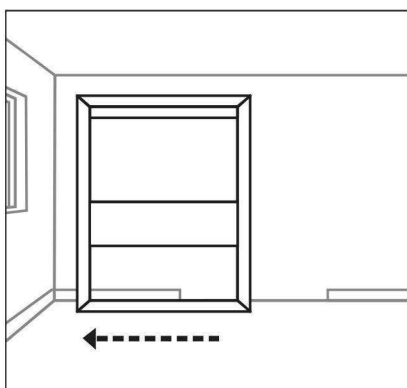
**2** Put the bed back in its place. Please keep it vertical and horizontal



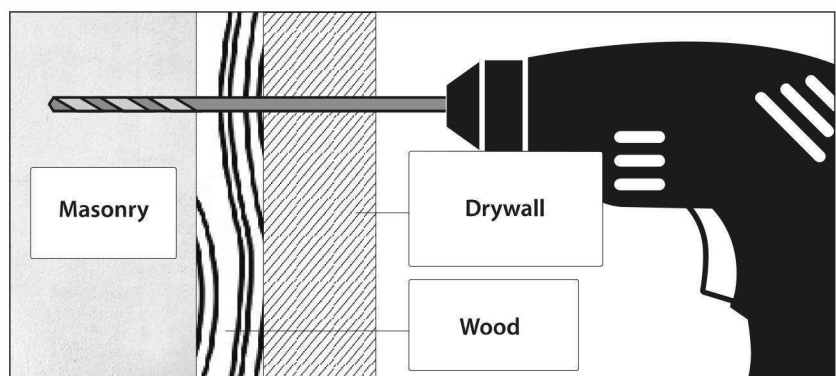
**3** Pre-drill the piece of plywood #8 with 6 pilot holes of 3/8" ( 8 mm) diameter distributed horizontally in order to cover the width of the anchoring section. With the bed in position, mark the position of the 6 holes on the masonry wall.



**4** Move the bed again.

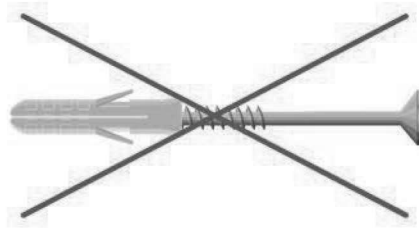
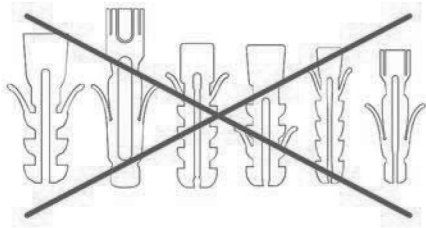


**5** Using a 5/32" (10mm) diameter masonry bit, drill into the drywall and masonry (a hammer drill is required).



## WALL ANCHORING INSTRUCTIONS

### INSTALLATION RECOMMENDATIONS — MASONRY



## IMPORTANT WARNINGS

### INSTALLATION AND APPROPRIATE HARDWARE

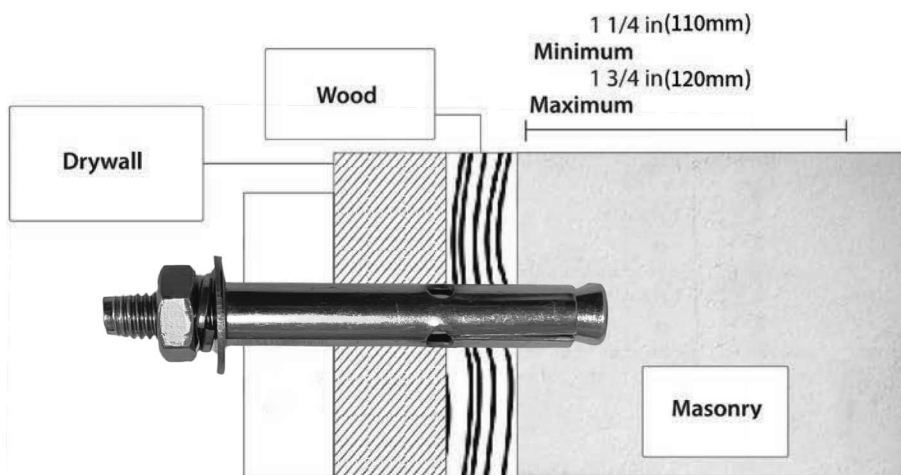
Using appropriate hardware, all the anchor screws of the wall bed must be firmly secured to the wood or metal studs, the structural components, or a masonry wall. **Only wall anchor screws for wood-frame walls are provided with this bed.**

### NUMBER OF SCREWS NEEDED

You need a total of six (6) wall anchor screws.

**THE SCREWS MUST BE VERY WELL ANCHORED TO THE STRUCTURAL COMPONENTS OF THE WALL.**

- 6** Put the bed back in its place. Put the **CONCRETE SCREWS 3/8" (10mm) diameter X APPROPRIATE LENGTH** into the holes of part #8 and screw the bed onto the masonry wall until tight against the wall. Screw must be at least **4 3/8" (110mm)** deep into masonry. **USE AN ELECTRIC SCREWDRIVER WITH AN ADJUSTABLE TENSION CLUTCH THAT HELPS PREVENT OVER-TIGHTENING AND STRIPPING.**

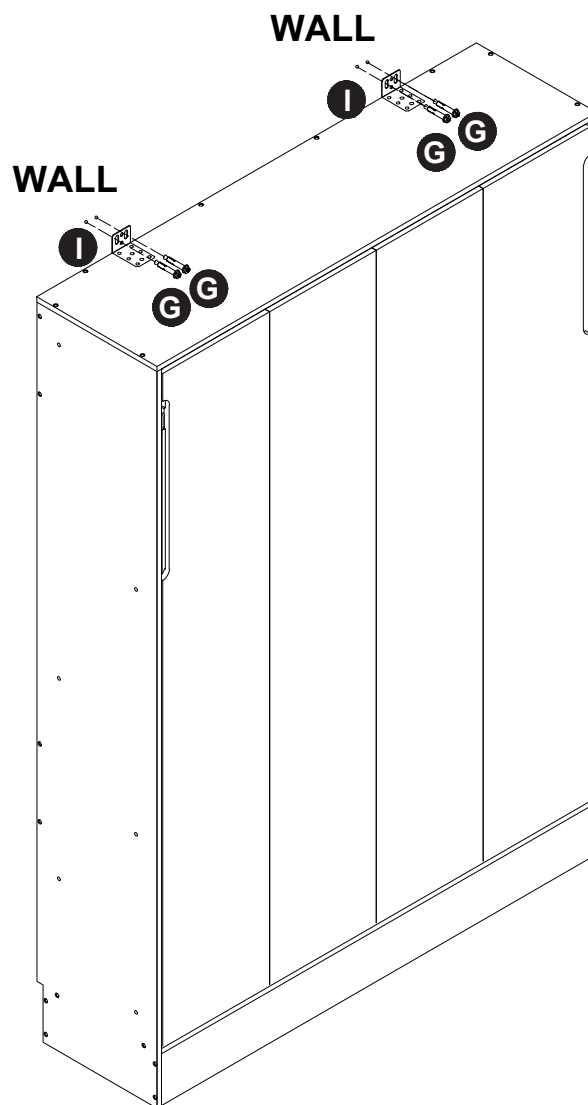
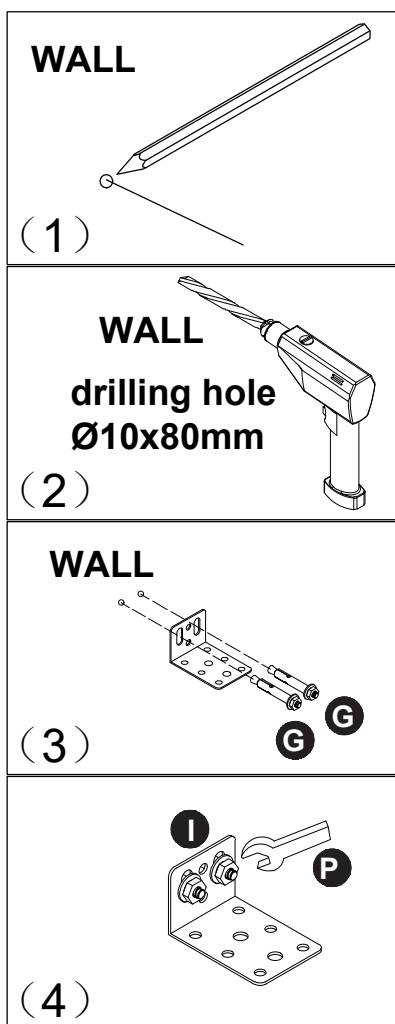


# Assembly Instructions

## Step 23

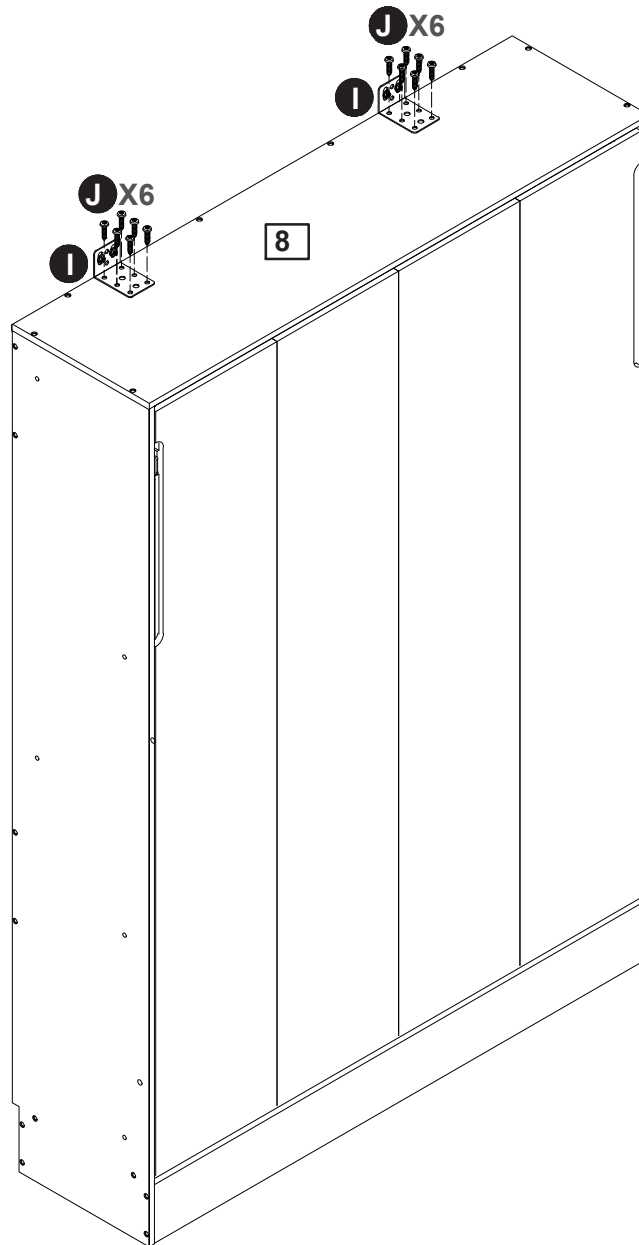
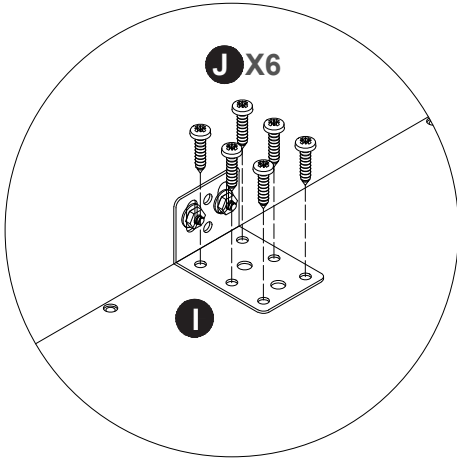


**ATTENTION:**  
For safety and stability, we suggest you have to secure the anti tip accessories to the wall to prevent tipping, injury, and property damage.



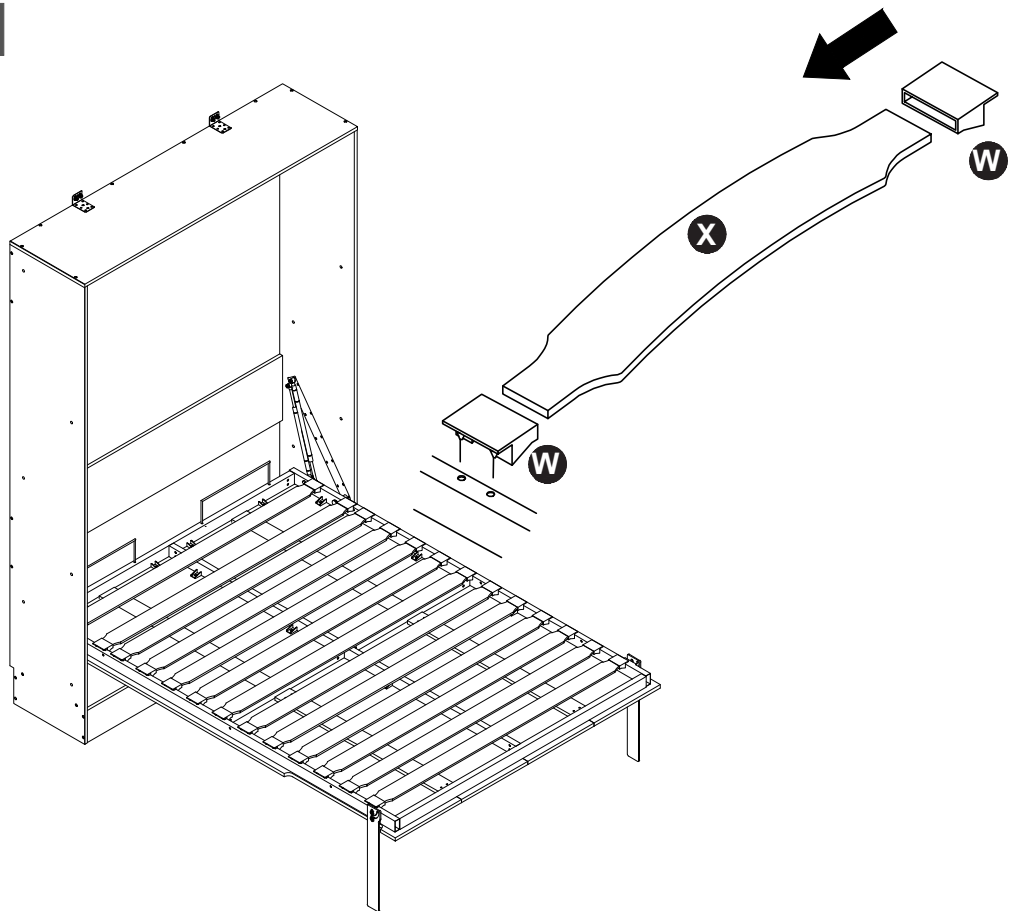
# Assembly Instructions

## Step 24

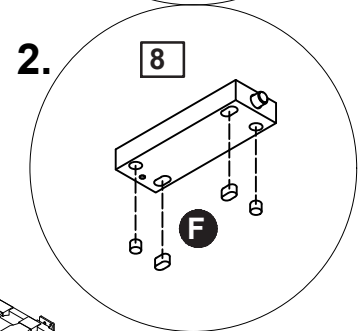
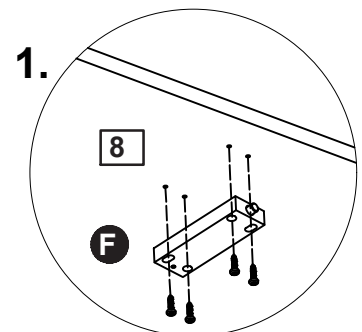
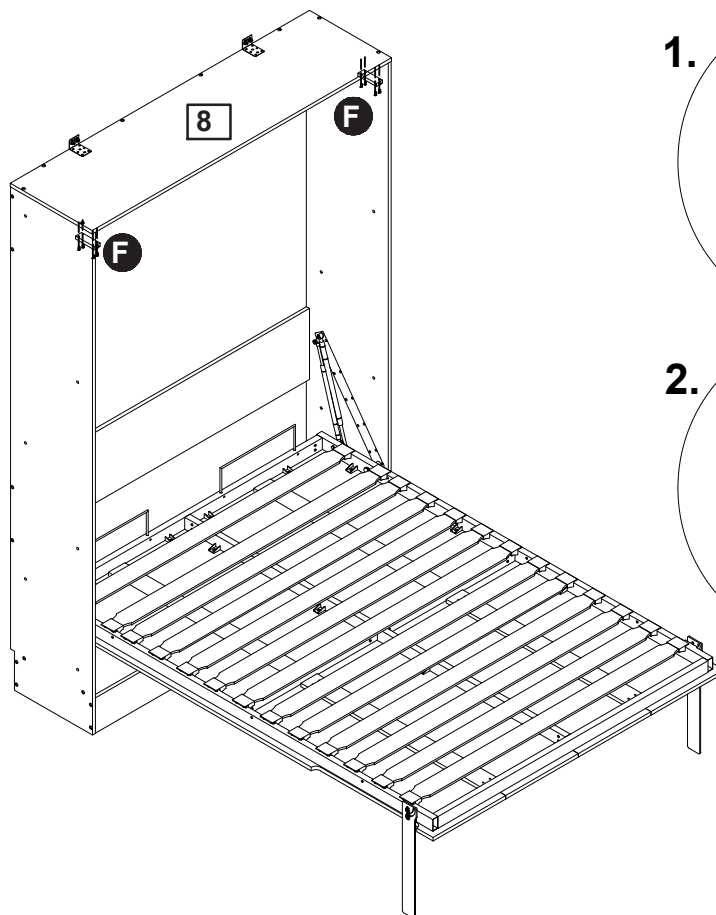
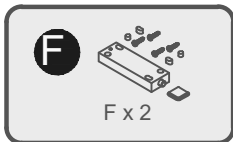


# Assembly Instructions

## Step 25



## Step 26



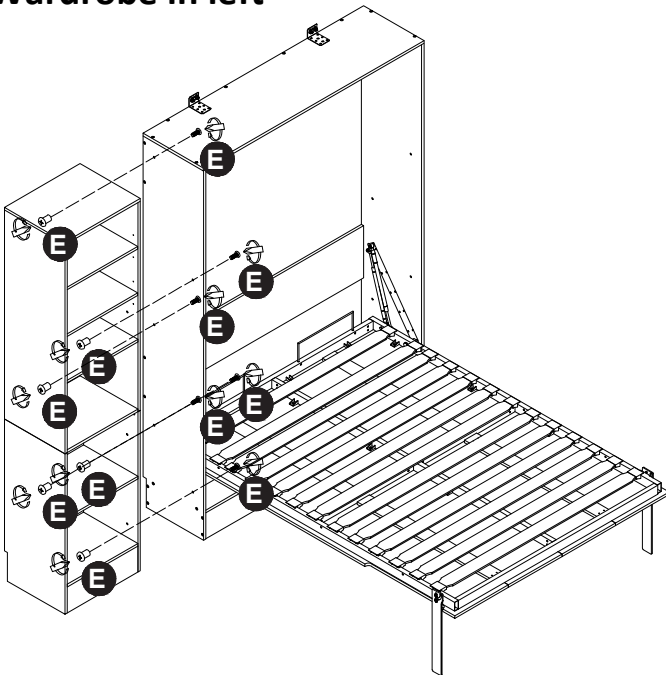
# Assembly Instructions

## Step 27

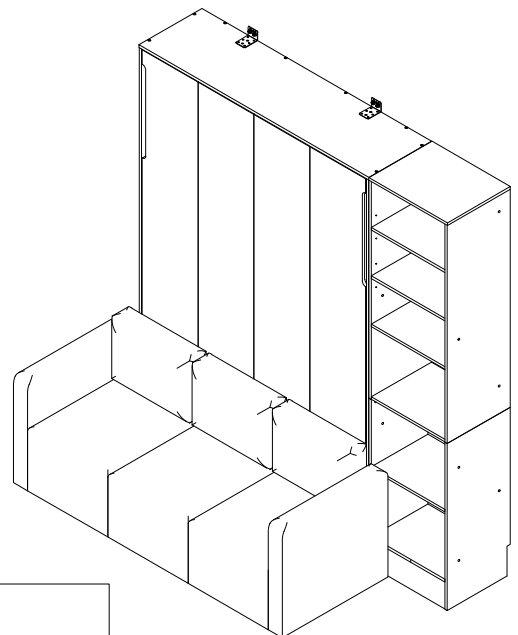
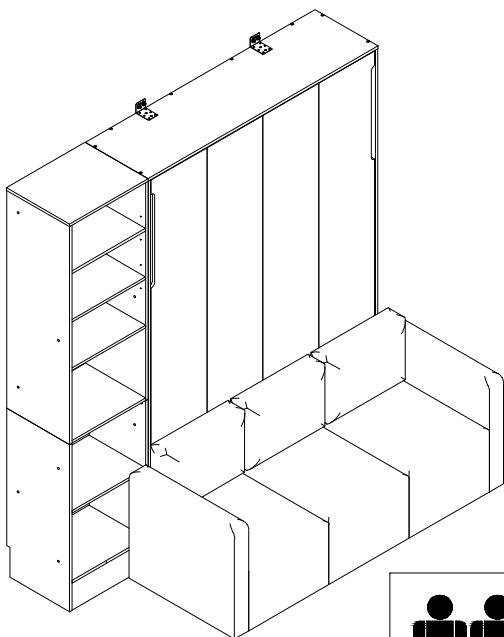
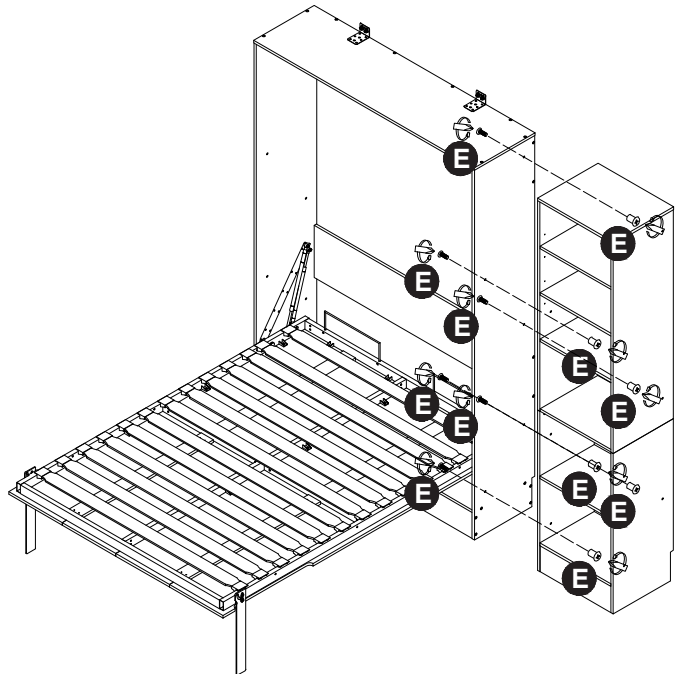


E x 6

### Option 1: Wardrobe in left



### Option 2: Wardrobe in right

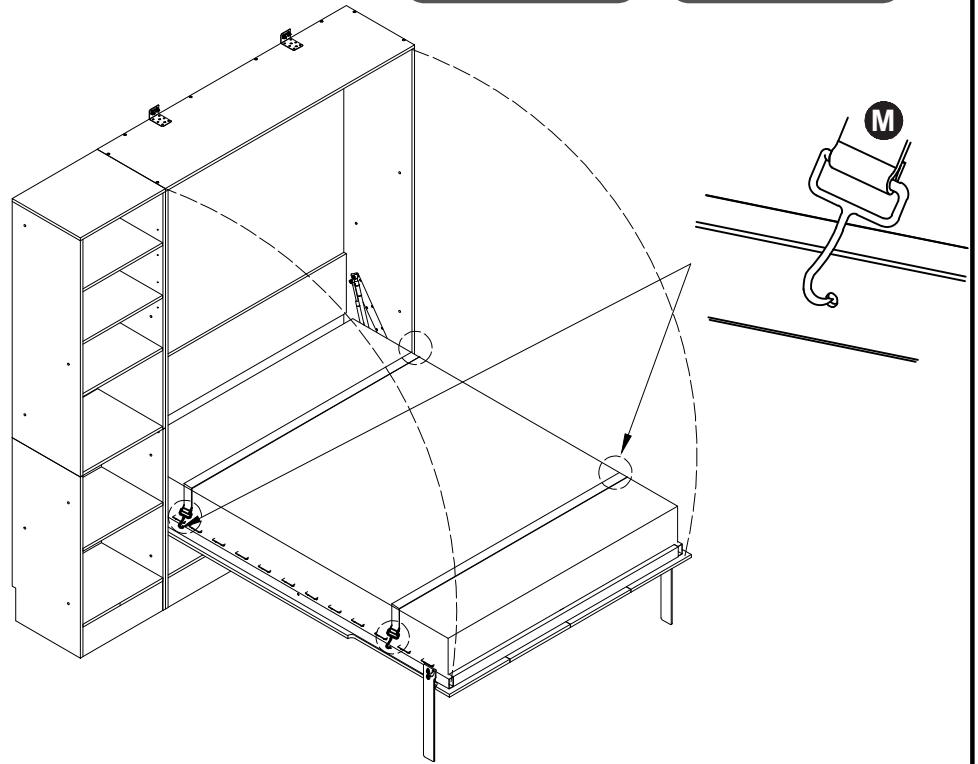
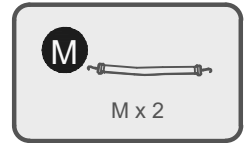
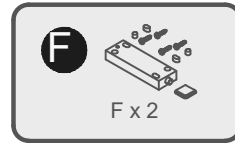
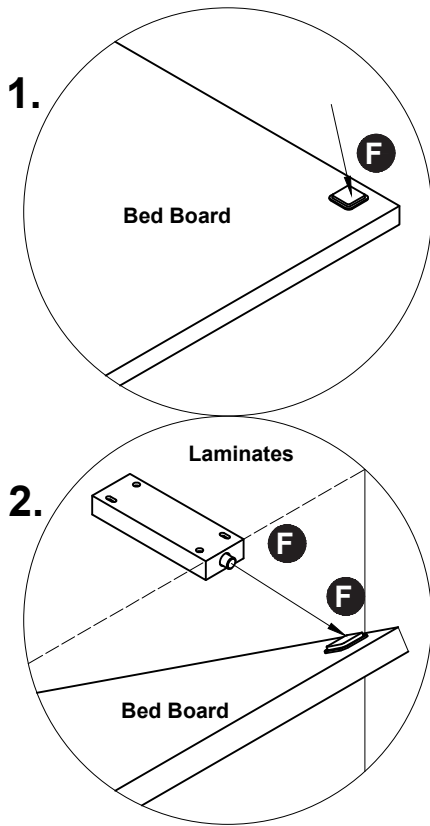


Two people are required to assemble and move this model.

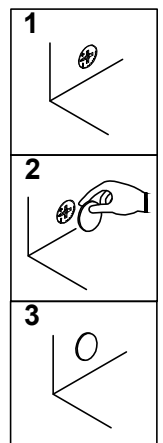
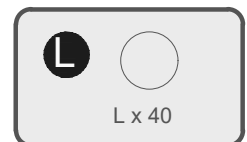
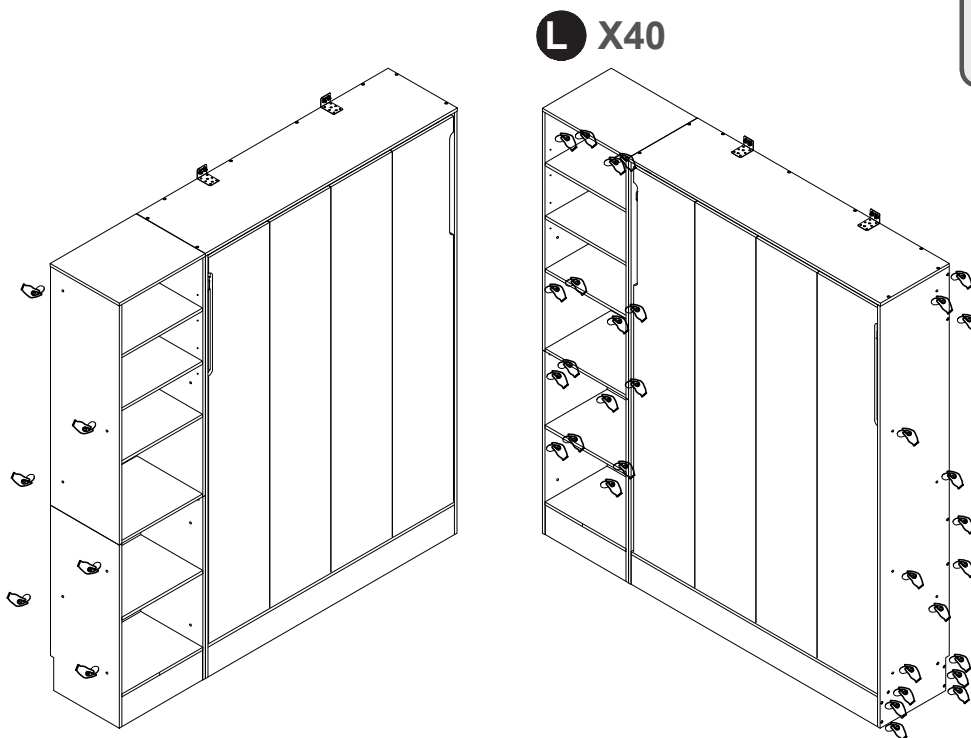
Please install the wardrobe on the left or right side according to your needs

# Assembly Instructions

## Step 28

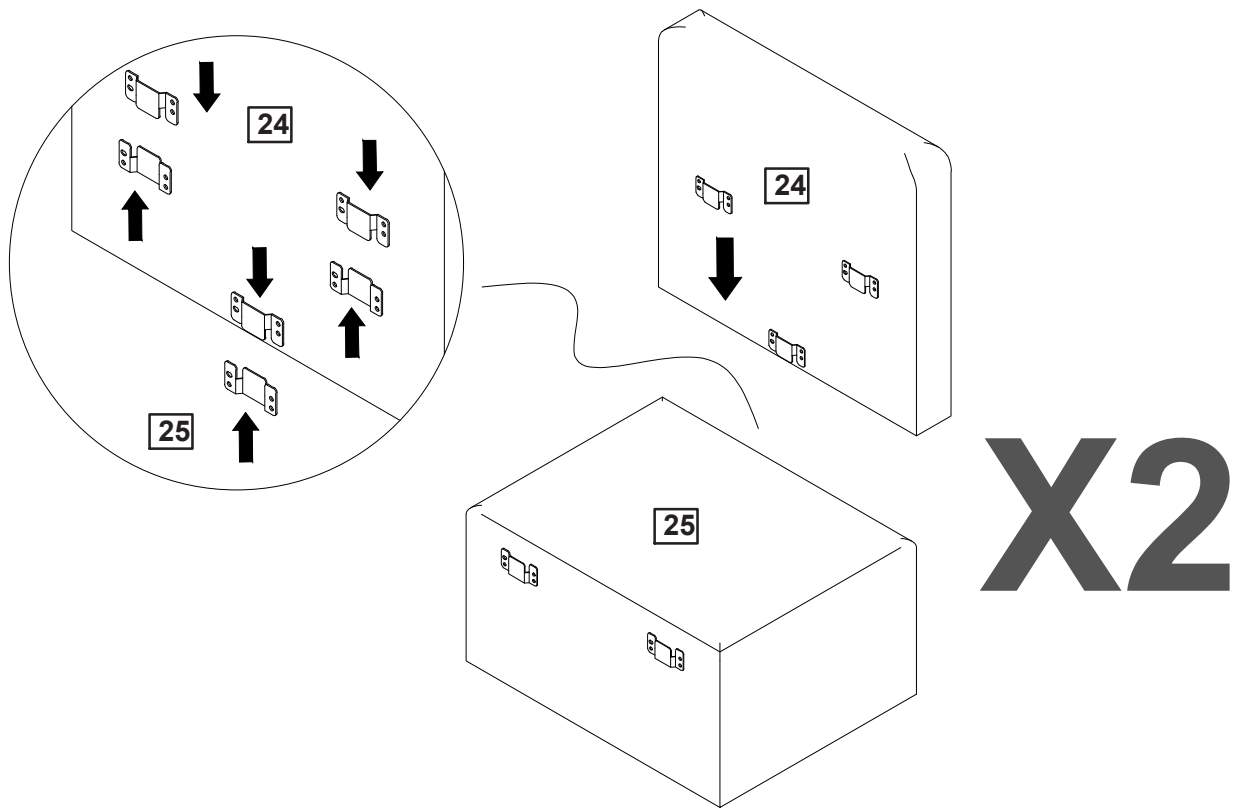


## Step 29

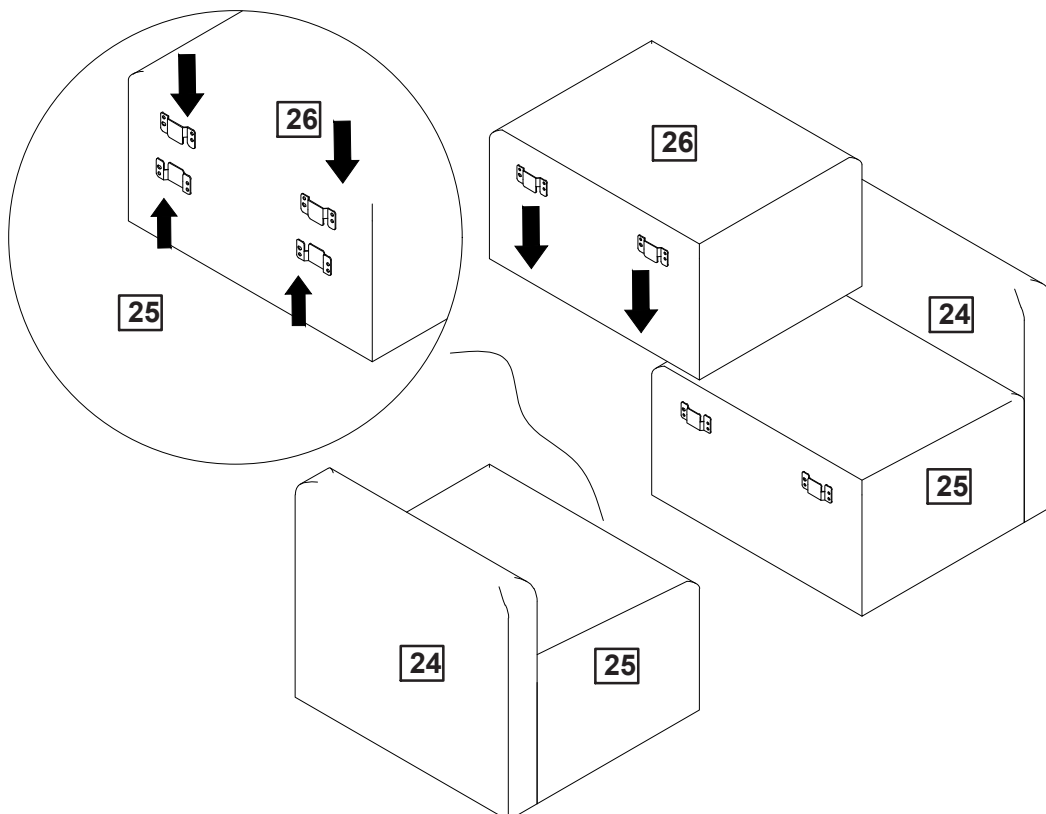


# Sofa Assembly Instruction

## Step 30

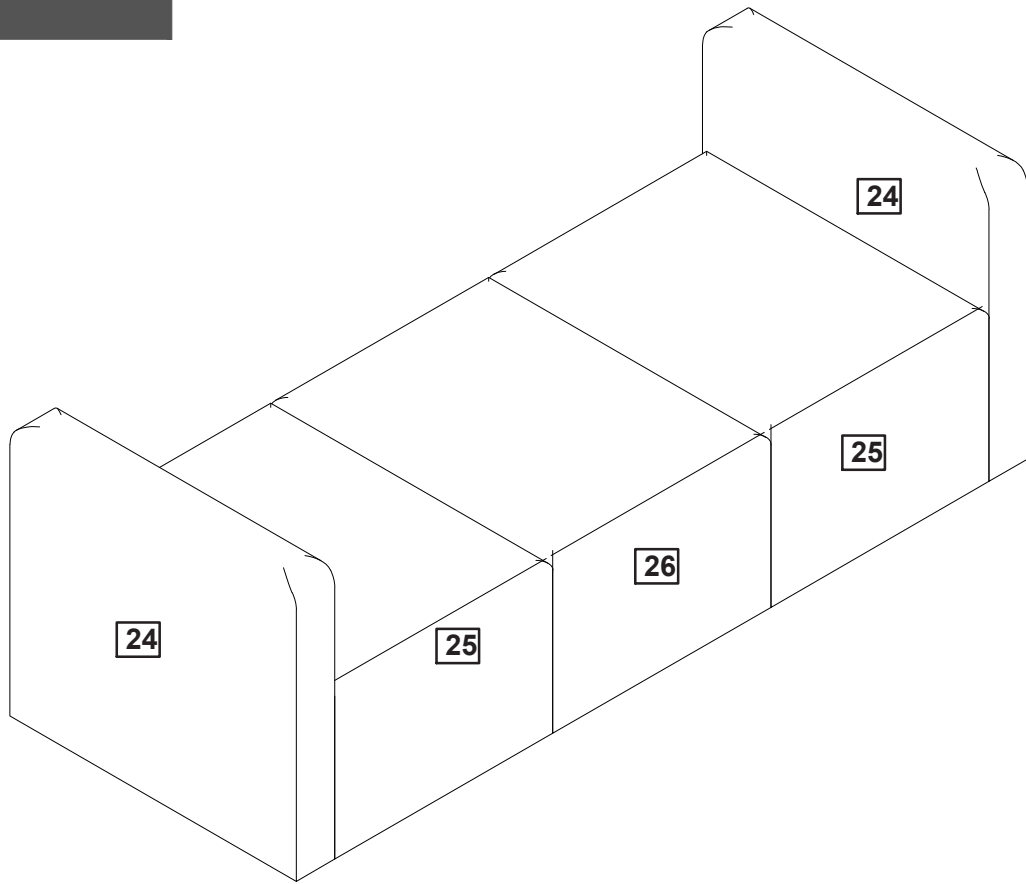


## Step 31

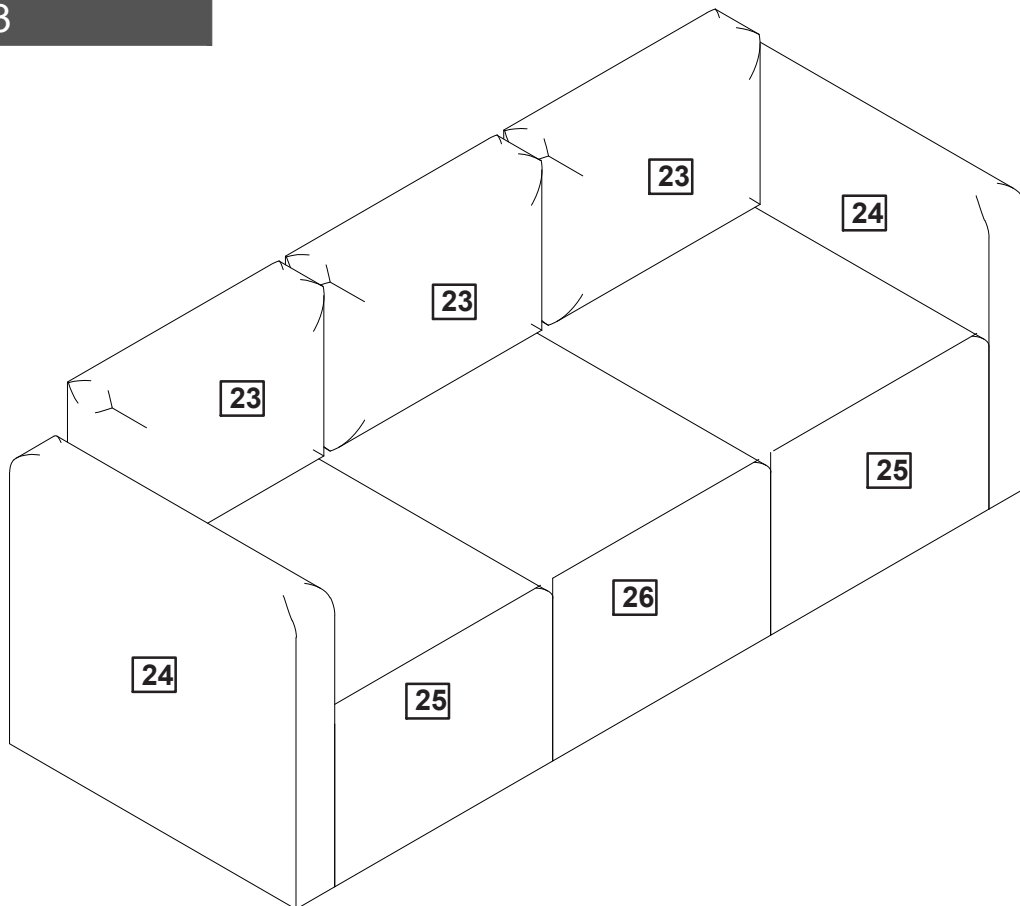


# Sofa Assembly Instruction

## Step 32

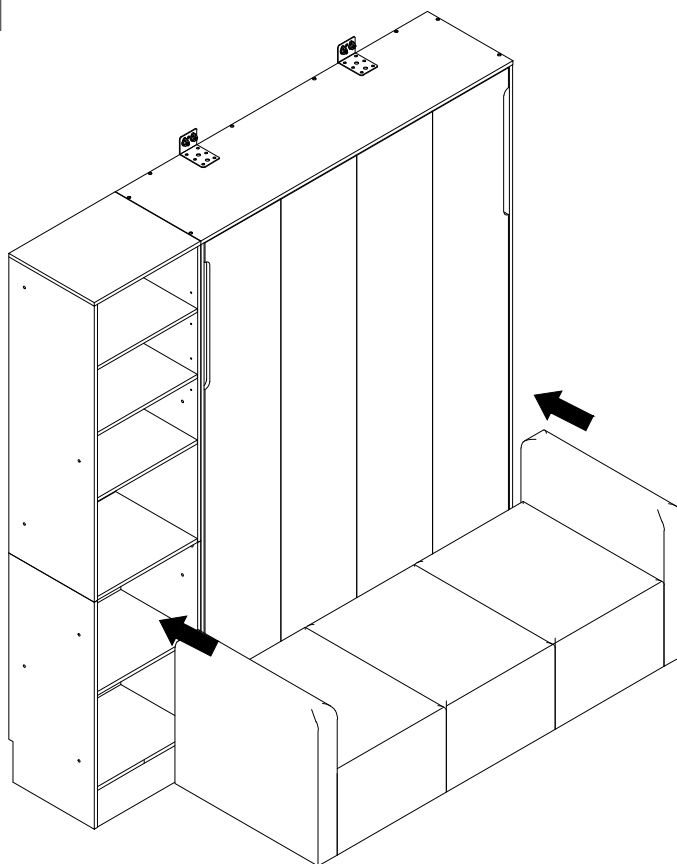


## Step 33

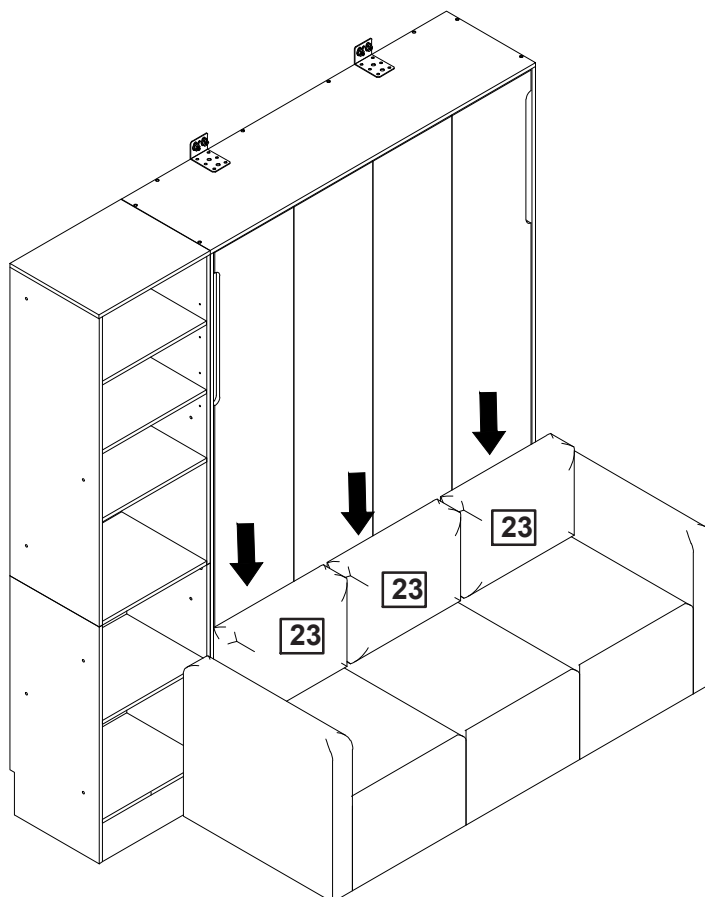


# Sofa Assembly Instruction

## Step 34



## Step 35



Assembly is complete.