

ASCH17



Thank you for choosing this furniture.

BEFORE YOU START ASSEMBLY please store the carton at room temperature for 48 hours or more so the contents can acclimatise.

PLEASE RETAIN ALL PACKING UNTIL YOU HAVE COMPLETED ASSEMBLY.

CARING FOR YOUR FURNITURE

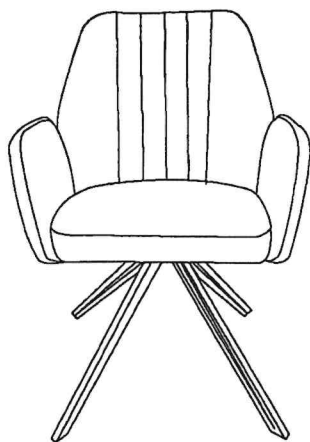
Please avoid placing your chair close to radiators or other direct sources of heat.
 This chair is not suitable for use in humid environments or outdoors.
 It is best to avoid exposing your furniture to continued bright sunlight as it can affect the colour.
 Any fluid spills should be removed as quickly as possible.
 Always lift your chair when moving as dragging may cause damage to your furniture or flooring.
 This chair is designed for domestic use only with a maximum loading of 110kg.

AFTER CARE

Wipe the surfaces with a damp cloth. Please do not use detergents, bleach or chemicals on your furniture.
 RETAIN THE ALLEN KEY PROVIDED TO TIGHTEN THE LEGS OCCASIONALLY. Do not stand or step on this chair.

BUILD YOUR FURNITURE ON A SOFT CLEAN COVER TO AVOID COMPONENTS BEING MARKED OR DAMAGED DURING ASSEMBLY.

PARTS LIST



1	2	3	4
Ax4 M8X14mm	Bx4 M6X13mm	Cx8 M6X16mm	Dx8 M6x16x1.5mm
Fx4 	Gx1 	Hx1 M5	Ix4
			Ex4

BEFORE YOU START ASSEMBLY

Please check that you have all the correct parts and fittings as detailed in the Parts List above.

In the unlikely event that you require to order spare parts please refer to your delivery note for details of how to order on our Parts Website.

www.coreproducts.co.uk/parts

BATCH NUMBER

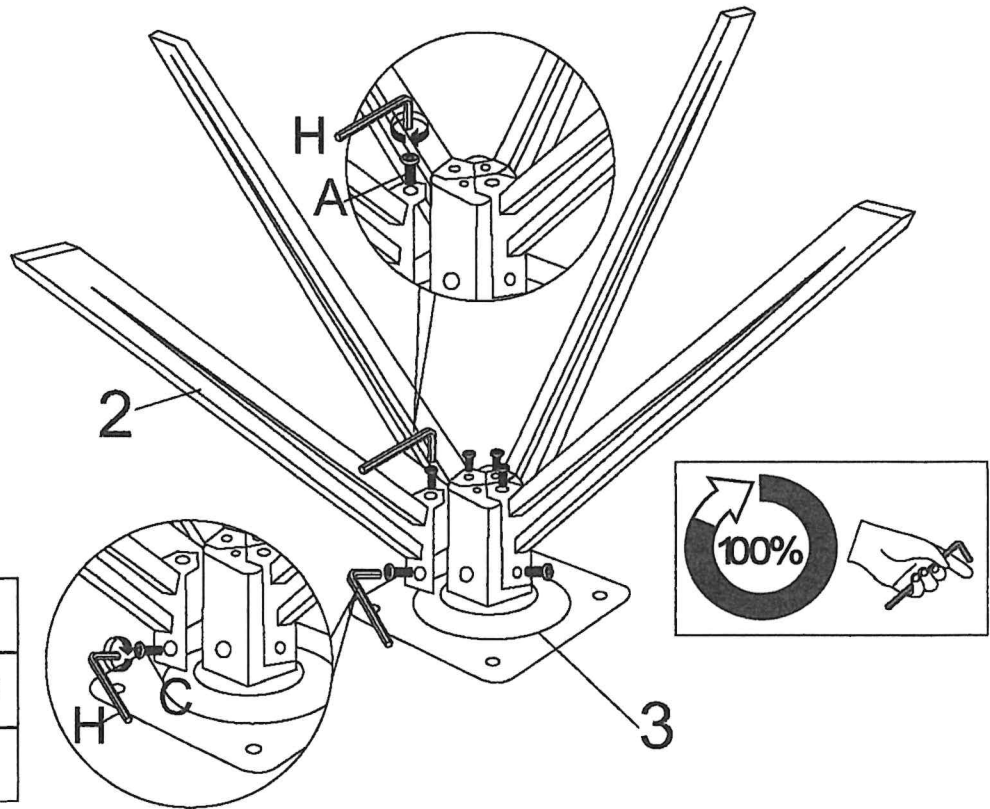
BAZ7455



PLEASE RETAIN THIS INSTRUCTION LEAFLET AND ALLEN KEY FOR FUTURE USE.

1

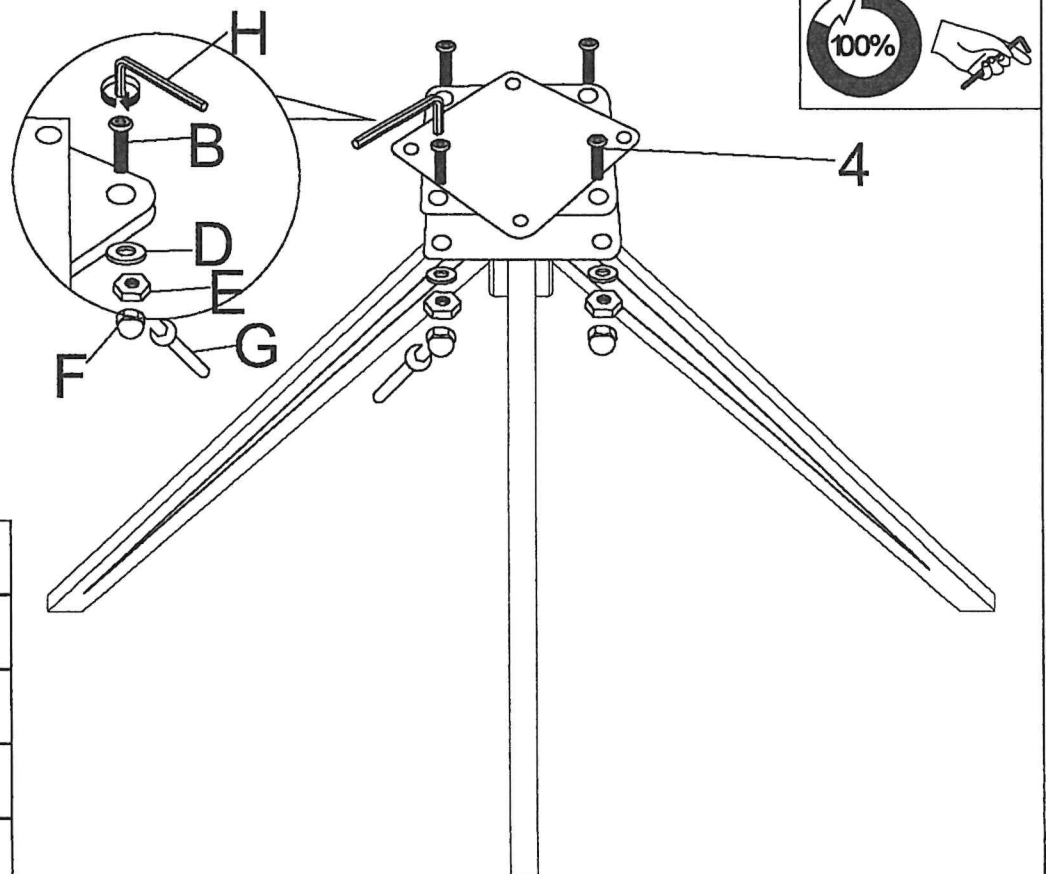
ASSEMBLE YOUR CHAIRS ONE AT A TIME TO AVOID MIXING UP COMPONENTS. BUILD YOUR CHAIRS ON A CLEAN SURFACE TO AVOID COMPONENTS BEING MARKED DURING ASSEMBLY.



A	M8X14mm	4	
C	M6X16mm	4	
H	M5	1	

Slot legs together ensuring the arrows and numbers on the legs are the correct way.

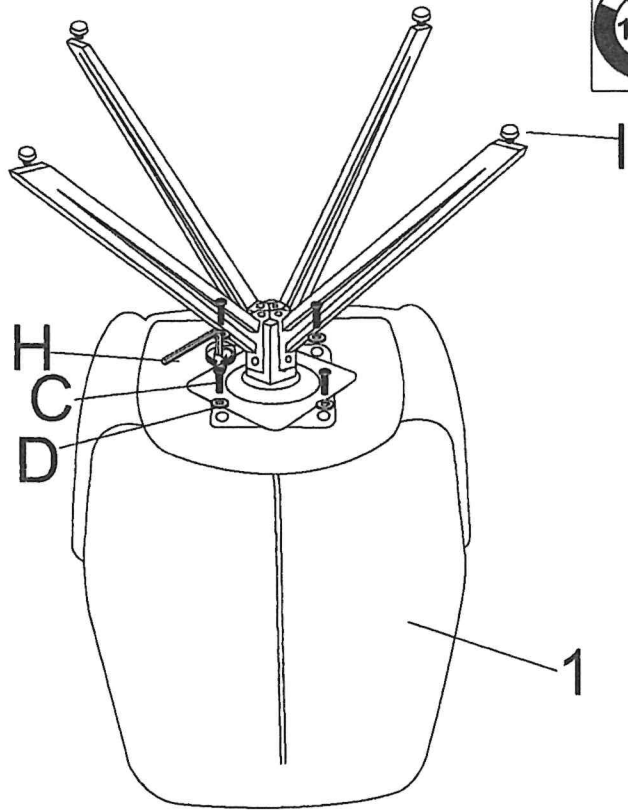
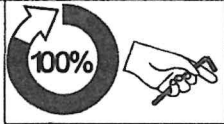
2



B	M6X13mm	4	
D	M6x16x1.5mm	4	
E		4	
F		4	
G		1	
H	M5	1	

Loose fix centre bolt A

3



C	M6X16mm	4	
D	M6x16x1.5mm	4	
H	M5	1	
I		4	

ARROWS TO FACE THE FRONT OF SEAT
Place the chair legs onto the upturned seat and loose fix

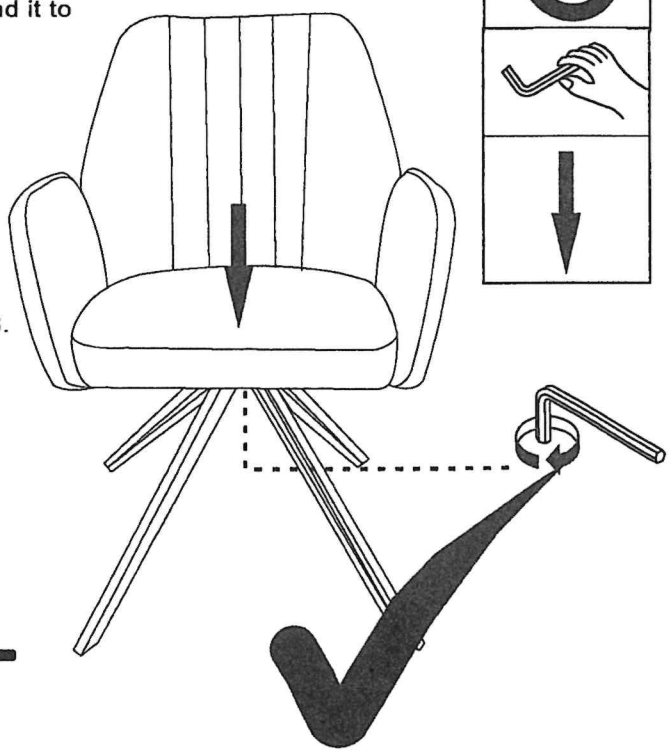
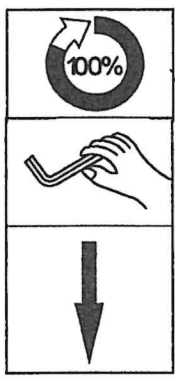
**INSERT CHAIR LEVELLERS FULLY INTO THE CHAIR LEGS,
DO NOT OVERTIGHTEN**

Place chair into the location where you intend it to be used.

If your floor is slightly uneven, adjust the appropriate leg/s by turning the levellers as required.

If your floor is more uneven you may need to adjust all the levellers.

DURING REGULAR USE IT IS BEST TO OCCASIONALLY CHECK THE LEVELLERS.



RETAIN ALLEN KEY TO TIGHTEN BOLTS WHEN NECESSARY