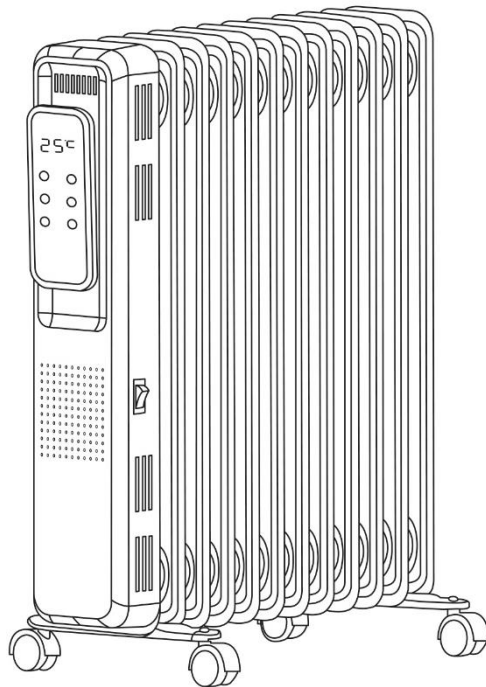




Russell Hobbs

9 Fin / 11 Fin Digital Oil Filled Radiator With Touch Control



Model Number:

RHOFR2009 (B) & RHOFR2521-D (B)

220-240V AC, 50Hz/60Hz, 1830-2180W & 2290W-2720W

This product is only suitable for well insulated spaces or occasional use

PLEASE RETAIN
FOR FUTURE REFERENCE

CONTENTS

	Page(s)
Safety Instructions	3 - 5
Battery Replacement Information	6
Product Overview	7
Base Assembly	8
Control Panel and Remote	9
Operations and Functions	10 - 13
Cleaning and Care	14
Problem Solving	15
Guarantee and Customer Services	16
Spare Parts	17
Connection to the Mains Supply	18
Specification	19 - 20
Notes	21 - 23
Disposable Information	24

SAFETY INSTRUCTIONS

When using electrical appliances, basic safety precautions should always be observed, including the following:

- Read all instructions.
- Check that the your mains voltage corresponds with the rating on the appliance.
- The appliance must not be left unattended while it is connected to the mains supply.
- This appliance must be positioned upright on the floor away from curtains, furniture or wall coverings and other flammable items.
- Do not touch hot surfaces. Use the handle or the controls.
- To protect against electrical shock do not immerse cord, plug, or appliance in water or other liquid. Do not operate with wet hands.
- Do not let the cord hangover the edge of a worktop, table etc. or touch hot surfaces.
- Do not operate any appliance with a damaged cord or plug, or after the appliance malfunctions or is dropped or damaged in any manner. The supply cord cannot be replaced. If the cord is damaged the appliance should be scrapped.
- The use of accessory attachments not recommended by the appliance manufacturer may cause fire, electric shock or injury.
- This appliance must not be immersed
- To disconnect remove the plug from the mains outlet. Do not pull the plug out by the cord.
- Never remove parts from the appliance, such as the feet, screws and so on.
- Never use the appliance near a bath, shower or a swimming pool.
- Never use the appliance on or near hot surface.
- Never move the appliance by pulling the cord.
- Never place flammable objects or clothing on top of the appliance.
- Never move the heater when it is operating. Turn the heater off before move it.
- Allow at least 15cm safe area around the appliance on the top, at the front and sides to provide good air circulation.
- Prevent overheating of the appliance by keeping the fins clean and free of anything that may cause blockage. Check all fins from time to time for accumulated dust. DO NOT COVER.
- **Warning:** Do not lean, sit or stand on the unit.
- **Note:** There is a protective film of grease/oil on the appliance; this should be wiped away with a damp cloth before use and after initial usage (Ensure you dry the product with a soft cloth or paper towel after it has been wiped).



WARNING: In order to avoid overheating, do not cover the heater.

SAFETY INSTRUCTIONS

- Never use the appliance in a room with explosive gas such as petrol, or while using any kinds of flammable glues, sprays or solvents.
- The appliance must not be used with an extension lead.
- Do not place any part of your body near the air inlet, outlet or on the fins ,to avoid personal injury, electric shock or fire.
- If overheating should occur, the built-in overheating safety device will shut the appliance off.
- Caution: Some parts of this product can become very hot and cause burns. Particular attention must be given when children vulnerable people are present.
- Do not insert any foreign objects into the grill.
- Keep all grills clear of any draped fabric or curtains.
- The appliance must not be located immediately below a mains socket. Do not use the appliance with a programmer, timer or any other device that switches the appliance on automatically. A fire risk exists if the appliance is covered or positioned incorrectly.
- Do not operate this appliance for any thing other than its intended use.
- This appliance is not intended for commercial use
- **This product is intended for household use only.** Do not use outdoors.
- This product is only intended for heating.
- **Warning:** It is hazardous for anyone other than a competent person to carry out any service or repair operation which involves the removal of a cover which gives protection against exposure to electrical parts.
- **Warning:** Children should not use this appliance. Close supervision is necessary when any appliances are used near children.
- This appliance can be used by children aged from 8 years and above and persons with reduced physical, sensory or mental capabilities or lack of experience and knowledge if they have been given supervision or instruction concerning use of the appliance in a safe way and understand the hazards involved. Children shall not play with the appliance. Cleaning and user maintenance shall not be made by children without supervision.
- Children of less than 3 years should be kept away unless continuously supervised.
- Children aged from 3 years and less than 8 years shall only switch on/off the appliance provided that it has been placed or installed in its intended normal operating position and they have been given supervision or instruction concerning use of the appliance in a safe way and understand the hazards involved. Children aged from 3 years and less than 8 years shall not plug in, regulate and clean the appliance or perform user maintenance.

SAFETY INSTRUCTIONS

- **Warning:** This appliance is not intended for use by persons (including children) with reduced physical, sensory or mental capabilities, or lack of experience and knowledge, unless they have been given supervision or instruction concerning use of the appliance by a person responsible for their safety. Children should be supervised to make sure that they do not play with the appliance.
- Use this heater on a horizontal and stable surface, or fix it to the wall, as applicable.
- **Warning:** Do not use this heater in small rooms when they are occupied by persons not capable of leaving the room on their own, unless constant supervision is present.
- **Warning:** To reduce the risk of fire, keep textiles, curtains, or any other flammable material a minimum distance of 1 metre from the air outlet.

Electrical Safety

THIS APPLIANCE MUST BE PLUGGED INTO AN EARTHED SOCKET

- Before switching on, make sure that the voltage of your electricity supply is the same as that indicated on the rating plate. This product is designed to operate on 220 – 240V AC 50Hz/60Hz. Connection to any other power source may damage the unit.
- This product may be fitted with a non re-wireable plug. If it is necessary to change the fuse in the plug, the fuse cover must be refitted. If the fuse cover becomes lost or damaged, the plug must not be used until a suitable replacement is obtained.
- If the plug has to be changed because it is not suitable for your socket, or becomes damaged in any way, it should be cut off and an appropriate plug fitted. This should be carried out by a qualified electrician. The plug removed must be disposed of safely, as insertion into a 13 Amp socket is likely to cause an electrical hazard.

Oil Safety

- This heater is filled with a precise quantity of special oil. Repairs requiring opening of oil-container are only to be made by the manufacturer or his service agent who should be contacted in the unlikely event of an oil leak.
- When disposing of the heater, follow the regulations concerning the disposal of oil.

BATTERY REPLACEMENT INFORMATION

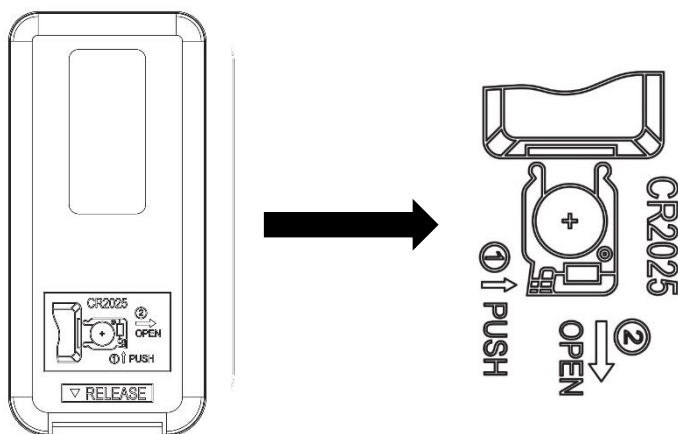
This appliance comes with 1 CR2025 (3V) battery which is to be fitted into the remote.



CAUTION: Batteries are a chemical burn and choking hazard. Keep batteries away from children.

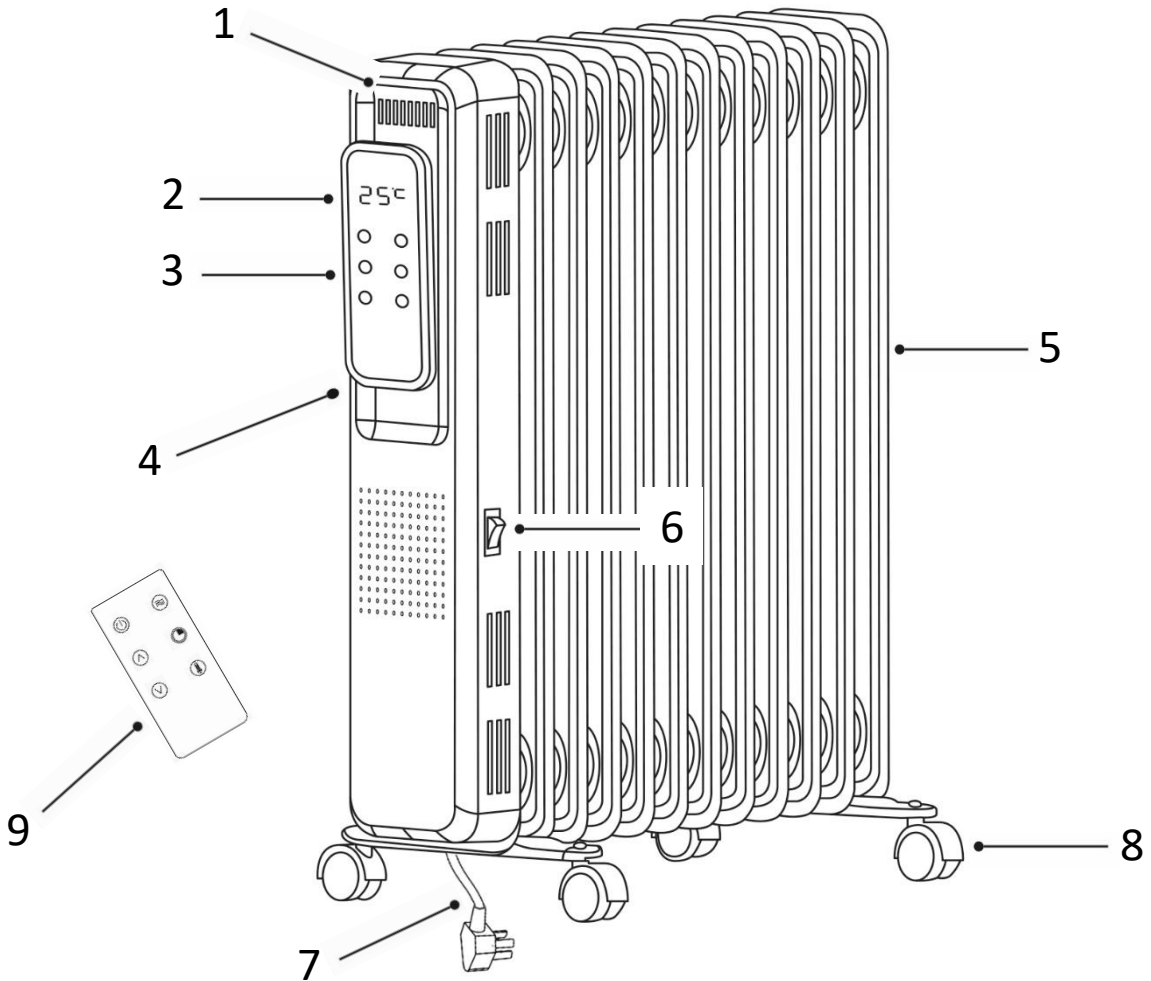
- Ensure that the battery compartment is always completely secure. If the battery compartment does not close securely, stop using the remote, remove the batteries, and keep it away from children.
- If you think batteries might have been swallowed or placed inside any part of the body, seek immediate medical attention. Dispose of cells properly and keep away from children. Even used cells may cause injury.
- Please dispose of or recycle the remote control batteries according to municipal or provincial laws.

To place the batteries into the remote/replace the batteries please follow the instructions below:



1. Remove the cover from the back of the remote.
2. Insert 1 CR2025 (3V) battery as shown above.
3. Replace the cover onto the back of the remote.

PRODUCT OVERVIEW



1. Integrated handle
2. LED display
3. Control panel
4. Cord wrap
5. Fins

6. On/Off switch
7. Power cord
8. Castors
9. Remote control



WARNING: In order to avoid overheating, do not cover the heater.

BASE ASSEMBLY

1. Turn the heater upside down.
2. As shown in Fig. 1, align the mounting holes on the castor assembly units with the screws on the castor pad plates, one at the bottom of the control panel and one at the bottom of the end radiator fin.
3. As shown in Fig. 2, proceed to place the 2 butterfly nuts onto the each of the 2 screws and tighten as much as possible.
4. Turn the heater around and check that it is stable on the ground, if not repeat the above process again.

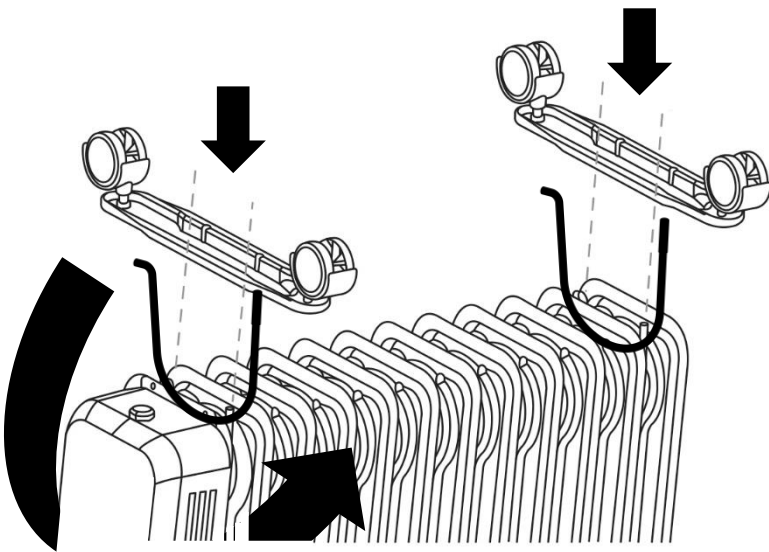


Fig. 1

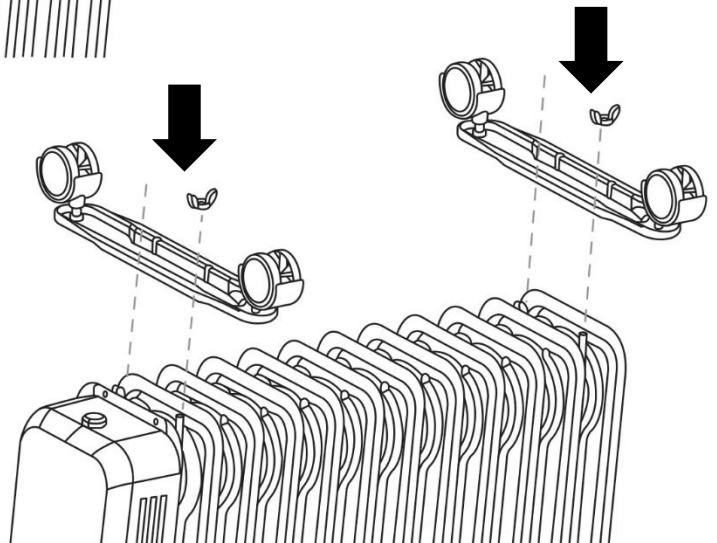
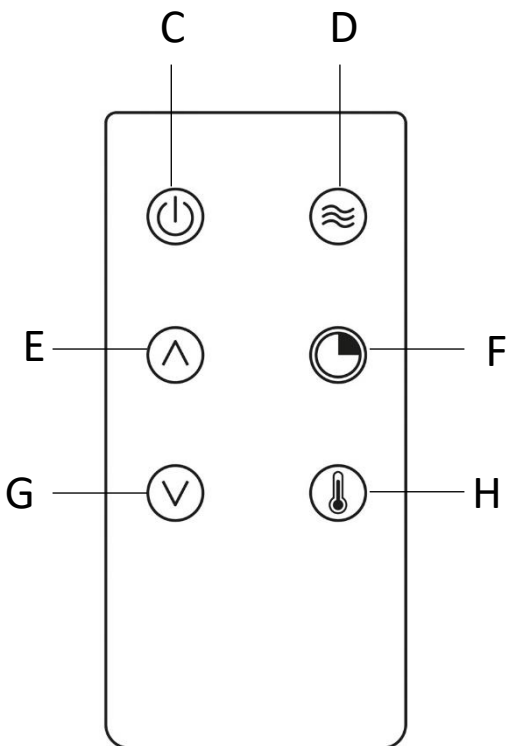
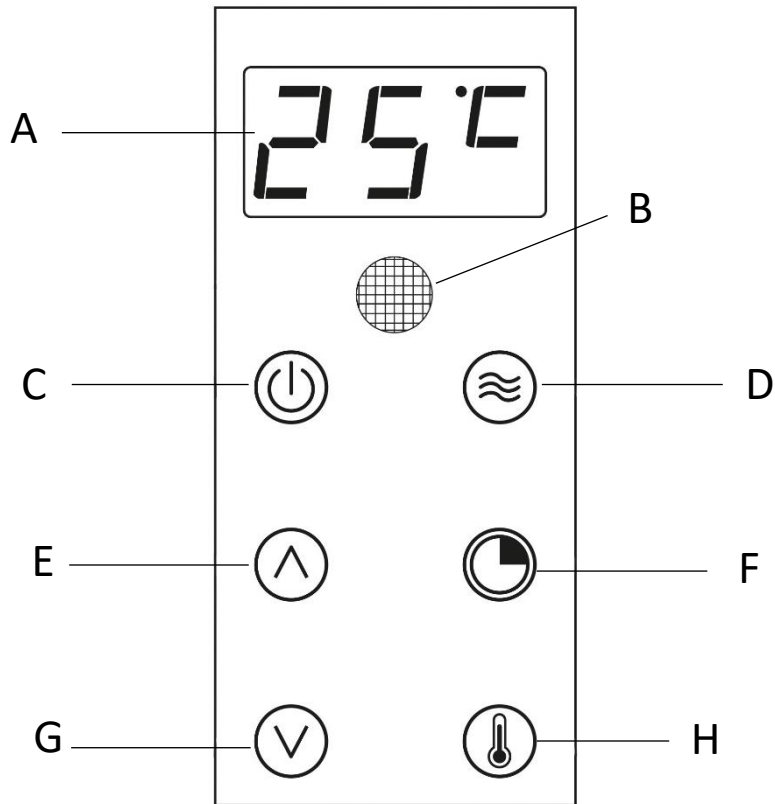


Fig. 2

CONTROL PANEL & REMOTE



- A. LED display
- B. Remote control receiver
- C. Power on/off button
- D. Mode selection button
- E. Temperature/timer increase button
- F. Timer button
- G. Temperature/timer decrease button
- H. Temperature button

OPERATIONS AND FUNCTIONS

Before connecting your appliance to the mains socket, position the appliance upright on the floor, at least 90cm away from the wall, curtains, furniture or wall coverings.

Insert the mains plug into a suitable wall mains socket and **press the power switch of the side on the unit to the on position**. The unit will then enter standby mode, as shown by the “**Power On/Off**” button lowly lit. Your heater is now ready for use.



Power On/Off Button

- Press the “**Power On/Off**” button on the appliance/ remote control once to turn the heater on with default settings: High mode and a temperature setting of 24°C,
- Press the “**Power On/Off**” button again to put the heater into standby mode.



Mode Button

- When the unit is on, repeatedly press the “**Mode**” button on the appliance/remote control to cycle through the modes: High (3) -> Medium (2) -> Low (1).
- Once the mode has been set, the “**Mode**” button on the control panel will be illuminated. After 3 seconds the display will change from the mode (3,2,1) back to the temperature.
- The temperature can be set and adjusted in all modes.
- When the set temperature is reached, the heater will stop working. When the ambient temperature is lower than the set temperature, the heater will start working again.

OPERATIONS AND FUNCTIONS



Temperature Button

- When the unit is on, press the “**Temperature**” button on the appliance/remote control.
- The “**Temperature**”, “**^**” or “**v**” buttons will illuminate, and the current set temperature will be displayed and flash.
- Use the “**^**” or “**v**” buttons on the appliance/remote control to adjust the temperature from 7°C to 35°C in 1°C increments.
- After 5 seconds of inactivity the temperature will be set; alternatively, once you have selected your required temperature press the “**Temperature**” button again to confirm.
- When the unit is on, press and hold the “**Temperature**” button for 5 seconds to change the temperature mode from Celsius to Fahrenheit. Repeat this to change the temperature mode from Fahrenheit to Celsius.
- Please note that in Fahrenheit mode, the default temperature will be 75°F and the setting range is 45°F - 95°F.



Adjustment Buttons



- When the unit is on, press the “**^**” or “**v**” buttons on the appliance/remote control to adjust the temperature as mentioned above. If you rapidly press the “**^**” or “**v**” buttons, the temperature will change rapidly.
- The adjustment buttons can also be used to adjust the timer, as described below.

OPERATIONS AND FUNCTIONS



Timer Button

- When the power is on, you can schedule to shut off the heater, or when in standby mode you can schedule to turn on the heater.
- To set press the “**Timer**” button; the “**Timer**” button will now illuminate.
- Use the “**^**” or “**v**” buttons on the appliance/remote control to adjust the hours on the timer. The timer will cycle through 00, 01, 02...24 hours. If you rapidly press or hold down the “**^**” or “**v**” buttons, the timer will change rapidly.
- After 5 seconds of inactivity the timer will be set; alternatively, once you have selected your required time press the “**Timer**” button again to confirm. The “**Timer**” button will now remain illuminated until the timer is up. If “0” hours is selected then the timing indicator will remain dimly lit, as before.
- The display will show the selected timer length for 3 seconds after confirmation. The display will then change back to the temperature.
- When the time is up, the appliance will automatically stop running.
- **NOTE:** The heater must remain plugged in for this function to work.

PLEASE NOTE: Once the appliance has been plugged into the mains, if there is no operation within 3 minutes the unit will then enter standby mode, as shown by the “**Power On/Off**” button lowly lit. To wake the appliance press the “**Power On/Off**” or “**Timer**” button. Your heater is now ready for use.

OPERATIONS AND FUNCTIONS

Other Functions

Memory Function - If the heater is turned off then on again, it will resume operation in the mode it was in before it was turned off. If the heater is unplugged then plugged back in again, it will default to the original settings.

Tip-Over Protection - When the heater is tipped over, the heater will automatically shut off. Place the heater on a flat, level, and stable surface and turn the heater on again.

Overheat Protection - Overheat protection - the power to the heating elements will automatically cut off if the temperature of the heating elements exceeds a certain limit. In the event of overheating, the heater will stop operating. Once the appliance has completely cooled the appliance will then resume operating as normal.

Anti-frost function - When plugged in and in the standby mode, the heater will automatically turn on when the room temperature is lower than 5°C (41°F), and when the room temperature is higher than 7°C (45°F), the heater will stop and return to the standby mode.

When the anti-frost function is turned on, the “**Power On/Off**” button will flash, and the LED display will show the current temperature (degrees Celsius or Fahrenheit, depending on the settings chosen).

CLEANING AND CARE

WARNING: Electrical Shock Hazard.

Before you clean the appliance, disconnect the mains plug from the wall socket.

- Allow the appliance to cool down completely before cleaning.
- Do not immerse cord, plug or appliance in any liquid or allow moisture to come into contact with electrical parts.
- Clean the outer surface using a moist cloth and wipe over with a dry, soft cloth.
- Do not use harsh detergents, abrasives or spray on cleaners.
- Don't allow water to seep into the openings or come into contact with electrical connections.
- Allow sufficient drying time before operating again.
- Clean the air inlets and outlets regularly with a vacuum cleaner using the brush attachment (with a regular use, at least twice a year).
- When the appliance is not in use. We recommend that, the heater is re-packed in its original packaging and stored in a cool, dry place.

PROBLEM SOLVING

My appliance does not work when I turn it on:

1. Check that your appliance is plugged in and the power is turned on at the mains socket.
2. Try another mains socket.
3. Check the appliance is in an upright position.
4. Check that the temperature setting has not been set too low.
5. If the appliance still doesn't work, do not try to repair it yourself.

If your appliance power is automatically cut off, follow the step below:

1. Unplug your appliance from the mains socket and allow it to completely cool down.
2. Inspect your appliance. If there are any signs of physical damage (e.g. melting, or burning of the case), do not attempt to use the appliance. Please leave all maintenance work to qualified personnel.
3. Plug in the appliance and switch it on again. If it cuts off again, move the appliance to a better ventilated location.

GUARANTEE AND CUSTOMER SERVICES

This product is guaranteed for **12 months** from the date of the original purchase. If any defect arises due to faulty materials or workmanship, the faulty product must be returned to the place of purchase. Refund or replacement is at the discretion of the retailer.

The following conditions apply:

- The product must be returned to the retailer with the original proof of purchase.
- The product must be installed and used in accordance with the instructions contained in this instruction guide and any other instructions for use which are supplied.
- It must be used for domestic purposes only and for its intended use.
- This warranty does not cover wear and tear, damage, misuse or consumable parts.

This does not affect your statutory rights.

Customer Services & Spare Parts:

Region	Contact	Website
UK & Northern Ireland	0345 209 7461	mda.russellhobbs.com
Ireland	1 800 938982	ie.mda.russellhobbs.com
Rest of Europe	europe@productcaregroup.com	de.mda.russellhobbs.com fr.mda.russellhobbs.com es.mda.russellhobbs.com it.mda.russellhobbs.com nl.mda.russellhobbs.com

SPARE PARTS

To check the availability of the following spare parts, simply contact our friendly Customer Services team using the details provided on the previous page.

Castors

U-bolts

Base Plate

Remote Control

CONNECTION TO THE MAINS SUPPLY

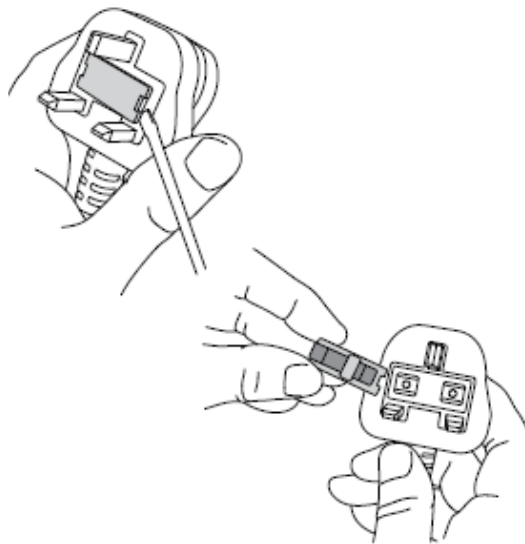
This appliance is designed to operate from a mains supply of 220-240V~50Hz.

Check that the voltage marked on the product corresponds with your supply voltage.

How to change the fuse

1. Slot the end of a screwdriver into the recess in the fuse holder of the plug.
2. Pull the fuse holder upwards until free of the plug and slide the fuse out.
3. Replace the fuse and replace fuse holder, pushing down until locked into place.

Important: Only ever use a 13 amp fuse.



SPECIFICATION

Model number RHOFR2009 (B)
 Rated voltage 220V - 240V ~ 50Hz/60Hz
 Power consumption 1830W - 2180W
 Product dimensions (CMS) (H)63 x (W)24.5 x (D)42.5

Model number RHOFR2521 (B)
 Rated voltage 220V - 240V ~ 50Hz/ 60Hz
 Power consumption 2290W - 2720W
 Product dimensions (CMS) (H)63 x (W)24.5 x (D)50.5

Model number				RHOFR2009 (B)	
Item	Symbol	Value	Unit	Item	Unit
Heat output				Type of heat input, for electric storage local space heaters only	
Nominal heat output	P_{nom}	1.83-2.18	kW	manual heat charge control, with integrated thermostat	No
Minimum heat output (indicative)	P_{min}	0.80	kW	manual heat charge control with room and/or outdoor temperature feedback	No
Maximum continuous heat output	$P_{max,c}$	2.18	kW	electronic heat charge control with room and/or outdoor temperature feedback	No
				fan assisted heat output	No
Auxiliary electricity consumption				Type of heat output/room temperature control	
At nominal heat output	e_{lmax}	N/A	kW	single stage heat output and no room temperature control	No
At minimum heat output	e_{lmin}	N/A	kW	Two or more manual stages, no room temperature control	No
In standby mode	e_{lSB}	0.00039	kW	with mechanic thermostat room temperature control	No
				with electronic room temperature control	Yes
				electronic room temperature control plus day timer	No
				electronic room temperature control plus week timer	No
				Other control options (multiple selections possible)	
				room temperature control, with presence detection	No
				room temperature control, with open windowdetection	No
				with distance control option	No
				with adaptive start control	No
				with working time limitation	No
				with black bulb sensor	No
Contact details		Product Care Trading Ltd, Unit 1 Green Bank Business Park, Swan Lane, Hindley Green, Wigan, WN2 4AY, United Kingdom			
		Product Care (Ireland) Ltd, Unit 3D North Point House, North Point Business Park, New Mallow Road, Cork, T23 AT2P, Ireland			

SPECIFICATION

Model number	RHOFR2521 (B)				
Item	Symbol	Value	Unit	Item	Unit
Heat output				Type of heat input, for electric storage local space heaters only	
Nominal heat output	P_{nom}	2.29-2.72	kW	manual heat charge control, with integrated thermostat	No
Minimum heat output (indicative)	P_{min}	1.00	kW	manual heat charge control with room and/or outdoor temperature feedback	No
Maximum continuous heat output	$P_{max,c}$	2.72	kW	electronic heat charge control with room and/or outdoor temperature feedback	No
				fan assisted heat output	No
Auxiliary electricity consumption				Type of heat output/room temperature control	
At nominal heat output	e_{max}^{el}	N/A	kW	single stage heat output and no room temperature control	No
At minimum heat output	e_{min}^{el}	N/A	kW	Two or more manual stages, no room temperature control	No
In standby mode	e_{SB}^{el}	0.00039	kW	with mechanic thermostat room temperature control	No
				with electronic room temperature control	Yes
				electronic room temperature control plus day timer	No
				electronic room temperature control plus week timer	No
				Other control options (multiple selections possible)	
				room temperature control, with presence detection	No
				room temperature control, with open window detection	No
				with distance control option	No
				with adaptive start control	No
				with working time limitation	No
				with black bulb sensor	No
Contact details	Product Care Trading Ltd, Unit 1 Green Bank Business Park, Swan Lane, Hindley Green, Wigan, WN2 4AY, United Kingdom Product Care (Ireland) Ltd, Unit 3D North Point House, North Point Business Park, New Mallow Road, Cork, T23 AT2P, Ireland				

NOTES

NOTES

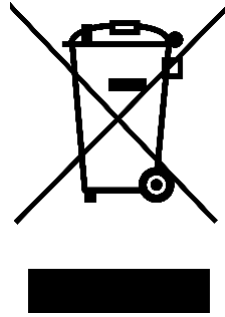
NOTES



Russell Hobbs

Made by Product Care Trading Limited under license from Spectrum Brands (UK) Limited. Product Care Trading Ltd, Unit 1 Green Bank Business Park, Swan Lane, Hindley Green, Wigan, WN2 4AY, United Kingdom / Product Care (Ireland) Ltd, Unit 3D North Point House, North Point Business Park, New Mallow Road, Cork, T23 AT2P, Ireland. Russell Hobbs is the registered trademark of Spectrum Brands (UK) Ltd.

UK
CA



The 'wheelee bin' symbol is known as the 'Crossed-out wheelee bin Symbol'.

When this symbol is marked on a product/batteries, it means that the product/batteries should not be disposed of with your general household waste. Only discard electrical/electronic/battery items in separate collection schemes, which cater for the recovery and recycling of materials contained within. Your co-operation is vital to ensure the success of these schemes and for the protection of the environment. For your nearest disposal facility, visit www.recycle-more.co.uk or ask in store for details.

SEDEX – Connecting businesses and their global suppliers to share ethical data and enabling improvement in ethical performance. Visit www.sedex.org.uk for further information.

We reserve the right, due to possible changes to design, to alter the instruction manual without prior notice.

Revision 1.7