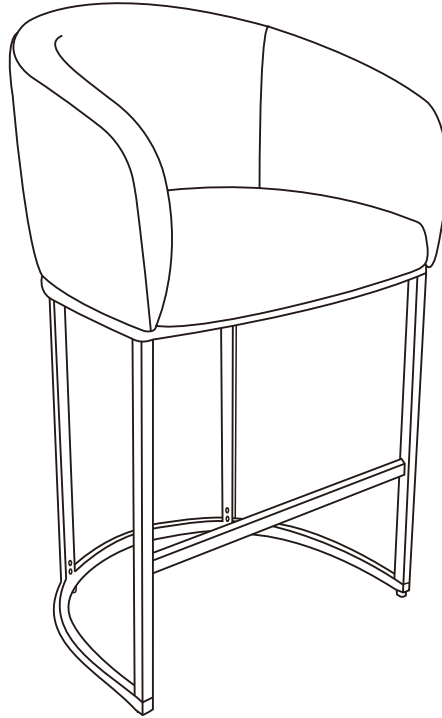


# BAR STOOL

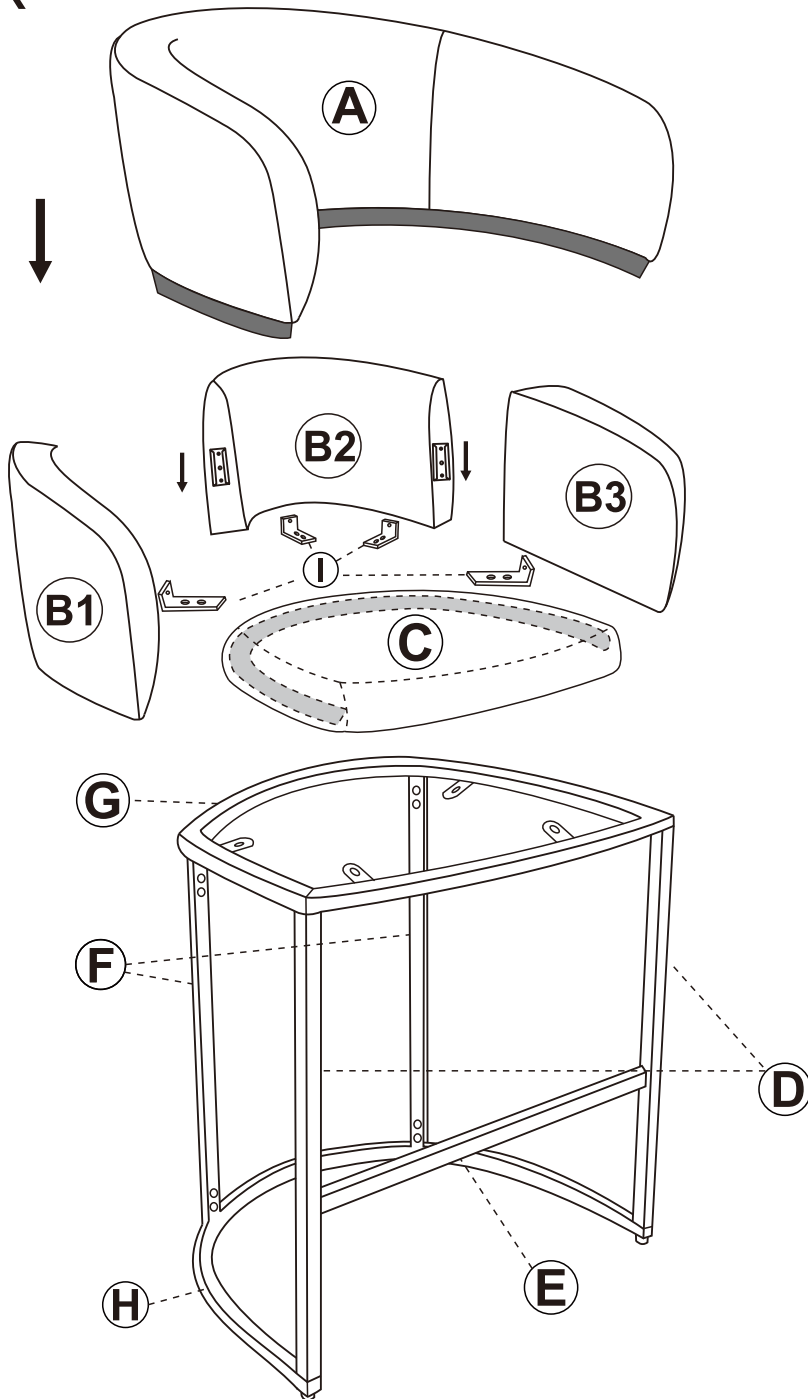
## Assembly Instruction



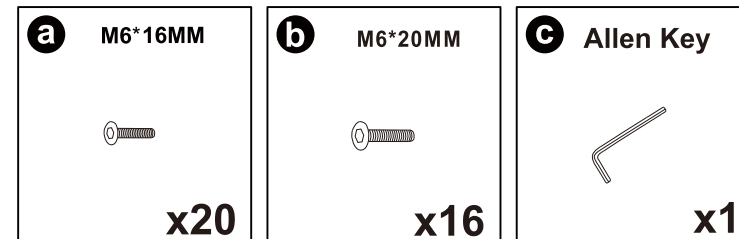
### **Dear Customers,**

**Thank you for purchasing our product. Please read this instruction manual carefully after receiving this product. It will help you assemble this product quickly, safely and correctly. You can keep this manual for future reference.**

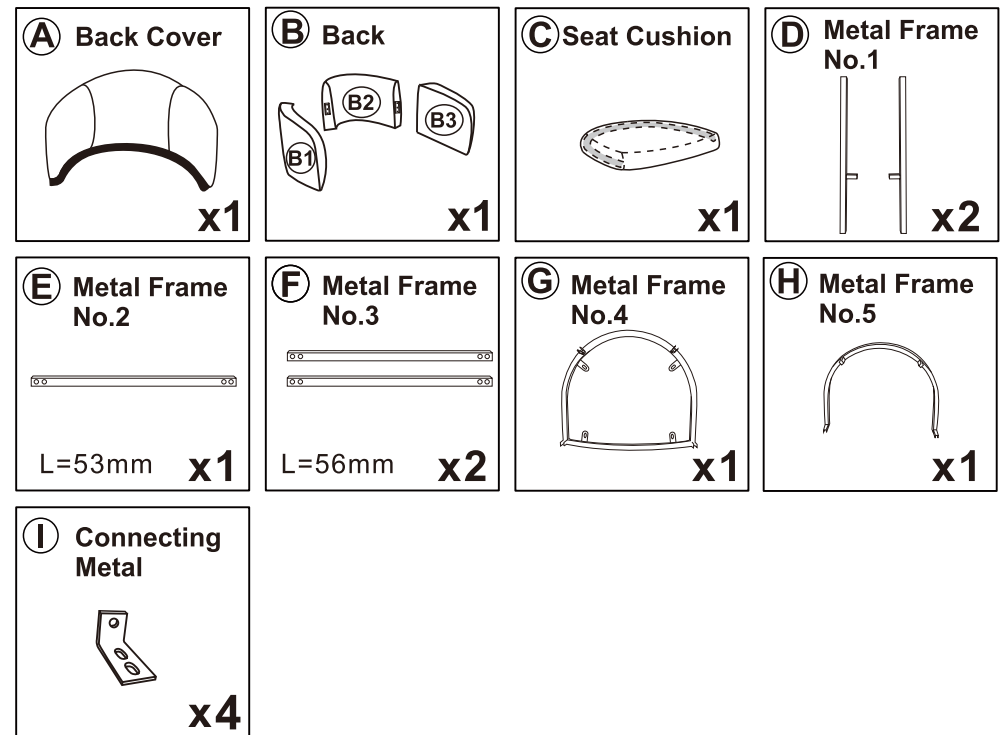
# CHAIR



## Hardware parts



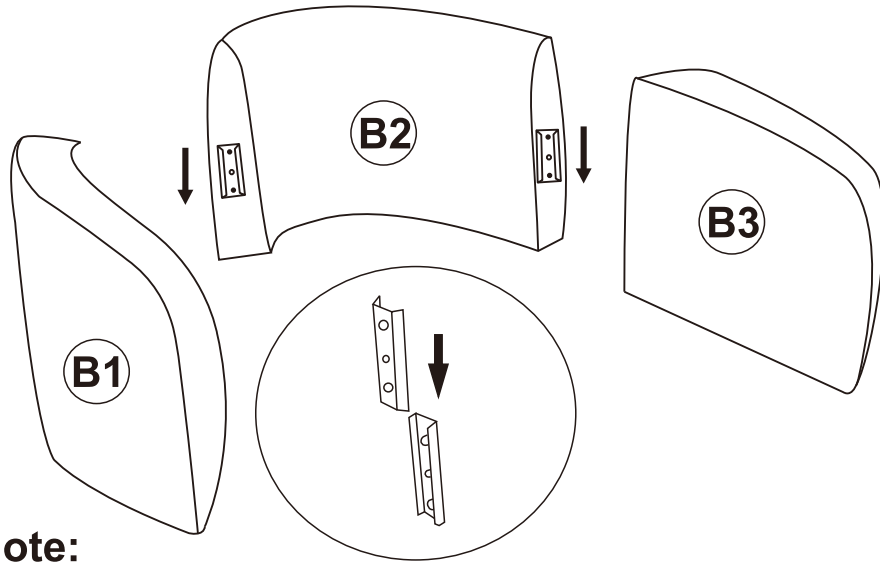
## Main structure accessories



# Kind Reminder:

Due to the size of our product, it would be easier to assemble it with your partner together.

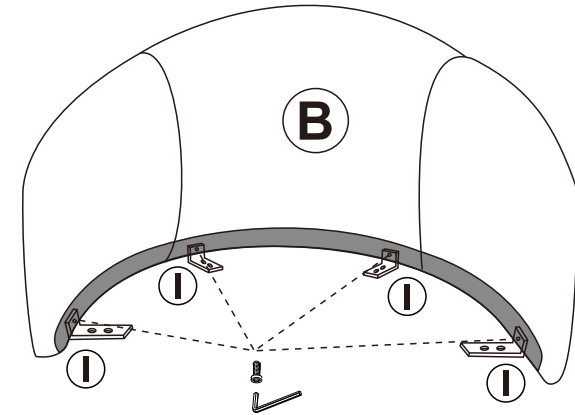
### STEP 1



**Note:**

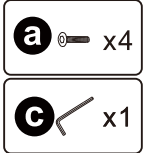
Please attention the direction of fastener to combine the parts **B1&B2&B3** together.

### STEP 2

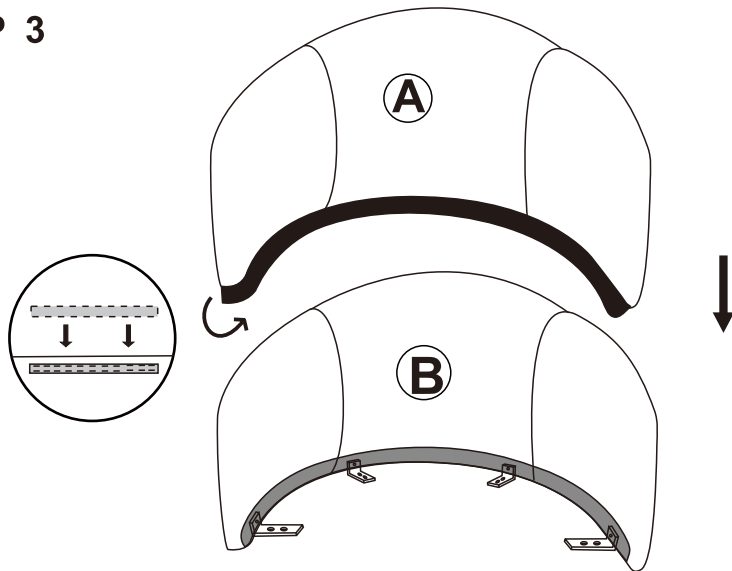


**Note:**

Screwing 4pcs **a** to connect the parts **I&B**.



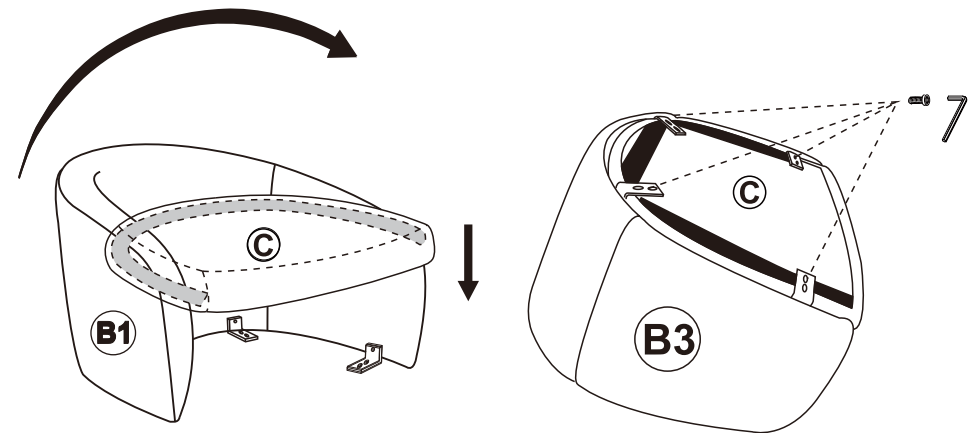
### STEP 3



**Note:**

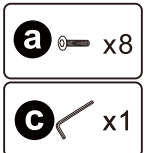
Covering part **B** using with part **A**, and then secure it by Nylon fastener.

### STEP 4

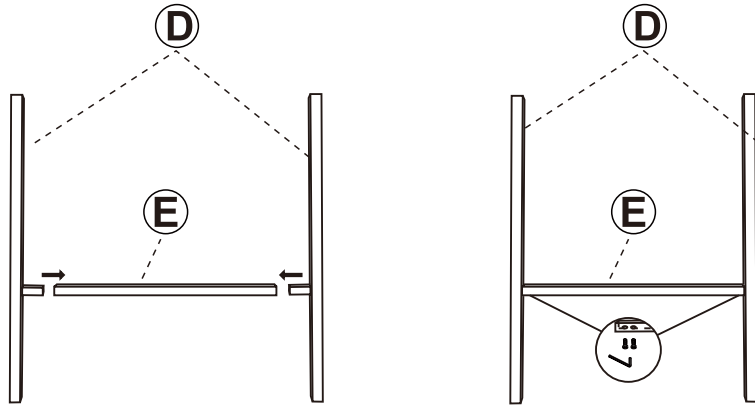


**Note:**

Screwing 8pcs **a** to connect the parts **B&C**.



### STEP 5

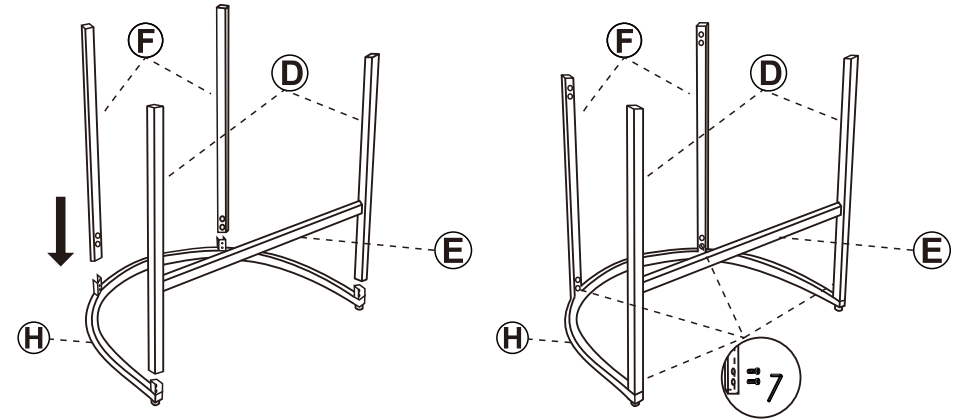


#### Note:

Screwing 4pcs **b** to connect the parts E&D.



### STEP 6

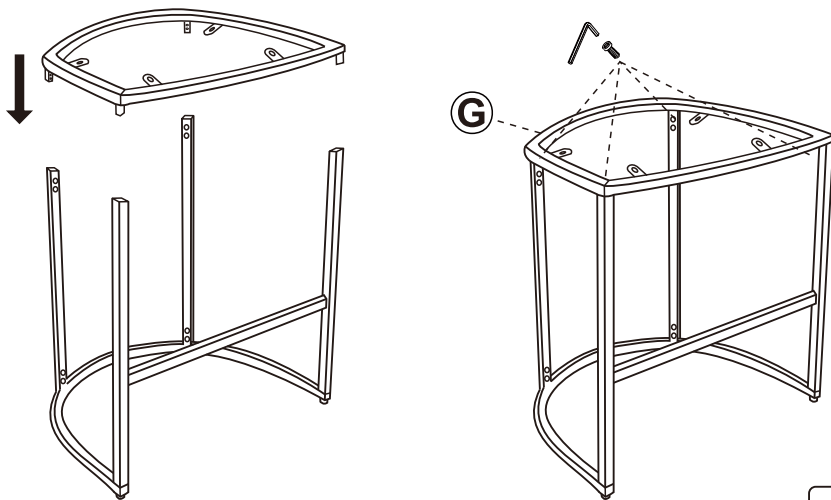


#### Note:

Screwing 8pcs **b** to connect the parts E&F&H&D.



### STEP 7

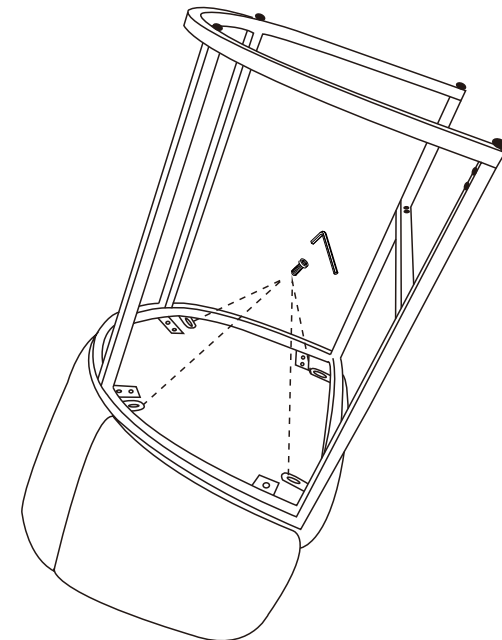


#### Note:

Screwing 8pcs **b** to connect the part G.



### STEP 8

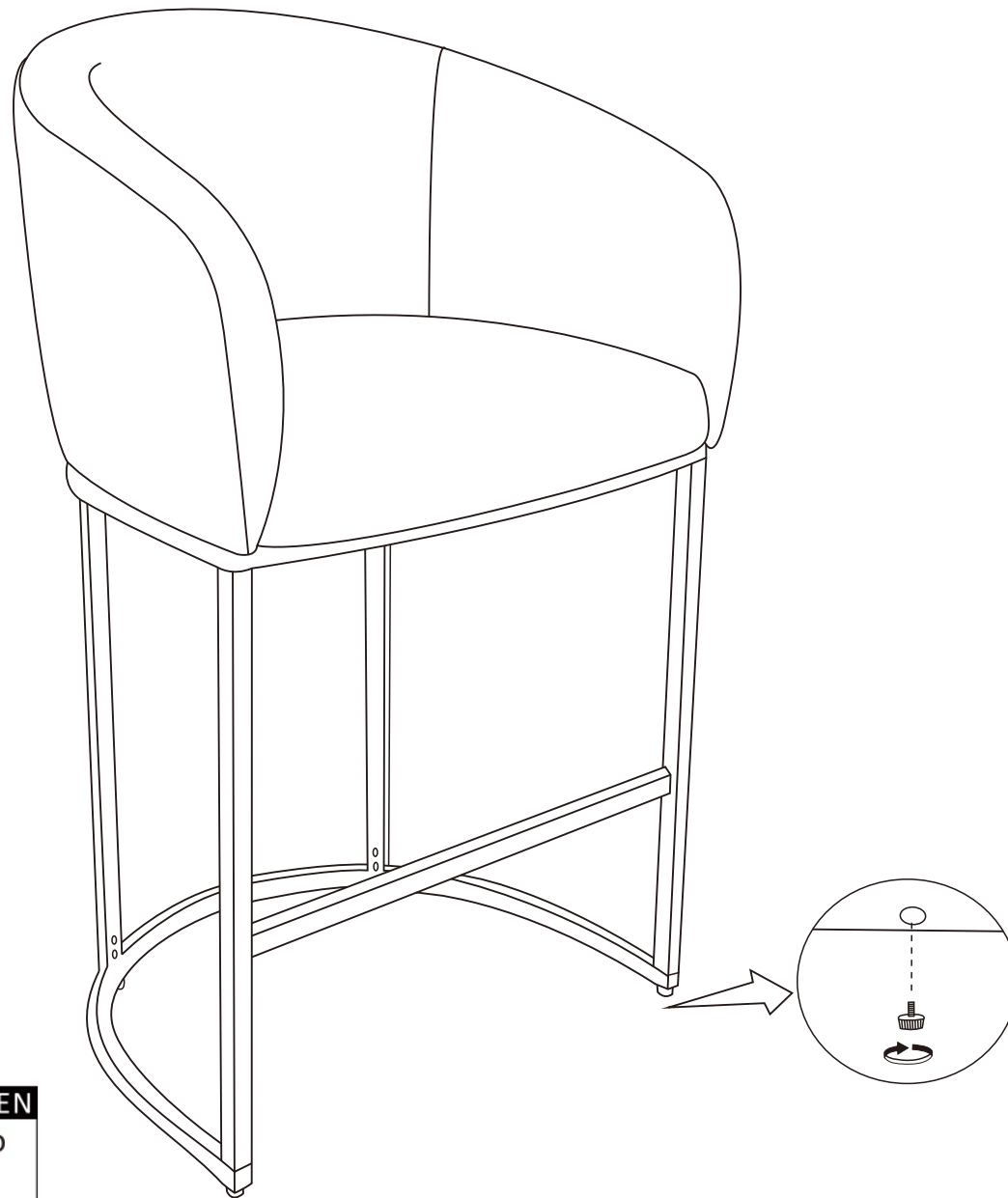


#### Note:

Screwing 4pcs **a** to connect the Metal Frame&Cushion.



# STEP 9



**Note:** Screws in the adjustable feet to keep the chair balanced.

EN