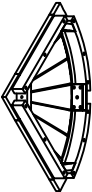
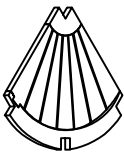

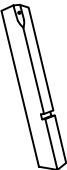
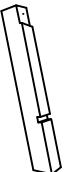


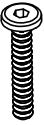
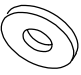

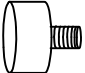



Part List and Hardware List

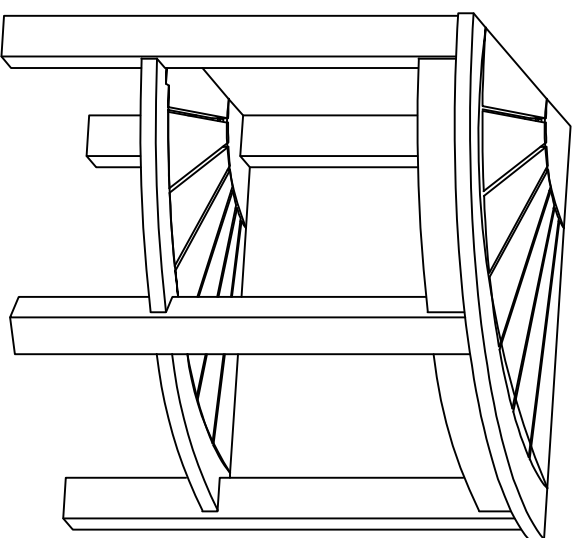
1	Face Cluster 1		1x
2	Face Cluster 2		1x
3	Leg 1		1x
4	Legs 2		2x
5	Leg 3		1x
(A)	Screw 1	 M6x40 mm	1x
(B)	Screw 2	 M4x12 mm	8x
(C)	Bolt	 M6x50 mm	3x
(D)	Washers		4x
(E)	Pat Corner		4x
(F)	Foot Cap		4x
(G)	Allen Key	 M4	1x

JY



JONATHAN Y

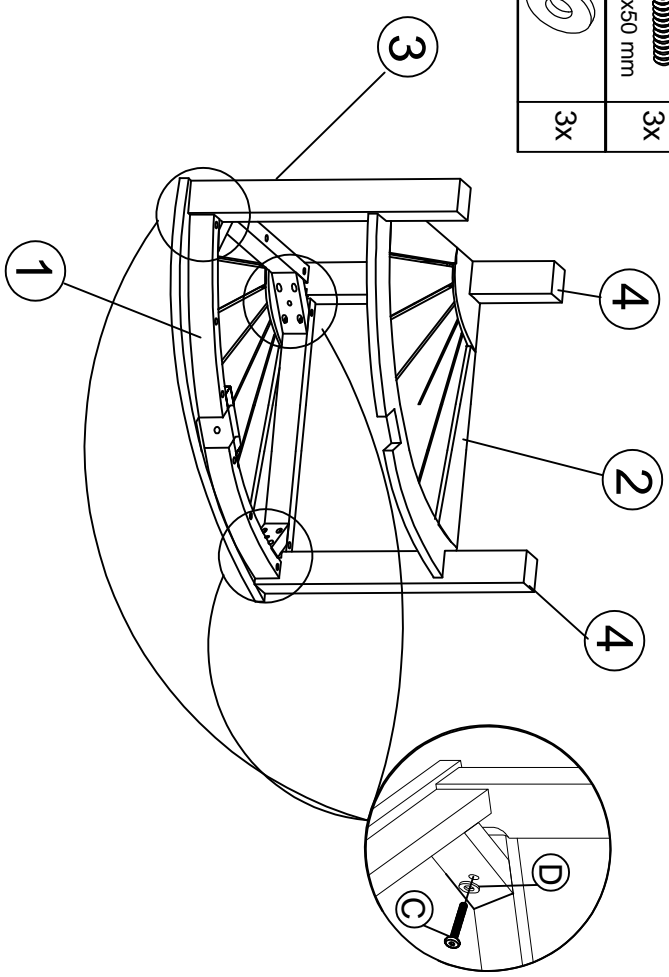
MODEL#END6002



Product Dimension: 15.7"D x 15.7"W x 18.1"H

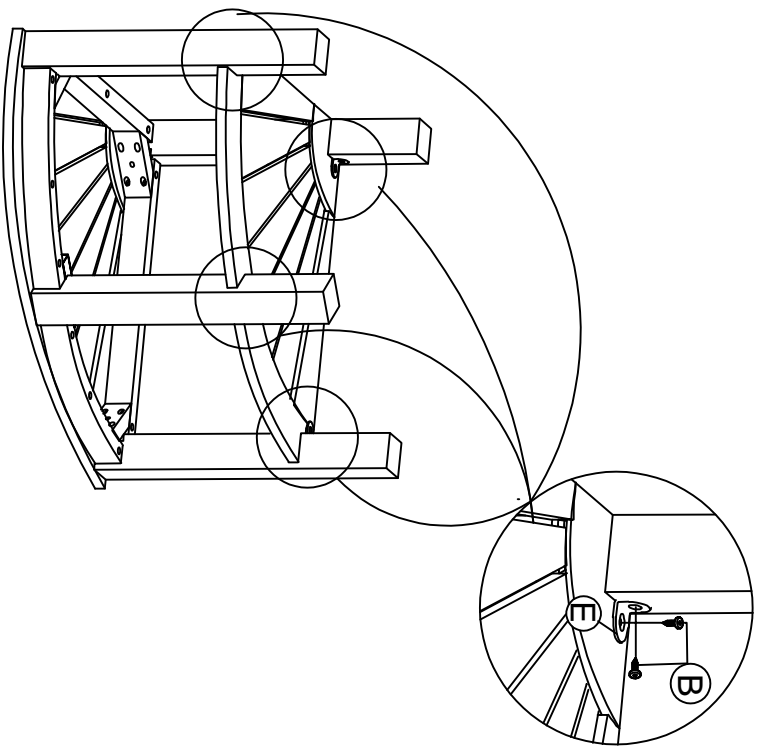




If there are any questions relating to defects, missing parts, assembly issues or replacements, please send a detailed email to cs@jonathany.com.

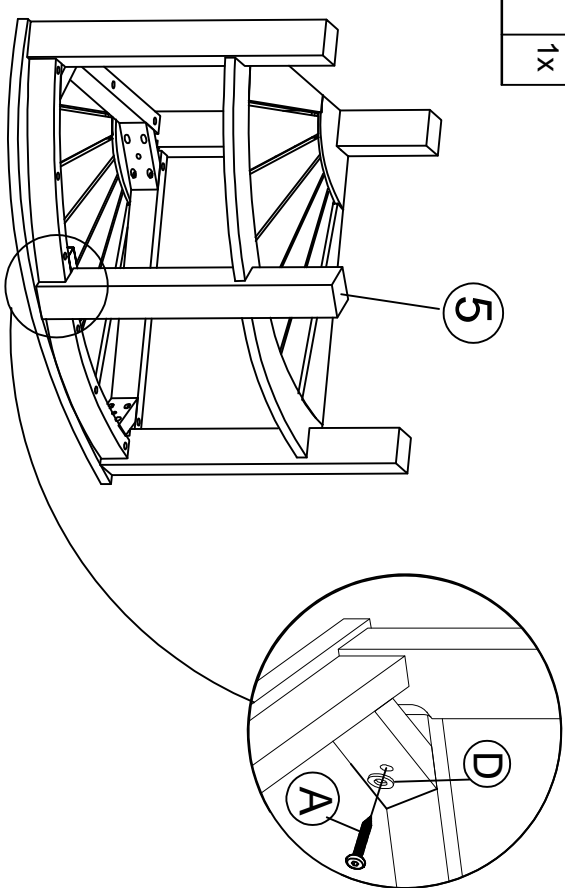
1		
C		3X
D		3X

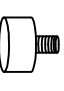


3		
B		8X
E		4X



2		
A		1X
D		1X



4		
F		4X

