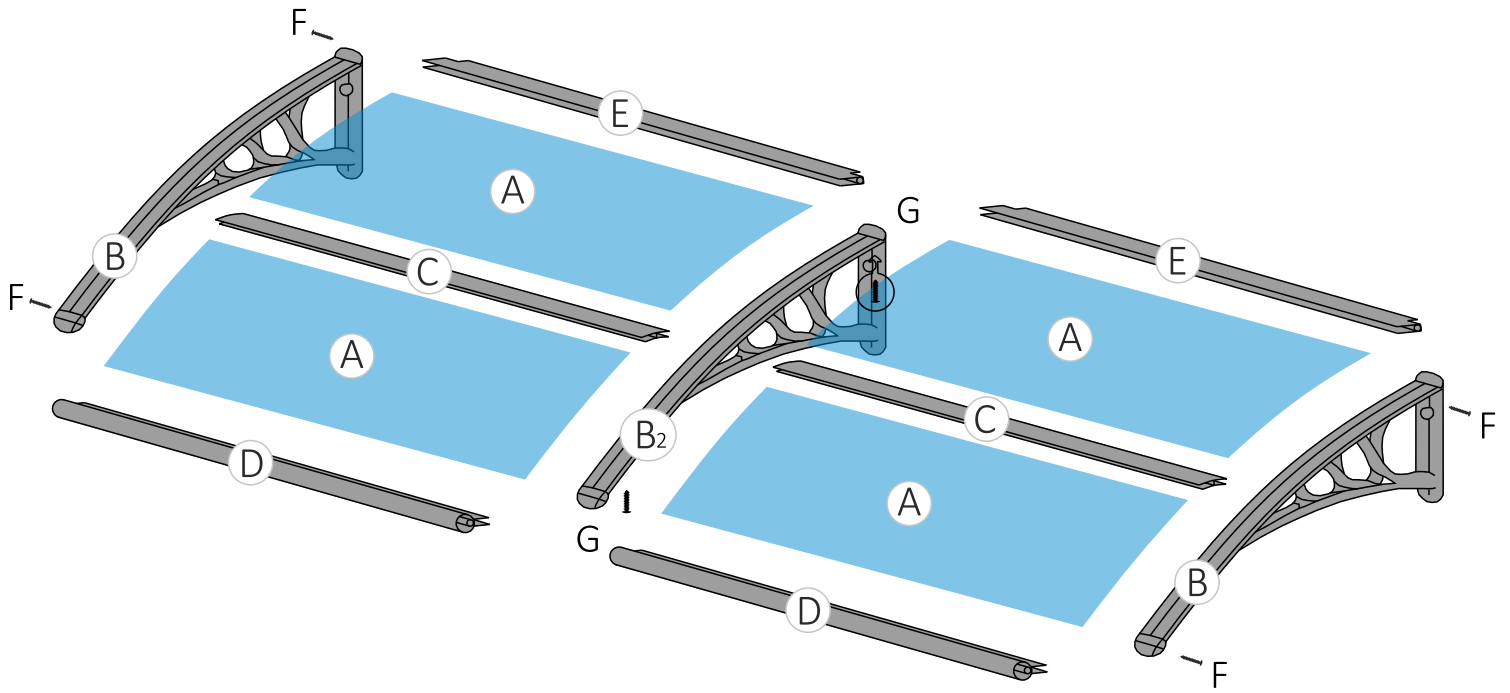



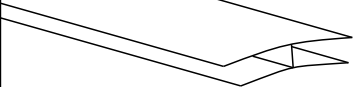

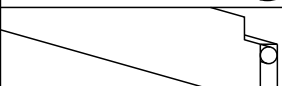



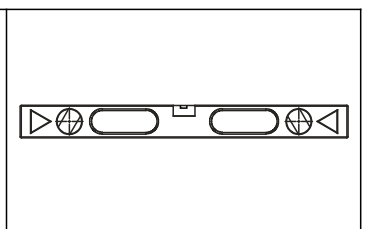
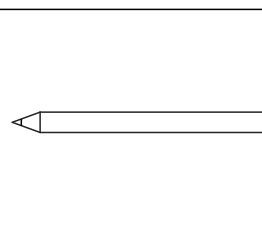
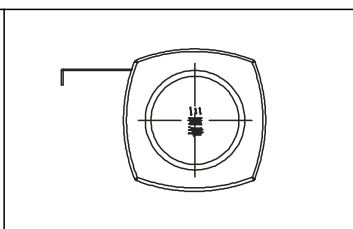
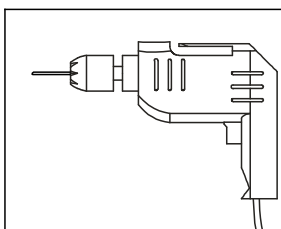


ASSEMBLY INSTRUCTION

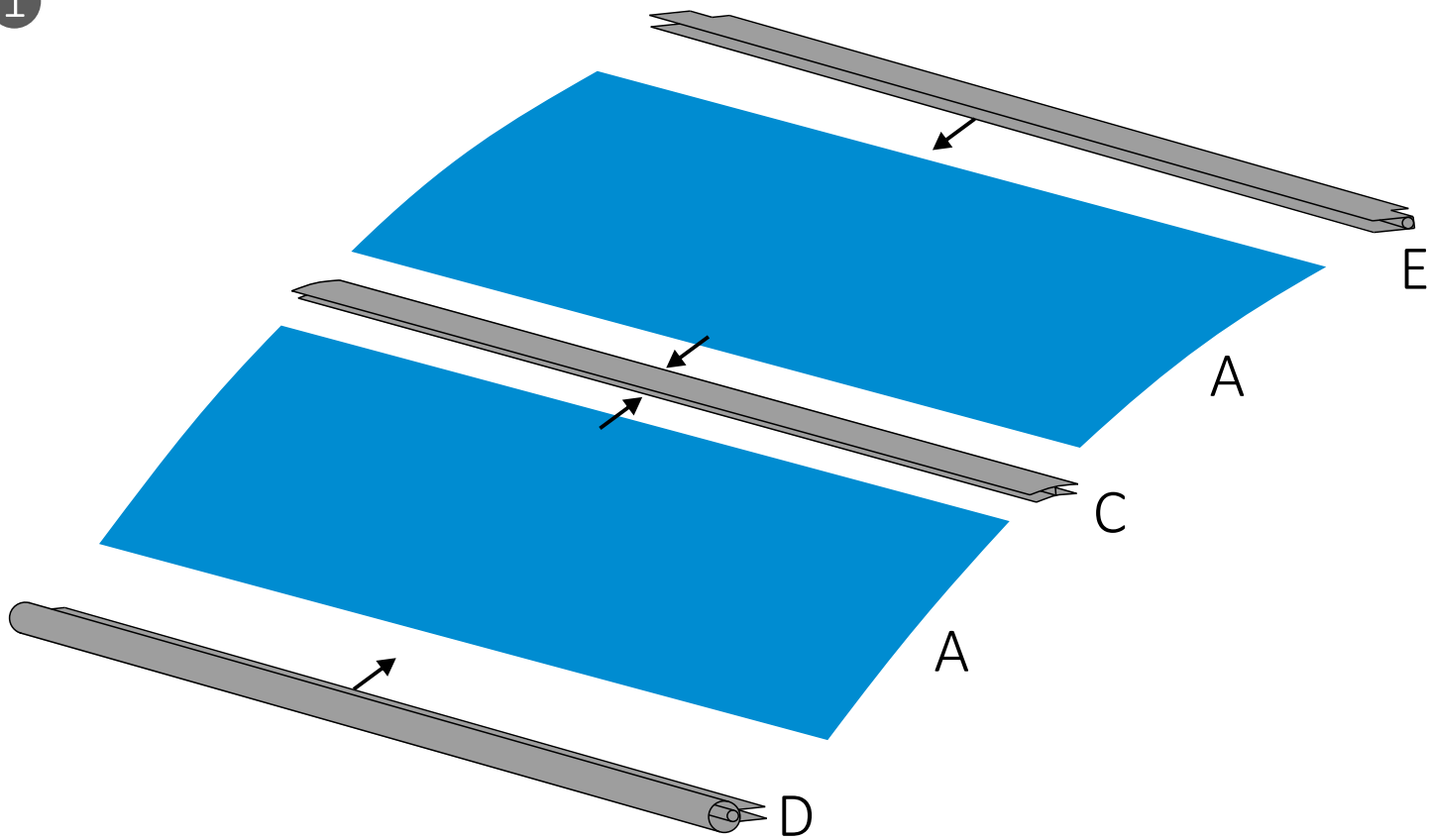
Assembly Instruction



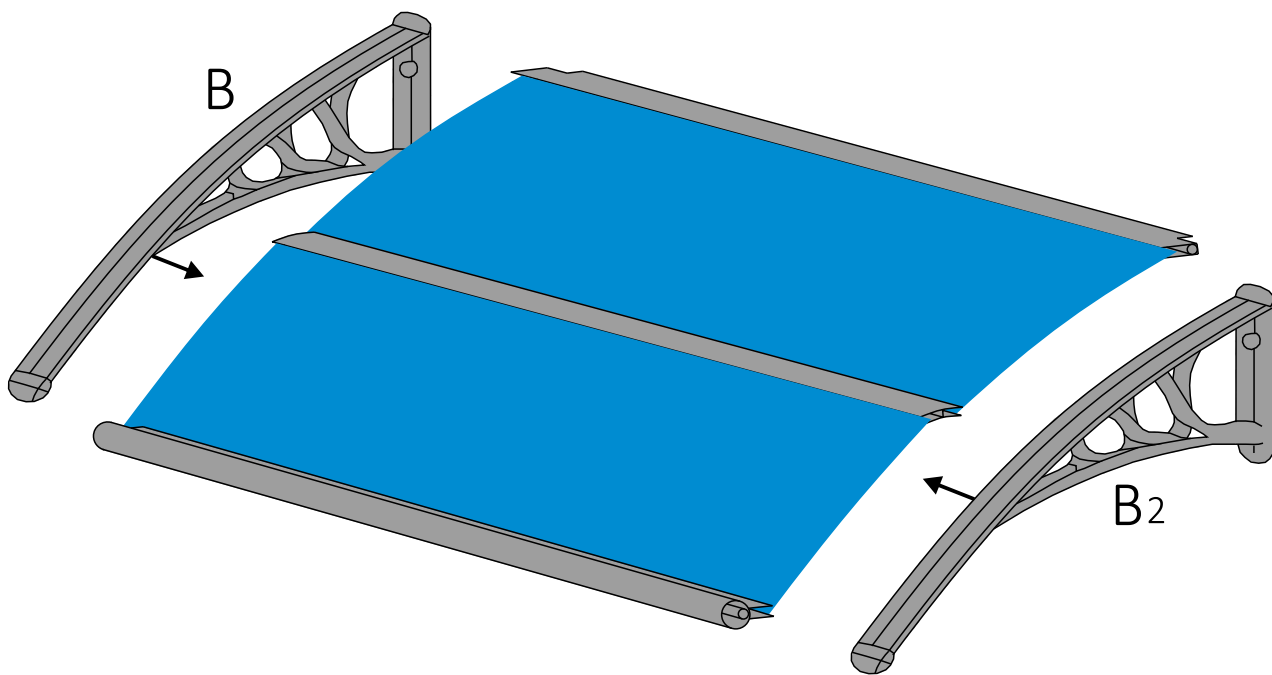
A	4x	PC Board	
B	2x	Bracket	
B ₂	1x	Middle one has holes	
C	2x	H Bar	
D	2x	Front Bar	
E	2x	Back Bar	
F	4x	Screws	
G	4x	Sharp Screws	
H	6x	Screwset	



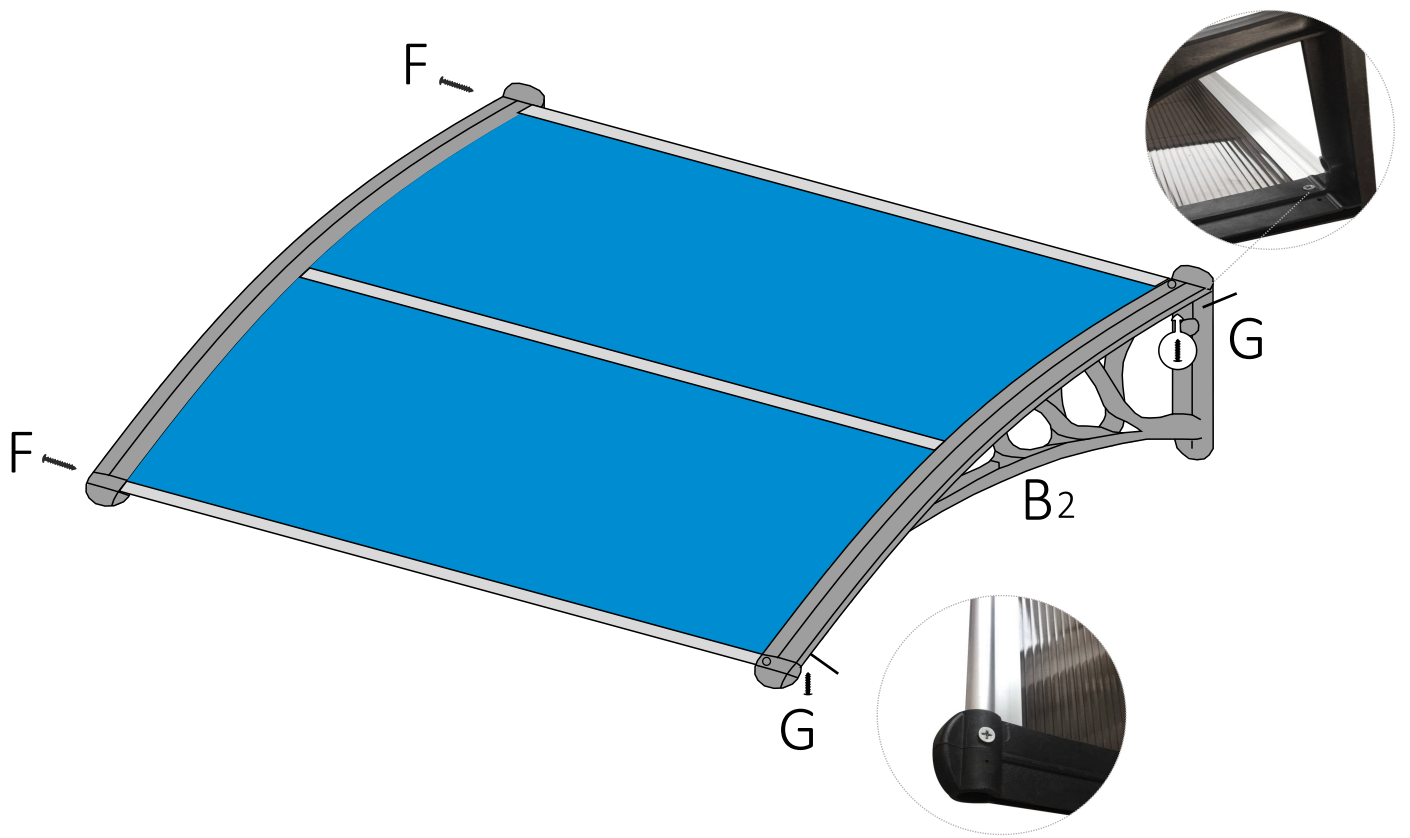
1



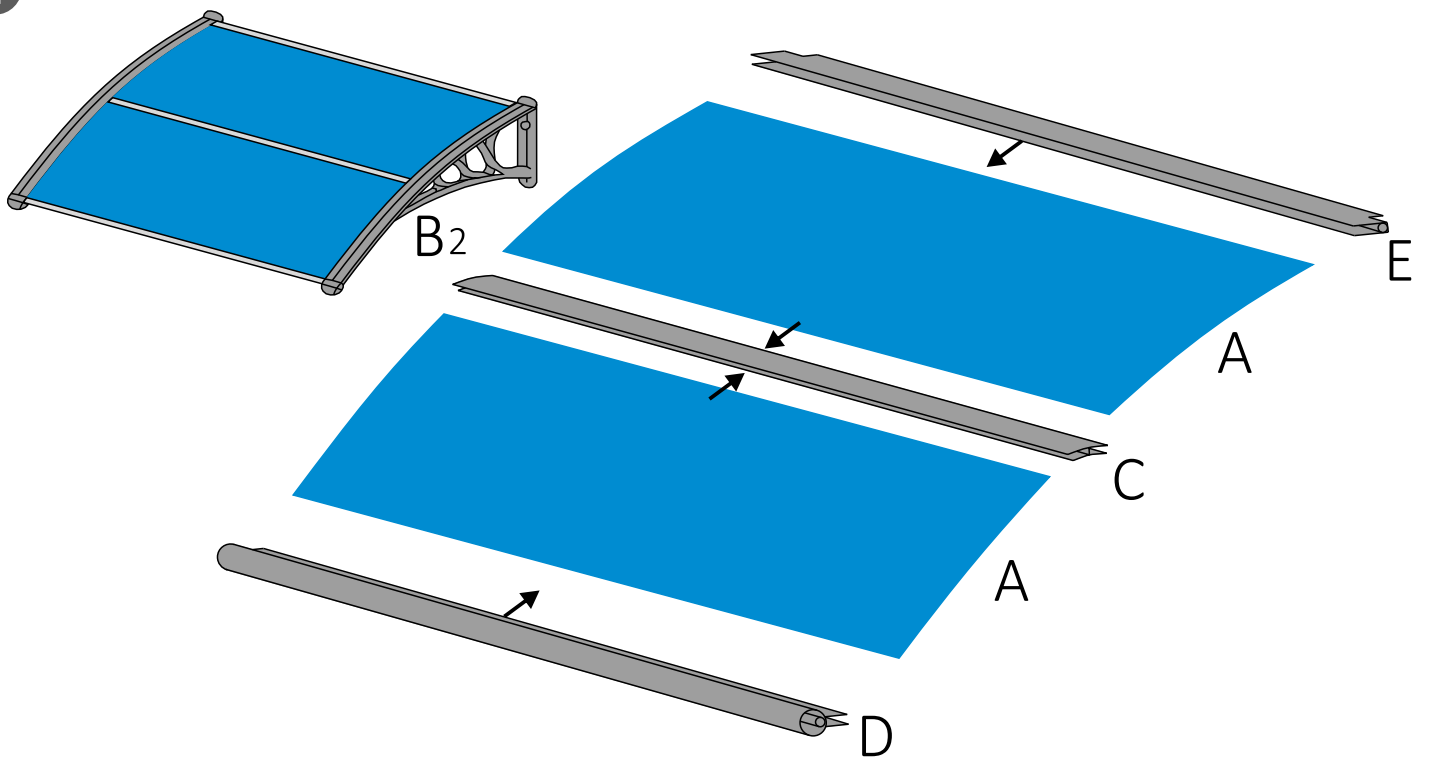
2



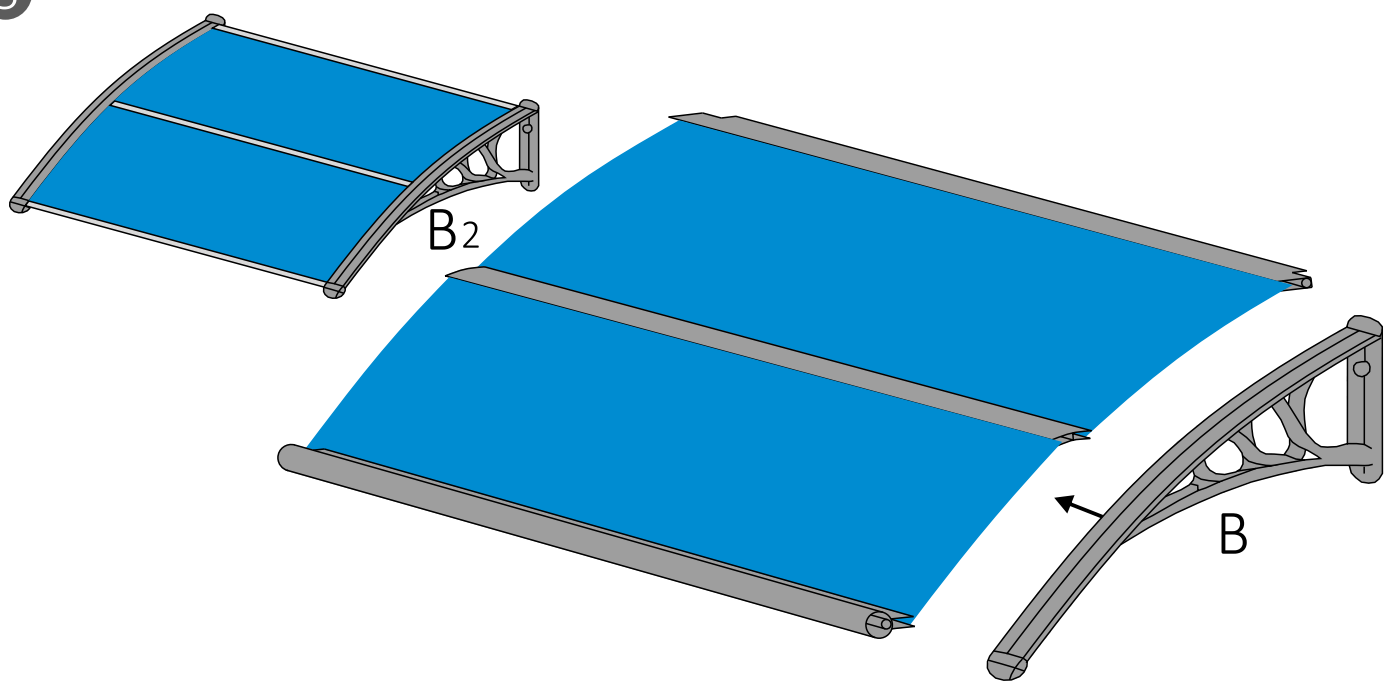
3



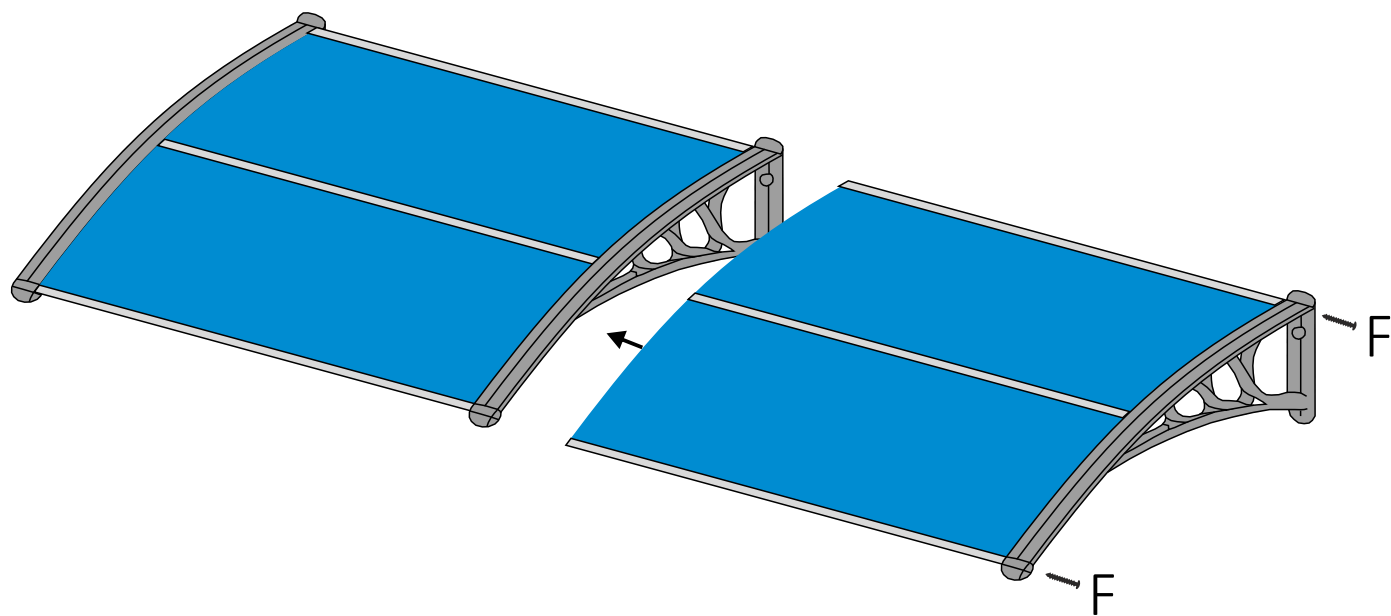
4



5



6



7

