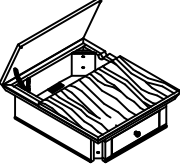
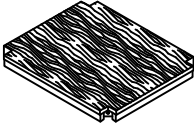






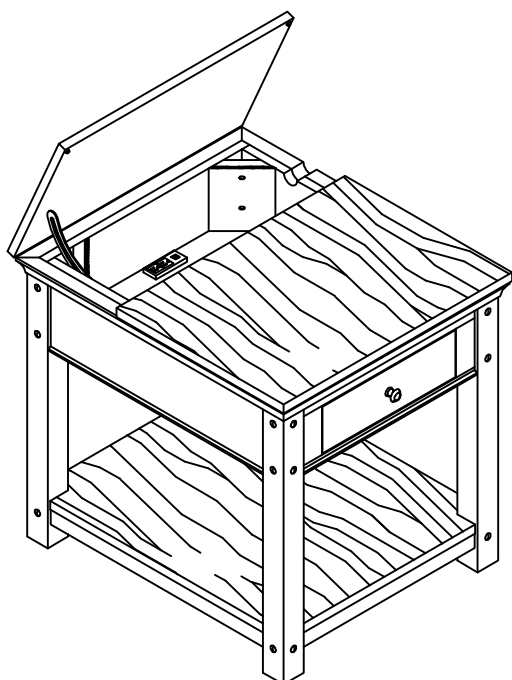


ASSEMBLY INSTRUCTION

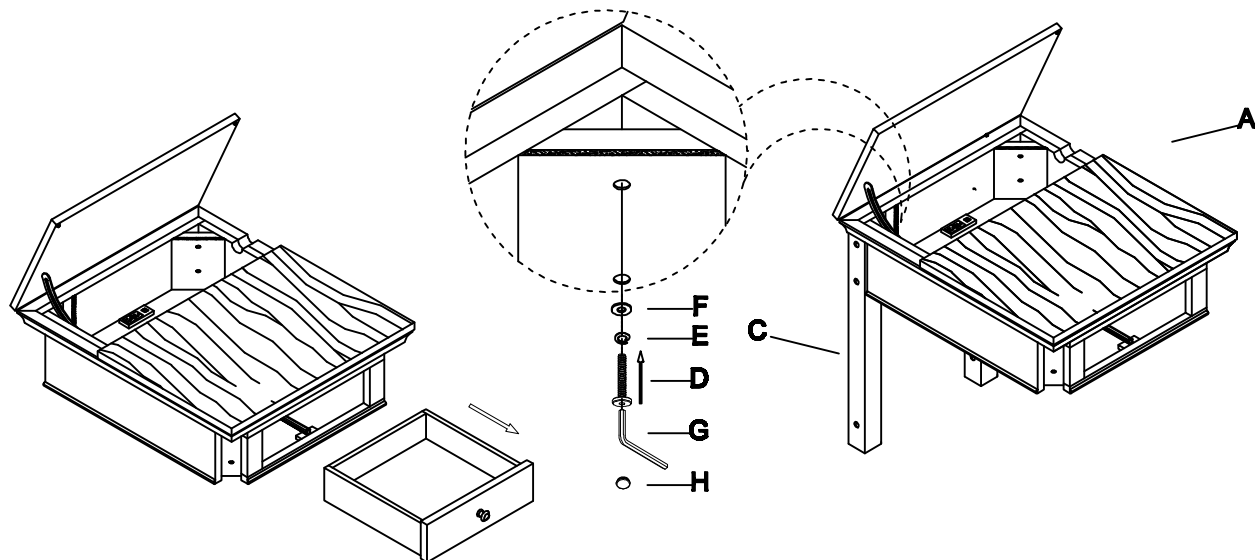
END TABLE

A Top Panel 	B Bottom Shelf 	C Metal Leg 	D Bolt $\phi 1/4" \times 1-3/4"$ 
E Spring Washer $1/4"$ 	F Flat Washer $1/4" \times 16\text{mm}$ 	G Wrench 4mm 	H Plastic Cap 
1PC 12PCS	1PC 12PCS	4PCS 1PC	12PCS 4PCS

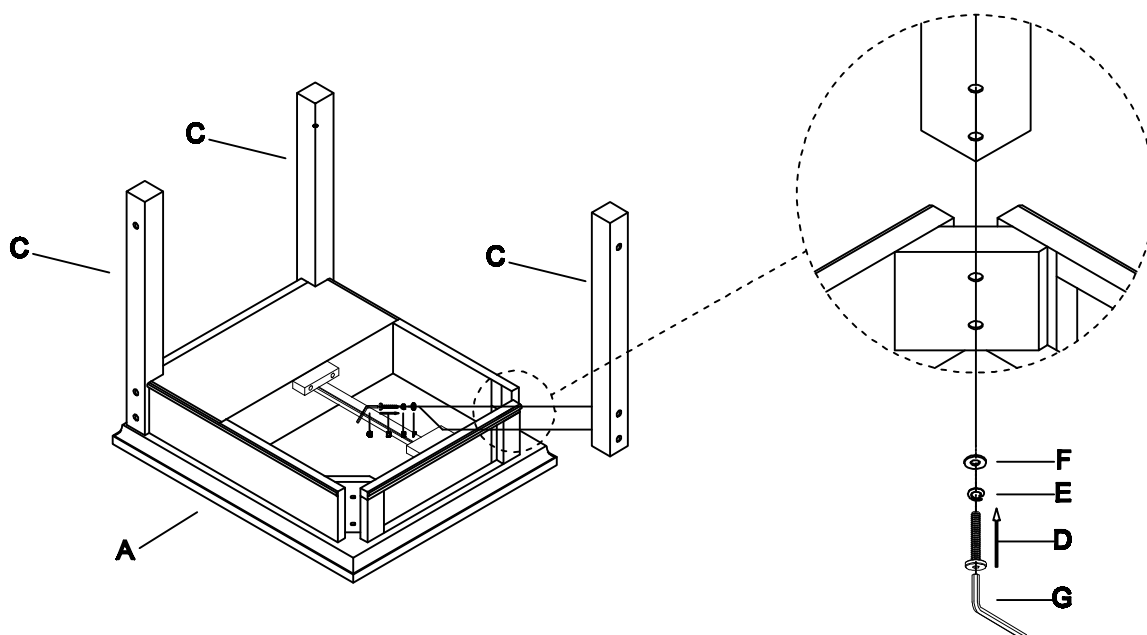


This page lists all the contents included in the box. Please take the time to identify the hardware as well as the individual components to this product. As you unpack and prepare for assembly, place the contents on a carpeted or padded area to protect them from damage.

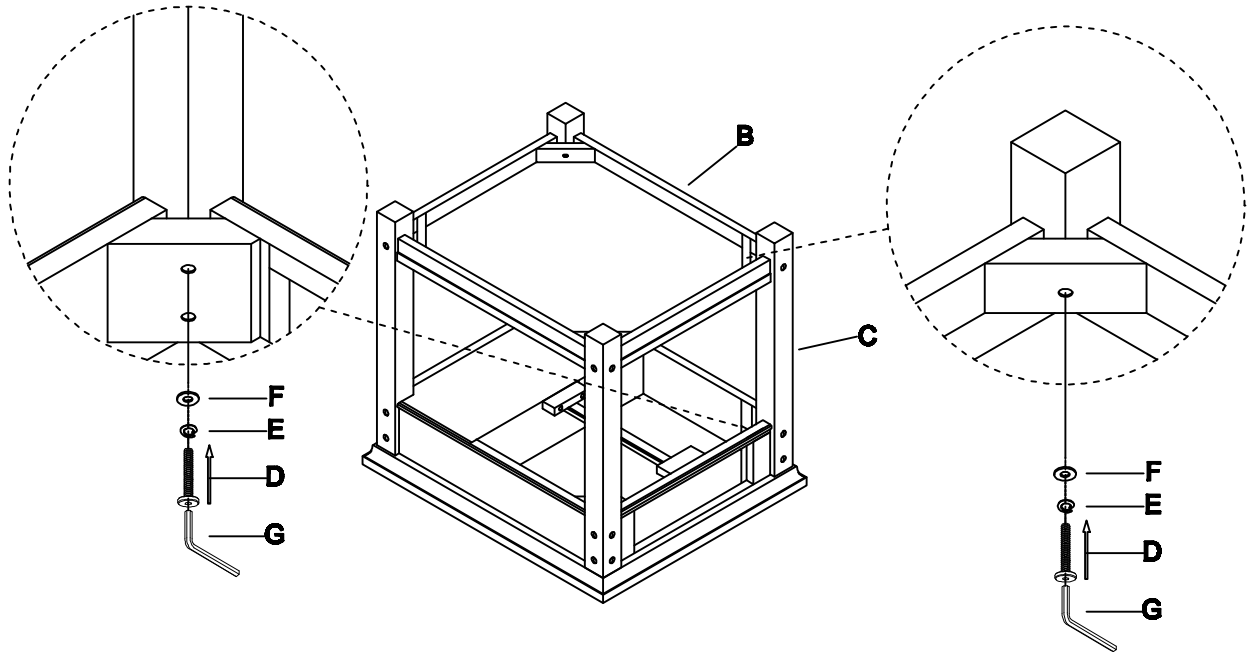
- 1** Pull out the drawer from Top Panel (A). Lift the top, and attach 2pcs Metal Leg (C) to Top Panel (A) using Bolt (D), Spring Washer (E), Flat Washer (F) by Wrench (G), then lid Plastic Cap (H) on it.



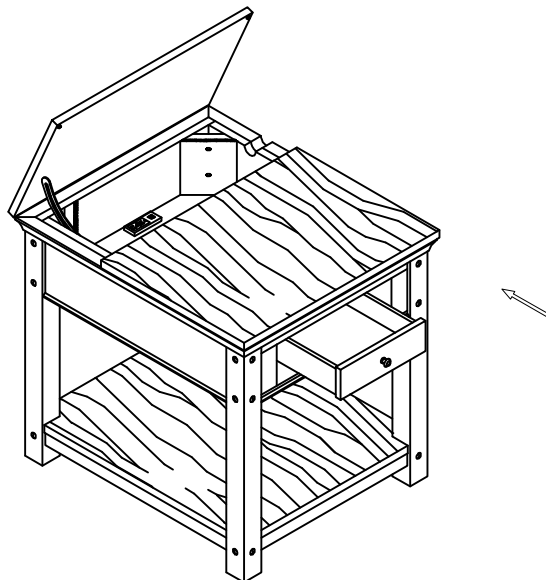
- 2** Turn Top Panel (A) down, and attach the 3rd Metal Leg (C) on it using Bolt (D), Spring Washer (E), Flat Washer (F) by Wrench (G).



- 3** Attach the Bottom Shelf (B) onto the 3pcs Metal Leg (C) using Bolt (D), Spring Washer (E), Flat Washer (F) by Wrench (G). Then attach the 4th Metal Leg (C) to both Bottom Shelf (B) and Top Panel (A) by the same method. Finally lock them up to 100%.



- 4** Turn over the table and put the drawer in.



Cleaning & Care

Treat surface with care. Surface is resistant to scratches but is not scratch resistant. Clean surfaces with a dry or damp soft cloth. Do not use abrasive cleaners. Hardware may loosen over time. Periodically check that all connections are tight.