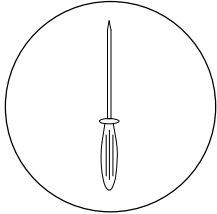
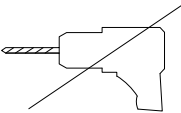
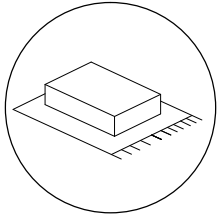
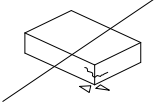
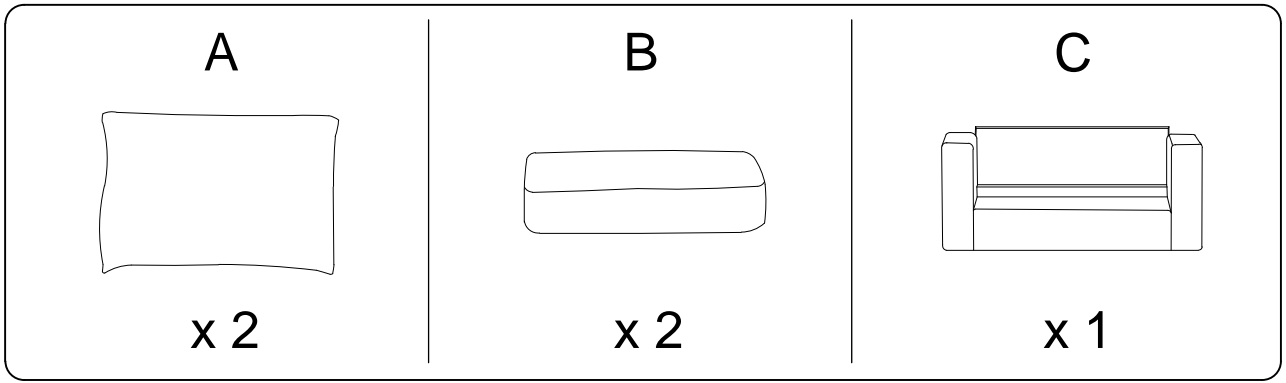


!   15'

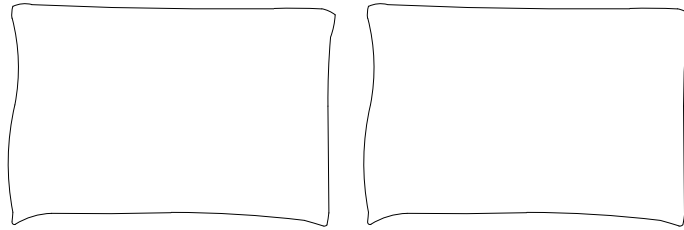
A rectangular box containing icons for tools. On the left, a screwdriver is shown inside a circle. On the right, a power drill is shown with a diagonal slash through it. To the right of the box is a warning triangle with an exclamation mark. Further right is a clock icon with the number '15'' below it.

!   1

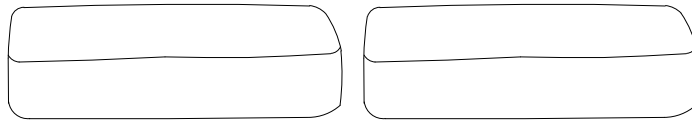
A rectangular box containing icons for furniture placement. On the left, a cushion is shown on a floor mat inside a circle. On the right, a cushion is shown on a chair with a diagonal slash through it. To the right of the box is a warning triangle with an exclamation mark. Further right is a stick figure icon with the number '1' below it.



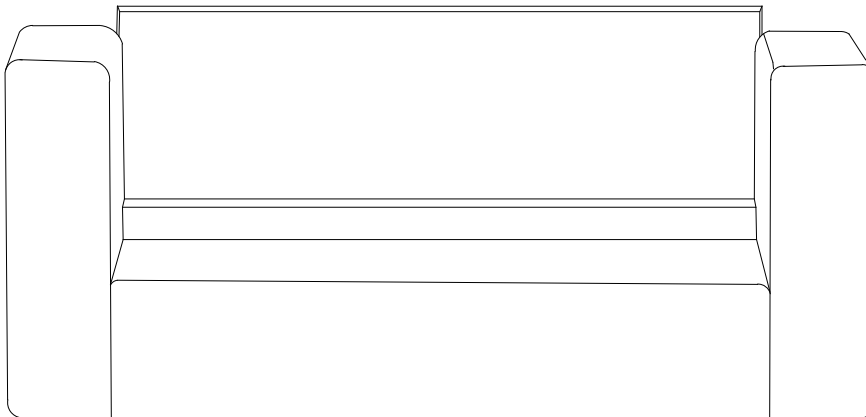
A x 2



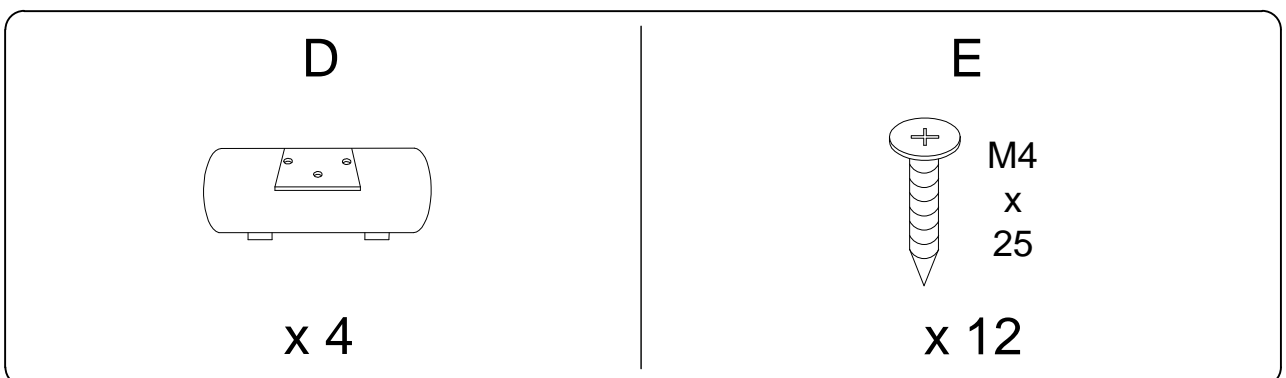
B x 2



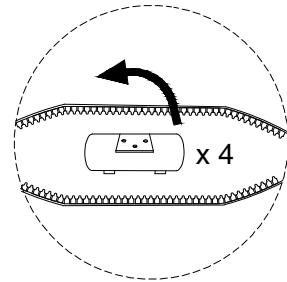
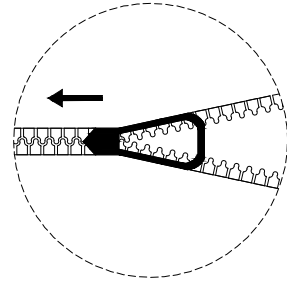
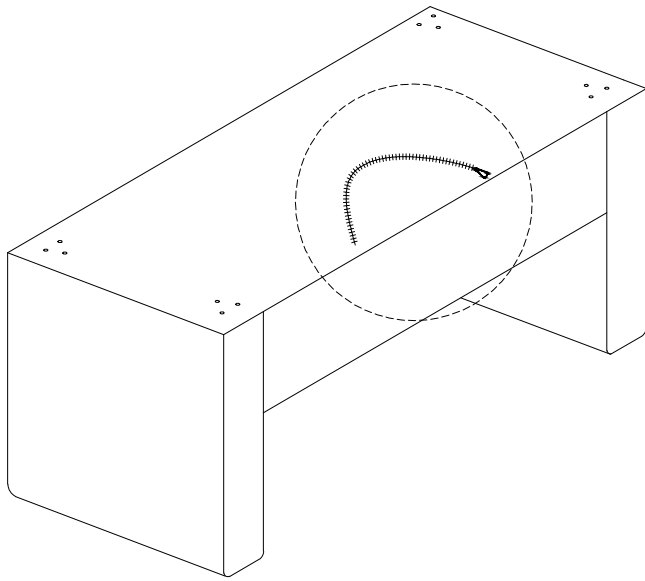
C



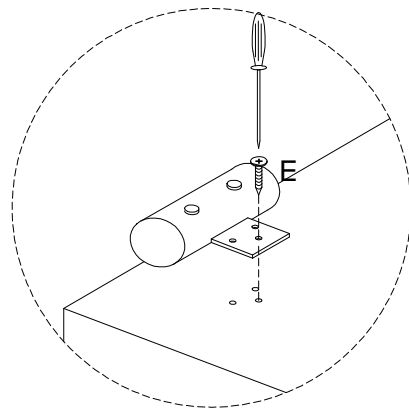
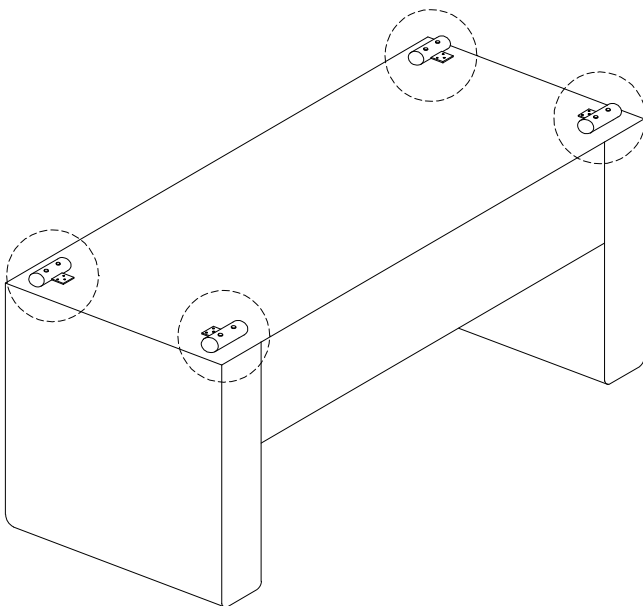
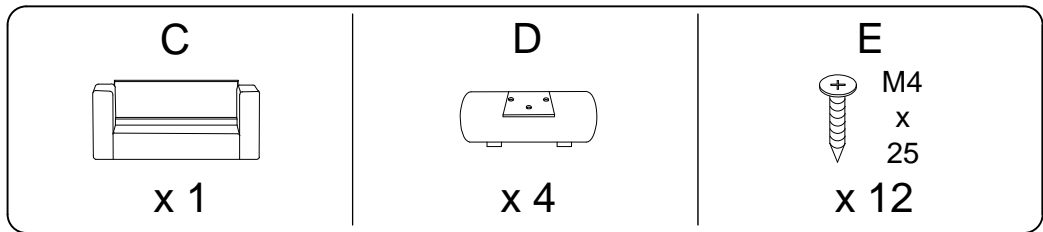
D x 4



1



2



3

