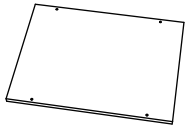


# Instruction

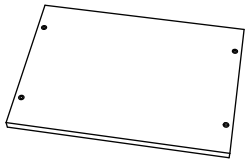
## Parts List

A:(Small)



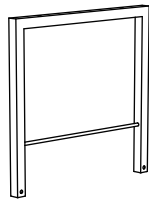
X3

B:(Big)



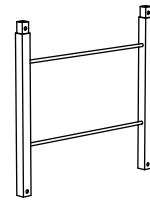
X1

C



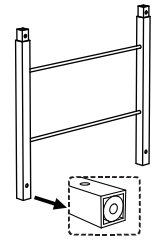
X2

D



X2

E



X2

F



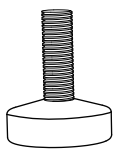
X6

G



X4

H



X4

I



X1

J (Short screw)



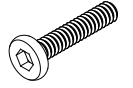
X4

K



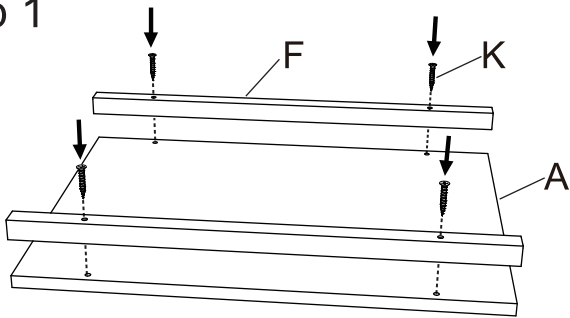
X12

L (Long screw)

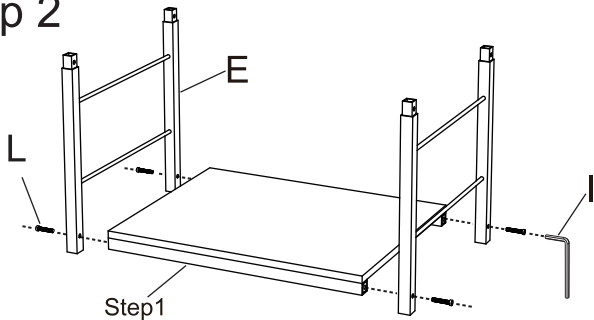


X12

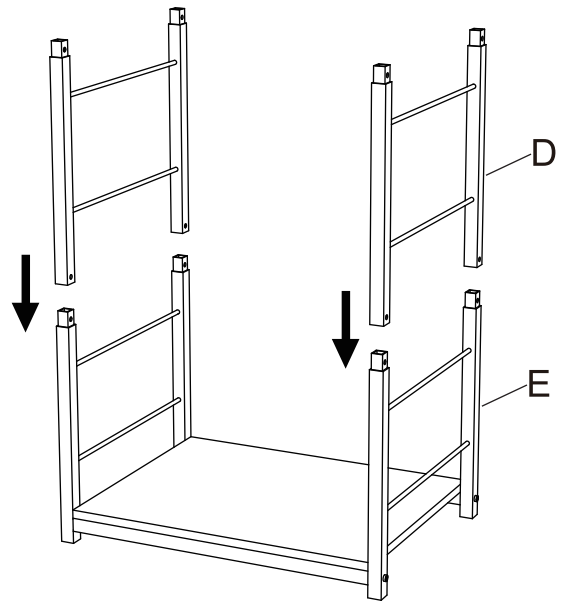
## Step 1



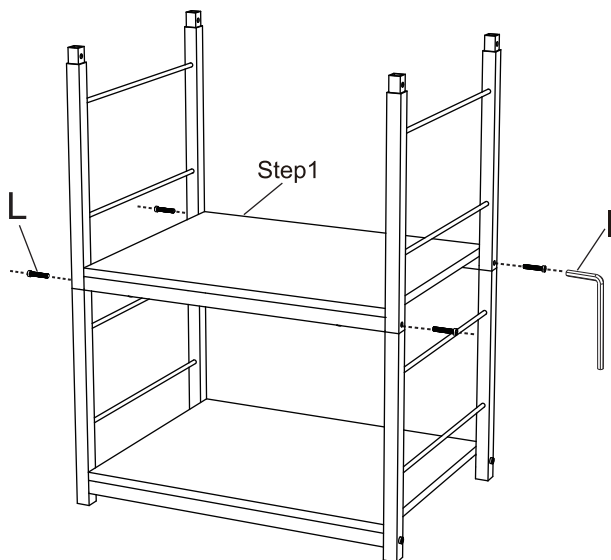
## Step 2



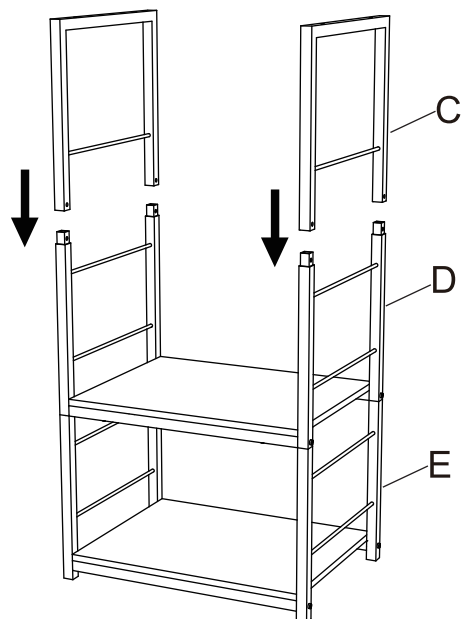
## Step 3



## Step 4

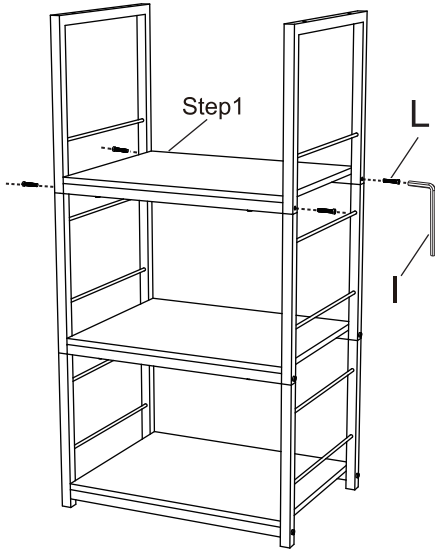


## Step 5

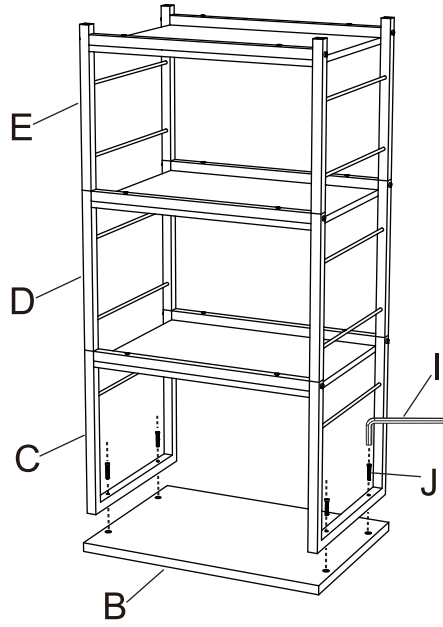


# Instruction

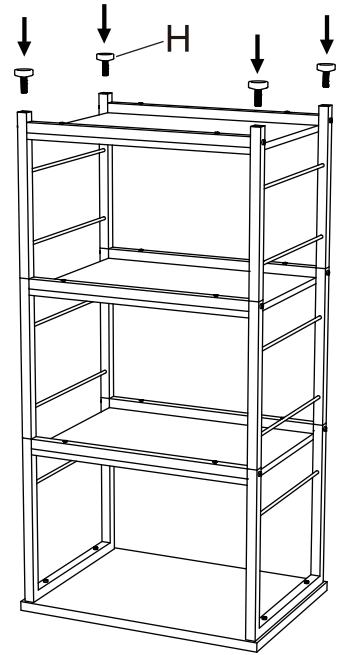
## Step 6



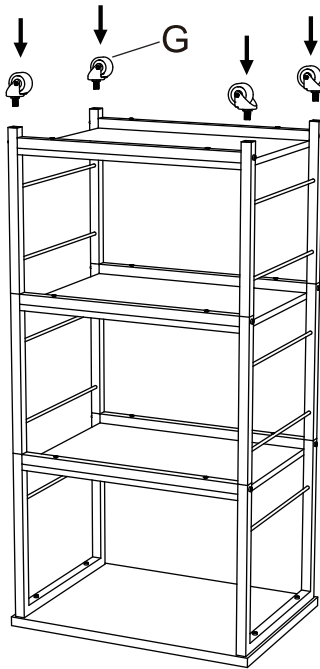
## Step 7



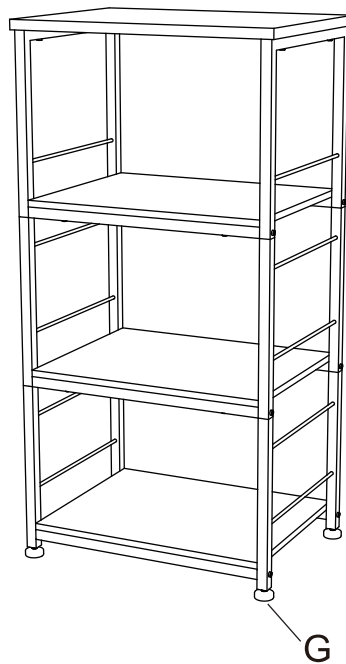
## Mode 1



## Mode 2



## Exhibition



or

