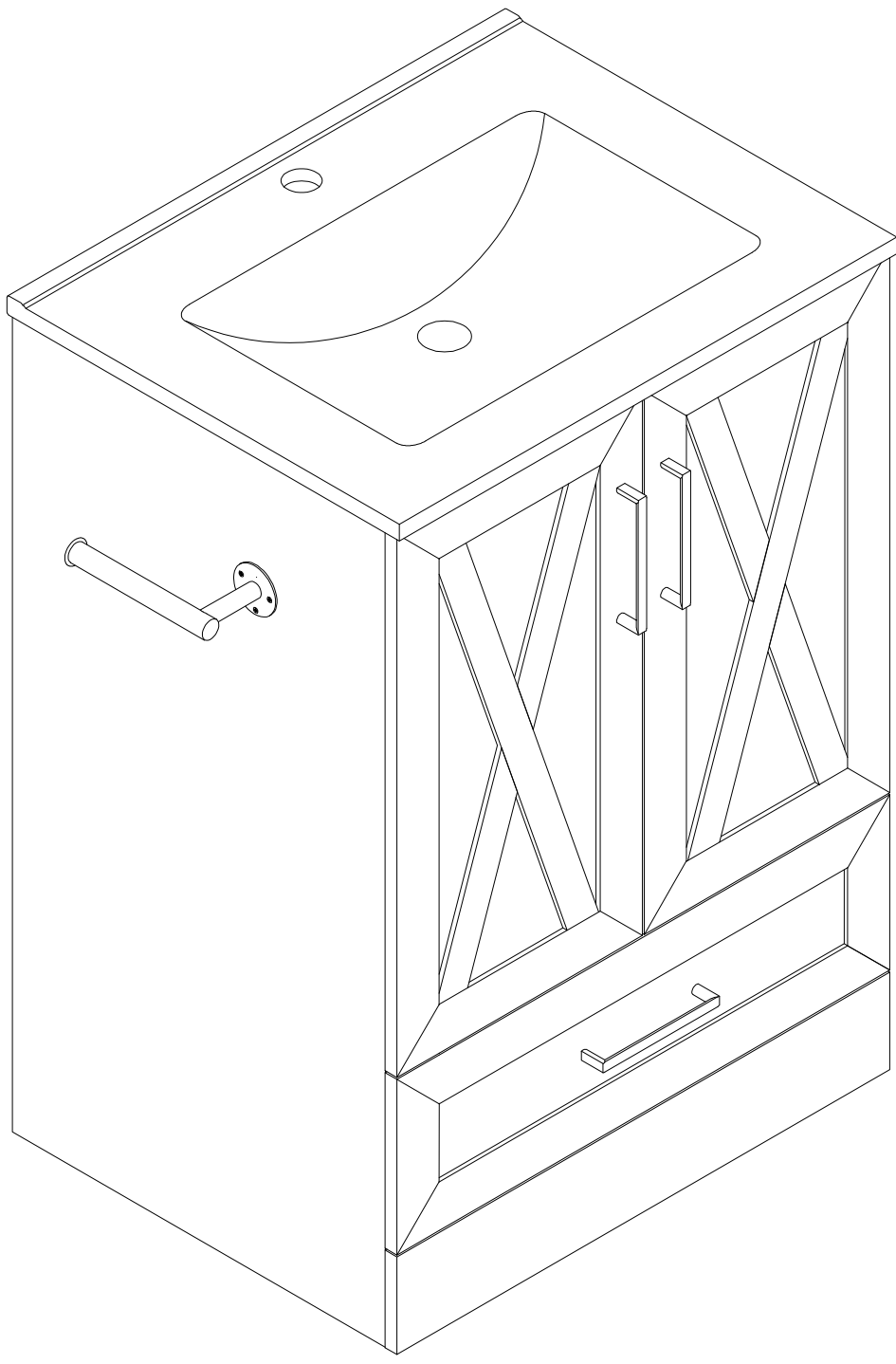
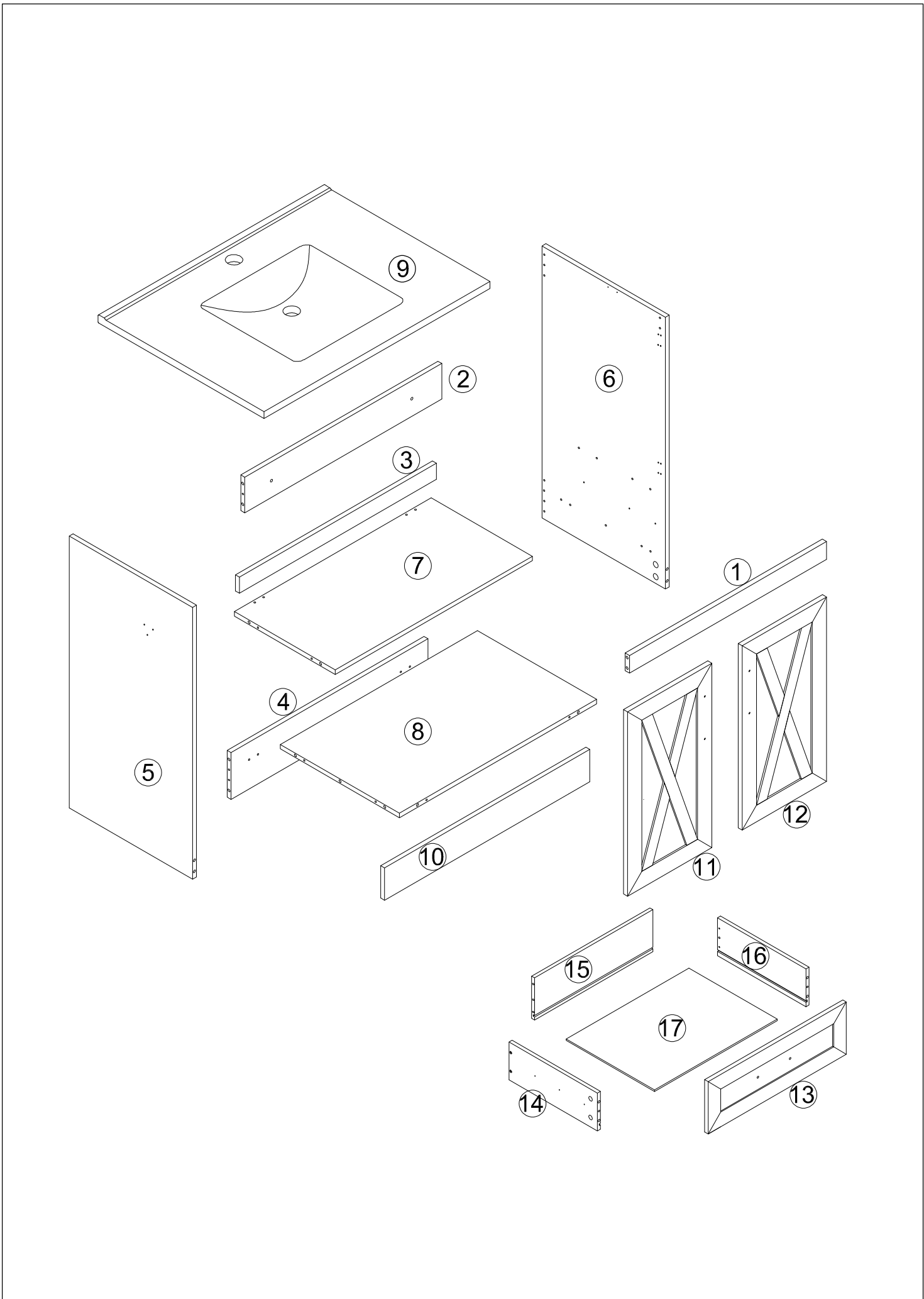
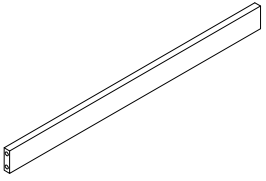
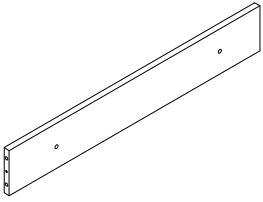
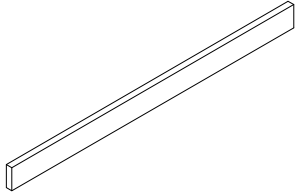
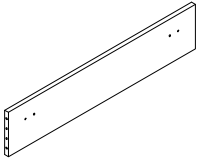
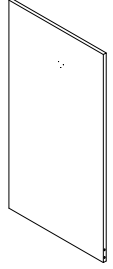
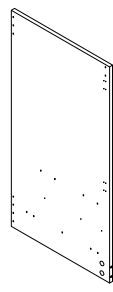
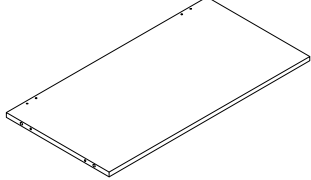
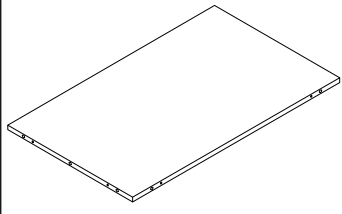
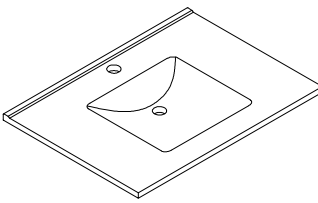
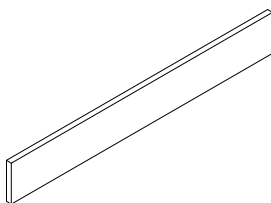
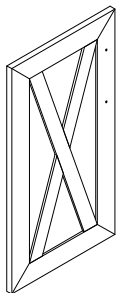
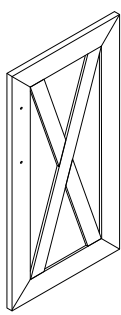
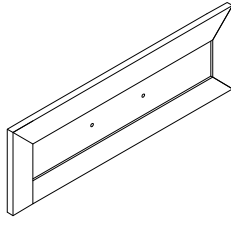
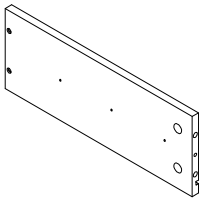
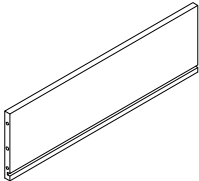
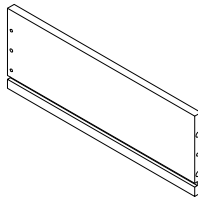
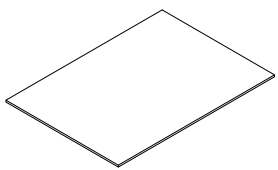


V-CB25-0819




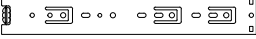
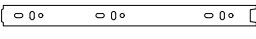






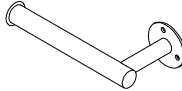
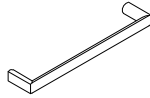
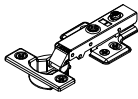
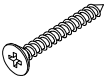

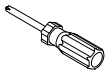
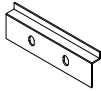





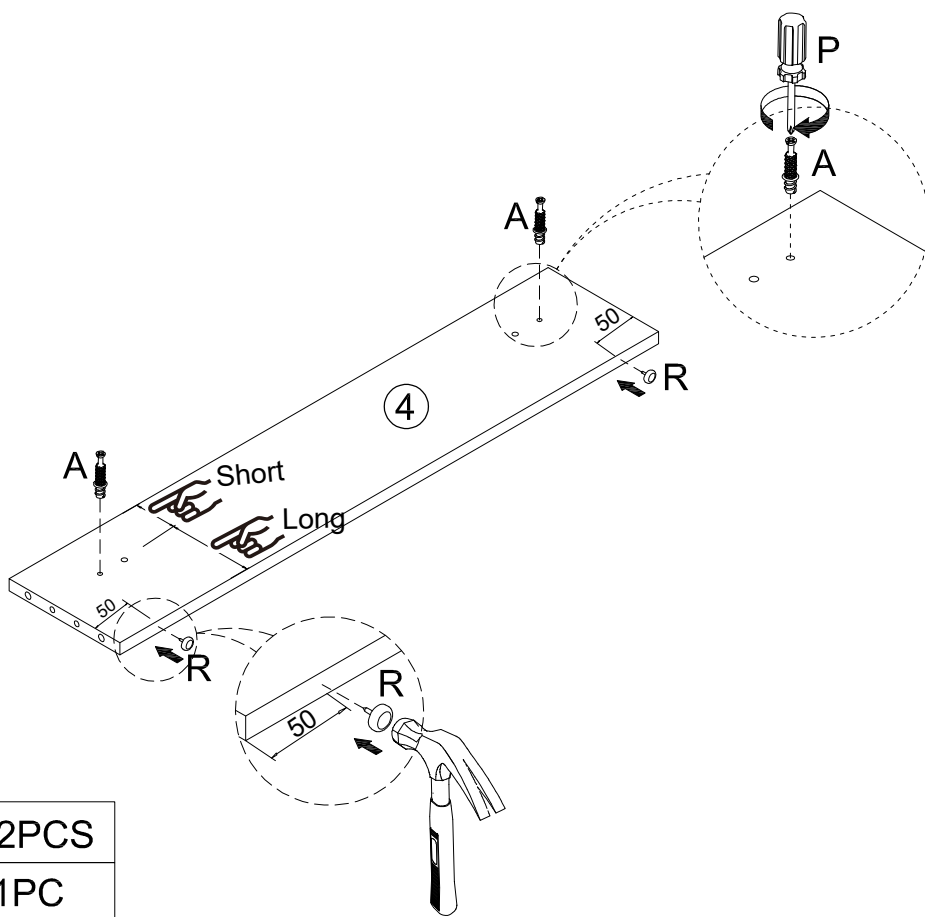
# PARTS:


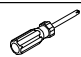

<p>① x1</p> 	<p>② x1</p> 	<p>③ x1</p> 	<p>④ x1</p> 
<p>⑤ x1</p> 	<p>⑥ x1</p> 	<p>⑦ x1</p> 	<p>⑧ x1</p> 
<p>⑨ x1</p> 	<p>⑩ x1</p> 	<p>⑪ x1</p> 	<p>⑫ x1</p> 
<p>⑬ x1</p> 	<p>⑭ x1</p> 	<p>⑮ x1</p> 	<p>⑯ x1</p> 
<p>⑰ x1</p> 			

# Hardware

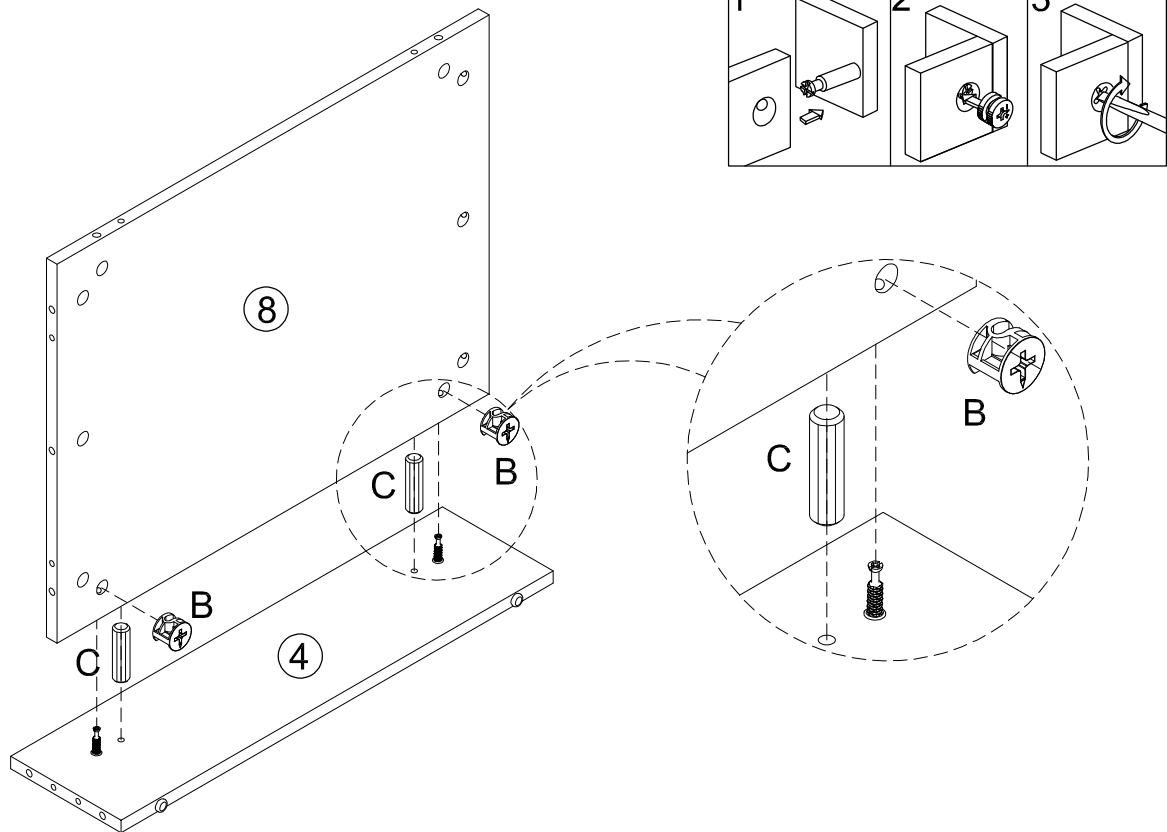
<p>A x36+1</p>  <p>Ø6x34mm</p>	<p>B x36+1</p>  <p>Ø15x9.5mm</p>	<p>C x24+1</p>  <p>Ø6x30mm</p>	<p>D x1SET</p> <p>D2 </p> <p>D1 </p> <p>12"x45mm</p>
<p>E x4</p>  <p>Ø8x35mm</p>	<p>F x4</p>  <p>5/32"x19mm</p>	<p>G x2</p>  <p>5/32"x10mm</p>	<p>H x24+1</p>  <p>Ø8x15mm</p>
<p>I x12</p>  <p>Ø4X10mm</p>	<p>J x7</p>  <p>Ø8x12mm</p>	<p>K x1</p> 	<p>L x3</p> 
<p>M x4</p>  <p>Ø35mm</p>	<p>N x2</p>  <p>Ø8x50mm</p>	<p>O x2</p>  <p>Ø8x40mm</p>	<p>P x1</p> 
<p>Q x2</p> 	<p>R x4</p>  <p>Ø13x4mm</p>		



1



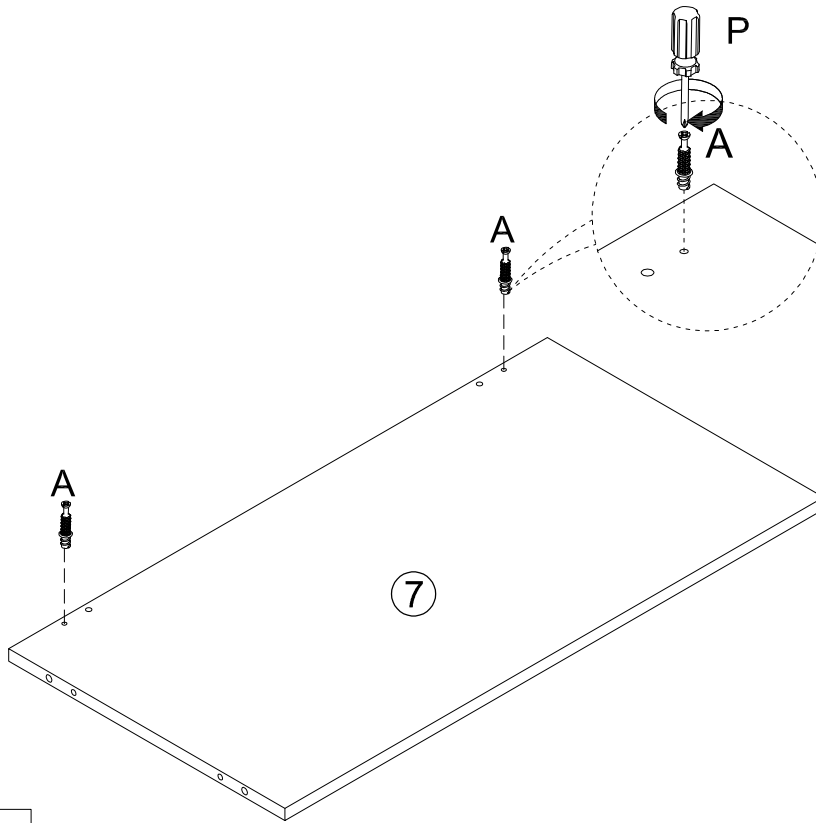
-  A. x2PCS
-  P. x1PC
-  R. x2PCS


2



-  B. x2PCS
-  C. x2PCS

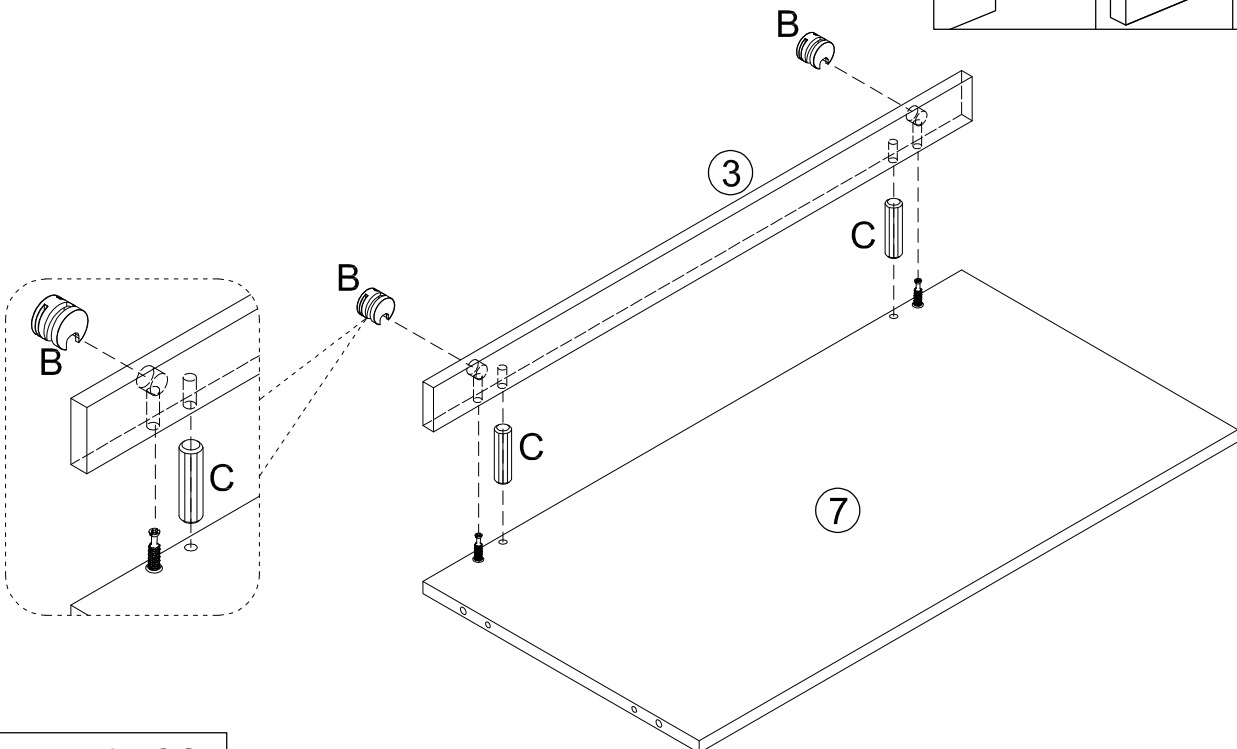
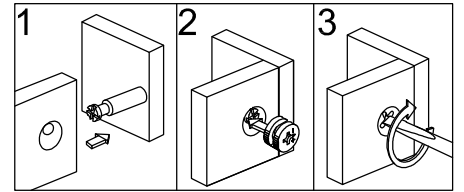
3




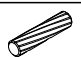
 A. x2PCS

 P. x1PC

4



 B. x2PCS

 C. x2PCS

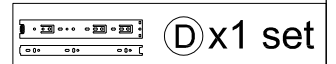
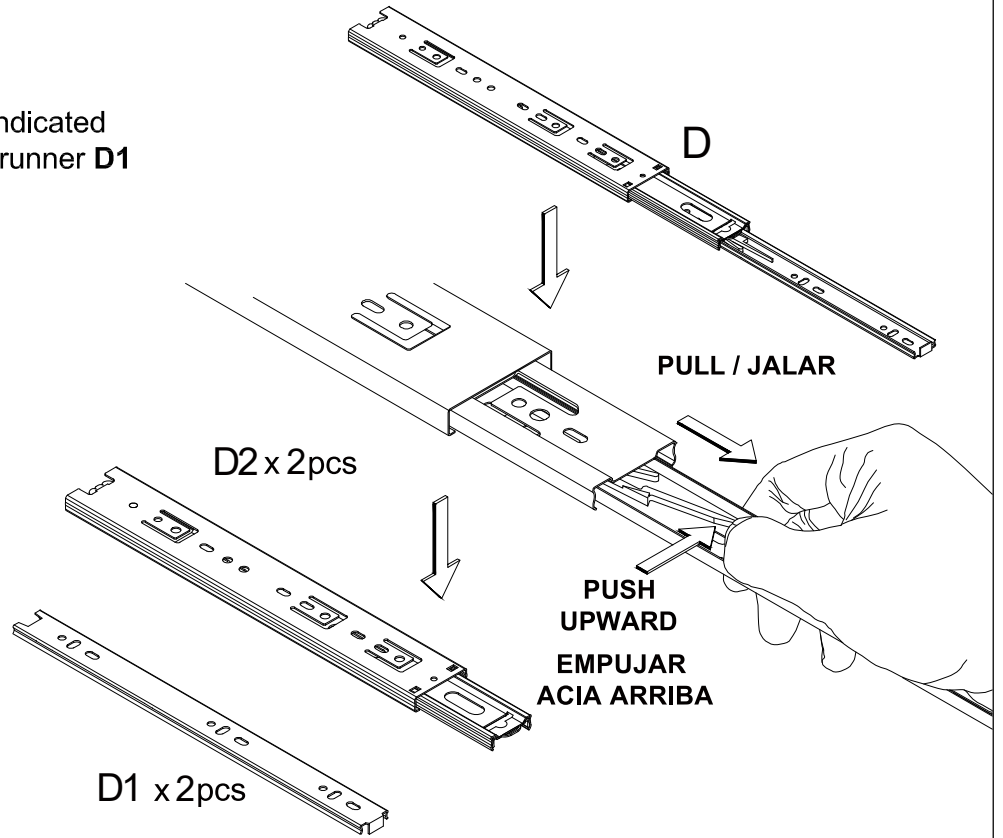
5

**INSTALLATION STEPS**

Press the plastic part in the indicated direction to separate drawer runner **D1** and **D2** before assembling.

**REMARK:**

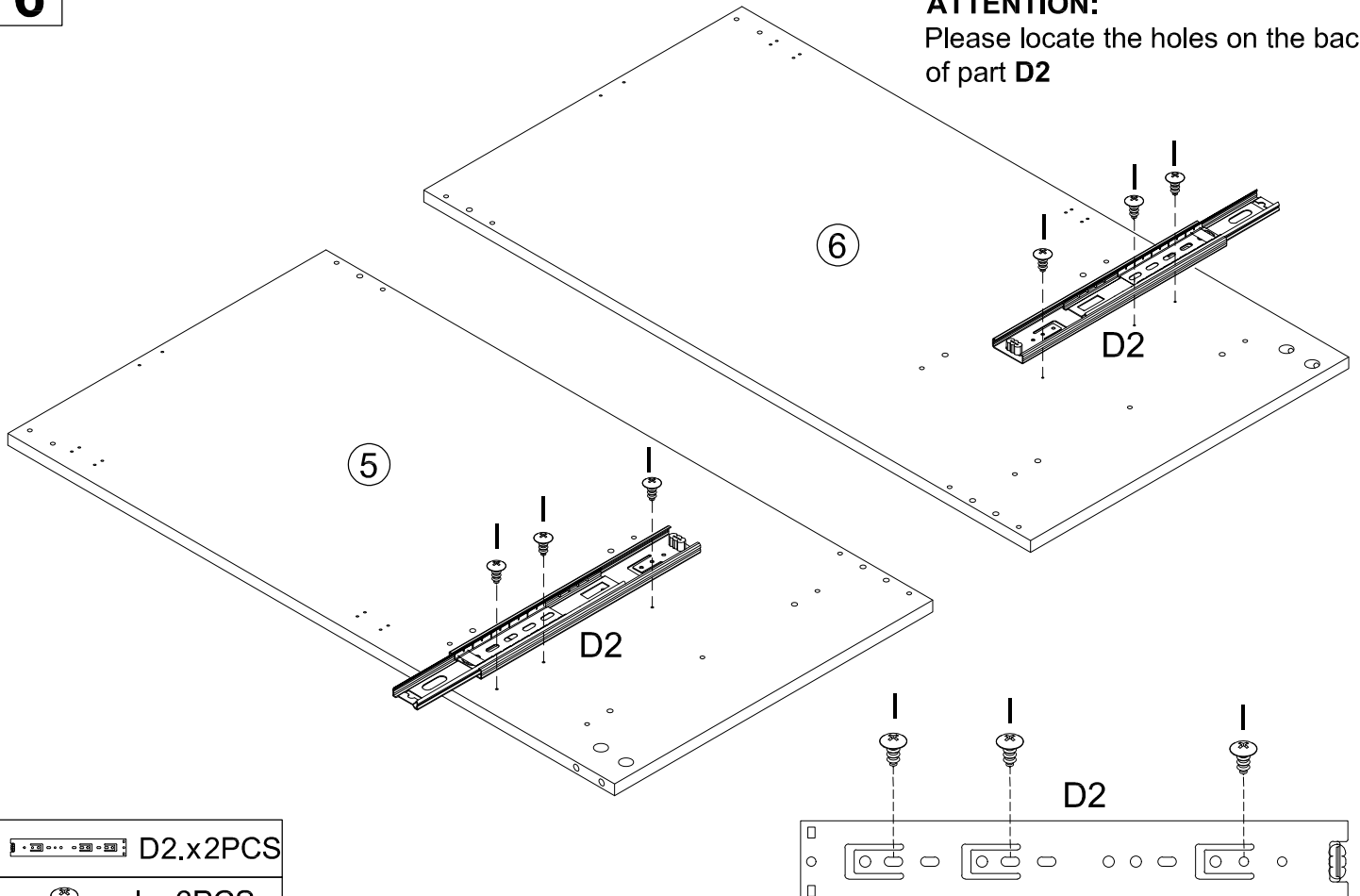
Please grip the **D1** part while sliding the **D2** part



6

**ATTENTION:**

Please locate the holes on the back of part **D2**

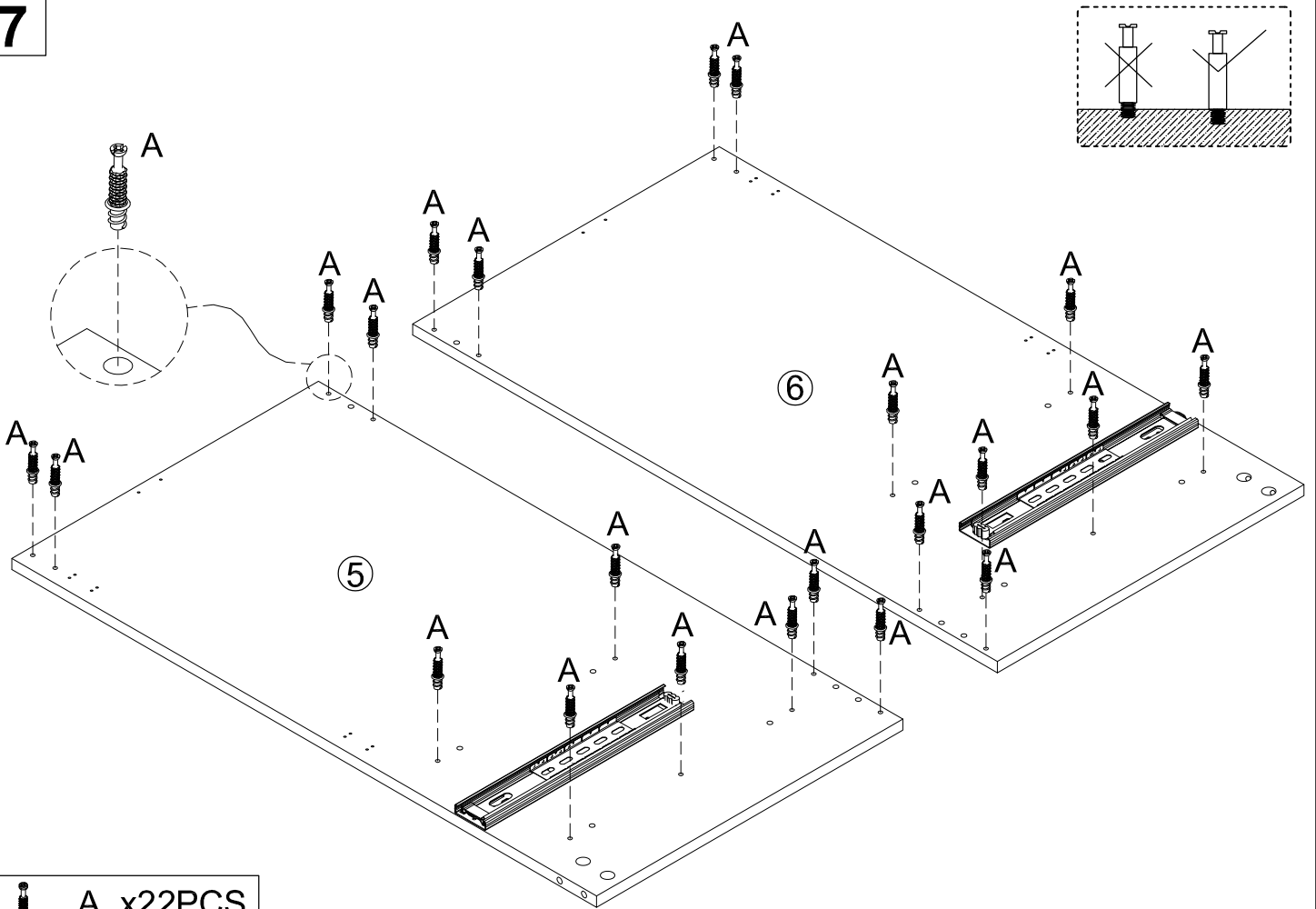


D2.x2PCS



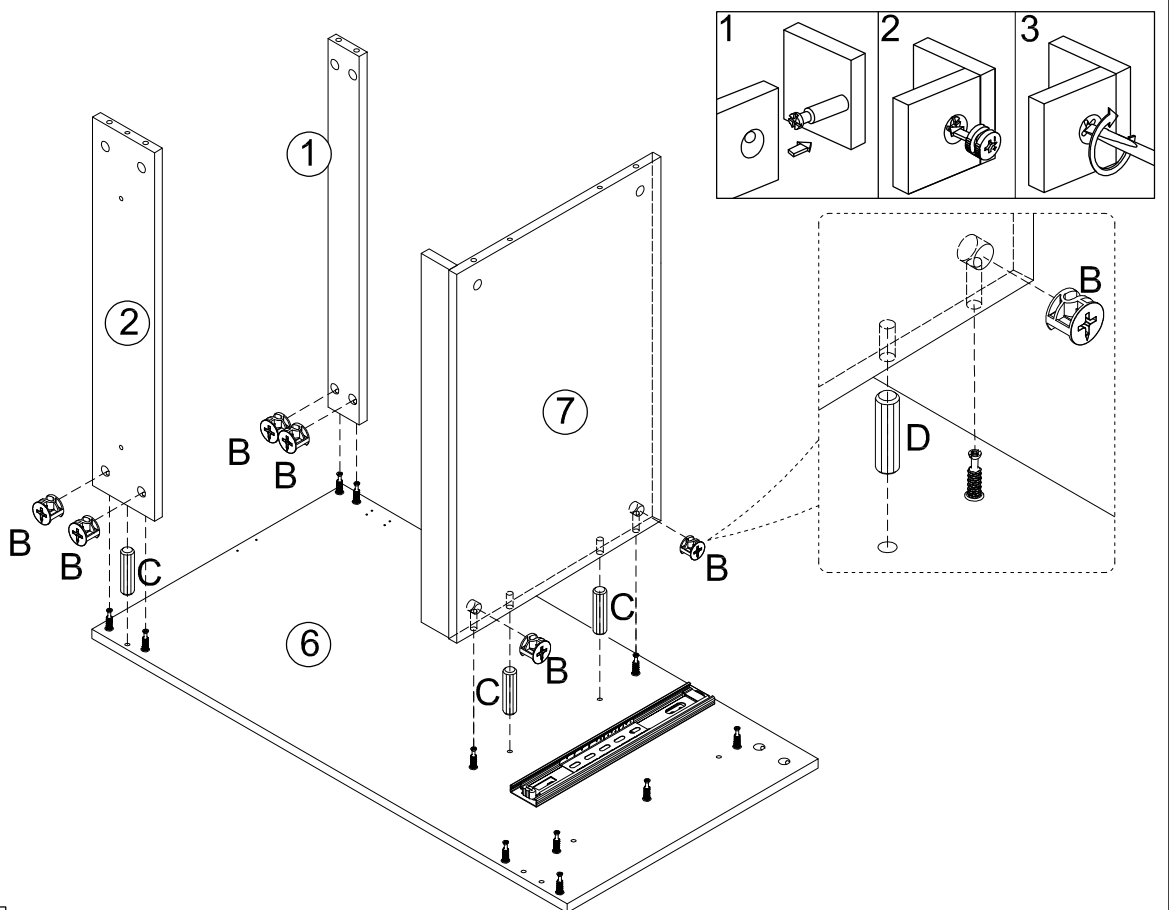
I. x6PCS

7



A x22PCS

8

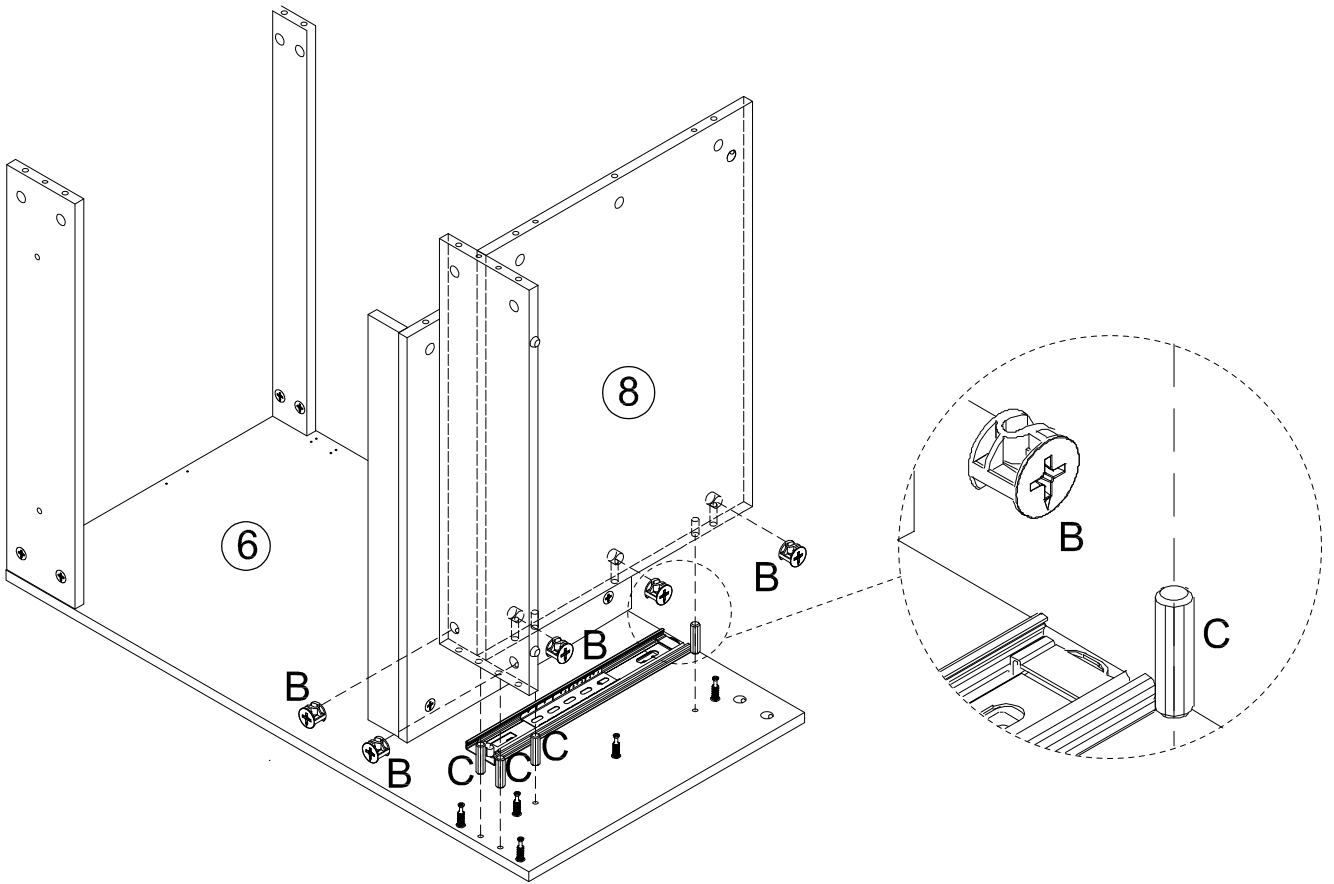
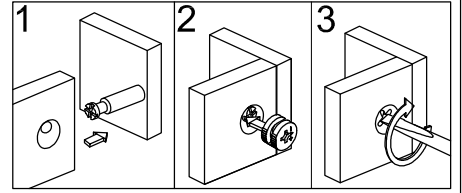


B. x6PCS



C. x3PCS

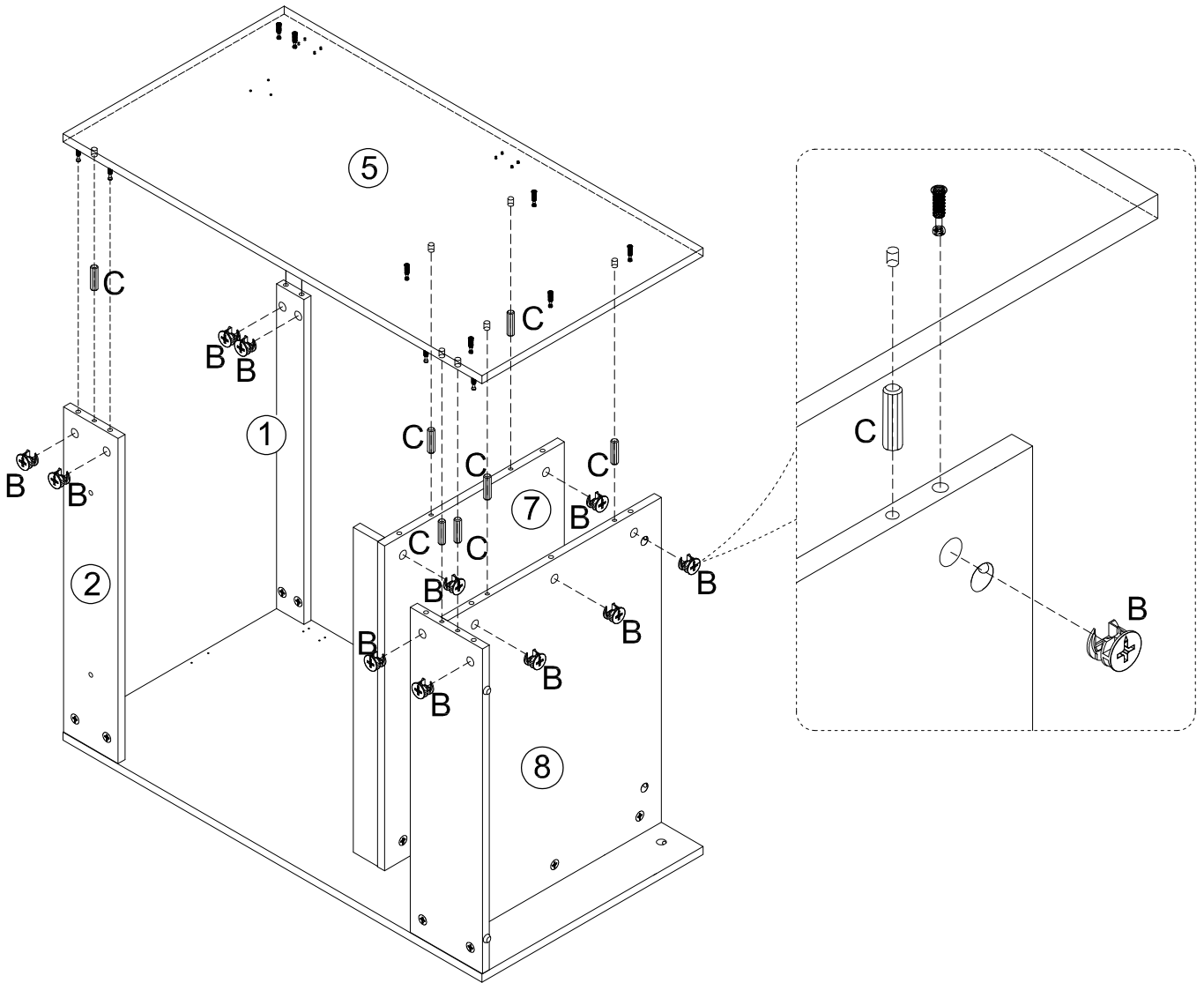
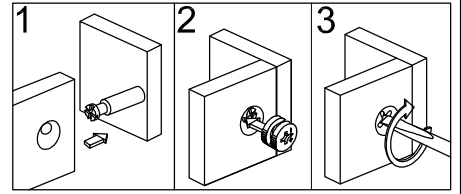
9





B. x5PCS

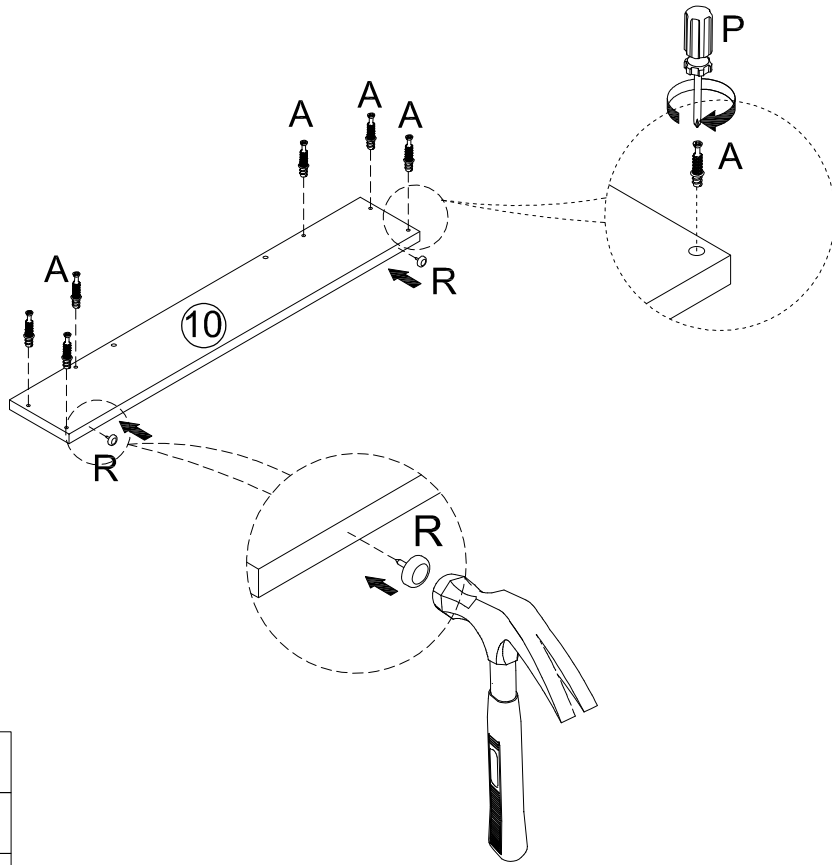



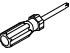

C. x4PCS



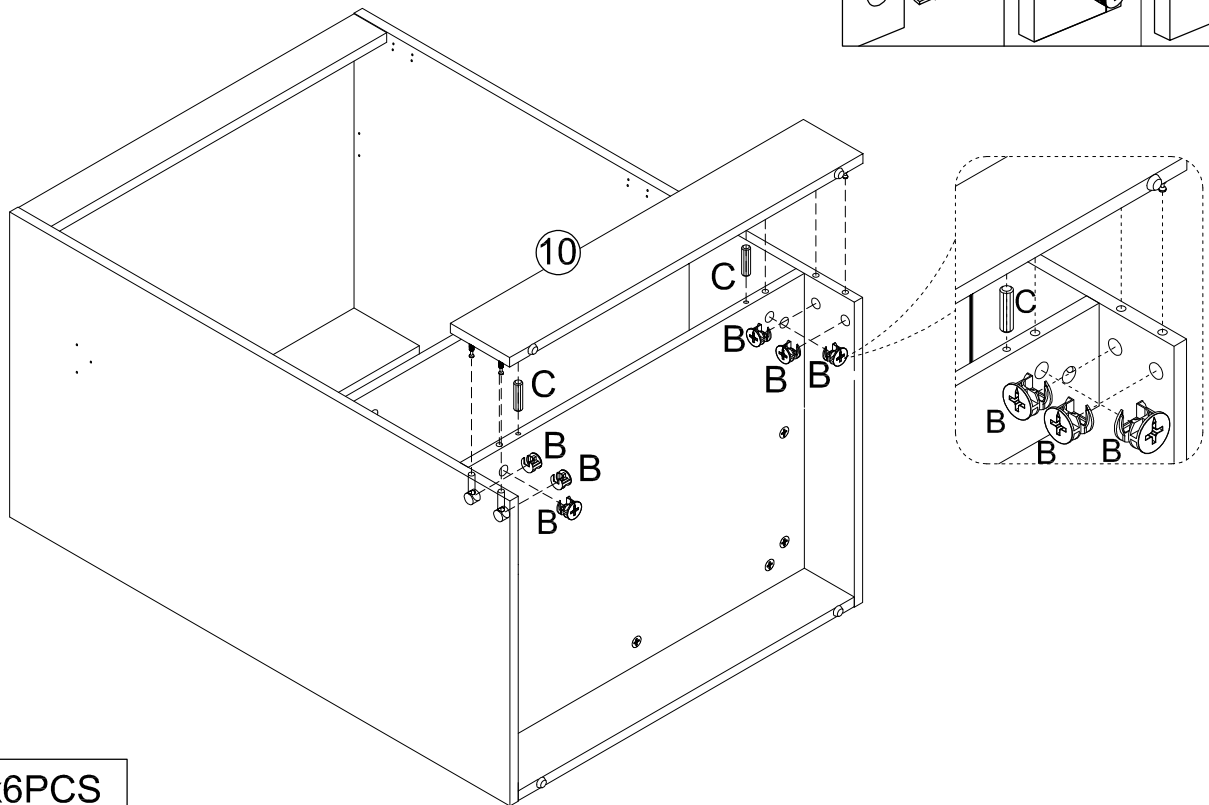
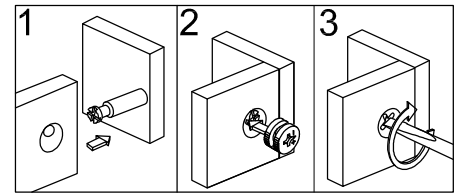
-  B. x11PCS
-  C. x7PCS



11



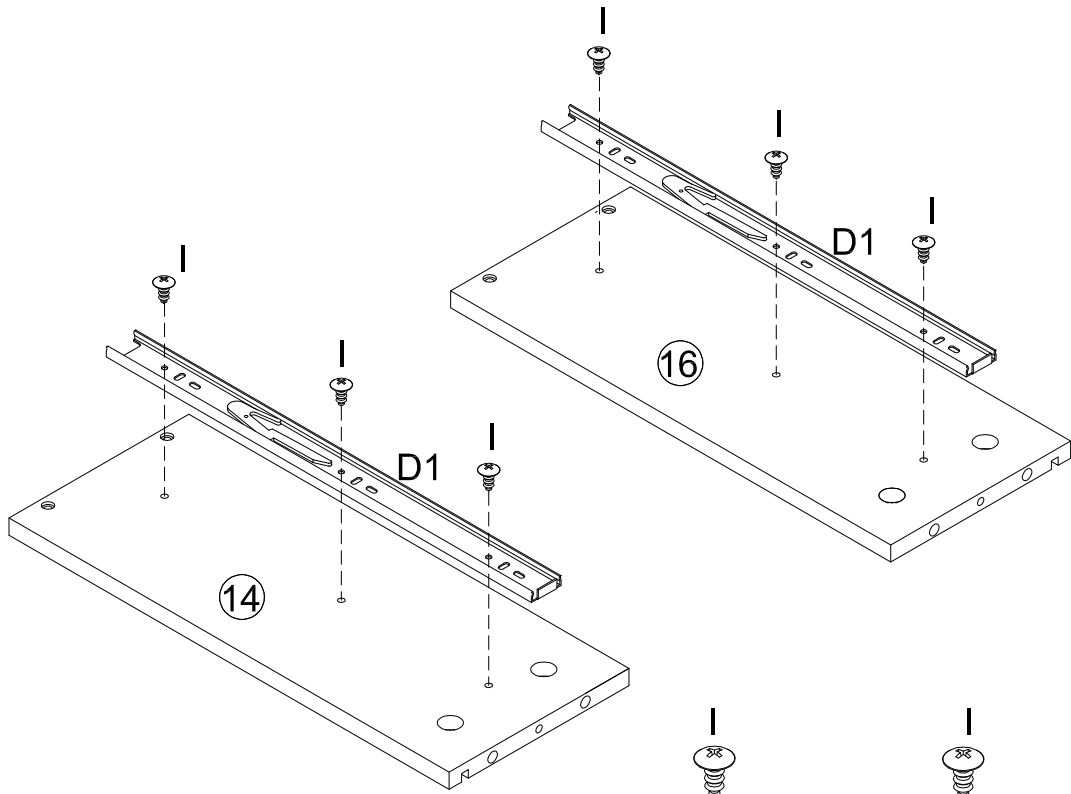
-  A. x6PCS
-  P. x1PC
-  R. x2PCS

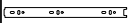

12

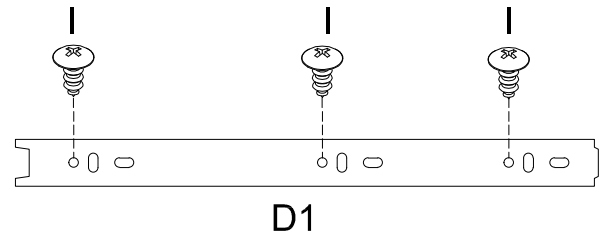


-  B. x6PCS
-  C. x2PCS

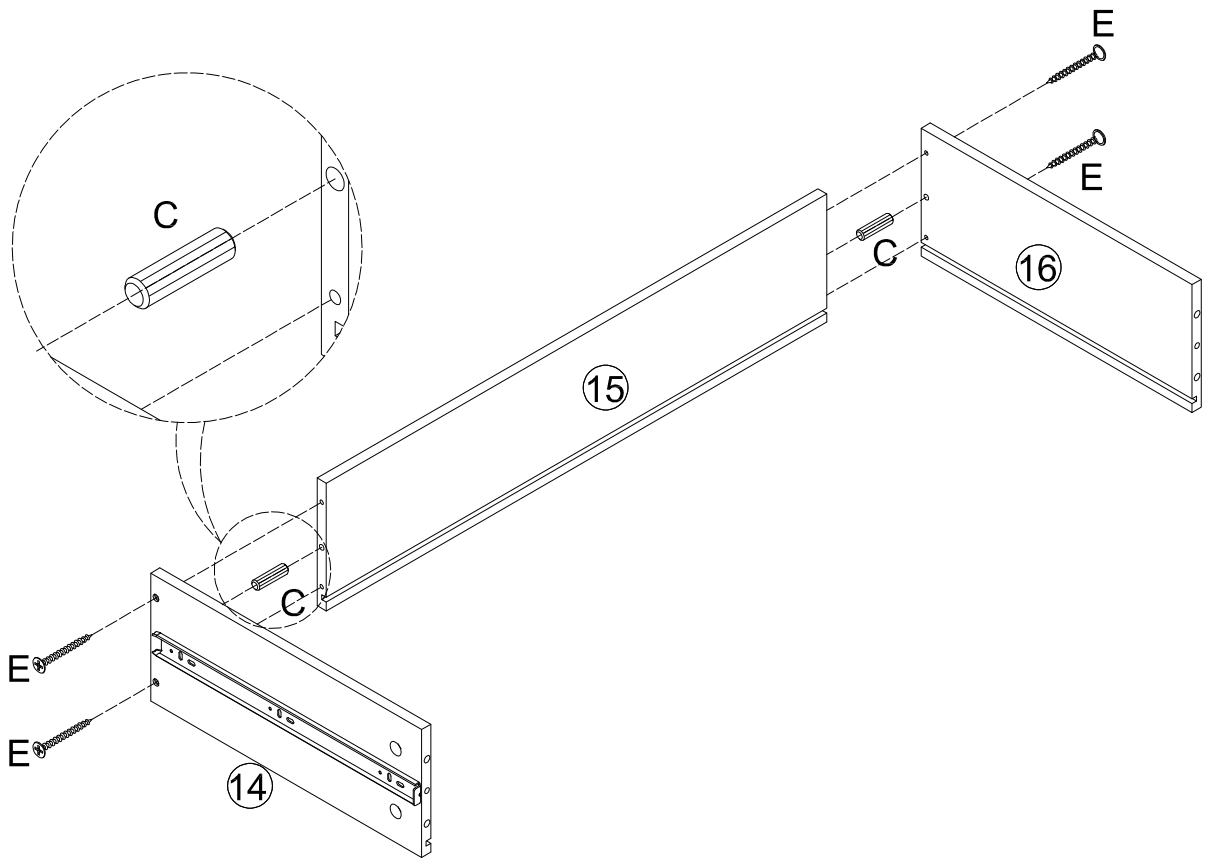
14





-  D1.x2PCS
-  I x 6PCS

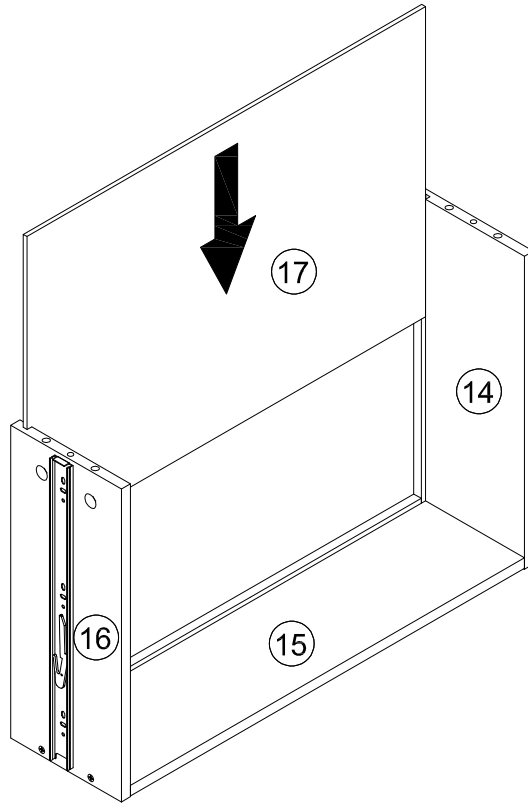


15

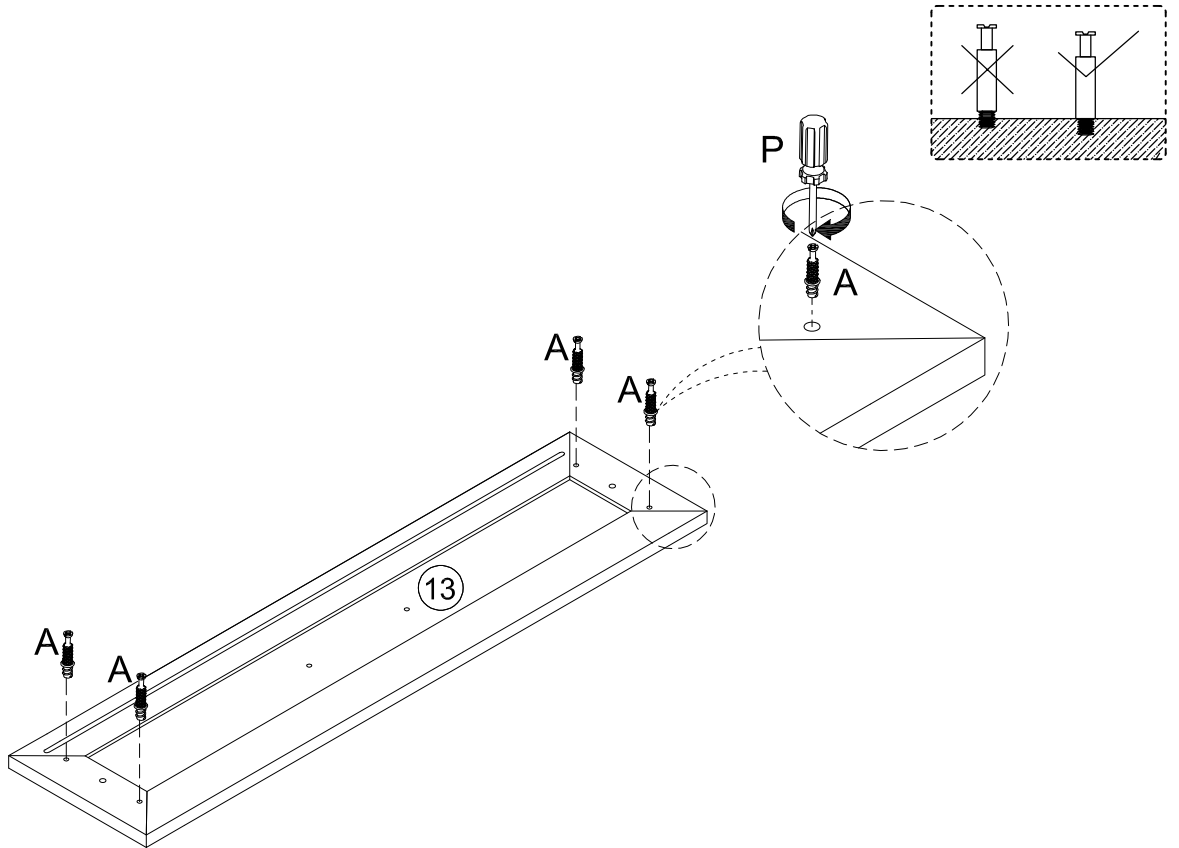



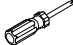
-  C. x2PCS
-  E. x4PCS

16

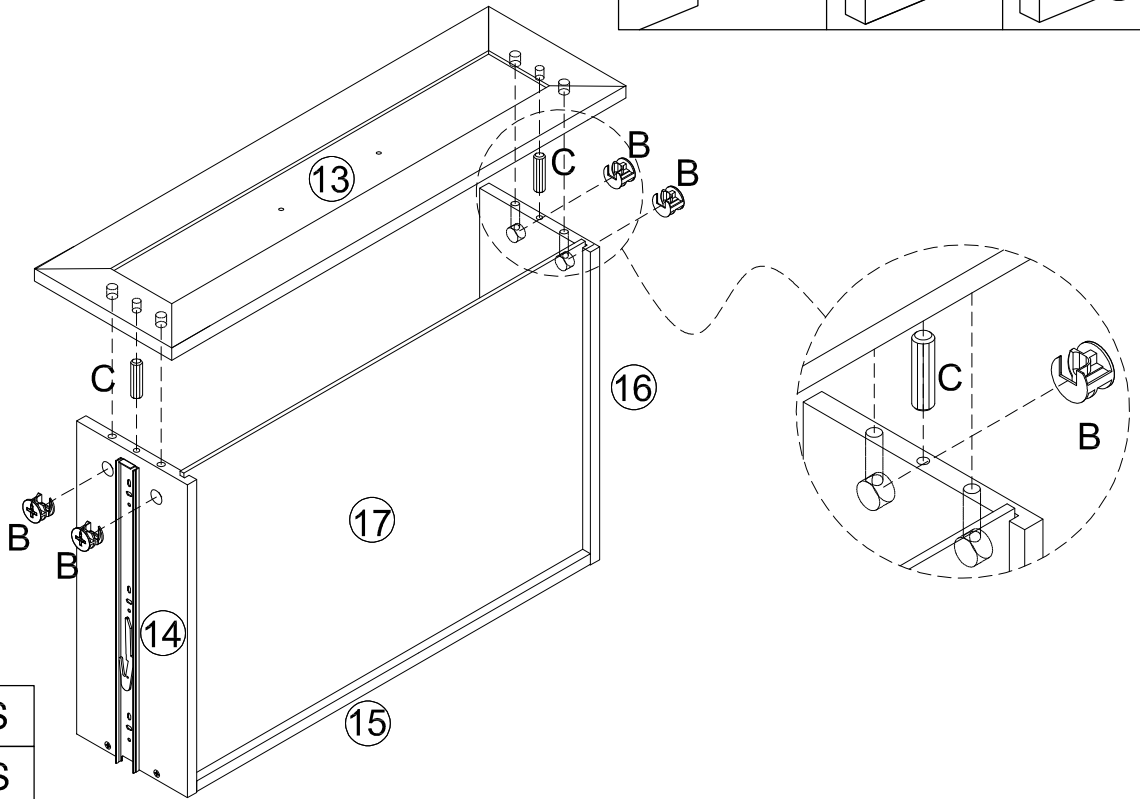
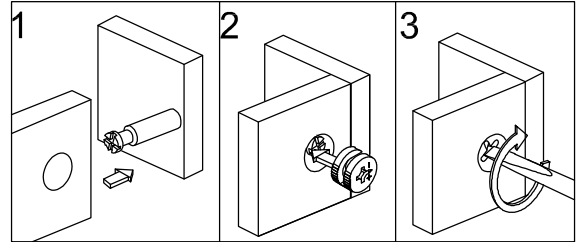




17



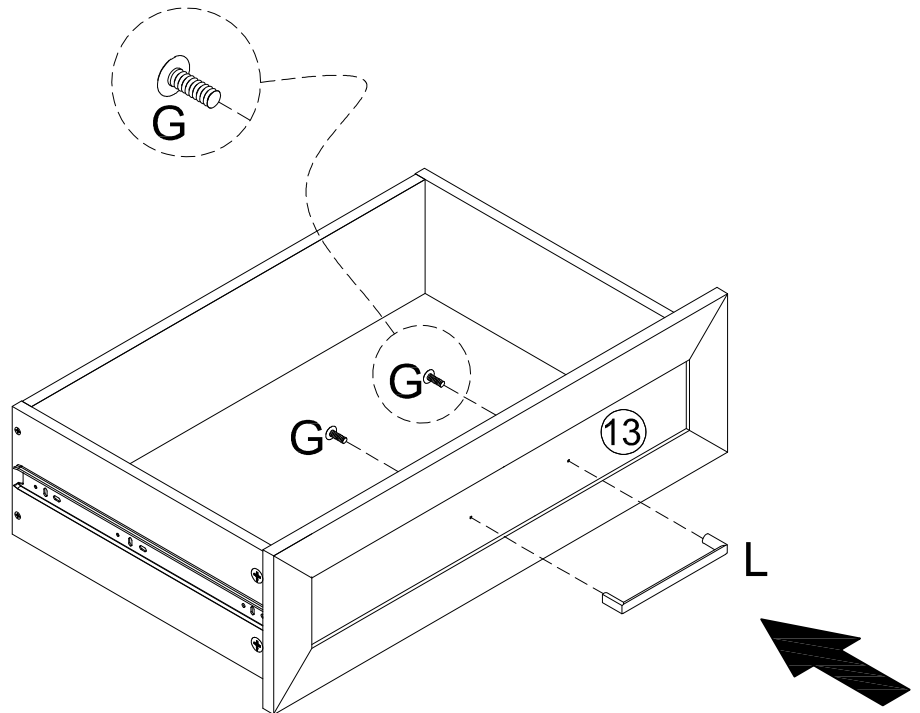
-  A. x4PCS
-  P. x1PC



18



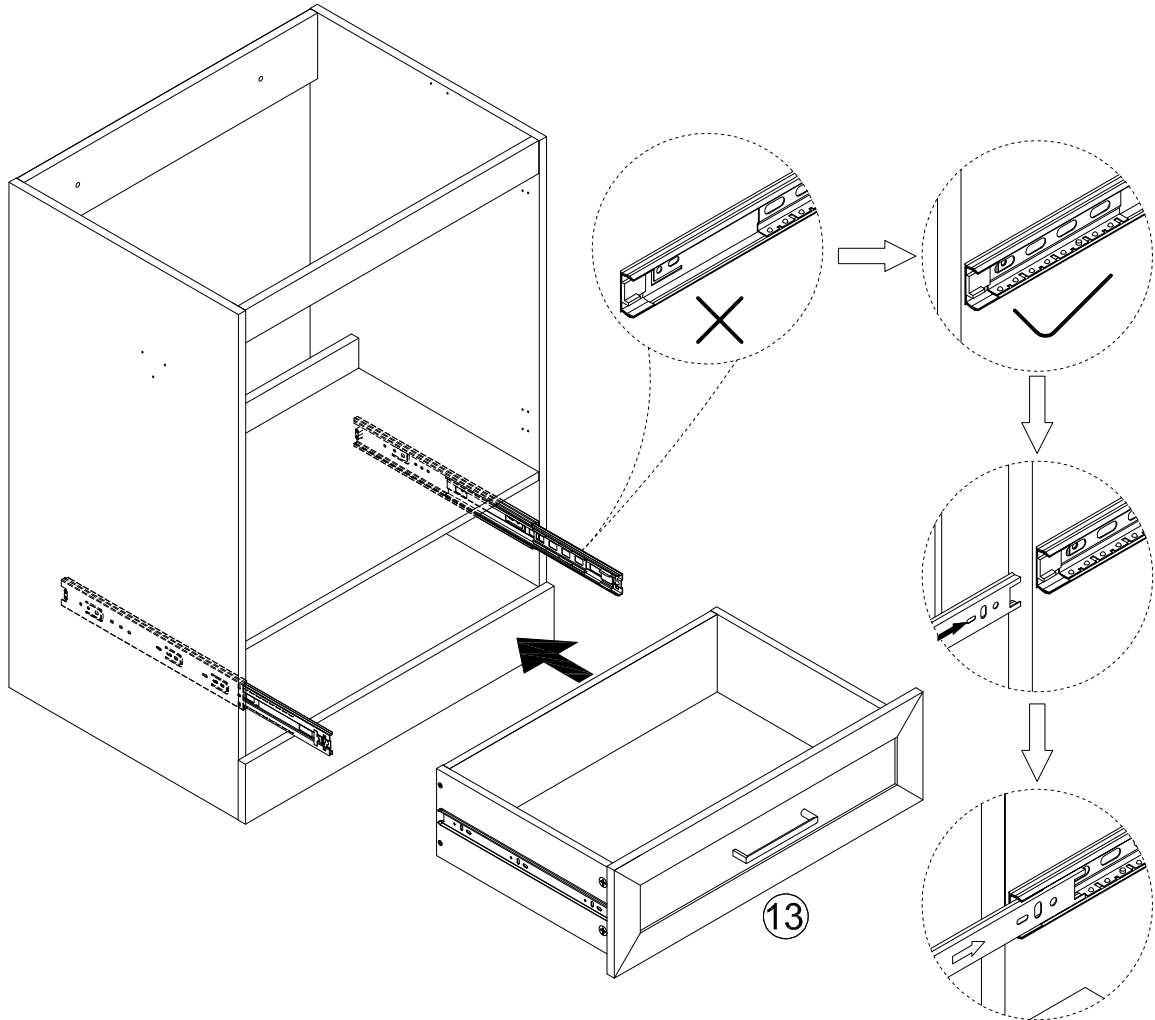
-  B. x4PCS
-  C. x2PCS

19

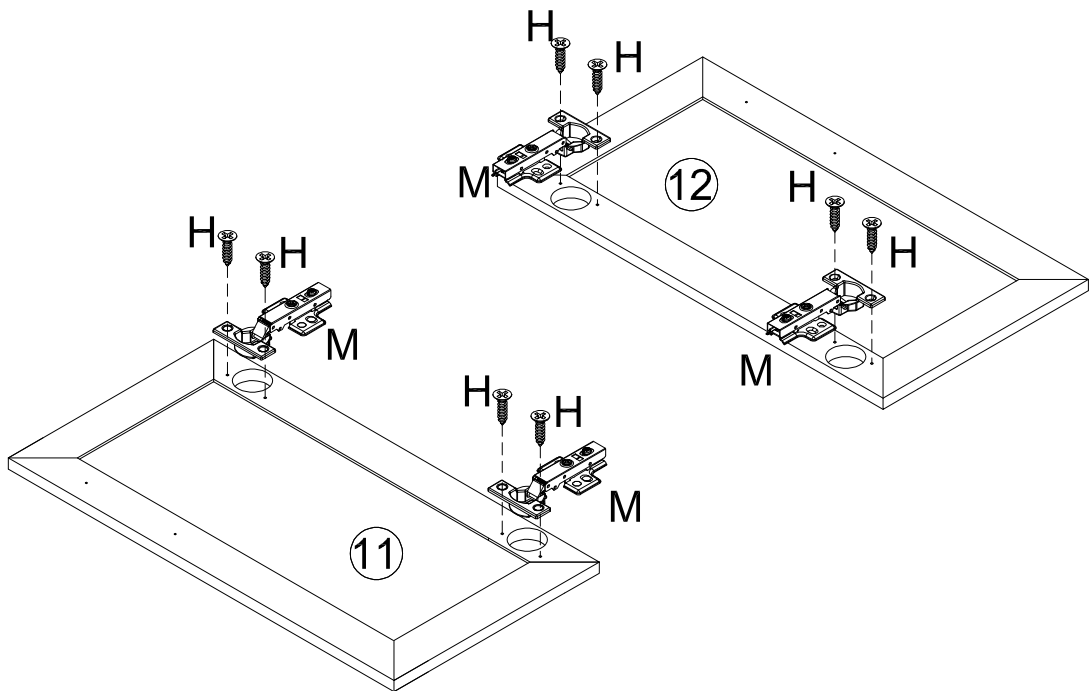




-  G. x2PCS
-  L. x1PC

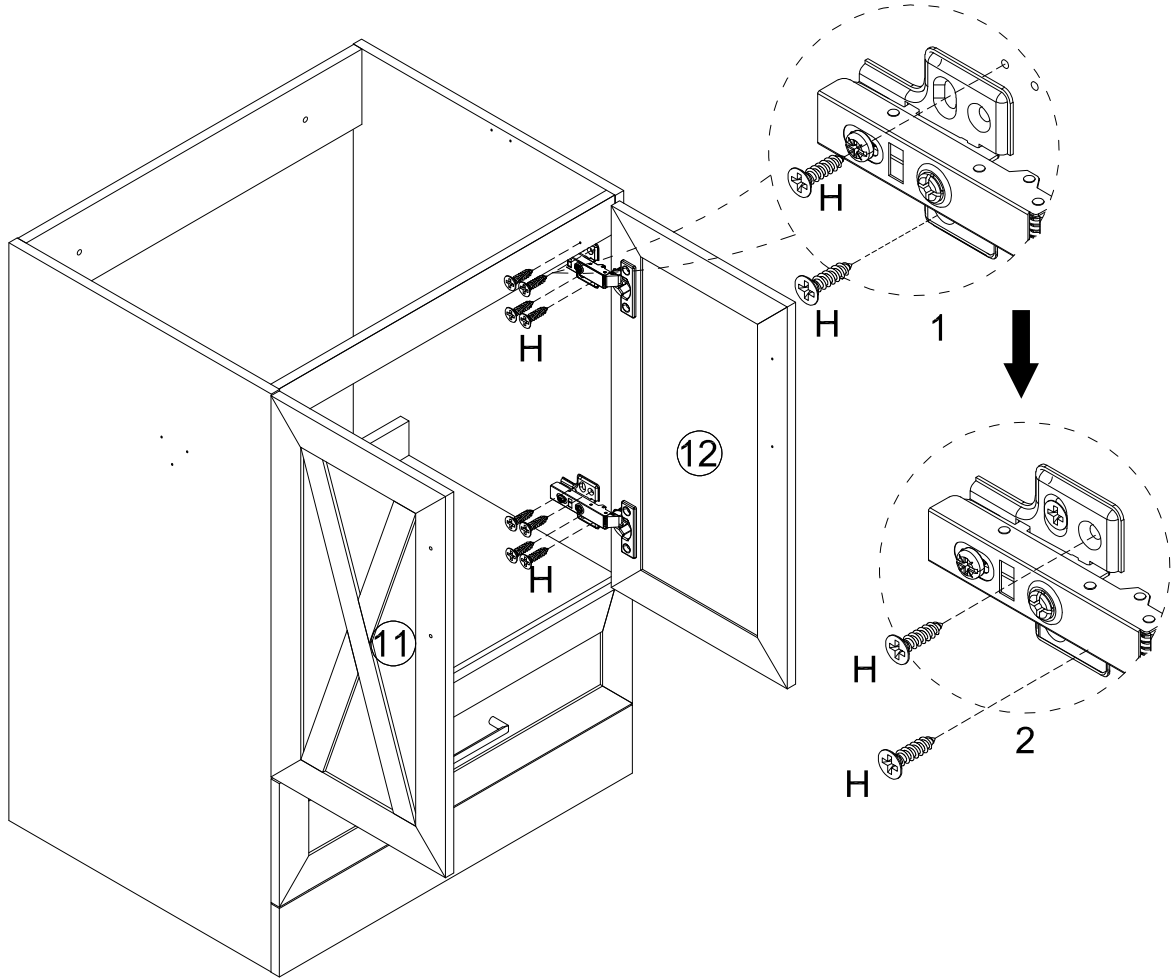
20




21

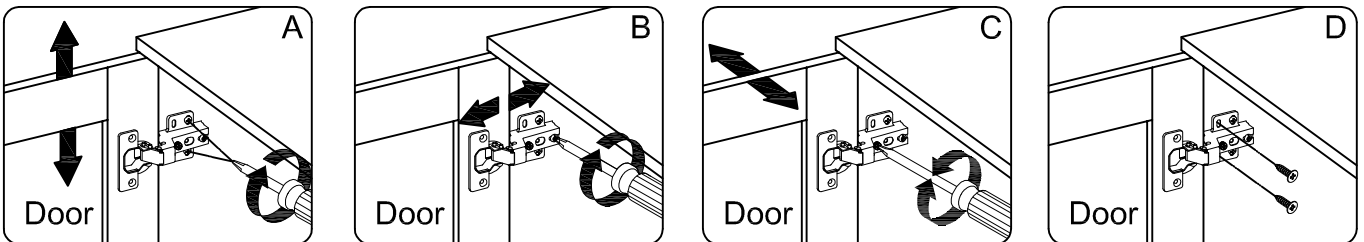


-  H. x8PCS
-  M. x4PCS



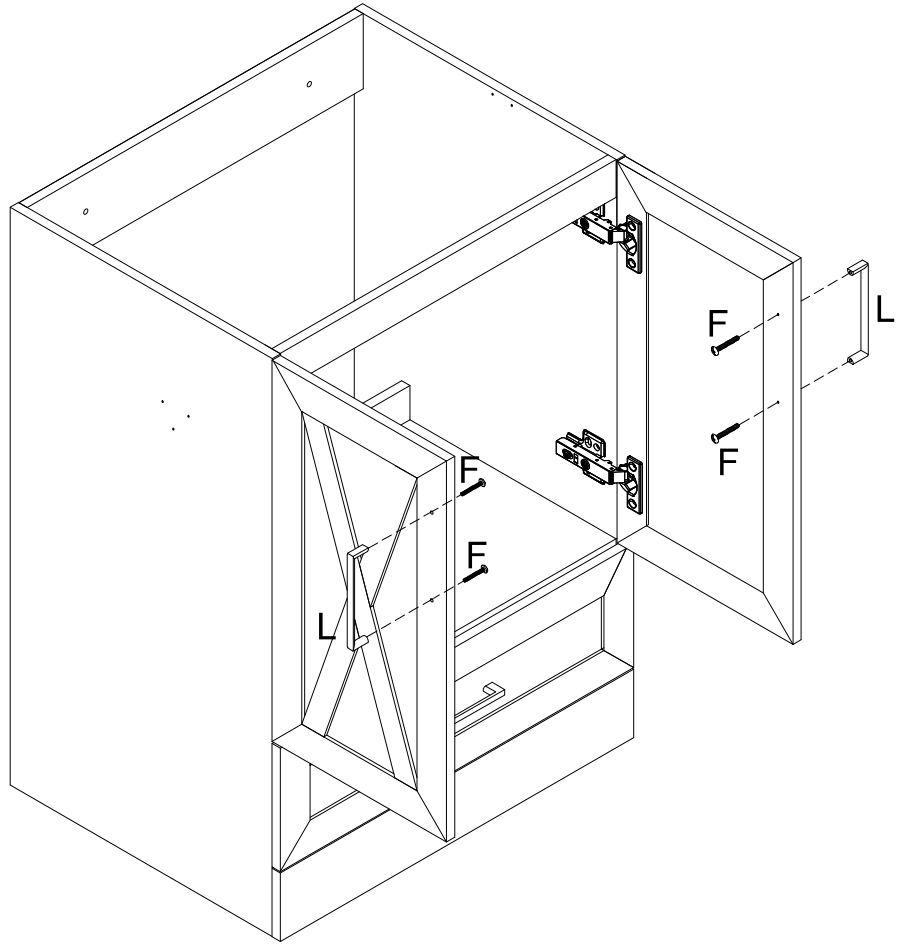
 H. x16PCS

When the hinges are installed, you can refer to the pictures to adjust crevice of the doors till it's perfect



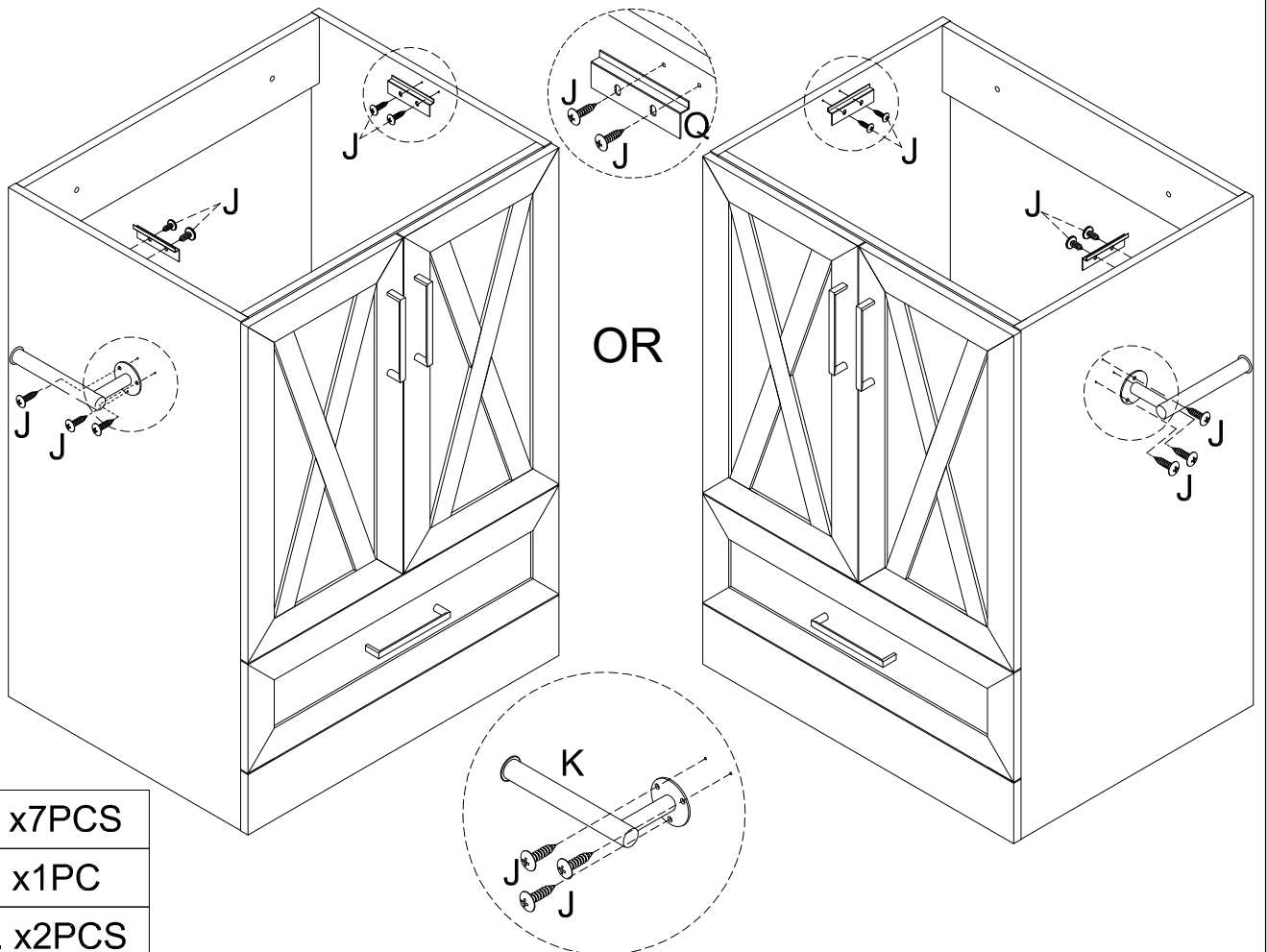
1. To adjust the doors up and down, please refer to step ( A )
2. To adjust the distance between the doors and side panels, please refer to ( B )
3. To adjust the gap between two doors, please refer to step ( C )
4. After the adjustment finished, please tight the screws, refer to step ( D )


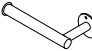

23



-  F. x4PCS
-  L. x2PCS

24



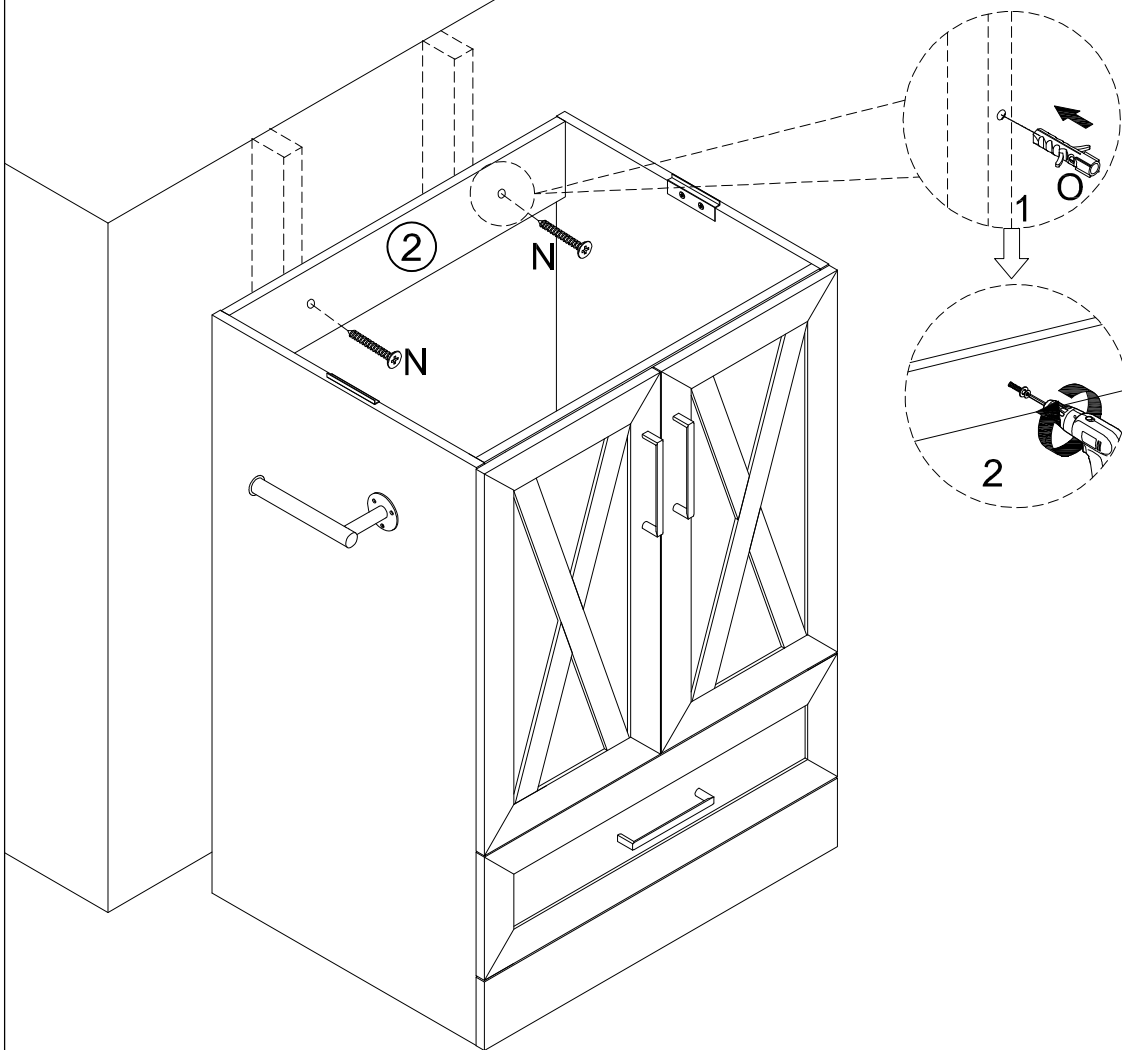
-  J. x7PCS
-  K. x1PC
-  Q. x2PCS



**\*Note:** Clean area where the vanity will be permanently located prior to beginning installation, ensuring the vanity will not interfere with any water supply and drain lines once mounted.

\* With the help of another adult, carefully place vanity against the wall in its final location. From inside vanity, drill hole through vanity mounting area and into wall studs. Using mounting hardware (O) appropriate for your installation site, secure vanity to wall stud

**\* WARNING**

Vanity **MUST** be secured to wall



-  N. x2PCS
-  O. x2PCS

**Note:** At this stage it may be easier to install the faucet and drain kit (not included) to top ( 9 ) per the manufacturer's instructions.

\* Apply stain free silicone or latex silicone caulk (not included) to the top edge of vanity. With the help of another adult, gently lower top ( 9 ) onto the vanity. Wipe away any excess caulk with a soft cloth, and wait approximately 24 hours for it to dry.

