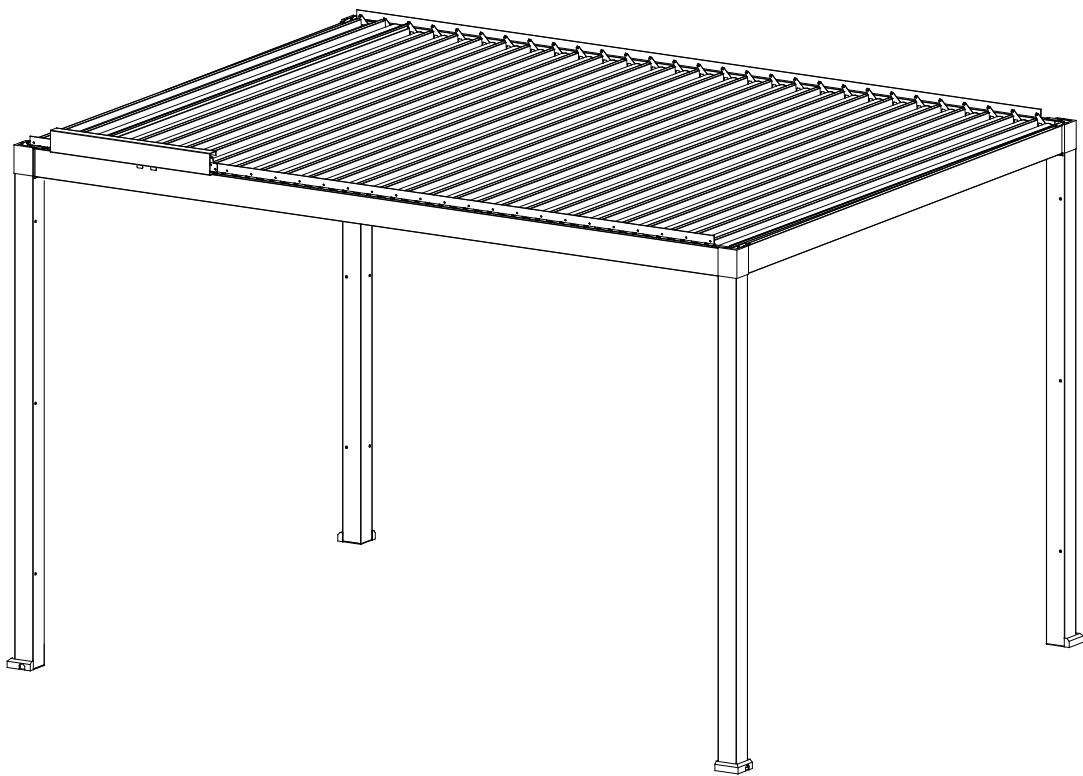


Assembly Manual

Before installation, please read the assembly instructions carefully.



FOR SKUS

OD0605P58TL

EN:We're here for you!

Please contact our customer care team before returning. We'll make it right for you.

ES:Estamos aqui para usted

Por favor, pongase en contacto con nuestro equipo de atención al cliente antes de regresar,
Lo arreglaremos por ti.

✉ Service Contact: contactus24service@gmail.com

☎ Phone Number: 951-213-4742

✉ Contacto de servicio: contactus24service@gmail.com

☎ Número de teléfono: 951-213-4742

WARNING!

EN: For your safety and to ensure proper use, please follow the provided instructions carefully. Incorrect assembly or handling may cause damage to the product or result in injury.

ES: Para su seguridad y para garantizar el uso correcto, siga las instrucciones proporcionadas cuidadosamente. El montaje o manejo incorrectos pueden causar daños al producto o resultar en lesiones.



ASSEMBLY INSTRUCTIONS



BEFORE YOU START

- EN: Read the instructions thoroughly
ES: Lea las instrucciones a fondo
- EN: Confirm parts and hardware.
ES: Confirme las piezas y el hardware.
- EN: A mild odor may occur due to packaging - it will fade after a few days.
ES: Un olor suave puede ocurrir debido al envasado - se desvanecerá después de unos días.



SAFETY TIPS



EN: Avoid over-tightening the screws.
ES: Evite apretar demasiado los tornillos.



EN: Estimated Time **1-2 hours**
ES: Tiempo estimado **1-2 hours**



EN: Difficulty
ES: Dificultad
★★★★☆



EN: Installers Required **4 people**
ES: Instaladores Requeridos **4 personas**

Table of Contents

Table of Contents.....	3
Safety Information.....	4-5
Pre-installation.....	6
Tools Required.....	6
Recommended Tools.....	6
Partslist.....	7-11
Installation Instructions.....	12-27
Warm Tips.....	28
Remote Control Coding Instructions.....	29-30
Operating Instructions For Leakage Protectors.....	31
Item Maintenance & Precautions.....	32-33

Safety Information

Installation qualification requirements

- Must be installed by 3-4 healthy adults with basic construction experience.
- Compliance with ANSI/SPRI RP44-2021 (structural safety standard for outdoor structures) and local building codes (e.g., IRC 2021) is mandatory.
- Professional contractor recommended for permanent outdoor installation (verify contractor license per state regulations).
- One-person installation is strictly prohibited (risk of structural collapse or falls).

Pre-installation inspection

- Verify that all parts are intact
- Verify tool availability (specialized tools such as power drills)
- Verify local building code requirements (including structural/drainage/electrical standards)

Personal protection standard

- Eye Protection: ANSI Z87.1 certified impact-resistant goggles (anti-aluminum chip splash).
- Hand Protection: Industrial-grade cut-resistant gloves (thickness $\geq 2\text{mm}$, ANSI/ISEA 105 Level 3+).
- Respiratory Protection: N95 respirator (required when cutting or drilling aluminum components to avoid dust inhalation).
- Head Protection: ANSI Z89.1 certified hardhat.

Site safety management

- Establishment of a 2-meter safety separation zone (no children/pets allowed)
- Parts management system implemented (immediate cleaning of floorscrews)
- Column bases fully tightened (eliminate tripping risks)

Power tool operation

- Use only UL-listed power tools rated for 120V AC (U.S. standard voltage).
- Maintain tool temperature (continuous use ≤ 15 minutes to prevent overheating).
- Wear insulated gloves (ASTM D120 standard) when operating electrical tools.
- Ensure GFCI (Ground Fault Circuit Interrupter) protection for all power connections.

Pergola structural assembly requirements

- Prohibit any structural modifications (maintain original design)
- Double verification of connection tightness (torque values according to manual)
- Link the wires according to the specification of the manual

Extreme weather conditions

- Ice & Snow: Louver operation prohibited when temperature $\leq 0^{\circ}\text{C}$ (32°F); remove snow before operation.
- High Wind: Do not operate louvers if wind speed exceeds 25mph (40km/h) – comply with local wind load requirements (ASCE 7-16).

Safety Information

- Storms: Ensure minimum drainage slope of 2% to prevent water pooling (per IRC drainage standards).

Special risk avoidance

Louvers operation ban:

- Prohibition of hand intervention in the mechanical gap (keep a safety distance of 15 cm)
- Prohibition of roof loads exceeding the maximum load

Pre-installation

PLANNING INSTALLATION

To prevent damage, place all parts on a soft surface during assembly.
Tools required for assembly (not included): Allen wrench (included), hammer, screwdriver, stepladder, level and other safety items such as gloves, safety goggles and hardhat.

NOTE | Tools and protective articles below are not provided.

TOOLS REQUIRED



Safety goggles



Gloves



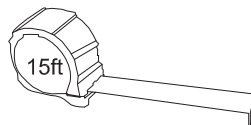
Hardhat



Level

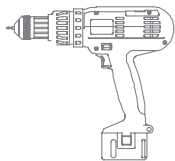


8-Foot Ladder
(Must have 2 ladders.)

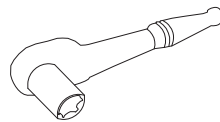


15-Foot
Tape measure

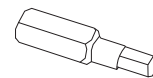
RECOMMENDED TOOLS



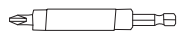
Cordless drill or drive
with 4mm Allen head bit



Socket wrench with
10mm and 14mm socket

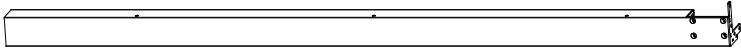
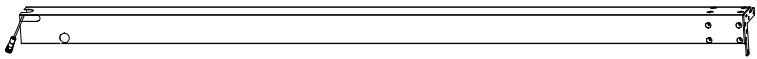
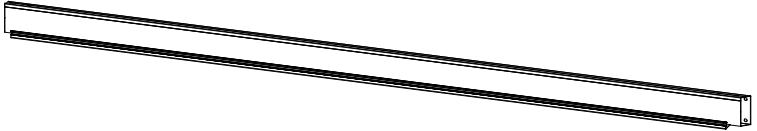
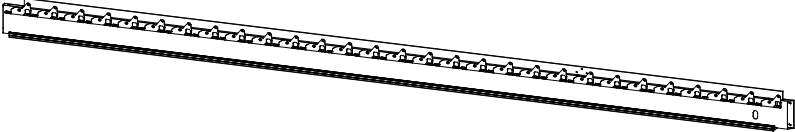
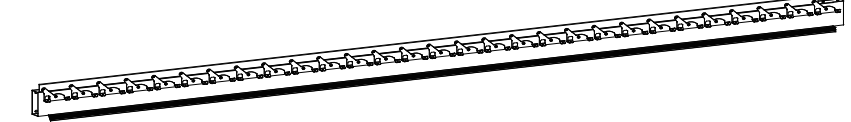

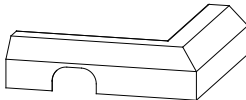
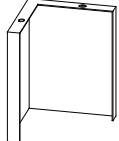



3mm / 4mm / 5mm / 6mm
Allen or Hex bit

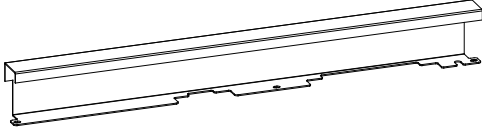
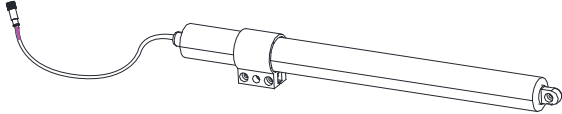
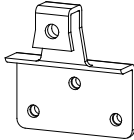
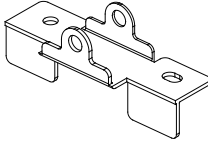
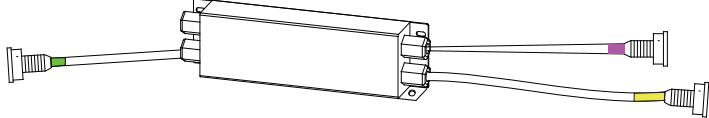
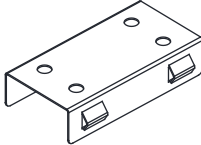
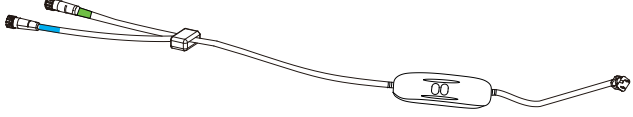
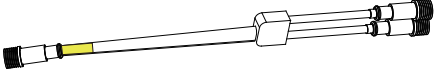
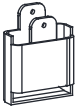


Driver bit extension
(4-inch recommended)



Included Parts

PART	QTY	DIAGRAM
Post A1	3	
Post A2	1	
Beam B	2	
Beam C1	1	
Beam C2	1	
Base Plate D	4	
Cover E	4	
Cover F	4	
Louvers G	29	

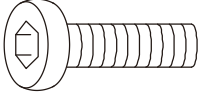
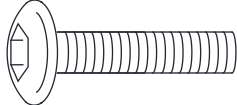
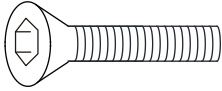
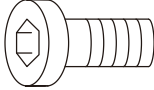

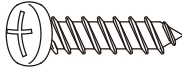
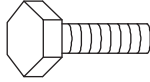

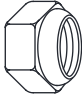
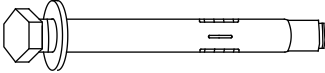
Included Parts

PART	QTY	DIAGRAM
Motor Cover H	1	
Motor Assembly I	1	
Connector I1	1	
Motor Bracket I2	1	
Controller J	1	
Bracket K	4	
Wire L	1	
Wire L1	1	
Remote Control Basel M	1	

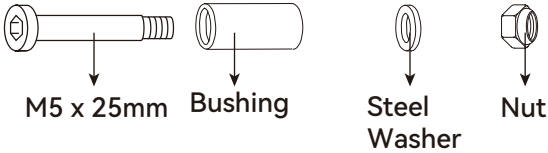






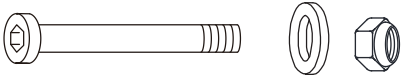
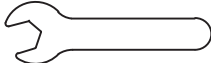
Included Parts

PART	QTY	DIAGRAM
Spacer N	2	
Controller O	1	

Included Parts

PART	QTY	DIAGRAM
Bolt AA	24	 <p data-bbox="1310 533 1455 562">M6 x 15mm</p>
Bolt BB	32	 <p data-bbox="1310 680 1455 710">M8 x 20mm</p>
Bolt CC	16	 <p data-bbox="1310 860 1455 889">M6 x 20mm</p>
Bolt DD	116	 <p data-bbox="1310 1023 1439 1052">M5 x 8mm</p>
Bolt EE	2	 <p data-bbox="1310 1182 1455 1211">M3 x 15mm</p>
Bolt FF	8	 <p data-bbox="1310 1346 1455 1375">M5 x 15mm</p>
Bolt GG	2	 <p data-bbox="1310 1516 1455 1545">M6 x 15mm</p>
M6 Washer HH	29	
Nut II	3	 <p data-bbox="1398 1809 1439 1839">M6</p>
Stake JJ	12	

Included Parts

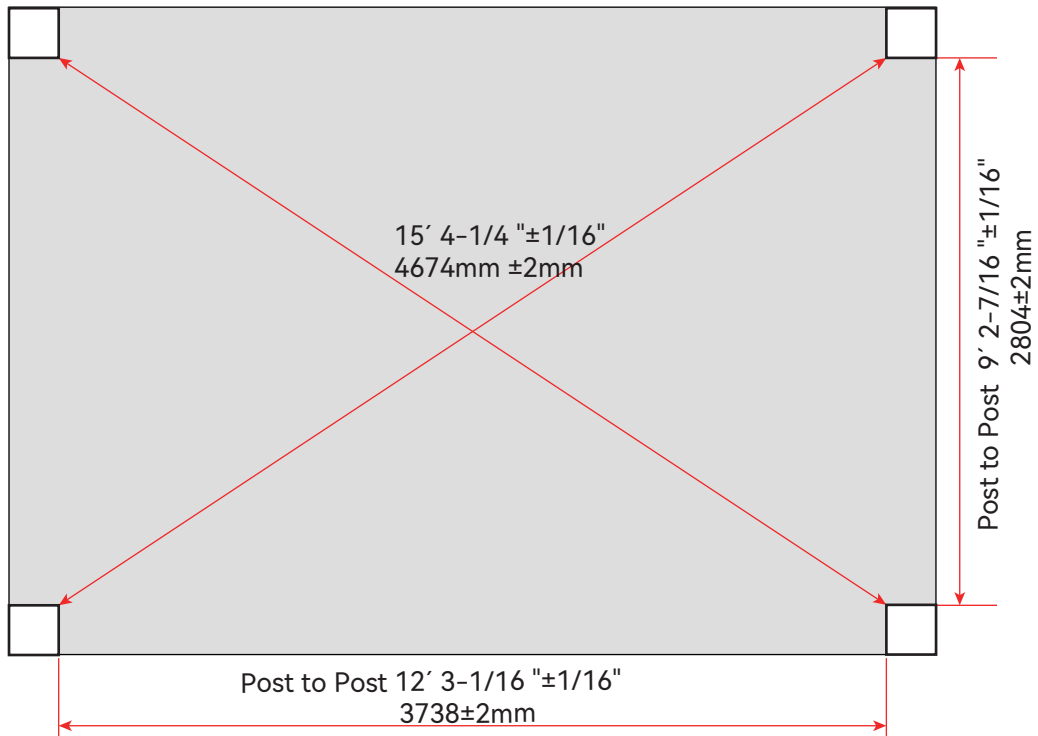
PART	QTY	DIAGRAM
Bolt KK	1	 <p>M5 x 25mm Bushing Steel Washer Nut</p>
Allen Wrench LL	1	 <p style="text-align: right;">5#</p>
Allen Wrench MM	1	 <p style="text-align: right;">4#</p>
Allen Wrench NN	1	 <p style="text-align: right;">3#</p>
Allen Wrench OO	1	 <p style="text-align: right;">4#</p>
Wrench PP	1	
Straps QQ	8	
Bolt RR	1	 <p style="text-align: right;">M8 x 52mm</p>
Wrench SS	1	

Installation Instructions

1 Select the position

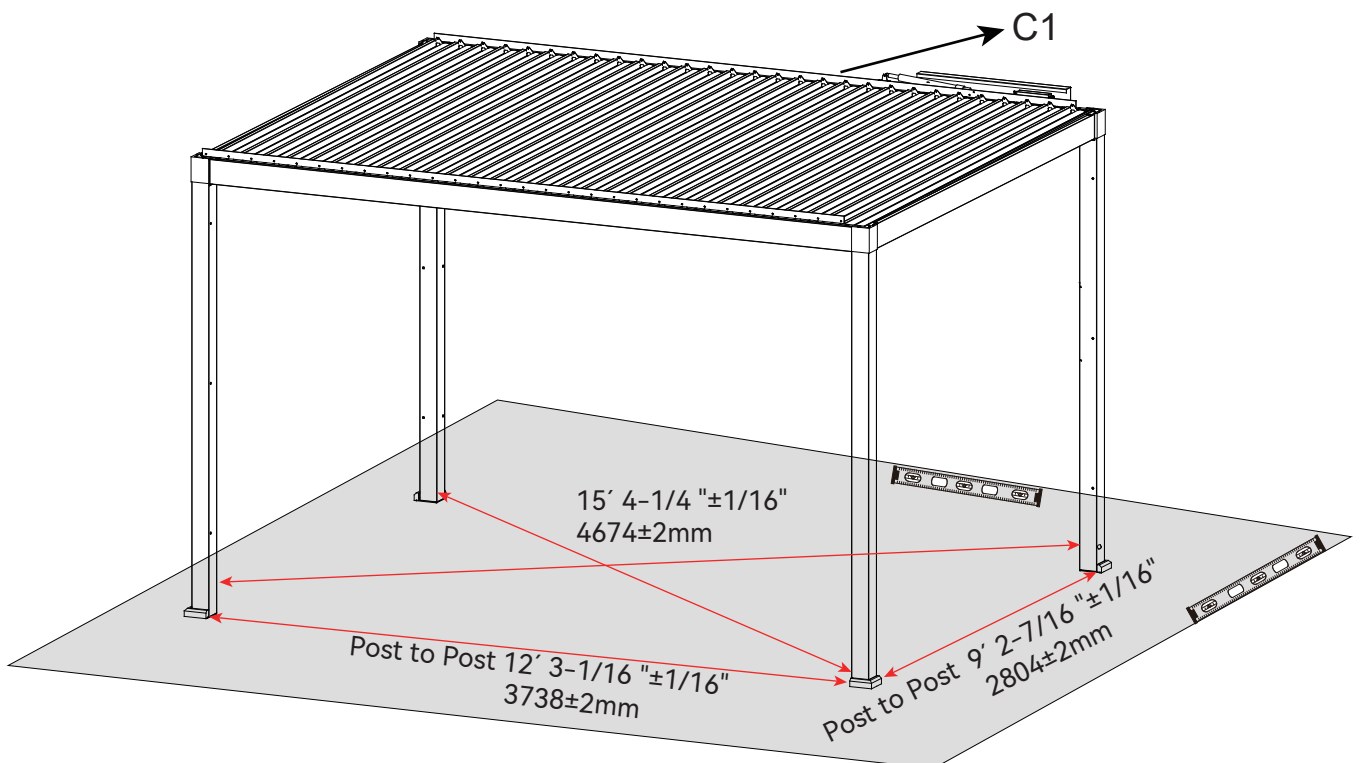
2D FOOTING MEASUREMENT(dimensions in ft)

Note: It is critically important you start with rectangle, solid and level footings, concrete pad or deck to attach your Pergola Room.




3D FOOTING MEASUREMENT(dimensions in ft)

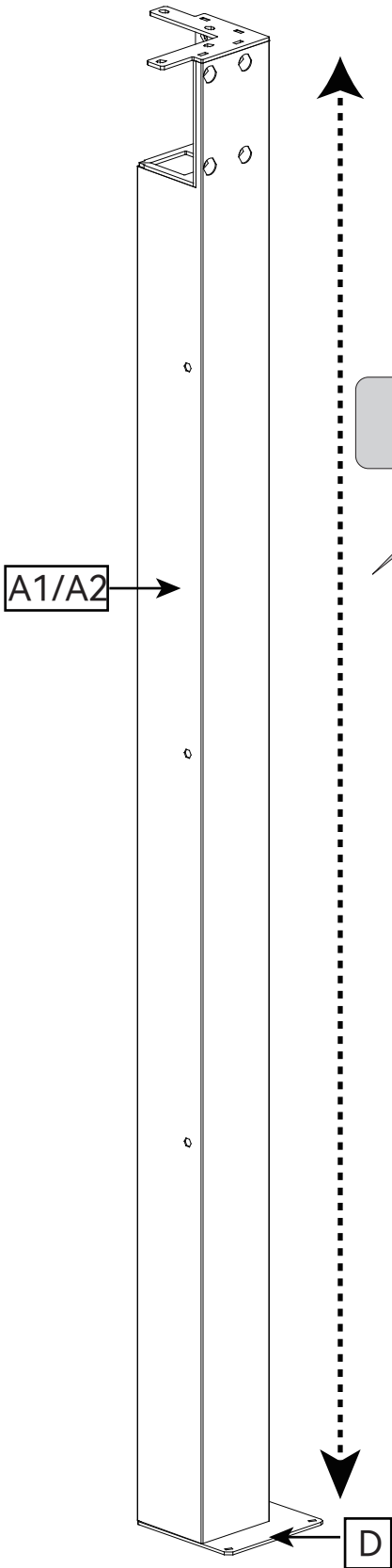
Note: The foundation/ground for the pergola installation must be level. If leveling is not possible, position the side with the C1 crossbeam on higher ground.



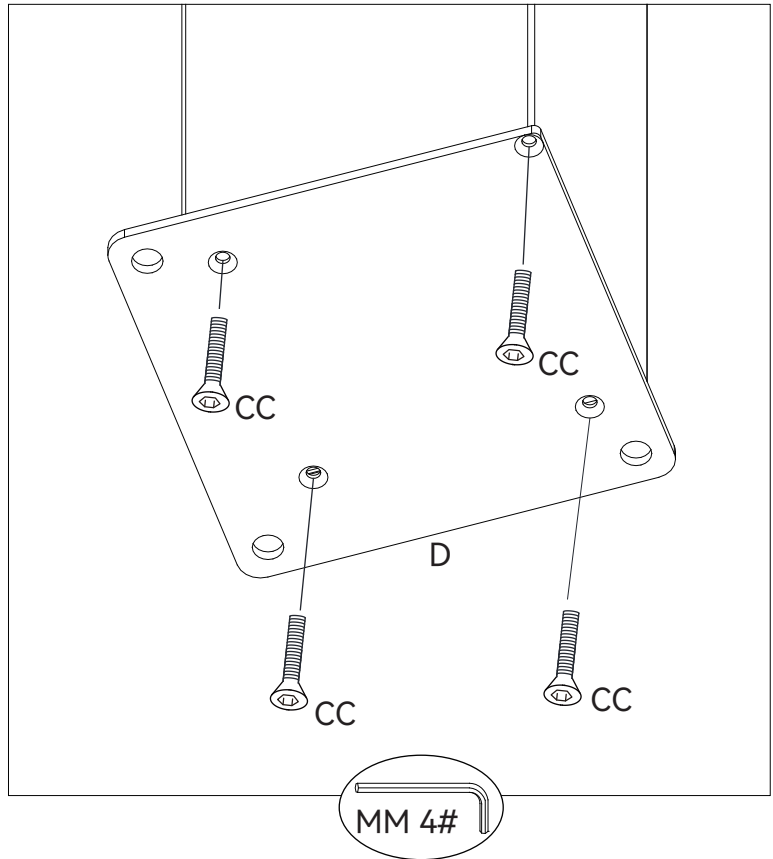
Installation Instructions

2 Installing the Post and Base cover

CC		x16
----	---	-----

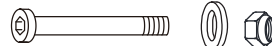



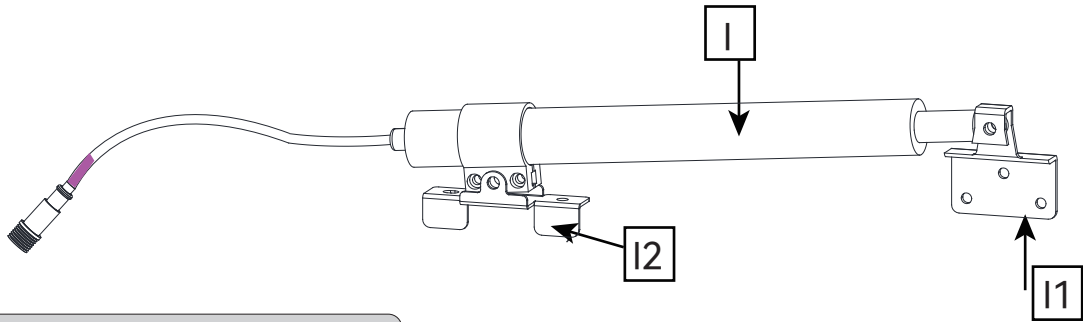
IMPORTANT: Please note the direction of the Base plate.



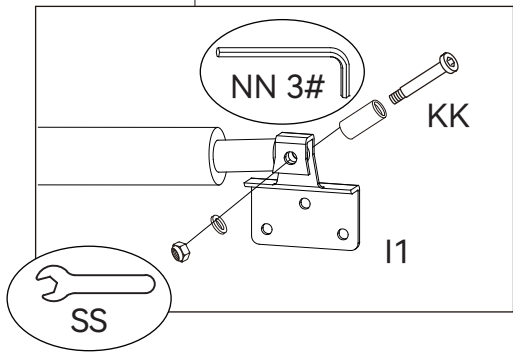
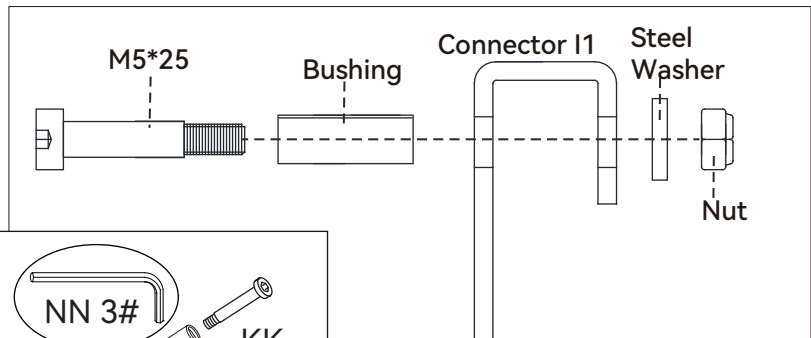
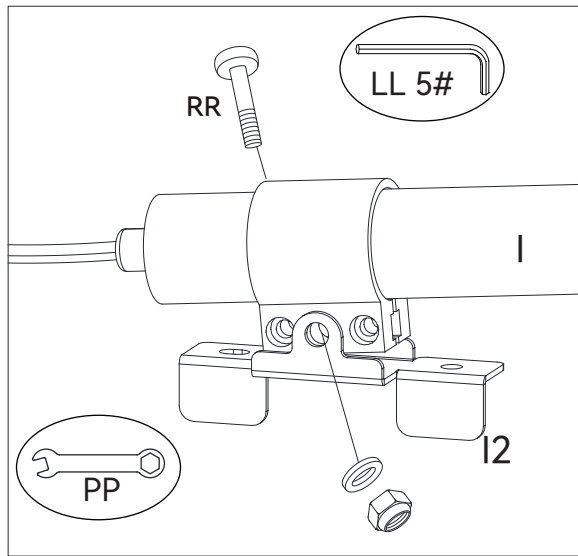
Installation Instructions

3 Installing the Motor Assembly

RR		x1
KK		x1

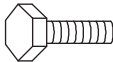
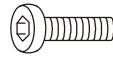




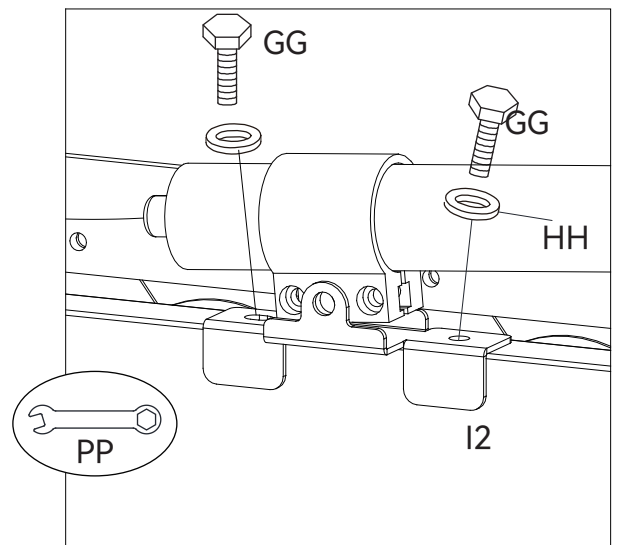
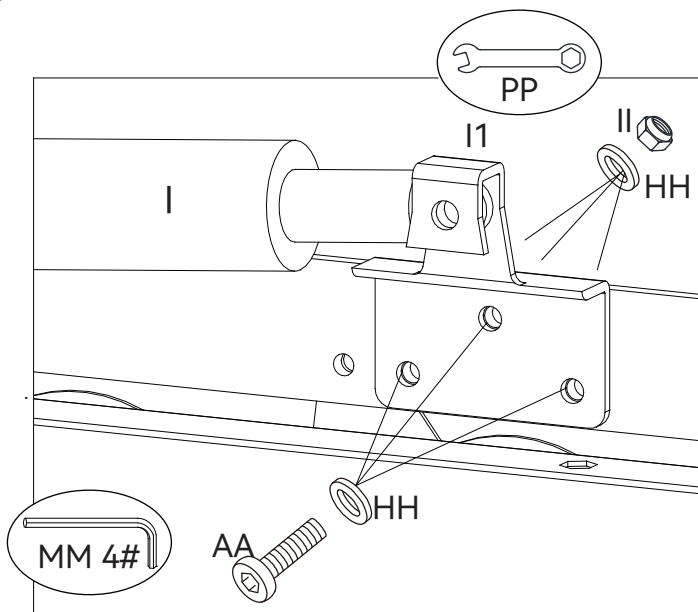
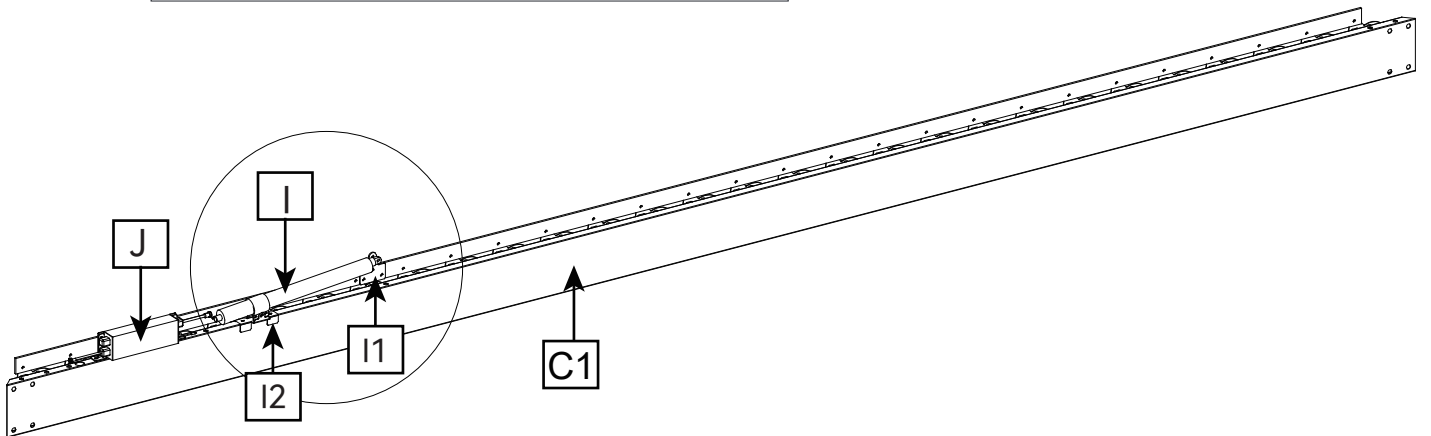
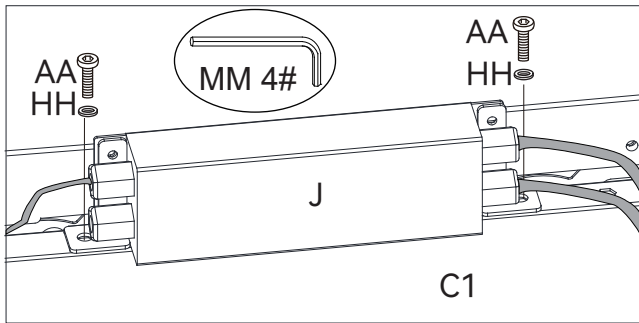
Please pay attention to the direction of the connectors.



Installation Instructions

4 Installing the Motor Assembly and the Controller

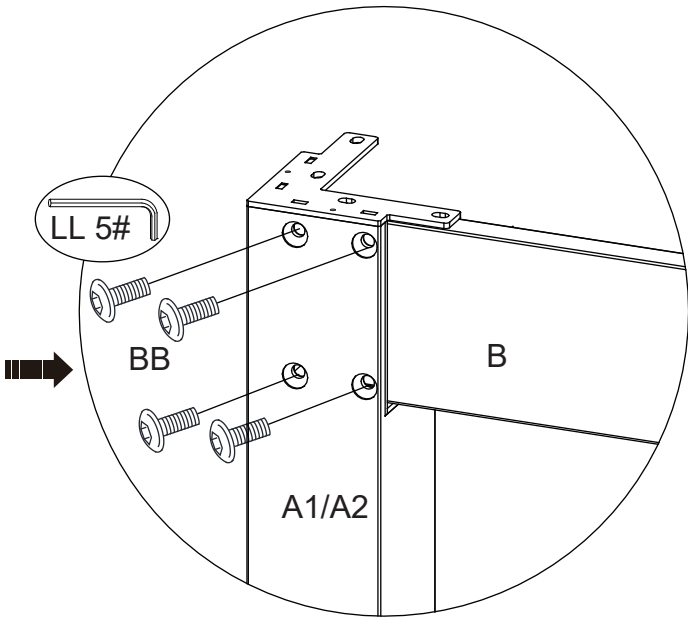
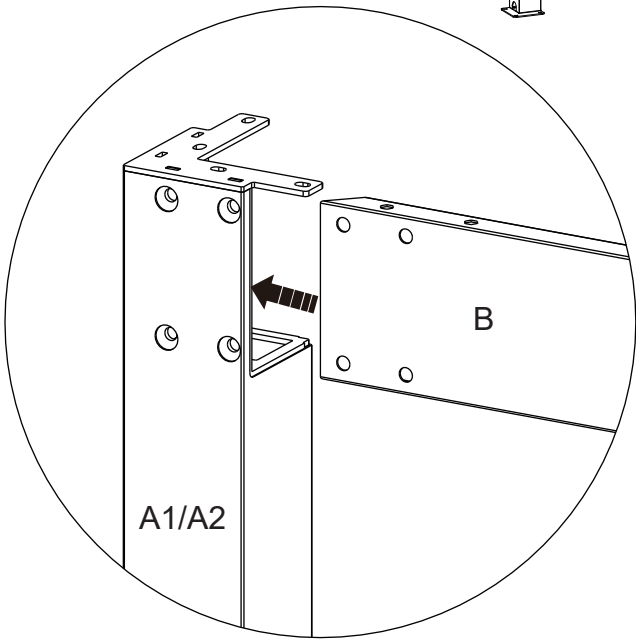
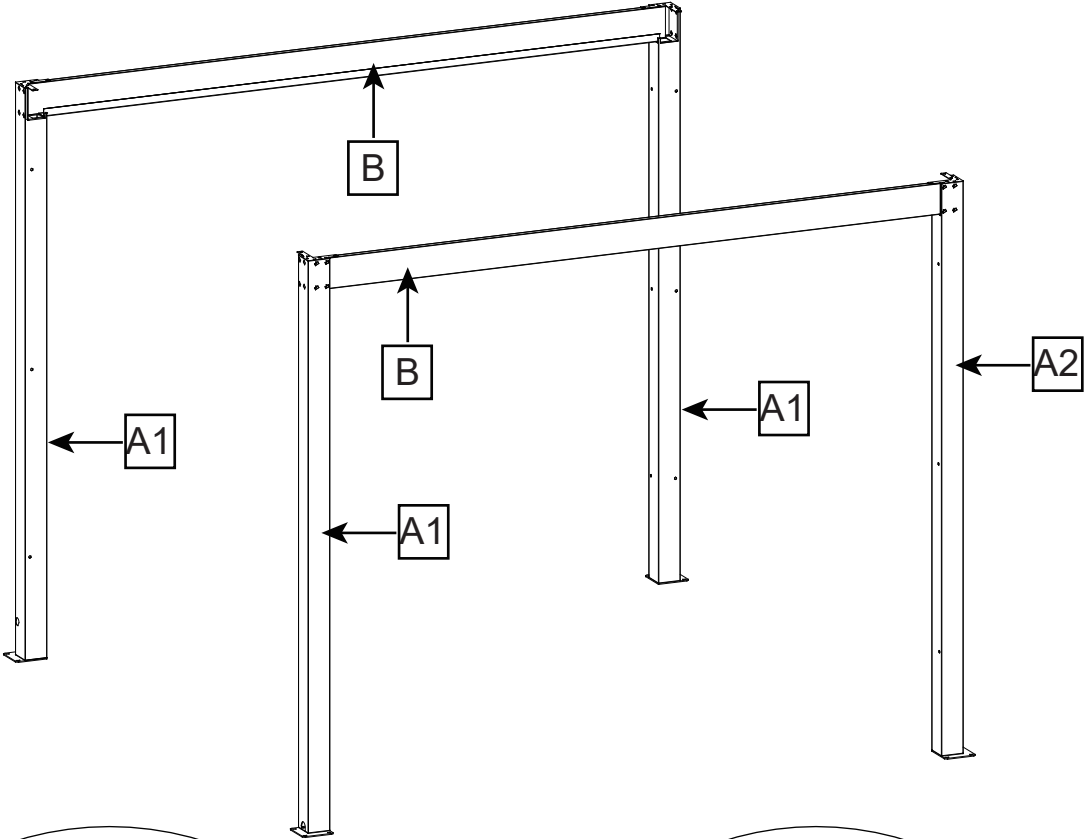
GG		x2
AA		x5
HH		x10
II		x3



Installation Instructions

5 Installing the Beam

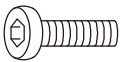
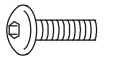


BB		x16
----	---	-----

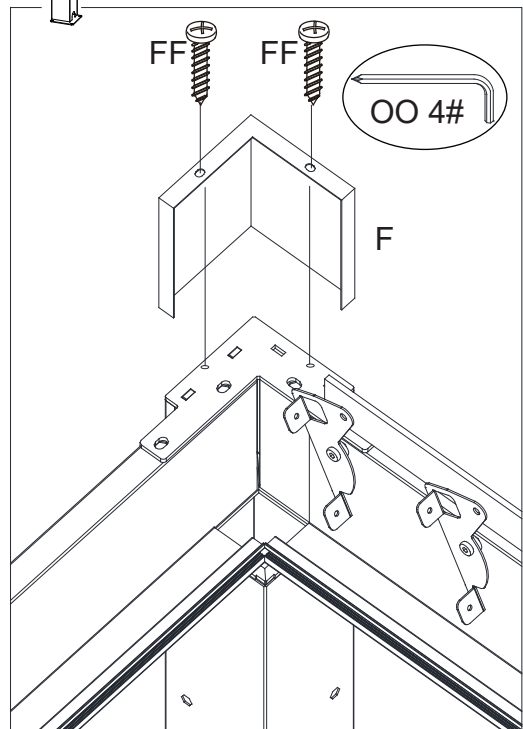
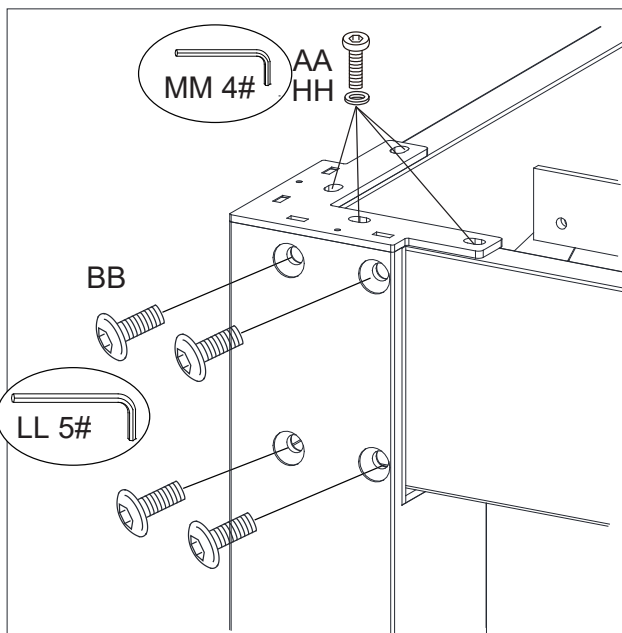
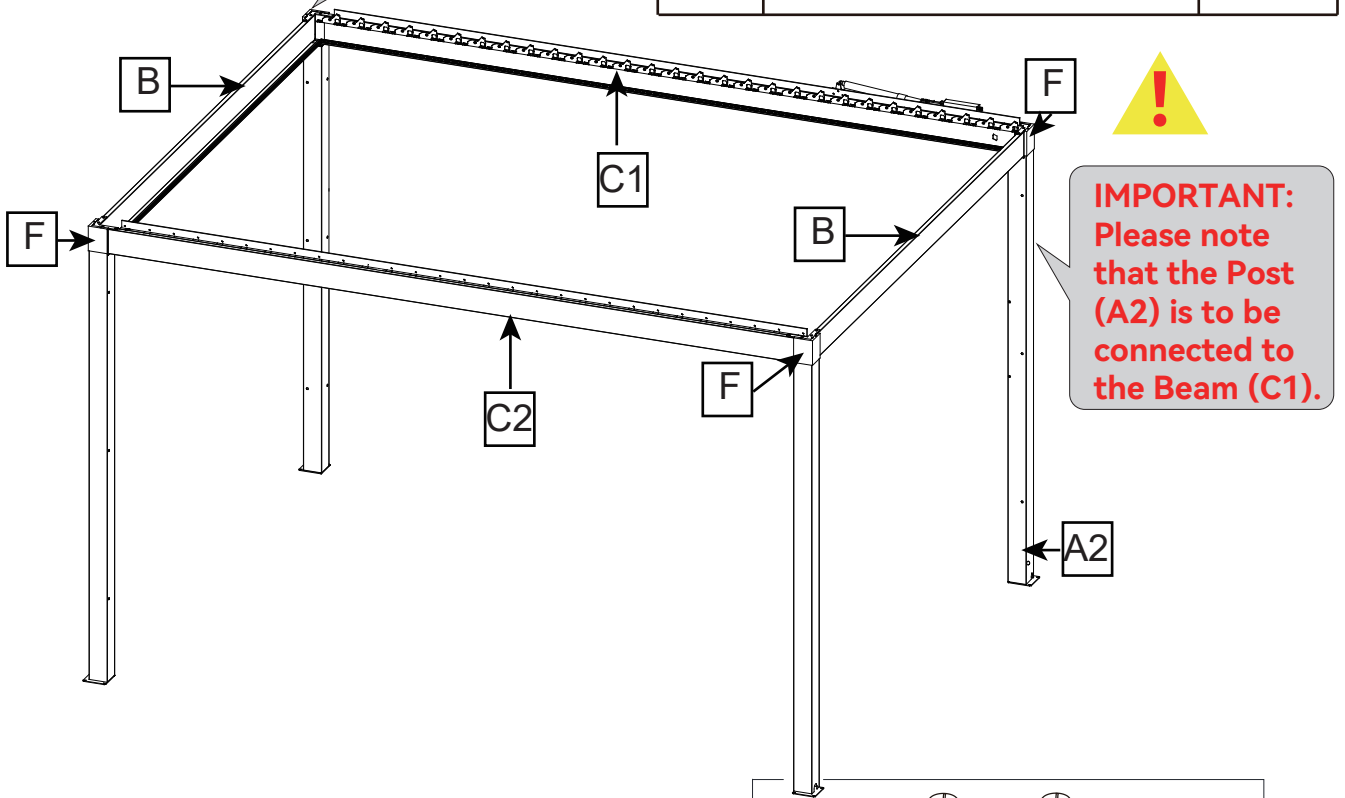


Installation Instructions

6 Installing the Beam

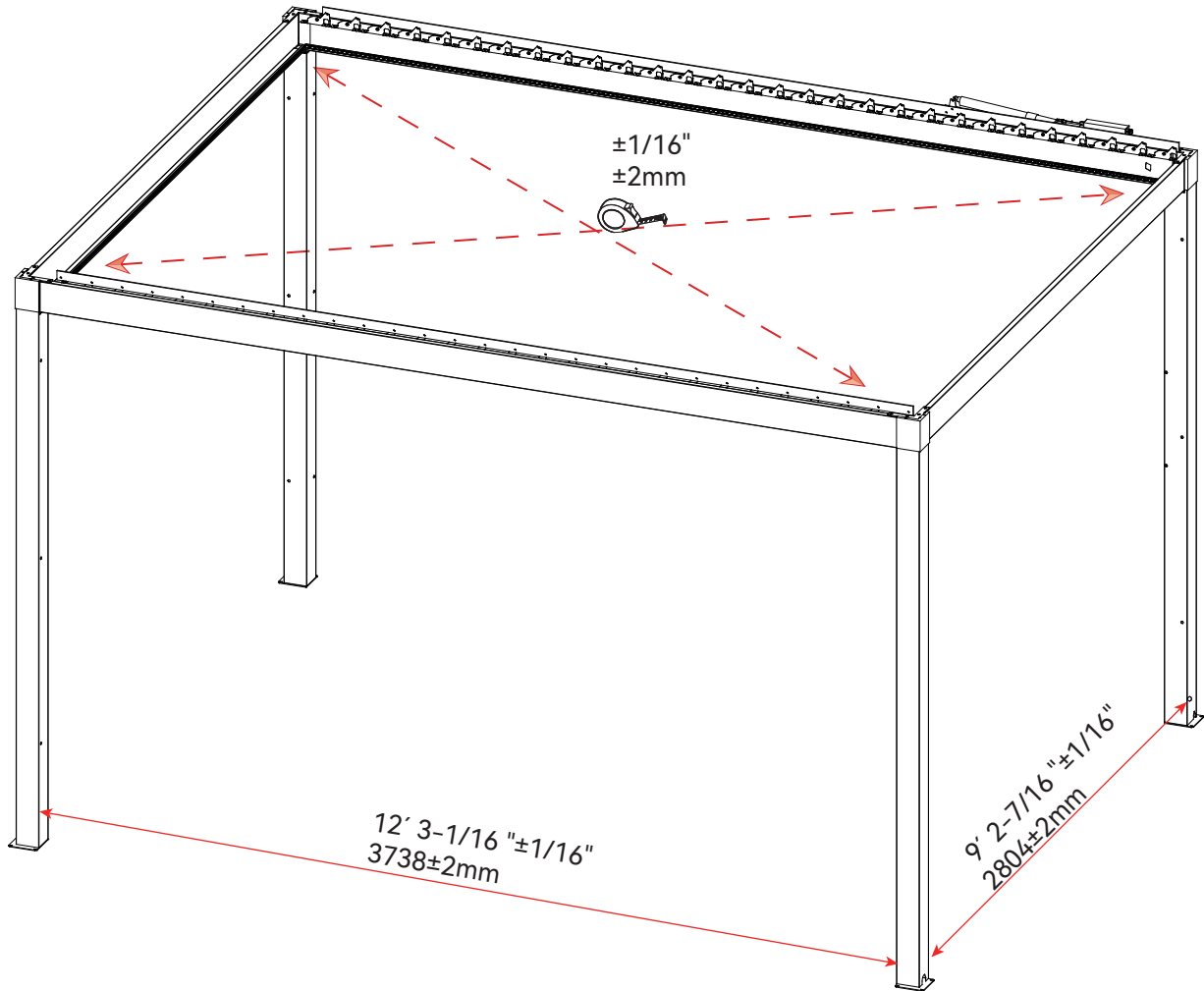
IMPORTANT: At least four people are required to hold the stand to avoid falls.

AA		x16
BB		x16
HH		x16
FF		x8



Installation Instructions

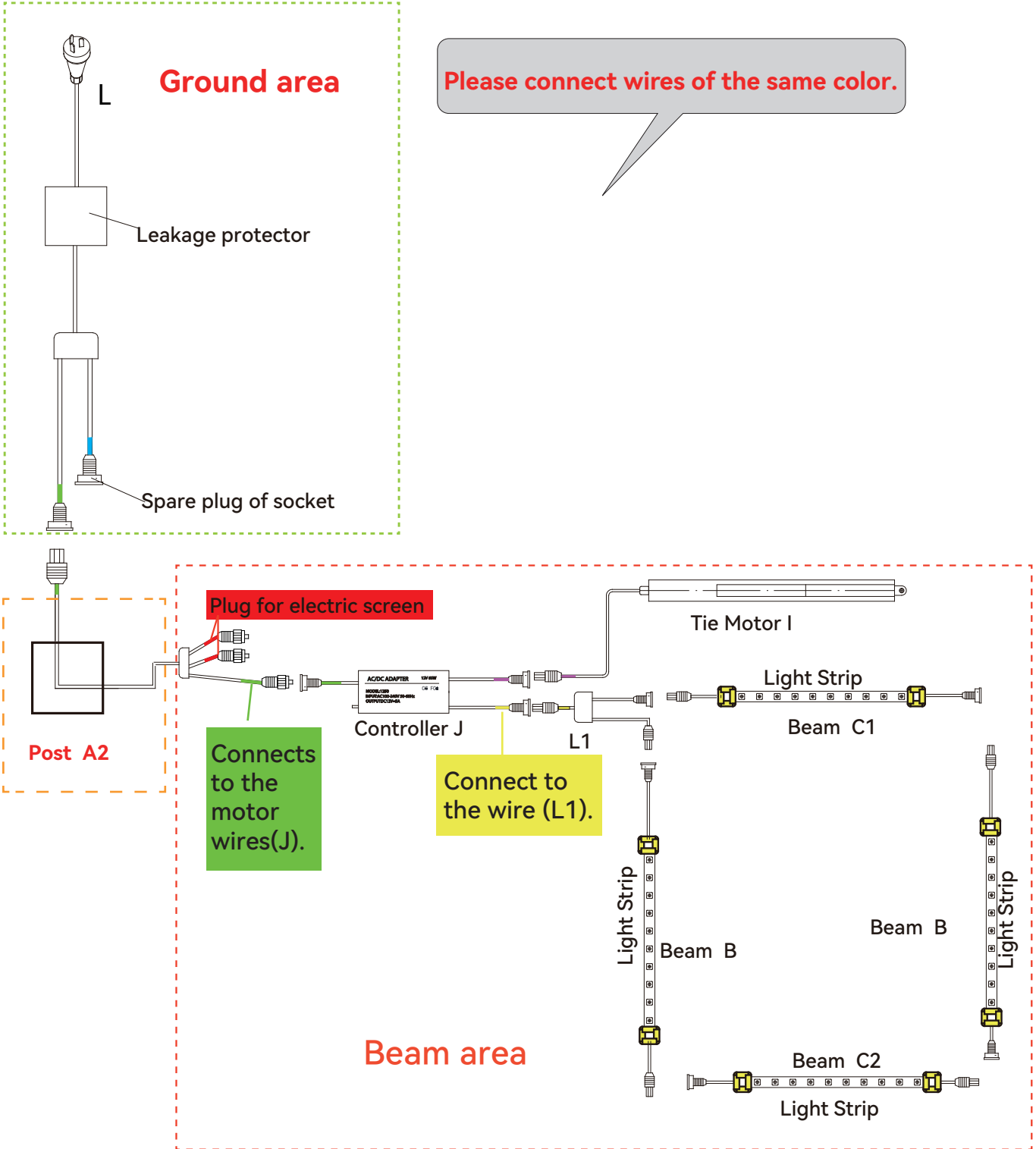
7 Measuring diagonal distances



IMPORTANT: After this step of assembly is completed, measure the distance between the inside of the post and the diagonal distance with a tolerance of $\pm 2\text{mm}$.

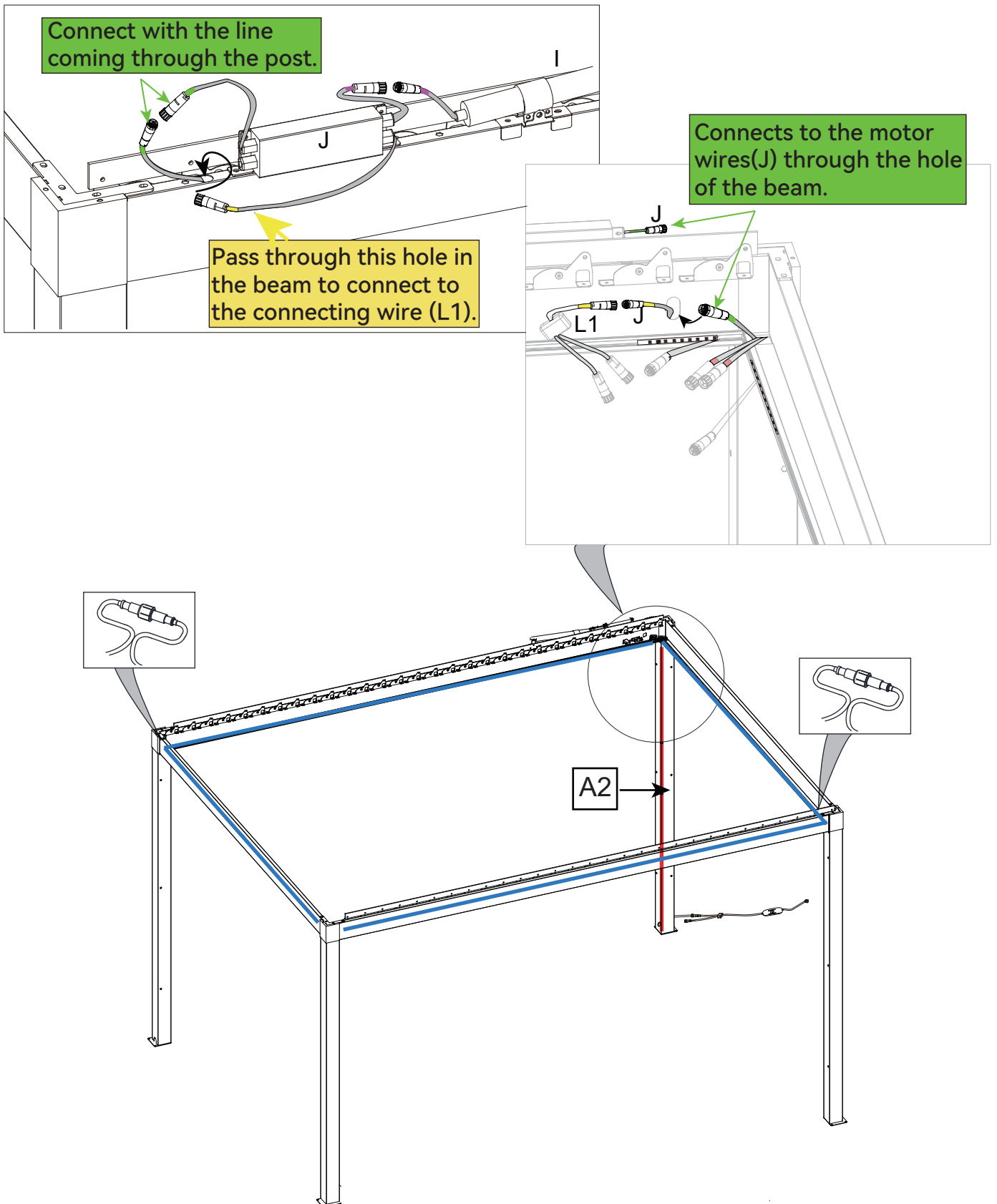
Installation Instructions

8 Layout of line



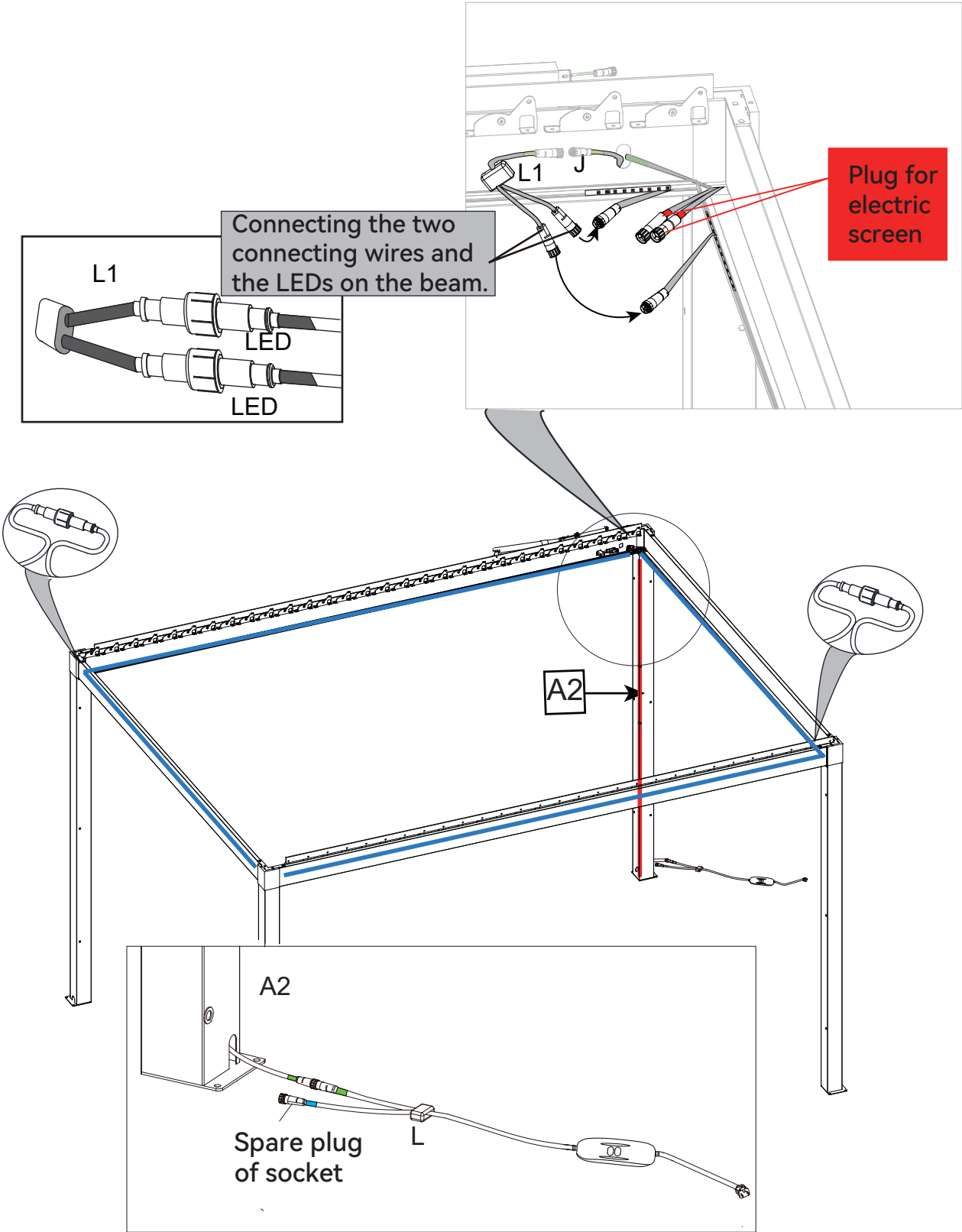
Installation Instructions

9 Layout of line



Installation Instructions

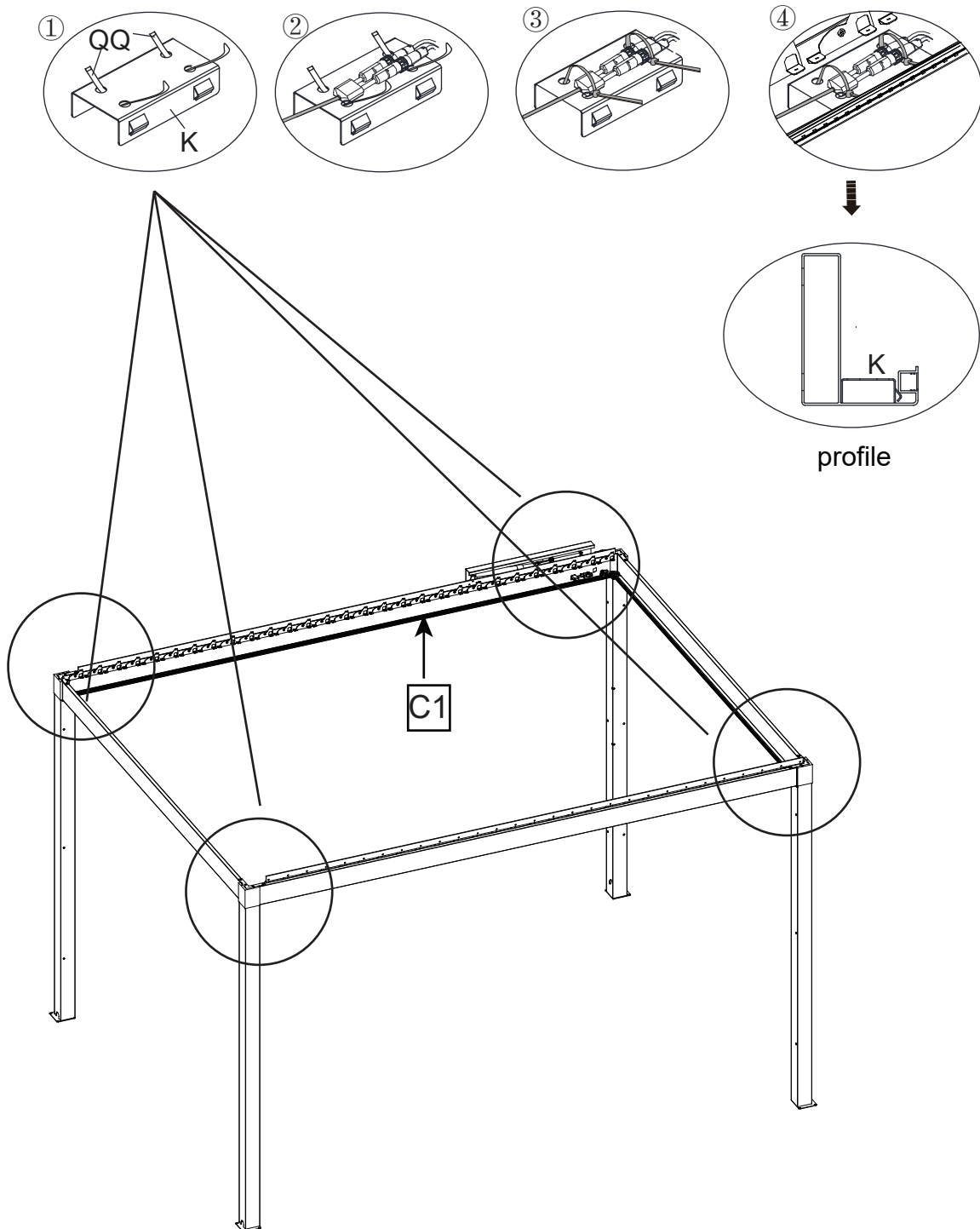
10 Layout of line



Installation Instructions

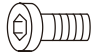
11 Installing the Bracket

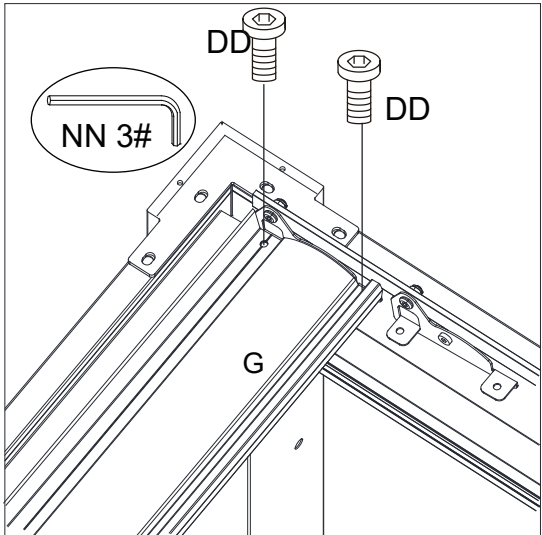
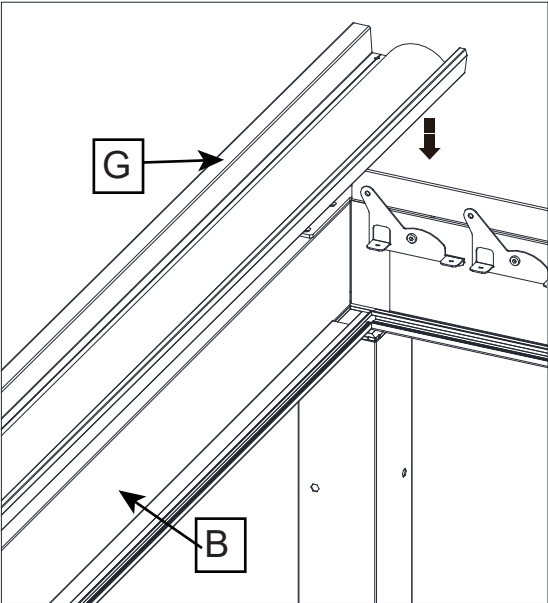
Place the terminals on the four corners on the brackets (K) and tie them together using the straps (QQ), then put the bracket (K) into the sink of the cross beam (B/C1/C2).



Installation Instructions

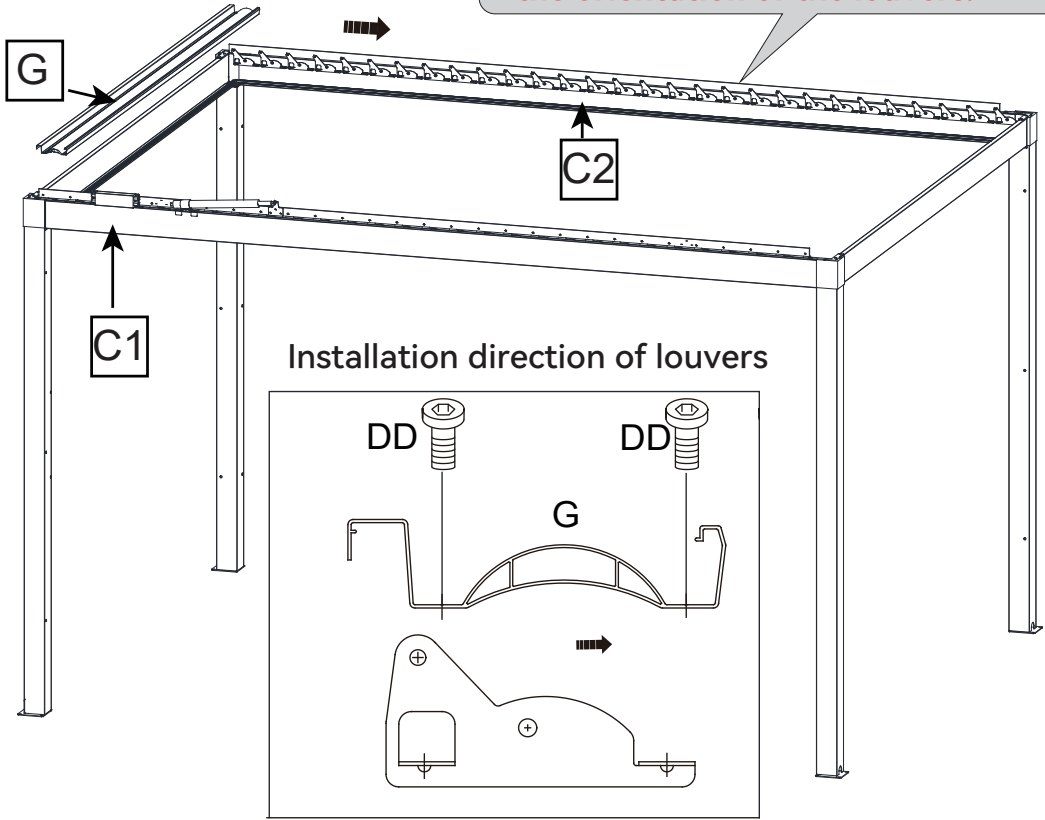
12 Installing the louvers

DD		x4
----	---	----



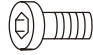
Tips: Align the holes for the two ends of the Louvers(G) first, then tighten the Bolts (DD) by using a wrench.

Tips: Please pay special attention that the Louvers (G) must be assembled from the end with power and pay attention to the orientation of the louvers.

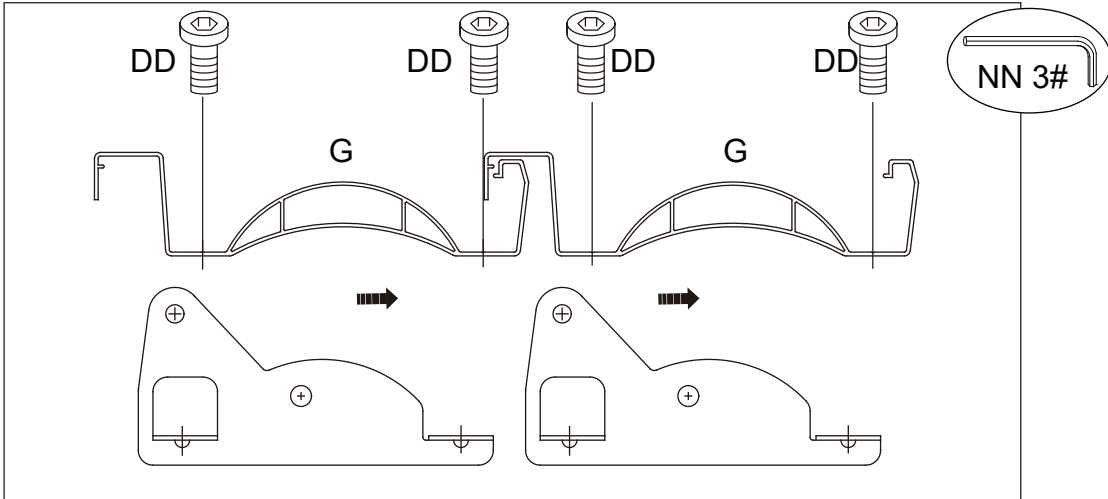


Installation Instructions

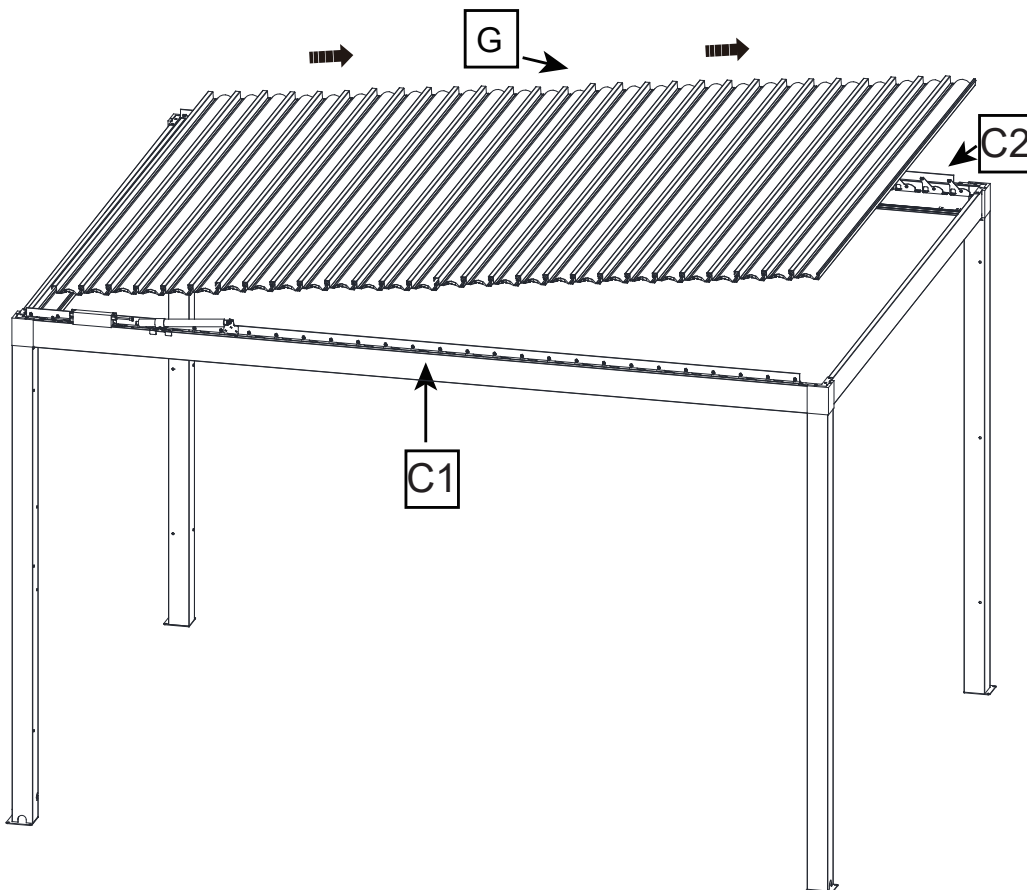
13 Installing the louvers

DD		x112
----	---	------

Installation direction of louvers

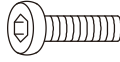



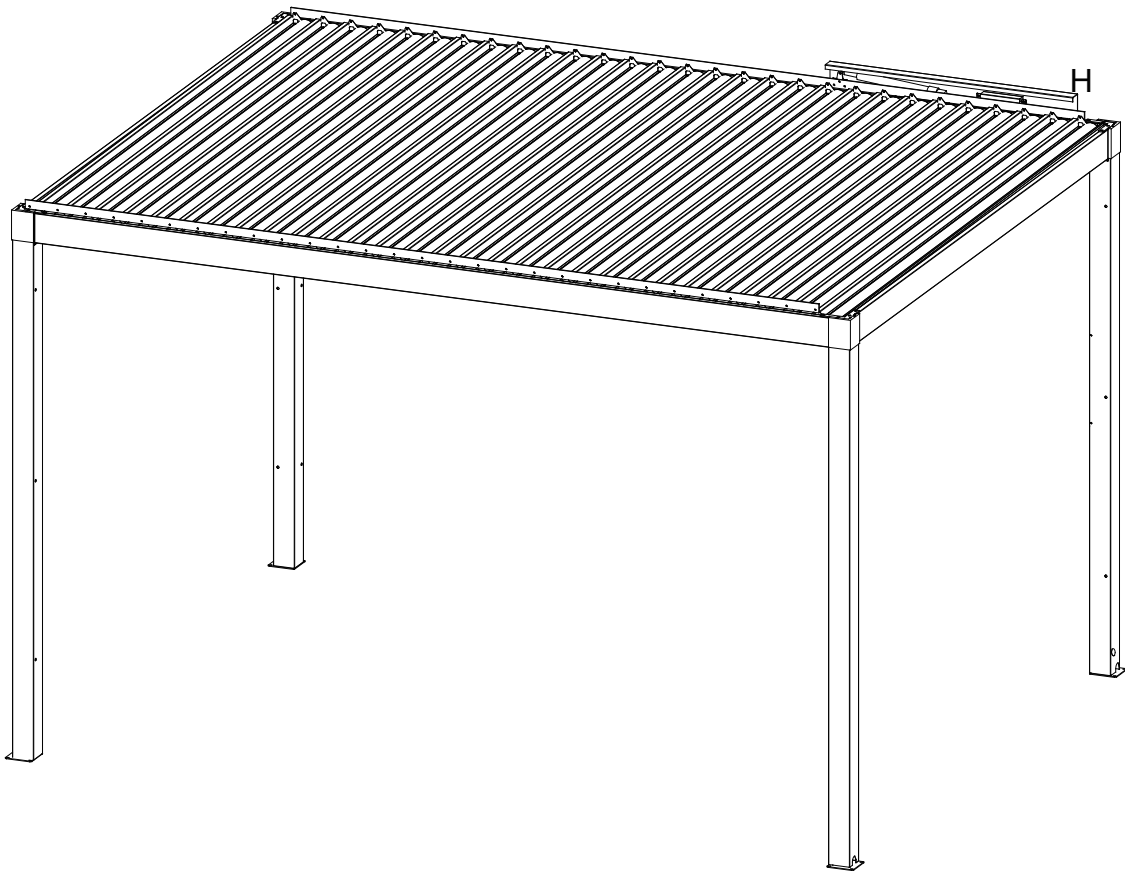
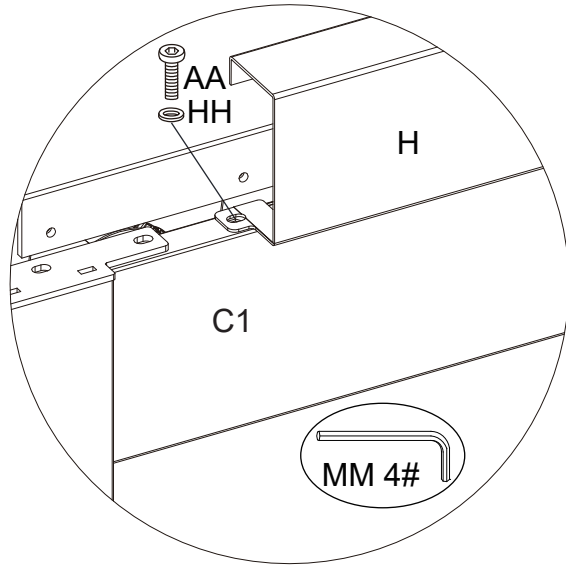
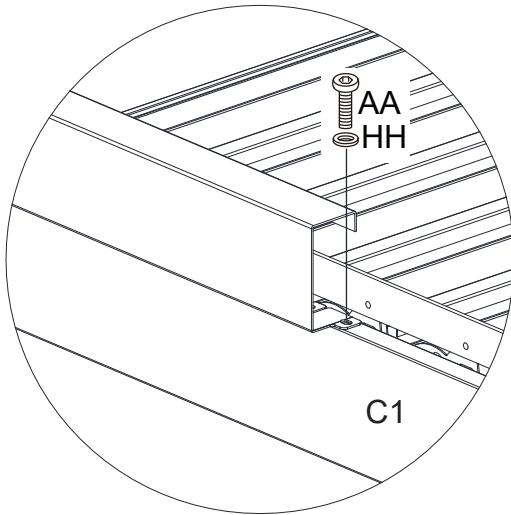
Tips: Align the holes for the two ends of the Louvers(G) first, then tighten the Bolts (DD) by using a power wrench.



Installation Instructions

14 Installing the Motor Cover

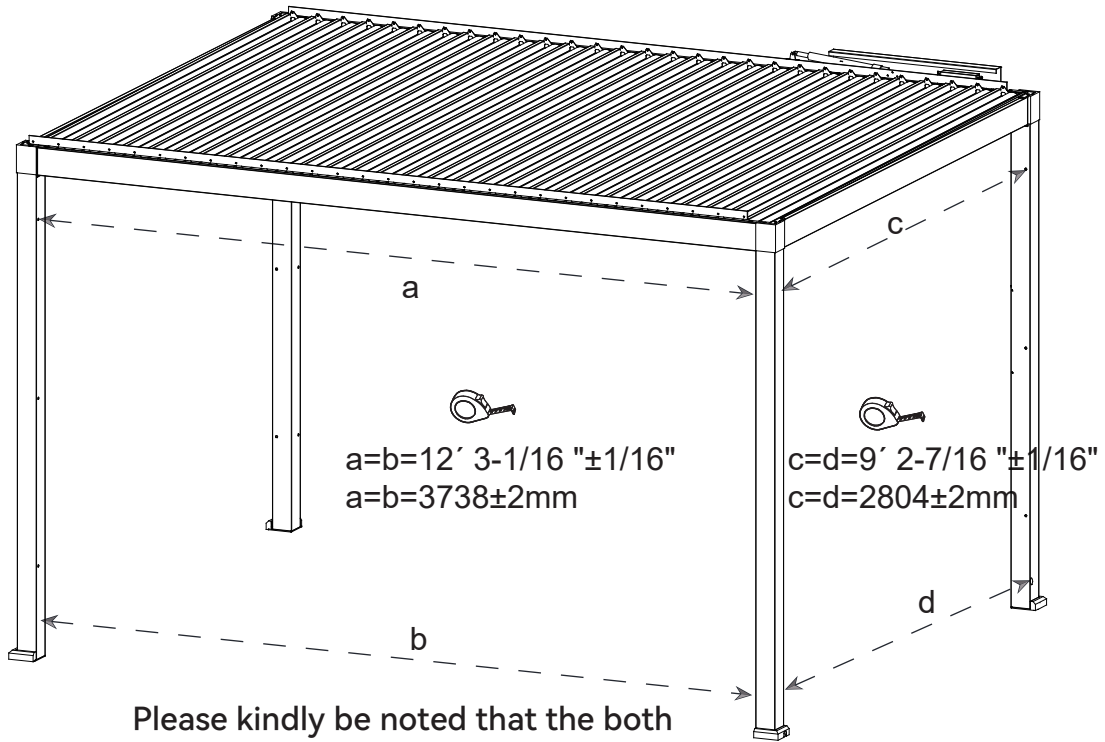
AA		x3
HH		x3



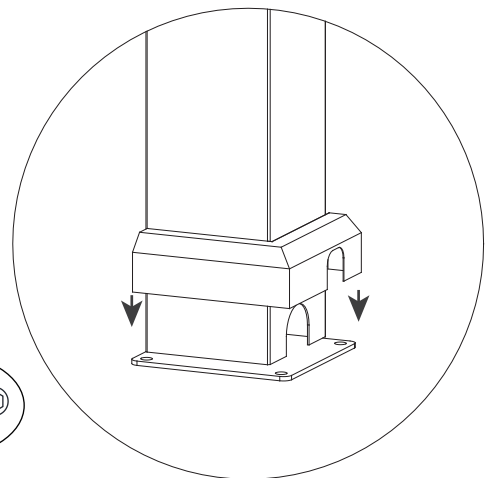
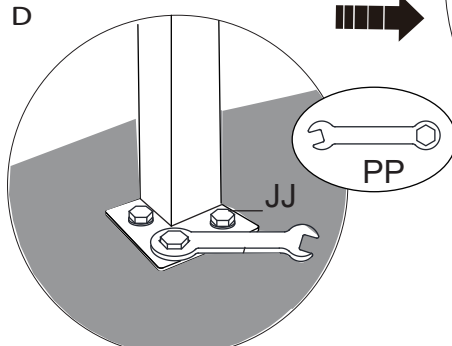
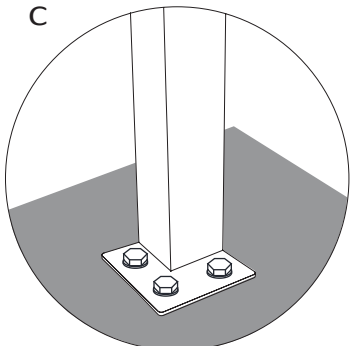
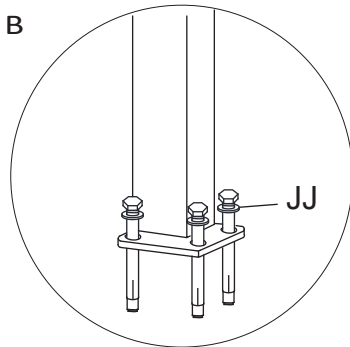
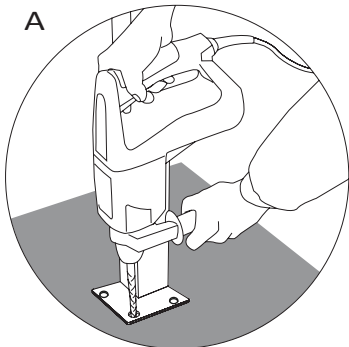
Installation Instructions

15 Installing the base cover

JJ		x12
----	--	-----




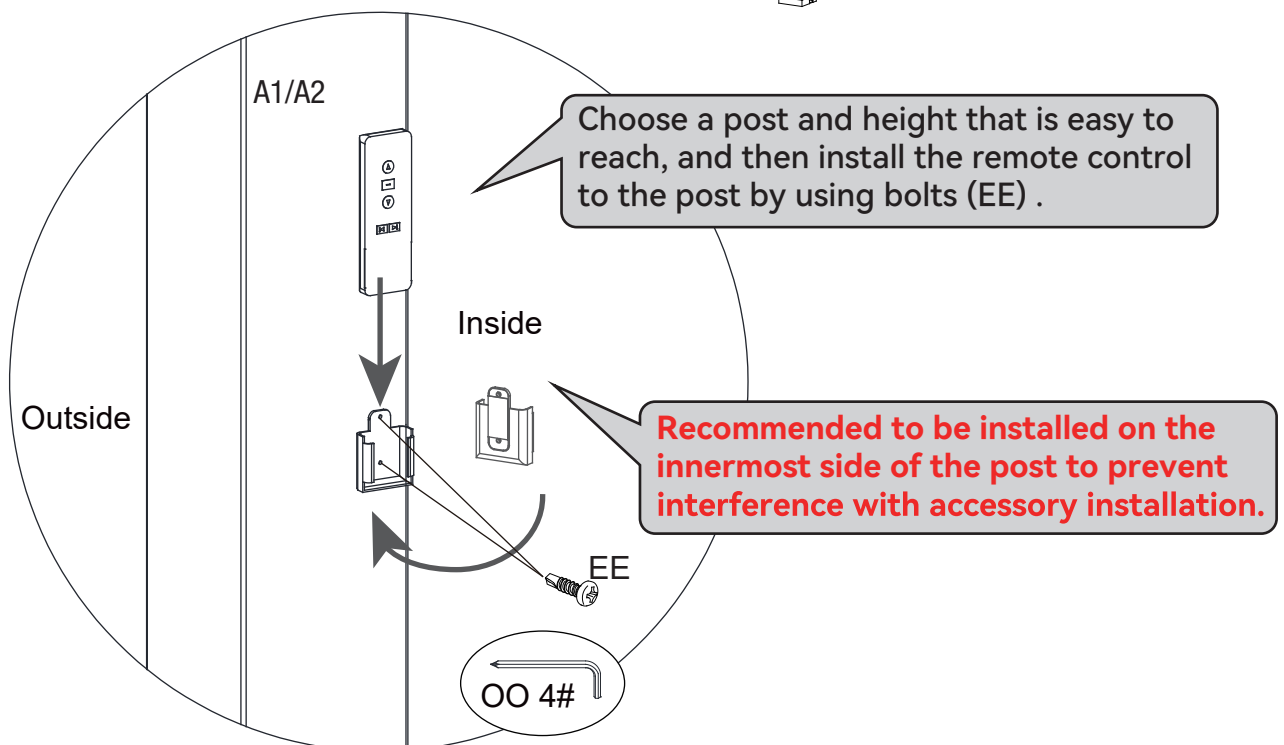
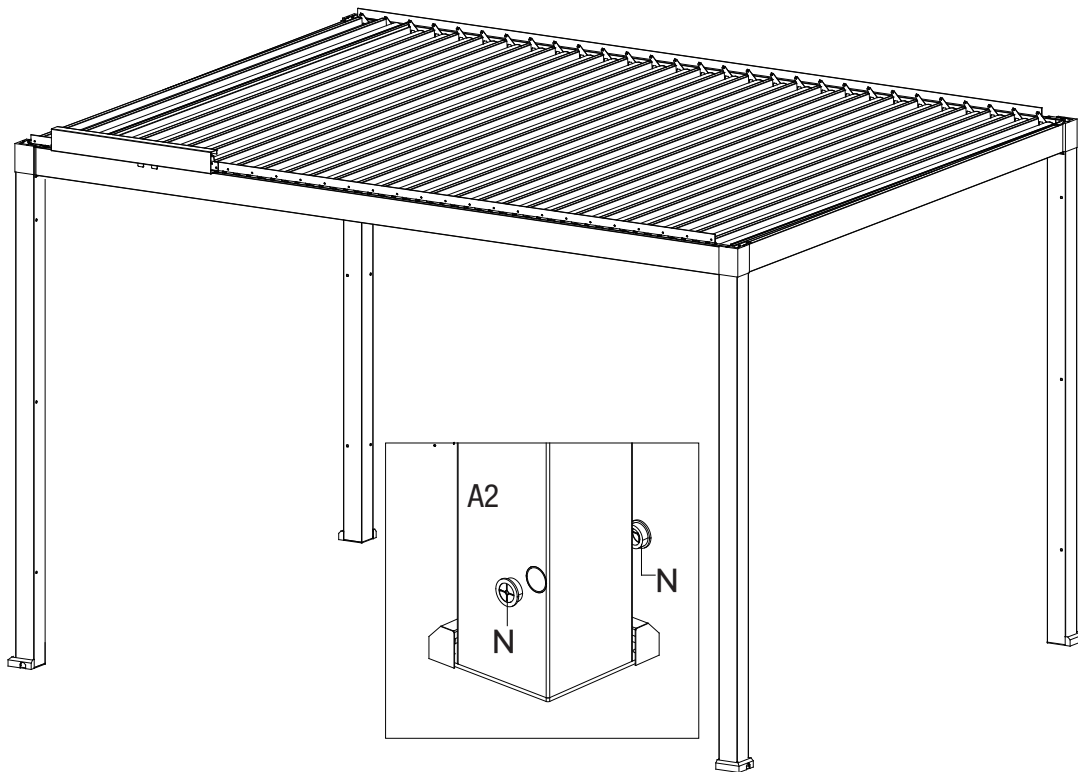
Please kindly be noted that the both a and b, c and d should be flushed and paralleled with each other after assembled, and the tolerance should be controlled within $\pm 2\text{mm}$.



Installation Instructions

16 Installing the Remote Control

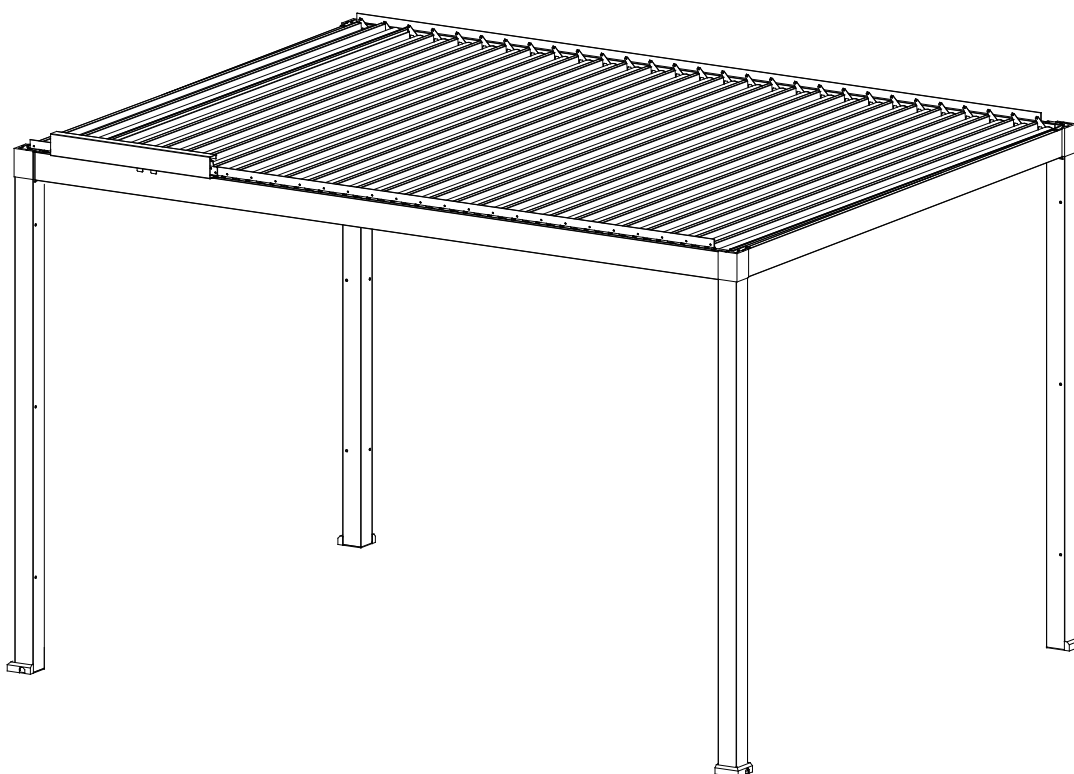
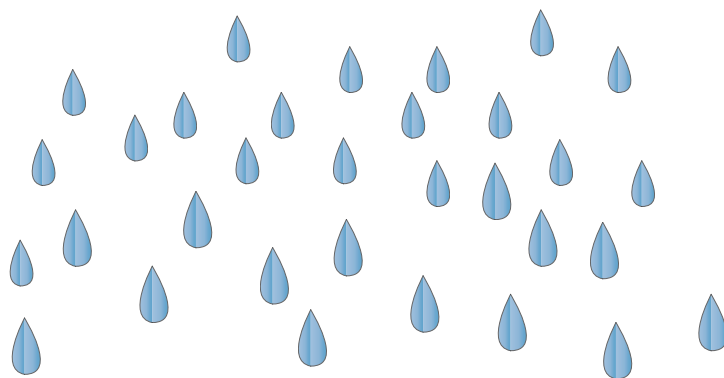
EE		x2
----	---	----



Warm Tips

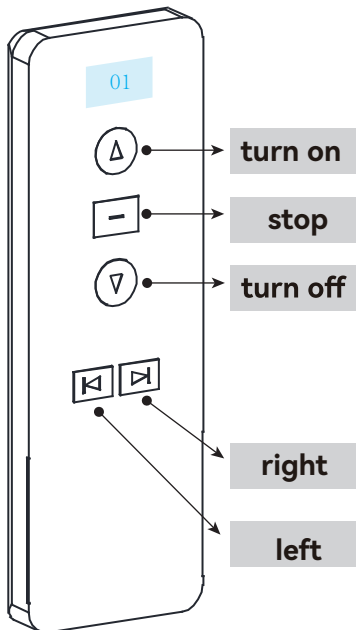
Please close the louvers when it rains.

Note: After the rain, please open the louvers slowly to prevent the residual rain water from splashing.



Remote Control Coding Instructions

Remote Control Operating Instructions



Channel Functions:





Channel 01: Controls the louvers.

Channel 02: Adjusts the LED light color and brightness.

Channel 03-08: Control Electric Screens 1-6 individually (up and down).

Channel 09: Reserved for other functions. It can be used to expand to additional powered accessories if needed.

Control of the Louver

Switch “” to channel “01” using the remote control. Long press “” about 3 seconds, the louver will open automatically, the “” to pause their movement, and the “” to close the louvers.


Control of the LED


Switch “” to channel “02” using the remote control.

Tap “” to turn on, Tap “” to turn off.

Long press “” about 6 seconds, the light color will change automatically.

Press “” to select the color you want.

Press and hold “” , can adjust the brightness, it will get brighter and brighter, release the button when adjust to the appropriate brightness.

Press and hold “” , can adjust the brightness, it will getting darker and darker, release the button when adjust to the appropriate brightness.

Lock and unlock the channel

Lock the channel (Only for channel 6 and channel 16):

Press 'STOP' + 'LEFT' / 'RIGHT' until the indicator light is on (about 3 seconds) to lock the current channel, after locking, the current channel is the maximum number of channels of this transmitter, and the channels after the current channel will not be available.

Unlock the channel:

Under any channel, press 'STOP' + 'LEFT' / 'RIGHT' again until the indicator light is on (about 3 seconds) to release the channel lock.

Remote Control Coding Instructions

Remote Control Pairing Instructions



The remote control has been pre-paired with the product.
You only need to follow the steps below if re-pairing is required.

Pairing Instructions:

Pairing the MOTOR: After connecting the external power supply, press the button “◀▶” to adjust to “01”, then press and hold the controller “MOTOR”, until the light flashes and then press the “Ⓐ” about 2s, when “MOTOR” light blinks a little bit, then it finishes the code pairing.

Pairing the LED: After connecting the external power supply, press the button “◀▶” to adjust to “02”, then press and hold the controller “LED”, until the light flashes and then press the “Ⓐ” about 2s, when “LED” light blinks a little bit, then it finishes the code pairing.

Instructions for Controller Pairing :



Please remove the red part cap.

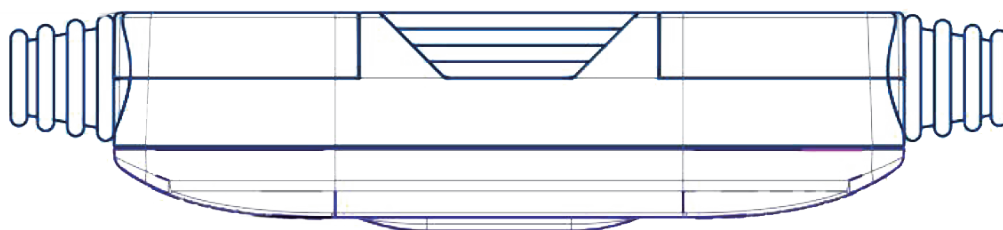
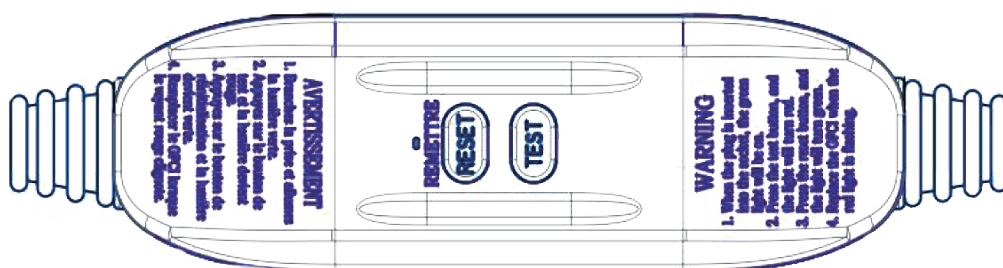


Please use the white wire tip to press the light.

Operating Instructions For Leakage Protectors

End of life and automatic monitoring:

Turn on the power supply green light on, normal output work. Press the “Test” button light to switch red, and the GFCI plug trip to stop working. Press the “Reset” button light to switch green, normal output work. When the red light flashes for the end of life, replace the GFCI plug.



Item Maintenance & Precautions

Maintenance

Cleaning Your Pergola

- Weekly: Wipe louver surfaces with a damp soft cloth to remove dust and pollen.
- Gently wipe surfaces with a damp soft sponge/cloth and a non-abrasive, water-based household solution (e.g., diluted neutral soap)
- Monthly: Inspect bolt tightness (especially posts and beam connections) – retighten if loose (comply with torque specs).
- Seasonally:
 - Spring: Clean gutters and drainage channels (remove leaves/debris) to prevent clogging (critical for rainy seasons in the Southeast/U.S. West Coast).
 - Fall: Clear fallen leaves from louvers before winter; check for corrosion (common in coastal areas – touch up with rust-resistant paint if needed).
 - Winter: For regions with heavy snow (Northeast/Midwest), open louvers to 90° during snowfall; remove snow with a plastic rake (avoid metal tools).
- Avoid cleaning with a high-pressure device (e.g., Karcher), detergents (bleach, vinegar, etc.) or abrasive brushes
- Never use: Ammonia, chlorinated products (e.g., bleach), or corrosive substances—these may damage powder coatings or fabrics

Regular Cleaning of Louvres & Gutters

- Switch off power before cleaning and never touch moving louvres during operation
- Gutters: Check and clear leaves, needles, or debris at least twice a year to maintain drainage efficiency
 - Louvres: Remove dry debris manually (e.g., fingers) or with a vacuum cleaner
- Wait 2 hours after rain before opening louvres to prevent water dripping. Gradual opening: Tilt to 20°, wait 20 sec → 45°, wait 20 sec → 90°, wait 20 sec

Removing Snow & Ice from Louvred Roof

Pre-winter prep:

- Conduct pre-season checks to ensure pergola is winter-ready

Snow/storm response:

- Immediately open louvres to 90° during heavy snow, hail, or winds exceeding structural limits

Snow removal steps:

- Use a wooden/plastic rake to gently pull snow to the ground
- Clear snow around the pergola to prevent meltwater pooling

Ice management:

- Never use gravel, salt, or chemicals on aluminium surfaces—allow ice to thaw naturally
- Avoid mechanical scraping to protect louvres, motors, and mechanisms

Dismounting

If you want to disassemble the Pergola, please follow the following process

Attention! At least Four people are needed for this step:

- Keep the Pergola louvers open before you begin with dismantling. Bind the Louvers of the pergola together to avoid unintended unfolding. This might cause damage and injury
 - Follow the mounting instructions in reversed order to dismantle the Pergola
 - Make sure that drilling holes in the wall will be sealed professional
 - Attention! Safety hints and instructions have to be followed for dismantling as well
-

Item Maintenance & Precautions

Storage

When you do not want to use the Pergola for a longer period of time it is recommended to take the Pergola out of the brackets and store it.

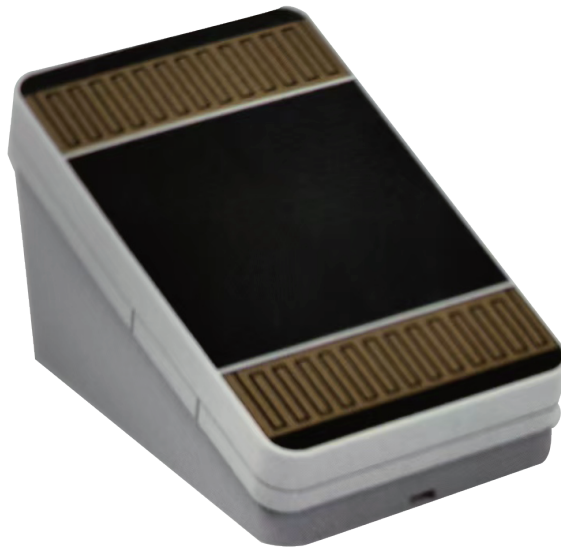
- Make sure that the frame is dry completely before storing
- Store the Pergola at a dry and safe place that is not reachable for children

Disposal

- Do not dispose of this pergola with household waste. Follow local recycling regulations (EPA Resource Conservation and Recovery Act).
- Aluminum components (posts, beams, louvers): Recycle at local scrap metal facilities (aluminum is 100% recyclable).
- Plastic components (covers, brackets): Recycle per local plastic recycling programs (check resin codes on products).
- Electrical components (motor, controller, wires): Dispose at e-waste recycling centers (complies with EPA e-waste rules).

Assembly Manual

Before installation, please read the assembly instructions carefully.



FOR SKUS

ODPJ01TS001

EN:We're here for you!

Please contact our customer care team before returning. We'll make it right for you.

ES:Estamos aqui para usted

Por favor, pongase en contacto con nuestro equipo de atención al cliente antes de regresar,
Lo arreglaremos por ti.

✉ Service Contact: contactus24service@gmail.com

☎ Phone Number: 951-213-4742

✉ Contacto de servicio: contactus24service@gmail.com

☎ Número de teléfono: 951-213-4742

WARNING!

EN: For your safety and to ensure proper use, please follow the provided instructions carefully. Incorrect assembly or handling may cause damage to the product or result in injury.

ES: Para su seguridad y para garantizar el uso correcto, siga las instrucciones proporcionadas cuidadosamente. El montaje o manejo incorrectos pueden causar daños al producto o resultar en lesiones.



ASSEMBLY INSTRUCTIONS



BEFORE YOU START

- En: Read the instructions thoroughly
ES: Lea las instrucciones a fondo
- EN: Confirm parts and hardware.
ES: Confirme las piezas y el hardware.
- EN: A mild odor may occur due to packaging -it will fade after a few days.
ES: Un olor suave puede ocurrir debido al envasado - se desvanecerá después de unos días.



SAFETY TIPS



EN: Avoid over-tightening the screws.
ES: Evite apretar demasiado los tornillos.



EN: Estimated Time **15minutes**
ES: Tiempo estimado **15minutes**



EN: Difficulty
ES: Dificultad
★☆☆☆☆



EN: Installers Required **1 people**
ES: Instaladores Requeridos **1 persona**

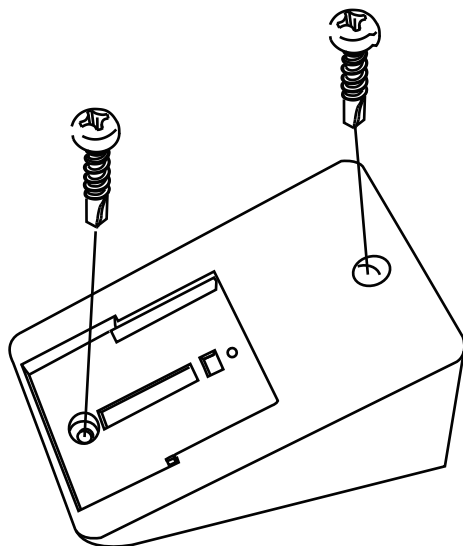
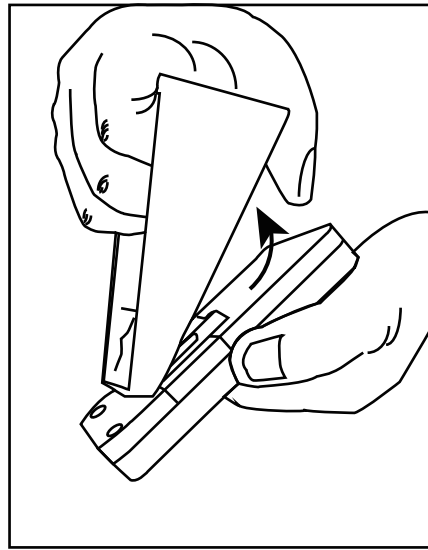
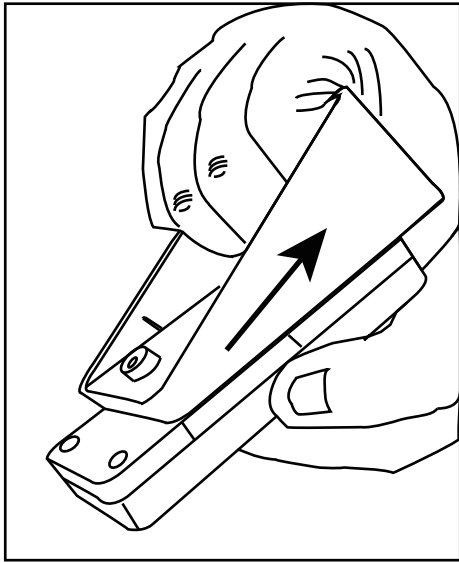
Product Features

- Dual rain sensor panels ensure more stable and reliable rain detection;
- Sensor panels feature thickened gold-plating for enhanced oxidation resistance;
- Symmetrical dual-panel design for improved aesthetics;
- 18-degree tilt angle facilitates water drainage and keeps panels dry;
- UV-resistant housing suitable for outdoor use;
- Utilizes monocrystalline silicon solar cell chips for higher charging efficiency;
- Ideal for skylights and lift windows.

Product Specifications

- Transmission Frequency: 433.92 MHz
- Solar Charging Power: 0.5W
- Battery Capacity: 250 mAh
- Operating Temperature: -20°C to +65°C
- Product Dimensions: 99 × 60 × 54 mm

Installation Instructions

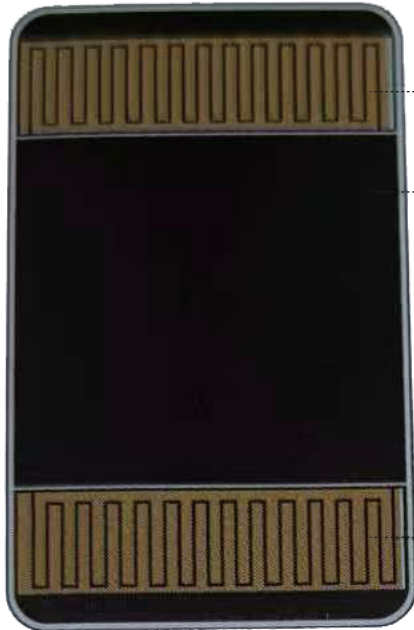


Pull the sensor out of the base bracket, then secure the base bracket to the edge of the tent crossbeam using self-tapping screws.

Special Installation Location Notes

The product must be installed in a location exposed to sunlight. Installation in shaded areas is prohibited, as this may cause the rain sensor to malfunction due to insufficient battery charge from the solar panel.

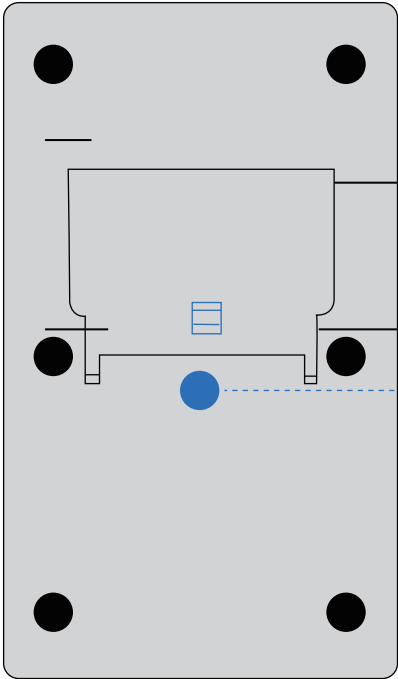
Product Description



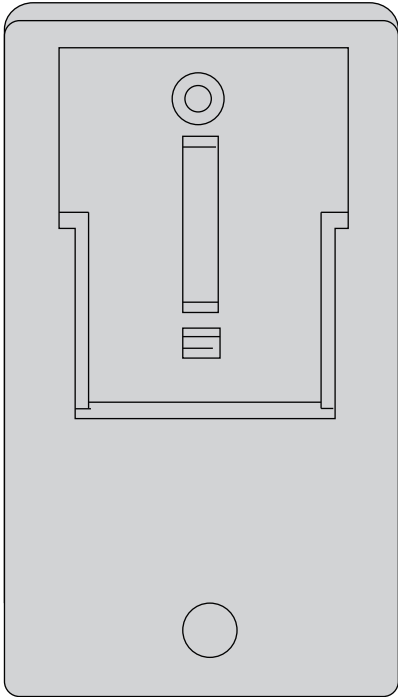
Rain Sensor

Solar energy

Rain Sensor



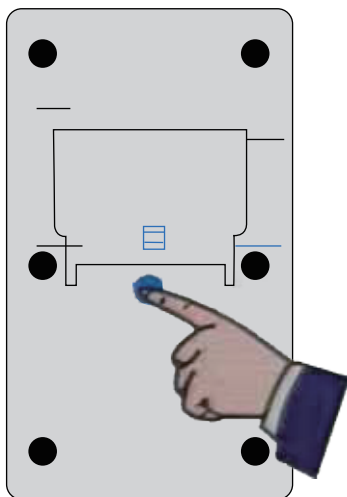
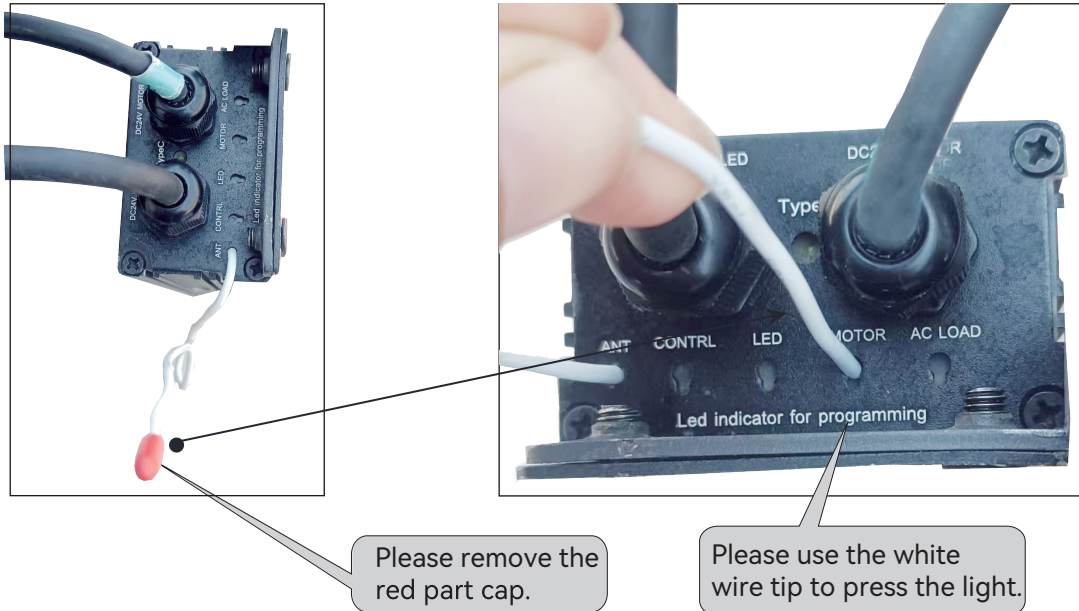
Pairing Key
(Indicator Light)



Mounting bracket

Pairing operation

Instructions for Controller Pairing :



Remove the cap from the red section. Press and hold the white wire tip against the light for 2-3 seconds. When the light flashes, the controller enters pairing mode. Press the “Pairing Button” on the rain sensor with your finger to complete pairing. Note: After successful pairing, the system will automatically trigger window closure when it rains.