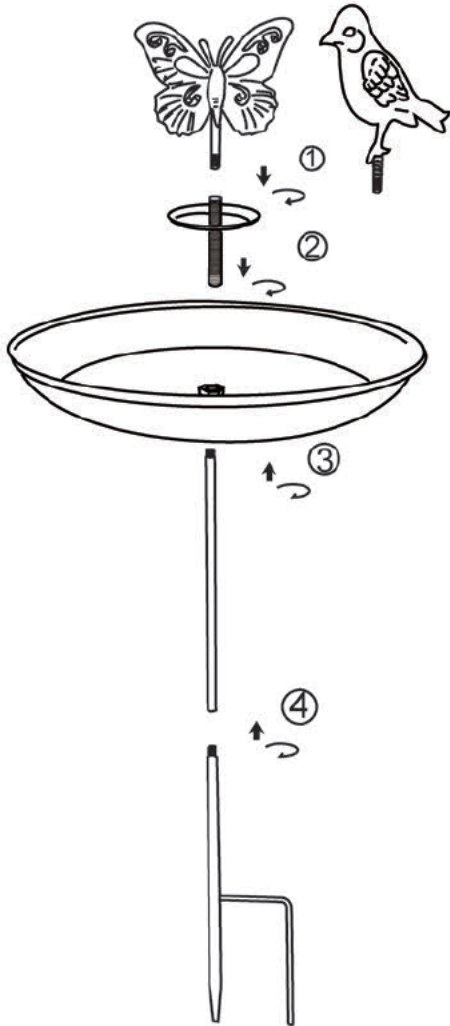


HOW TO STAKE:



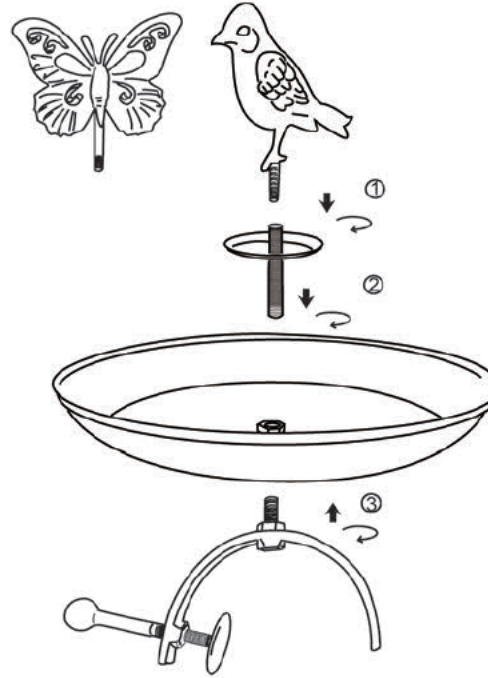
Package Includes:

- 1 Bird Decor Topper (A)
- 1 Butterfly Decor Topper (A)
- 1 Small Plate Connector (B)
- 1 Bird Bath Basin (C)
- 1 Connector Pole (D)
- 1 Ground Stake (E)
- 1 Adjustable Screw Clamp Bracket (F)

How to Stake

1. Screw the small plate connector (B) into the the bird bath basin (C) with both rims of the plate facing upward,
2. Attach the connector pole (D) to the bottom of the basin (C),
3. Attach the ground stake (E) to the open end of the connector pole (D),
4. Insert either(bird/butterfly) decor topper (A) into the opening of the small plate connector (B),
5. Stake your bird bath at least 2-3" into the ground,
6. Add water and enjoy.

HOW TO MOUNT:



How to Mount

1. Screw the small plate connector (B) into the the bird bath basin (C) with both rims of the plate facing upward,
2. Attach the adjustable screw clamp bracket (F) to the bottom of the bird bath basin (C),
3. Attach the opening of the clamp (F) to the deck or handrail and screw until the unit is securely mounted to the desired location,
4. Insert either(bird/butterfly) decor topper (A) into the opening of the small plate connector (B),
5. Add water and enjoy.

FEATURES:

Made of long-lasting solid metal.

Adjustable screw clamp bracket fits most of the railings.

Spike directly into garden beds and borders, the Garden Stake has two prongs for increased stability.

Wrought Iron Bracket has a Black powder coated finish for maximum weather resistance.