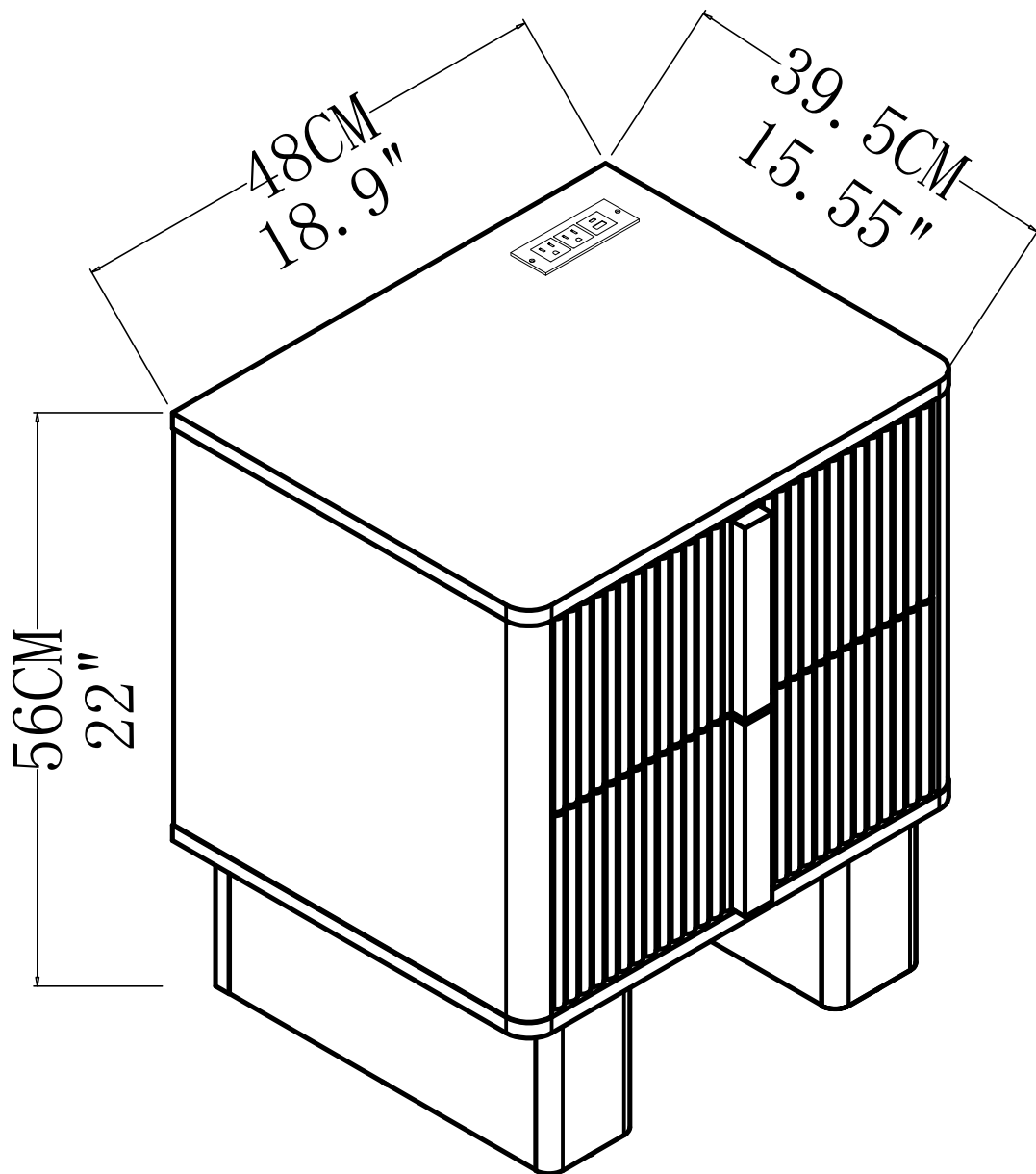
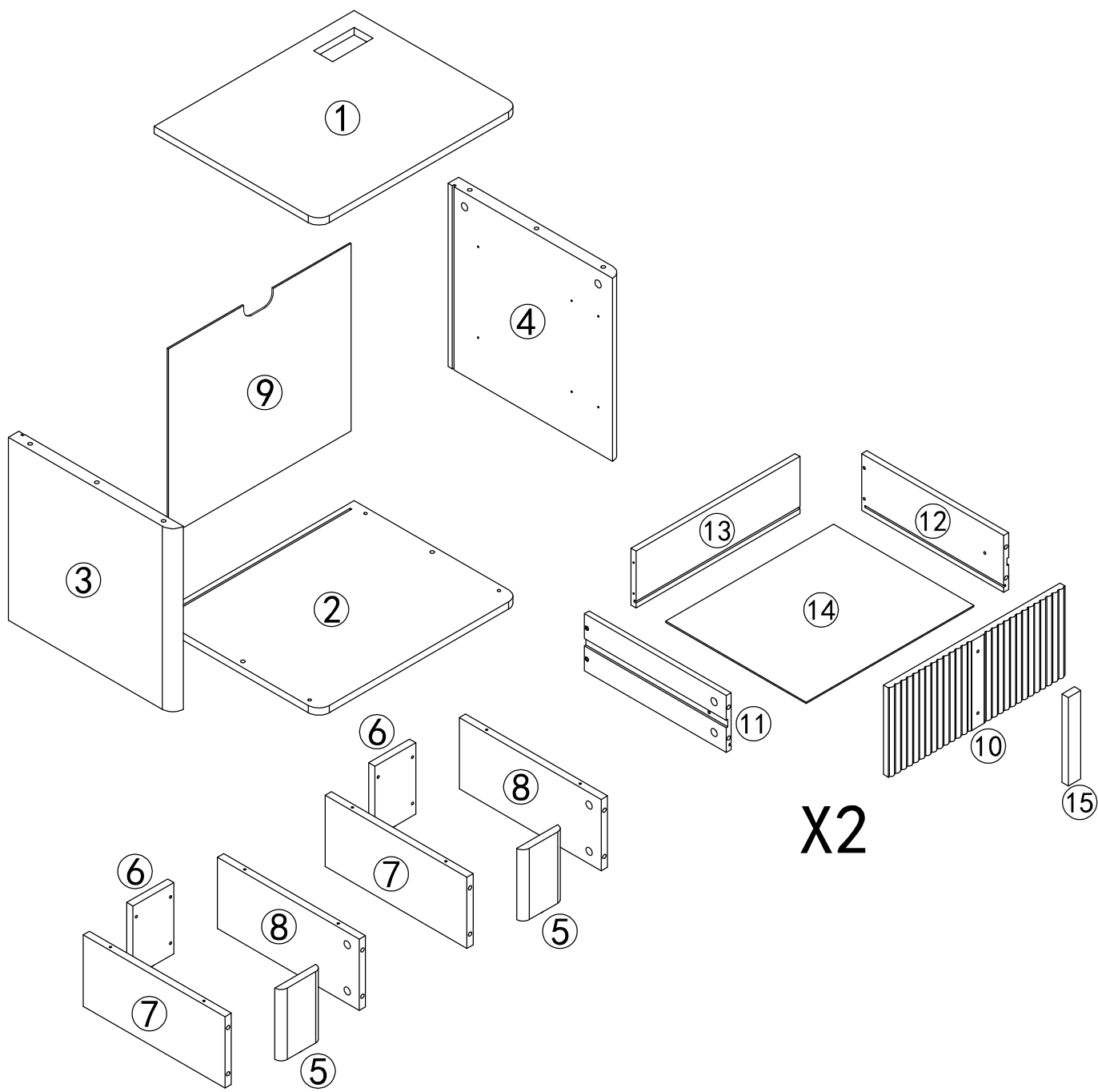


Assembly Instruction of (Cabinet)

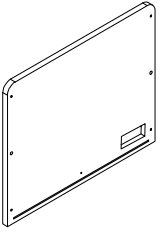
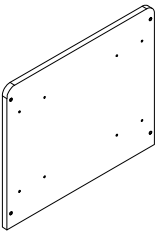
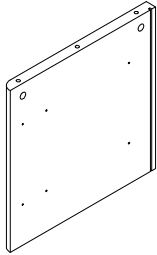
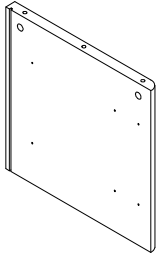
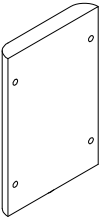
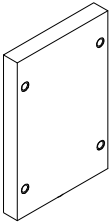
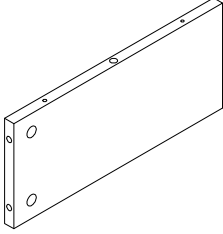
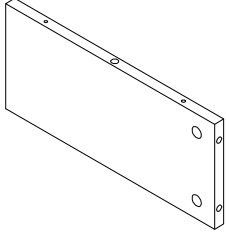
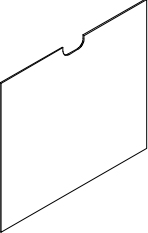
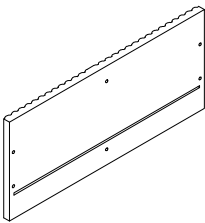
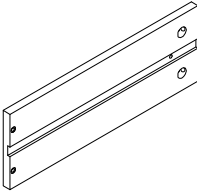
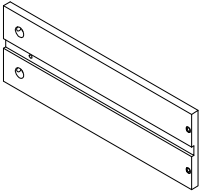
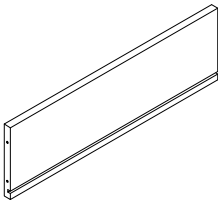
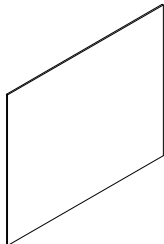





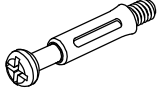
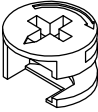
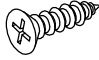

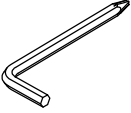
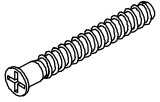
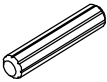
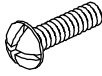
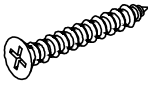
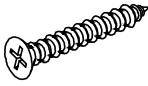
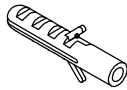
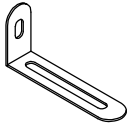


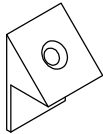
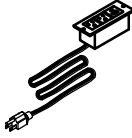
⚠ Caution

Please ensure all parts are included. Most board components are labeled or stamped on the raw edges. If you find any damaged or missing parts, feel free to contact us for a free replacement.

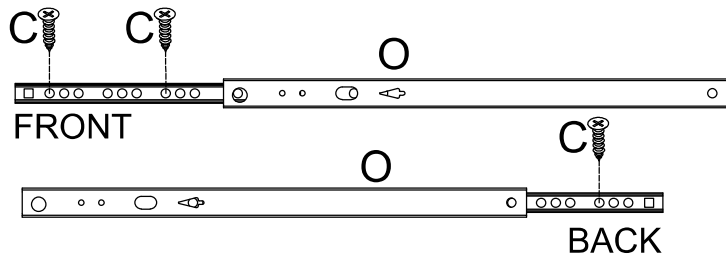
Parts List

			
① 1PC	② 1PC	③ 1PC	④ 1PC
			
⑤ 2PCS	⑥ 2PCS	⑦ 2PCS	⑧ 2PCS
			
⑨ 1PC	⑩ 2PCS	⑪ 2PCS	⑫ 2PCS
			
⑬ 2PCS	⑭ 2PCS	⑮ 2PCS	

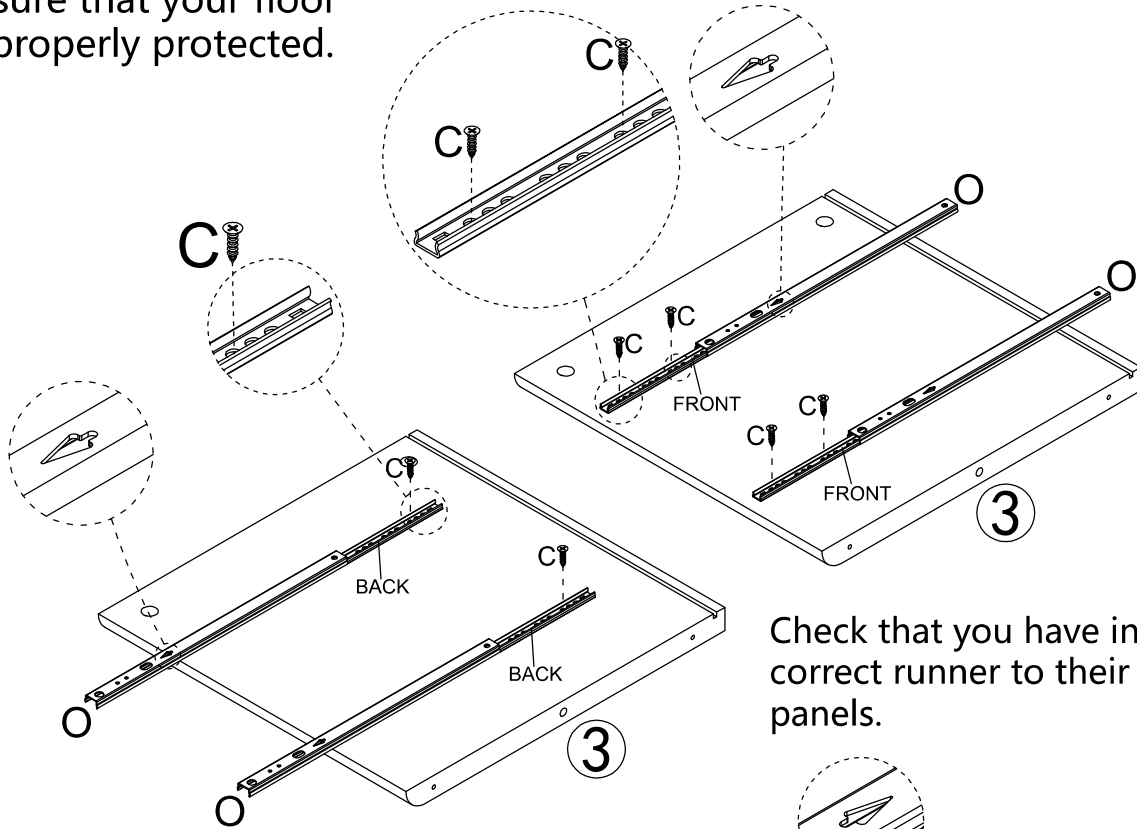
Hardware List

A	B	C	D	E	F
		 Silver Color M3.5x14mm	 Black Color M3x16mm		
M6x35mm				4mm	M5x40mm
20PCS	20PCS	14PCS	4PCS	1PC	20PCS
G	H	I	J	K	M
	 M4x10mm	 M4x25mm	 M4x35mm		
8PCS	4PCS	4PCS	9PCS	1PC	1PC
N	O	P	Q		
 M4x12mm					
1PC	4PCS	4PCS	1PC		

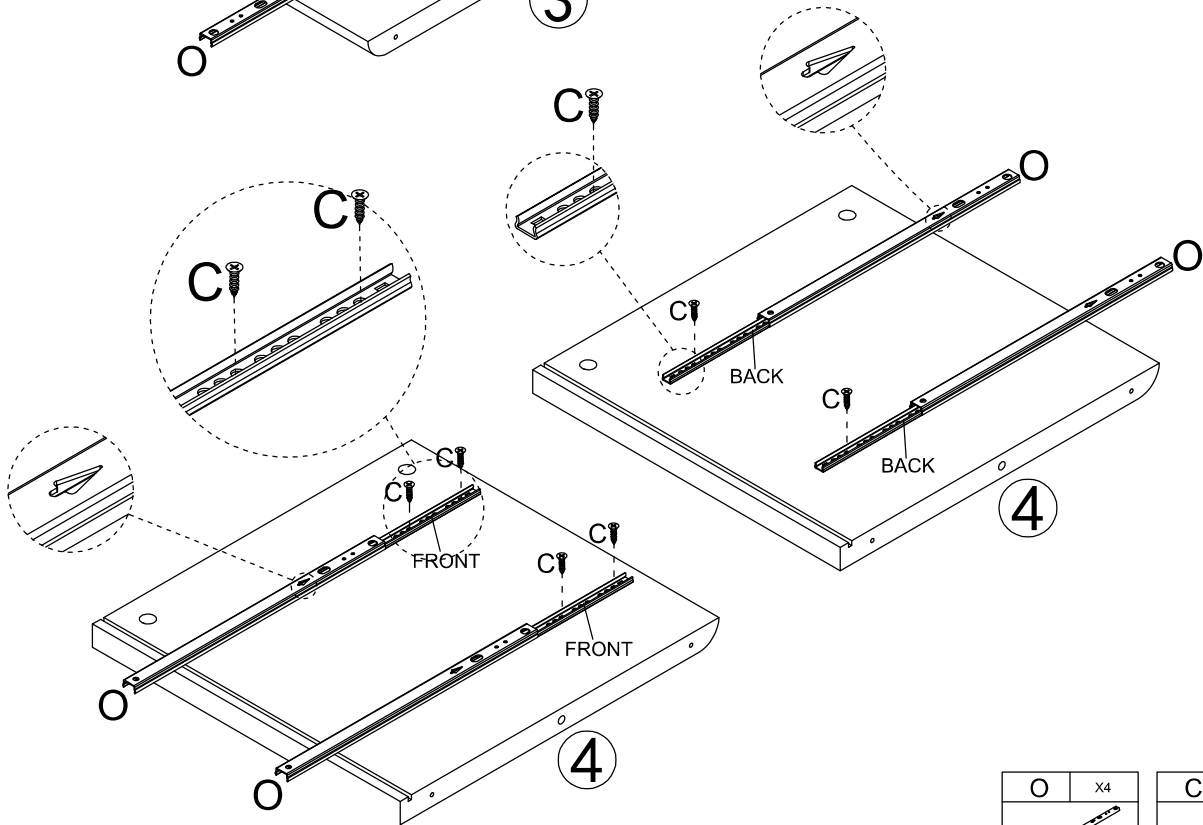
STEP 1

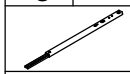
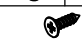


Ensure that your floor is properly protected.



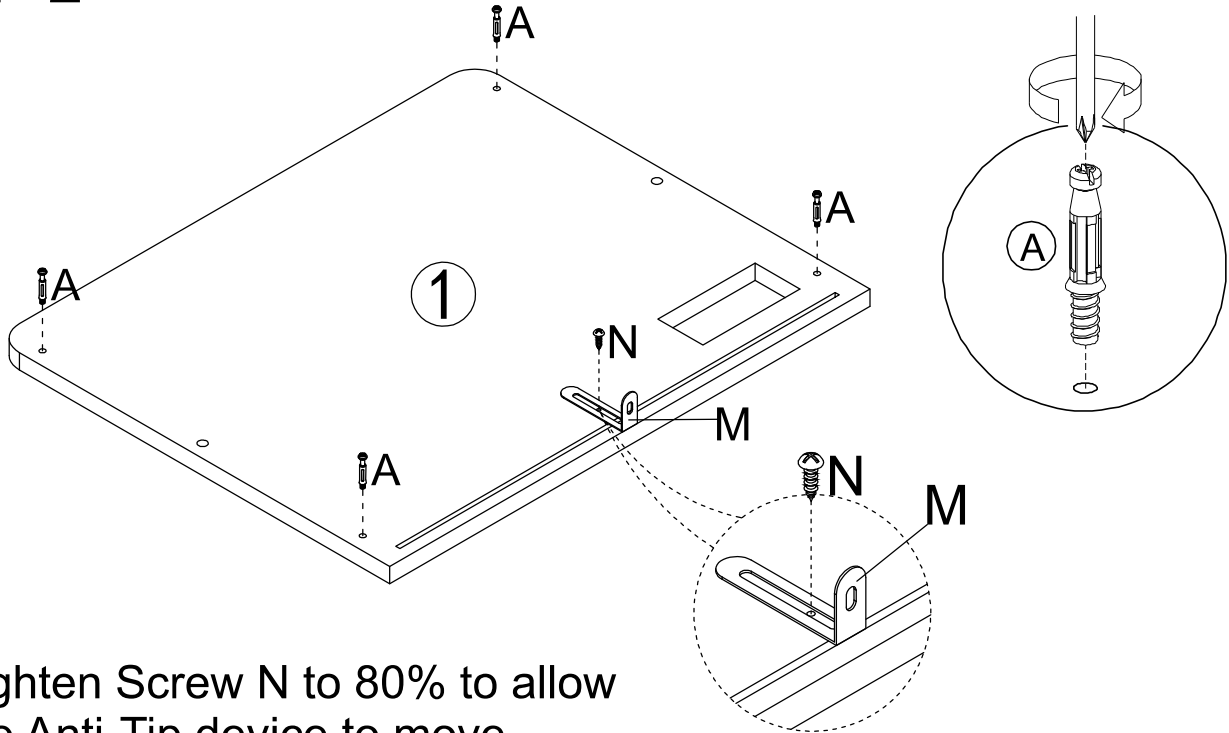
Check that you have installed the correct runner to their respective panels.






O	X4	C	X12
		 Silver color M3.5x14mm	

STEP 2

Ensure that your floor is properly protected.

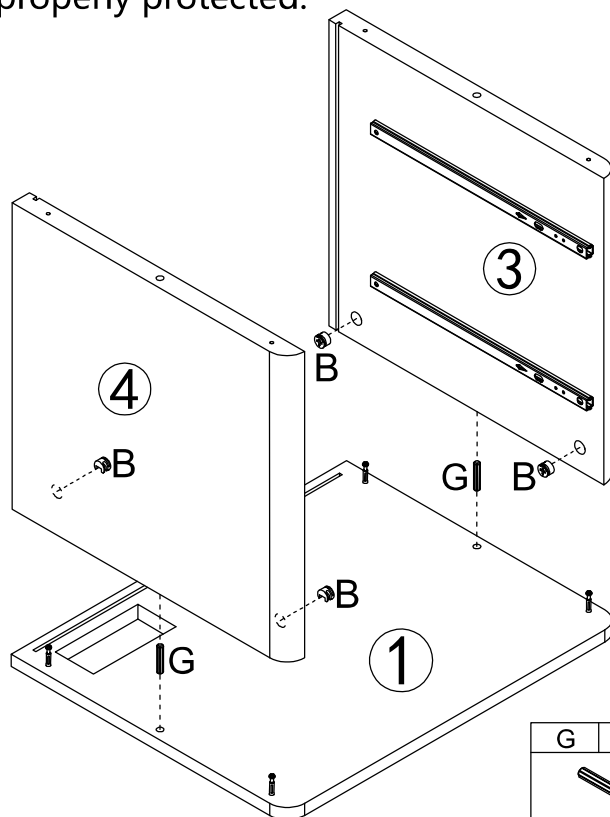
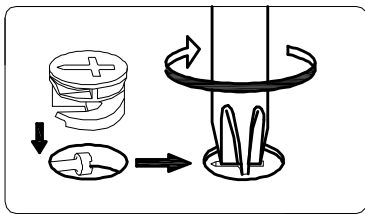


Tighten Screw N to 80% to allow the Anti-Tip device to move horizontally on board #1.



A	x4	M	x1	N	x1
					
M6x35mm				M4x12mm	

STEP 3

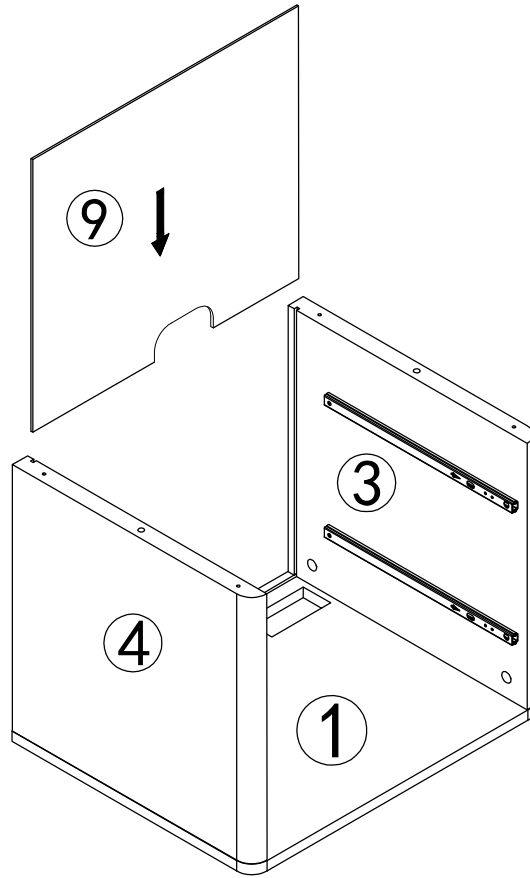
Ensure that your floor is properly protected.



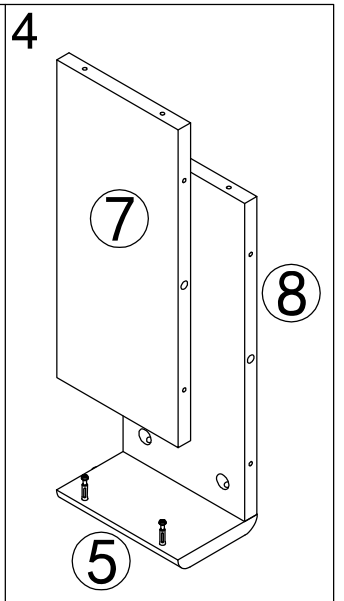
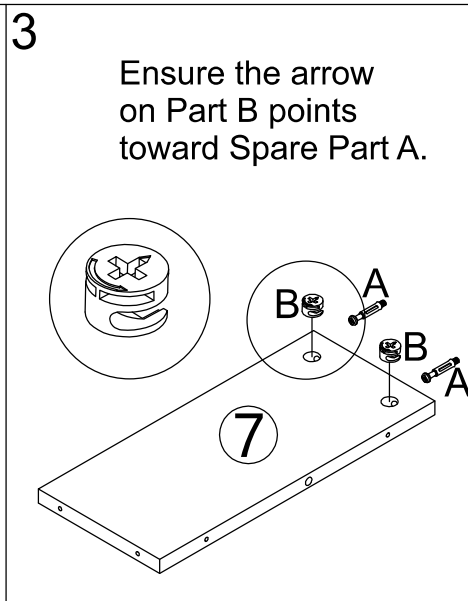
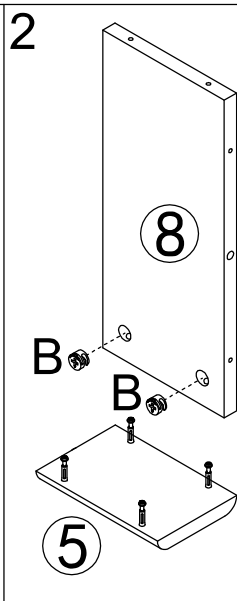
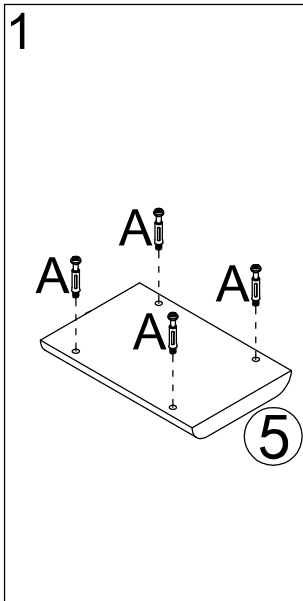
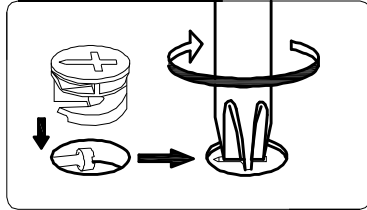
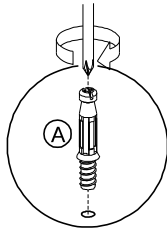
Attach panel (3) and (4) to panel (1) by inserting and tightening Camlock (B). Check Camlock (B) orientation before installing.

G	x2	B	x4
			


STEP 4




STEP 5

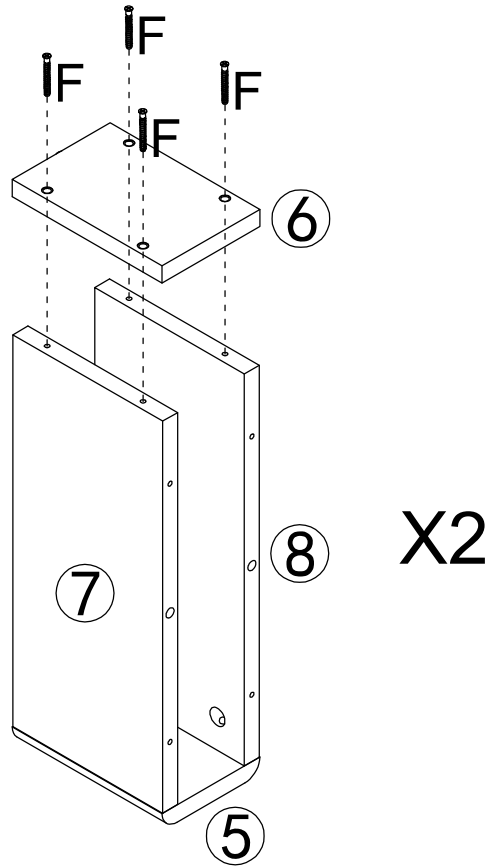



X2

A	x8
	
M6x35mm	

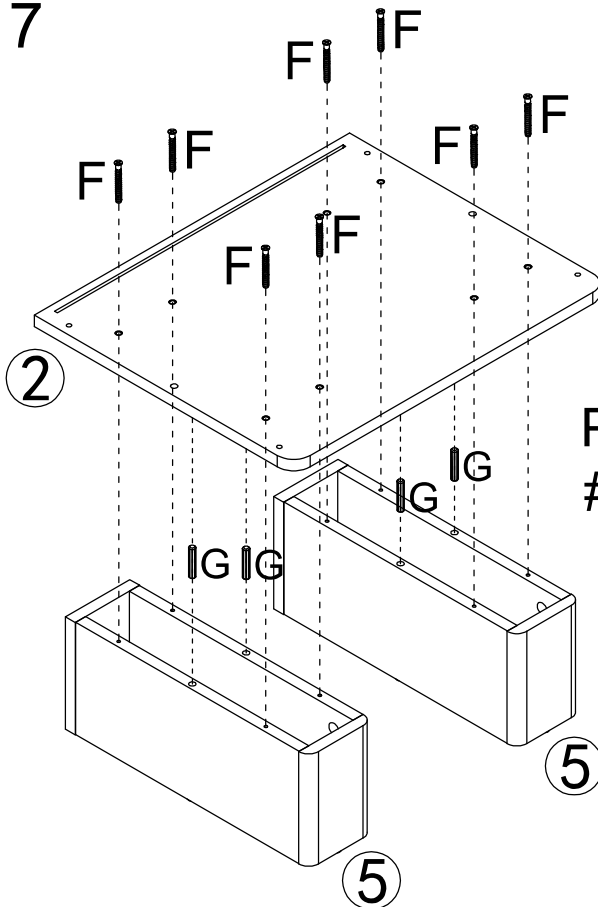
B	x8
	

STEP 6





F	X8
	
M5x40mm	

STEP 7

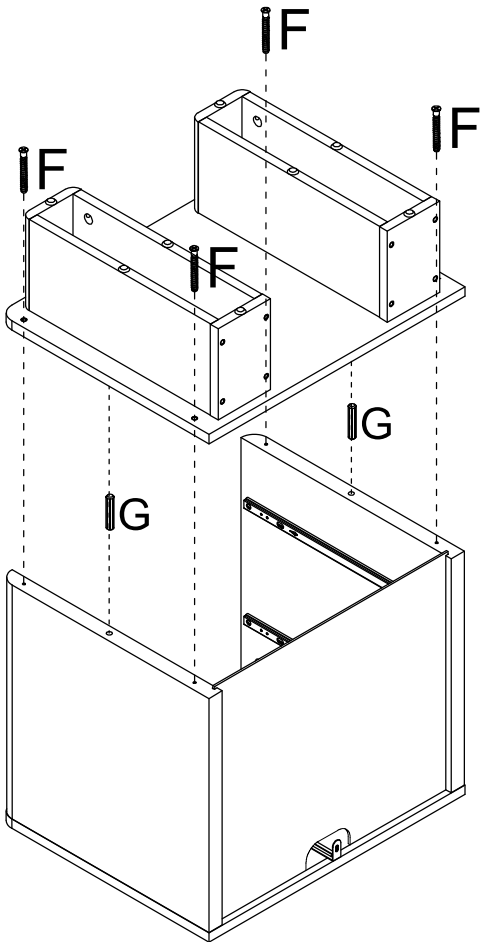



Please make sure board #5 towards to the front.


G	X4
	

F	X8
	
M5x40mm	

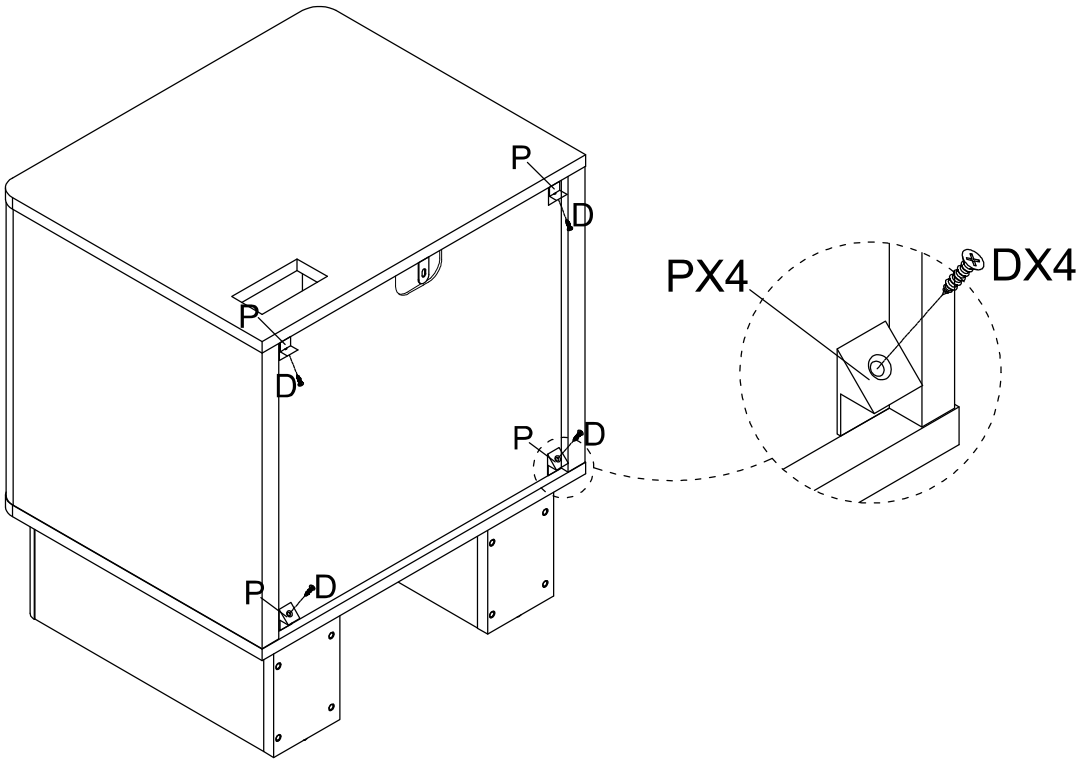
STEP 8





G	x2
	

F	x4
	
M5x40mm	

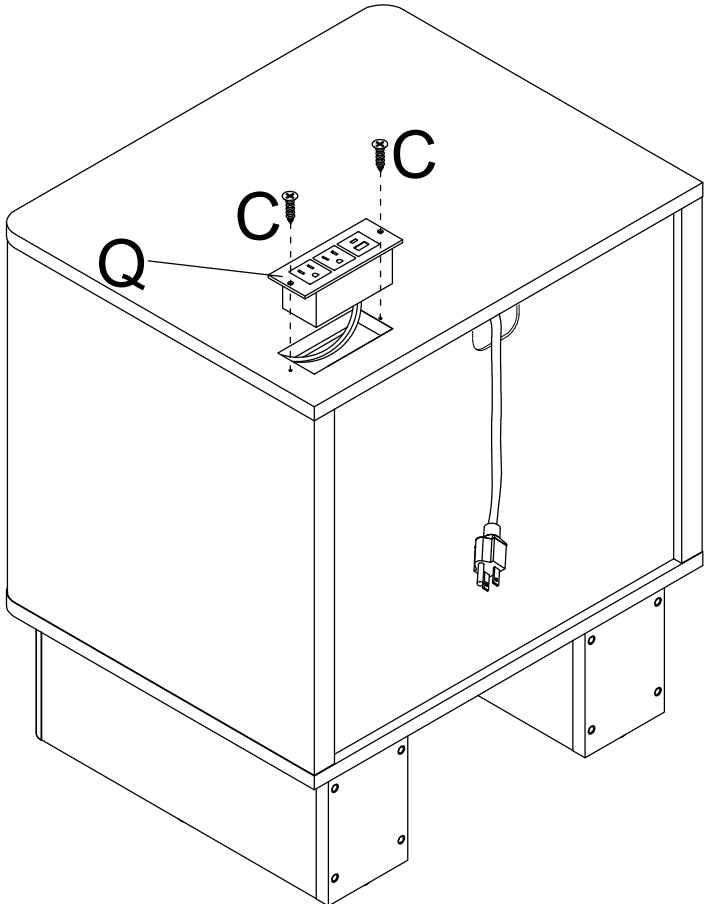
STEP 9




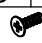
P	x4
	

D	x4
	
Black color	
M3x16mm	

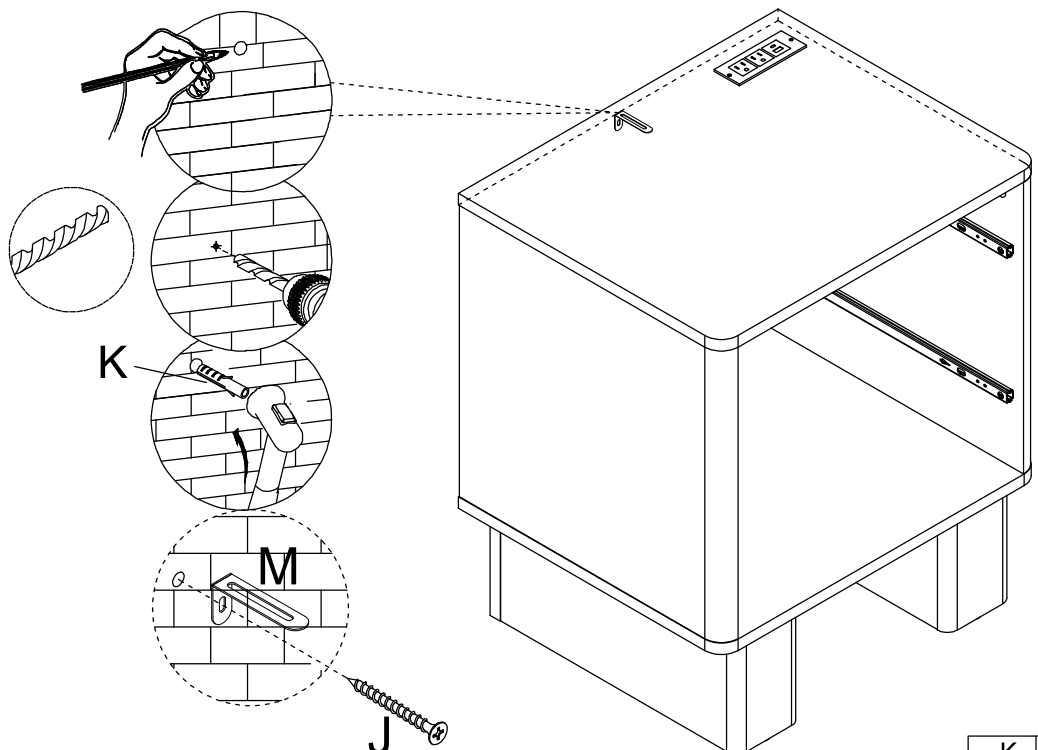
STEP 10





Q	x1
	

C	x2
	
Silver color	
M3.5x14mm	

STEP 11

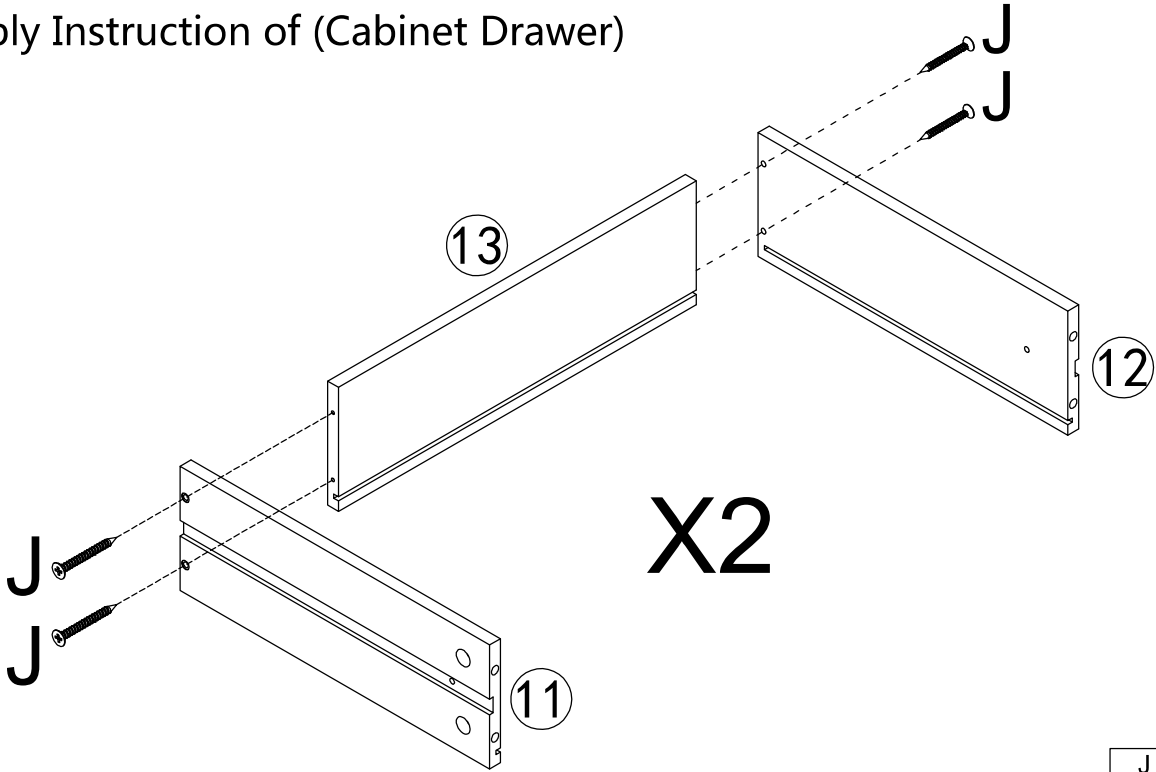



K	x1
	

J	x1
	
M4x35mm	

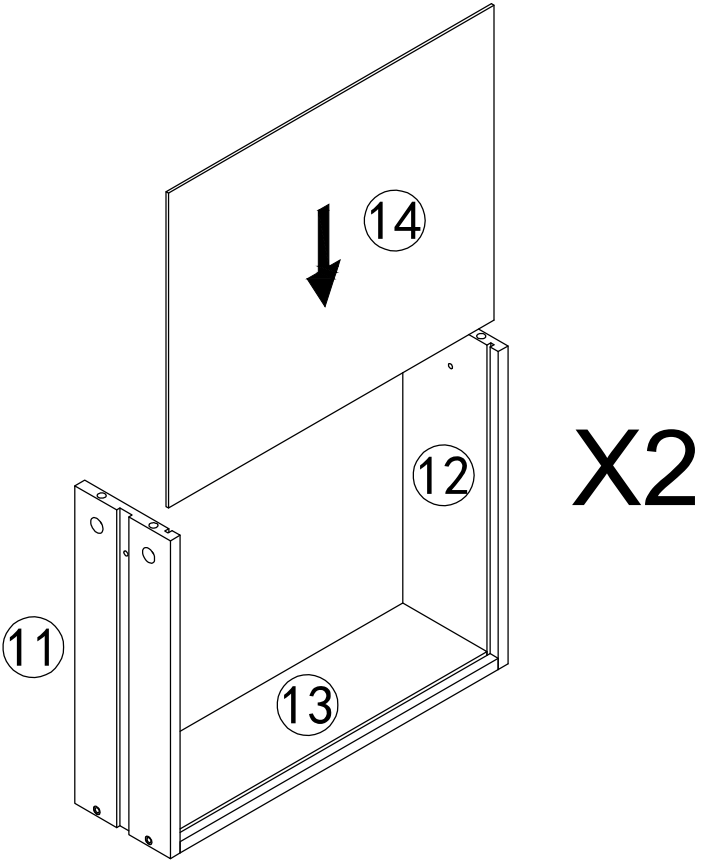
STEP 12

Assembly Instruction of (Cabinet Drawer)

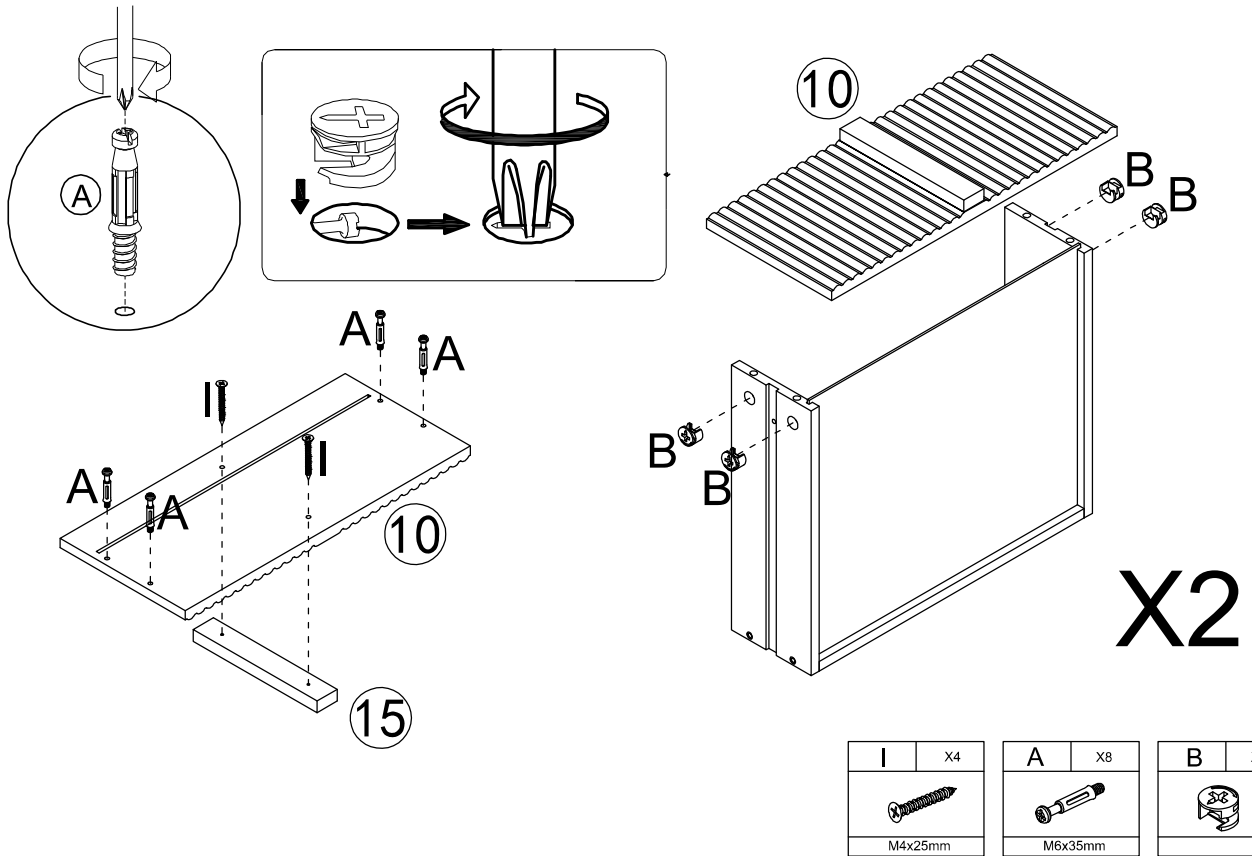


J	X8
	
M4x35mm	

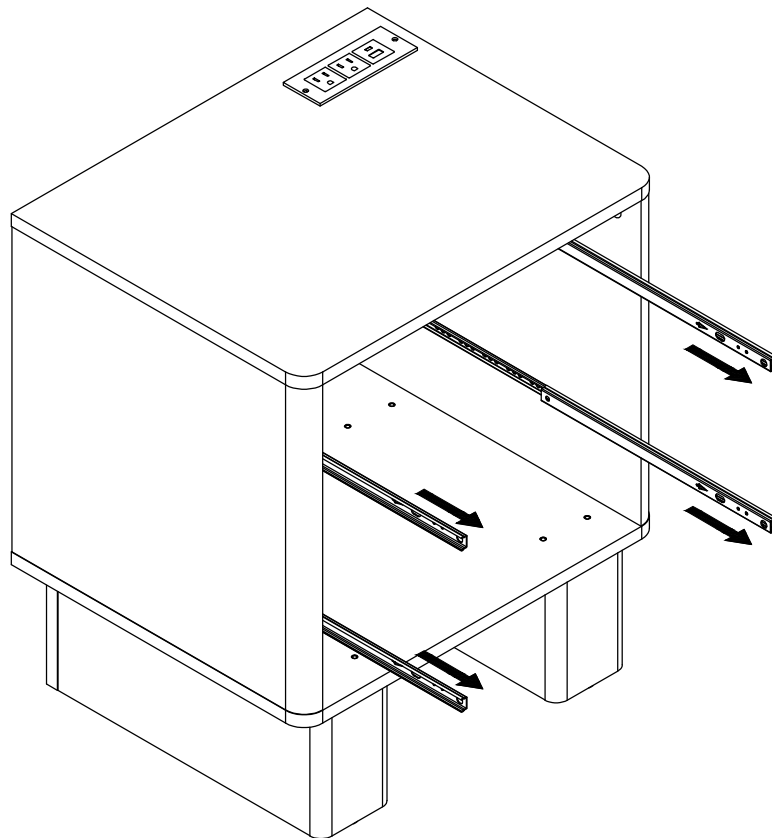
STEP 13



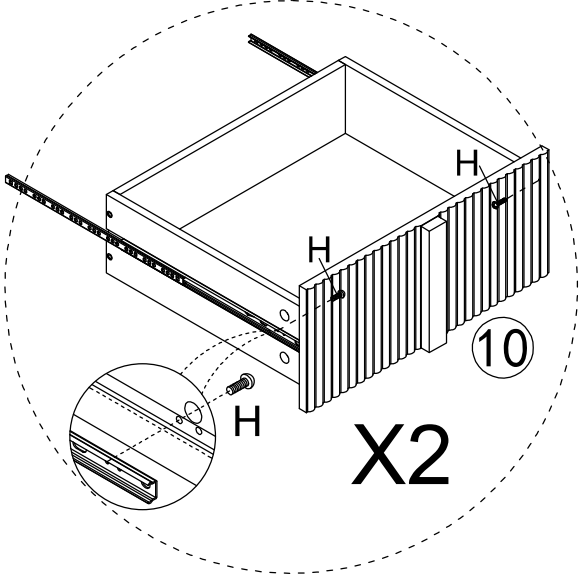
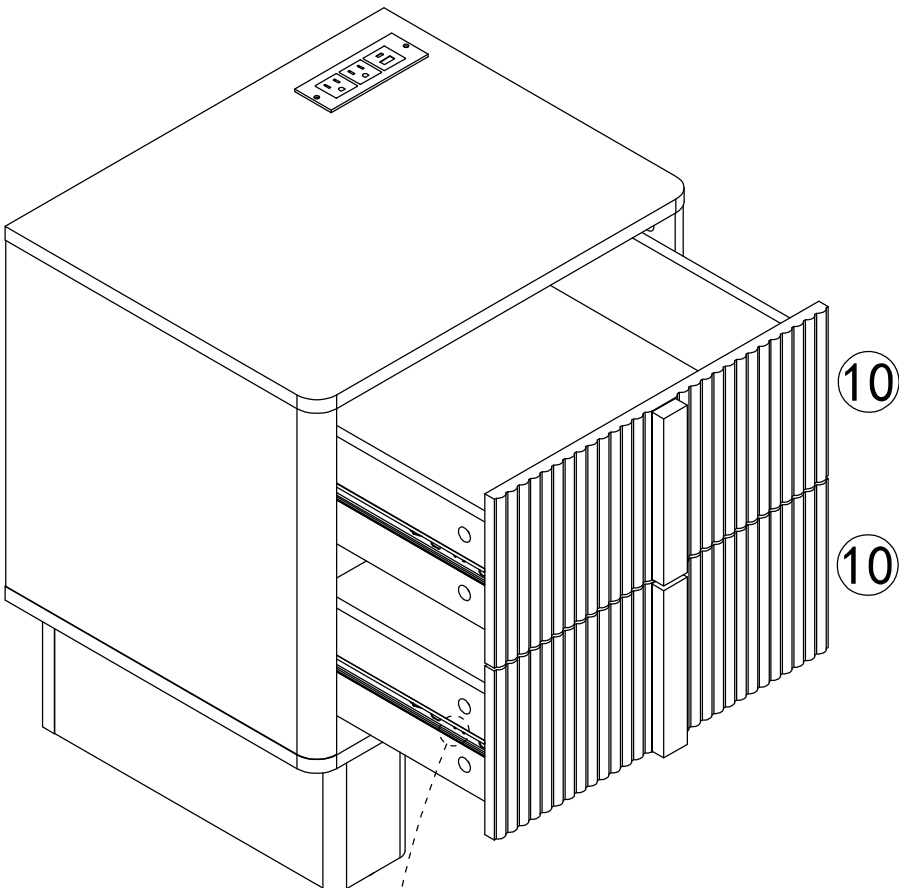
STEP 14




STEP 15

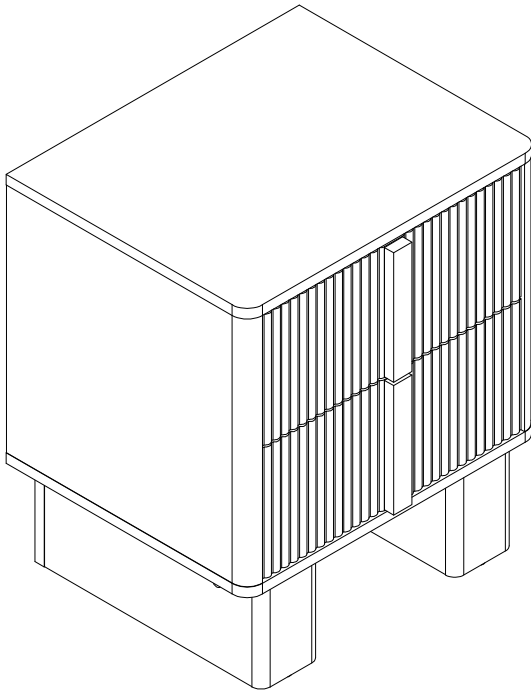


STEP 16



H	X4
	
M4x10mm	

Finished!



Congratulations, you have made it through the assembly process! We're almost there! ☆

Please perform following checks to ensure assembly is properly done.

- If drawer is misaligned, please check and ensure the screw position is correct as per step 1.

Move your product carefully, with 2 people lifting it to the preferred location. Clean the product with a dry cloth. You are all set!

Enjoy your fresh and updated living space thanks to the addition of your new product!