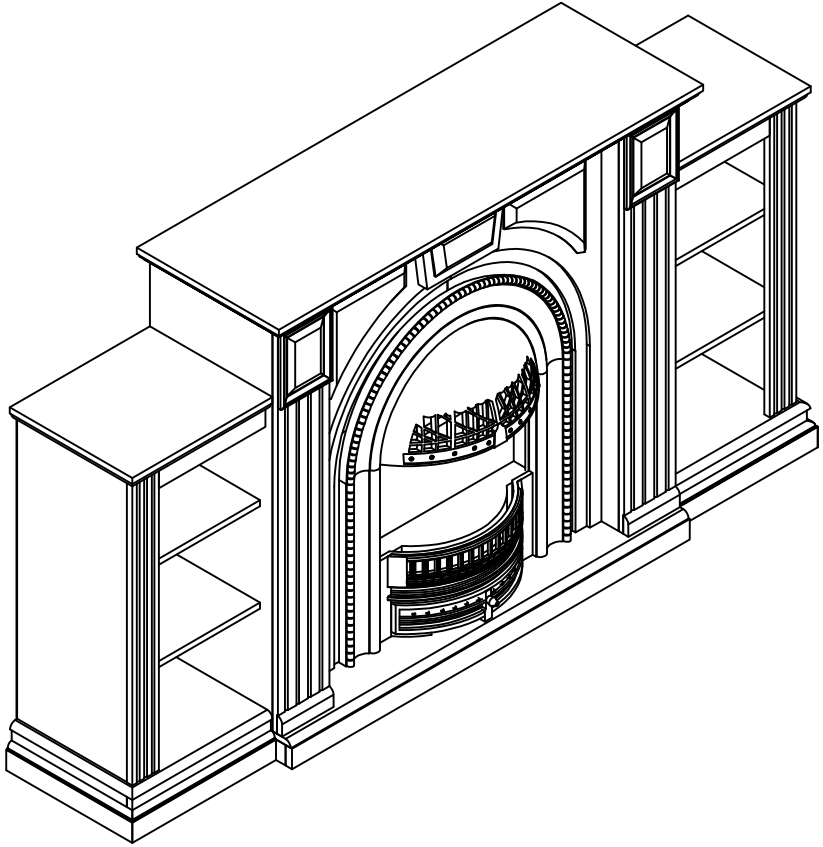
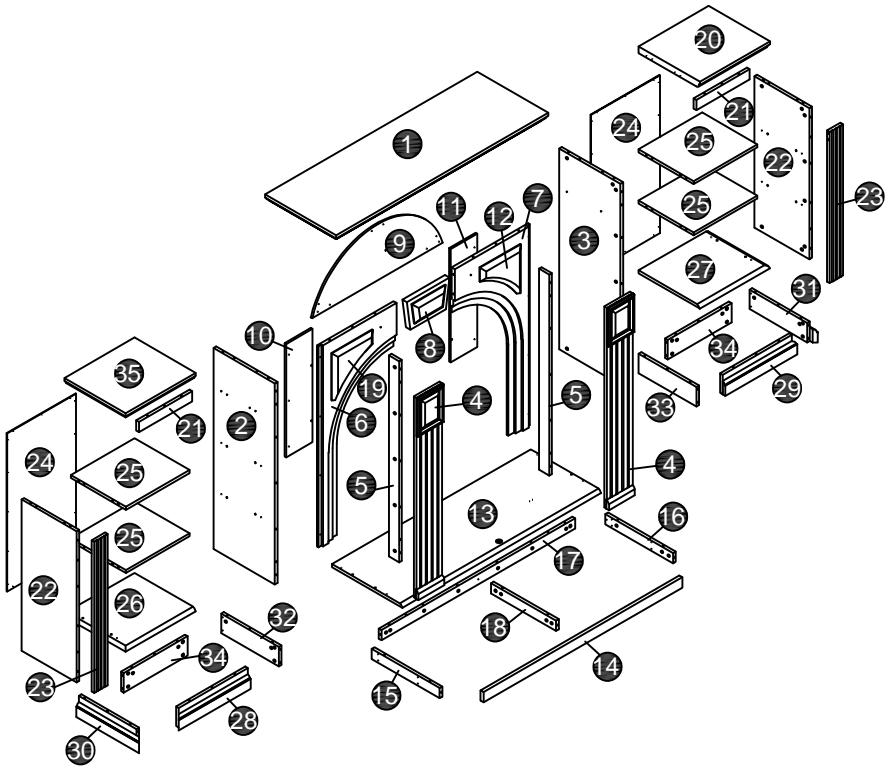


Birdcage Stove Cabinet Assembly Instructions



PACKAGE INCLUDE

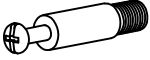








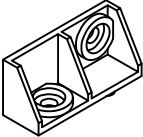
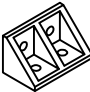





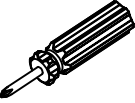

STRUCTURE FOR REFERENCE TO ASSEMBLY



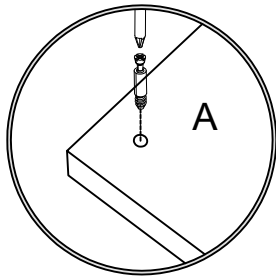
PART IDENTIFICATION

CODE	DESCRIPTION	QTY
1	Top panel	1
2	Left side panel	1
3	Right side plate	1
4	Side pillars	2
5	Mid-side panels	2
6	Left core plate 1	1
7	Right core plate 1	1
8	Core panel trim block	1
9	Upper coreboard	1
10	Left core plate 2	1
11	Right core plate 2	1
12	Left decorative block	1
13	Motherboard	1
14	Before standing water	1
15	Left standing water	1
16	Right standing water	1
17	After standing water	1
18	Neutral water	1
19	Left panel	1
20	Right panel	1
21	Pull-up strips on the side	2
22	Outer side panels	2
23	Lateral columns	2
24	Backplate	2
25	Side shelves	4
26	Left side bottom plate	1
27	Right side base plate	1
28	Left side of the front standing water	1
29	Right front standing water	1
30	Left outside the water	1
31	Standing water on the right side	1
32	Left inner standing water	1
33	Right inner standing water	1
34	Side back standing water	2
35	Right decorative block	1

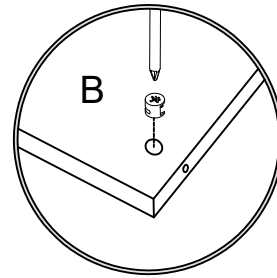
PACKAGE CONTENT

 <p>A 118x+2</p>	<p>Ø15x11MM</p>  <p>B 118x+2</p>	<p>Ø8x30MM</p>  <p>C 68x+2</p>	<p>Ø5x25MM</p>  <p>D 8x+1</p>
<p>Ø3.5x14MM</p>  <p>E 32x+1</p>	<p>Ø3.5x20MM</p>  <p>F 10+1</p>	<p>Ø5x38MM</p>  <p>G 14x+1</p>	<p>Ø3.5x10MM</p>  <p>H 8x+1</p>
<p>M6x12MM</p>  <p>I 8x+1</p>	 <p>J 4x</p>	 <p>K 2x</p>	<p>2x</p>  <p>4x</p>  <p>Ø3x10MM</p> <p>L</p>
<p>M6x30MM</p>  <p>M 8x+1</p>	<p>Ø3.5x30MM</p>  <p>N 8x+1</p>	 <p>O 2x</p>	 <p>P 1x</p>
<p>M6x25MM</p>  <p>Q 5x+1</p>			

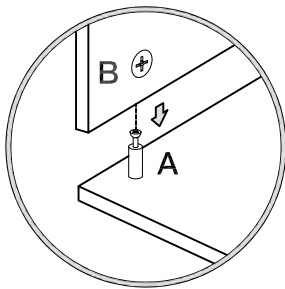
How to use the cam lock system



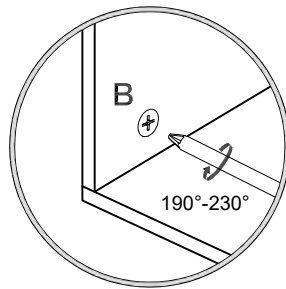
1. Screw cam bolt into panel



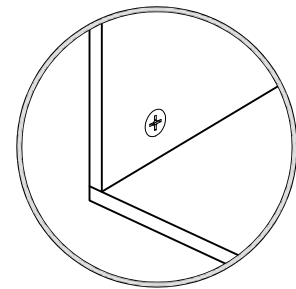
2. Push cam into panel - arrow feature on cam top points to panel edge



3. align cam bolt(s) with cam(s) and insert all the way into cross-bored hole(s)

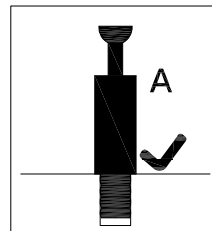
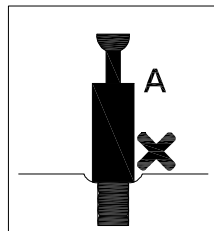
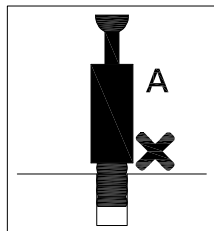
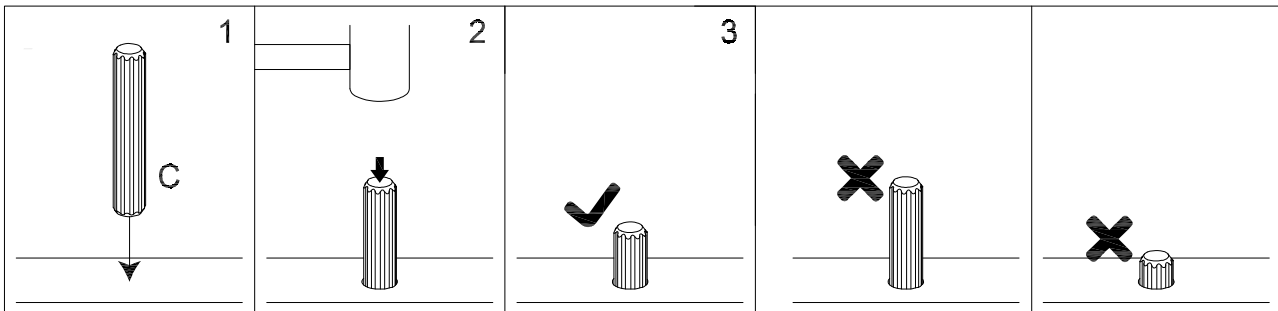


4. Rotate cam(s) clockwise 190°-230° to lock panels together



5. Panels should be tight against each other and connection should be rigid

Insert the wood dowel [C] at least half way by tapping lightly with a rubber mallet, IF NECESSARY.



⚠ WARNING

- Unit must be placed on a level surface or leveled with included hardware (when applicable).
- Do not sit or stand on or allow children to climb, sit or stand on the assembled product.
- For safety reasons, it is imperative that this unit be mounted to the wall.
- Do not use without installing the tip restraint.
- Unit can tip over causing severe injury or death.
- Do not exceed the recommended weight limits.
- Evenly distribute the weight on each level and always keep the heavier loads on the bottom.
- Before cutting, drilling or hammering into any wall or floor surface, verify the location of electrical, plumbing and gas lines. Cutting may cause serious injury.

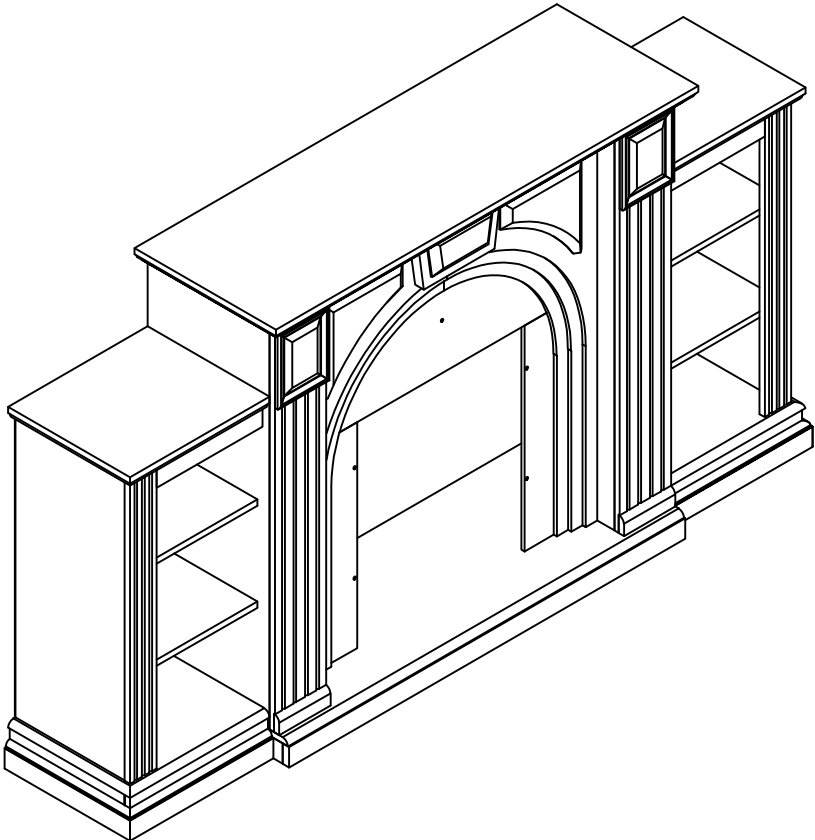
You are now ready to assemble the ElectricFireplace with mantel

Before installing:

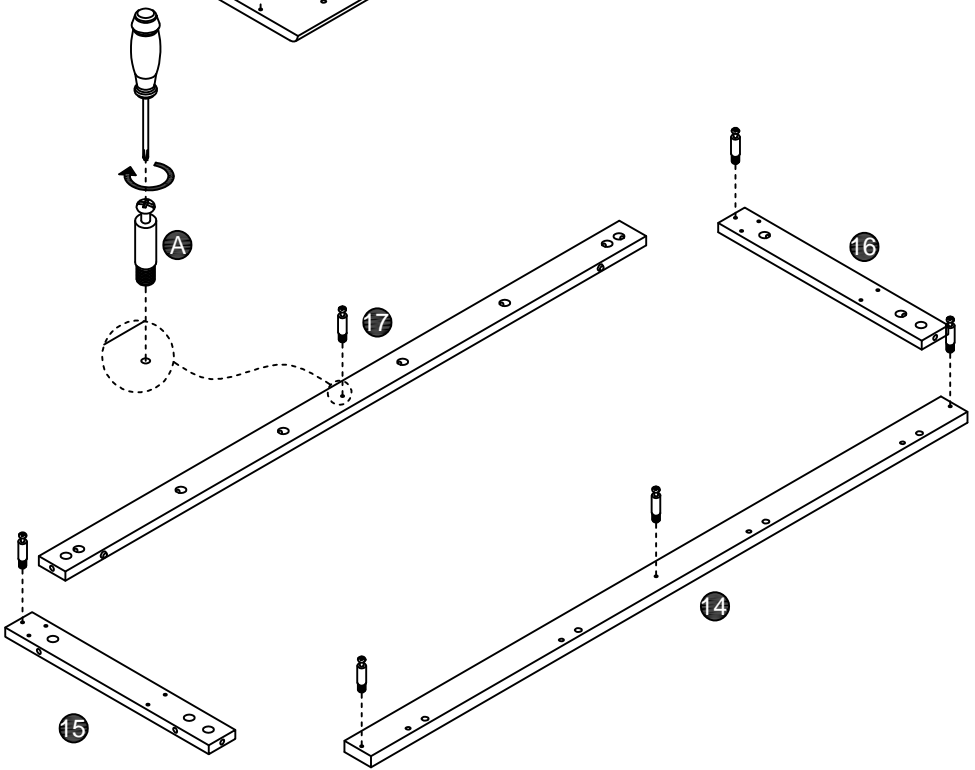
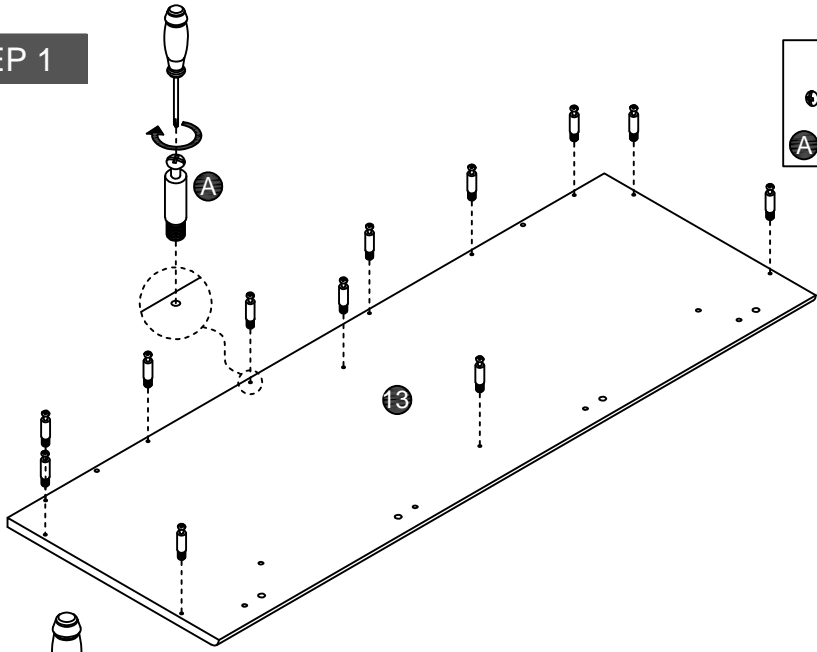
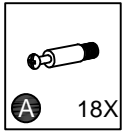
1. Read through all instructions first
2. Check all shelf parts and their layout
3. Compare your assembled bookshelf with the finished diagram to confirm everything's correct






We recommend using a power drill to assemble.

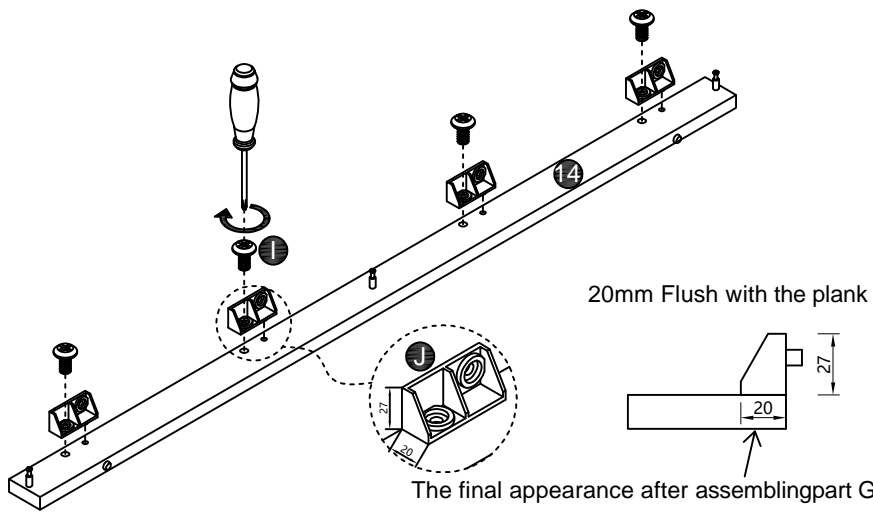


STEP 1

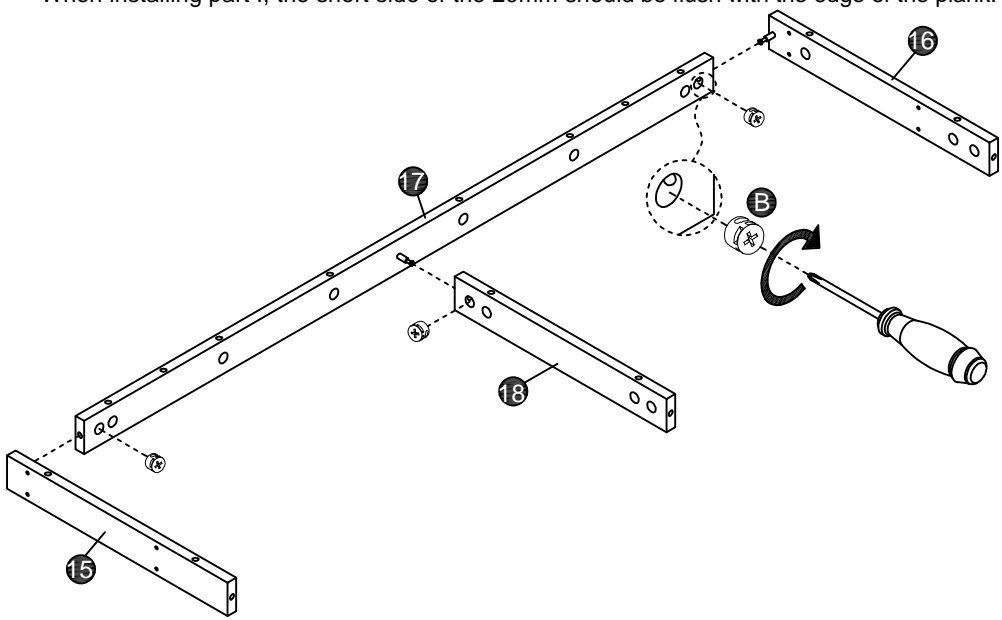


STEP 2

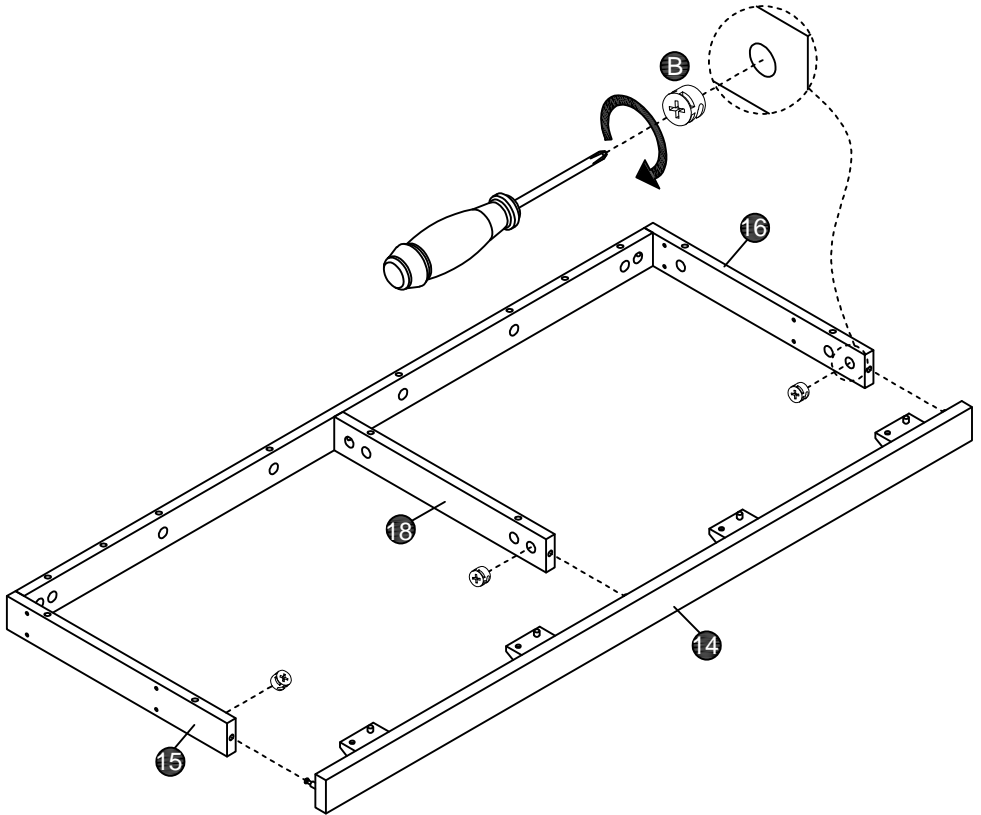
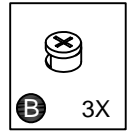
-  3X
-  4X
-  4X






When installing part I, the short side of the 20mm should be flush with the edge of the plank.

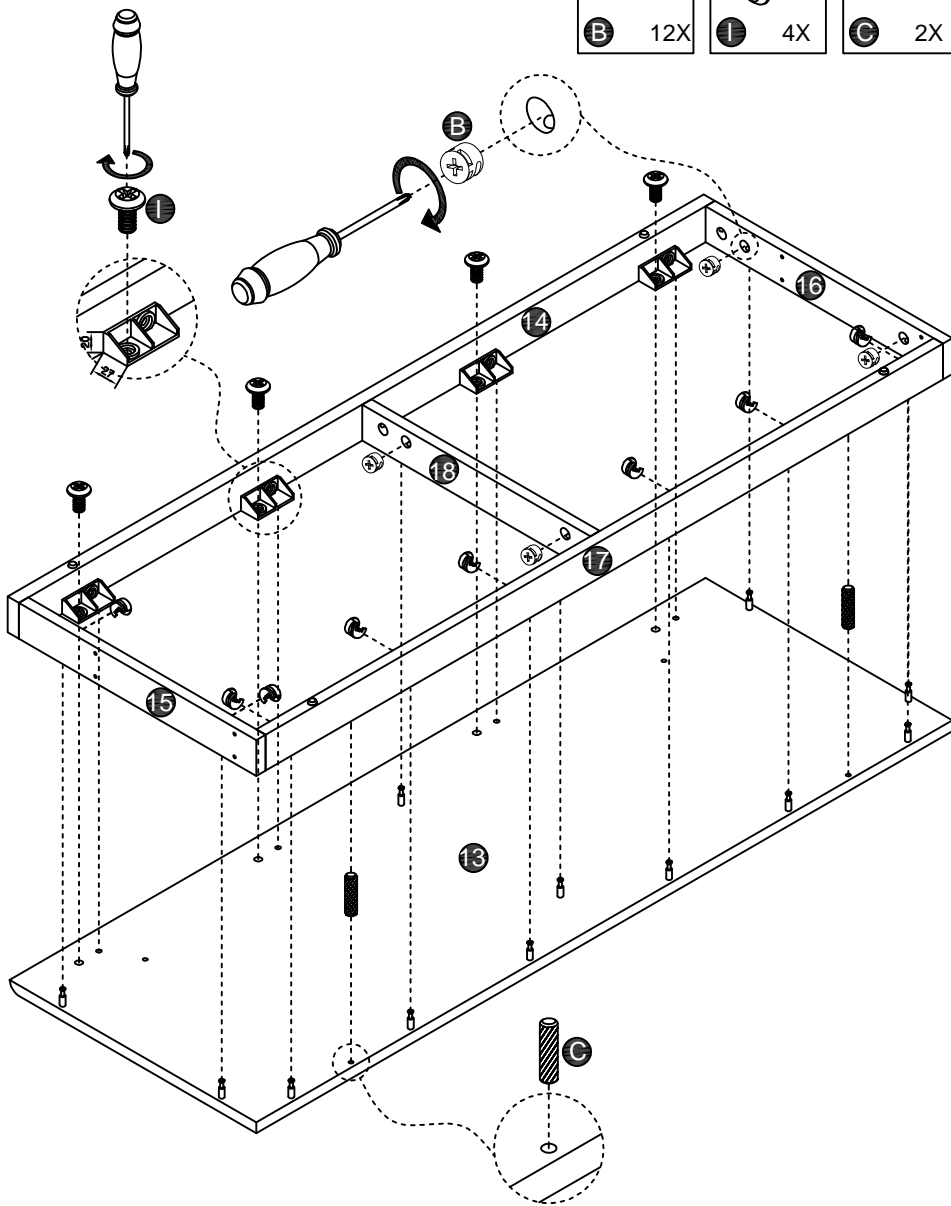


STEP 3

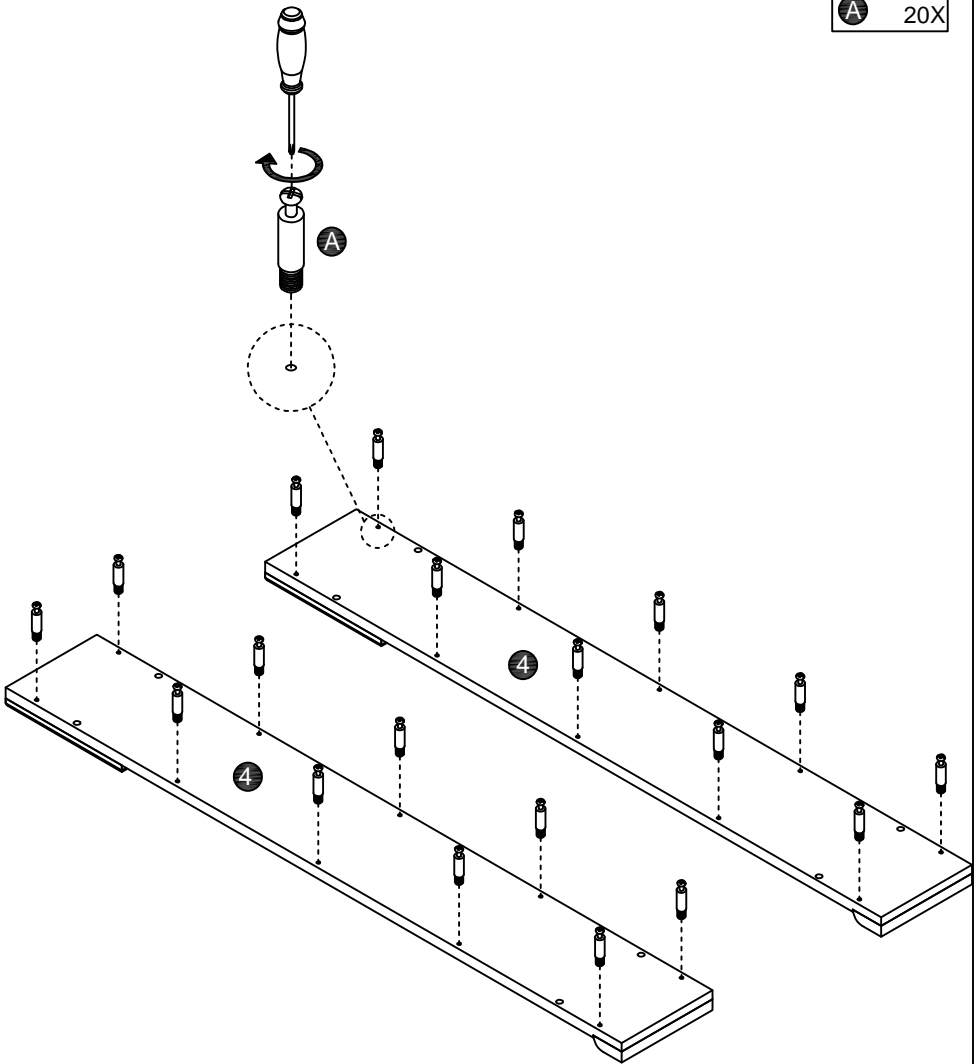
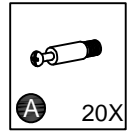


STEP 4

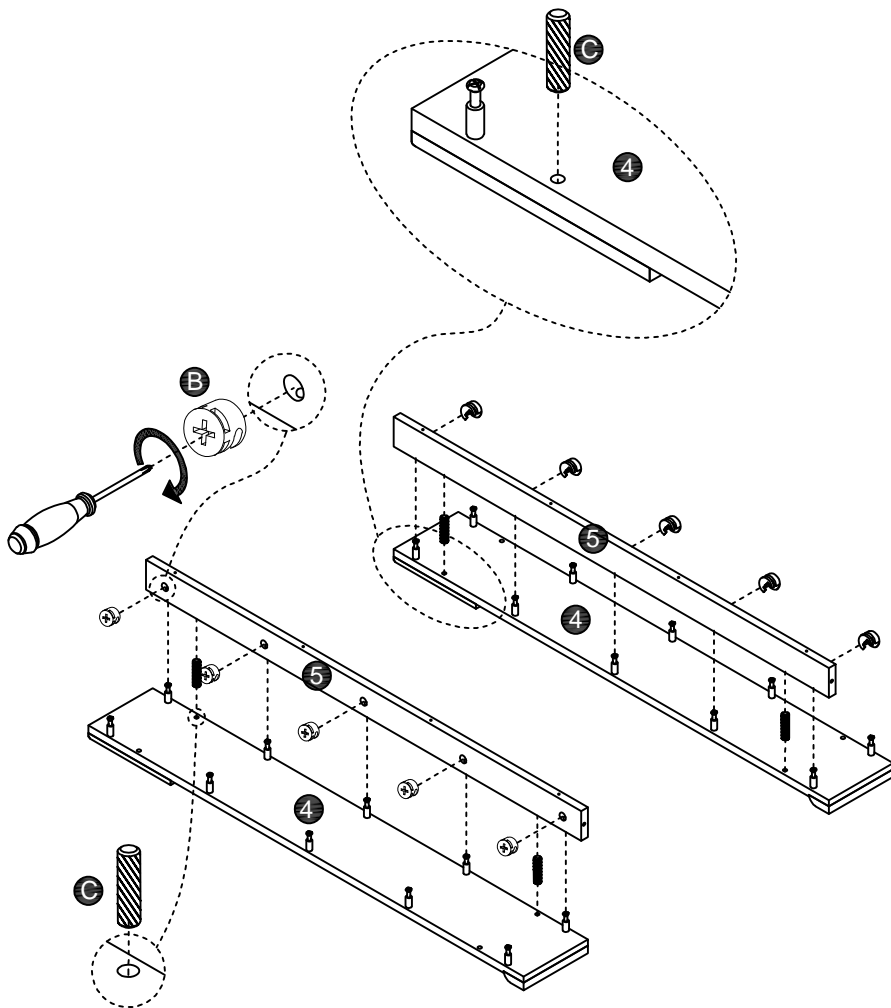
 B 12X	 L 4X	 C 2X
---	--	---



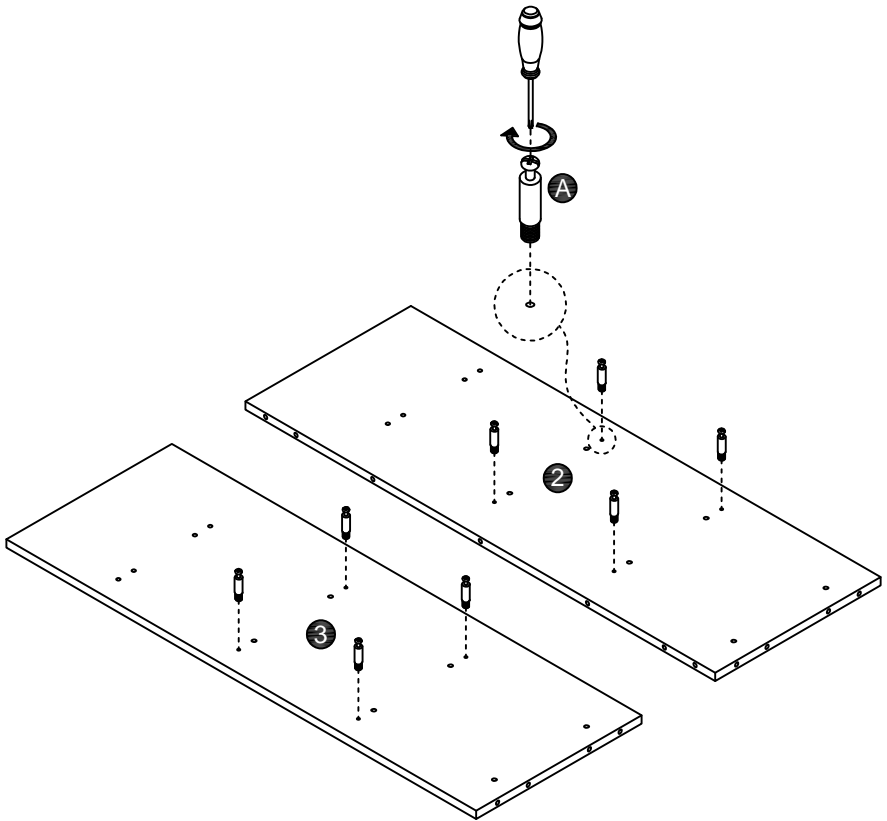
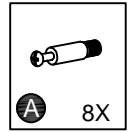
STEP 5



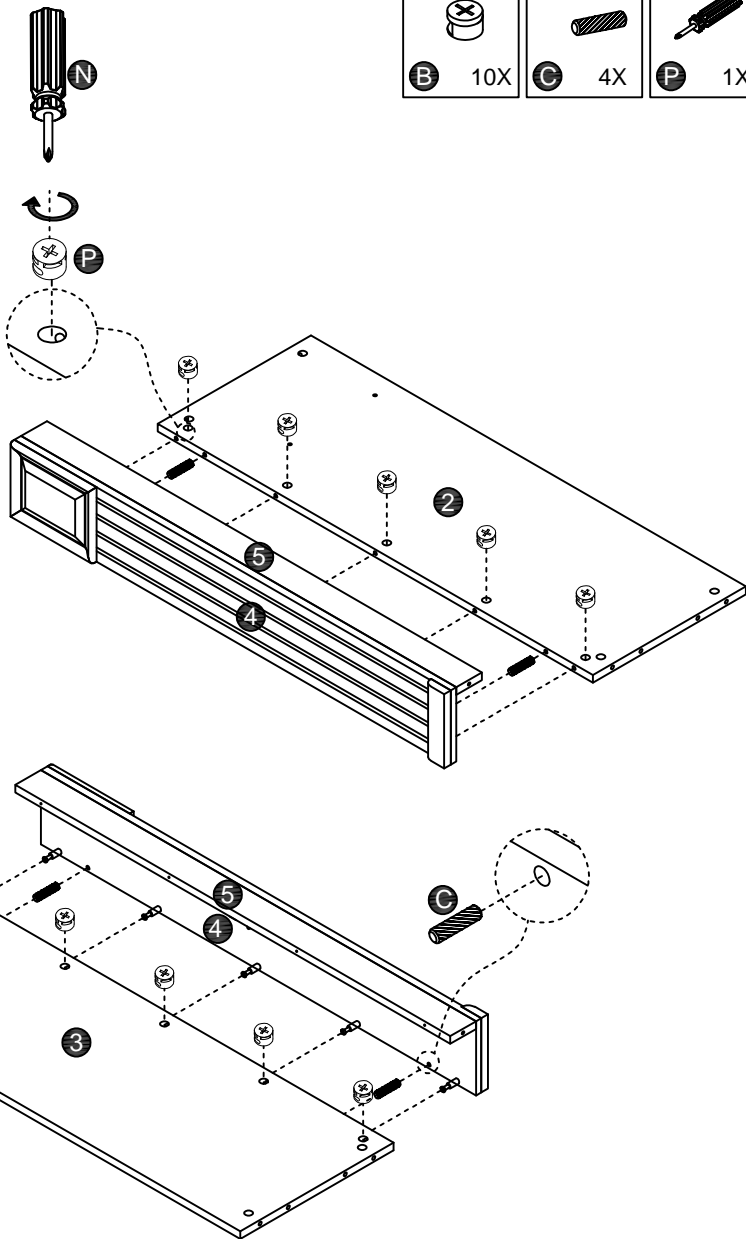
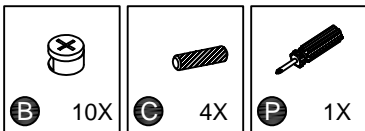
STEP 6



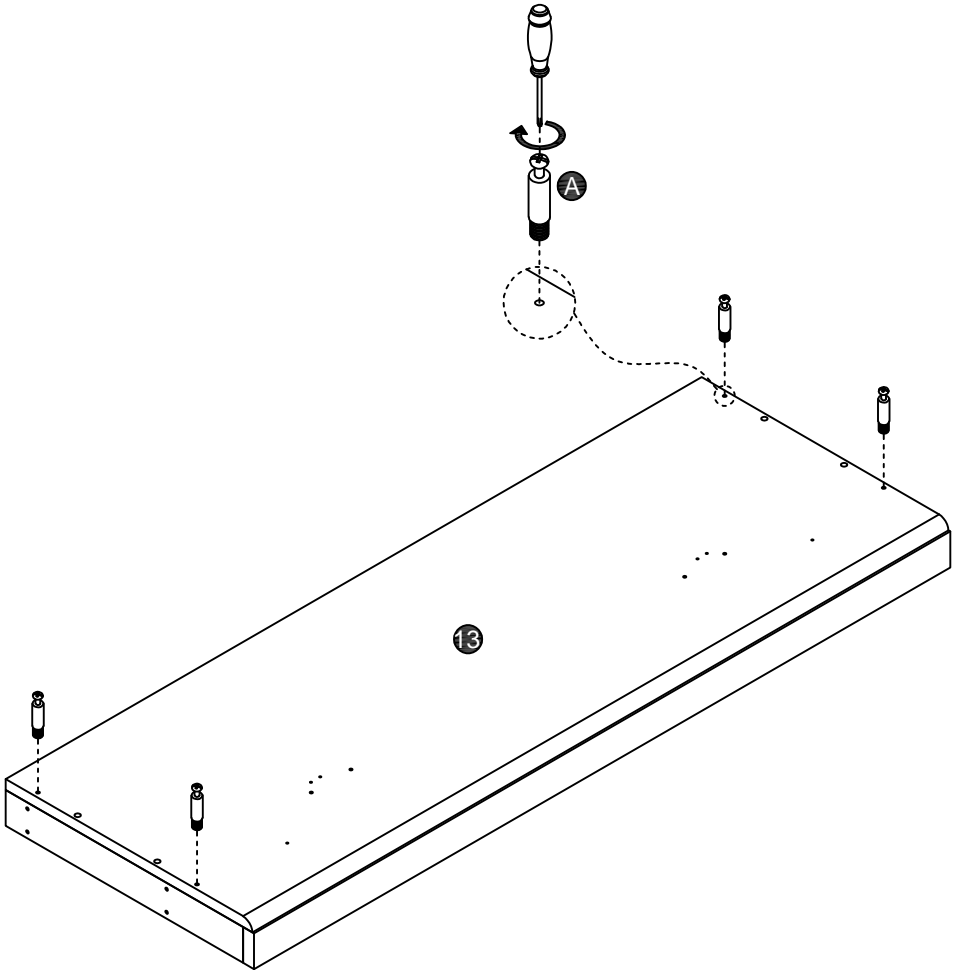
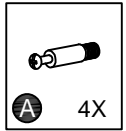
STEP 7



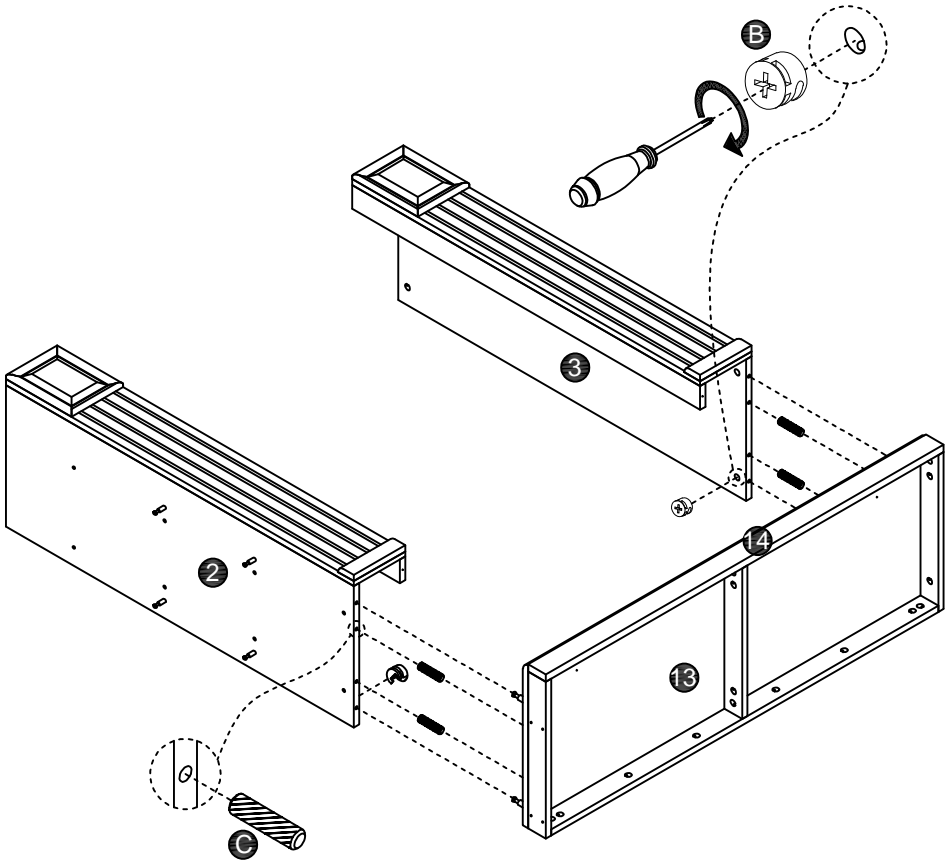
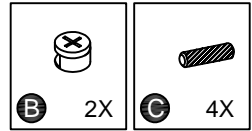
STEP 8



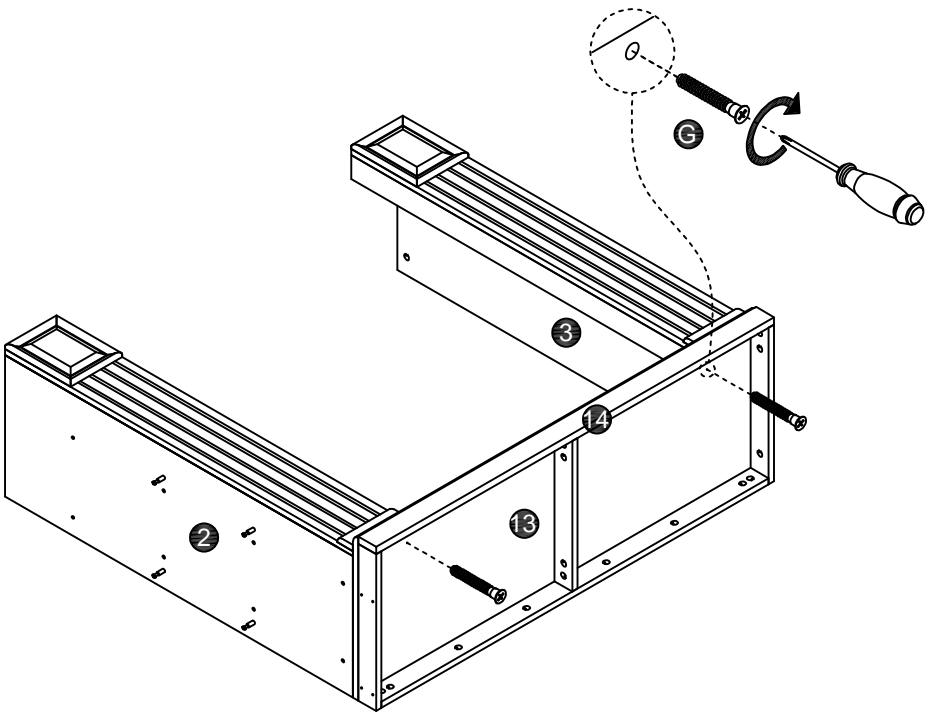
STEP 9



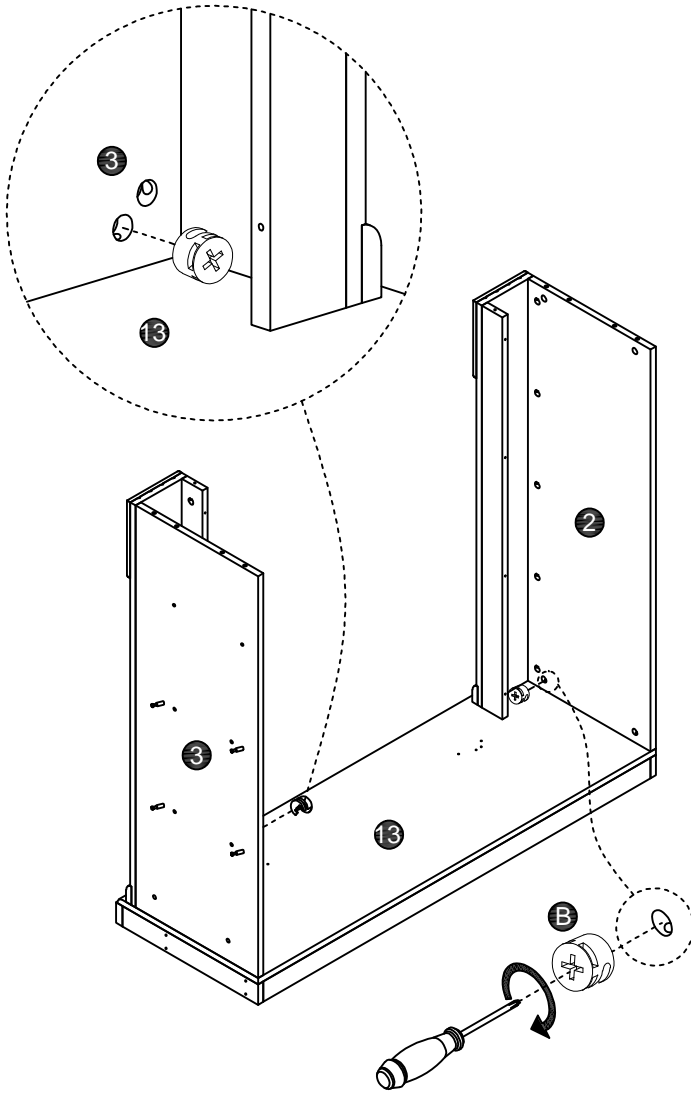
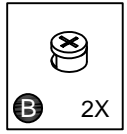
STEP 10



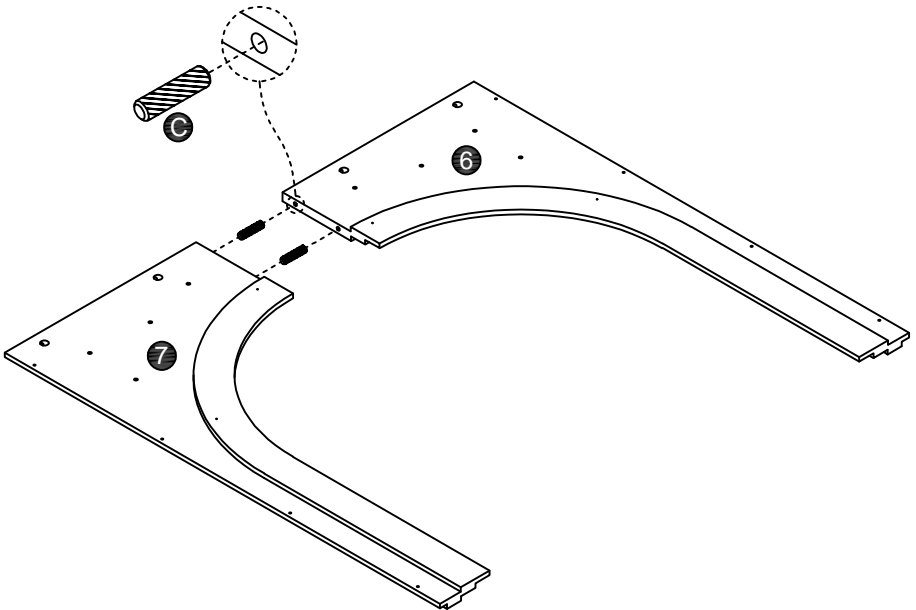
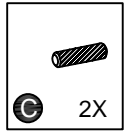
STEP 11



STEP 12

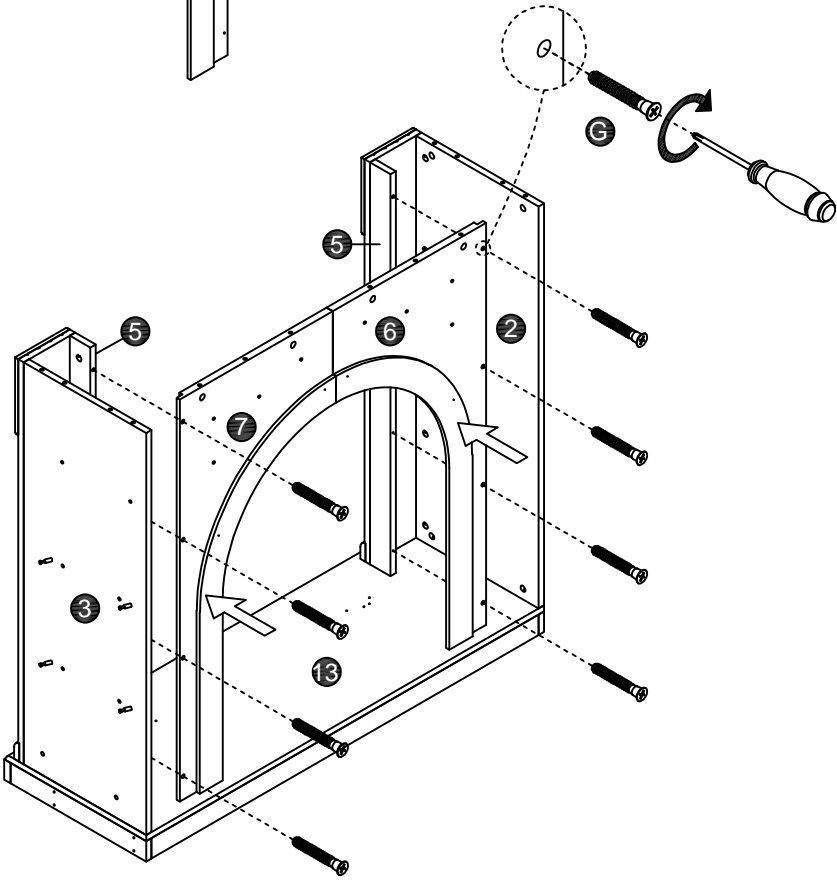
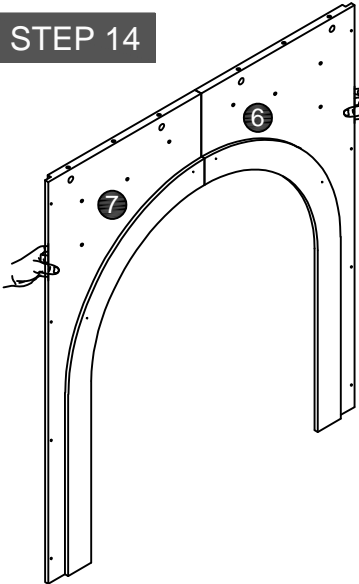


STEP 13

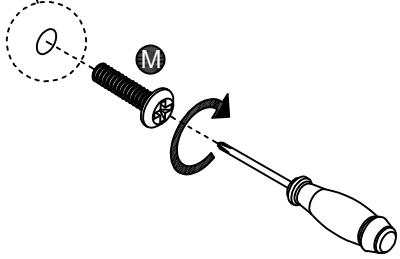
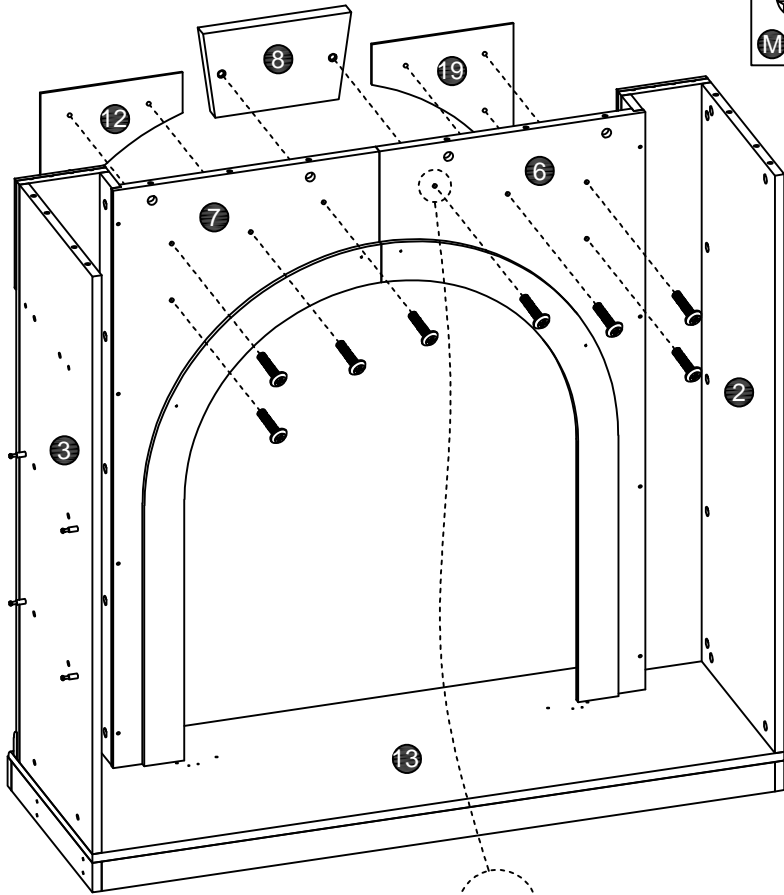
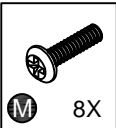


STEP 14

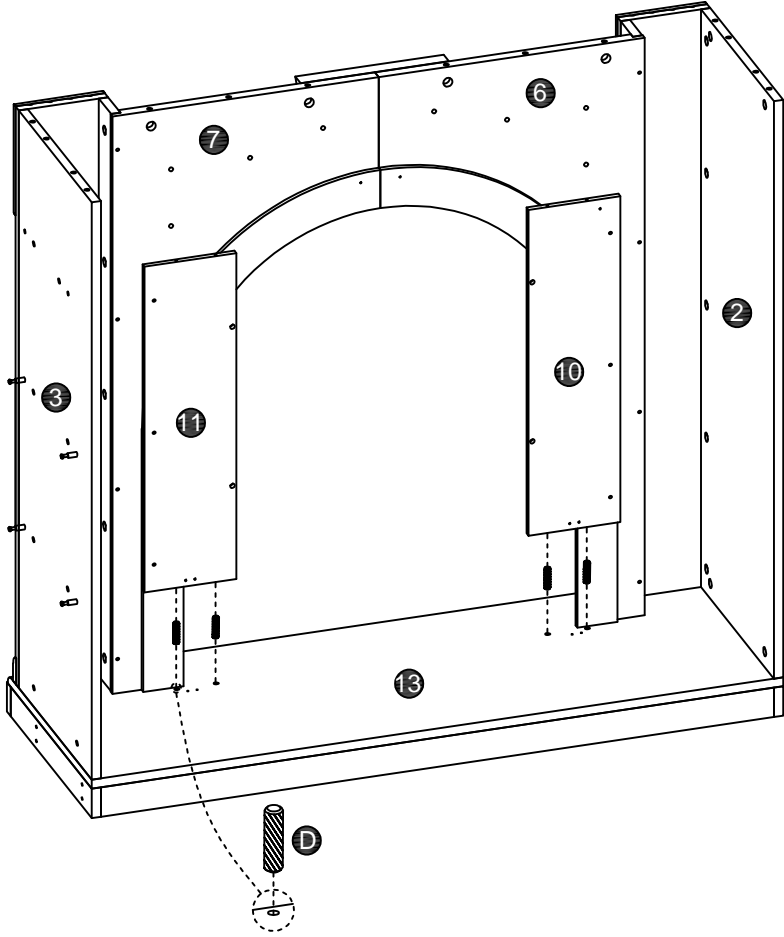
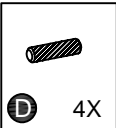
Note: When moving this part, please place your hands at the indicated positions to ensure safe handling.



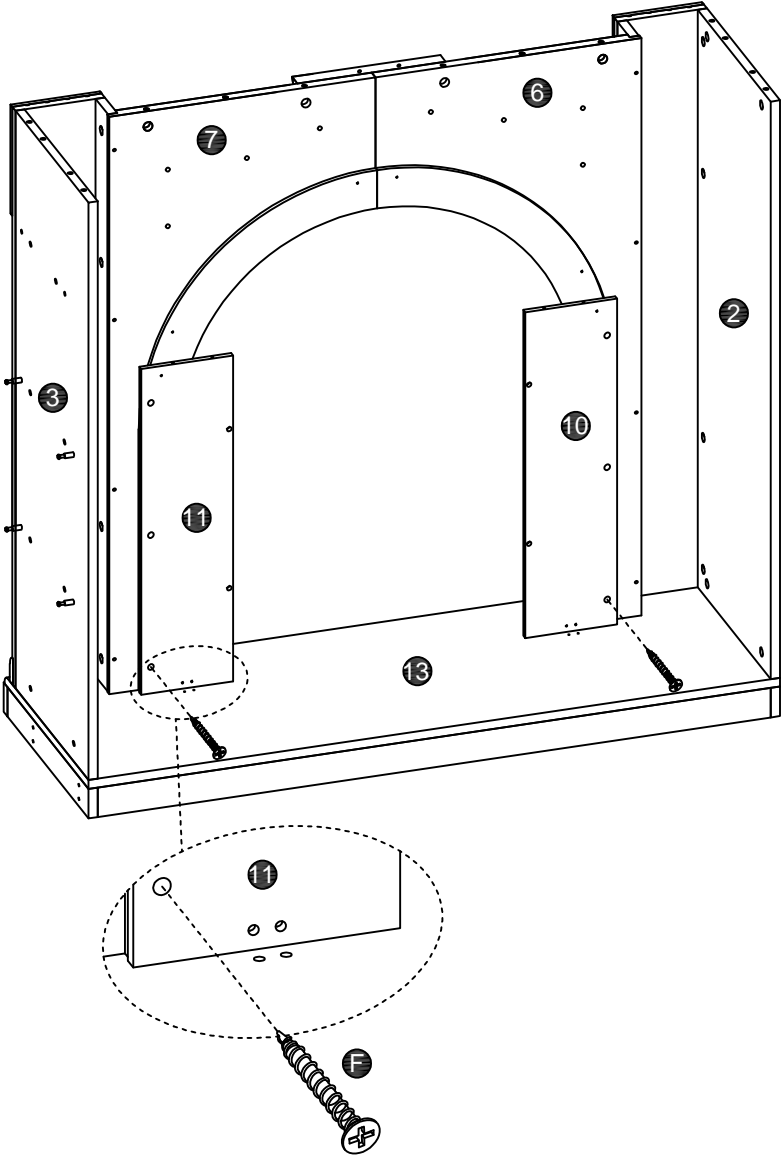
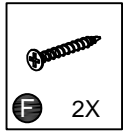
STEP 15



STEP 16

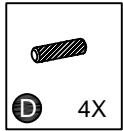


STEP 17

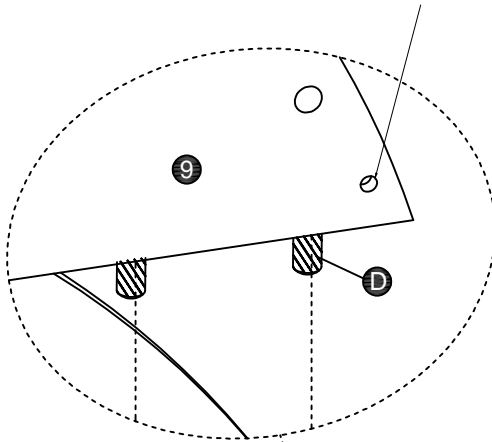


STEP 18

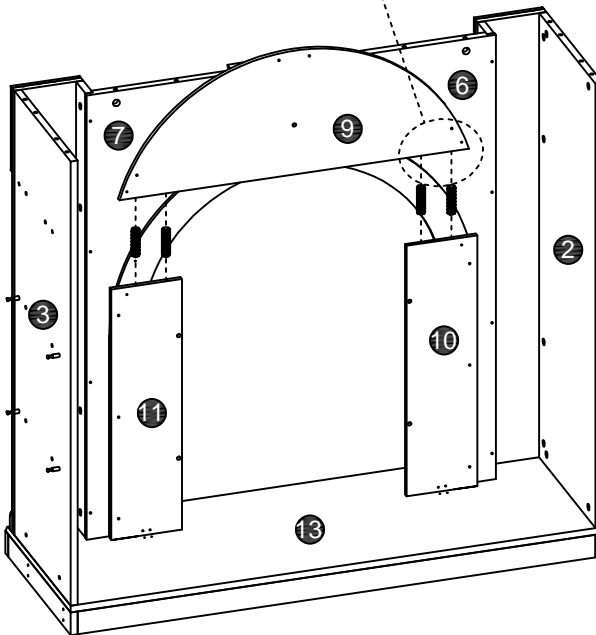
Note: When installing this No. 9 panel, make sure these two holes are facing towards you for correct assembly.



Step1

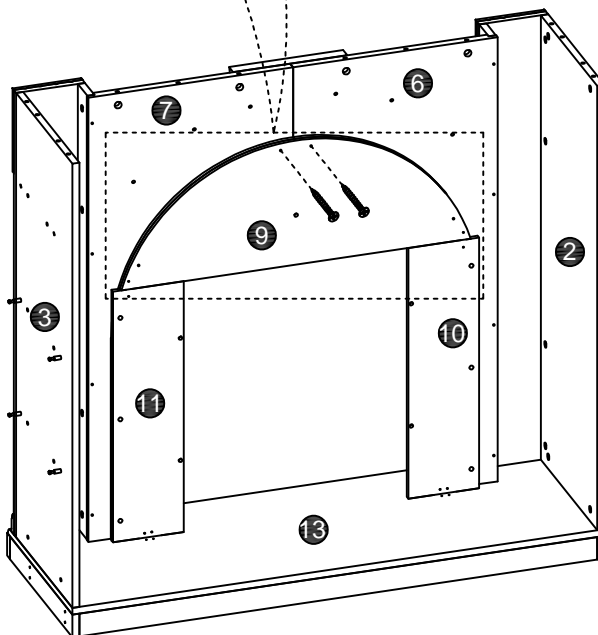
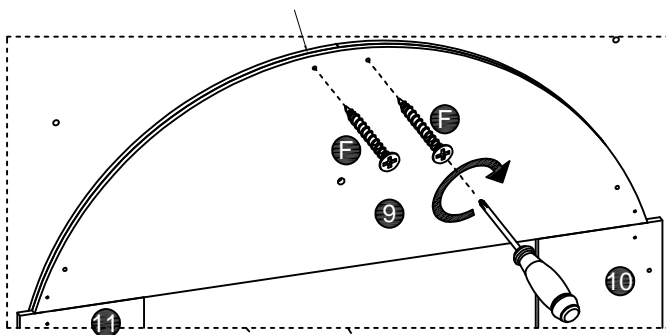
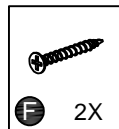


Step2

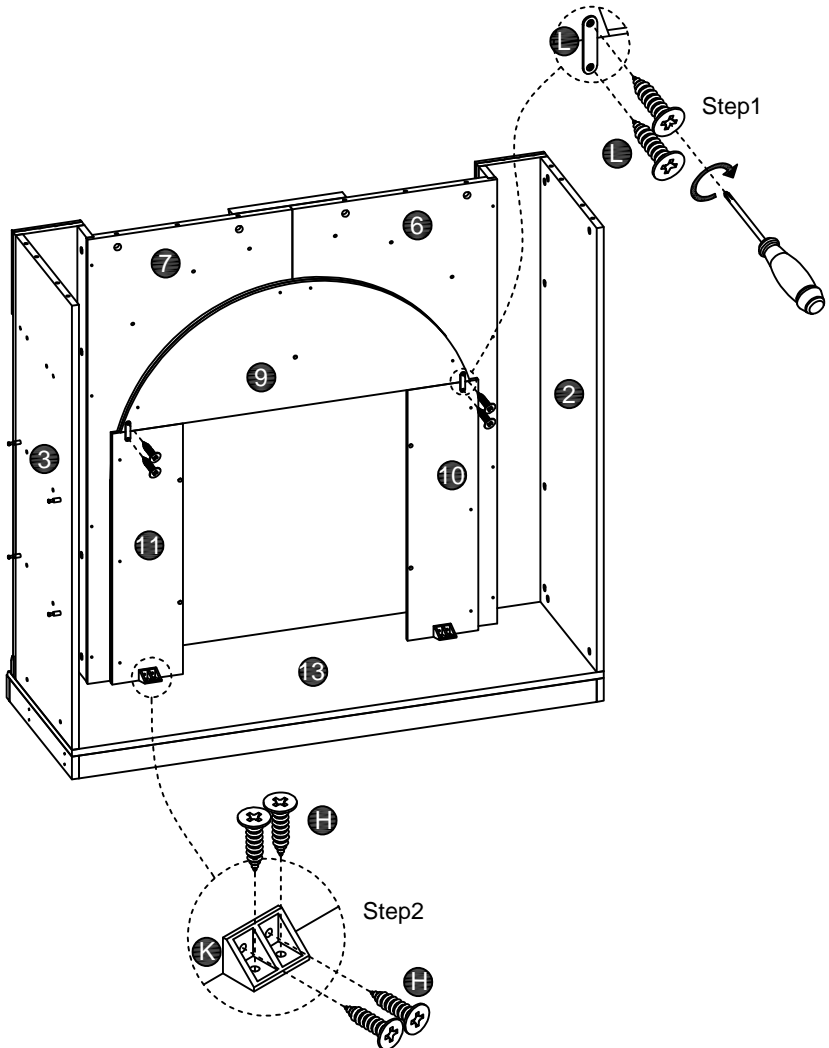
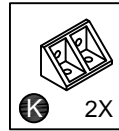
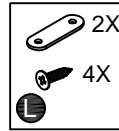
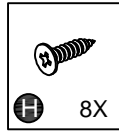


STEP 19

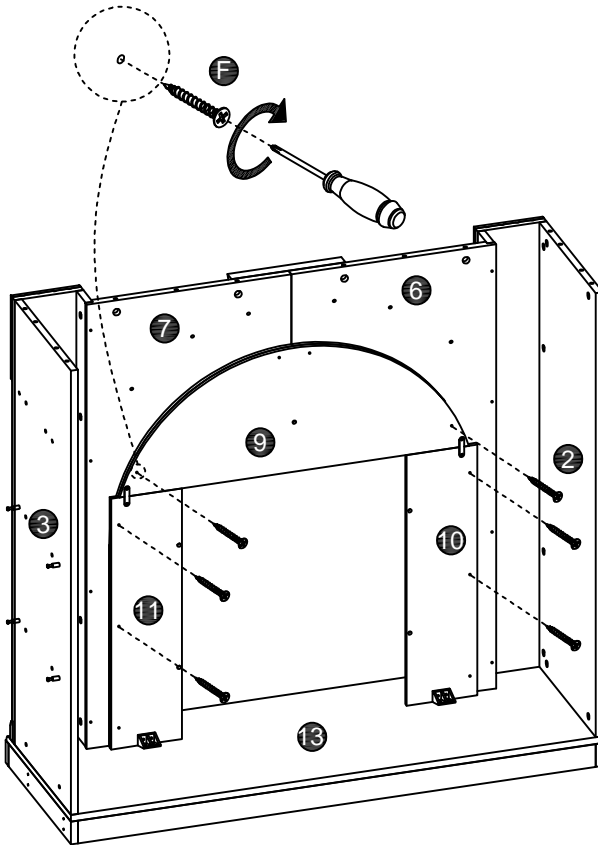
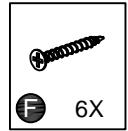
Note: When tightening these two screws, make sure the two semicircular curves are properly aligned.



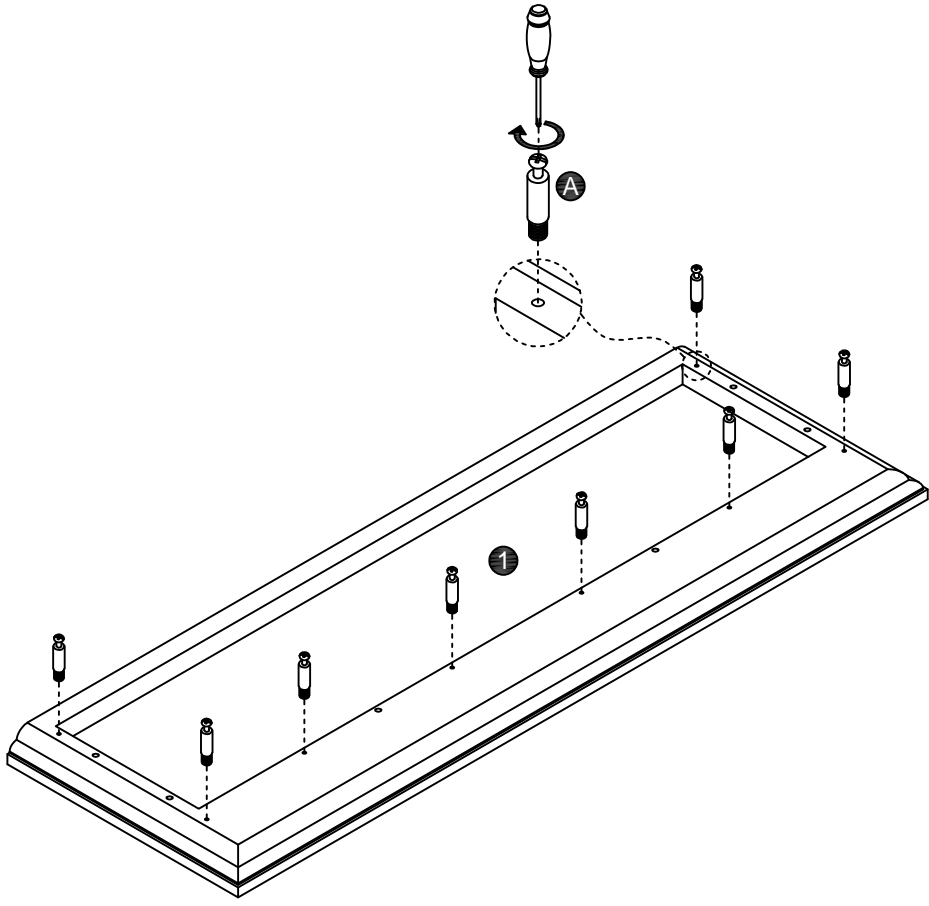
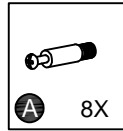
STEP 20



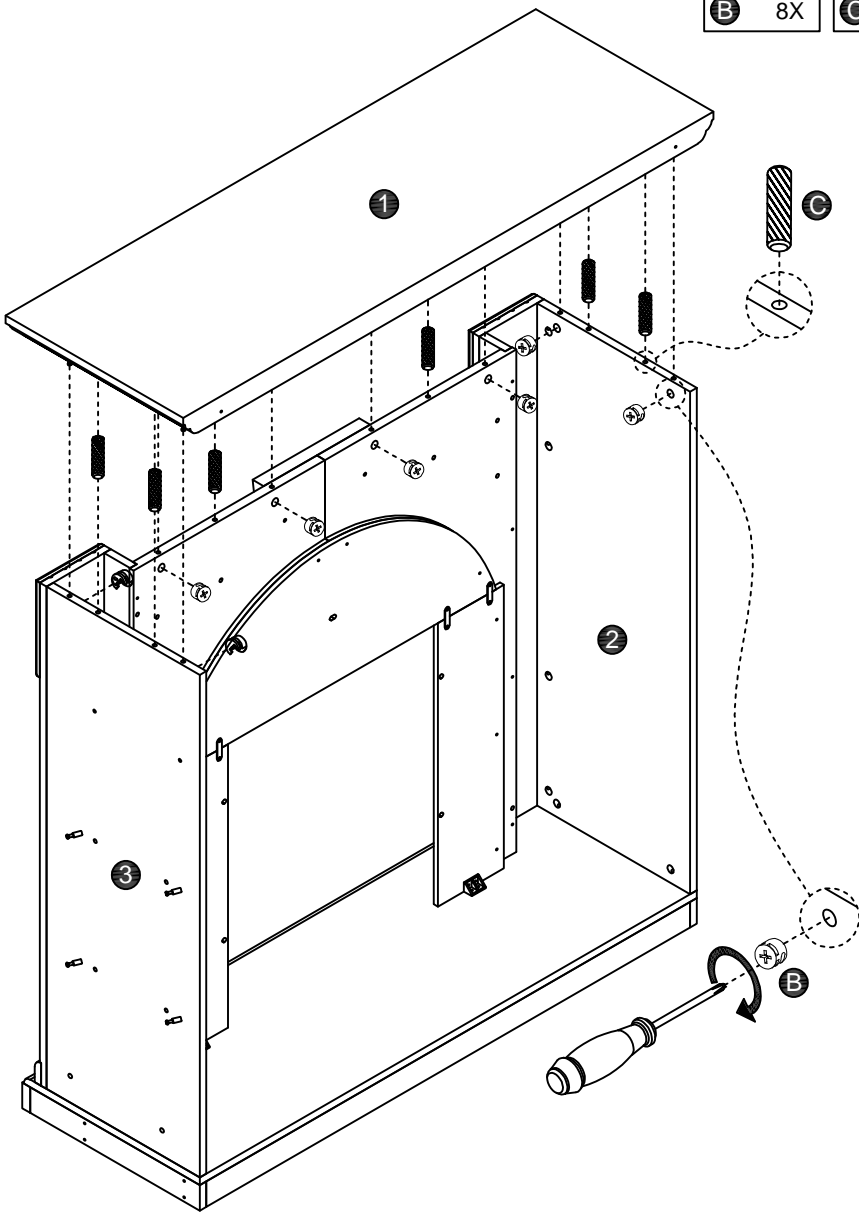
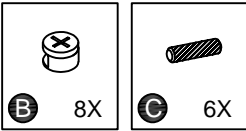
STEP 21



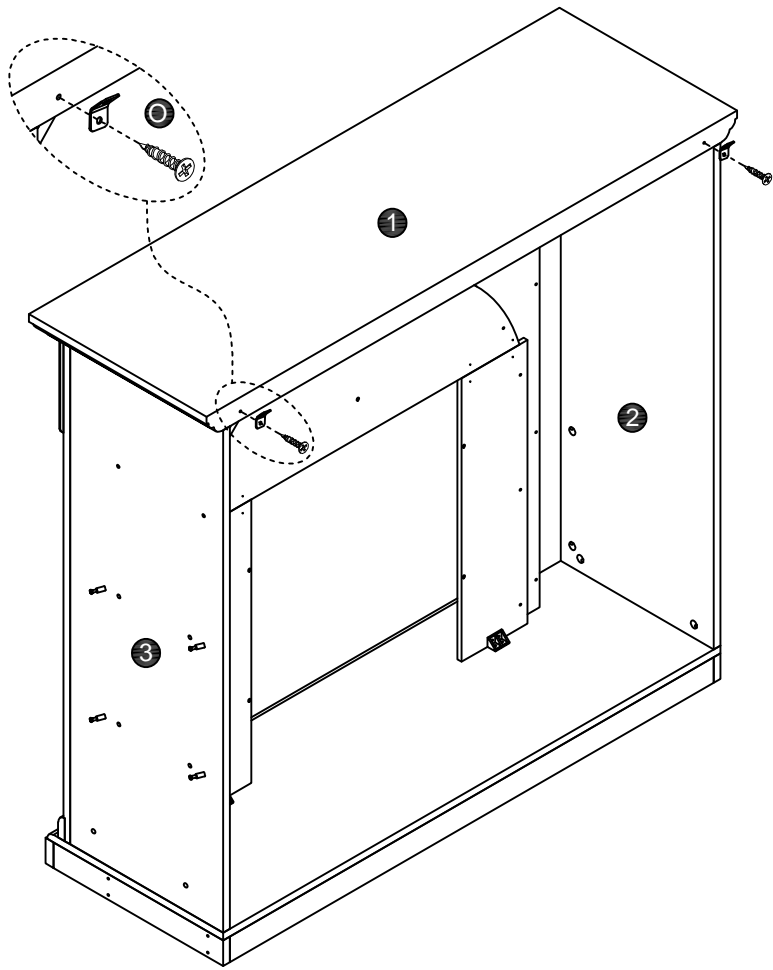
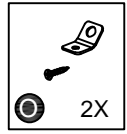
STEP 22



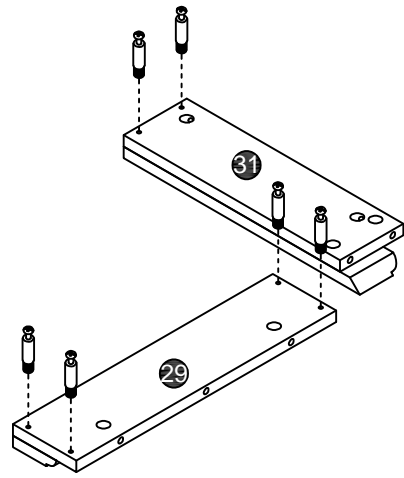
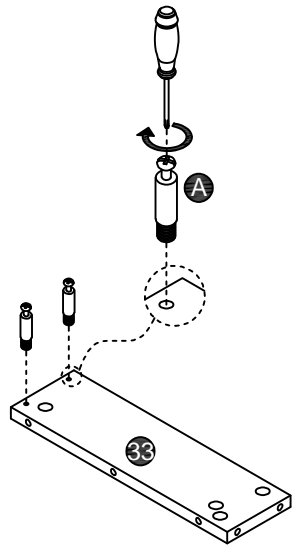
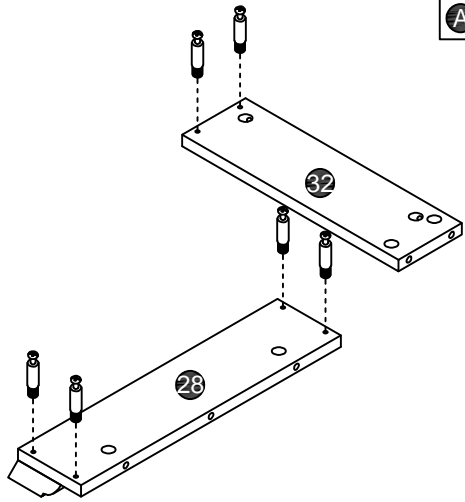
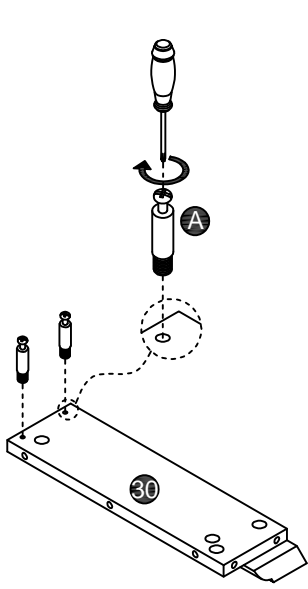
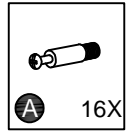
STEP 23



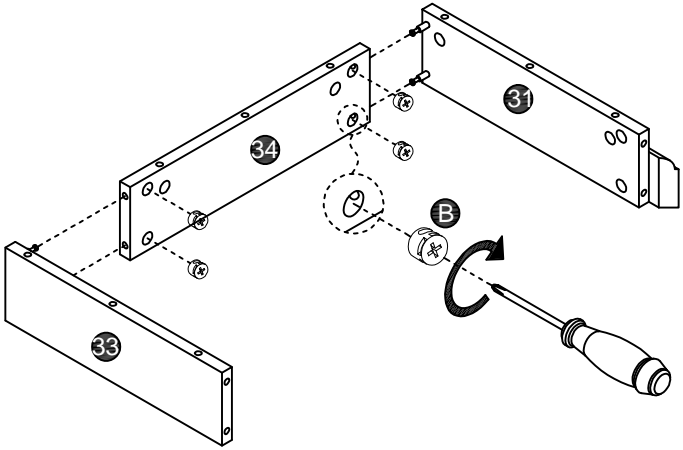
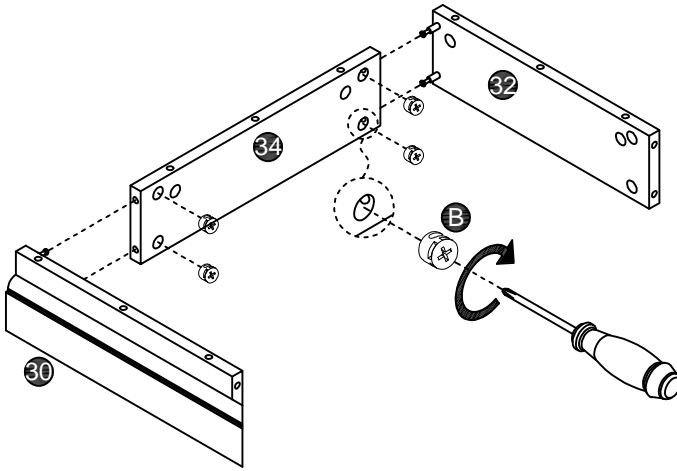
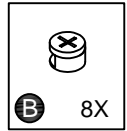
STEP 24



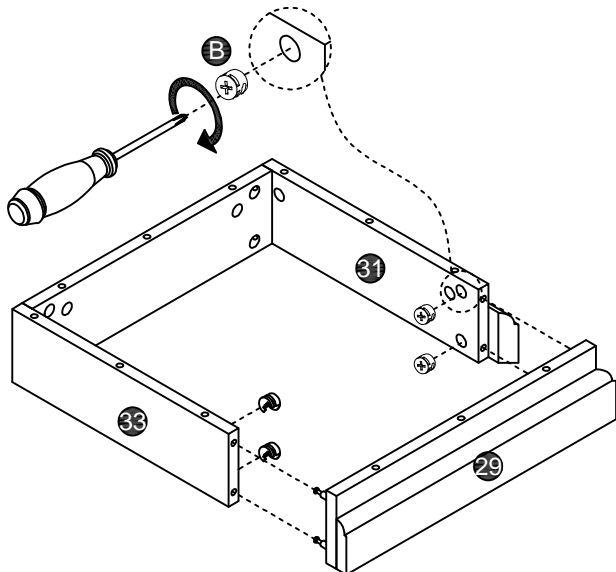
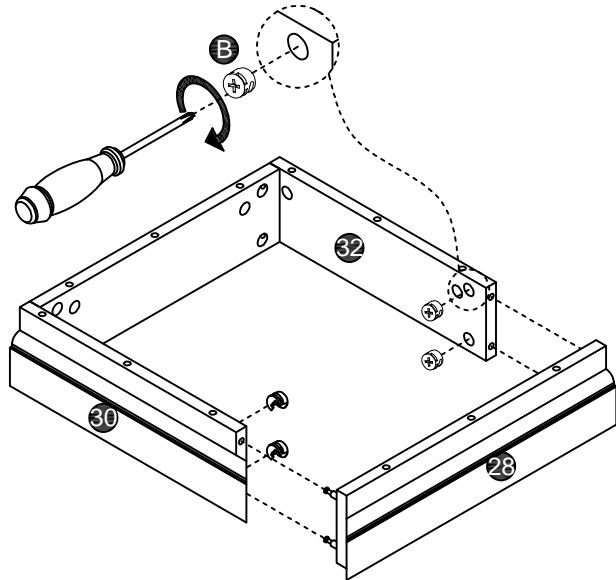
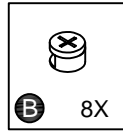
STEP 25






STEP 26

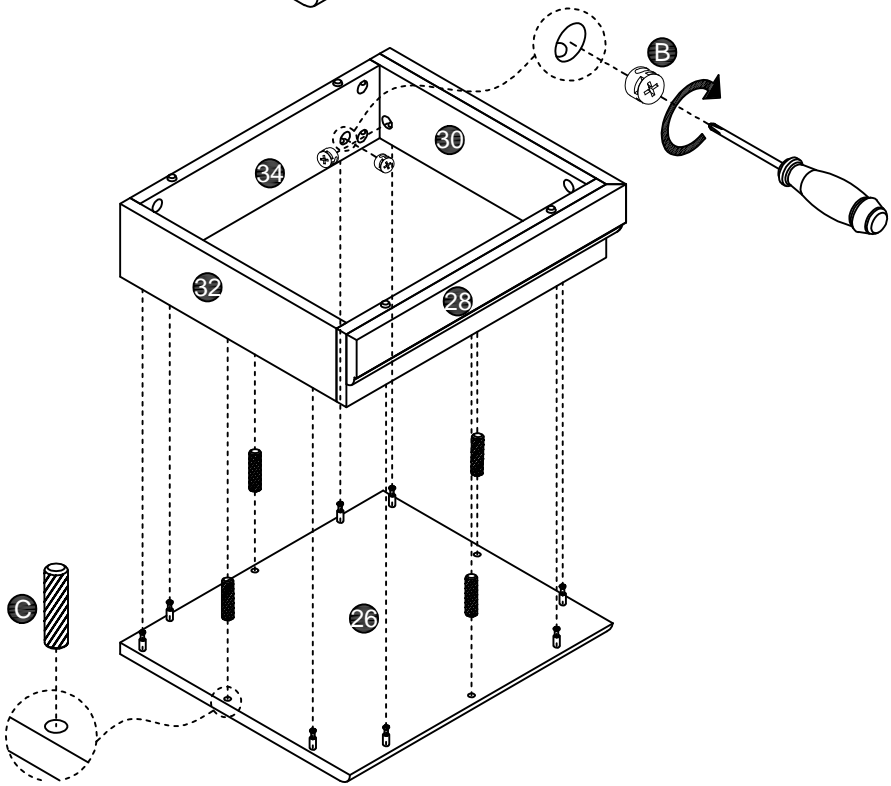
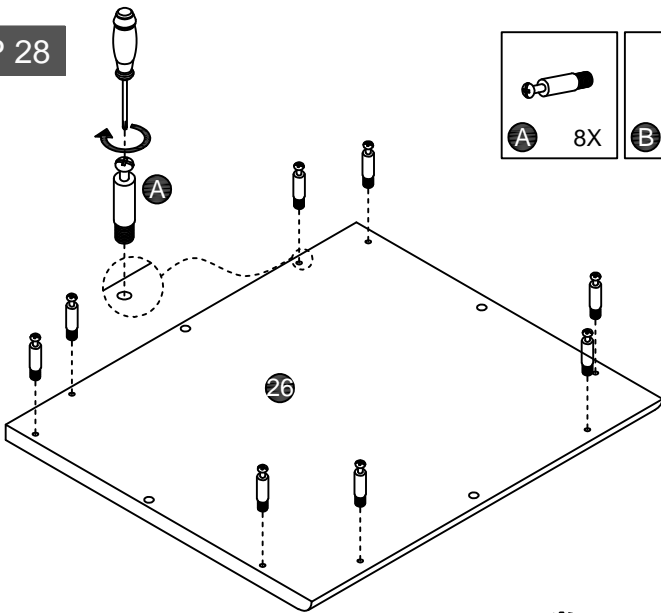


STEP 27






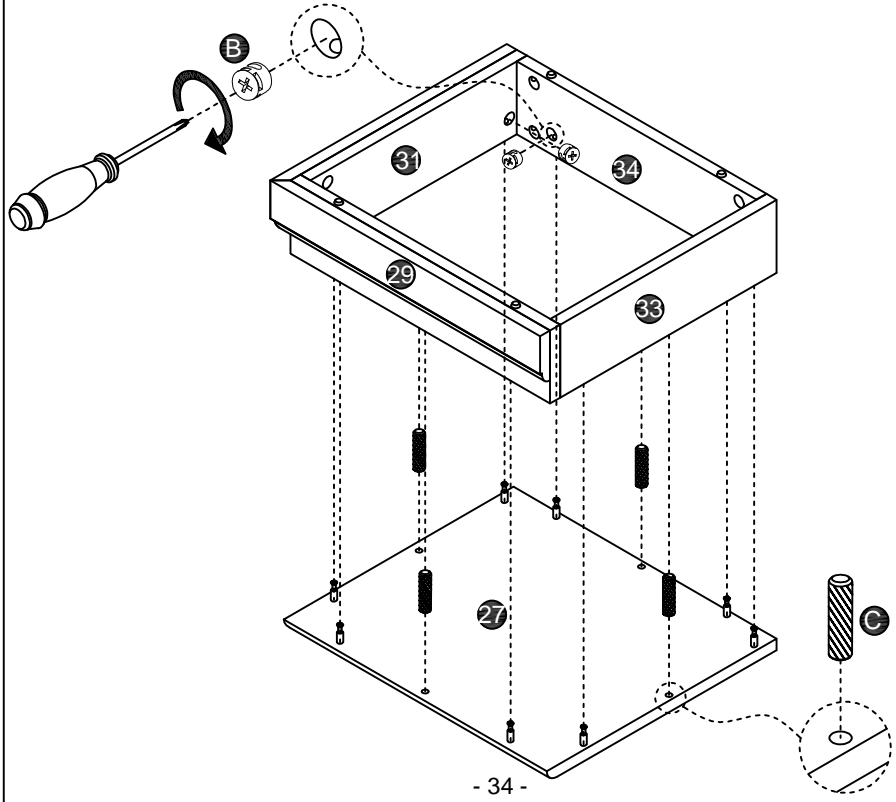
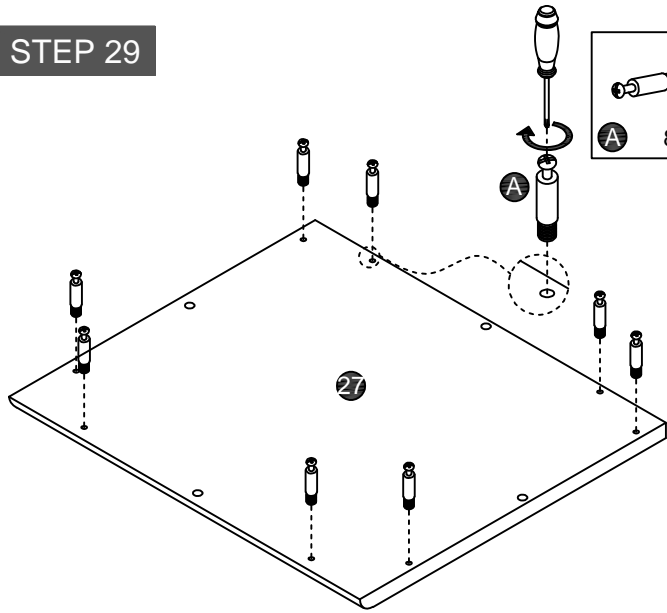
STEP 28

 A 8X	 B 8X	 C 4X
---	---	---

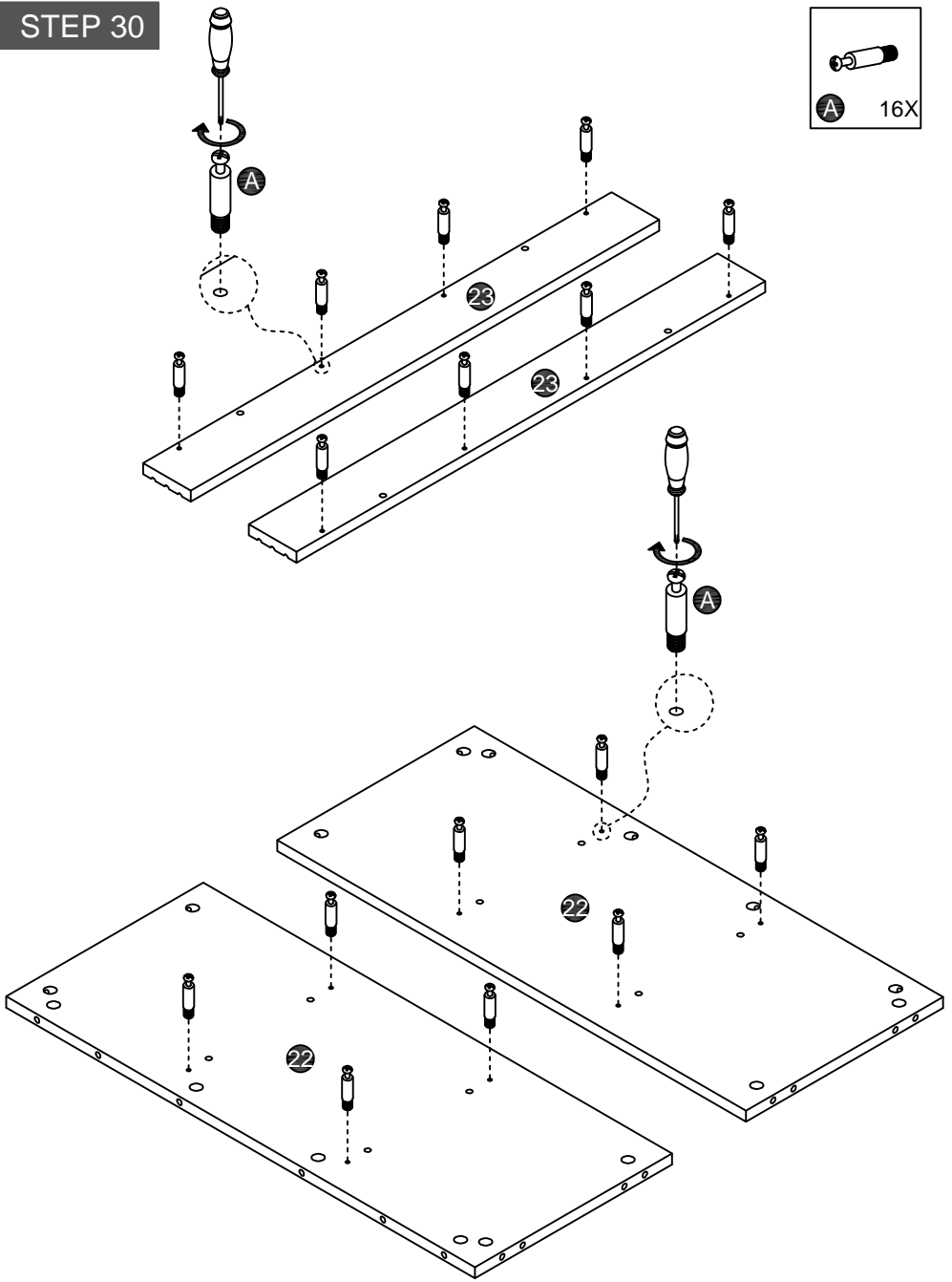
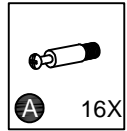


STEP 29

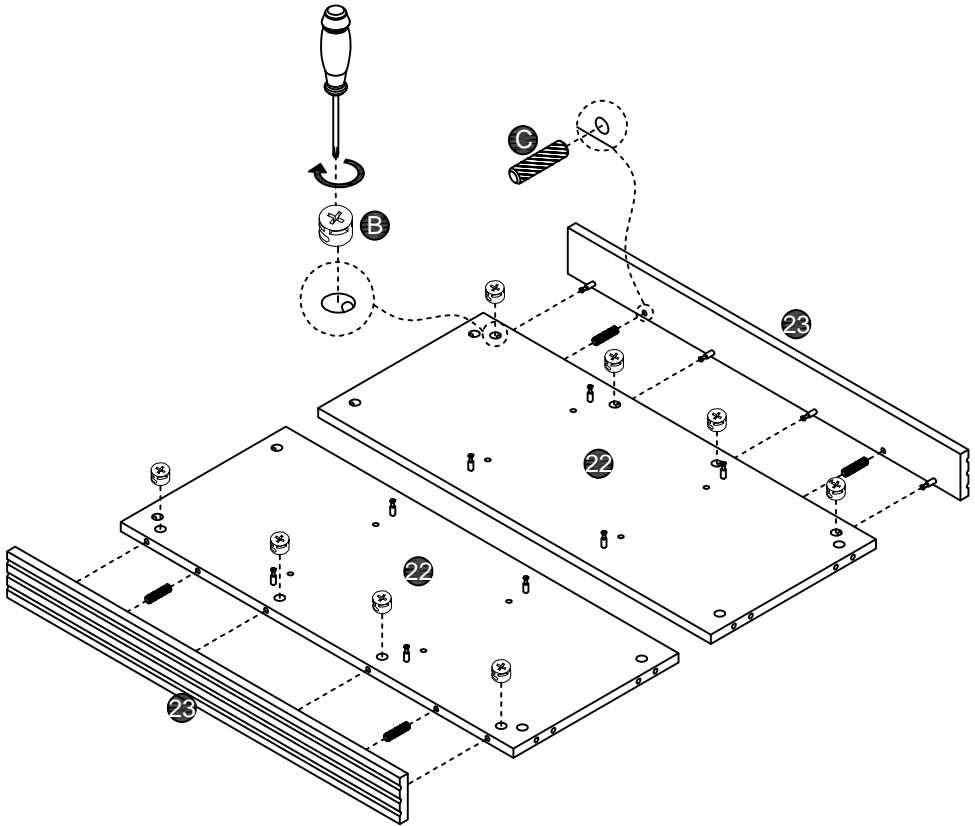
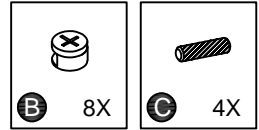
- A** 8X 
- B** 8X 
- C** 4X 





STEP 30

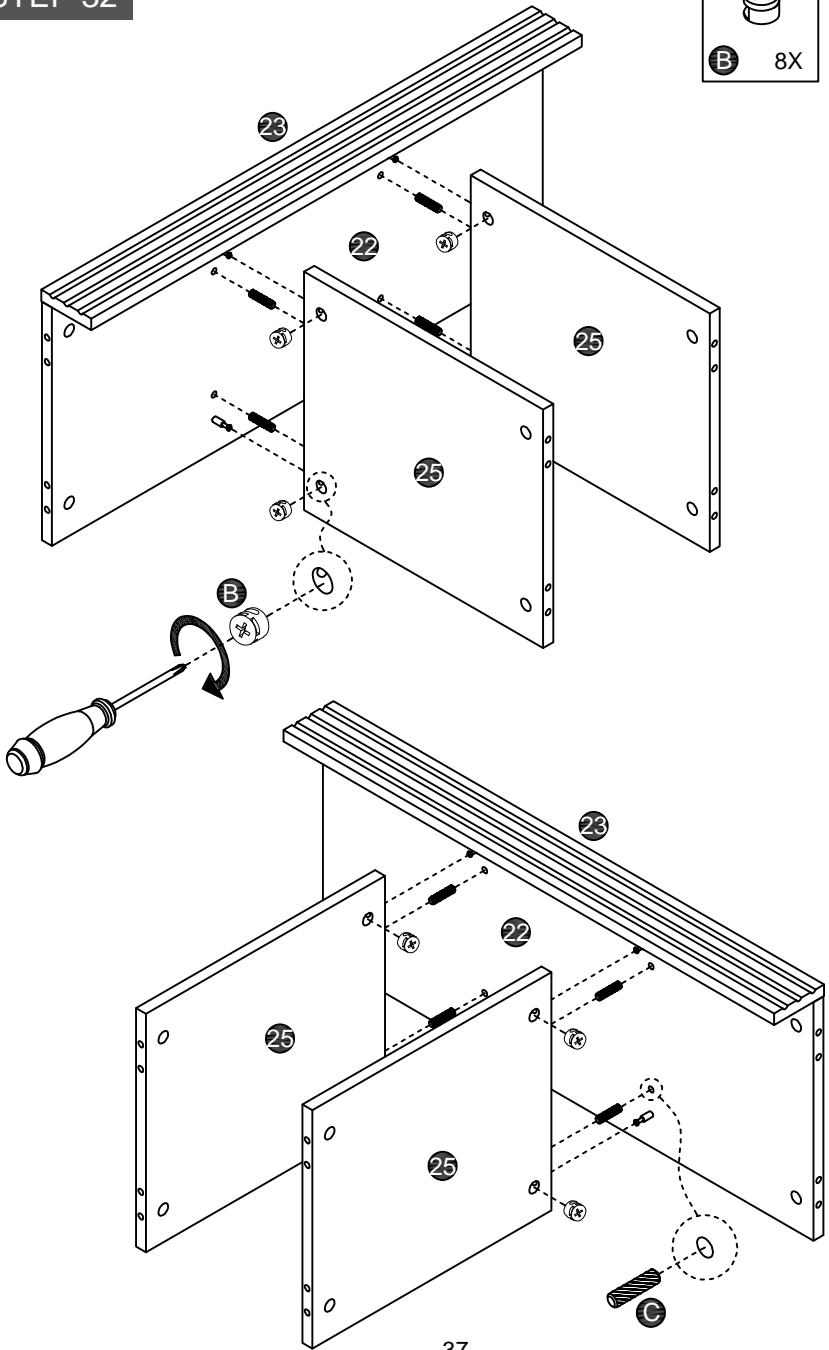


STEP 31

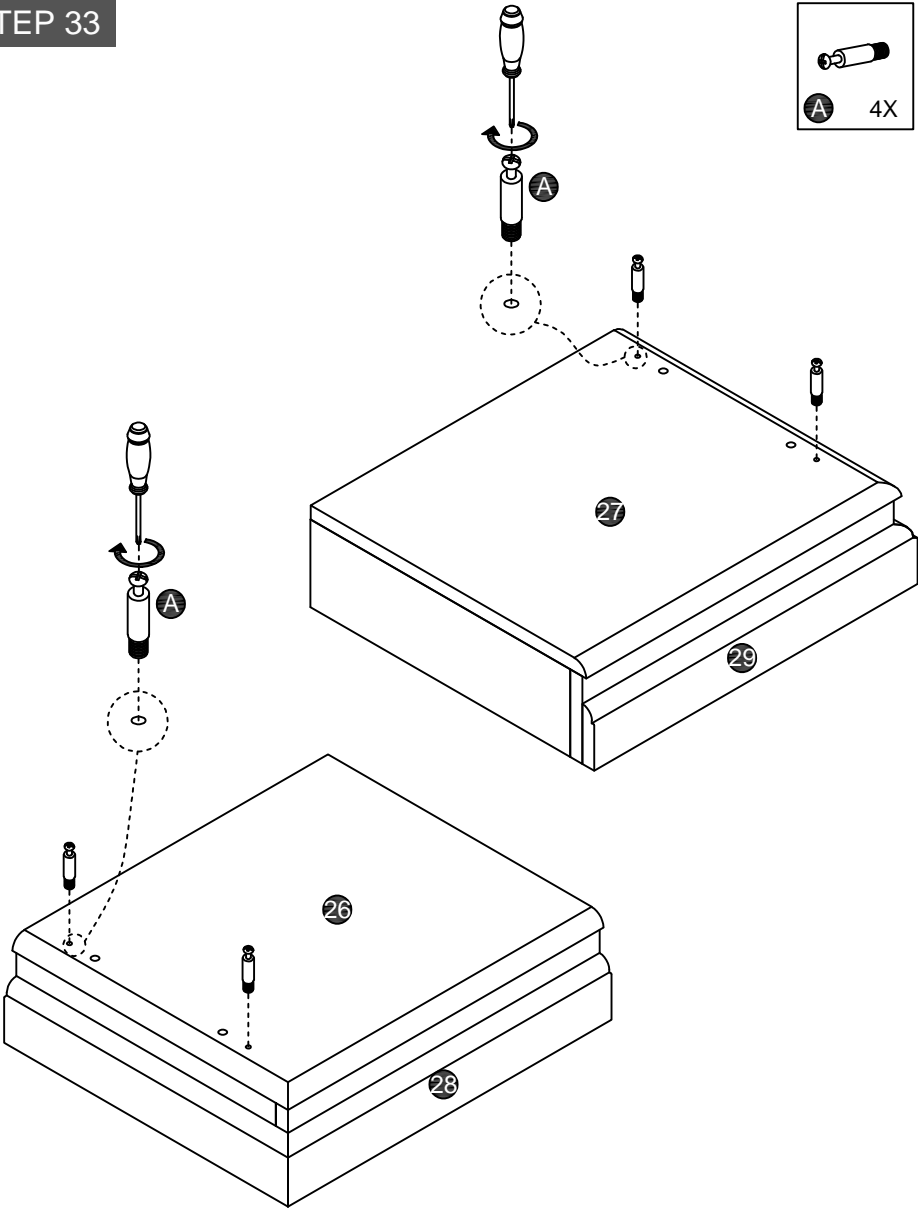
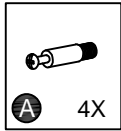


STEP 32

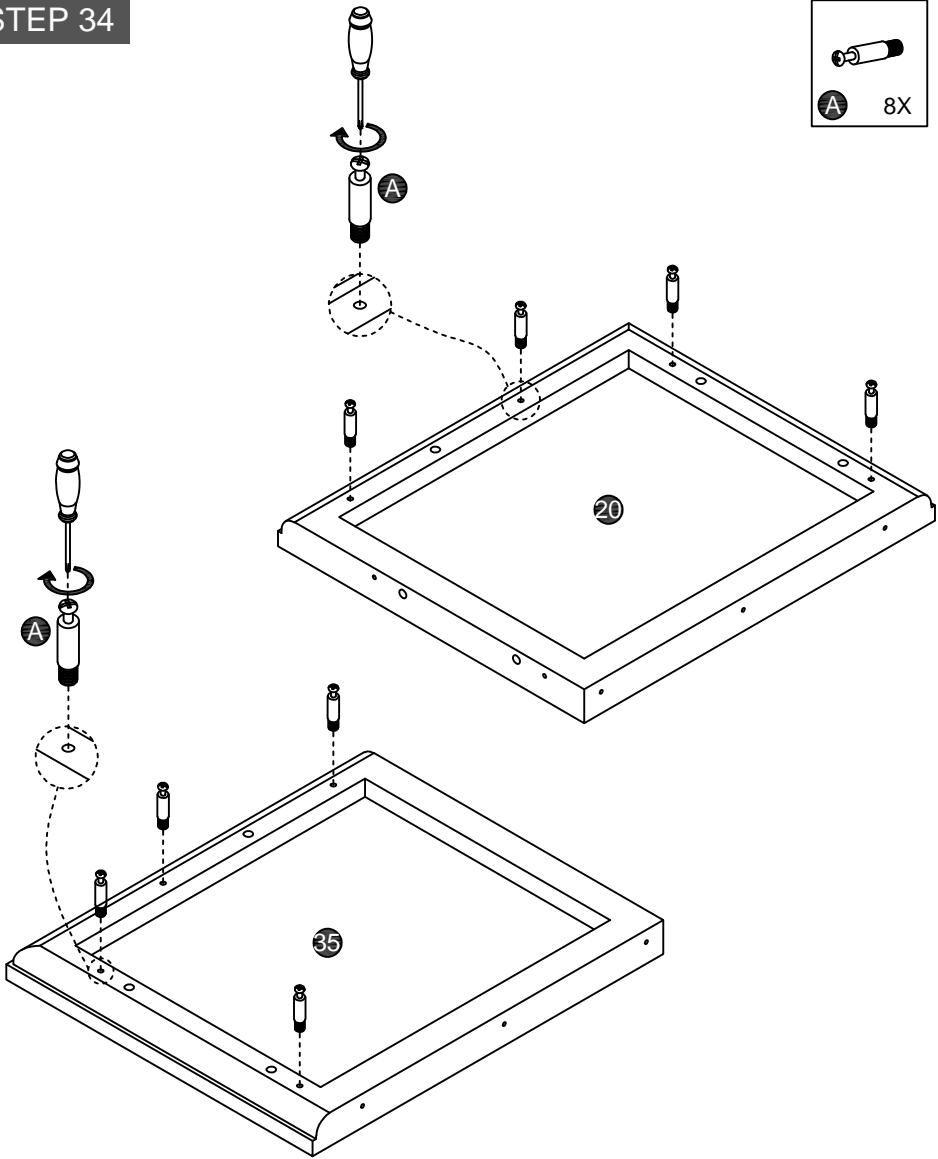
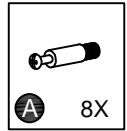
	
B 8X	C 8X





STEP 33

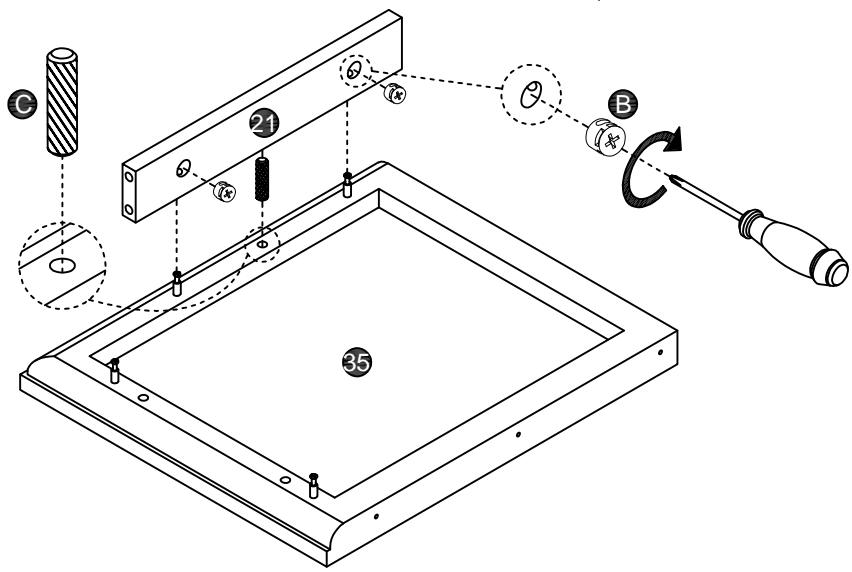
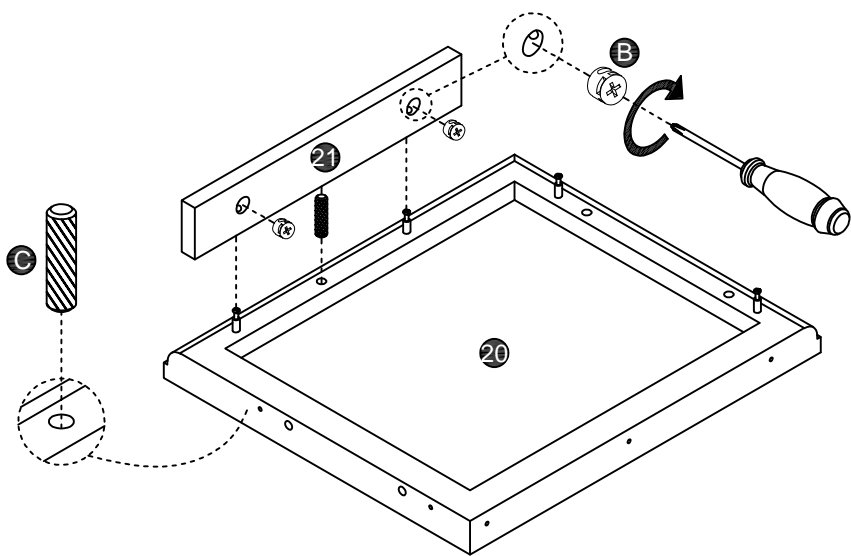


STEP 34

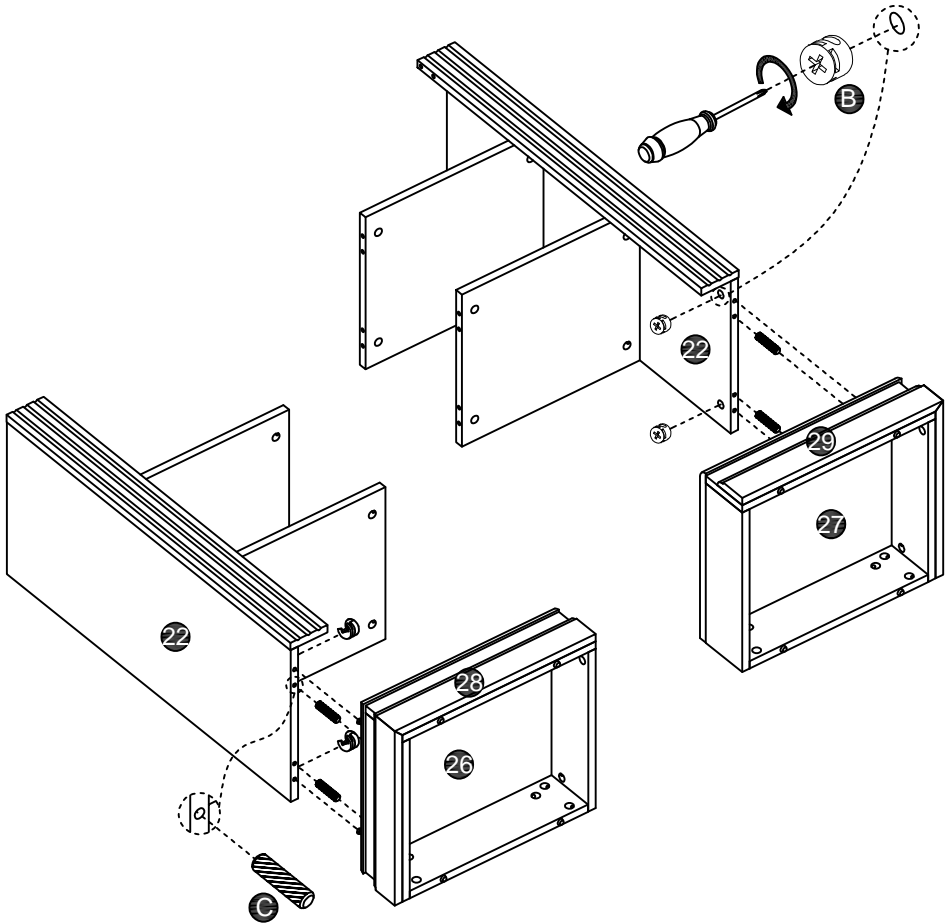
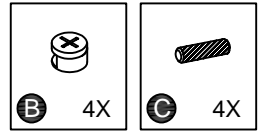


STEP 35



	
B 4X	C 2X

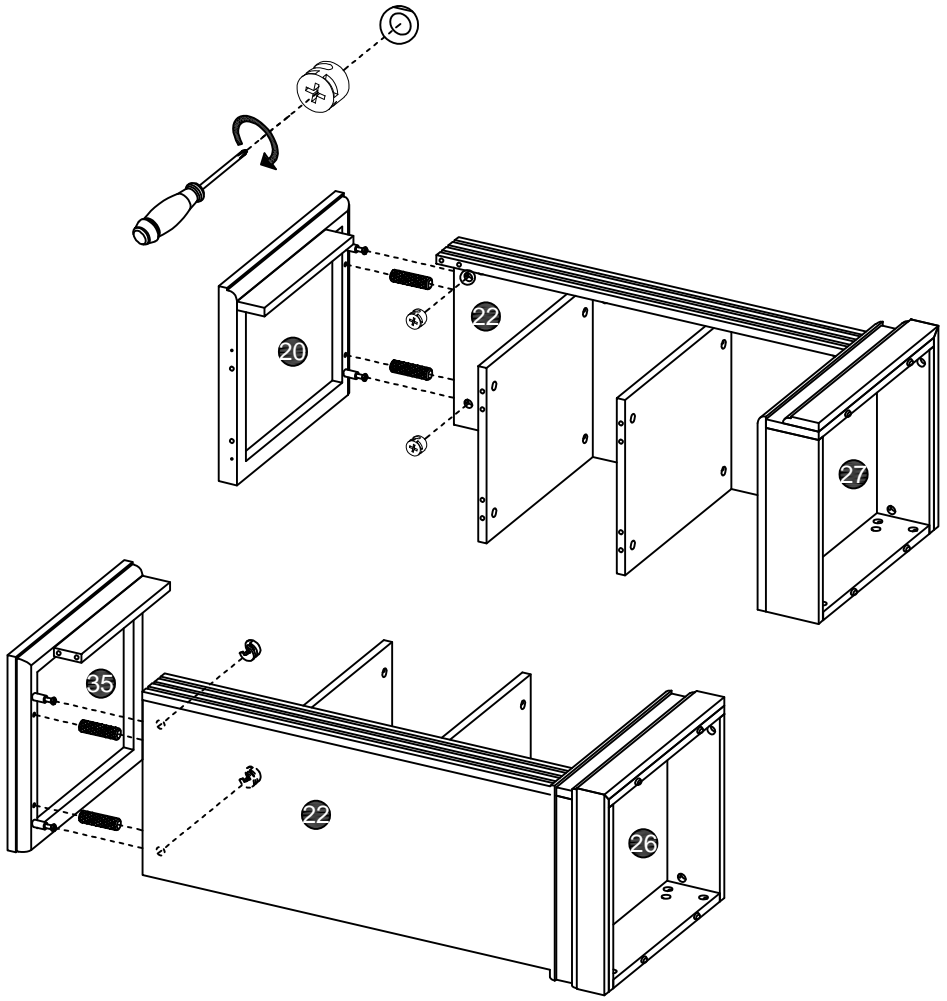


STEP 36






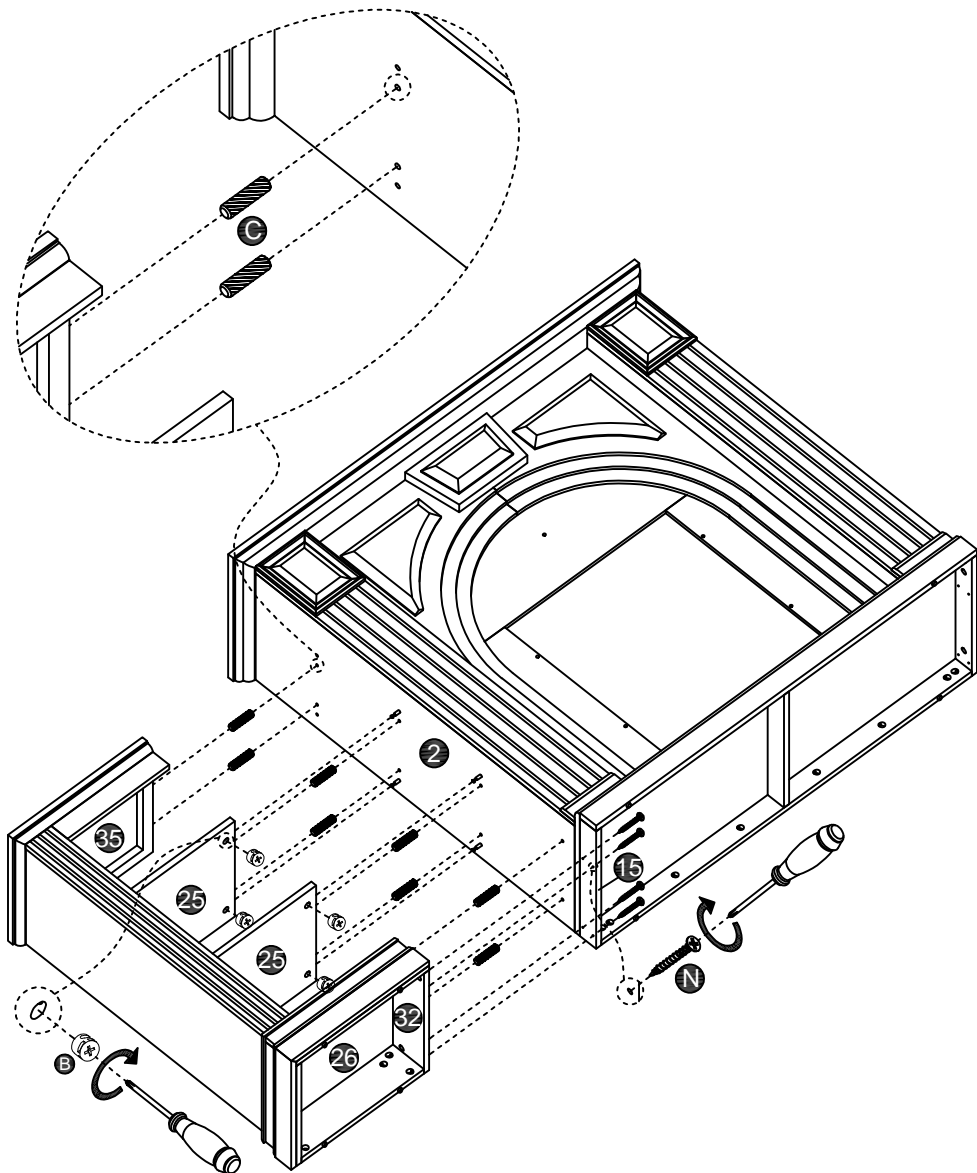
STEP 37

	
B 4X	C 4X






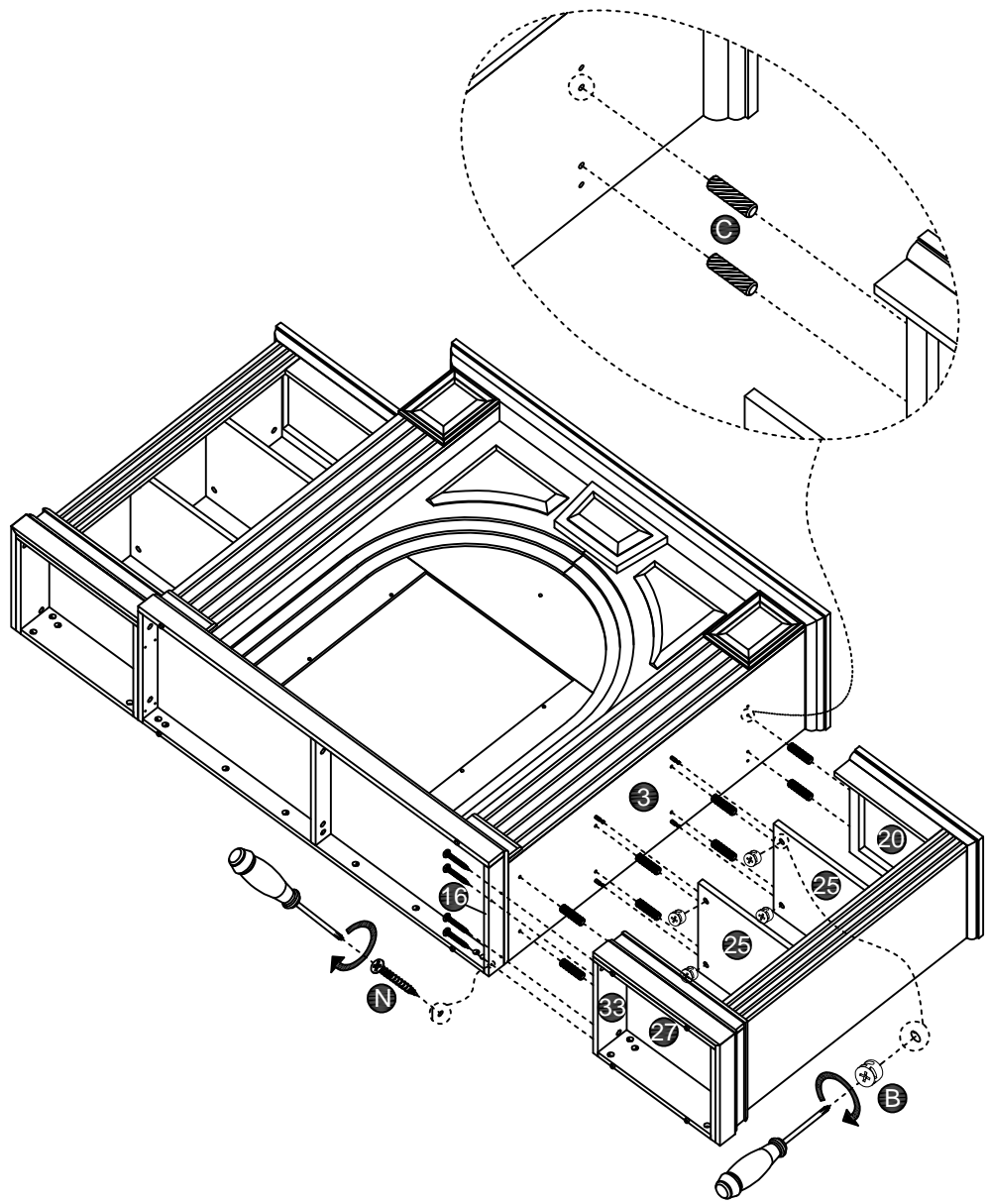
STEP 38

		
B 4X	C 8X	N 4X

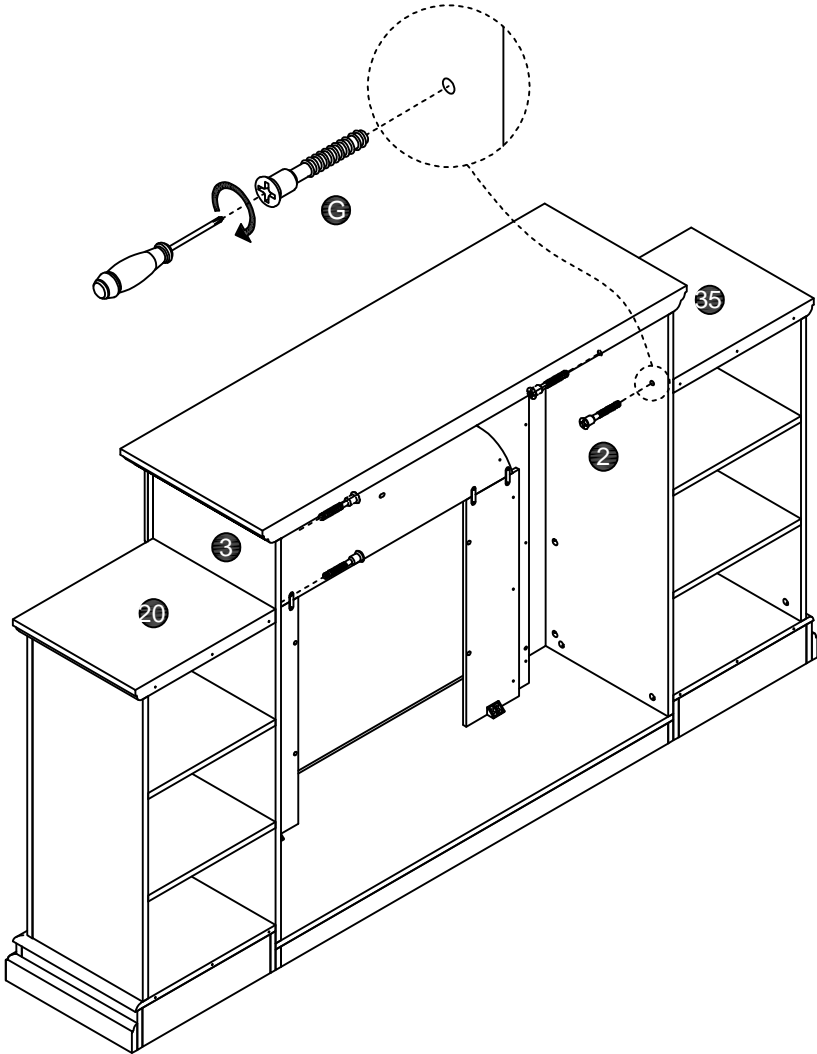


STEP 39

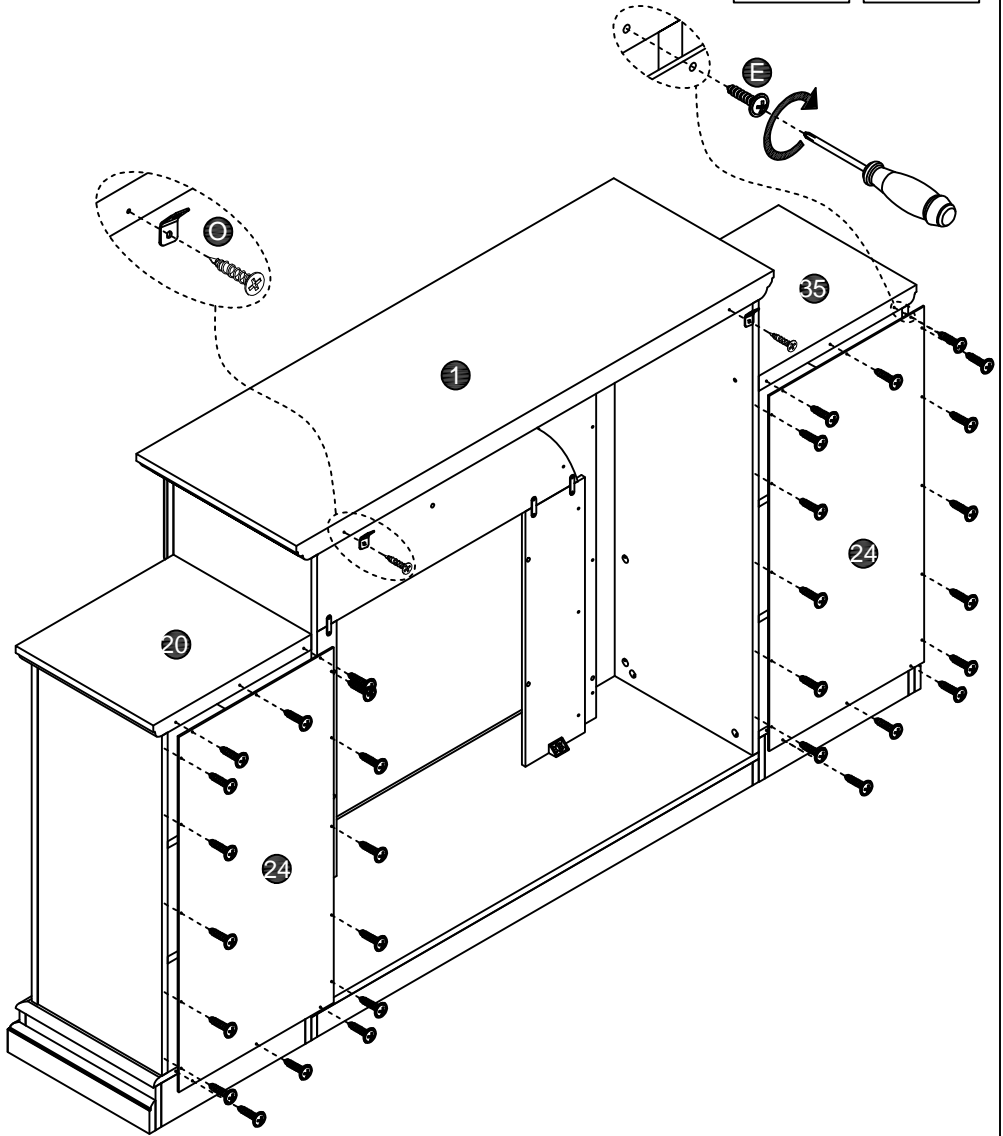
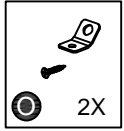
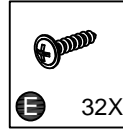
- | | | |
|---|---|--|
|  |  |  |
| B 4X | C 8X | N 4X |



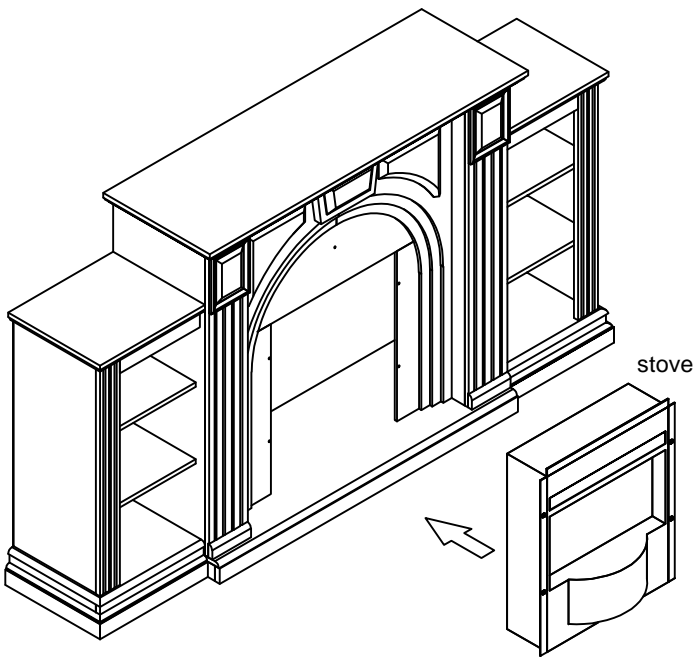
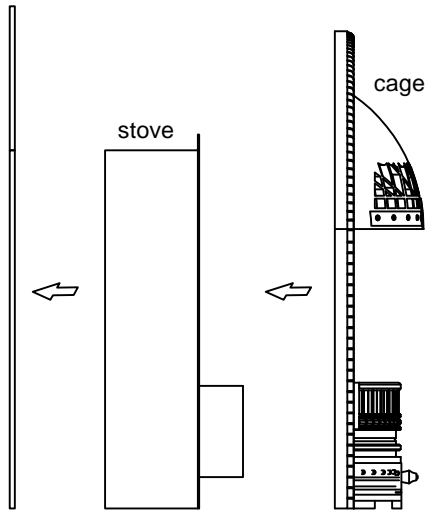
STEP 40



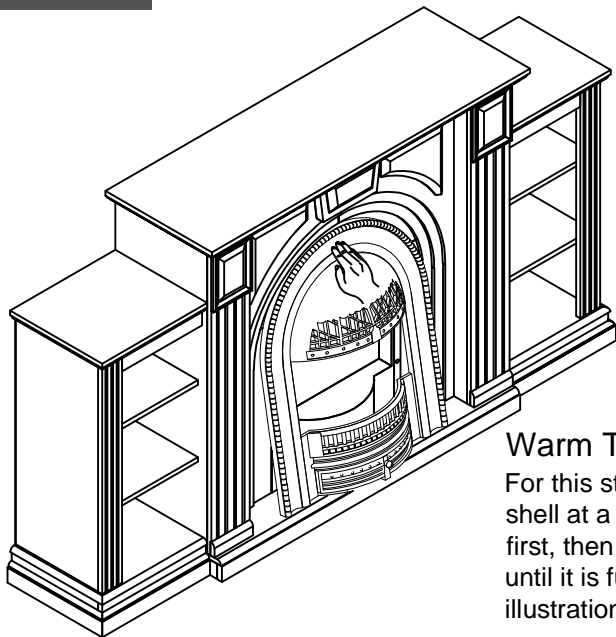
STEP 41



STEP 42

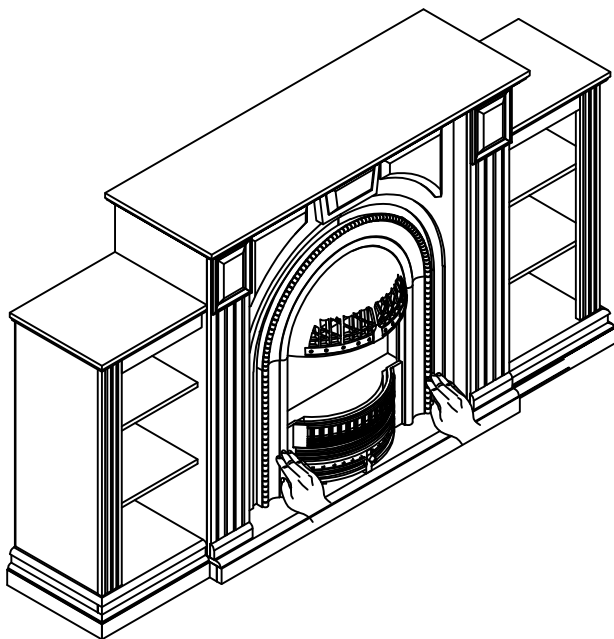


STEP 43

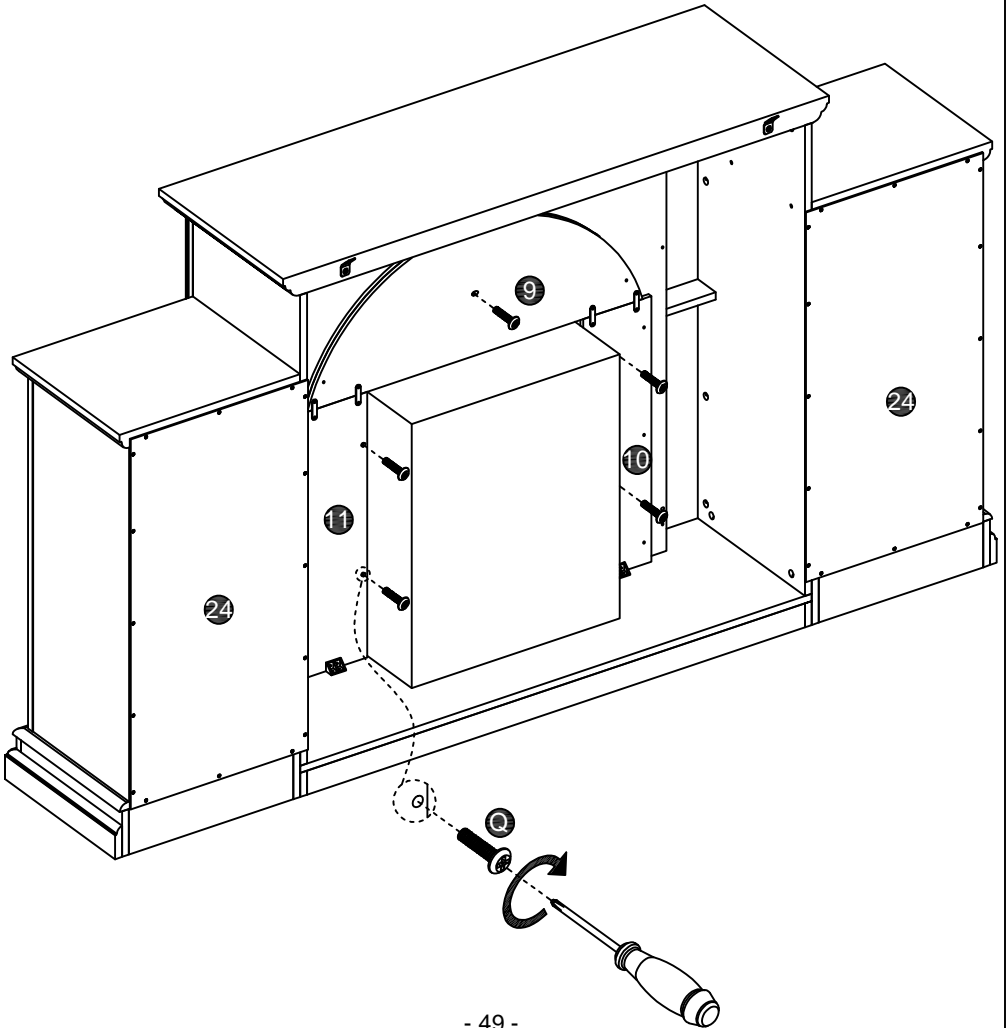


Warm Tips:

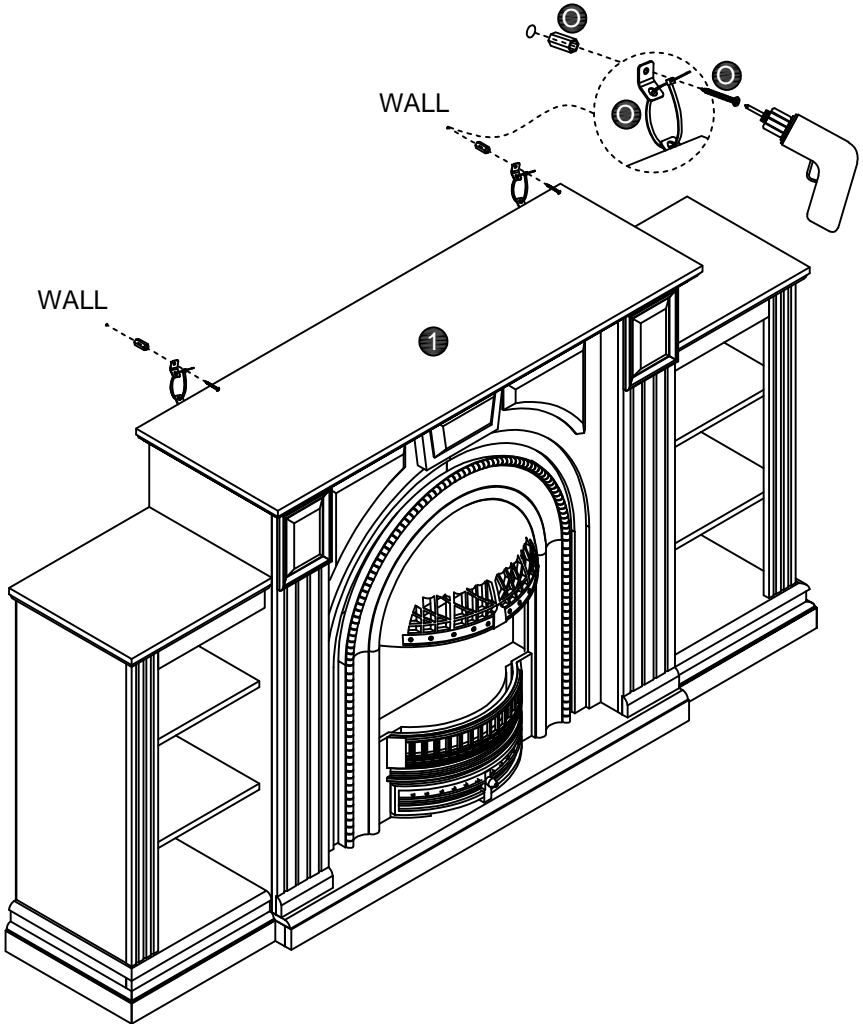
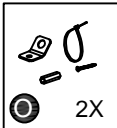
For this step, tilt the top of the furnace shell at a 45-degree angle and insert it first, then push the bottom horizontally until it is fully in place. Please refer to the illustration for details.



STEP 44



STEP 45



STEP 46

Finally, you got a birdcage stove cabinet

