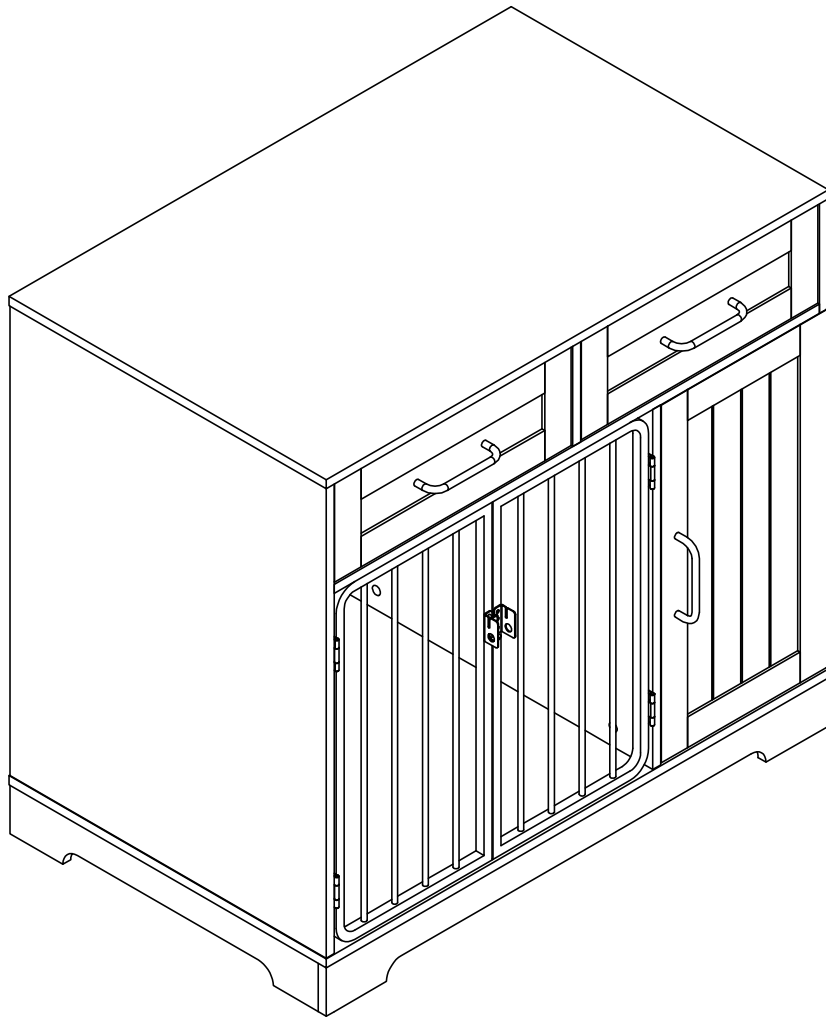
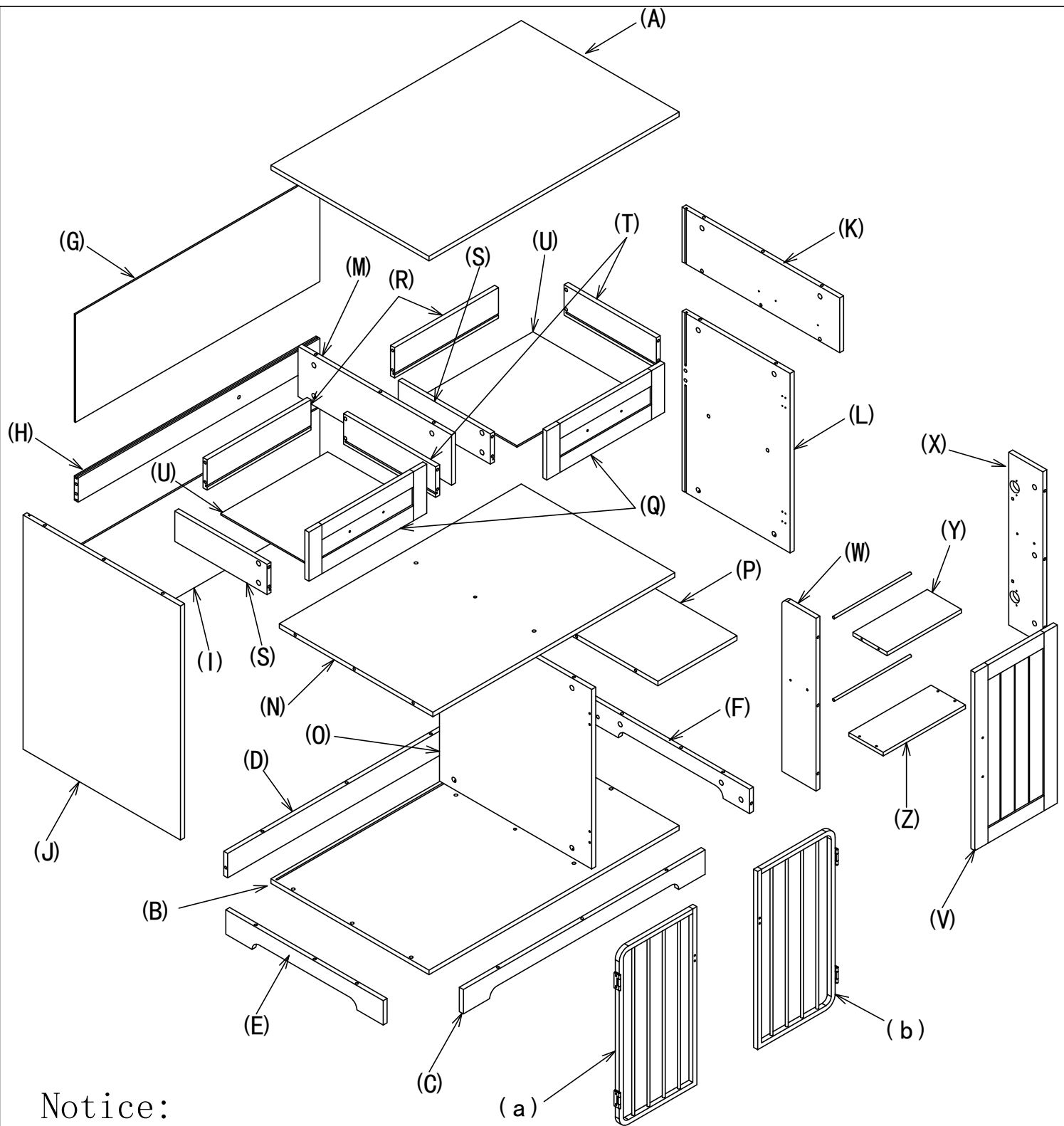


ASSEMBLY INSTRUCTIONS



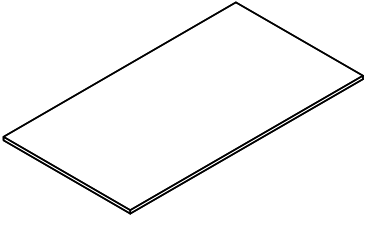
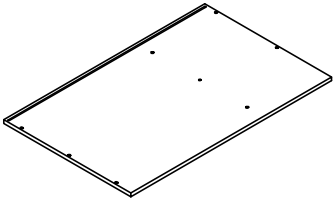
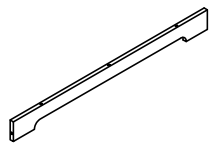
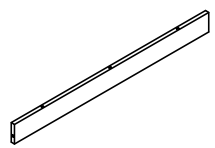
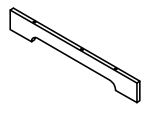
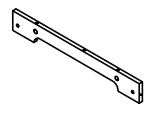
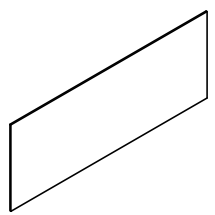
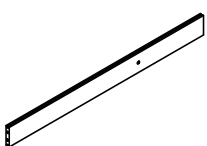
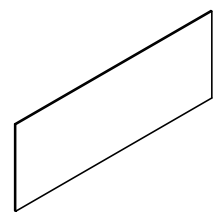
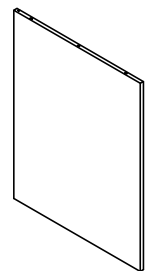
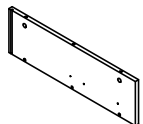
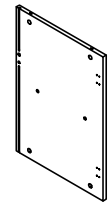
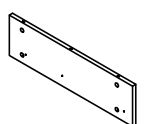
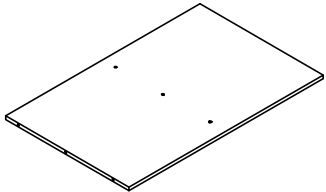
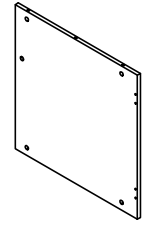
NOTE: 50% TIGHTEN BEFORE FIXING ALL BOLTS
N704P265255K



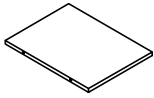
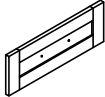
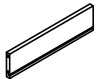
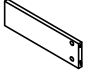
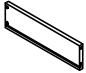
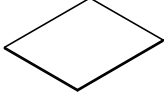
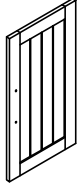


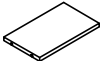
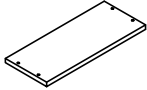

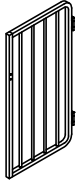
Notice:

1. 50% Tighten before fixing all screws, Allen wrench is recommended instead of an electric drill.
2. Place the item on a flat ground to adjust and make sure it remains stable.
3. Tighten up all screws with tools gradually.
4. If the screws are not aligned with holes during assembly, please loosen all the other screws to 50% and continue the assembly process.
5. If the item is not stable, please loosen all the screws, adjust it on a flat ground and tighten up all screws again.
6. Note : If one or some screws are fully tightened during assembly, chances are the others will not be aligned with holes. In addition, all the holes are designed to be relatively larger to provide more space for the adjustment of the screws.


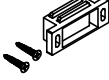

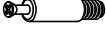

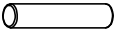
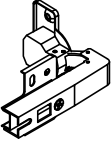

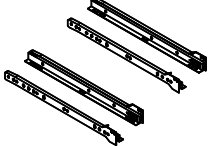
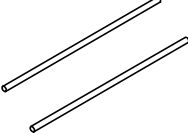





PART LIST

<p>A</p>  <p>Top Panel (1PC)</p>	<p>B</p>  <p>Bottom Panel (1PC)</p>	<p>C</p>  <p>Front Strip (1PC)</p>
<p>D</p>  <p>Base Strip (1PC)</p>	<p>E</p>  <p>Left Strip (1PC)</p>	<p>F</p>  <p>Right Strip (1PC)</p>
<p>G</p>  <p>Upper Backplane (1PC)</p>	<p>H</p>  <p>Pull Gear (1PC)</p>	<p>I</p>  <p>Lower Backplane (1PC)</p>
<p>J</p>  <p>Left Panel (1PC)</p>	<p>K</p>  <p>Upper Right Panel (1PC)</p>	<p>L</p>  <p>Lower Right Panel (1PC)</p>
<p>M</p>  <p>Upper Center Panel (1PC)</p>	<p>N</p>  <p>Upper Panel (1PC)</p>	<p>O</p>  <p>Lower Center Panel (1PC)</p>

PART LIST

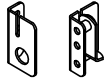
<p>P</p>  <p>Lower Panel (1PC)</p>	<p>Q</p>  <p>Drawer Panel (2PCS)</p>	<p>R</p>  <p>Drawer Back Panel (2PCS)</p>
<p>S</p>  <p>Drawer Left (2PCS)</p>	<p>T</p>  <p>Drawer Right (2PCS)</p>	<p>U</p>  <p>Drawer Bottom (2PCS)</p>
<p>V</p>  <p>Right Frame (1PC)</p>	<p>W</p>  <p>Inner Left Panel (1PC)</p>	<p>X</p>  <p>Inner Right Panel (1PC)</p>
<p>Y</p>  <p>Inner Panel (1PC)</p>	<p>Z</p>  <p>Inner Bottom Panel (1PC)</p>	<p>a</p>  <p>Left Frame (1PC)</p>
<p>b</p>  <p>Center Frame (1PC)</p>		

HARDWARE LIST

<div style="border: 1px solid black; width: 30px; height: 30px; margin: 0 auto; display: flex; align-items: center; justify-content: center;">1</div> <div style="text-align: center; margin: 10px 0;">  </div> <p style="text-align: center;">Bolt M5*40 (8PCS)</p>	<div style="border: 1px solid black; width: 30px; height: 30px; margin: 0 auto; display: flex; align-items: center; justify-content: center;">2</div> <div style="text-align: center; margin: 10px 0;">  </div> <p style="text-align: center;">Door Suction (1PC) Wood Screw M3*16 (2PCS)</p>	<div style="border: 1px solid black; width: 30px; height: 30px; margin: 0 auto; display: flex; align-items: center; justify-content: center;">3</div> <div style="text-align: center; margin: 10px 0;">  </div> <p style="text-align: center;">Wood Screw M3.5*16 (12PCS)</p>
<div style="border: 1px solid black; width: 30px; height: 30px; margin: 0 auto; display: flex; align-items: center; justify-content: center;">4</div> <div style="text-align: center; margin: 10px 0;">  </div> <p style="text-align: center;">Cam Bolt (67PCS)</p>	<div style="border: 1px solid black; width: 30px; height: 30px; margin: 0 auto; display: flex; align-items: center; justify-content: center;">5</div> <div style="text-align: center; margin: 10px 0;">  </div> <p style="text-align: center;">Big Cam Lock (67PCS)</p>	<div style="border: 1px solid black; width: 30px; height: 30px; margin: 0 auto; display: flex; align-items: center; justify-content: center;">6</div> <div style="text-align: center; margin: 10px 0;">  </div> <p style="text-align: center;">Wood Dowel $\phi 8*40$ (11PCS)</p>
<div style="border: 1px solid black; width: 30px; height: 30px; margin: 0 auto; display: flex; align-items: center; justify-content: center;">7</div> <div style="text-align: center; margin: 10px 0;">  </div> <p style="text-align: center;">90°-Hinge (2PCS)</p>	<div style="border: 1px solid black; width: 30px; height: 30px; margin: 0 auto; display: flex; align-items: center; justify-content: center;">8</div> <div style="text-align: center; margin: 10px 0;">  </div> <p style="text-align: center;">Handle (1PC) Bolt M4*20 (2PCS)</p>	<div style="border: 1px solid black; width: 30px; height: 30px; margin: 0 auto; display: flex; align-items: center; justify-content: center;">9</div> <div style="text-align: center; margin: 10px 0;">  </div> <p style="text-align: center;">Sliding Rail (2SETS)</p>
<div style="border: 1px solid black; width: 30px; height: 30px; margin: 0 auto; display: flex; align-items: center; justify-content: center;">10</div> <div style="text-align: center; margin: 10px 0;">  </div> <p style="text-align: center;">Circular Tube (2PCS)</p>	<div style="border: 1px solid black; width: 30px; height: 30px; margin: 0 auto; display: flex; align-items: center; justify-content: center;">11</div> <div style="text-align: center; margin: 10px 0;">  </div> <p style="text-align: center;">Backplane Buckle (12PCS)</p>	<div style="border: 1px solid black; width: 30px; height: 30px; margin: 0 auto; display: flex; align-items: center; justify-content: center;">12</div> <div style="text-align: center; margin: 10px 0;">  </div> <p style="text-align: center;">Black Wood Screw M3.5*12 (8PCS)</p>
<div style="border: 1px solid black; width: 30px; height: 30px; margin: 0 auto; display: flex; align-items: center; justify-content: center;">13</div> <div style="text-align: center; margin: 10px 0;">  </div> <p style="text-align: center;">Wood Screw M3.5*12 (20PCS)</p>	<div style="border: 1px solid black; width: 30px; height: 30px; margin: 0 auto; display: flex; align-items: center; justify-content: center;">14</div> <div style="text-align: center; margin: 10px 0;">  </div> <p style="text-align: center;">Handle (2PCS) Bolt M4*10 (4PCS)</p>	<div style="border: 1px solid black; width: 30px; height: 30px; margin: 0 auto; display: flex; align-items: center; justify-content: center;">15</div> <div style="text-align: center; margin: 10px 0;">  </div> <p style="text-align: center;">Beauty Paste (67PCS)</p>

HARDWARE LIST

16



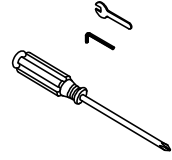
Lock The Door (1SET)

17



Black Bolt M4*20 (4SETS)

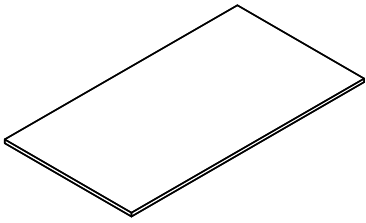
18



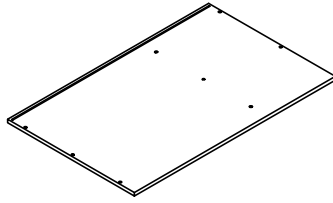
Allen Key 3mm (1PC)
Open Spanner (1PC)

CARTON CONTENT:

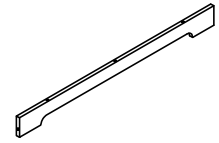
N704P265255K:



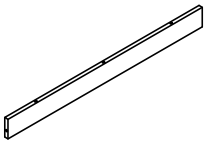
A Top Panel (1PC)



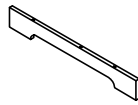
B Bottom Panel (1PC)



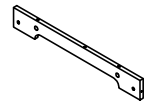
C Front Strip (1PC)



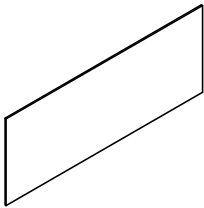
D Base Strip (1PC)



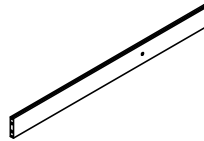
E Left Strip (1PC)



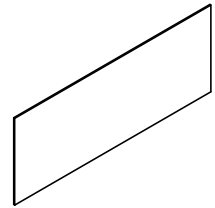
F Right Strip (1PC)



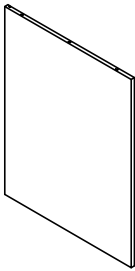
G Upper Backplane (1PC)



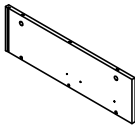
H Pull Gear (1PC)



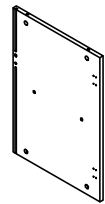
I Lower Backplane (1PC)



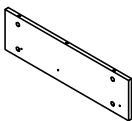
J Left Panel (1PC)



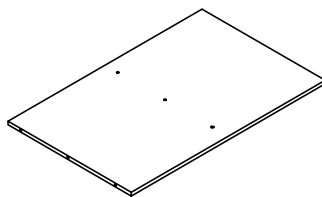
K Upper Right Panel (1PC)



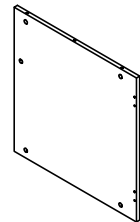
L Lower Right Panel (1PC)



M Upper Center Panel (1PC)



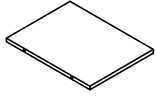
N Upper Panel (1PC)



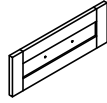
O Lower Center Panel (1PC)

CARTON CONTENT:

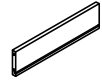
N704P265255K:



P Lower Panel (1PC)



Q Drawer Panel (2PCS)



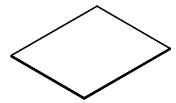
R Drawer Back Panel (2PCS)



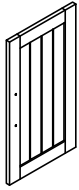
S Drawer Left (2PCS)



T Drawer Right (2PCS)



U Drawer Bottom (2PCS)



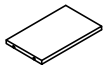
V Right Frame (1PC)



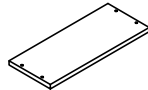
W Inner Left Panel (1PC)



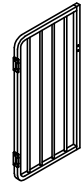
X Inner Right Panel (1PC)



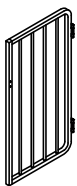
Y Inner Panel (1PC)



Z Inner Bottom Panel (1PC)

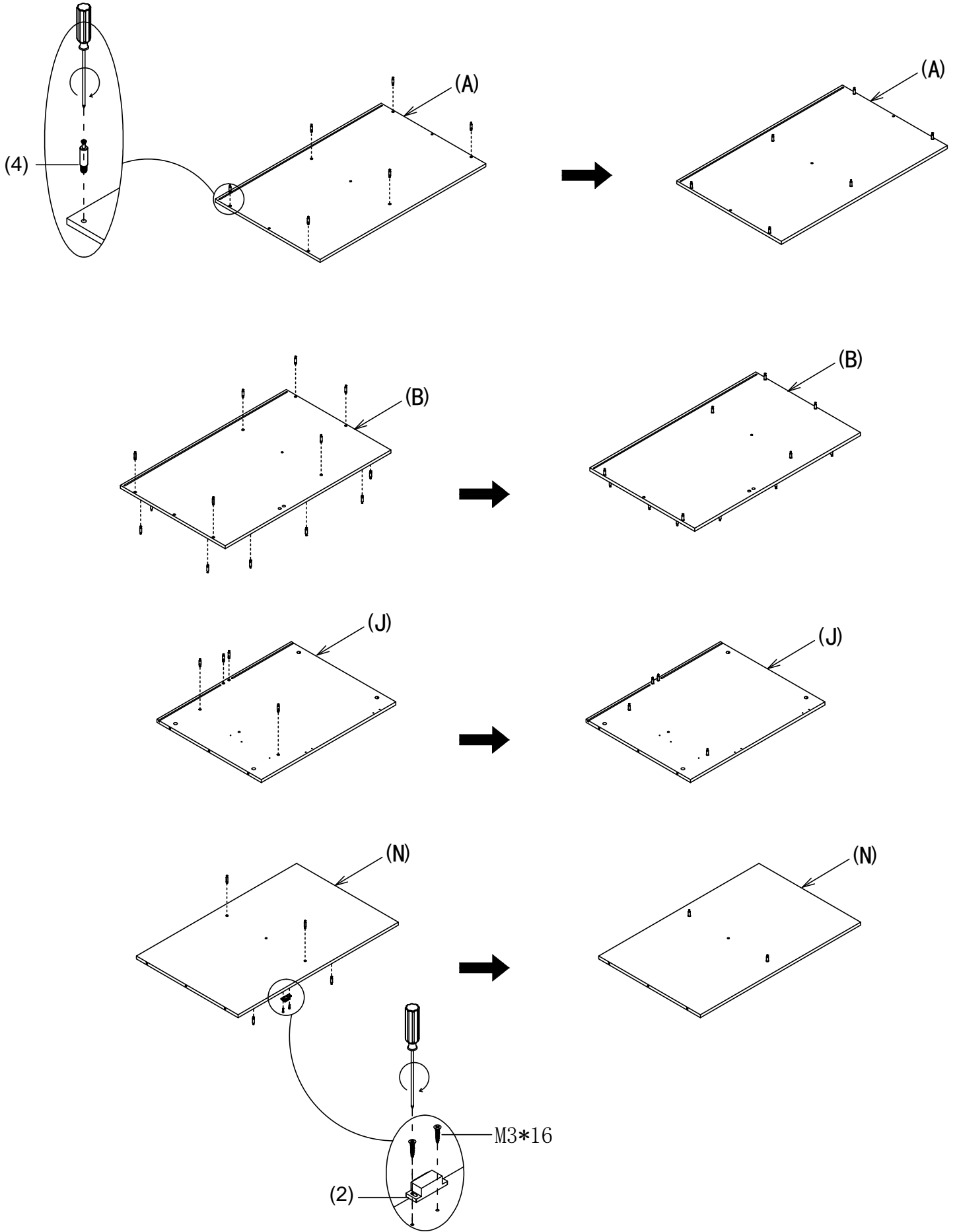



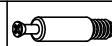
a Left Frame (1PC)



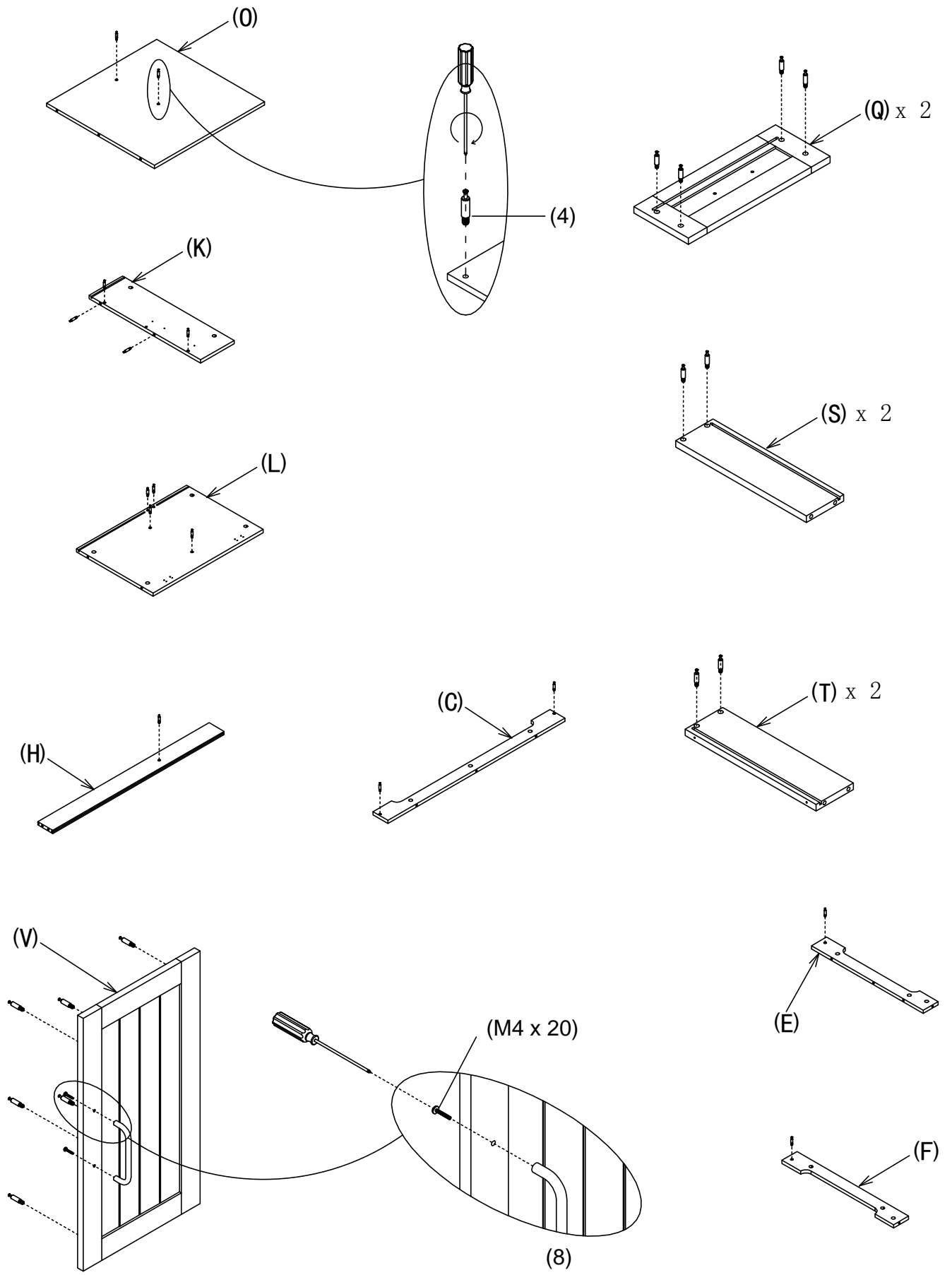
b Center Frame (1PC)

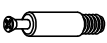

STEP 1



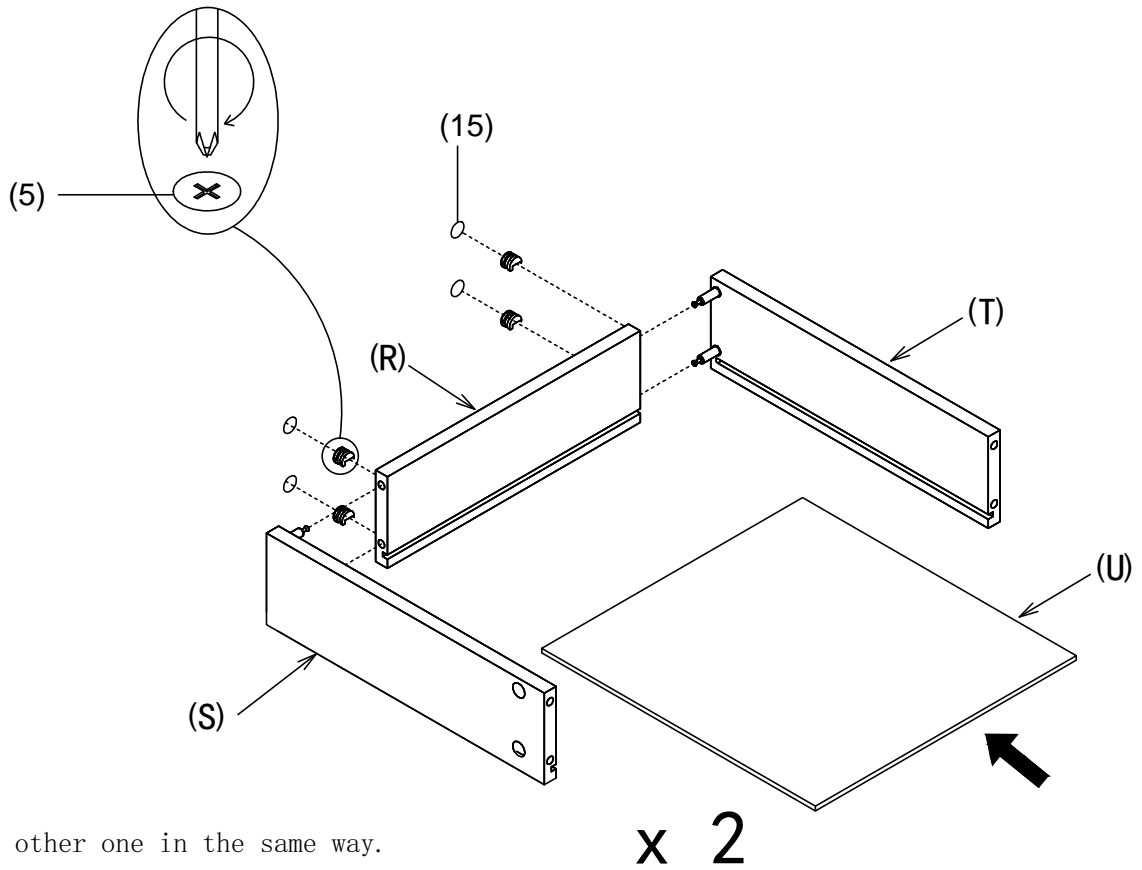
2		Door Suction/Wood Screw	1PC	4		Cam Bolt	30PCS
---	---	-------------------------	-----	---	---	----------	-------

STEP 2



4		Cam Bolt	37PCS	8		Handle/Bolt M4*20	1PC
---	---	----------	-------	---	---	-------------------	-----

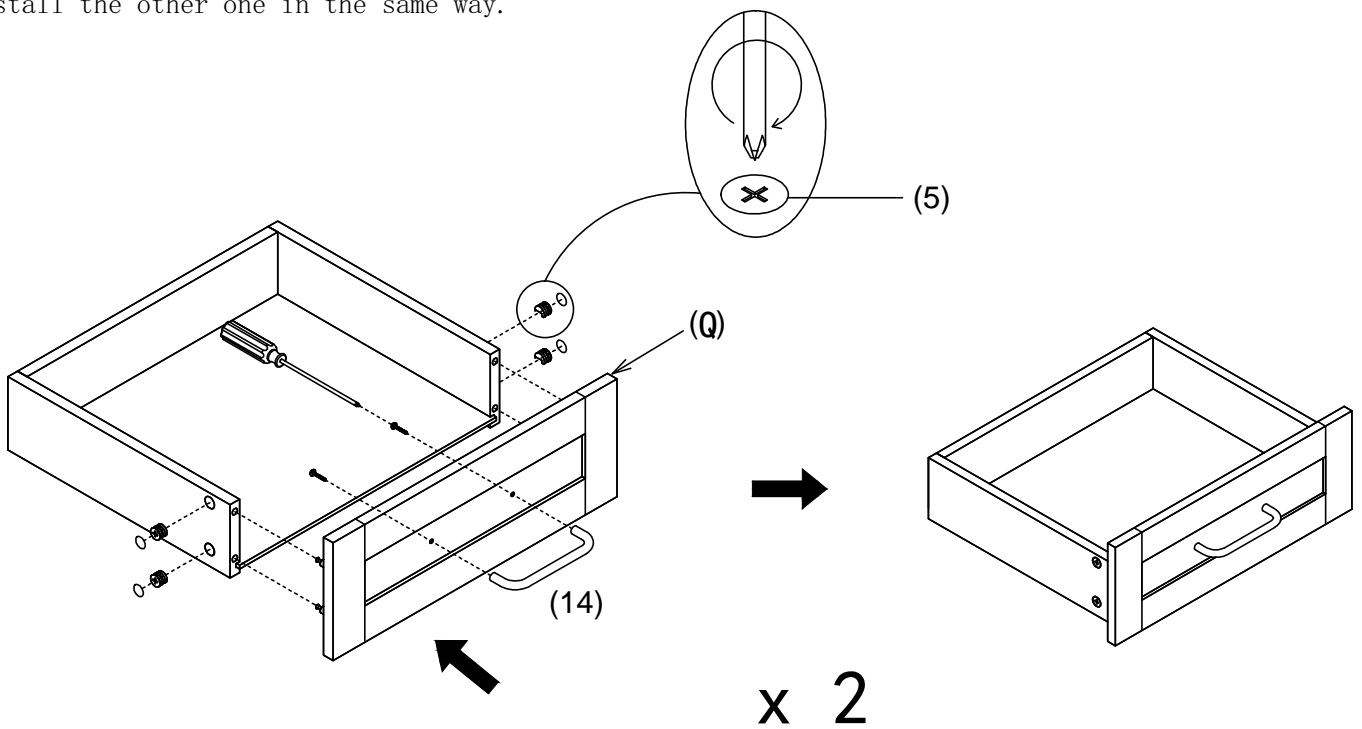
STEP 3






5		Big Cam Lock	8PCS	15		Beauty Paste	8PCS
---	---	--------------	------	----	---	--------------	------

STEP 4

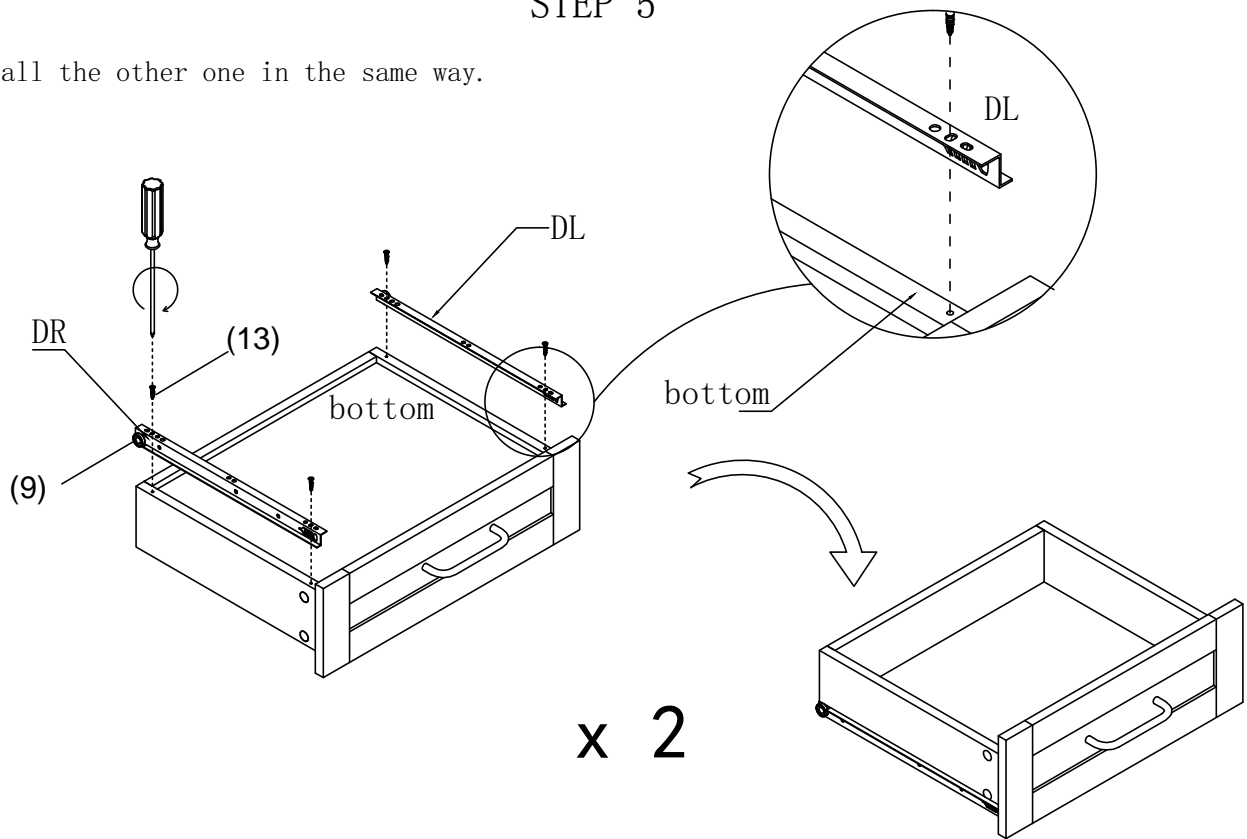
Install the other one in the same way.



5		Big Cam Lock	8PCS	15		Beauty Paste	8PCS
14		Handle/Bolt M4*10	2PCS				

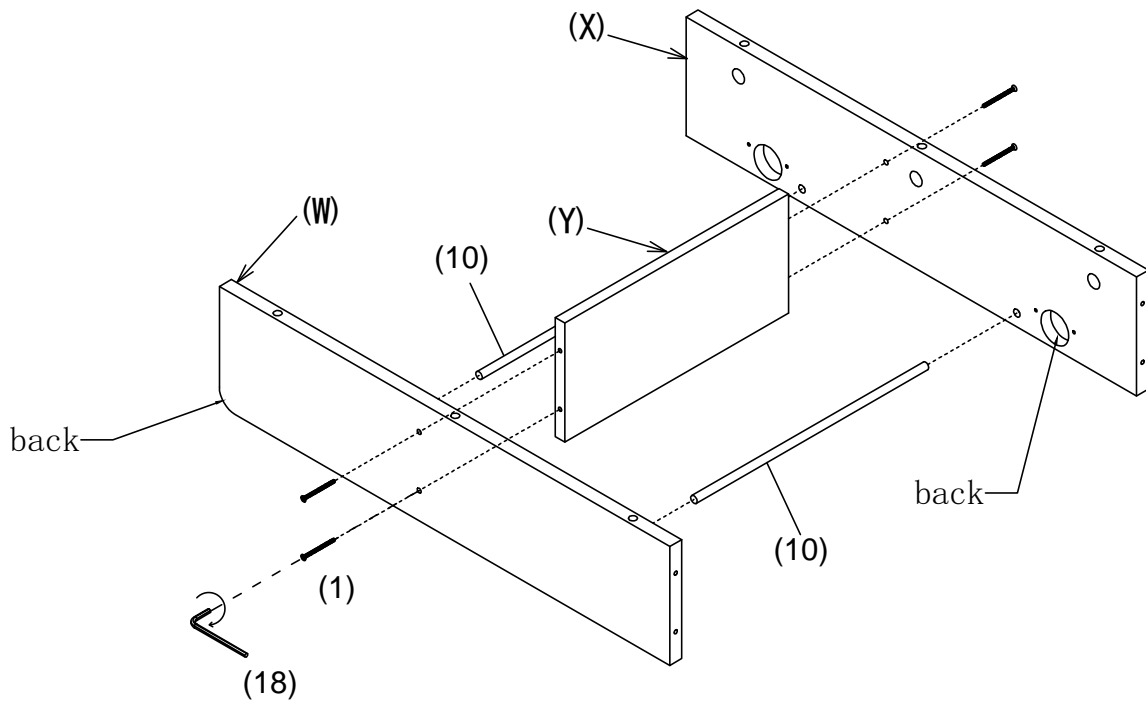
STEP 5




Install the other one in the same way.



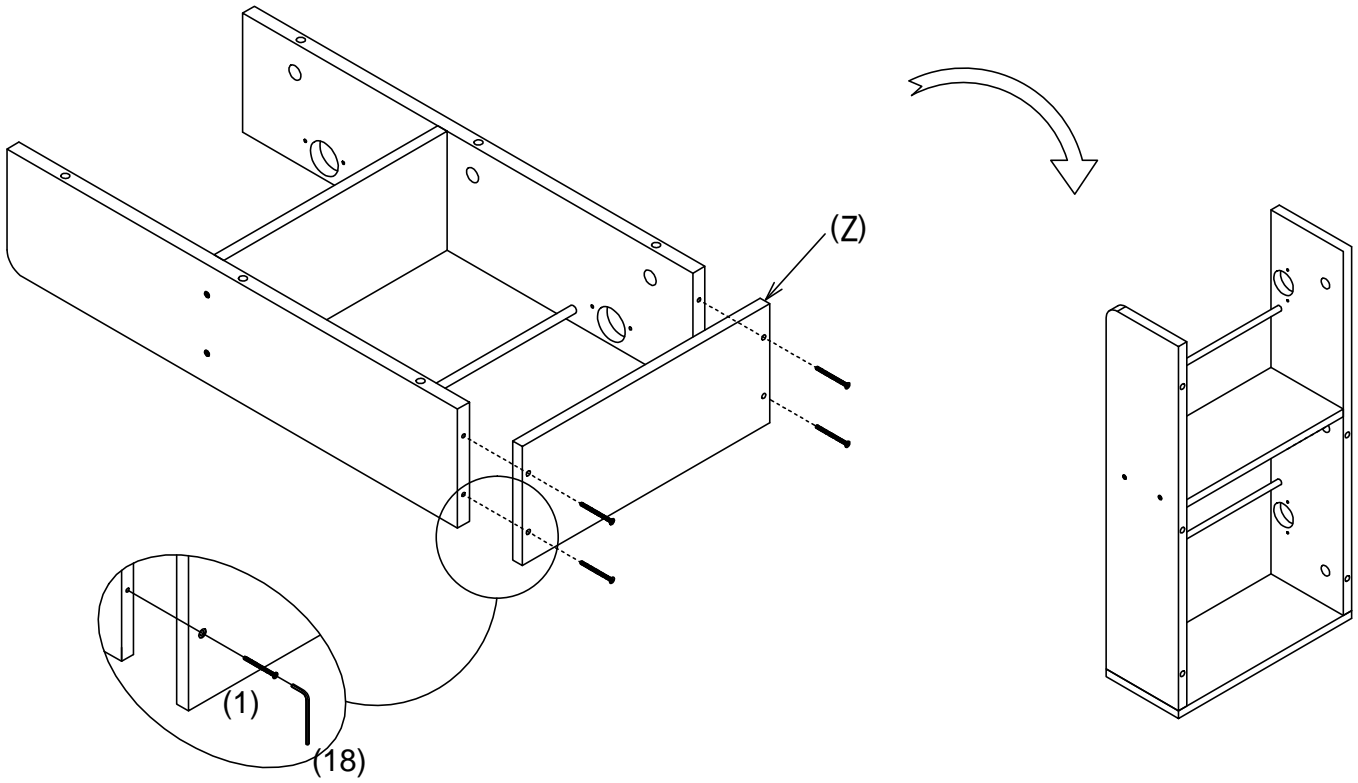
9		Sliding Rail	2SETS	13		Wood Screw	8PCS
---	---	--------------	-------	----	---	------------	------

STEP 6



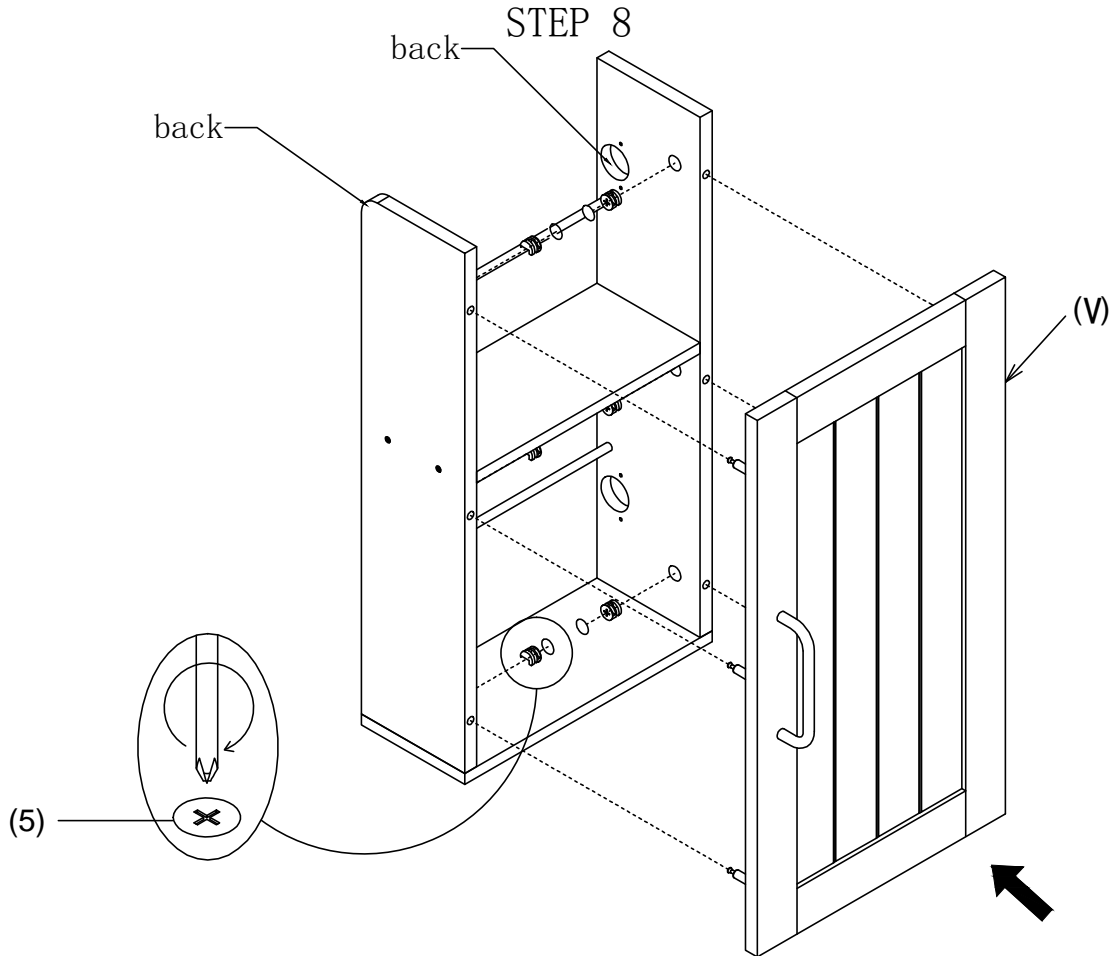
1		Bolt	4PCS	18		Allen Key 3mm	1PC
10		Circular Tube	2PCS				

STEP 7



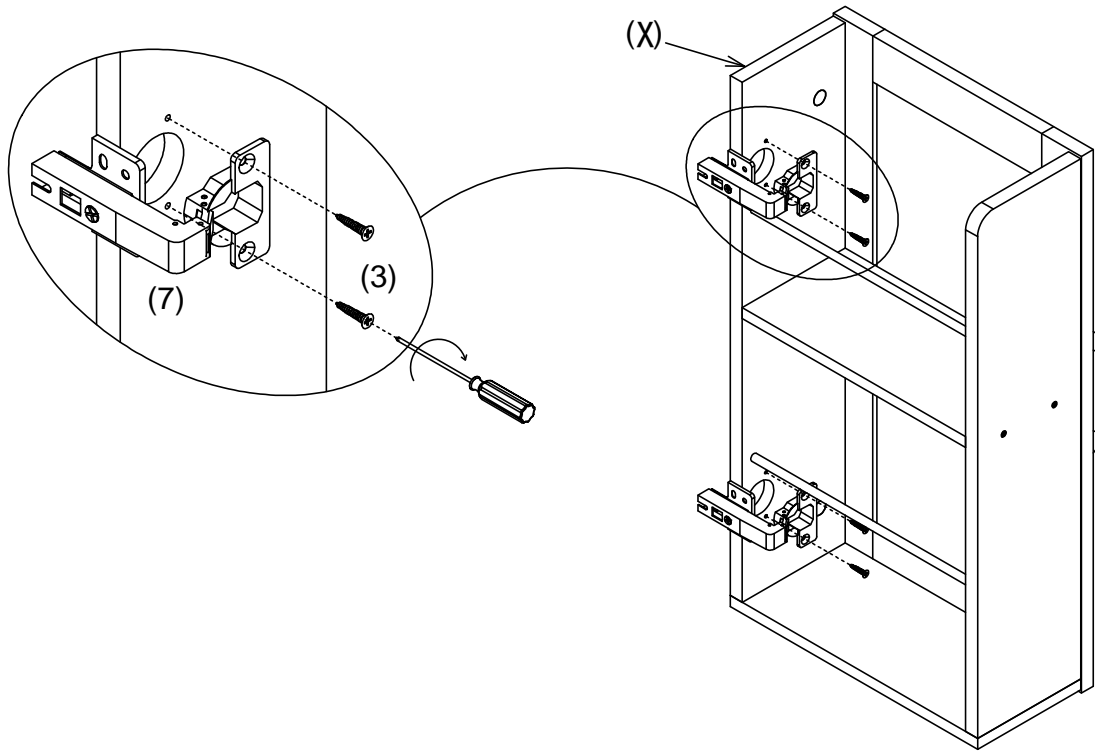
1		Bolt	4PCS	18		Allen Key 3mm	1PC
---	--	------	------	----	--	---------------	-----



STEP 8



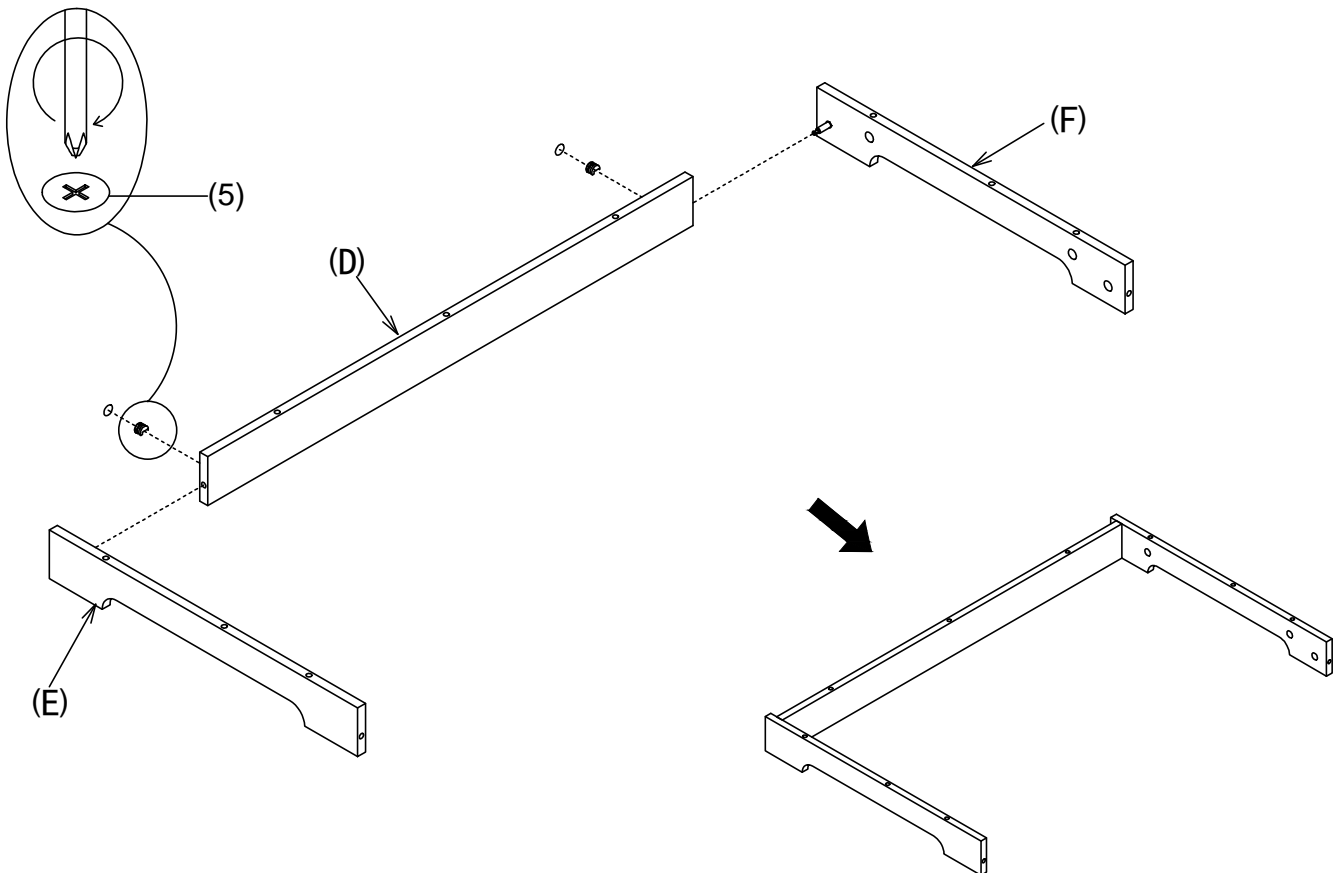
5		Big Cam Lock	6PCS	15		Beauty Paste	6PCS
---	--	--------------	------	----	--	--------------	------

STEP 9



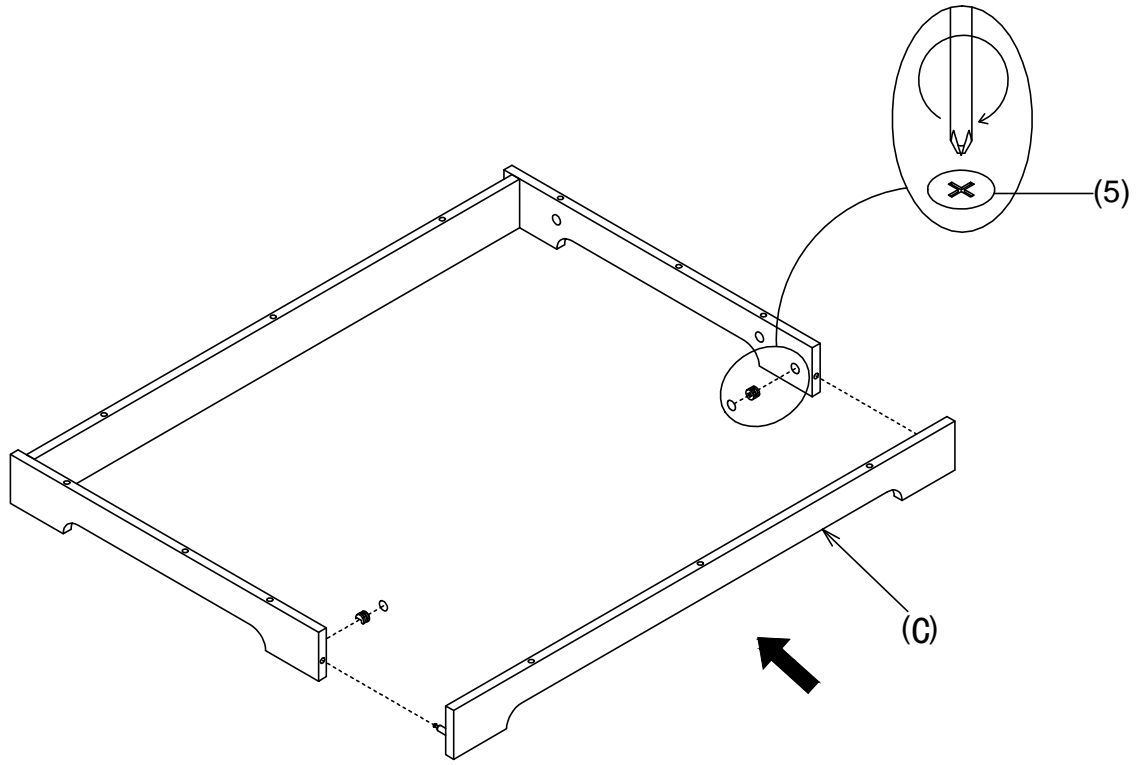
3		Wood Screw	4PCS	7		90°-Hinge	2PCS
---	---	------------	------	---	---	-----------	------

STEP 10



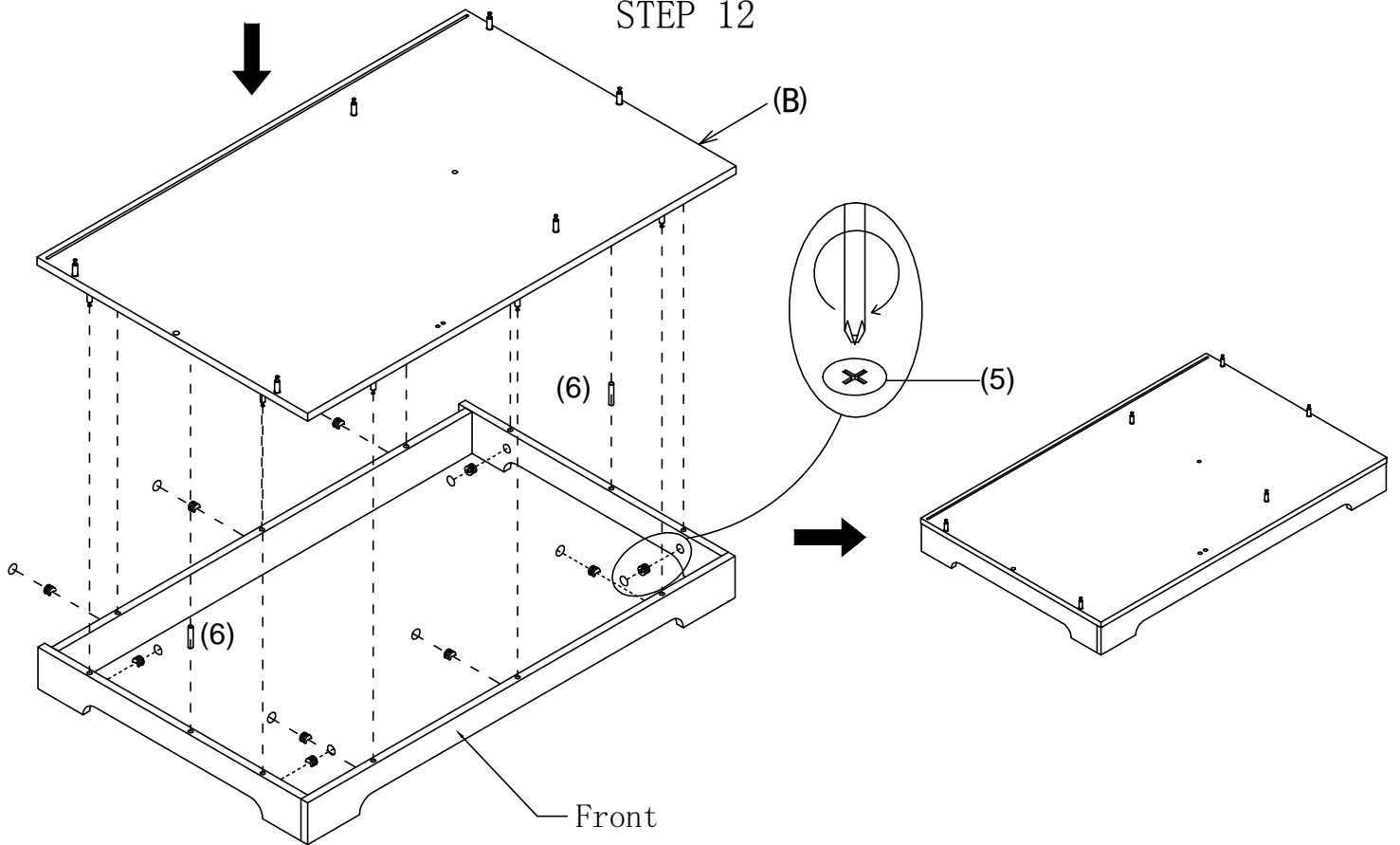
5		Big Cam Lock	2PCS	15		Beauty Paste	2PCS
---	---	--------------	------	----	---	--------------	------





STEP 11



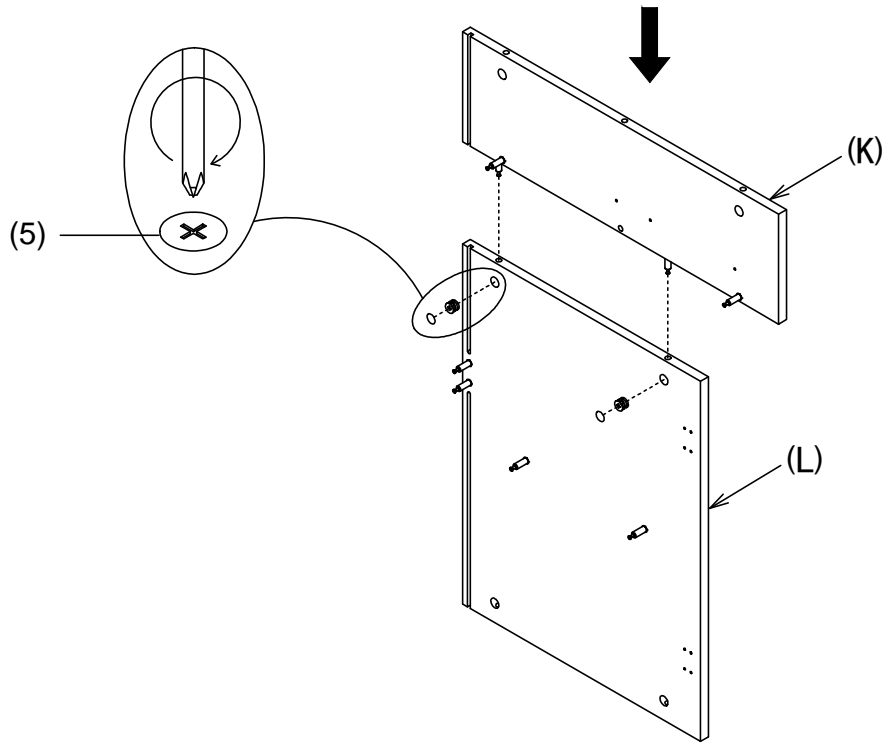
5		Big Cam Lock	2PCS	15		Beauty Paste	2PCS
---	---	--------------	------	----	---	--------------	------

STEP 12



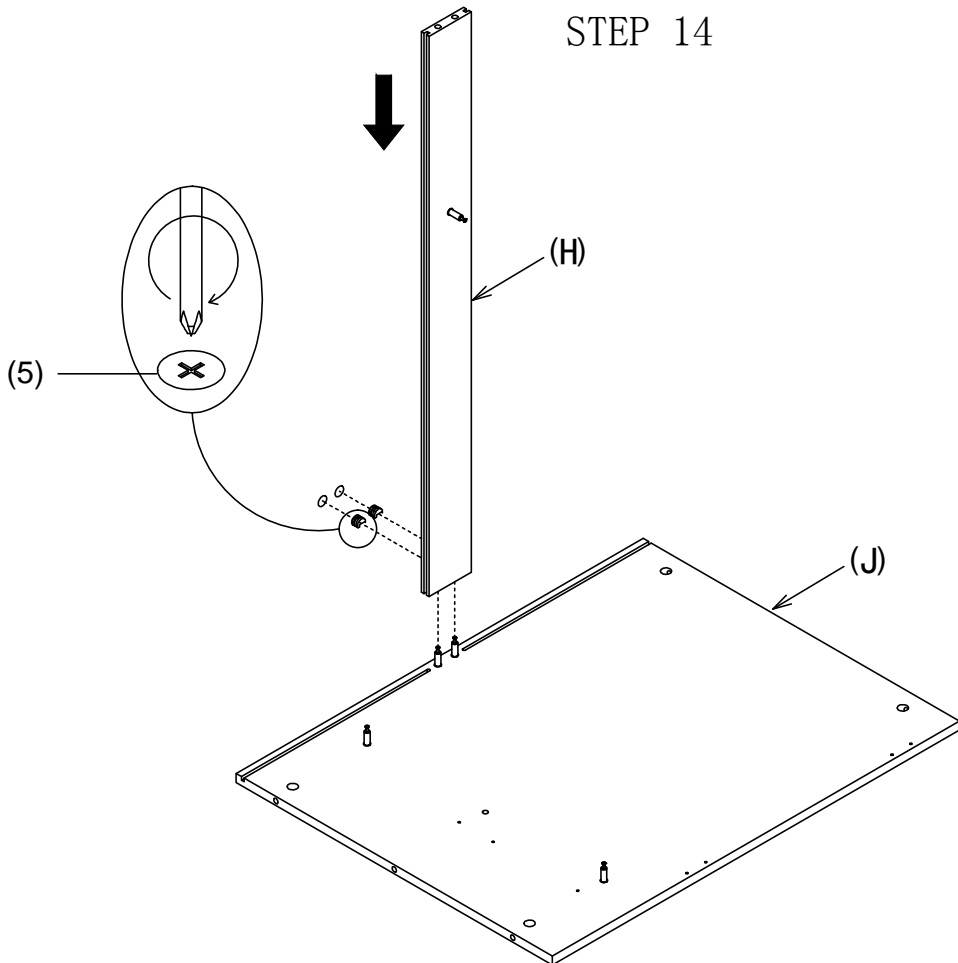
5		Big Cam Lock	10PCS	15		Beauty Paste	10PCS
6		Wood Dowel	2PCS	15		Beauty Paste	10PCS

STEP 13



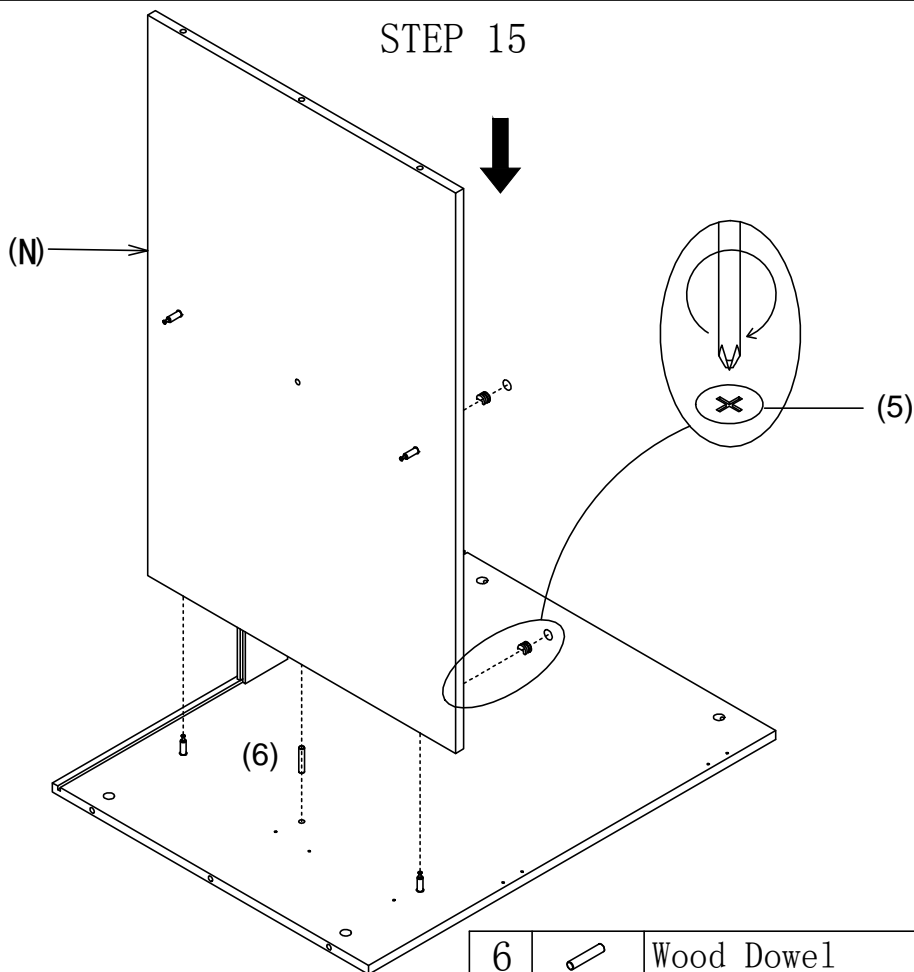
5		Big Cam Lock	2PCS	15		Beauty Paste	2PCS
---	---	--------------	------	----	---	--------------	------

STEP 14



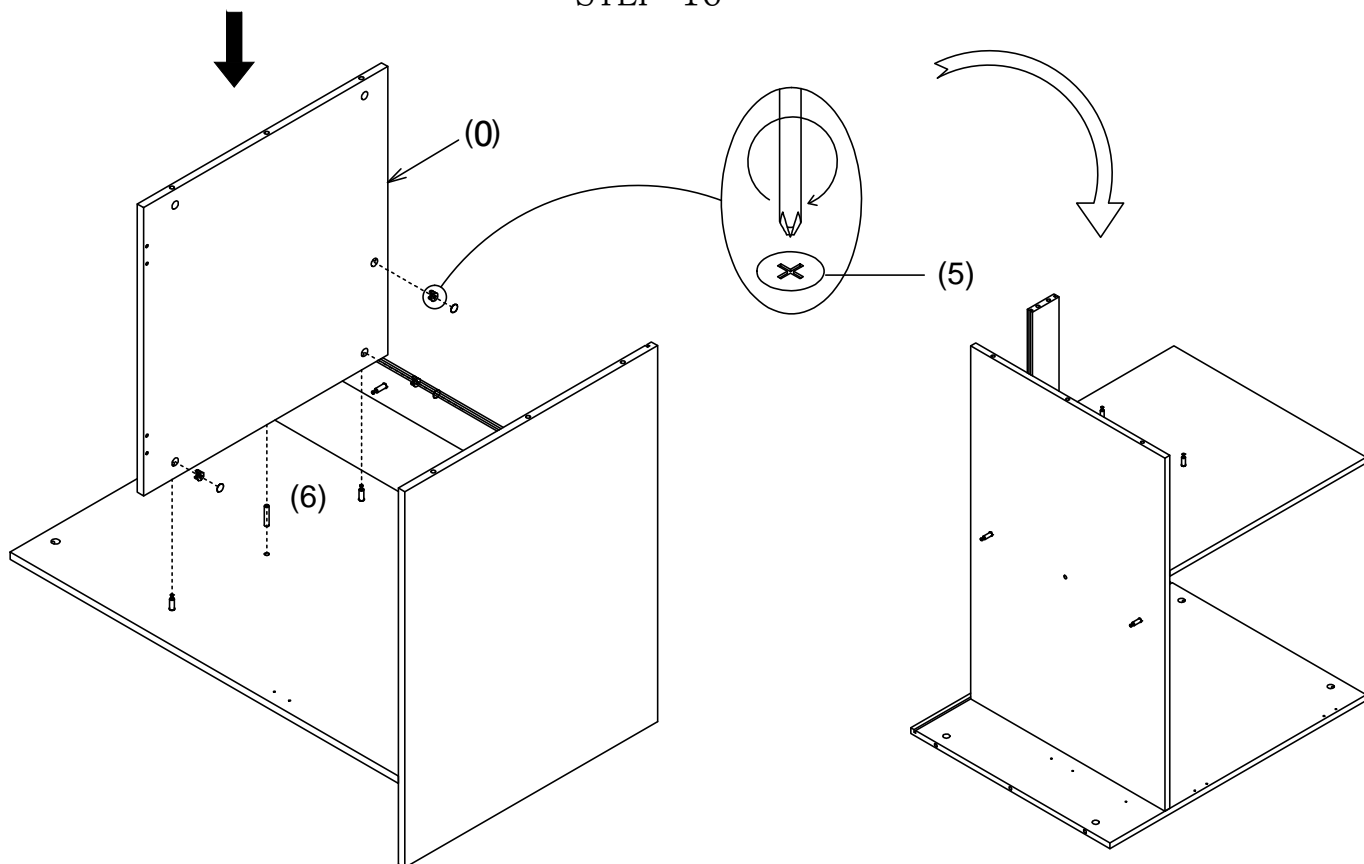
5		Big Cam Lock	2PCS	15		Beauty Paste	2PCS
---	---	--------------	------	----	---	--------------	------

STEP 15



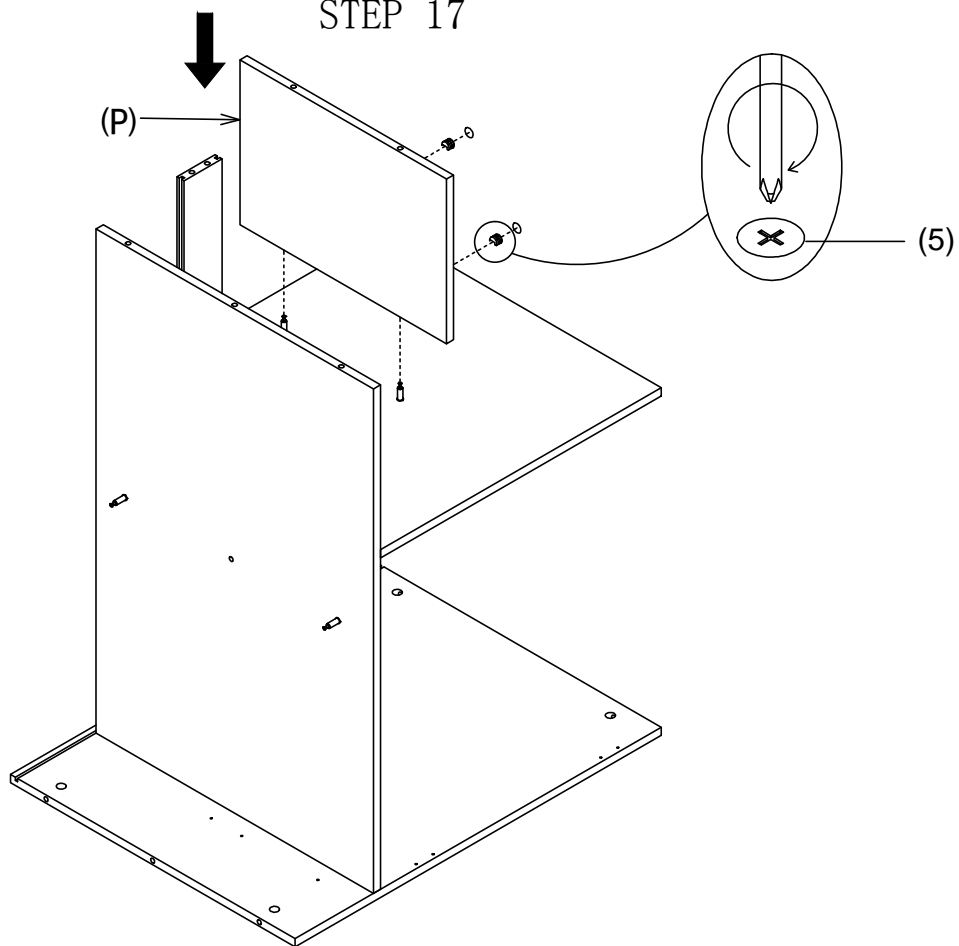
				6		Wood Dowel	1PC
5		Big Cam Lock	2PCS	15		Beauty Paste	2PCS

STEP 16



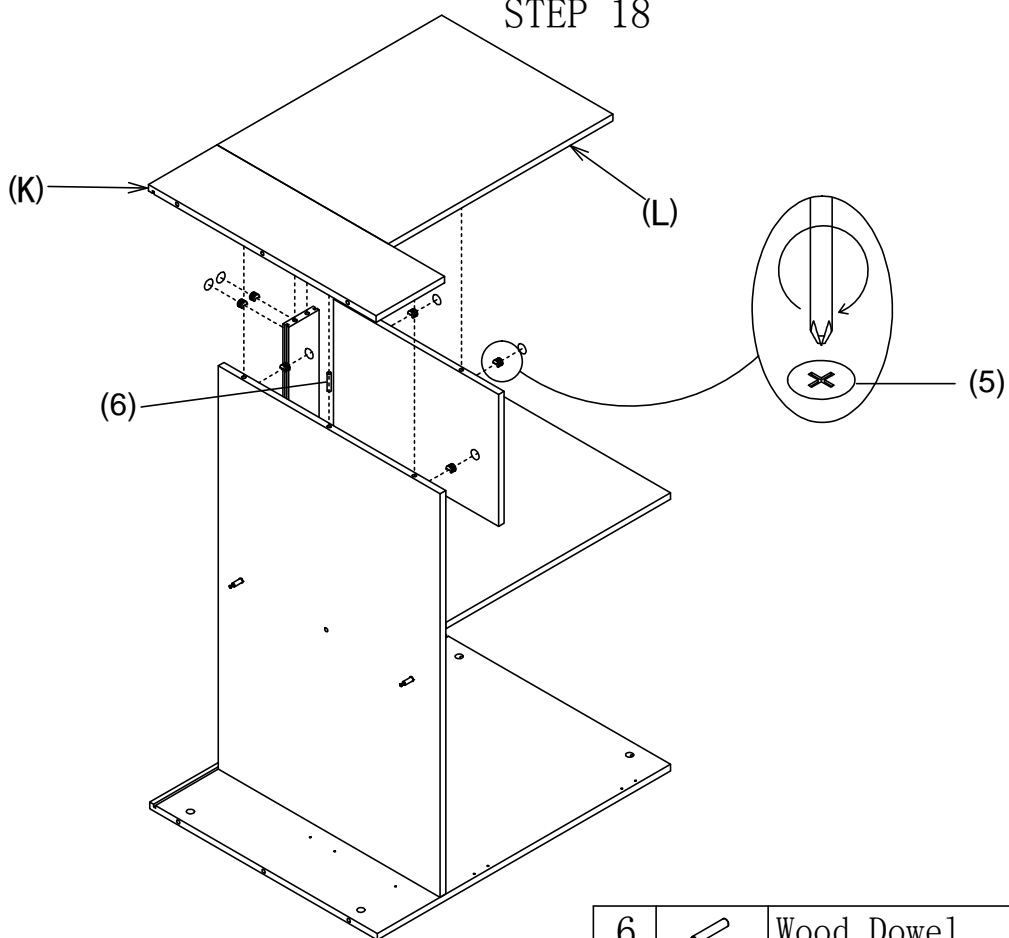
				6		Wood Dowel	1PC
5		Big Cam Lock	3PCS	15		Beauty Paste	3PCS





STEP 17



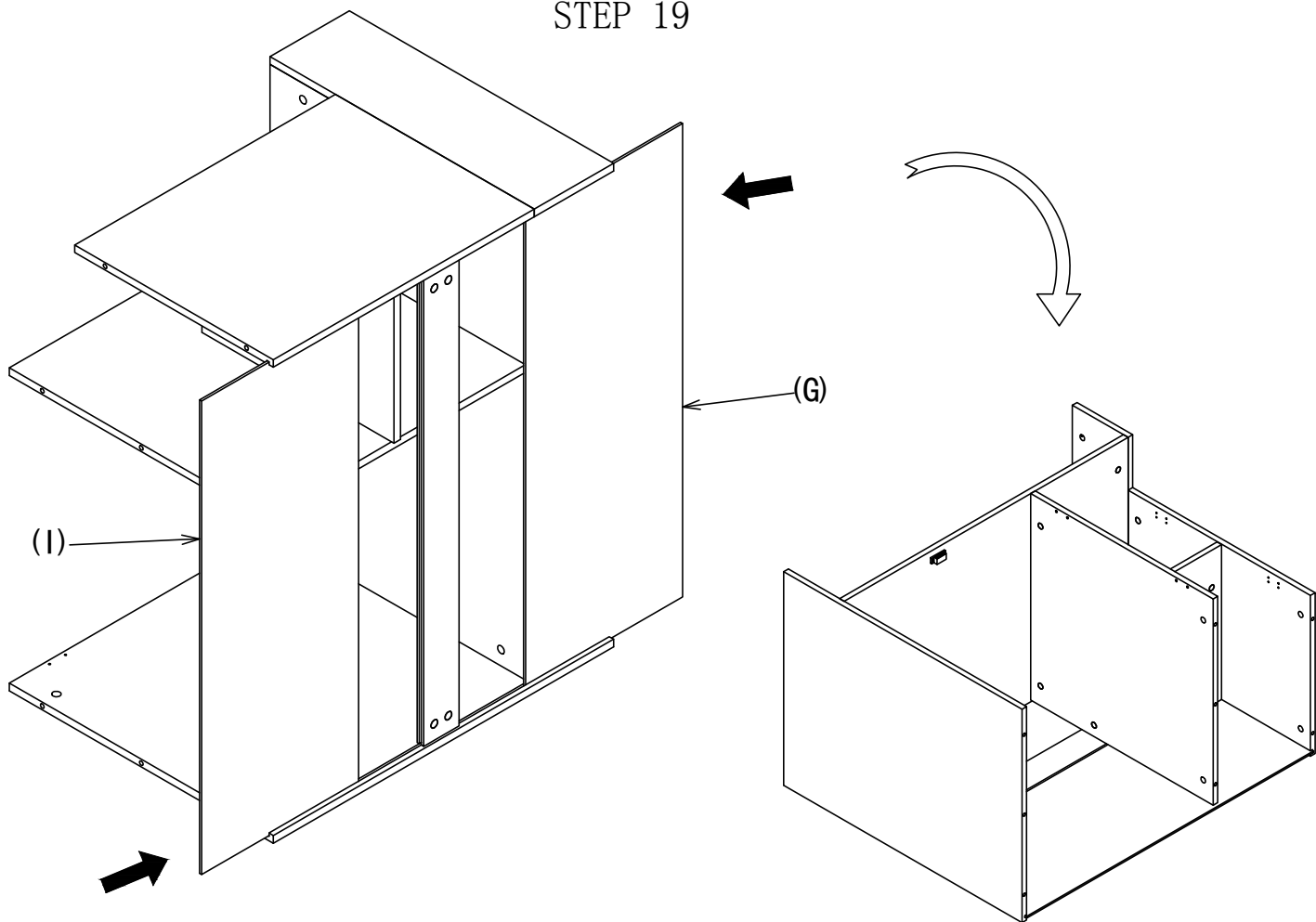
5		Big Cam Lock	2PCS	15		Beauty Paste	2PCS
---	---	--------------	------	----	---	--------------	------

STEP 18

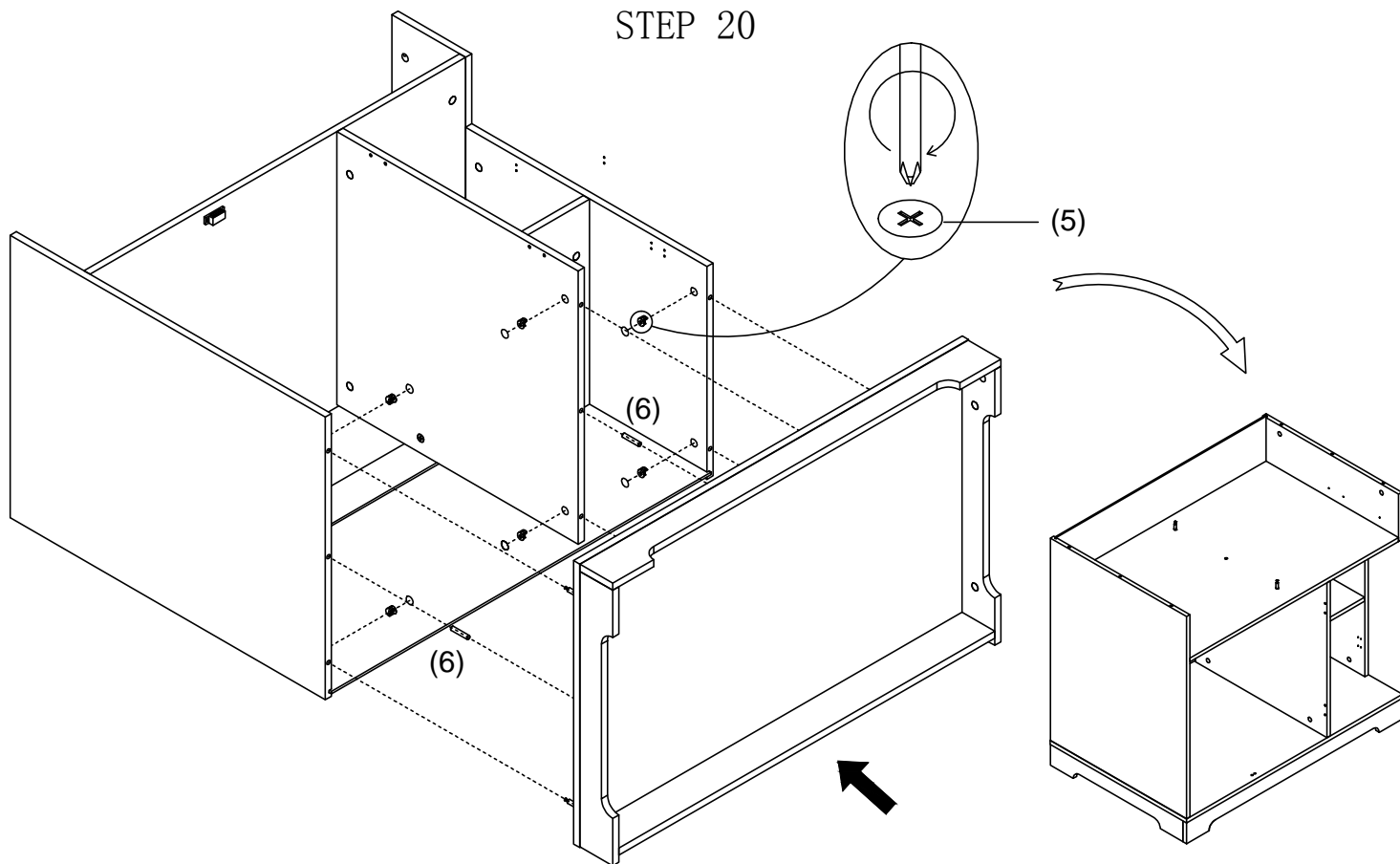





5		Big Cam Lock	6PCS	6		Wood Dowel	1PC
5		Beauty Paste	6PCS	15		Beauty Paste	6PCS

STEP 19

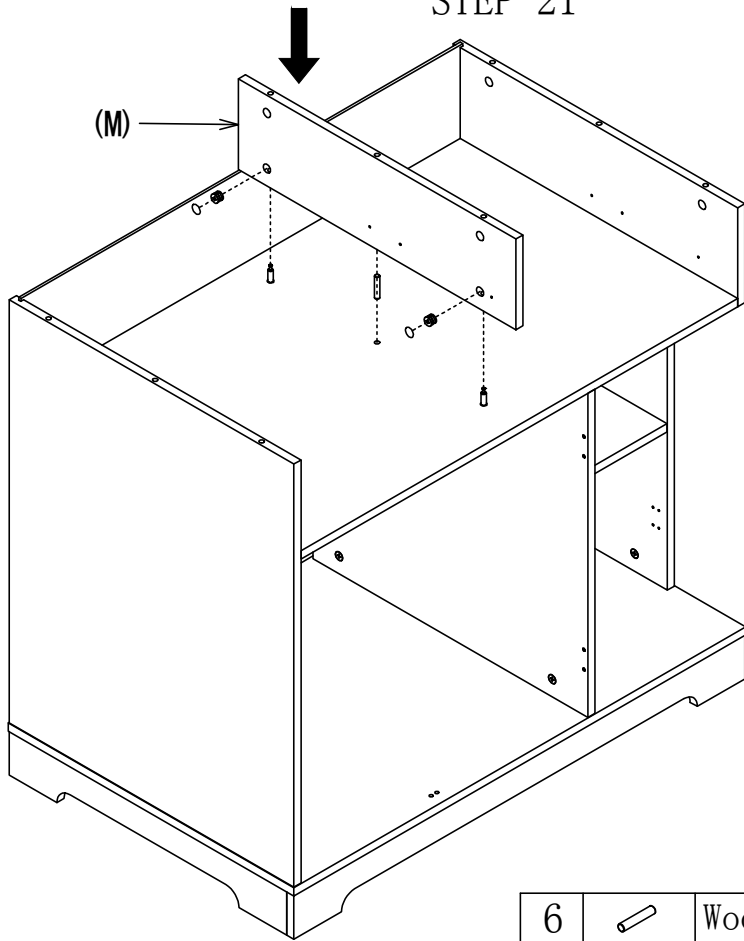


STEP 20



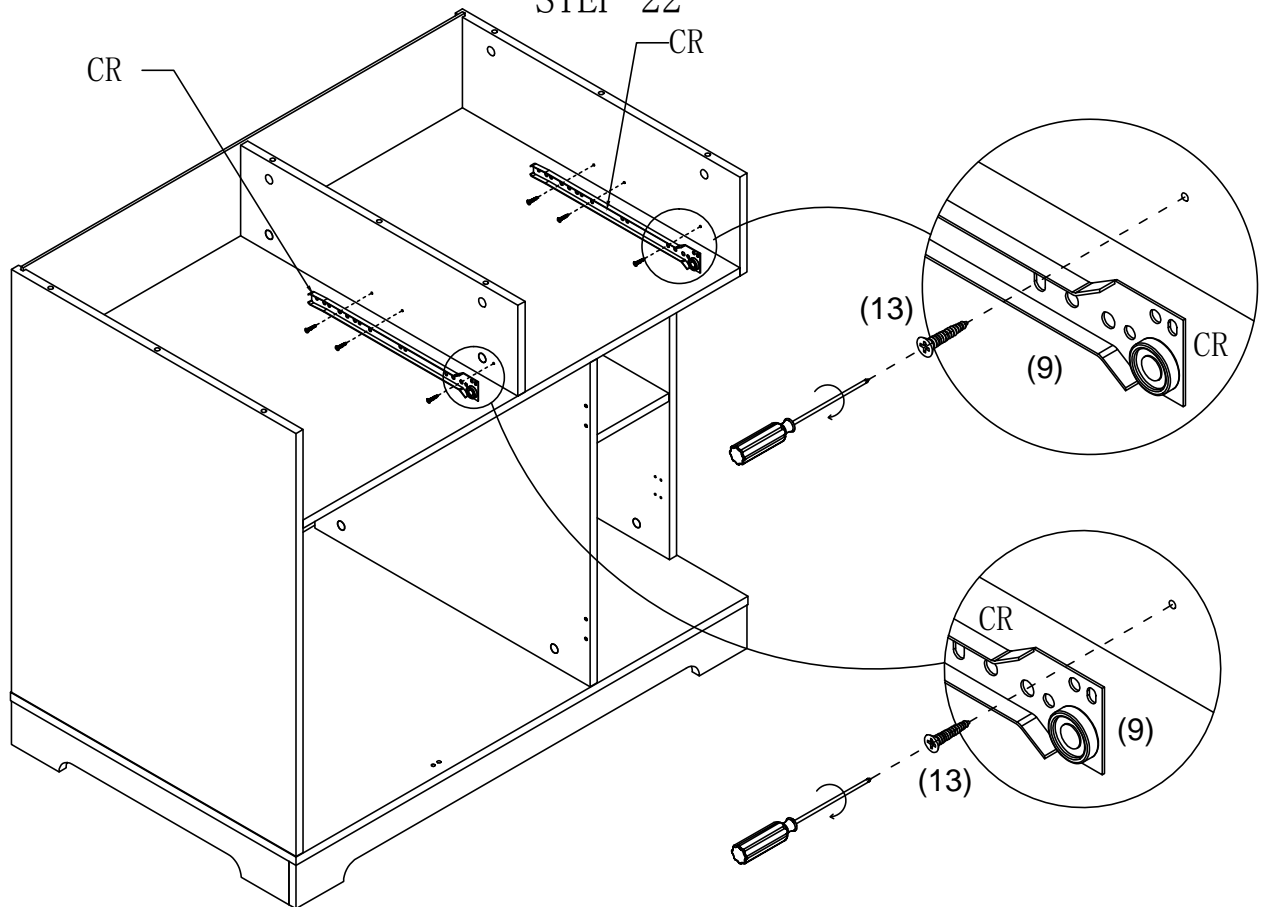
5		Big Cam Lock	6PCS	6		Wood Dowel	2PCS
				15		Beauty Paste	6PCS

STEP 21



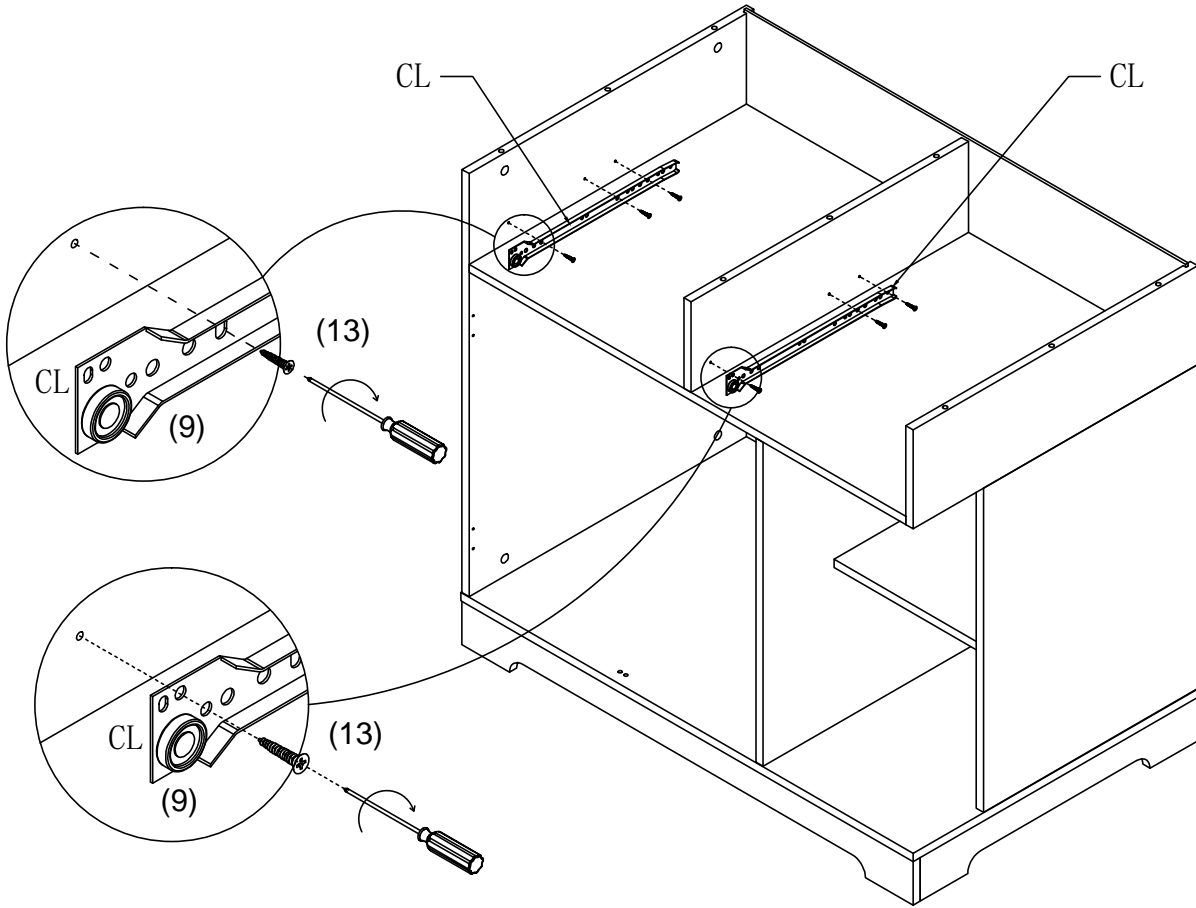
				6		Wood Dowel	1PC
5		Big Cam Lock	2PCS	15		Beauty Paste	2PCS

STEP 22



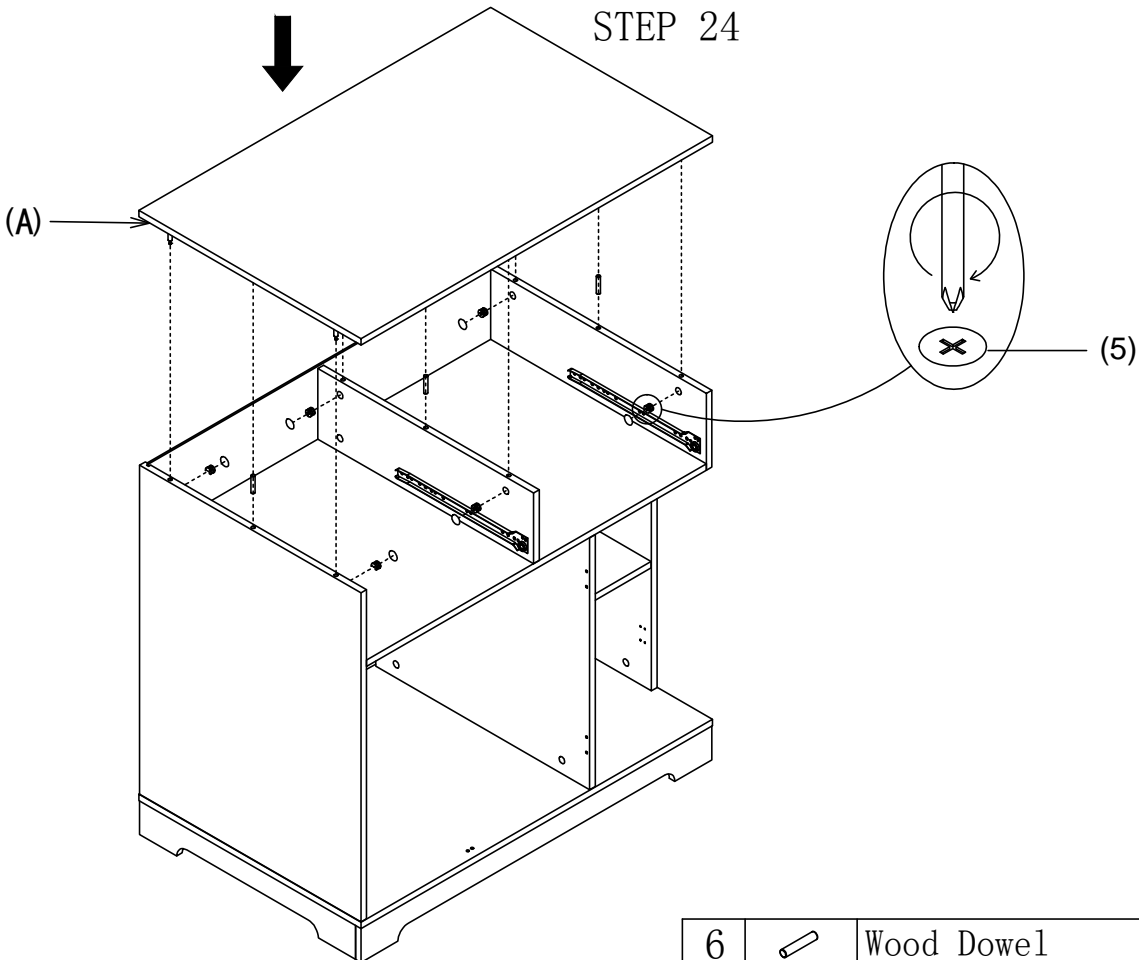
9		Sliding Rail	2PCS	13		Wood Screw	6PCS
---	--	--------------	------	----	--	------------	------


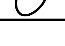
STEP 23



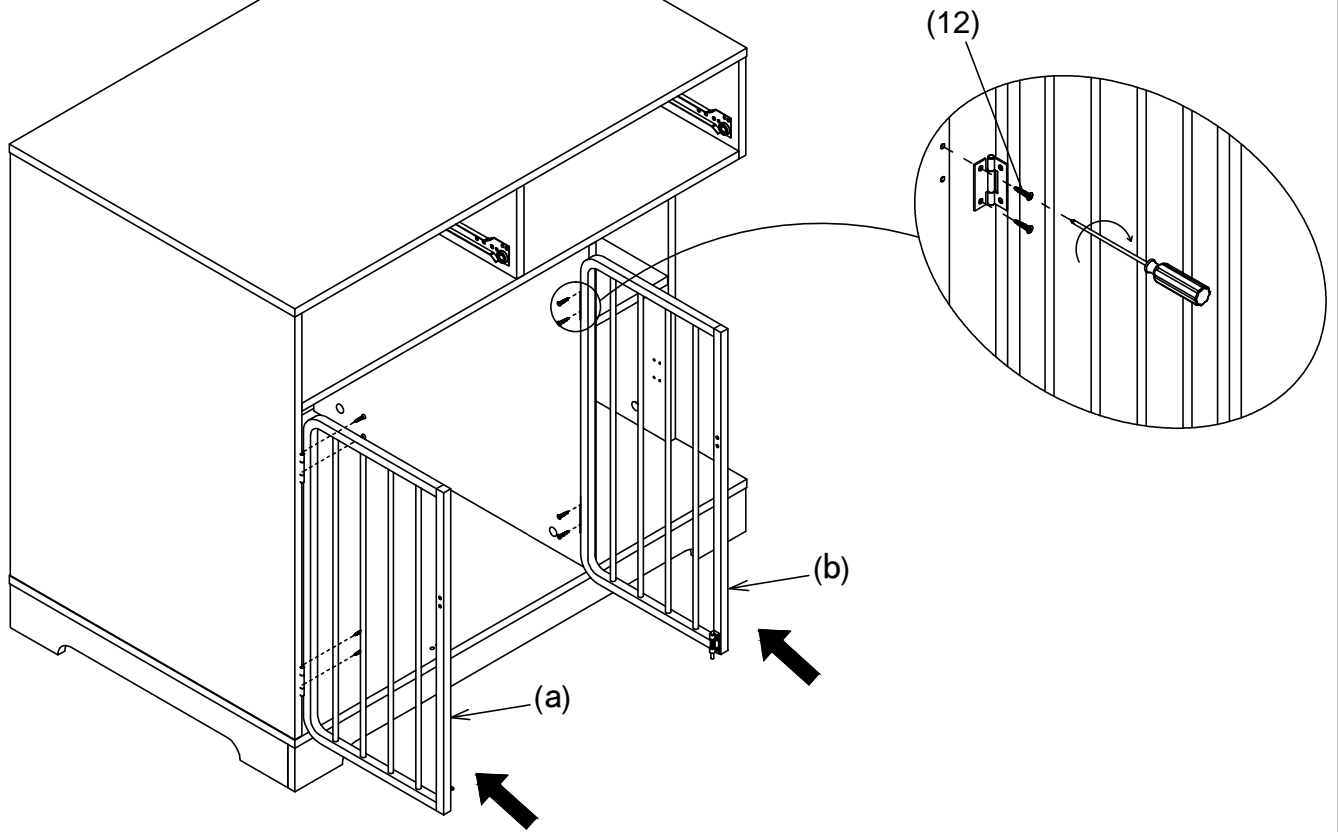
9		Sliding Rail	2PCS	13		Wood Screw	6PCS
---	---	--------------	------	----	---	------------	------


STEP 24



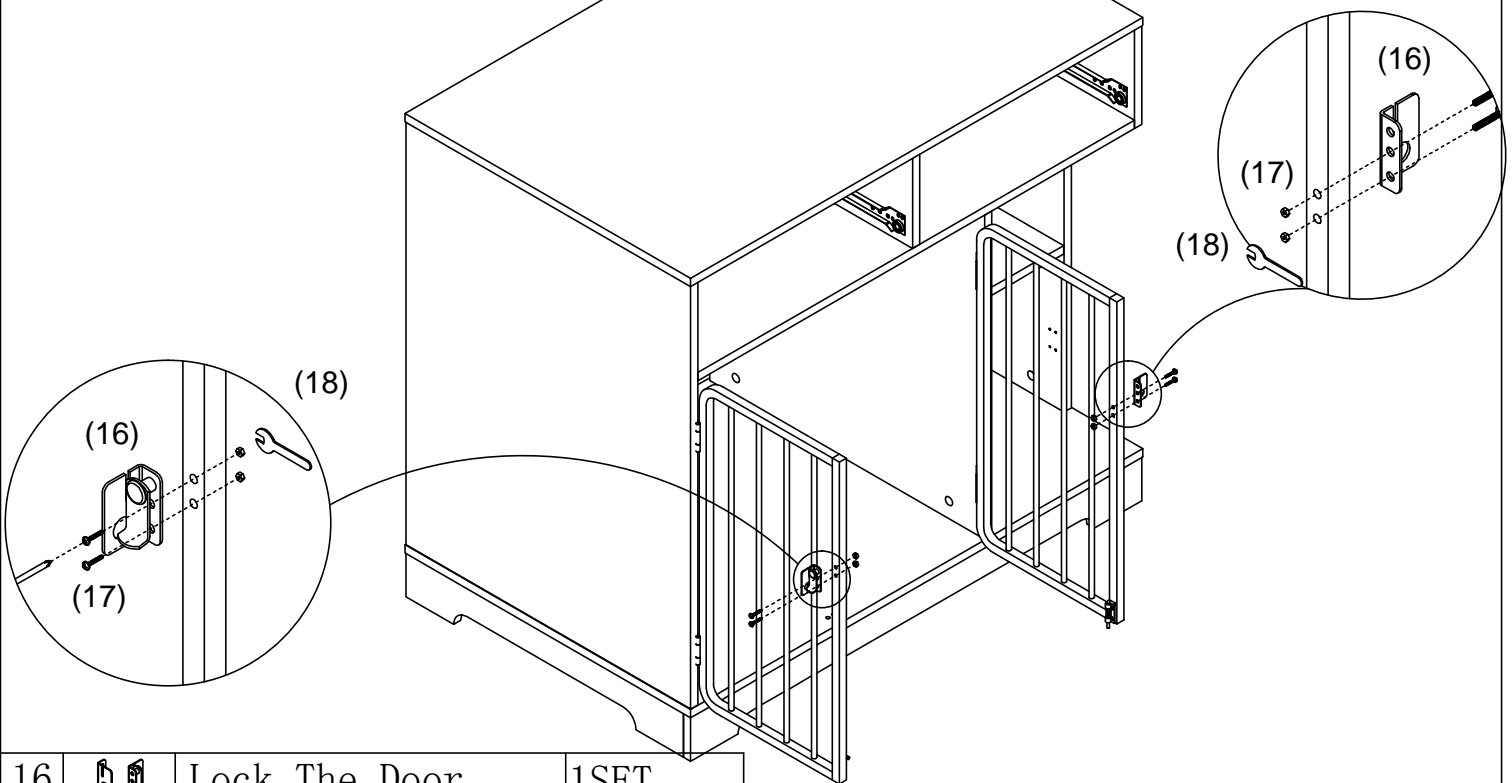
5		Big Cam Lock	6PCS	6		Wood Dowel	3PCS
				15		Beauty Paste	6PCS




STEP 25



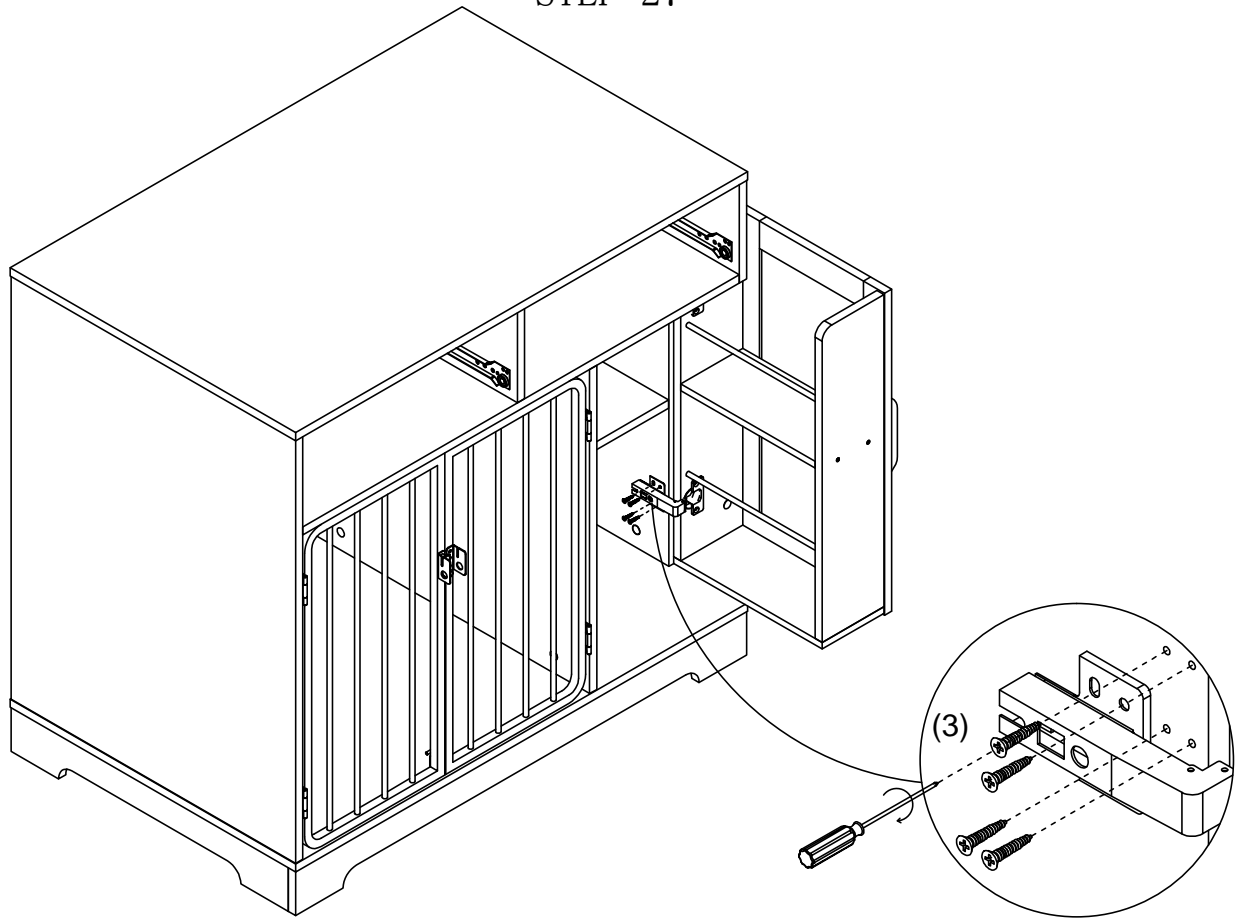
12		Black Wood Screw	8PCS
----	---	------------------	------

STEP 26



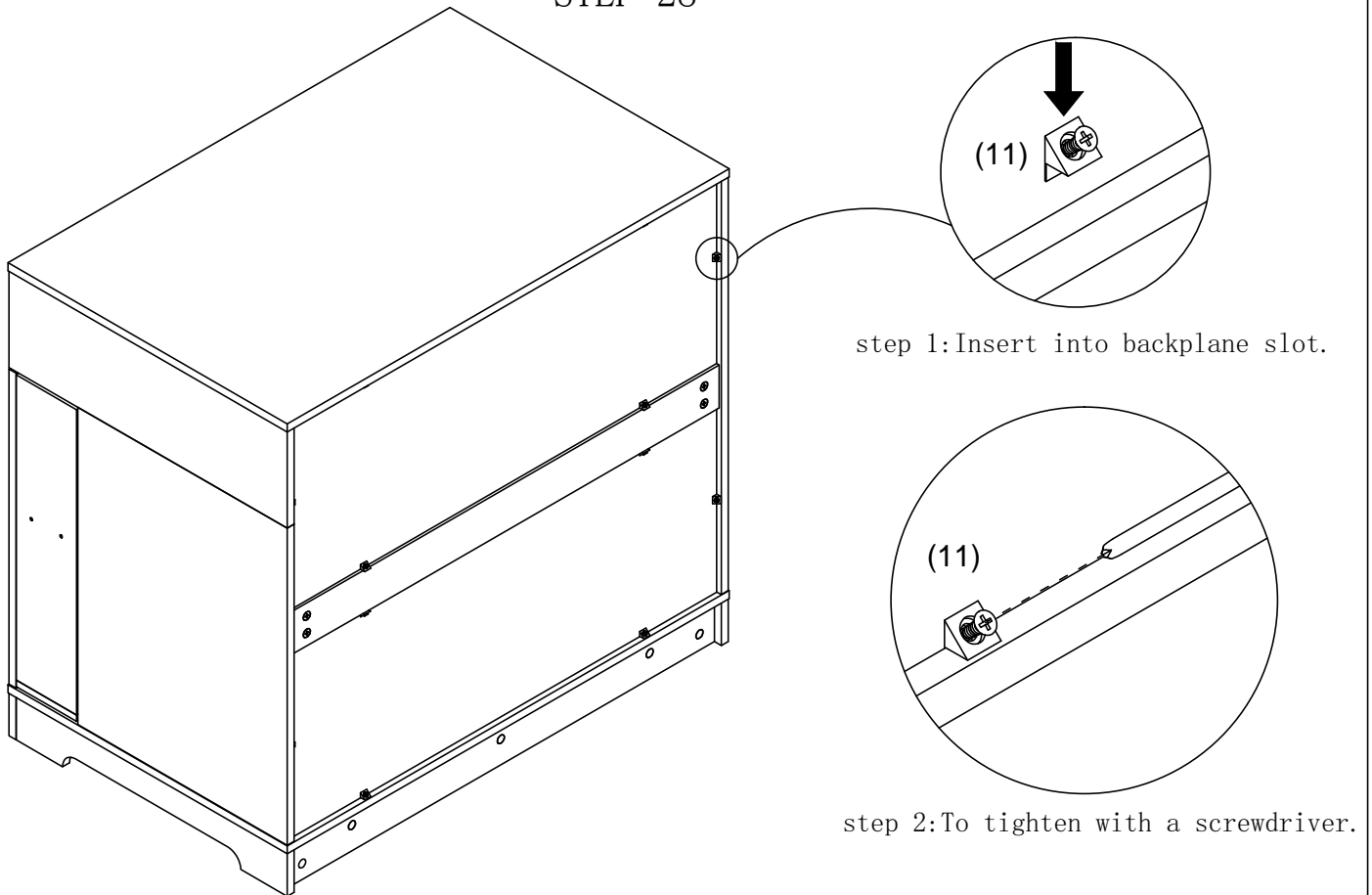
16		Lock The Door	1SET
17		Black Bolt	4SETS
18		Open Spanner	1PC

STEP 27



3		Wood Screw	8PCS
---	---	------------	------

STEP 28

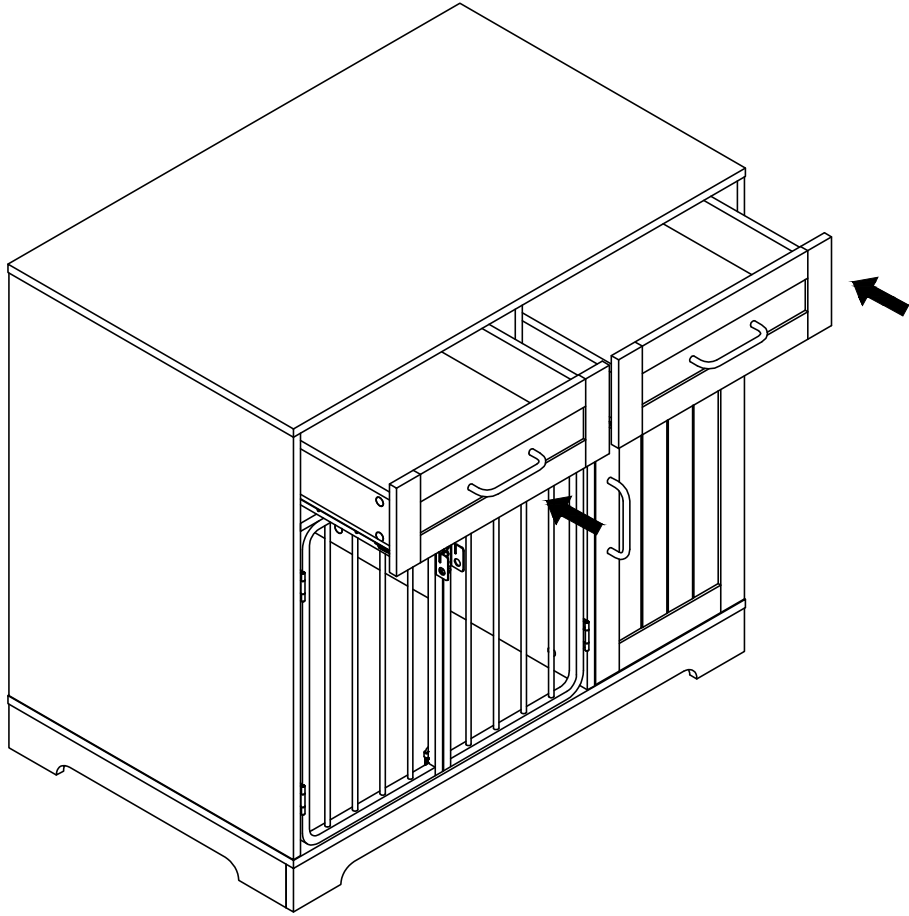


step 1: Insert into backplane slot.

step 2: To tighten with a screwdriver.

11		Backplane Buckle	12PCS
----	---	------------------	-------

STEP 29



COMPLETE

