

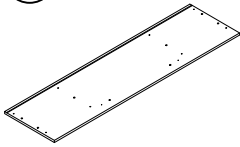
Installation & Assembly



- Please keep instructions for future reference.
- Check the quantity and irregularity of parts and hardware before you start.

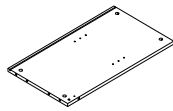
PARTS

①



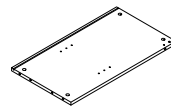
Top Board
1 pc.

②



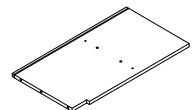
Left Side Panel
1 pc.

③



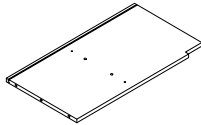
Right Side Panel
1 pc.

④



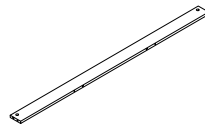
Left Side Panel
1 pc.

⑤



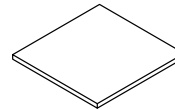
Right Side Panel
1 pc.

⑥



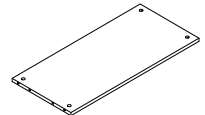
Cross Bar
1 pc.

⑦



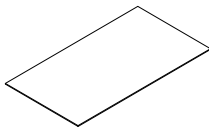
Adjustable Shelf
2 pcs.

⑧



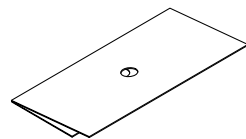
Fixed Shelf
1 pc.

⑨



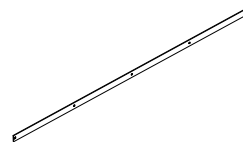
Left Right Back Board
2 pcs.

⑩



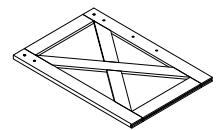
Middle Back Board
1 pc.

⑪



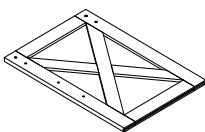
Steel track
1 pc.

⑫



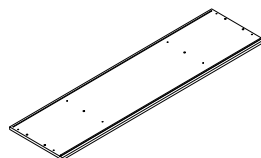
Left Door
1 pc.

⑬



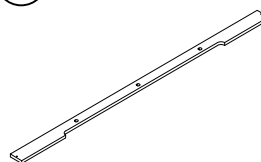
Right Door
1 pc.

⑭



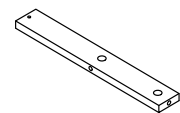
Bottom Board
1 pc.

⑮



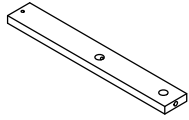
Font Bottom Trim
1 pc.

⑯



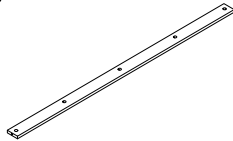
Left Bottom Trim
1 pc.

17



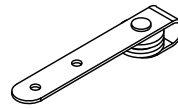
Right Bottom Trim
1 pc.

18



Back Bottom Trim
1 pc.

19

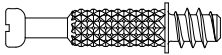


Sliding track wheel
4 pcs*

HARDWARE

A

Ø6*35



Cam Bolt
34 pcs.

B

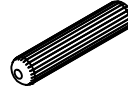
Ø15*9.5



Cam Lock
34 pcs.

C

Ø8*30



Wood Dowel
28 pcs.

D

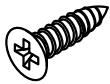
Ø4*50



Screw
2 pcs.

E

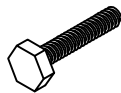
Ø3.5*16



Screw
8 pcs.

F

M6*25



Hex Bolts
8 pcs.

G

M6*10



Heavy Hex
8 pcs.

H



Spanner
2 pcs.

I

Ø4*35



Screw
3 pcs.

J

M6*37



Adjusting Foot
2 pcs.

K

Ø10*19.5



Column plastic pad long
3 pcs.

L

Ø16*10



Column plastic pad short
2 pcs.

M

Ø5*16



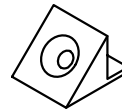
Shelf Holder
8 pcs.

N



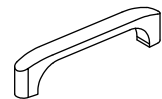
Screwdriver
1 pc.

O



Back panel buckle
8 pcs.

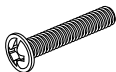
P



Handle
2 pcs.

Q

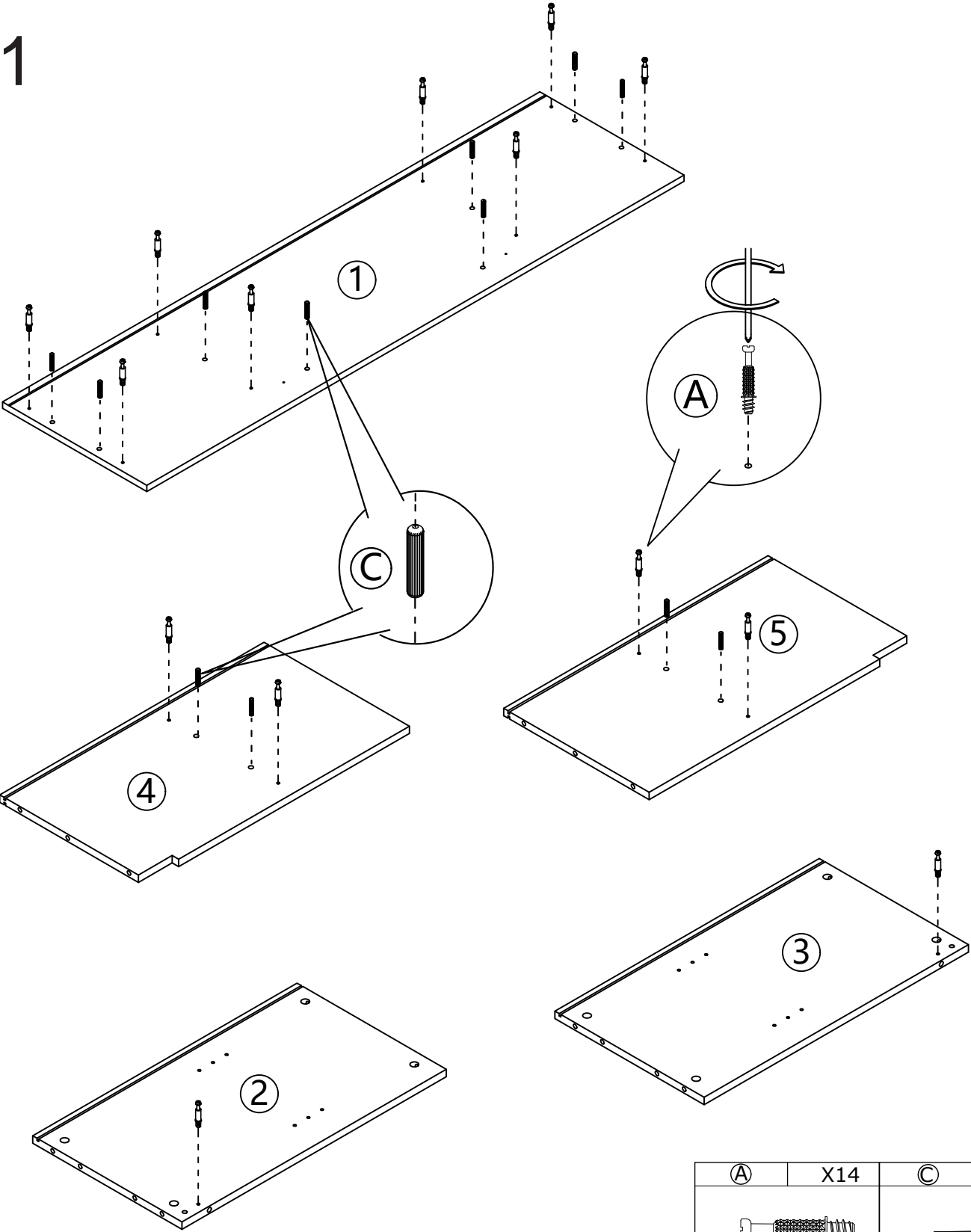
M4*18



Machine Screw
4 pcs.

ASSEMBLY INSTRUCTIONS

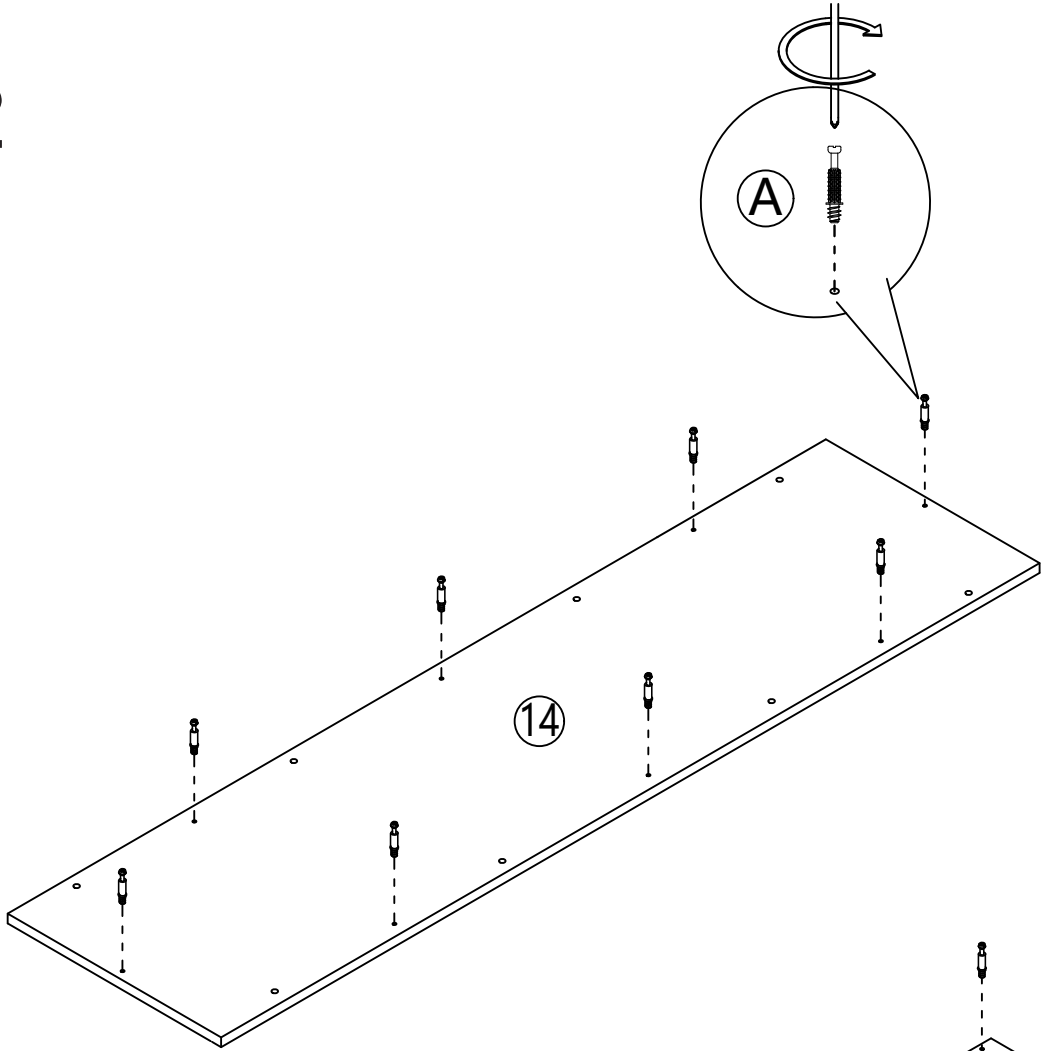
1



(A)	X14	(C)	X12

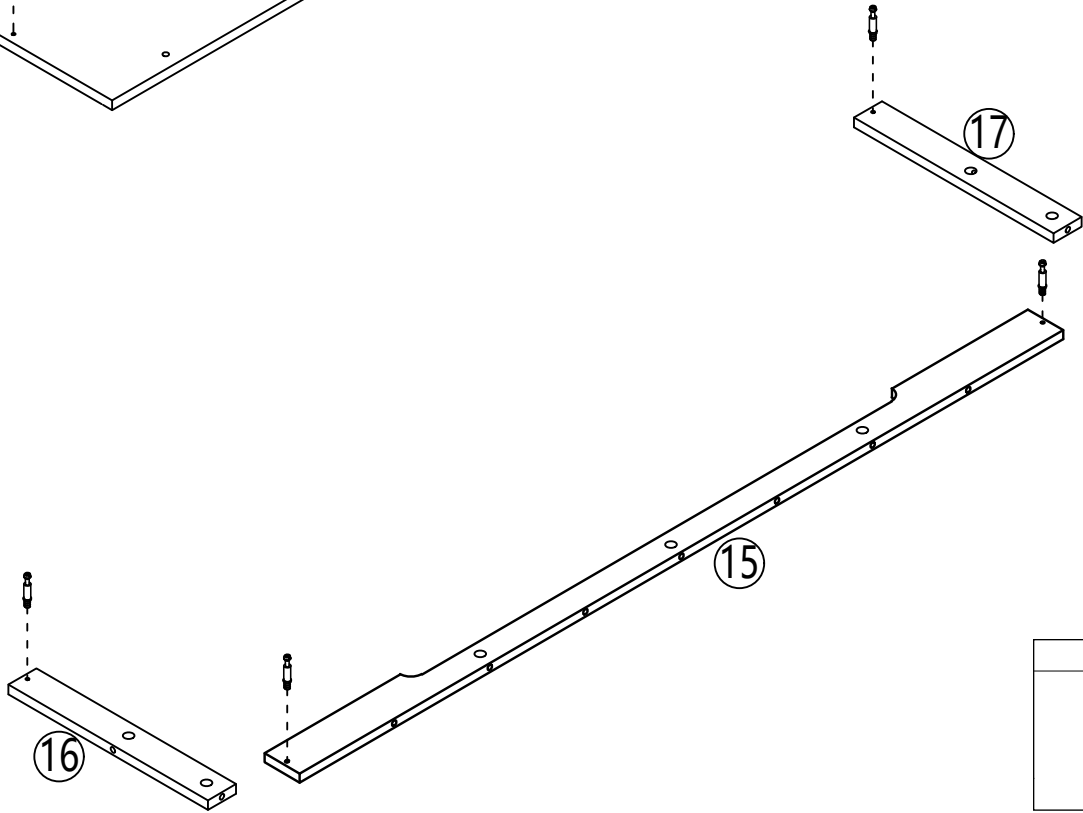
ASSEMBLY INSTRUCTIONS

2



(A)	X8

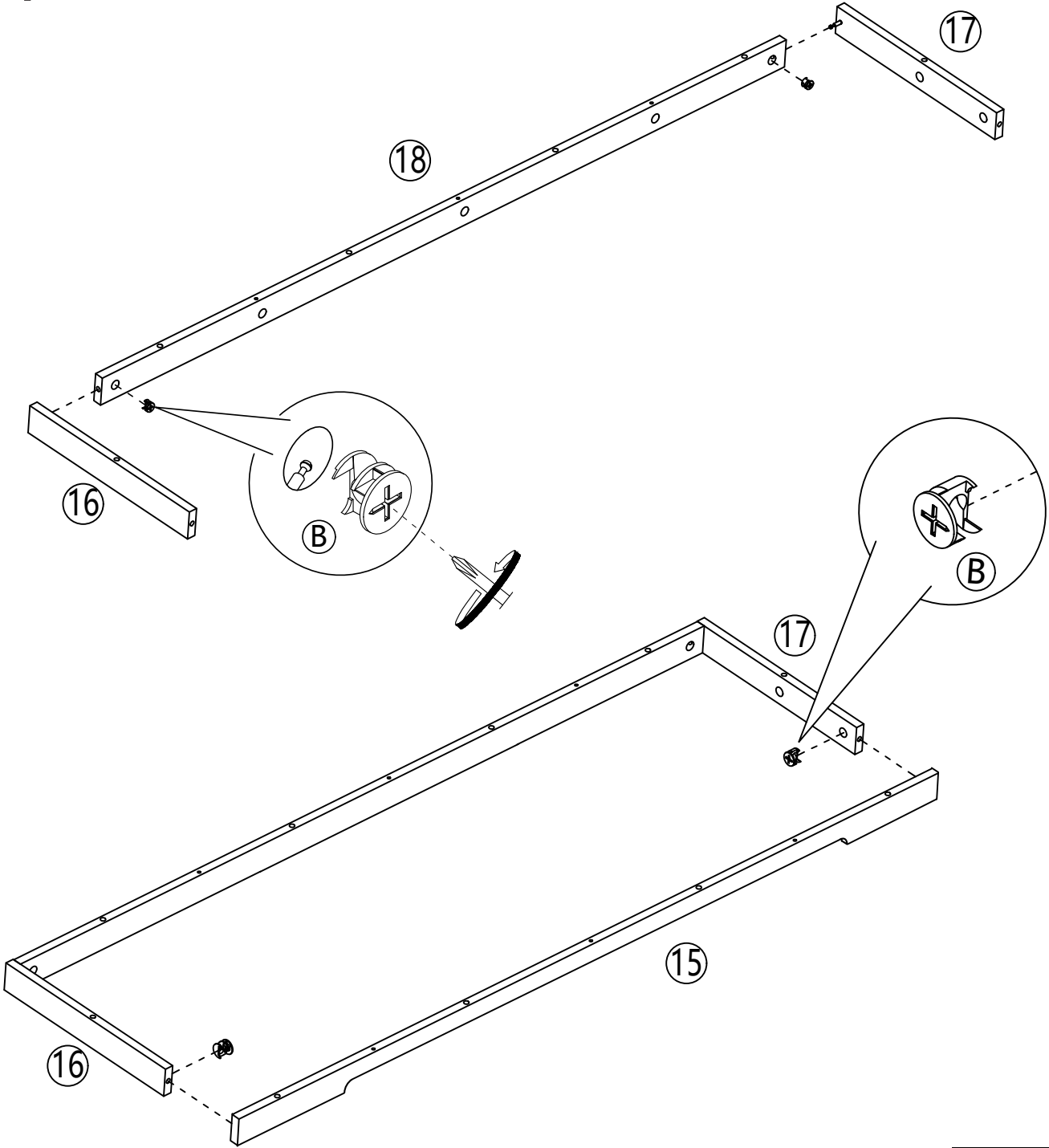
3




(A)	X4

ASSEMBLY INSTRUCTIONS

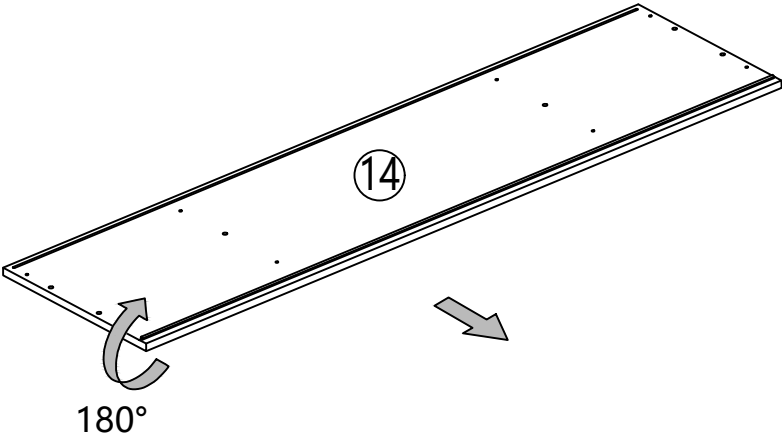
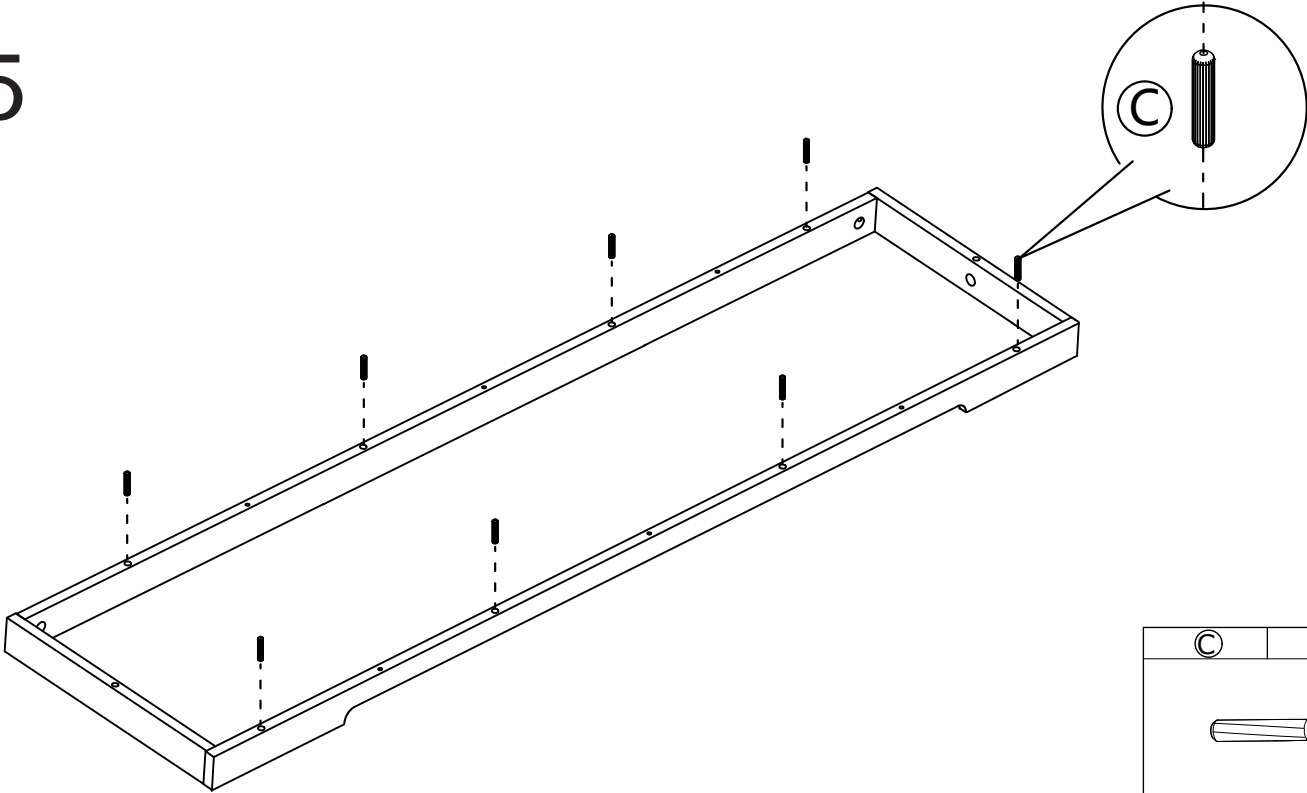
4



(B)	X4
	

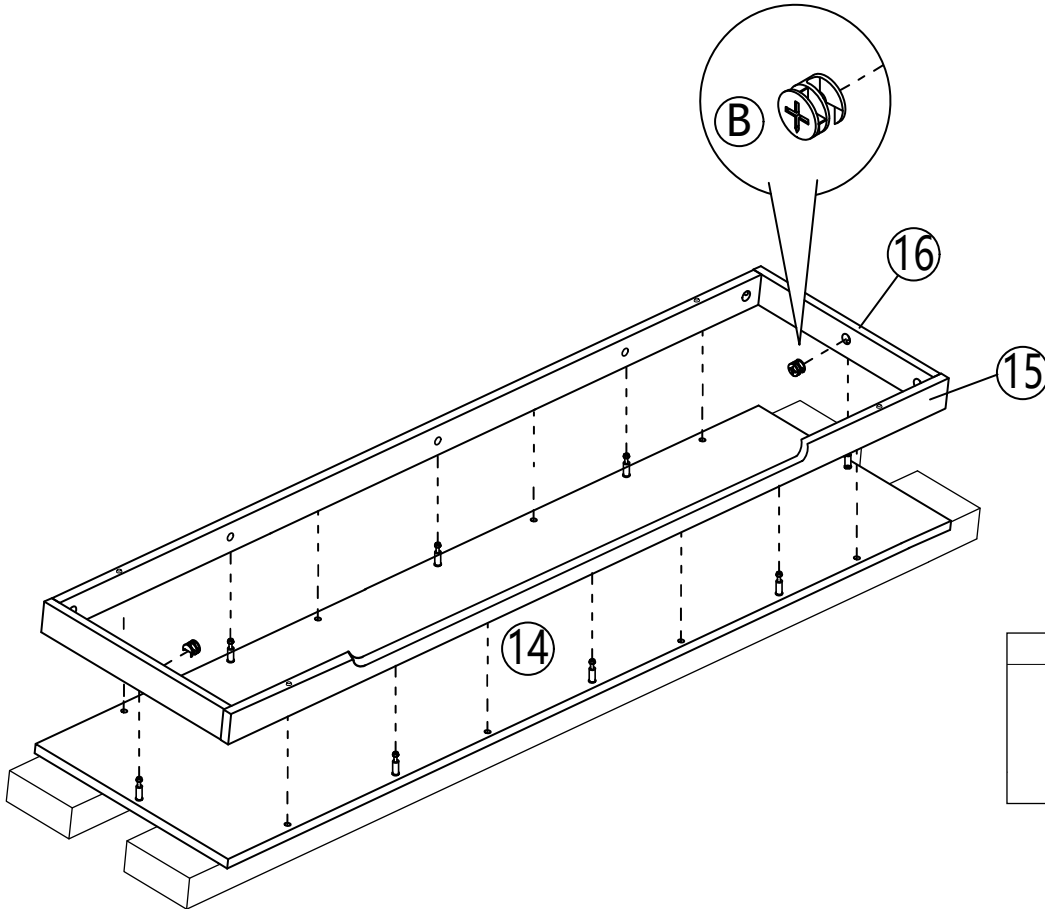
ASSEMBLY INSTRUCTIONS


5



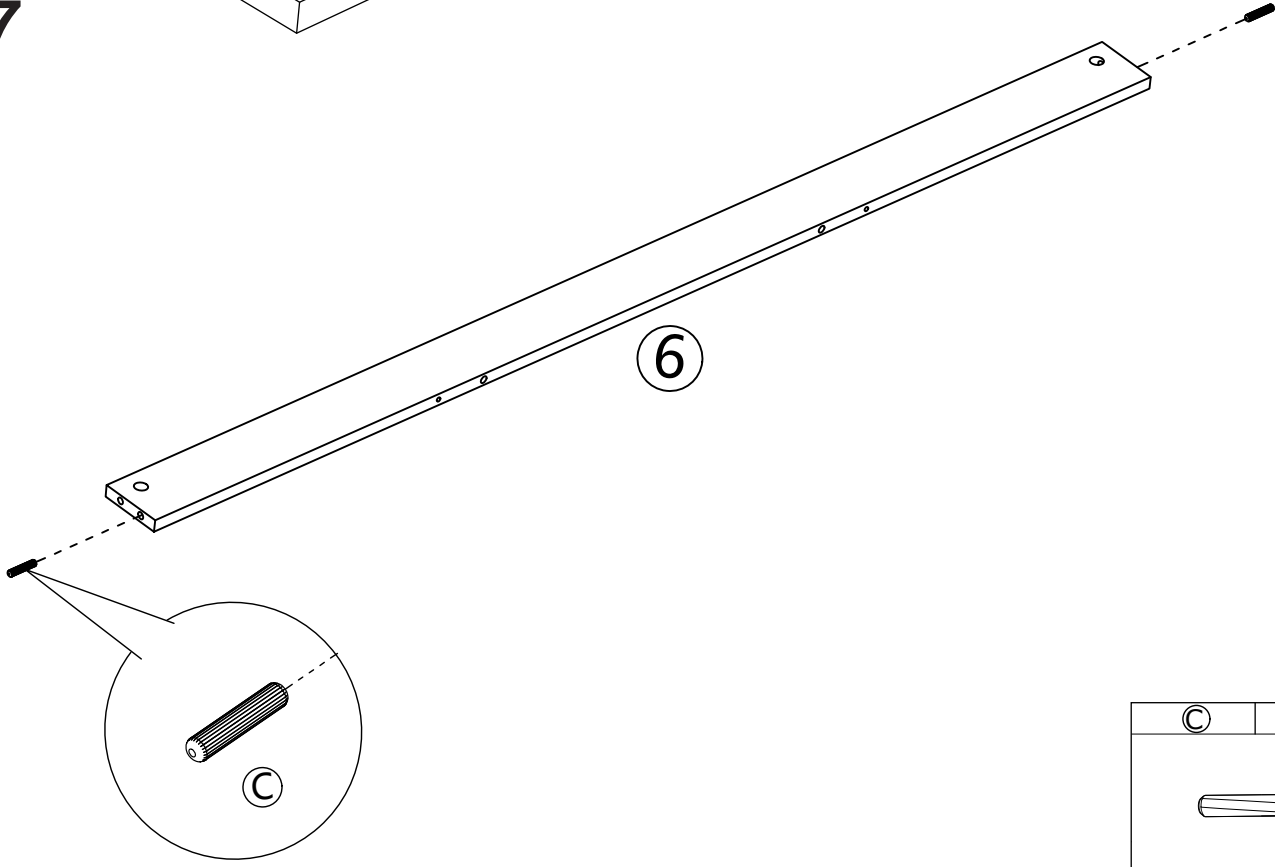
ASSEMBLY INSTRUCTIONS


6



(B)	X8
	

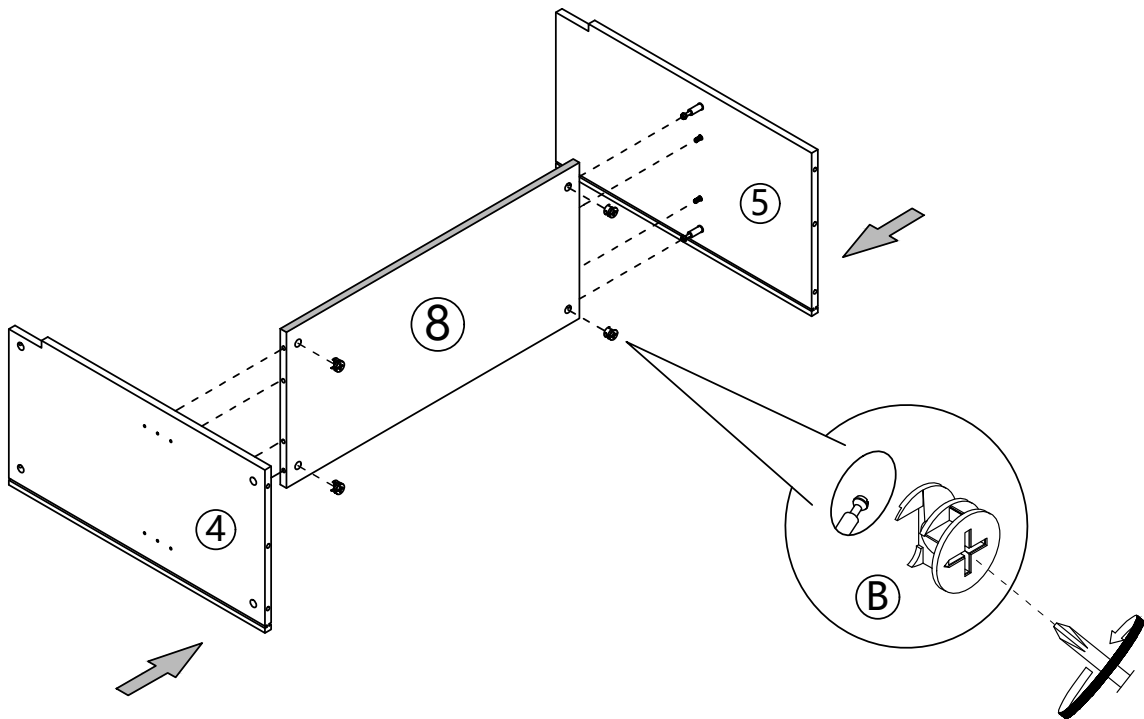
7




(C)	X2
	

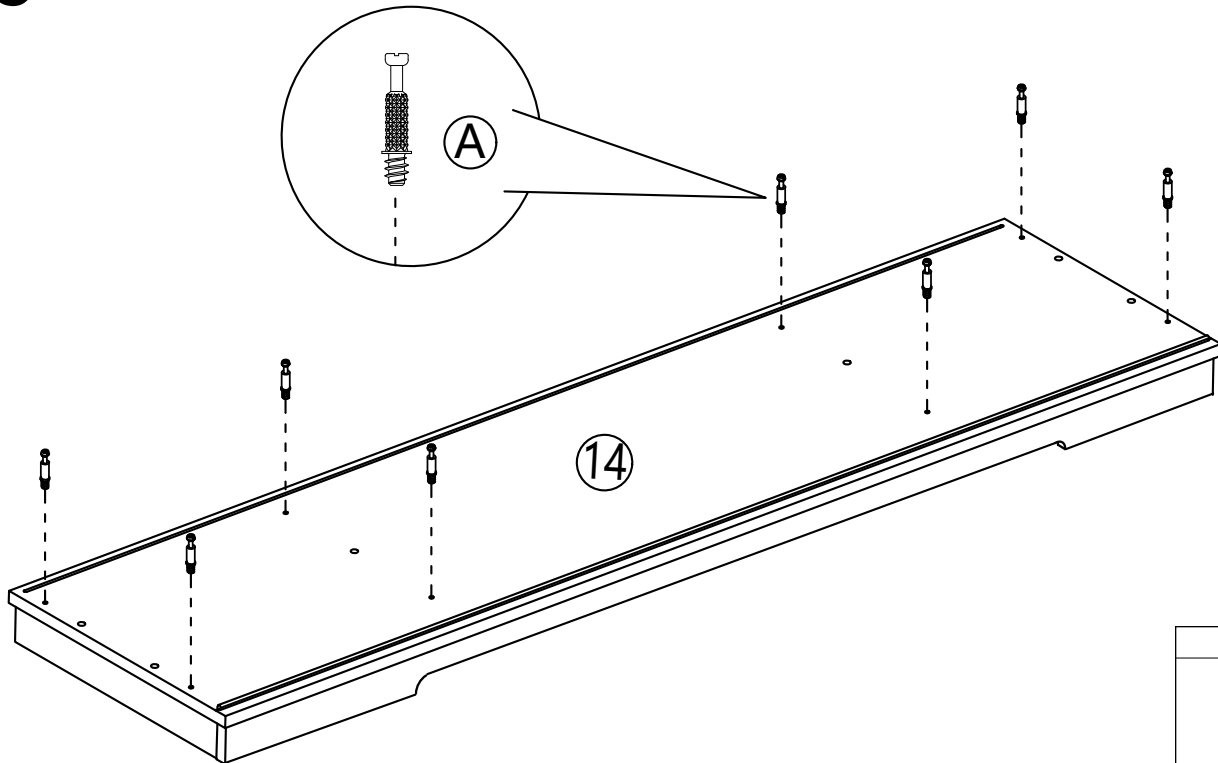
ASSEMBLY INSTRUCTIONS


8



(B)	X4
	

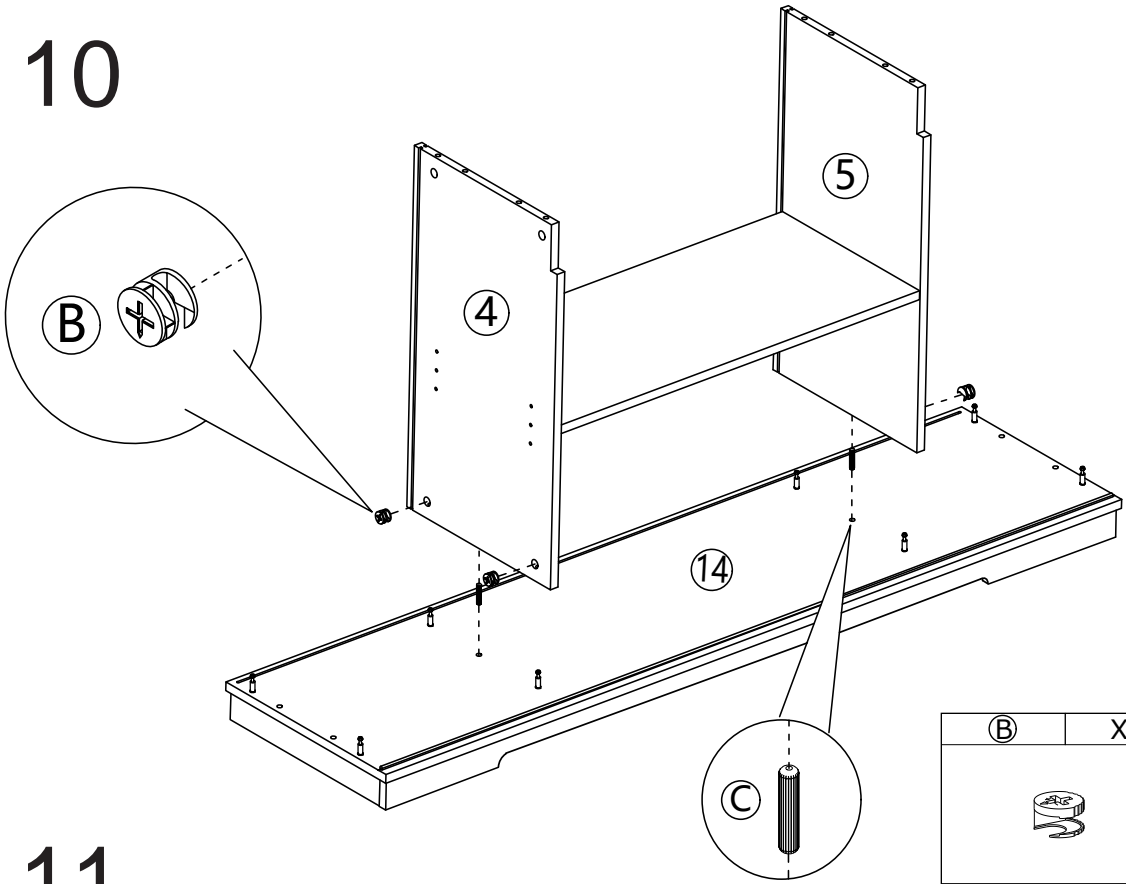
9



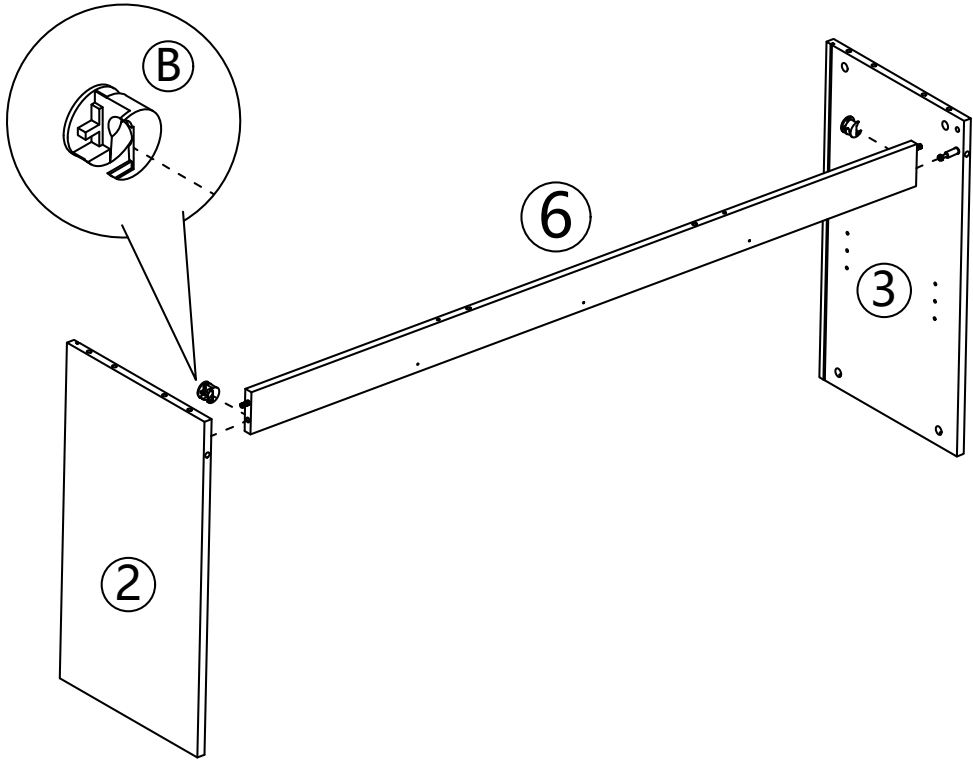
(A)	X8
	

ASSEMBLY INSTRUCTIONS

10

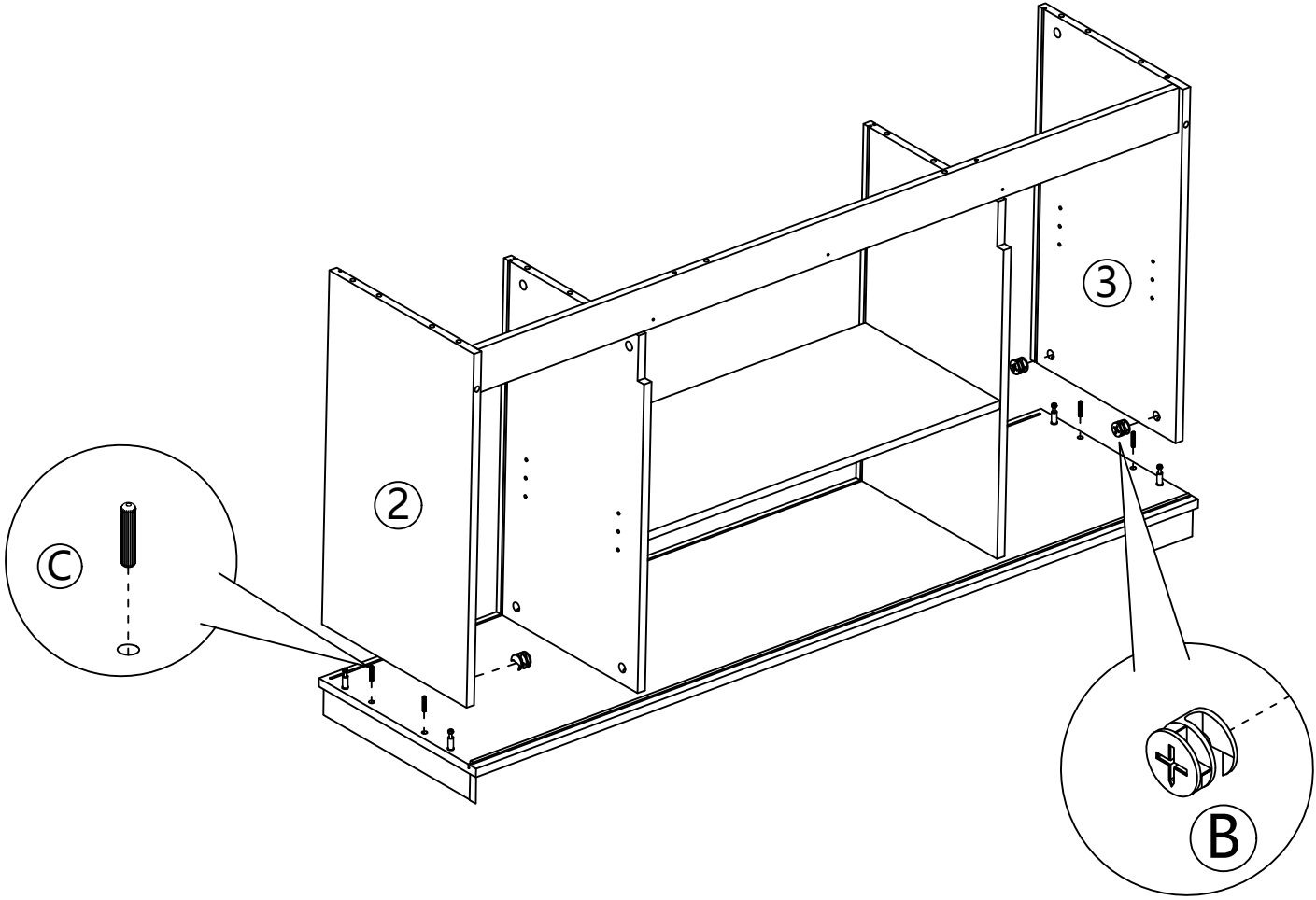




11



ASSEMBLY INSTRUCTIONS

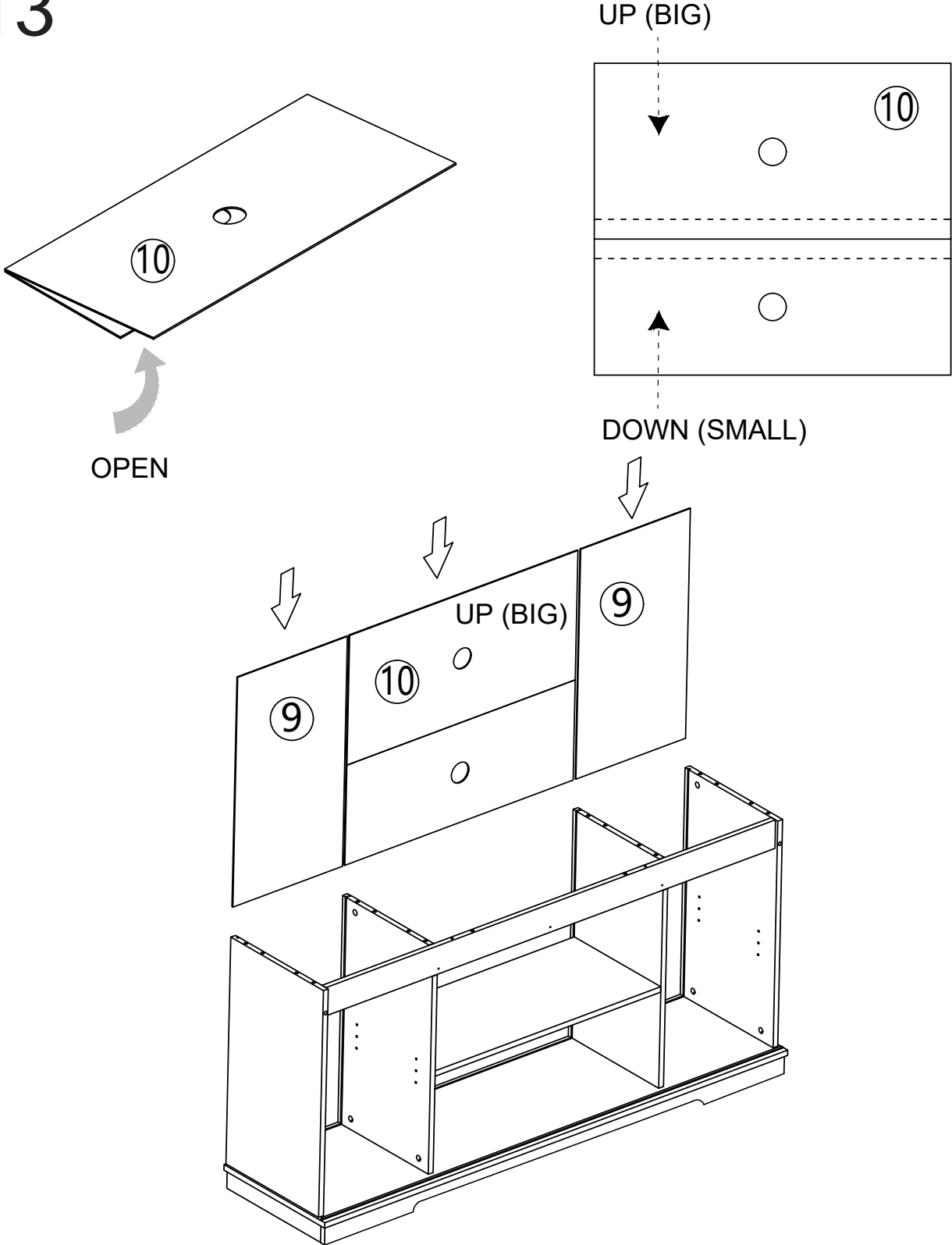
12



(B)	X4	(C)	X4
			

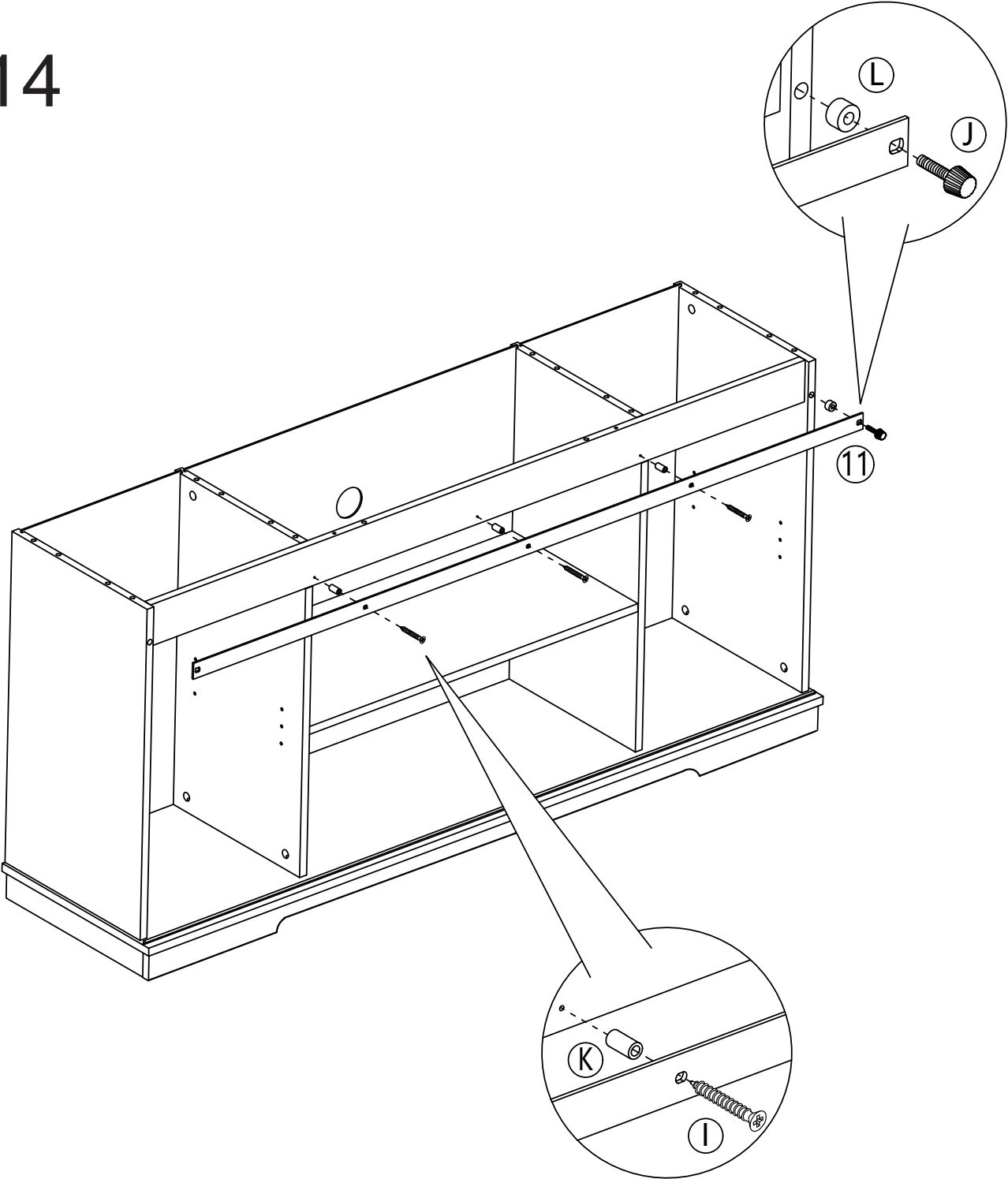
ASSEMBLY INSTRUCTIONS



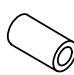

13



ASSEMBLY INSTRUCTIONS

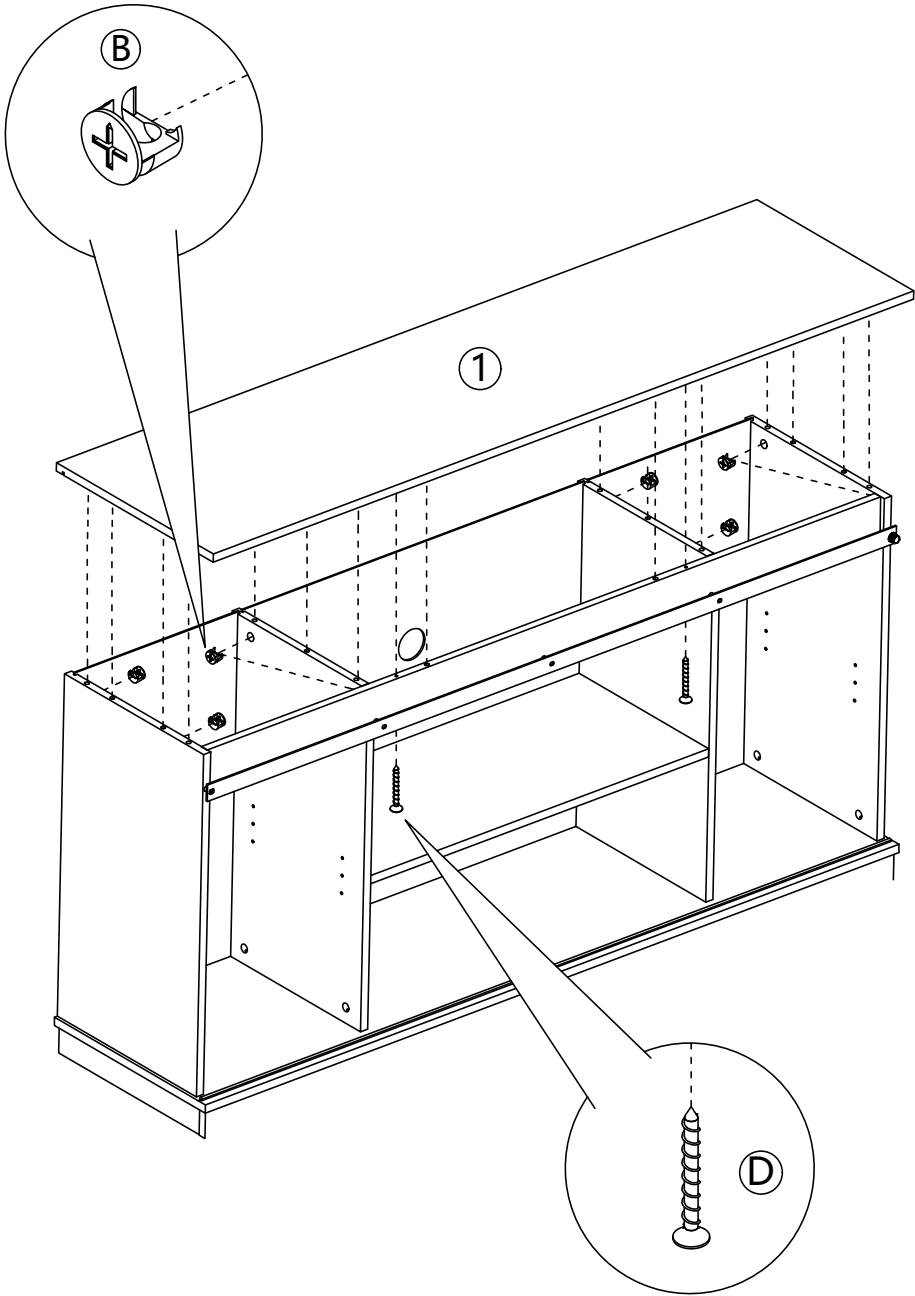
14





Ⓘ	X3	Ⓙ	X1	Ⓚ	X3	Ⓛ	X1
							

ASSEMBLY INSTRUCTIONS

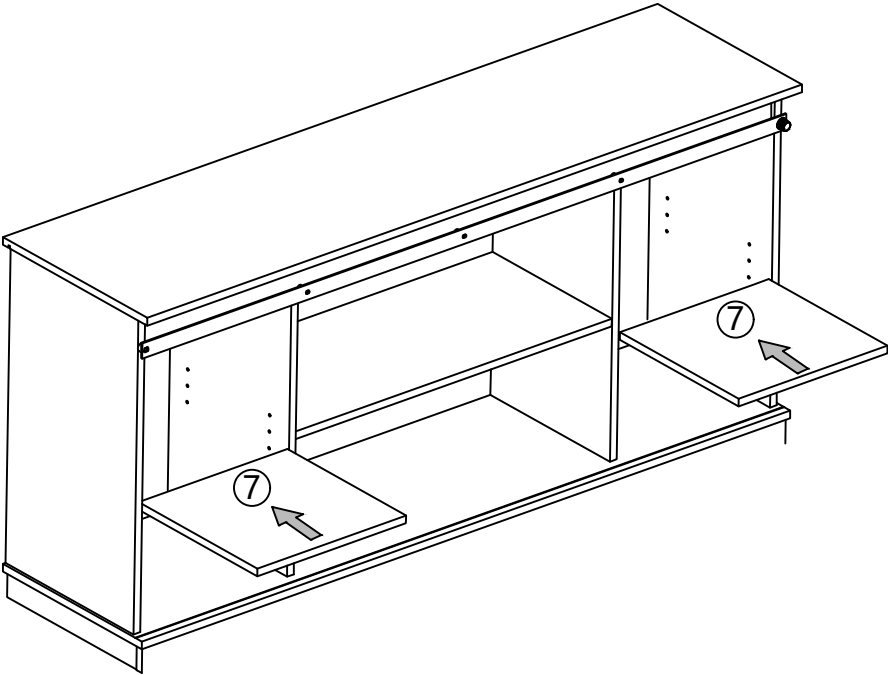
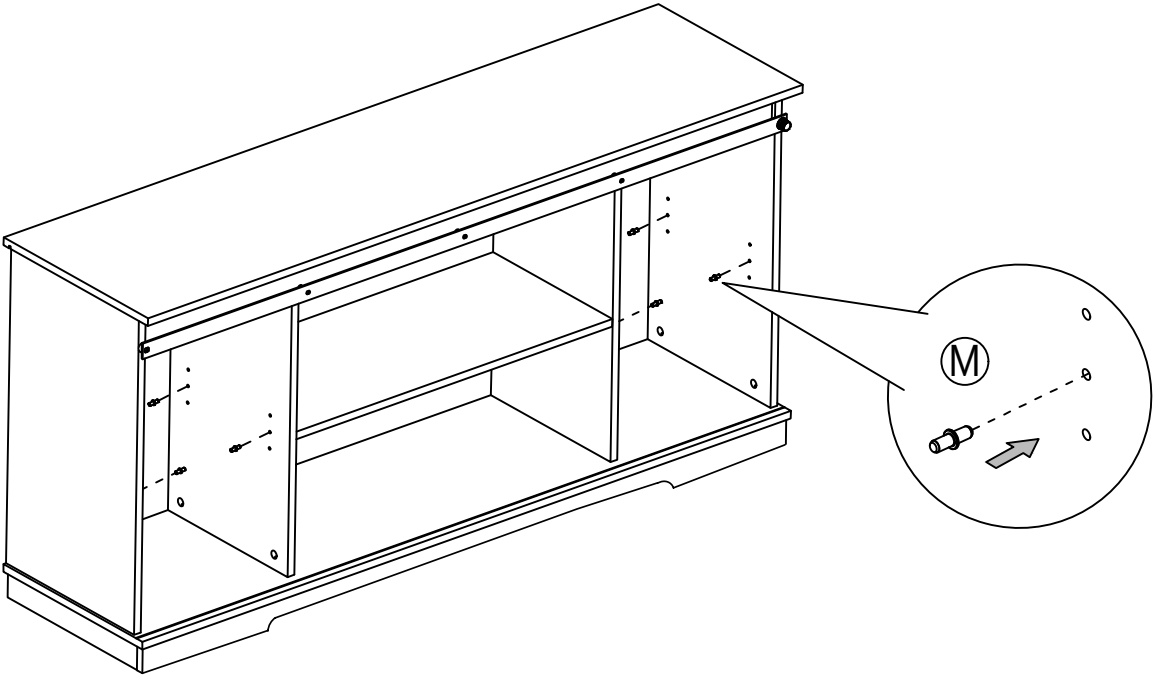
15




(B)	X8	(D)	X2
			

ASSEMBLY INSTRUCTIONS

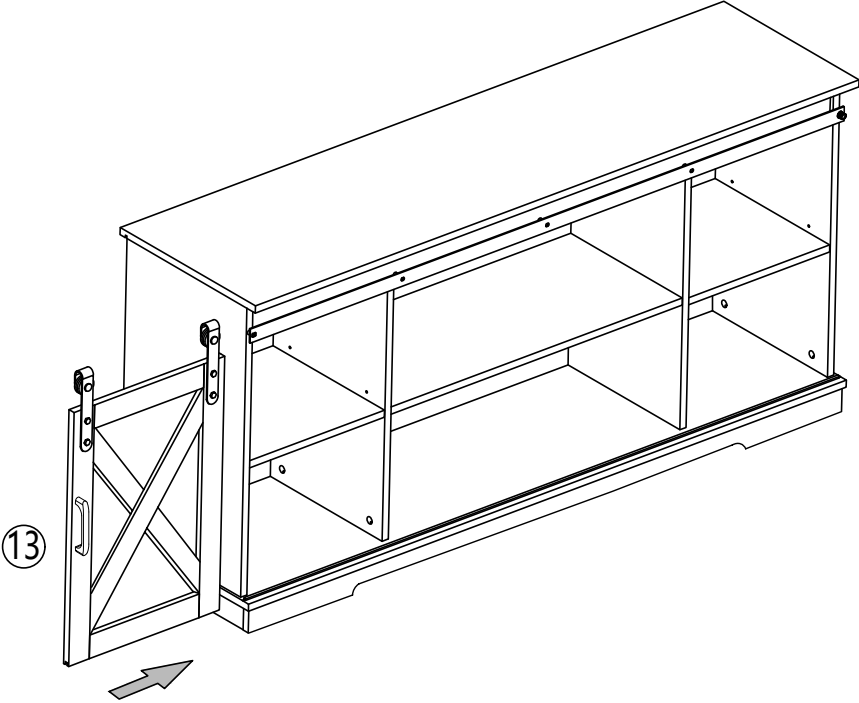
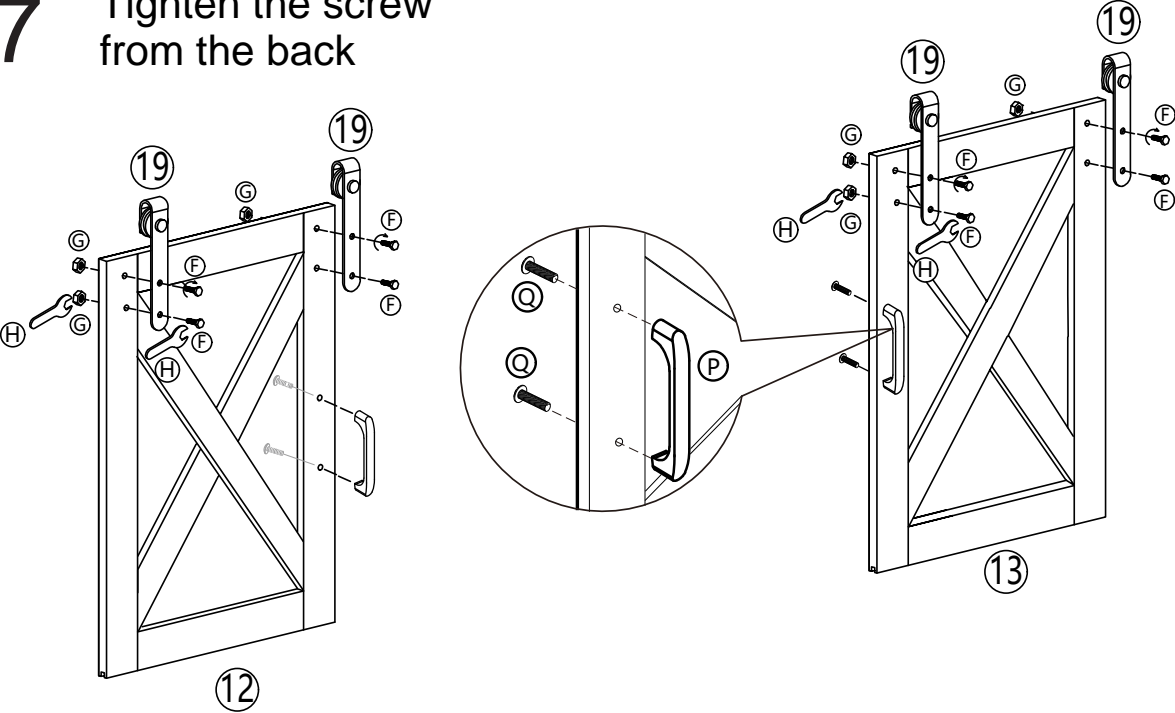
16

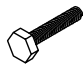






(M)	X8
	

ASSEMBLY INSTRUCTIONS

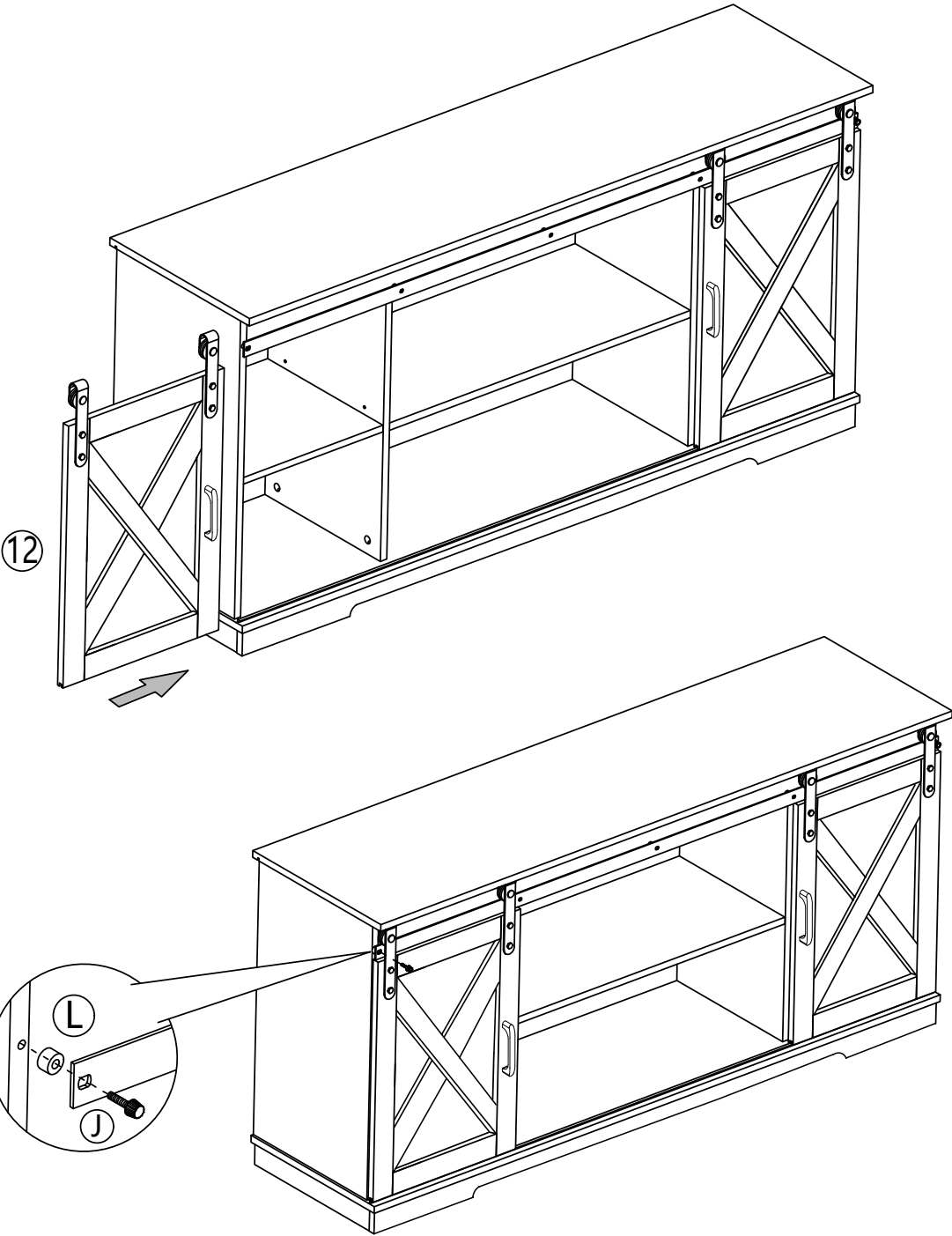
17 Tighten the screw from the back





ⓕ	X8	ⓐ	X8	ⓓ	X2	Ⓟ	X2	Ⓠ	X4
									

ASSEMBLY INSTRUCTIONS

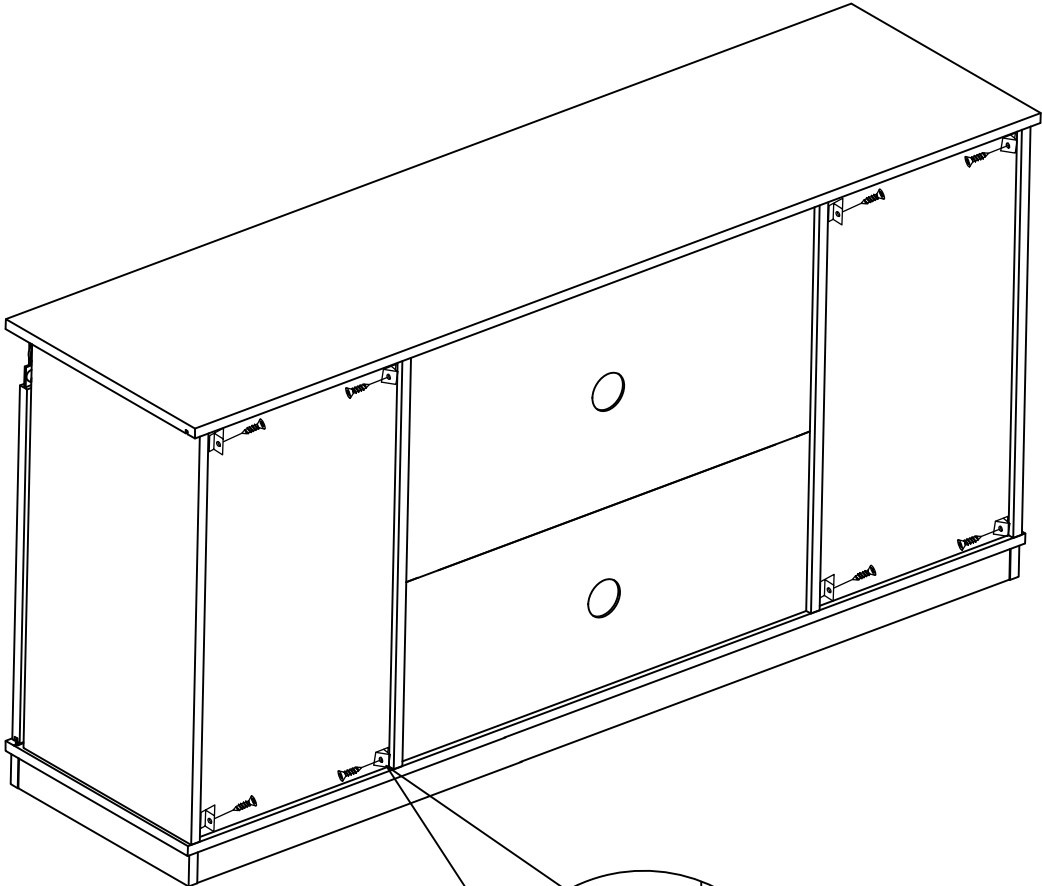
18



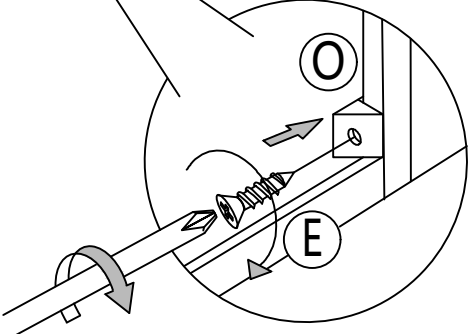
J	X1	L	X1
			


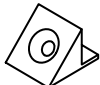
ASSEMBLY INSTRUCTIONS

19



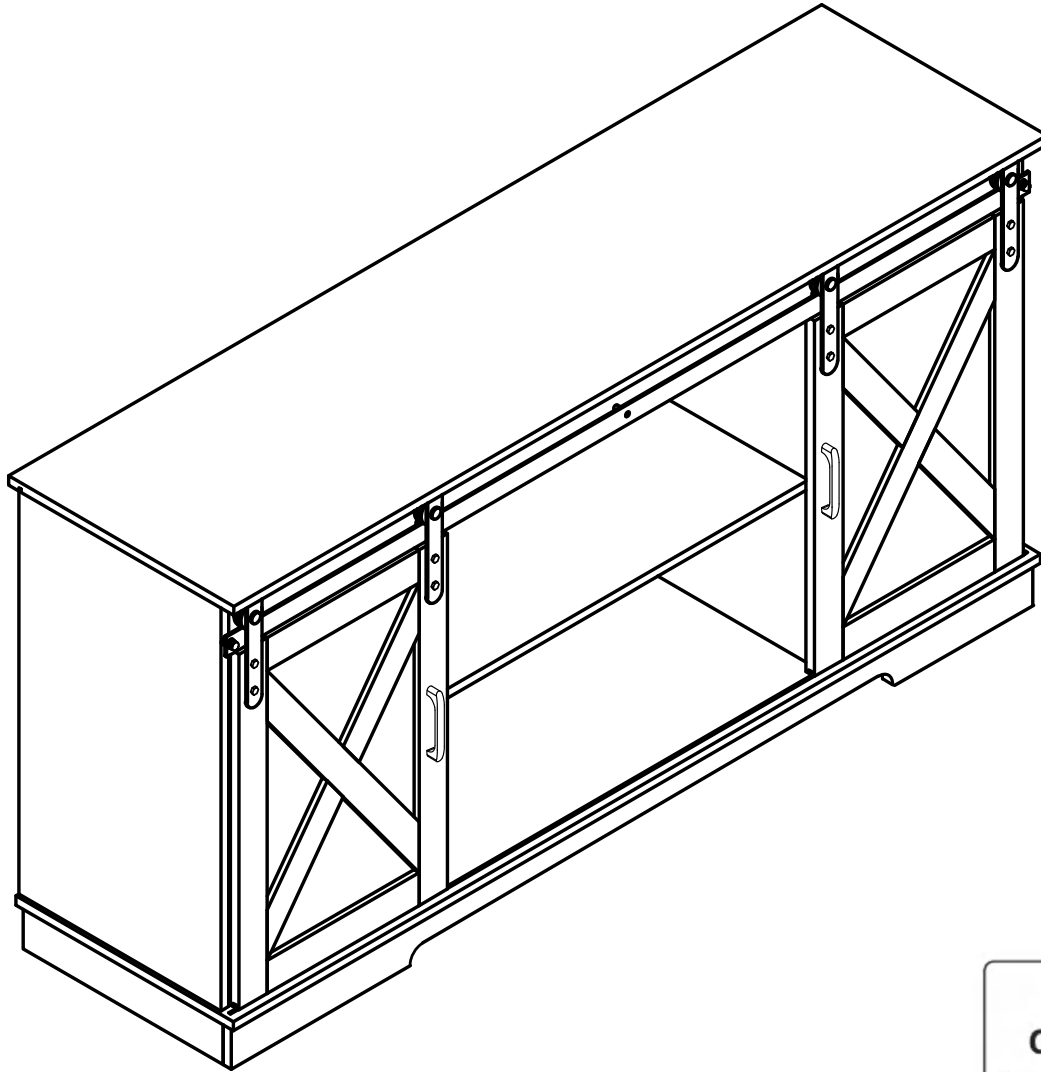
FINISH!



E	X8	O	X8
			

ASSEMBLY INSTRUCTIONS

20



Note: Uneven ground may cause uneven door panels.

ASSEMBLY COMPLETED



Please ensure the furniture rests on an even and flat surface. If the product wobbles or feels loose, double-check all bolts and/or screws are properly tightened and secured.



Keep this handy!

Please retain this instruction manual and any order-related information for future reference.



Lift, don't drag!

To avoid damage to product please always LIFT the product when transporting or adjusting the placement.