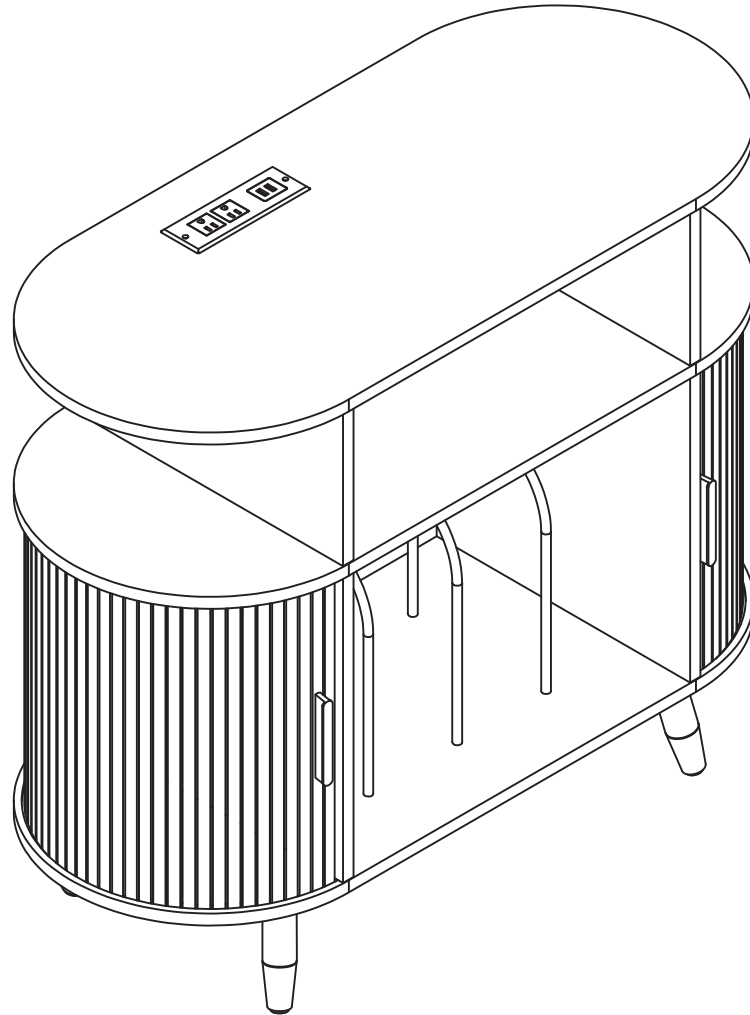


35" Record Player Stand



NOTICE

EN

Please keep these instructions for future reference.

Dear Customer

● Thank you for your purchase. When you receive the product, please make sure that all the parts are intact. If any parts are missing, please contact us promptly to request replacement parts.

● Then follow the entire installation instructions to install.

● Each part is crucial, so please be careful not to lose any. It is recommended to store parts with different lettered identifiers in separate boxes or bags to avoid confusion during installation.

A . The outer box is damaged

B . The product is damaged / bent / cracked while you open the box

C . The parts / accessories / assembly tools are missing

D . The instructions are not clear and can not be referred

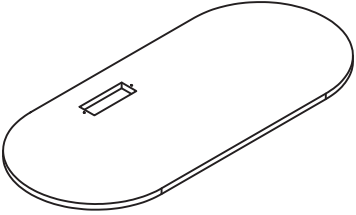
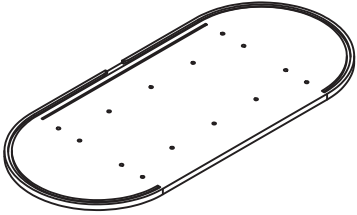
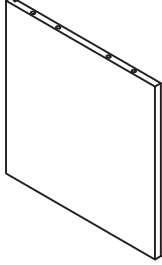
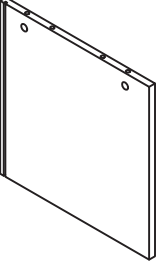
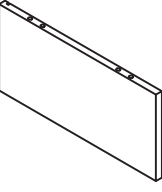
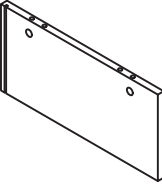
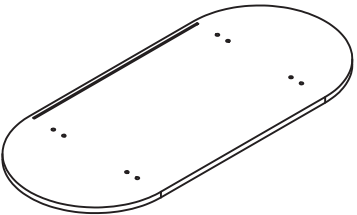

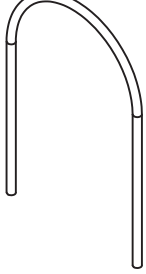
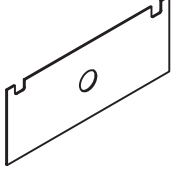
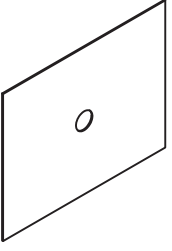

E . The product has functional problems

F . Other aspects that you are not satisfied with



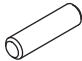

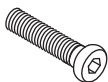
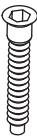
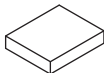

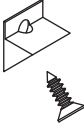


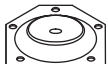
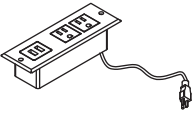
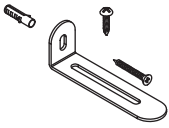



Please feel free to contact us for help, and provide the following information:

Platform/Shop name/Order id/Buyer's name/Receiver's address/Problem description/Problem pictures

PART LIST

<p>①</p>  <p>x1</p>	<p>②</p>  <p>x1</p>	<p>③</p>  <p>x1</p>
<p>④</p>  <p>x1</p>	<p>⑤</p>  <p>x1</p>	<p>⑥</p>  <p>x1</p>
<p>⑦</p>  <p>x1</p>	<p>⑧</p>  <p>x4</p>	<p>⑨</p>  <p>x3</p>
<p>⑩</p>  <p>x1</p>	<p>⑪</p>  <p>x1</p>	<p>⑫</p>  <p>x2</p>

PART LIST

											
A	Ø6*35	8pcs	B	Ø15*9	8pcs	C	Ø8*30	16pcs	D	3.5*14	22pcs
											
E	M6*32	6pcs	F	7*38	8pcs	G	/	1pcs	H	20*0.5	8pcs
											
I	/	14pcs	J	M4*8	4pcs	K	/	2pcs	L	/	4pcs
											
M	/	1pcs	N	/	2pcs	O	M4	1pcs	P	/	1pcs
											
Q	20*3	4pcs									

⚠ WARNING

EN

Please do not tighten all the screws before the assembling is done.

DE

Bitte ziehen Sie alle Schrauben erst fest, wenn die Montage abgeschlossen ist.

FR

Veuillez ne pas serrer toutes les vis avant que l'assemblage ne soit terminé.

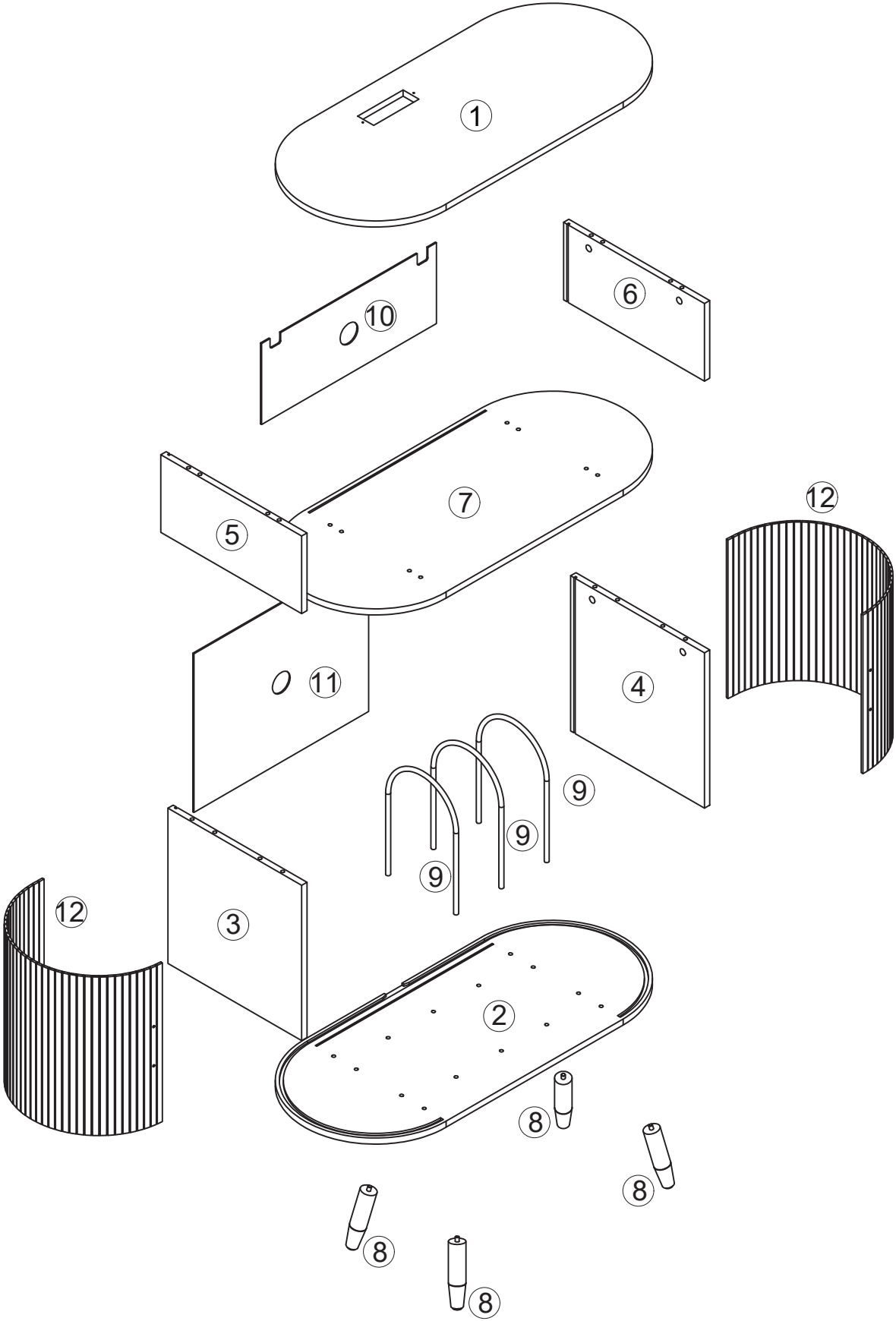
Ita

Si prega di non serrare tutte le viti prima che il montaggio sia completato.

ES

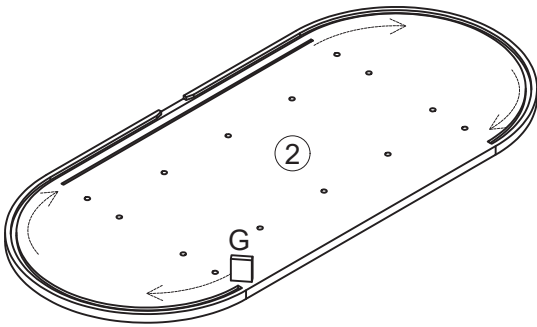
Por favor, no apriete todos los tornillos antes de que el ensamblaje esté terminado.

PART LIST

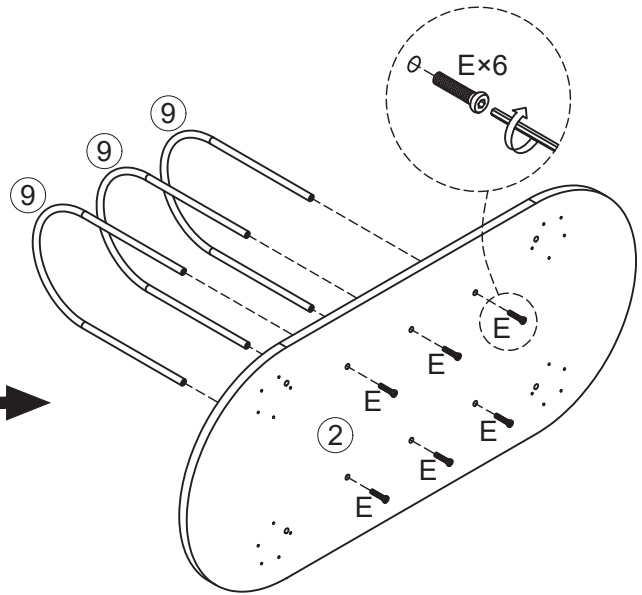


STEP

01

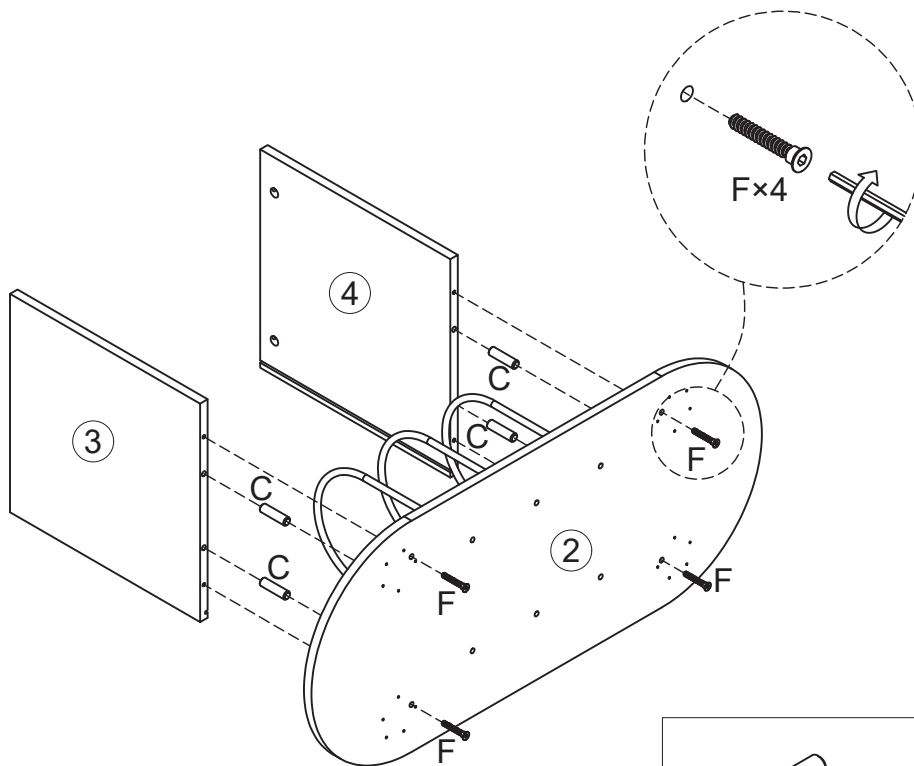


lubricate the sliding groove with wax block



G	E
1pcs	6pcs

02

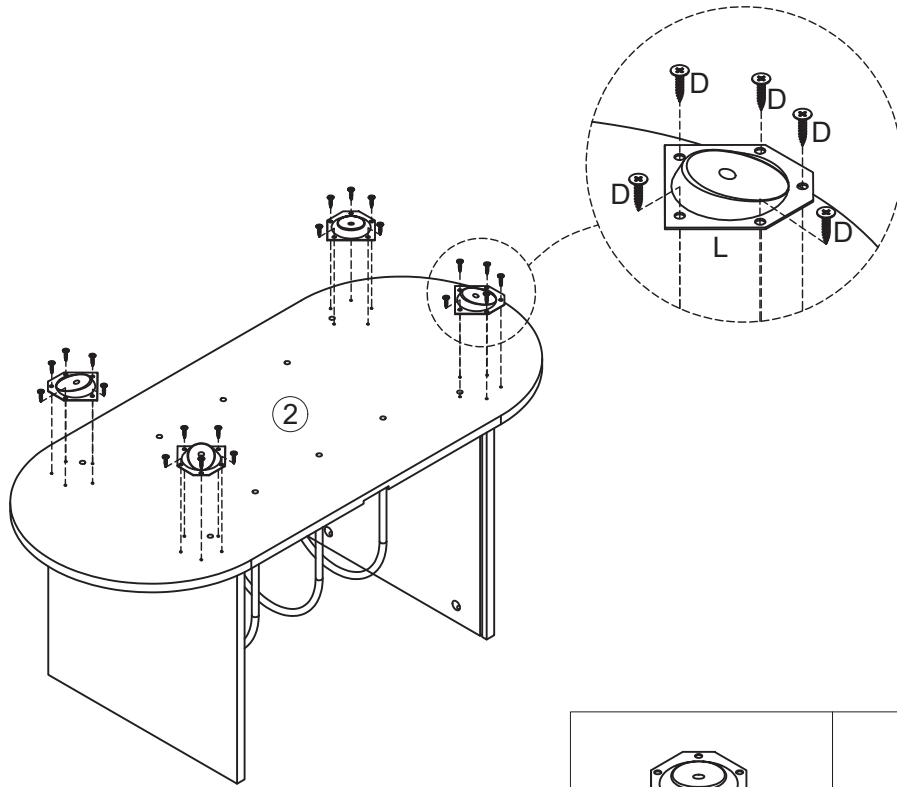




C	F
Ø8*30	Ø7*38
4pcs	4pcs

04

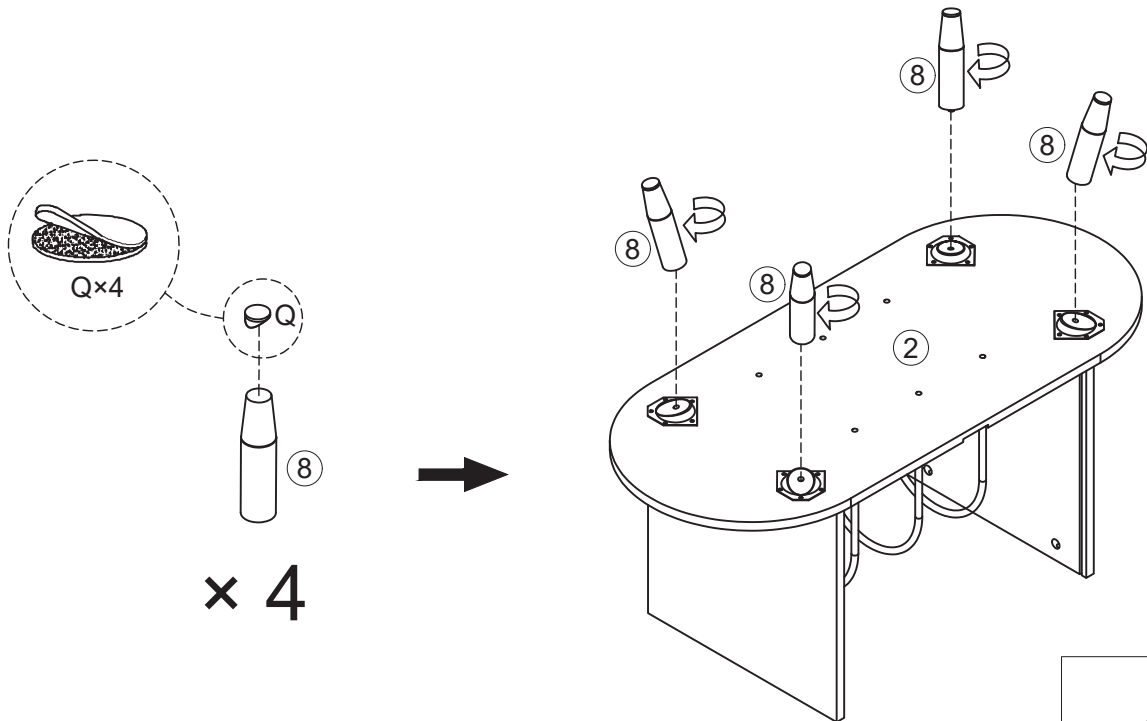
STEP


03



		
L	4pcs	
D	Ø3.5*14	20pcs

04

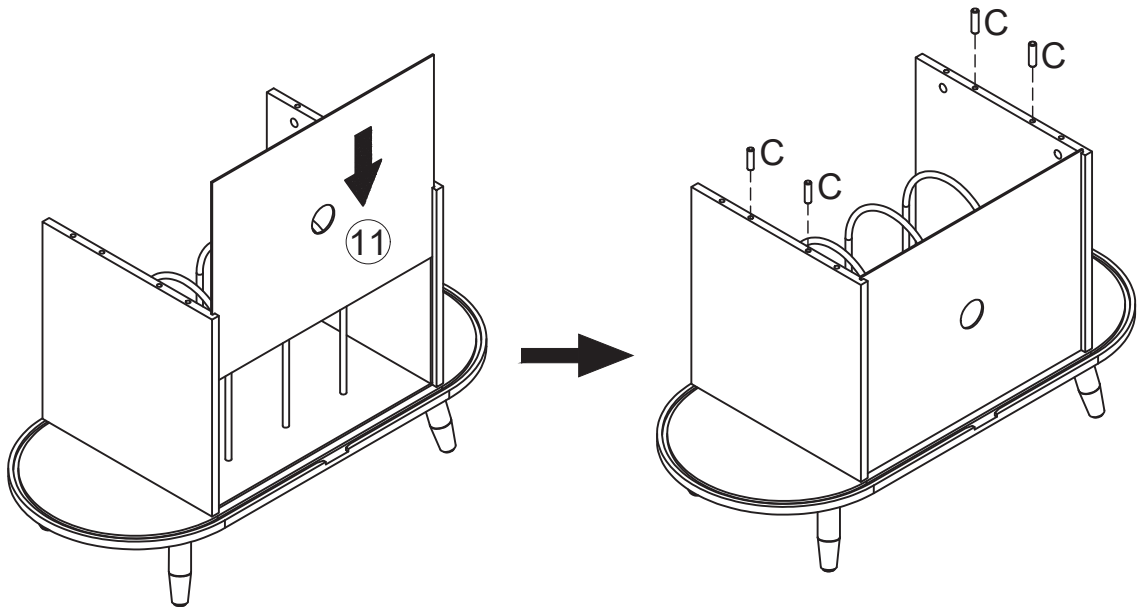



		
Q	Ø20*3	4pcs

05

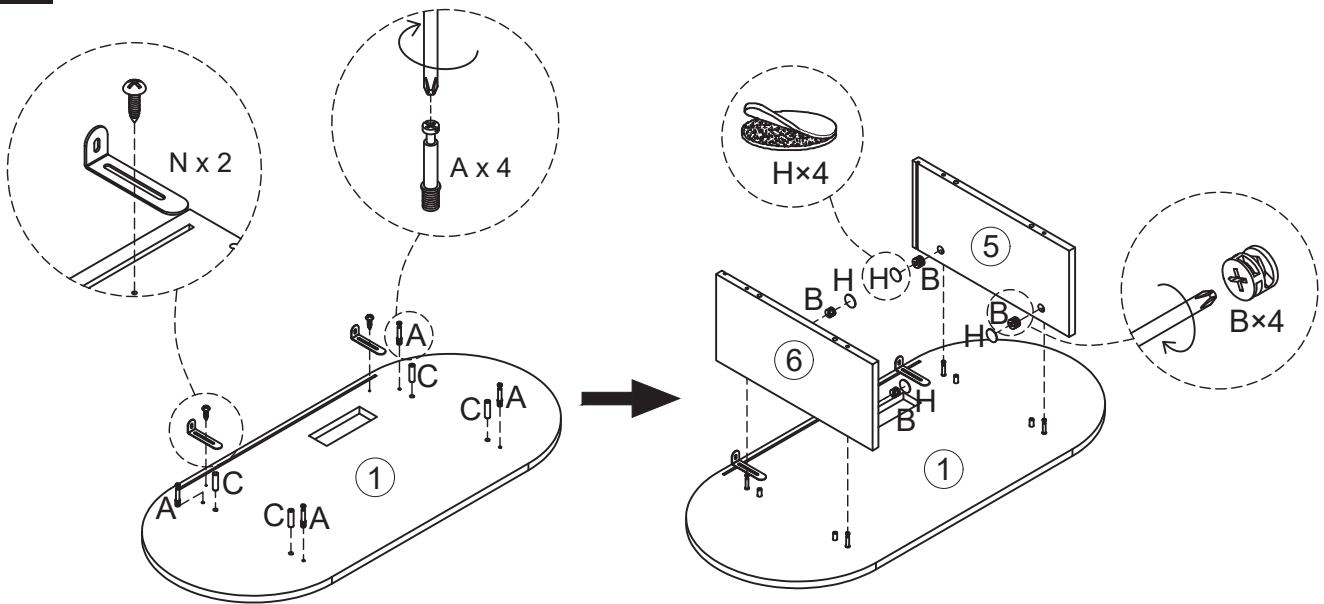
STEP



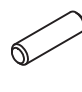


05



		
C	Ø8*30	4pcs

06

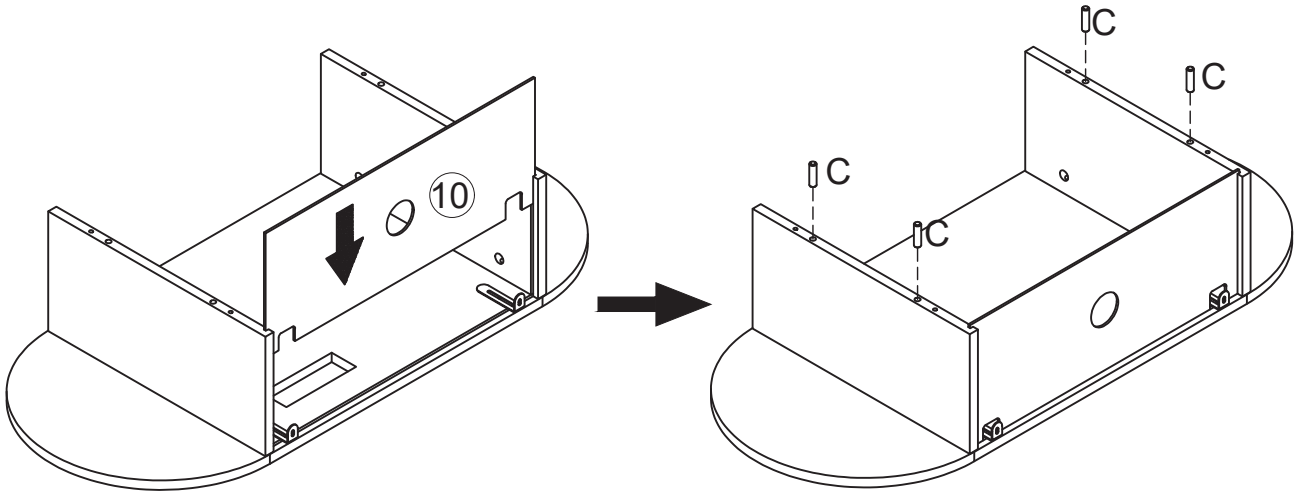



				
N	H	A	B	A
2pcs	Ø20*0.5 4pcs	Ø8*30 4pcs	Ø15*9 4pcs	Ø6*35 4pcs

06

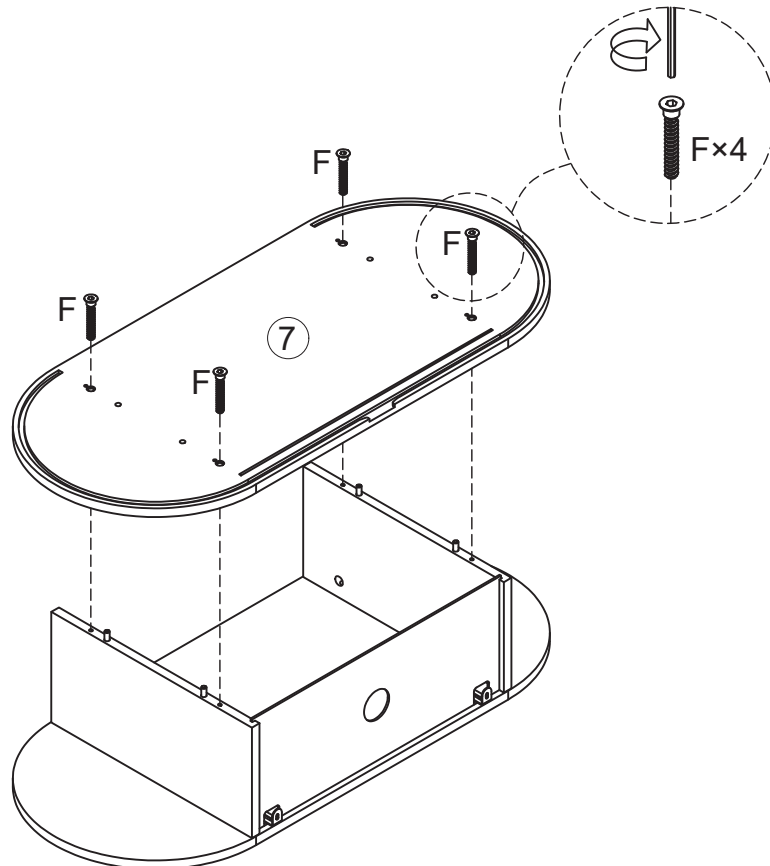
STEP


07



		
C	Ø8*30	4pcs

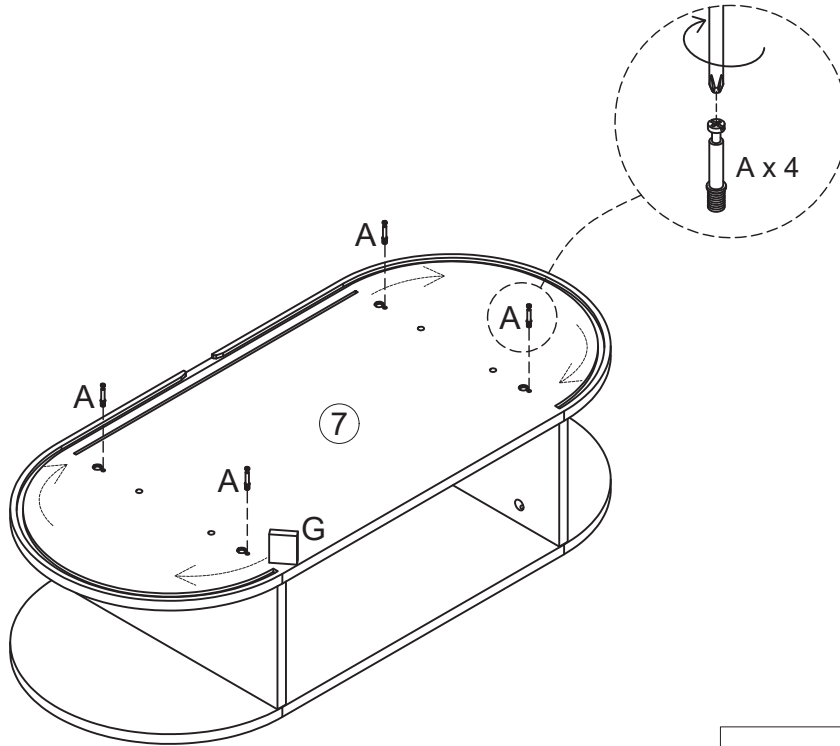
08



		
F	Ø7*38	4pcs

STEP

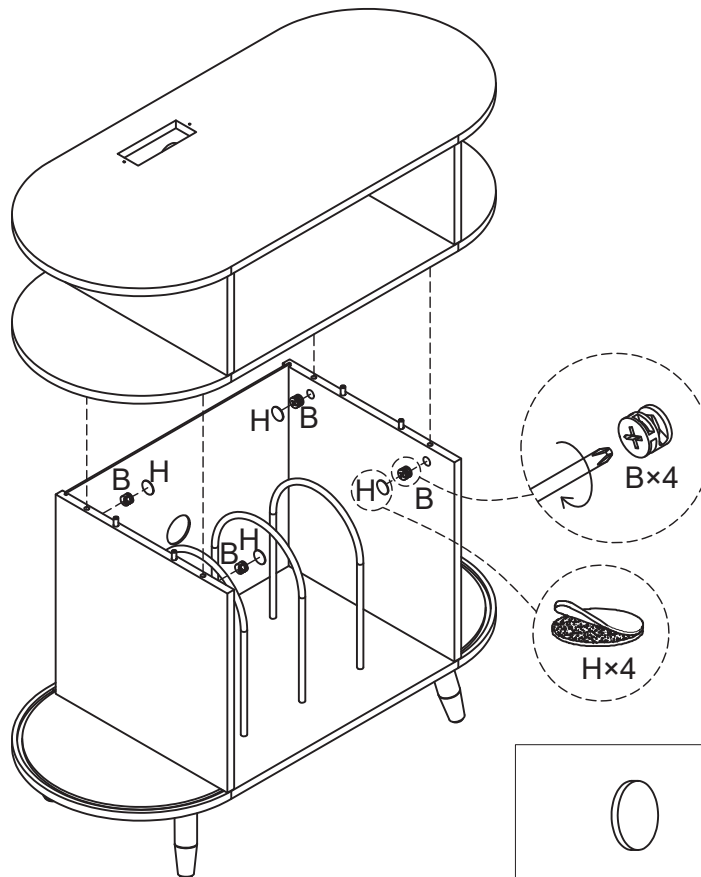
09



lubricate the sliding groove with wax block

G	/	1pcs	A	Ø6*35	4pcs

10

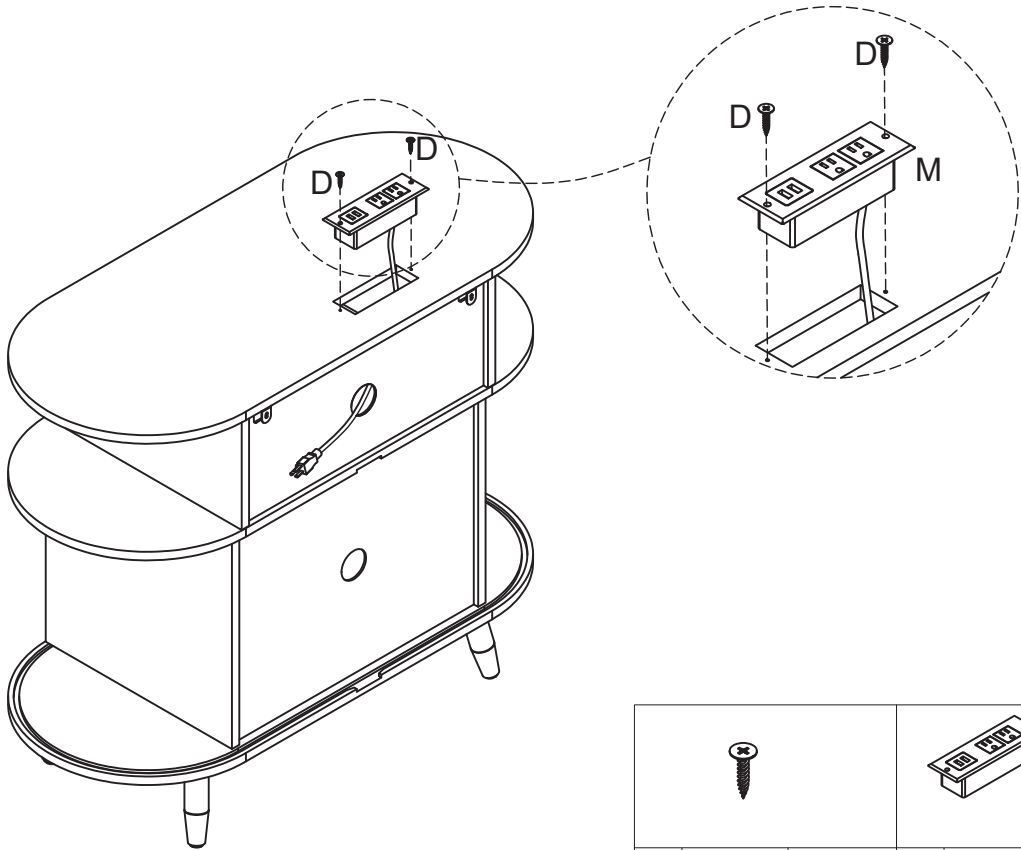


H	Ø20*0.5	4pcs	B	Ø15*9	4pcs

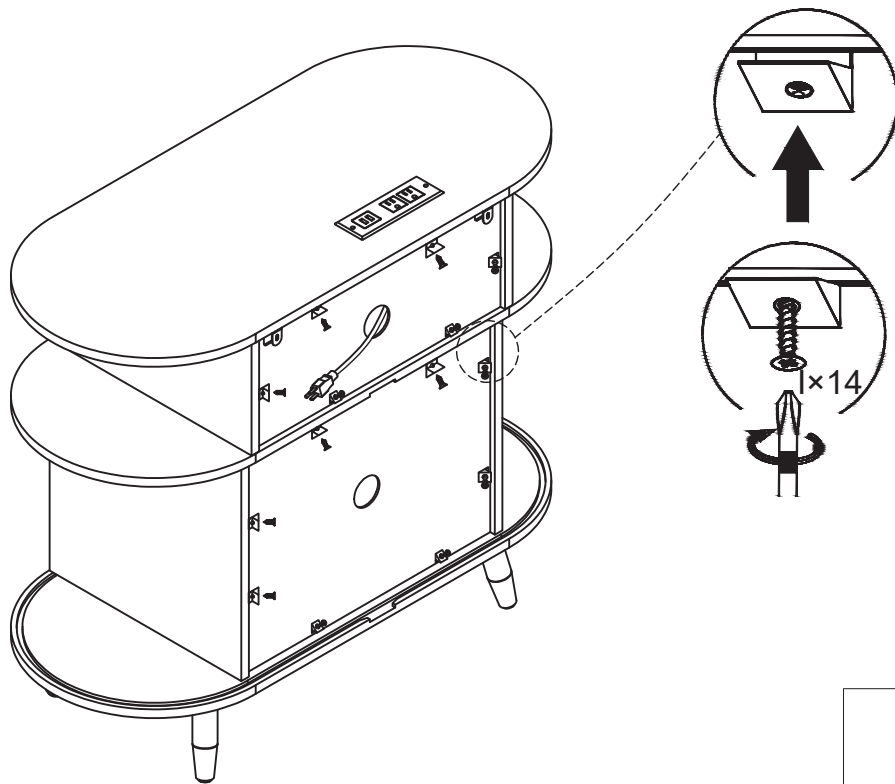
08

STEP

11

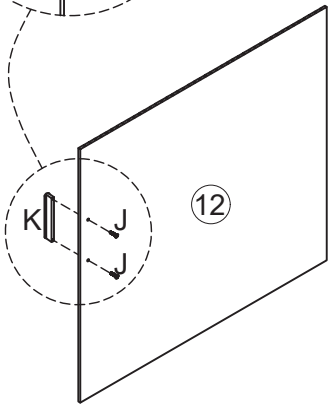
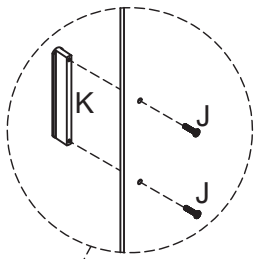


12

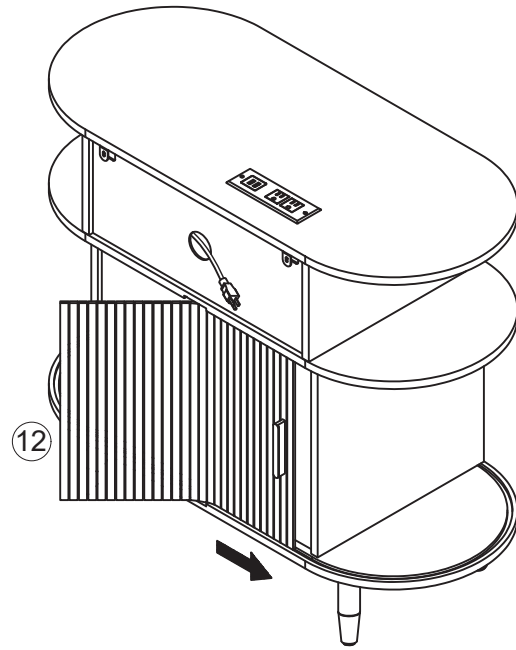


STEP

13

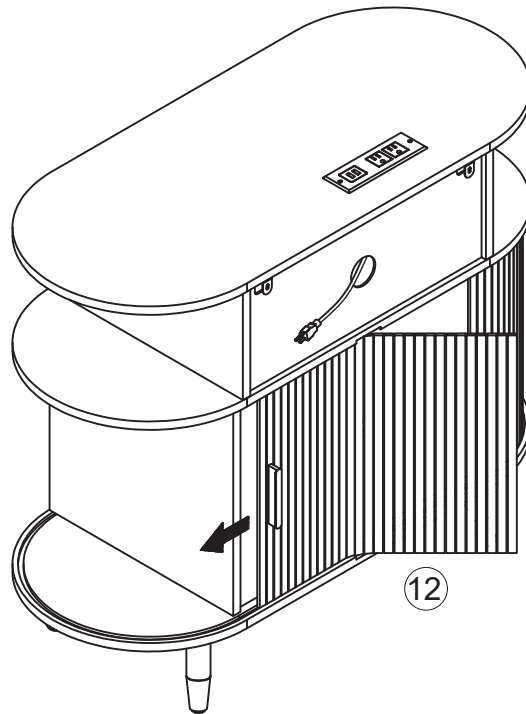


× 2

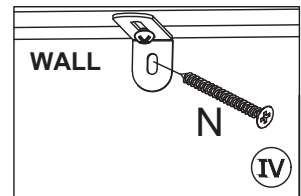
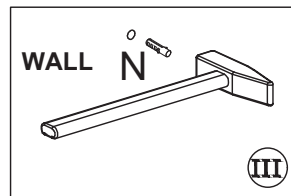
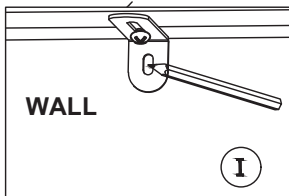
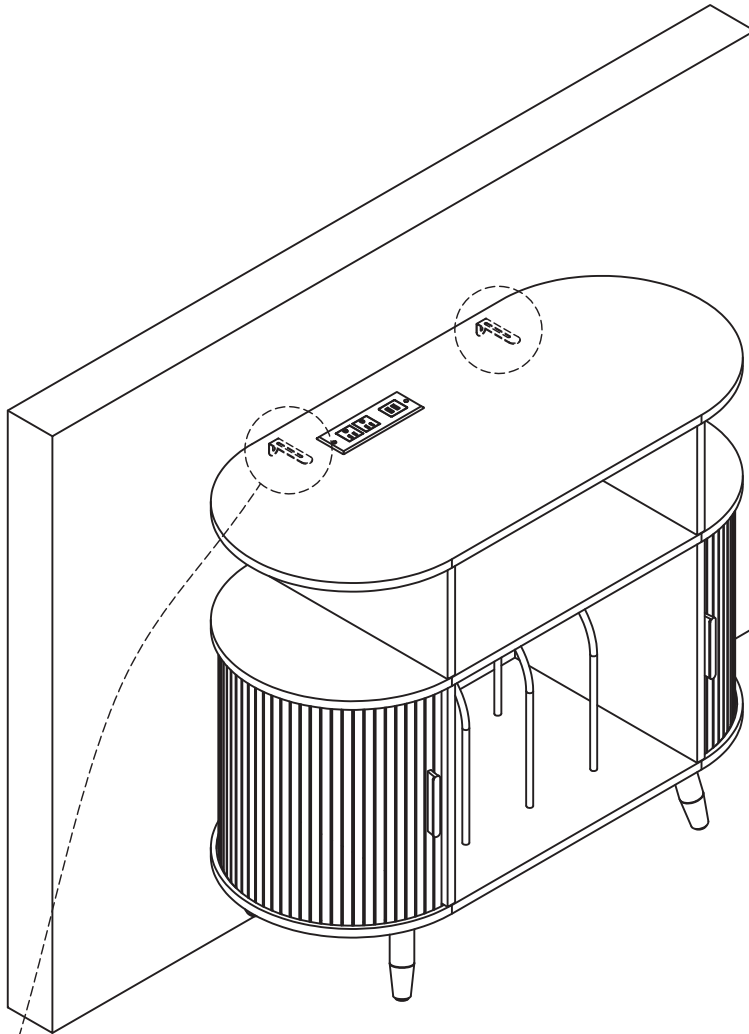


K	J
2pcs	M4*8
	4pcs

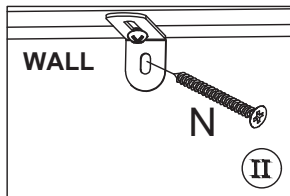
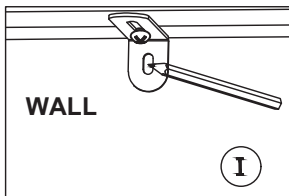
14



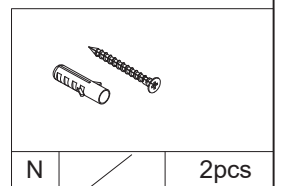
15



Solid wall surface



Wooden wall



AFTER-SALE SERVICE

If you have any suggestions for our products or notice any quality issues, please contact us first. Our after-sales team will respond within 24 hours and will do everything possible to provide you with a satisfactory solution.

Guaranteed Customer Service

Your shopping experience is very important to us!

Feel unsatisfied? **Contact us!**

Have any questions? **Contact us!**

Wanna Share how wonderful our smart products make your home?

Share your pictures with us.

Any suggestions? **Contact us!**

We will check and give feedback.