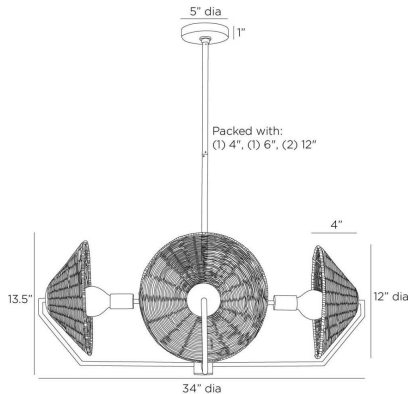


ARTERIO RS

COLEMAN CHANDELIER



DMC23

H: 18.5 IN, Dia: 34.00 IN

Natural Rattan

Contemporary silhouettes meet traditional materials. A quartet of umbrella shades in natural rattan are suspended with streamlined fixture plated in English bronze steel. Suspended from a sleek matching canopy, each reflective shape allows a play of light and shadow. Ideal for both a modern and coastal environment. Finish will vary.

APPEARANCE

Material	Rattan, Steel
Finish	Natural, English Bronze
Finish Will Vary	Yes
Top Coat/Sealant	No

DIMENSIONS

Canopy	H: 1 IN, Dia: 5.00 IN
Chandelier	H: 13.5 IN, Dia: 34.00 IN
Shade	H: 4 IN, Dia: 12 IN
Minimum Hanging	H: 18.5 IN
Max Hanging Height	48.5 in

WIRING

Rating	Damp
Cord	10 FT, Clear/Silver, SVT
Socket	4, Type A - E26
Maximum Watt	60
Voltage	110-120 V

CERTIFICATIONS

Certifications	Mexico, United Arab Emirates, European Union, United States, Canada, Australia
----------------	--

COMPLIANCY

UL/ETL	Yes
CB	Yes
RoHS	Yes

SHIPPING

Product Weight	9 lbs
Gross Weight 1	14.3 lbs
Shipping Box 1	H: 28 IN, L: 28 IN, W: 15 IN

REPLACEMENT PARTS

Replacement Part 1	PIPE-240
Replacement Part 1 Dim	(1) 4", (1) 6", (1) 12"
Replacement Part 2	CANOPY-510
Replacement Part 2 Dim	1" x 5"

CONTRACT

Contract Suitable	Yes
-------------------	-----