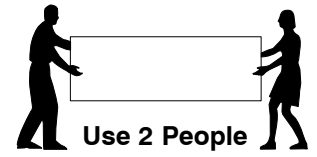
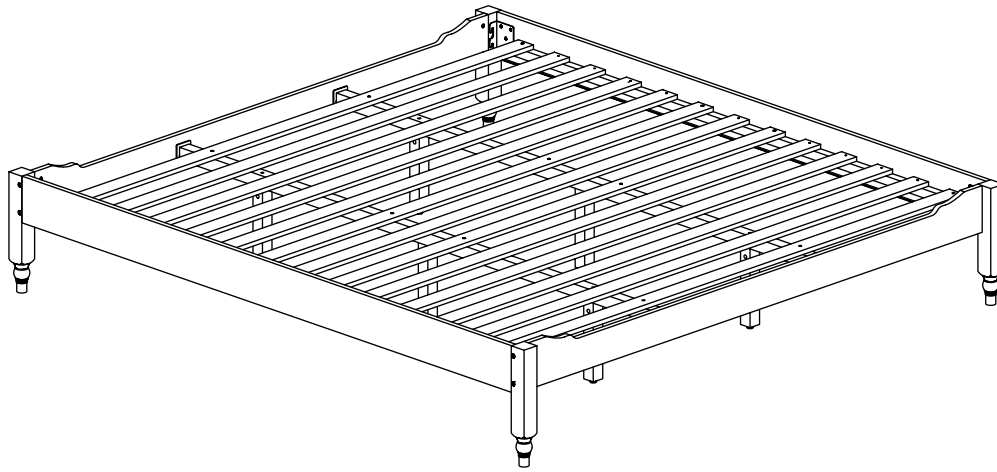


# King Bed

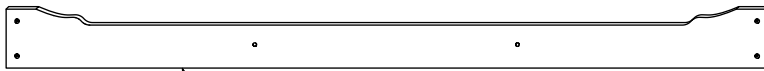
Assembly Instructions

## 1 Assembled View

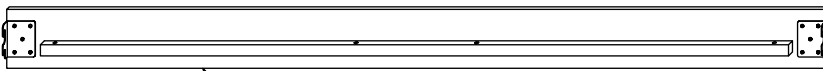


**Note:** Do not assemble using power tools. This can cause the bolts to be overtightened

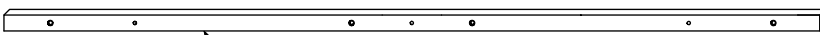
## 2 Parts List



**A** Head / Footboard Panel x 2



**B** Side Rail x 2



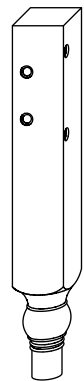
**C** Long Support x 2



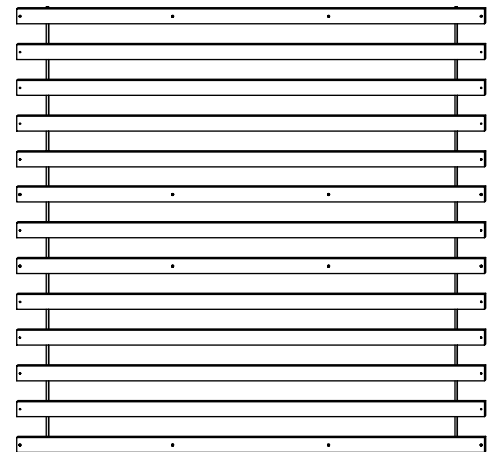
**D** Support Leg x 6



**E** Post (Left hand) x 2



**F** Post (Right hand) x 2



**G** Set of Bed Slats x 1

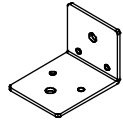
# King Bed

Assembly Instructions

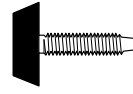
## 3 Hardware List



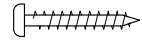
1 M4 Allen Key  
x 1



2 Center Rail  
Bracket x 4



3 Adjustable  
Foot x 6



4 Wood Screw  
(M4 x 32mm) x 18



5 Wood Dowel  
(10 x 40mm) x 4



6 Barrel Nut  
x 14



7 Spring Washer  
x 8



8 Flat Washer  
x 8



9 M6 x 15mm JCB  
x 8



10 M6 x 20mm JCB  
x 8

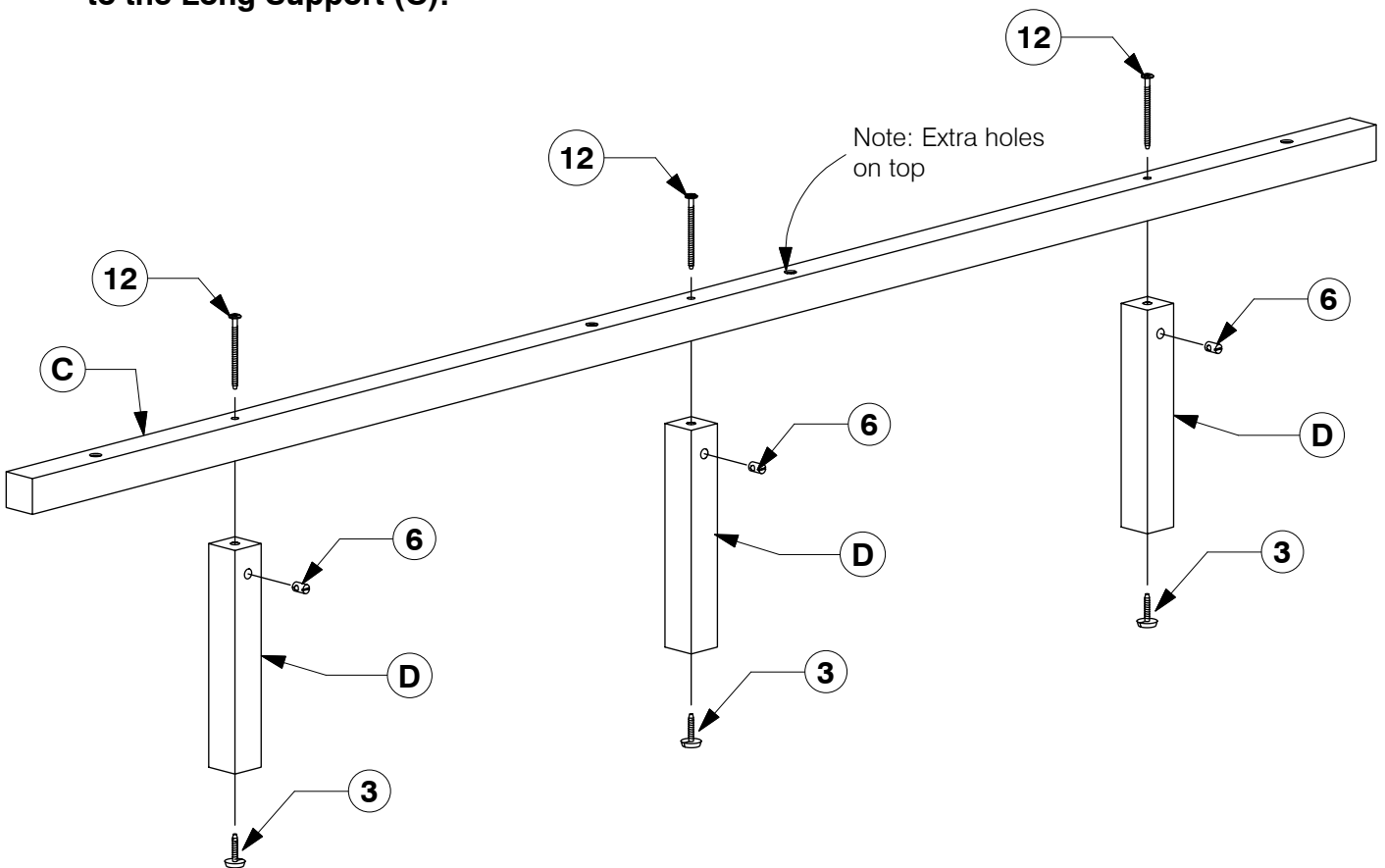


11 M6 x 40mm JCB  
x 16



12 M6 x 90mm JCB  
x 14

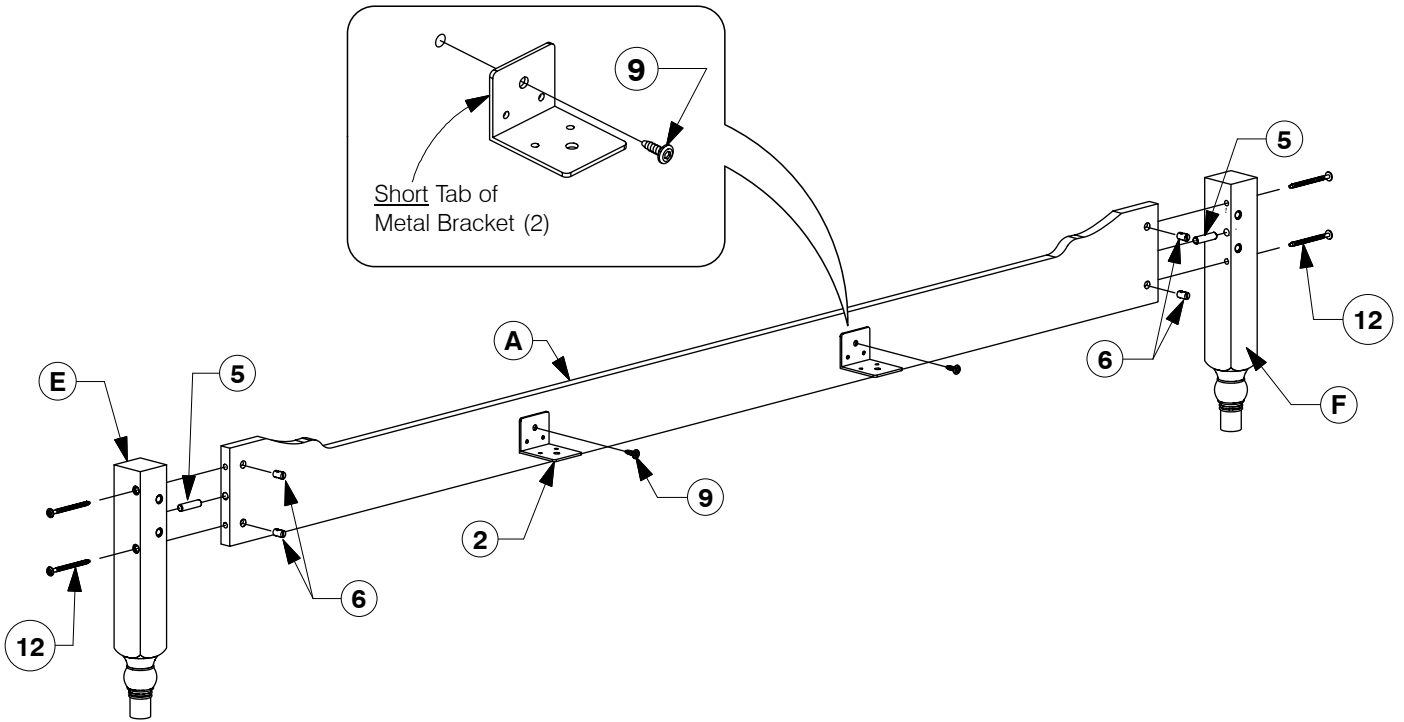
## 4 Assembled the Support Leg (D) to the Long Support (C).



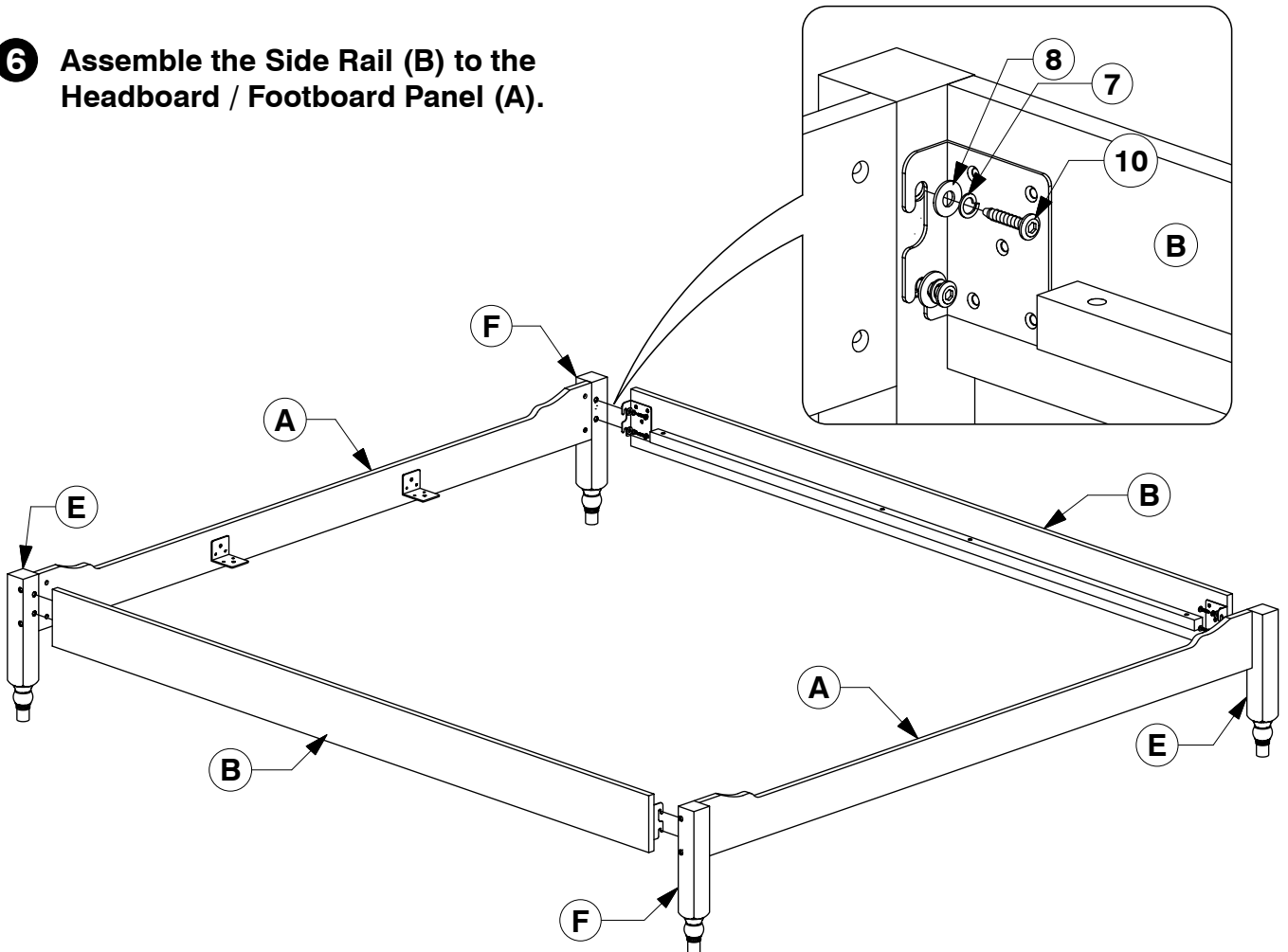
# King Bed

## Assembly Instructions

- 5** Assemble the Post (E & F) to the Head / Footboard Panel (A).  
Fit the Center Rail Bracket to the Head / Footboard Panel (A).



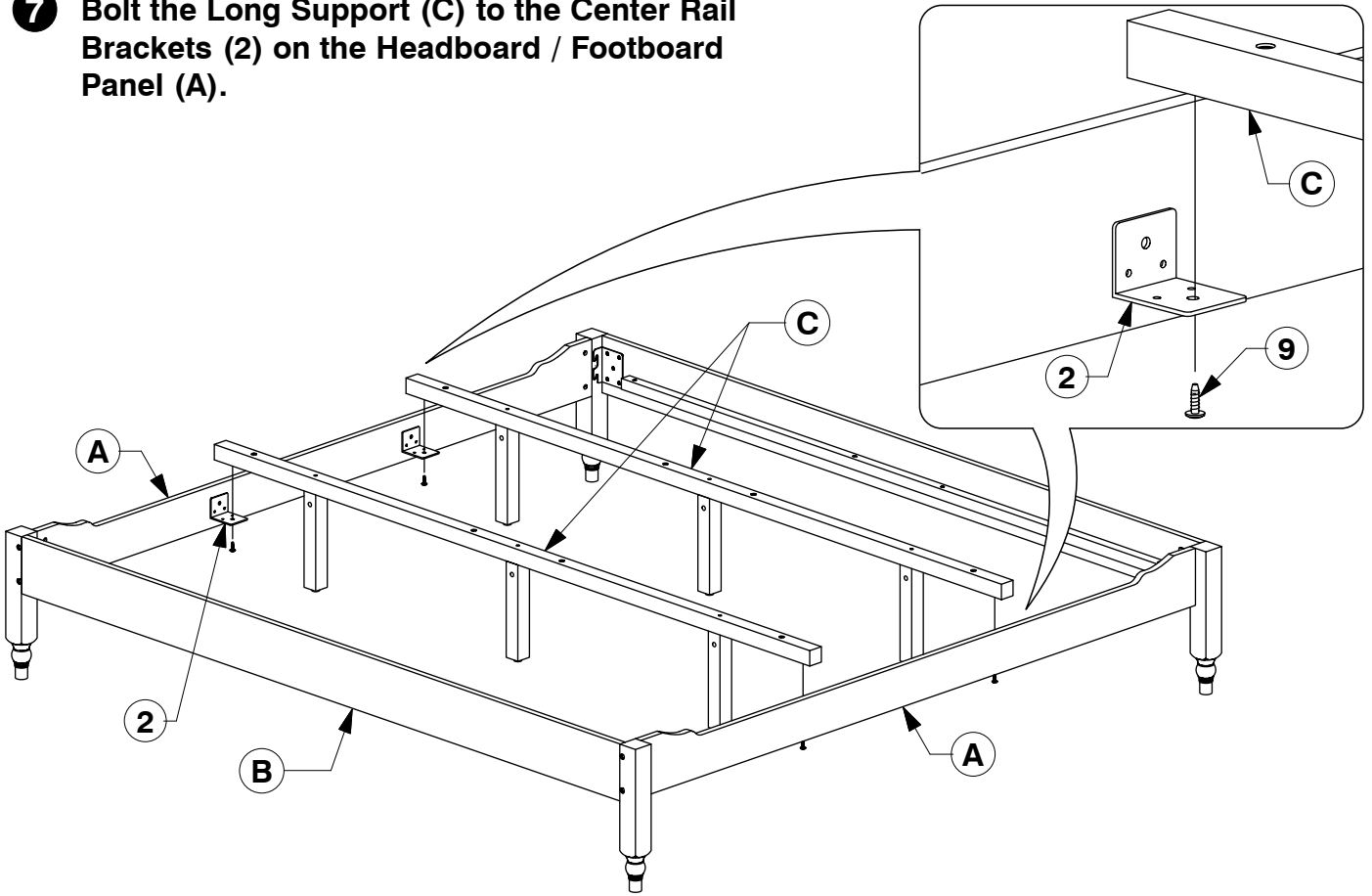
- 6** Assemble the Side Rail (B) to the Headboard / Footboard Panel (A).



# King Bed

## Assembly Instructions

- 7 Bolt the Long Support (C) to the Center Rail Brackets (2) on the Headboard / Footboard Panel (A).**



- 8 Bolt & screw the Bed Slats (G) to the Side Rail (B).**

