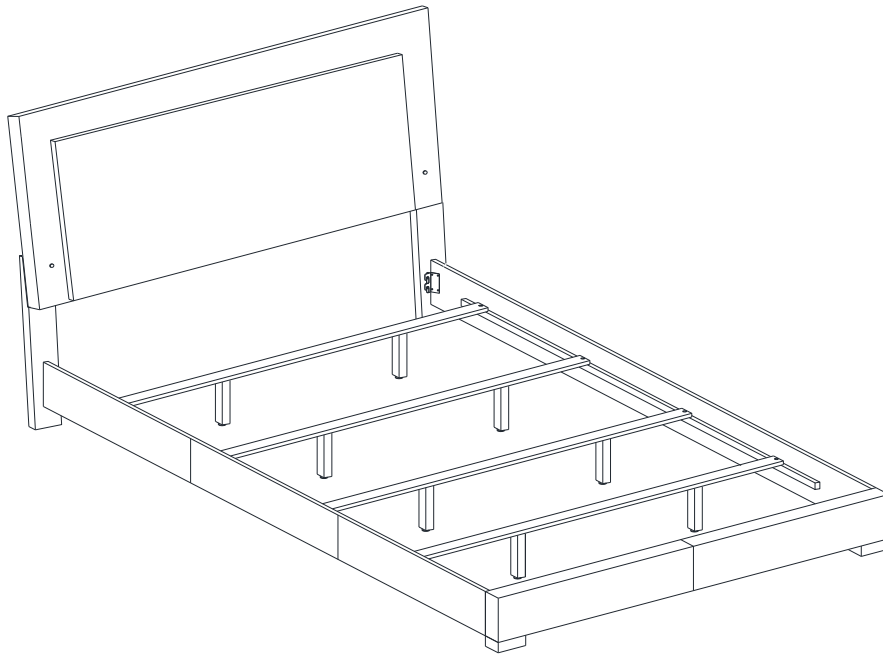


ASSEMBLY INSTRUCTIONS COASTER FINE FURNITURE



Fine Furniture for every stage of life

EasternKingBed

ASSEMBLY INSTRUCTIONS

ASSEMBLY TIPS:

1. Remove hardware from box and sort by size.
2. Please check to see that all hardware and parts are present prior to start of assembly.
3. Please follow attached instructions in the same sequence as numbered to assure fast & easy assembly.

WARNING!



1. Don't attempt to repair or modify parts that are broken or defective. Please contact the store immediately.
2. This product is for home use only and not intended for commercial establishments.




ASSEMBLY TIME

20 MINUTES

PARTS IDENTIFICATION

B1 (BOX 1)

A HEADBOARD PANEL  **1PC**

B RIGHT HEADBOARD LEG  **1PC**

C LEFT HEADBOARD LEG  **1PC**

B2 (BOX 2)

D BED SLAT  **4PCS**

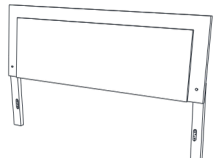
E BED SLAT SUPPORT WITH LEVELER  **8PCS**

F BED RAIL  **2PCS**

G FOOTBOARD LEG  **2PCS**

H FOOTBOARD PANEL  **1PC**

I ADAPTER PLUG  **1PC**

HB 203500KE (B1) FROM BOX 1 HEADBOARD COMPLETE  **1PC**

NOTE:

Phillipshead screw driver is required in the assembly process; however, manufacturer does not provide this item.

ASSEMBLY INSTRUCTIONS

ASSEMBLY TIPS:

1. Remove hardware from box and sort by size.
2. Please check to see that all hardware and parts are present prior to start of assembly.
3. Please follow attached instructions in the same sequence as numbered to assure fast & easy assembly.

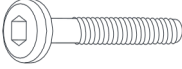





WARNING!

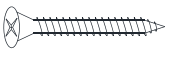

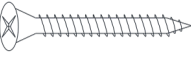

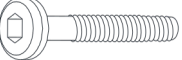
1. Don't attempt to repair or modify parts that are broken or defective. Please contact the store immediately.
2. This product is for home use only and not intended for commercial establishments.

HARDWARE IDENTIFICATION

Z-B1 (BOX 1) - HARDWARE PACK IS LOCATED IN 203500KE (B1)

1	BOLT (M6x30mm - BLK)		6PCS	3	FLAT WASHER (1/4"X13mm - BLK)		6PCS
2	ALLEN WRENCH (M4x60MM - BLK)		1PC	4	LOCK WASHER (1/4" - BLK)		6PCS

Z-B2 (BOX 2) - HARDWARE PACK IS LOCATED IN 203500KE (B2)

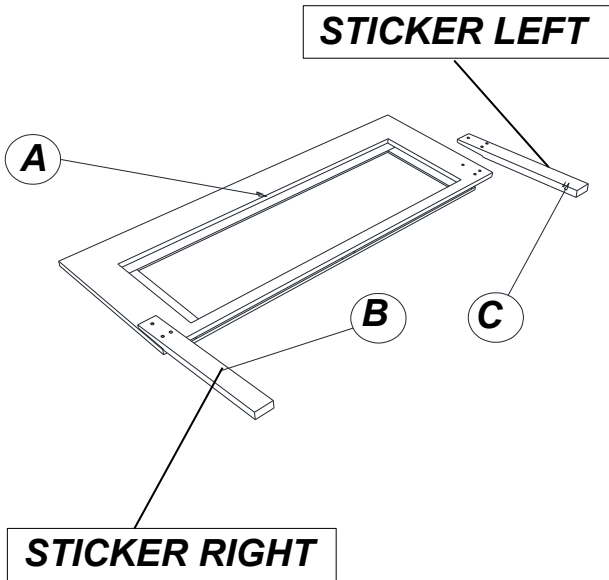
5	SHORT FLAT HEAD SCREW (M4x32mm - RBW)		8PCS	8	SMALL ALLEN WRENCH (M4x60MM - BLK)		1PC
6	LONG FLAT HEAD SCREW (M4x50mm - RBW)		6PCS	9	BIG ALLEN WRENCH (M5x65MM - BLK)		1PC
7	BOLT (M6 x40mm - BLK)		8PCS				

NOTE:

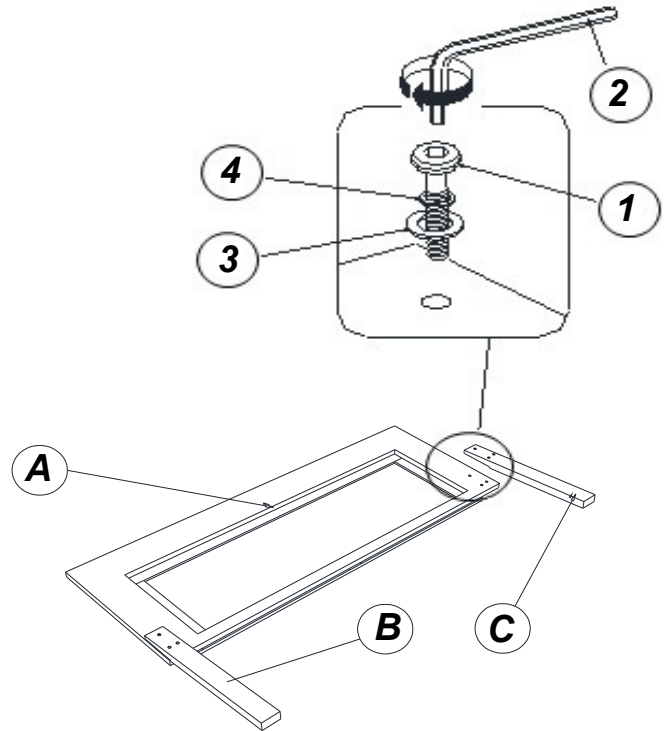
Phillipshead screw driver is required in the assembly process; however, manufacturer does not provide this item.

ASSEMBLY INSTRUCTIONS

STEP 1

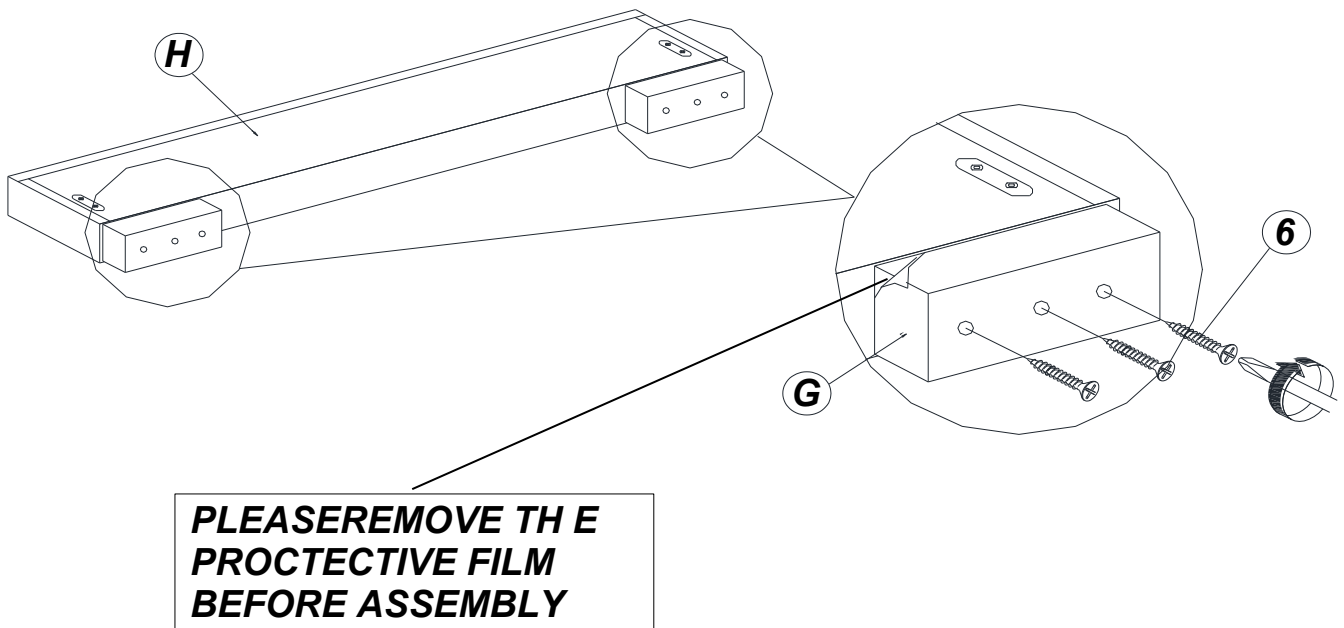


STEP 2



IF PURCHASE HEADBOARD ONLY, SKIP BELOW STEPS

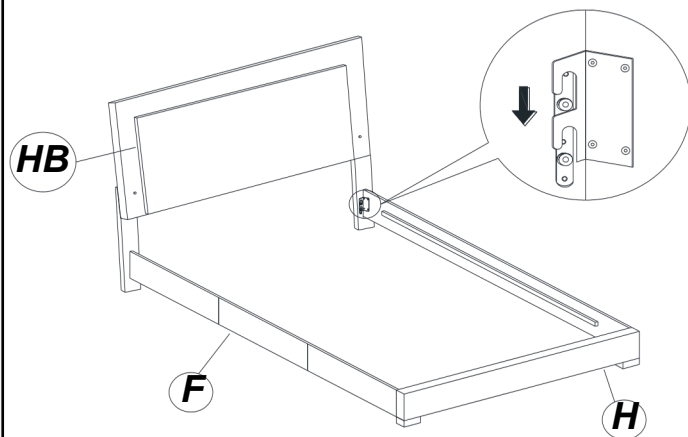
STEP 3



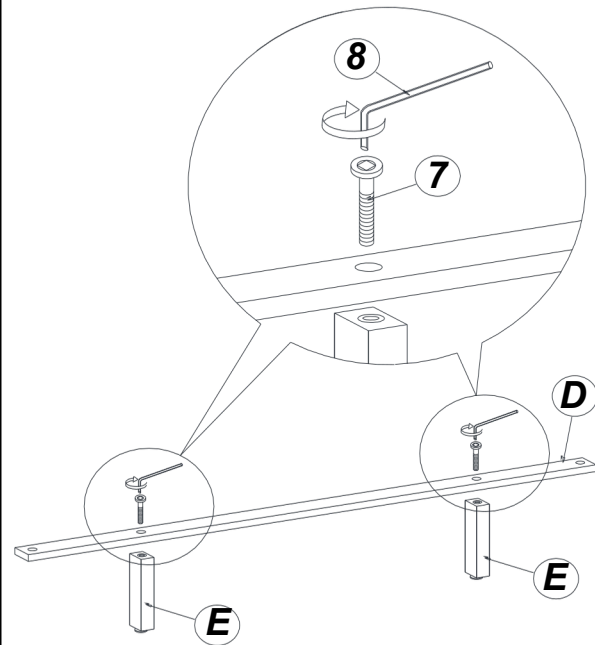
IT EM:203500KE (B1&B2)

ASSEMBLY INSTRUCTIONS

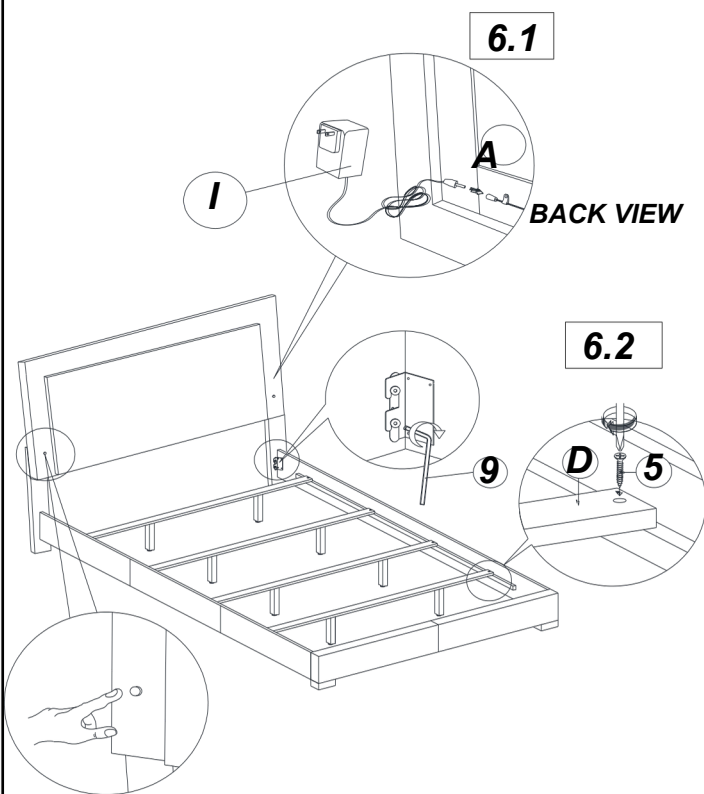
STEP 4



STEP 5

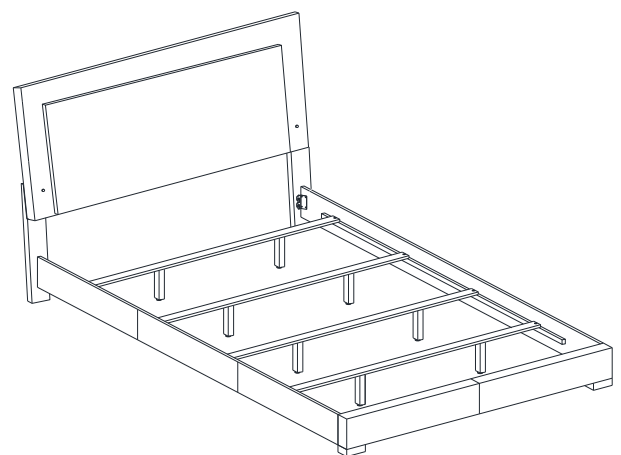


STEP 6



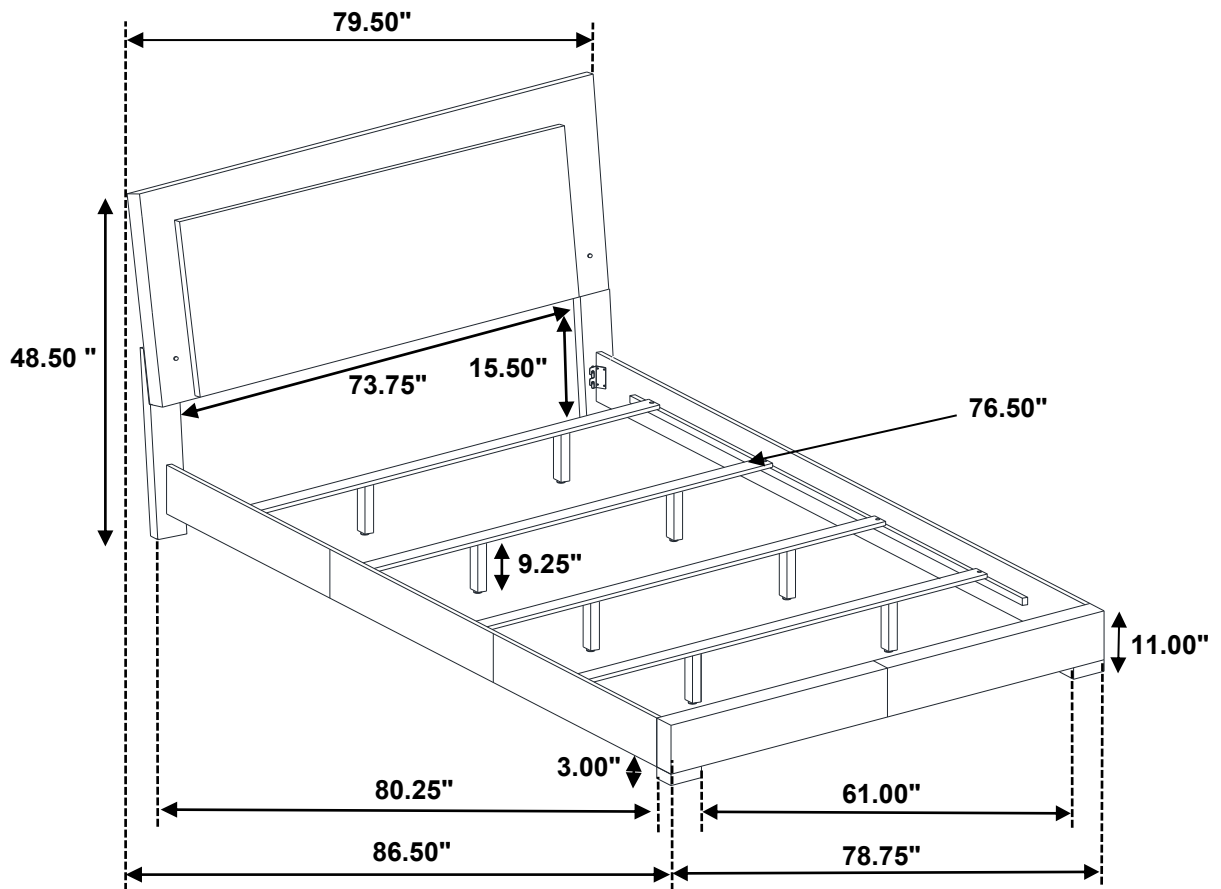
ON & OFF TOUCH SWITCH BUTTON

STEP 7 **COMPLETE**



ITEM

InnerSize: 76.75"W X 81.00"D



Note: Dimension tolerance $\pm 5\%$

ASSEMBLY INSTRUCTIONS COASTER FINE FURNITURE



Fine Furniture for every stage of life

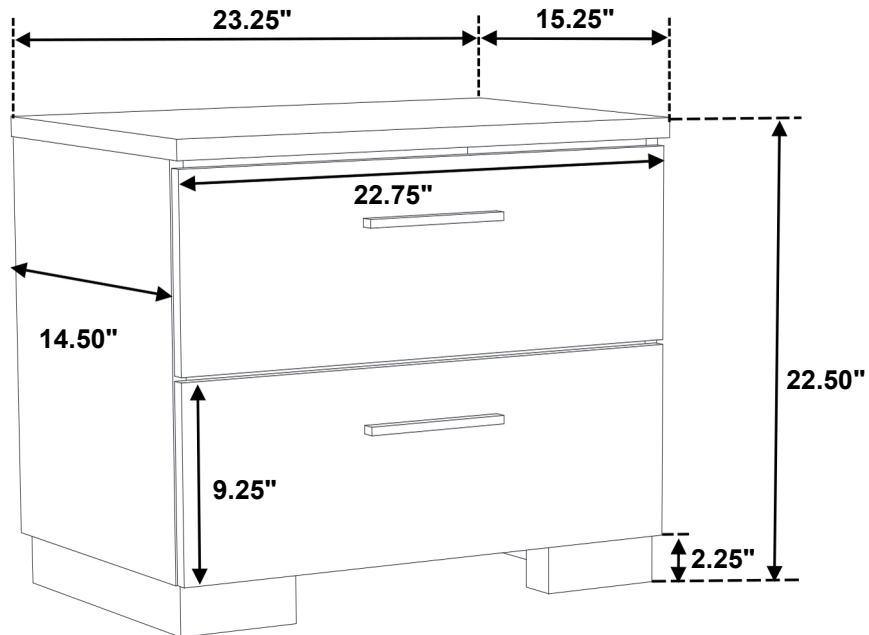
Nightstand

ASSEMBLY INSTRUCTIONS

REMOVAL OF PROTECTIVE FILM



Inner Size of Drawer : 20.00"W x 12.50"D x 5.00"H x 0.25"T



Note: Dimension tolerance $\pm 5\%$

ASSEMBLY INSTRUCTIONS COASTER FINE FURNITURE

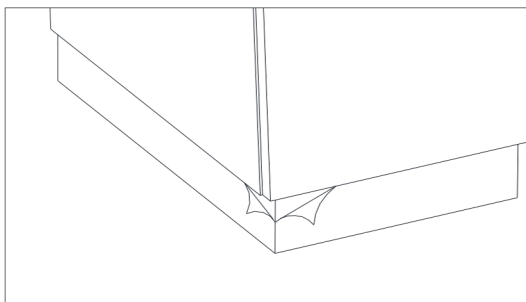


Fine Furniture for every stage of life

203503
Dresser

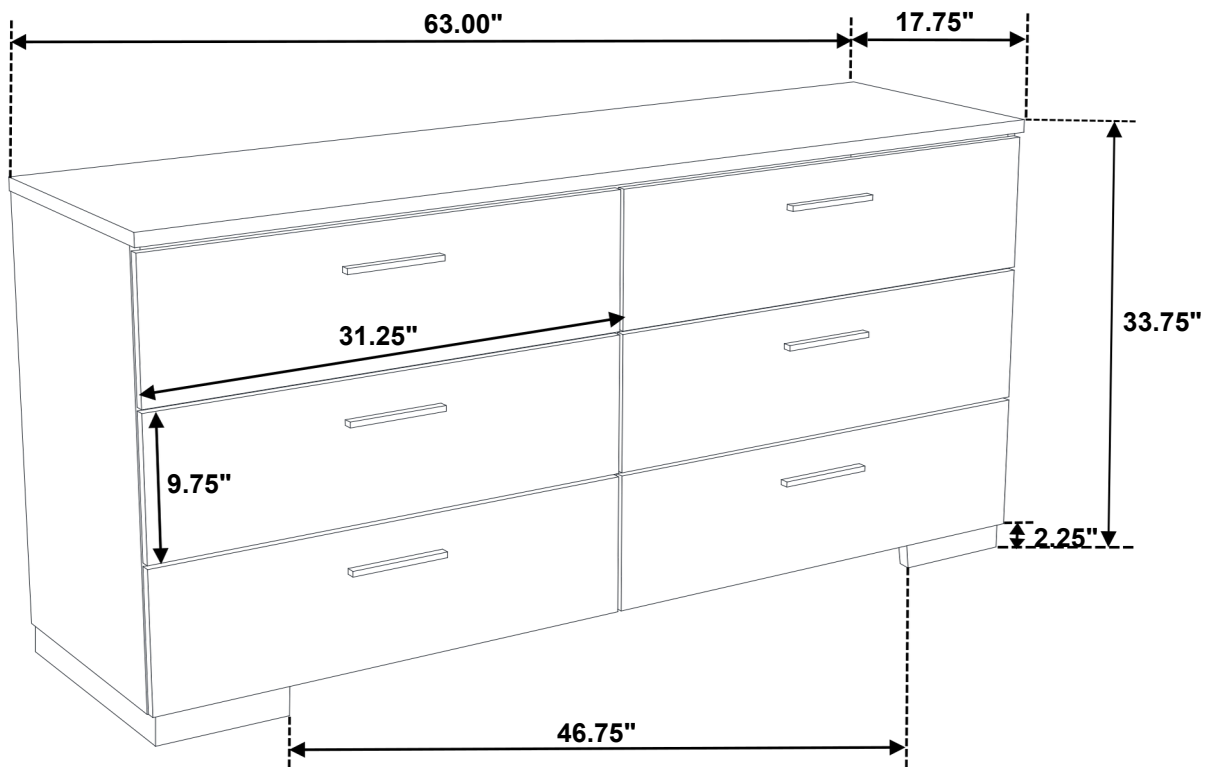
ASSEMBLY INSTRUCTIONS

REMOVAL OF PROTECTIVE FILM



PLEASE REMOVE THE
PROTECTIVE FILM
BEFORE USE

Inner Size of Drawer : 28.75"W x 12.50"D x 5.00"H x 0.25"T



Note: Dimension tolerance $\pm 5\%$

ASSEMBLY INSTRUCTIONS COASTER FINE FURNITURE



Fine Furniture for every stage of life

Mirror

ASSEMBLY INSTRUCTIONS

ASSEMBLY TIPS:

1. Remove hardware from box and sort by size.
2. Please check to see that all hardware and parts are present prior to start of assembly.
3. Please follow attached instructions in the same sequence as numbered to assure fast & easy assembly.



WARNING!

1. Don't attempt to repair or modify parts that are broken or defective. Please contact the store immediately.
2. This product is for home use only and not intended for commercial establishments.



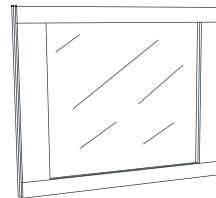
ASSEMBLY TIME

5 MINUTES

PARTS IDENTIFICATION

A

MIRROR



1PC

B

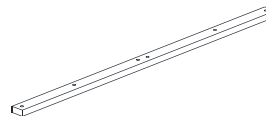
DRESSER
FROM BOX ITEM # 203503



1PC

C

MIRROR SUPPORT
(PACK WITH DRESSER)



2PCS

HARDWARE IDENTIFICATION

1

FLAT HEAD SCREW
(M4x32mm - RBW)



10PCS

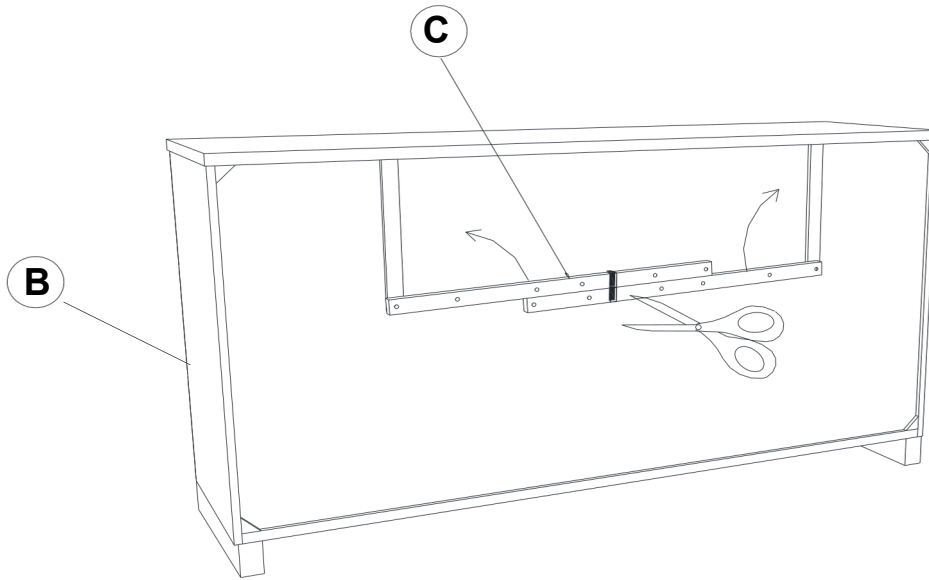
NOTE:

Phillipshead screw driver is required in the assembly process; however, manufacturer does not provide this item.

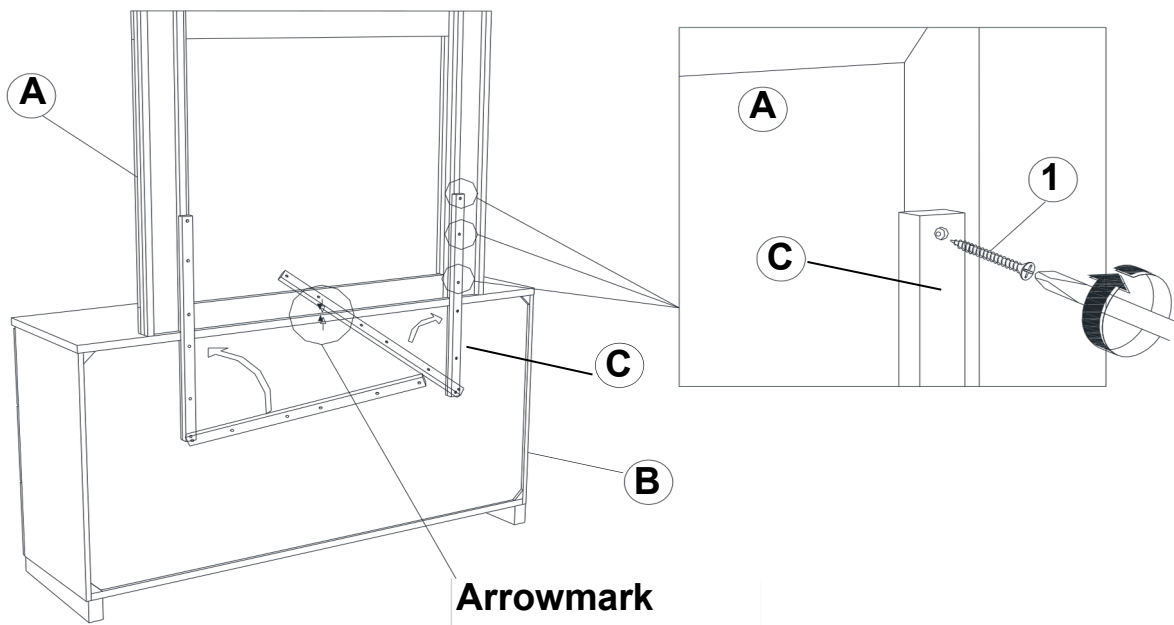
IT E1

ASSEMBLY INSTRUCTIONS

STEP 1



STEP 2

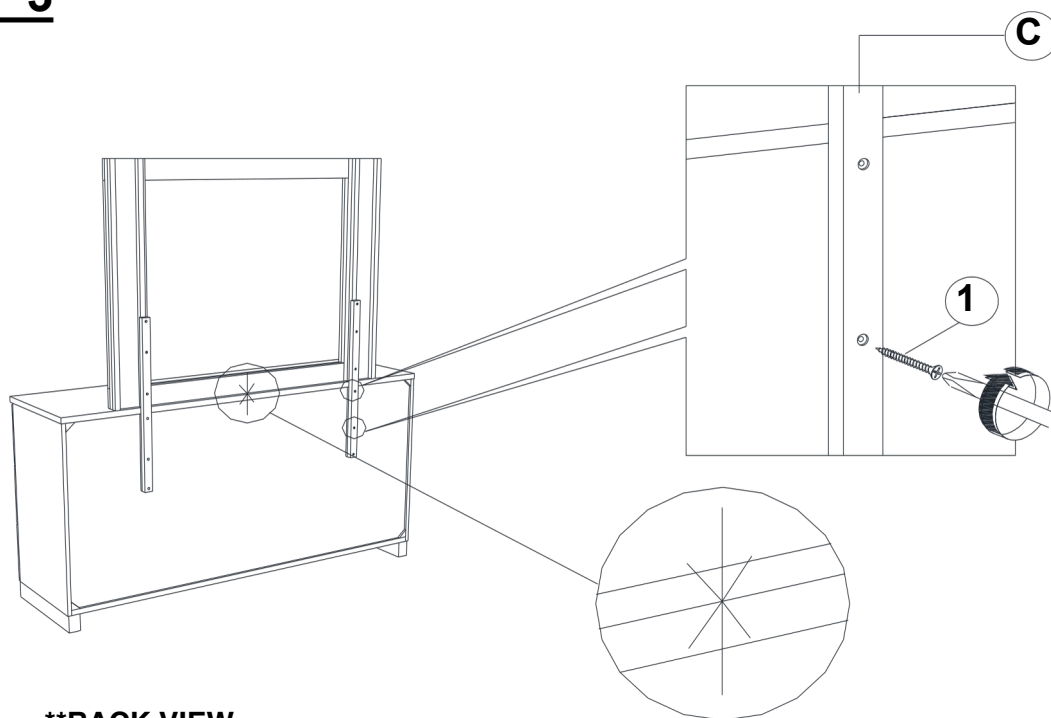


**Arrowmark
must be in line**

****BACK VIEW**

ITEM ASSEMBLY INSTRUCTIONS

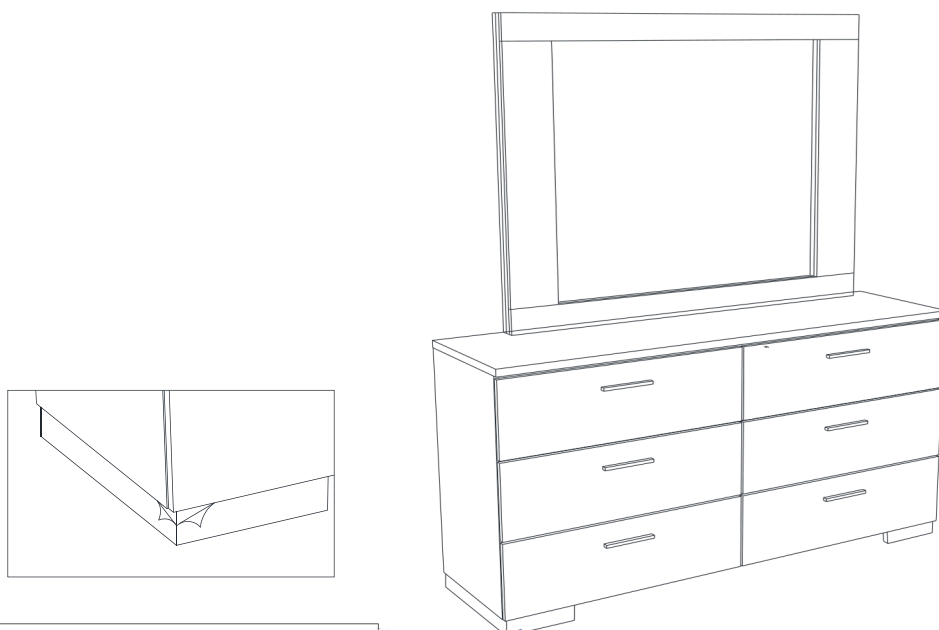
STEP 3



****BACK VIEW**

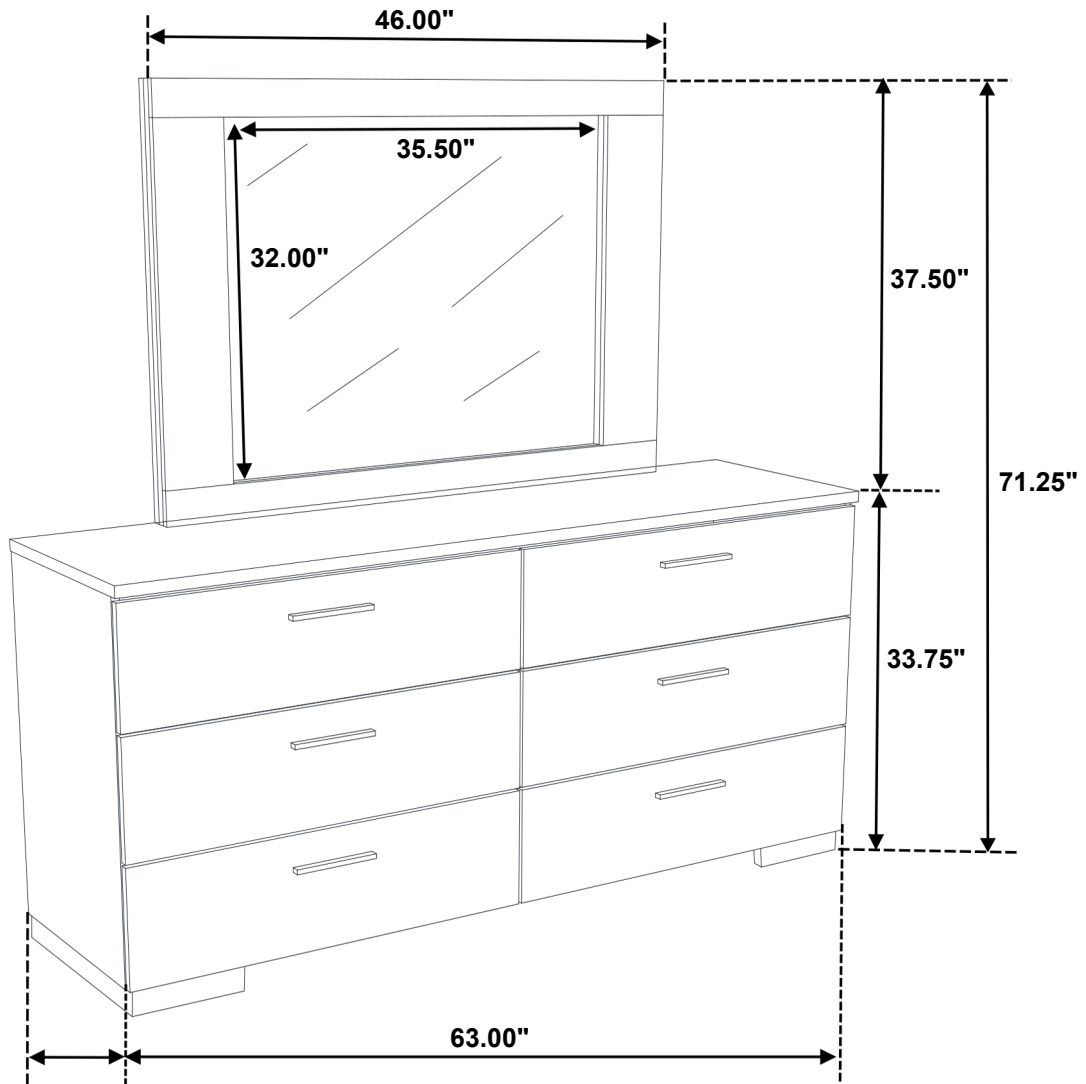
Arrow Marking Must Be Aligned

STEP 4 **COMPLETE**



**PLEASE REMOVE THE
PROTECTIVE FILM
BEFORE USE**

IT EM



Note: Dimension tolerance $\pm 5\%$