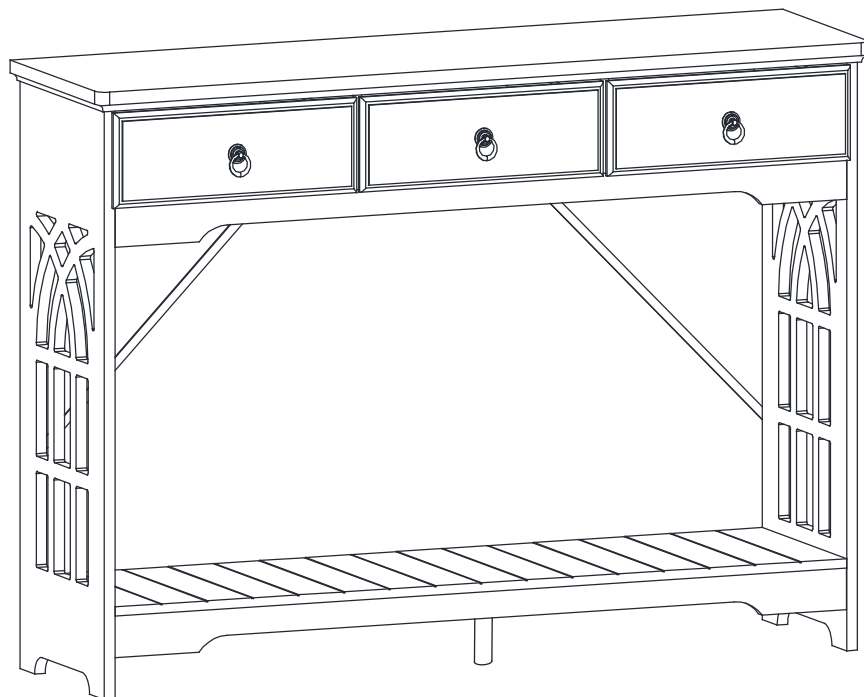


## Console

---



Please make sure to read the instruction manual carefully before installing the product.

---

### Do Not Return This Product!

Contact our customer service team  
for help first.



## WARNING

- Unit can tip over causing severe injury or death.
- Anchor unit to stud in wall ( if instructed to )
- Do Not allow children to climb on unit.
- put heavy items on lower shelves or drawers.

**PEOPLE NEEDED  
FOR ASSEMBLY:2**

## Do NOT return this product!

Contact our friendly customer service team first for help.

---

-Open your item in the area you plan to keep it to avoid excessive heavy lifting.



-Identify, sort and count the parts before attempting assembly.

-Back panel must be used to make sure your unit is sturdy.



-Do NOT use harsh chemicals or abrasive cleaners on this item.

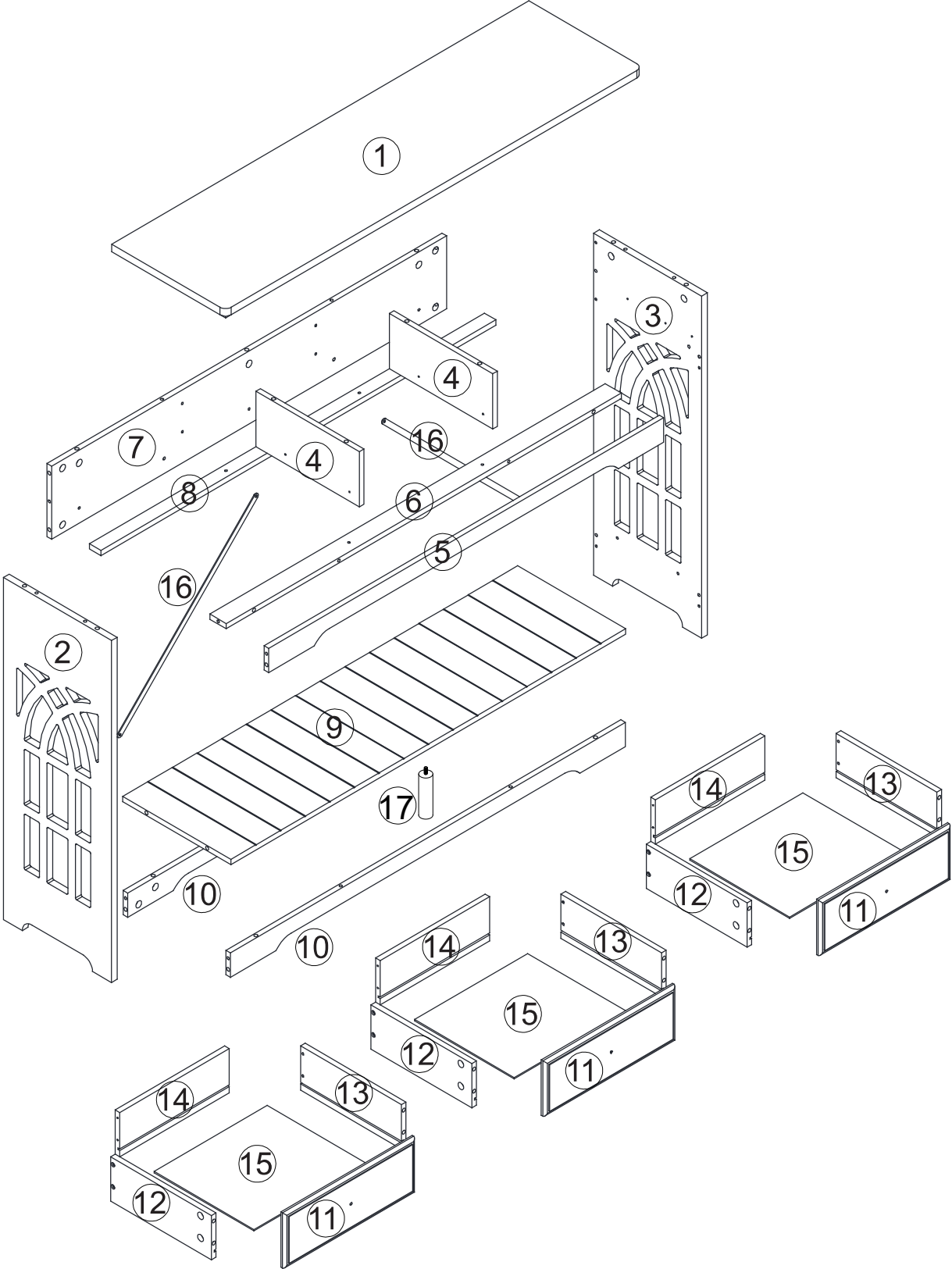
-Never push,pull,or drag your furniture.



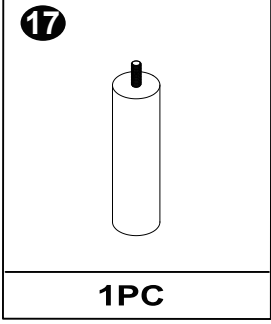
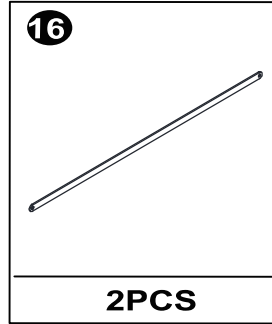
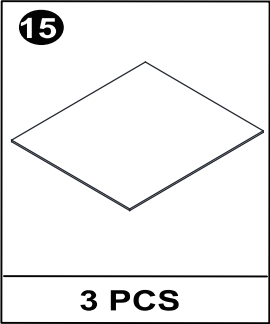
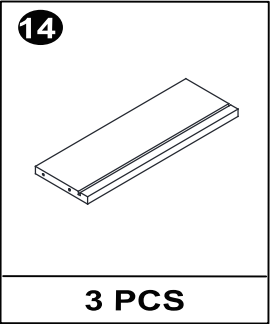
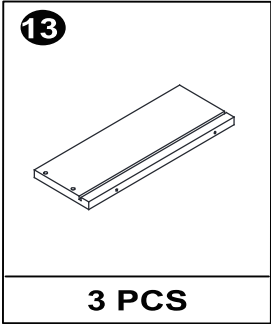
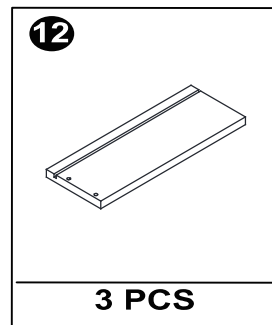
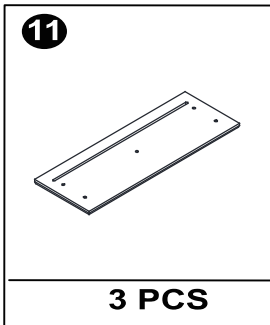
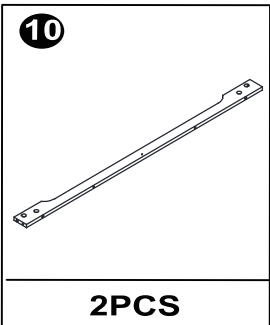
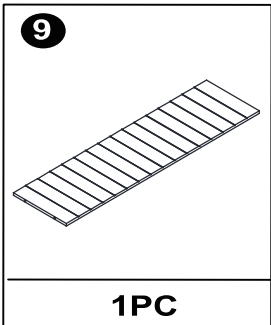
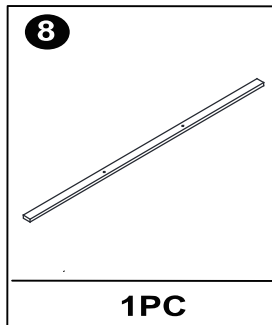
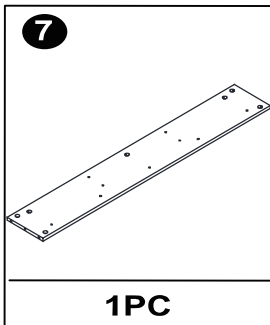
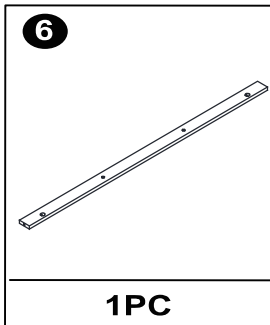
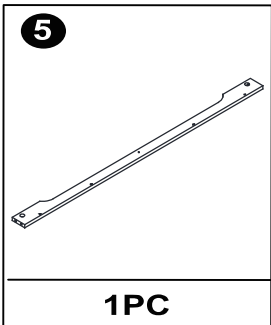
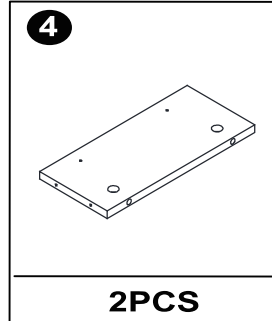
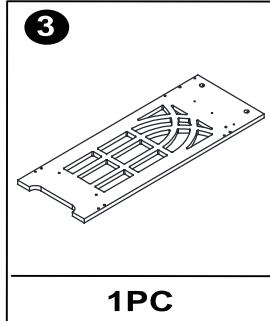
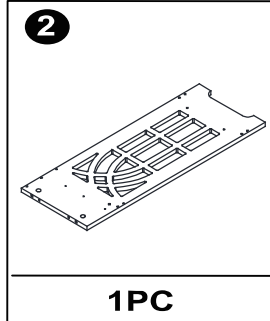
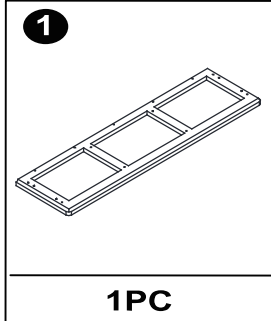
## BEFORE YOU START

- Read through each step carefully and follow the proper order
  - Separate and count all your parts and hardware
  - Give yourself enough room for the assembly process
  - Have the following tools:Flat Head Screwdriver,#2 Phillips Head Screwdriver and Hammer
  - Caution: IF using a power drill or power screwdriver for screwing,please be aware to slow down and stop when screw is tight.Failure to do so may result in stripping the screw.
-

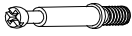
# BOARD IDENTIFICATION





# BOARD IDENTIFICATION





# THE HARDWARES


<b>A</b> M5x35mm

Cam Bolt
43 PCS

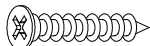
<b>B</b> Ø15×10mm

Cam Lock
43 PCS

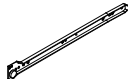
<b>C</b>

Metal Handle
3PCS

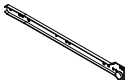
<b>D</b> Ø6x30 mm

Wood Dowel
24 PCS

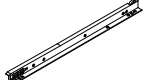
<b>E</b> Ø4x16mm

Bolt
3 PCS

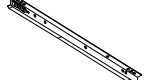
<b>F</b> Ø3x12mm

Screw
32 PCS


<b>G</b> Ø4x35mm

Screw
25PCS


<b>CL</b>

Drawer Slide Kit
3 PCS

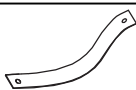
<b>CR</b>

Drawer Slide Kit
3 PCS


<b>DL</b>

Drawer Slide Kit
3 PCS

<b>DR</b>

Drawer Slide Kit
3 PCS

<b>L</b> Ø4×12mm

Screw
6 PCS

<b>M</b>

Washer
3 PCS

<b>N</b>

Wall Anchor
2 PCS

<b>O</b>

Wall Anchor
2 PCS

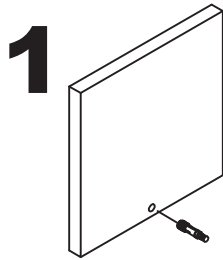
**IMPORTANT :**



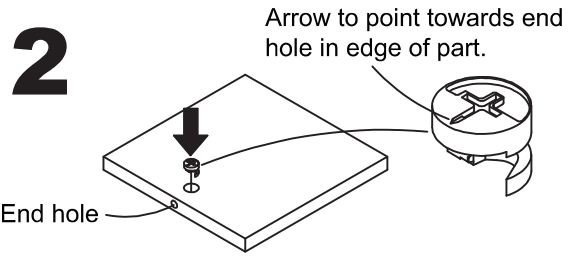
1. Do not tighten bolts / screws completely until all bolts/screws are lined up and inserted into holes.
2. Do not over tighten screws and bolts to avoid stripping.
3. Please use hand tools to assemble this product. Do not use power tools.

# CAM LOCK FASTENING SYSTEM

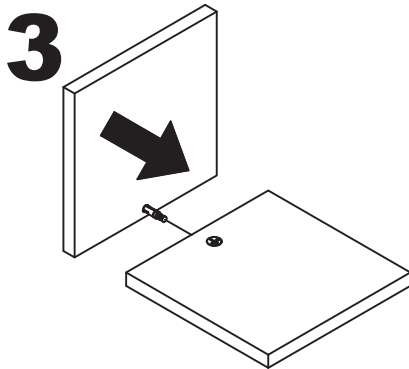
This Cam Lock Fastening System will be used throughout the assembly process.



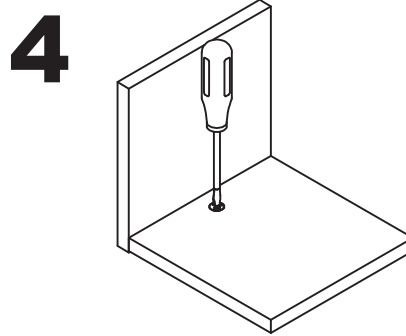
1 Press CAM BOLT into hole.



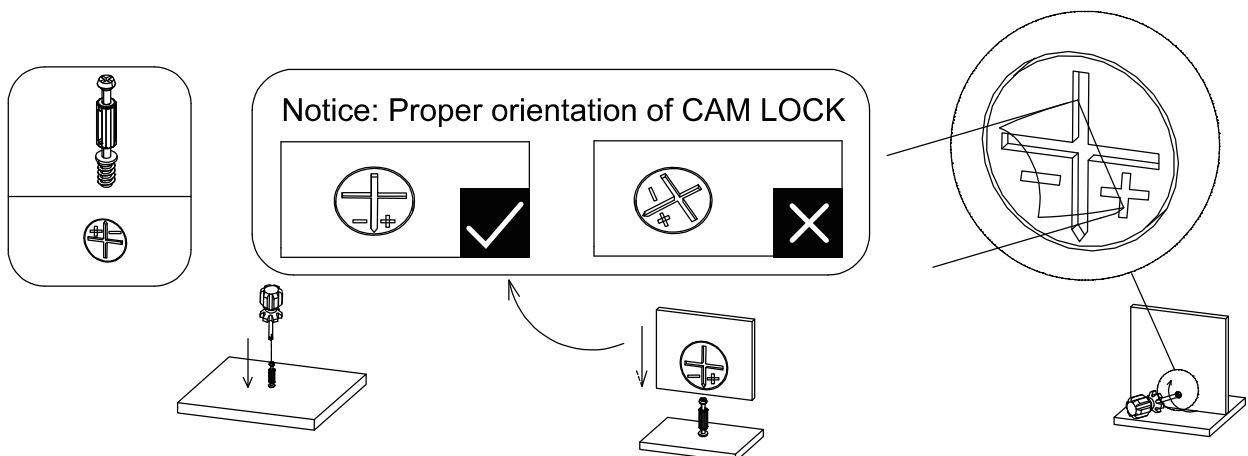
2 Press CAM LOCK into hole.



3 Press parts together so CAM BOLT inserts into edge hole.

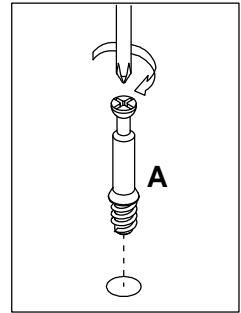
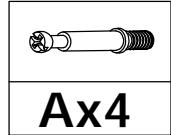
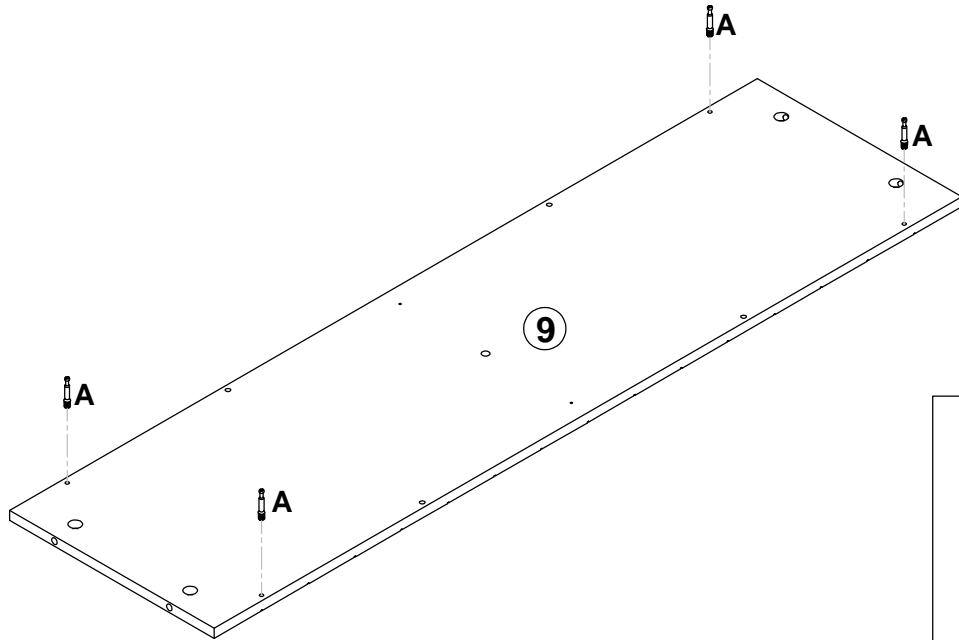


4 Using a screwdriver, turn the CAM LOCK clockwise to lock the CAM LOCK and CAM BOLT into their holes and fastening parts together.

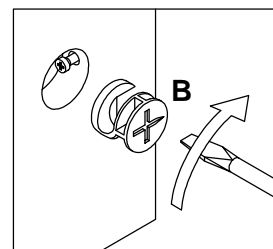
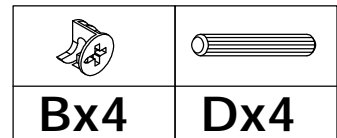
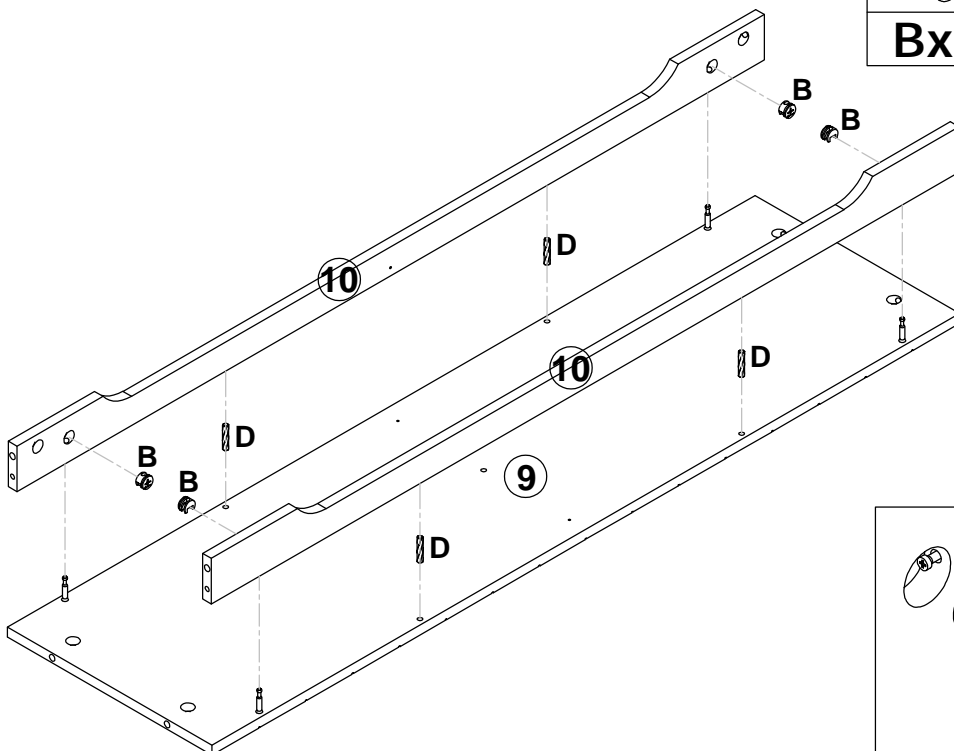


# INSTALLATION STEPS

## STEP 1

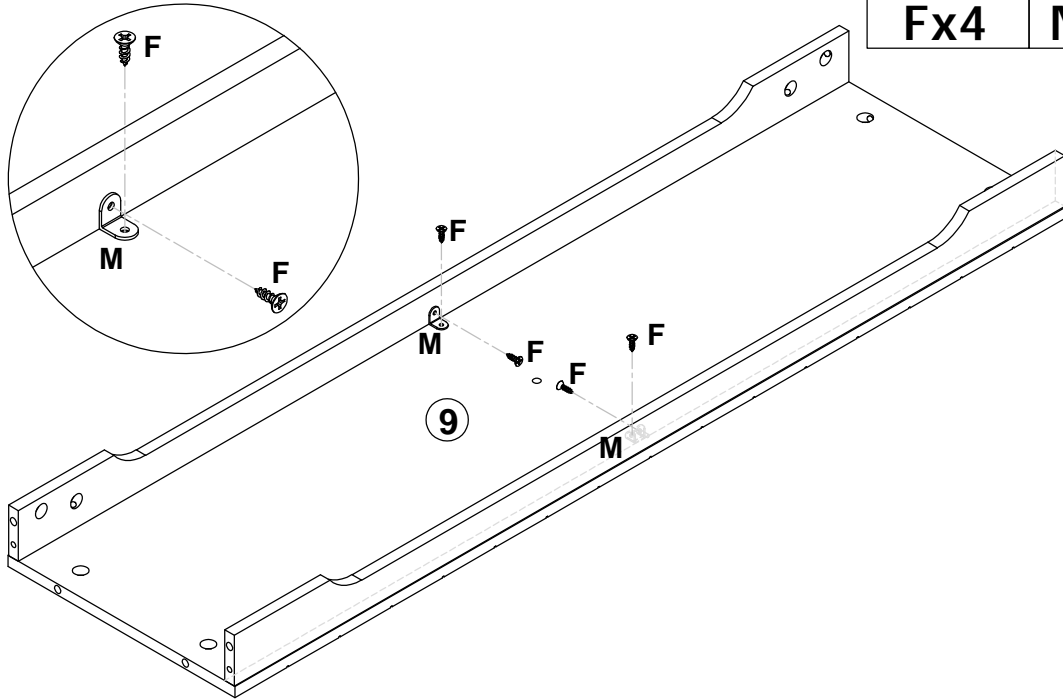



## STEP 2



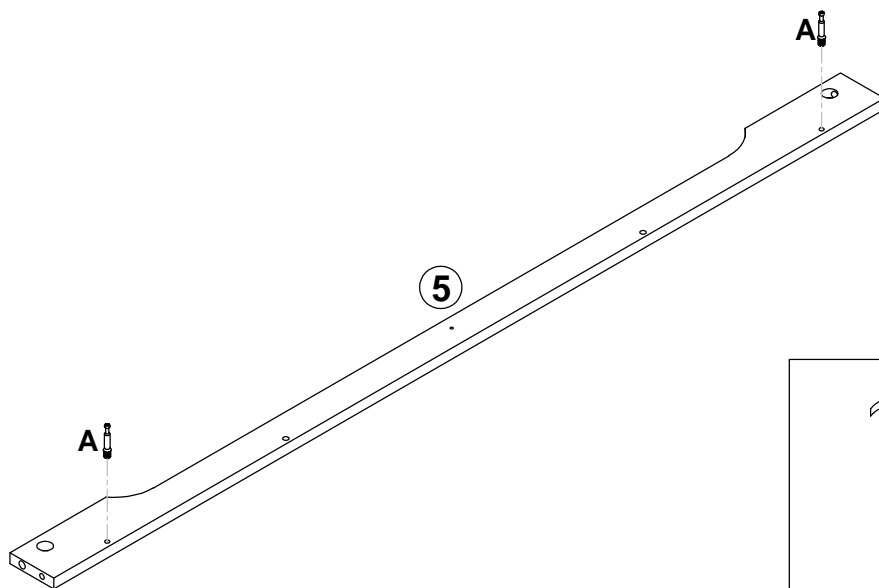
# INSTALLATION STEPS

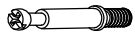
## STEP 3

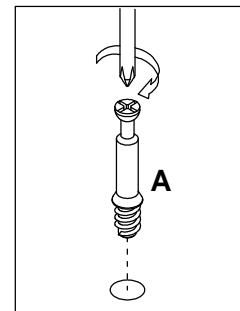


	
<b>Fx4</b>	<b>Mx2</b>

## STEP 4





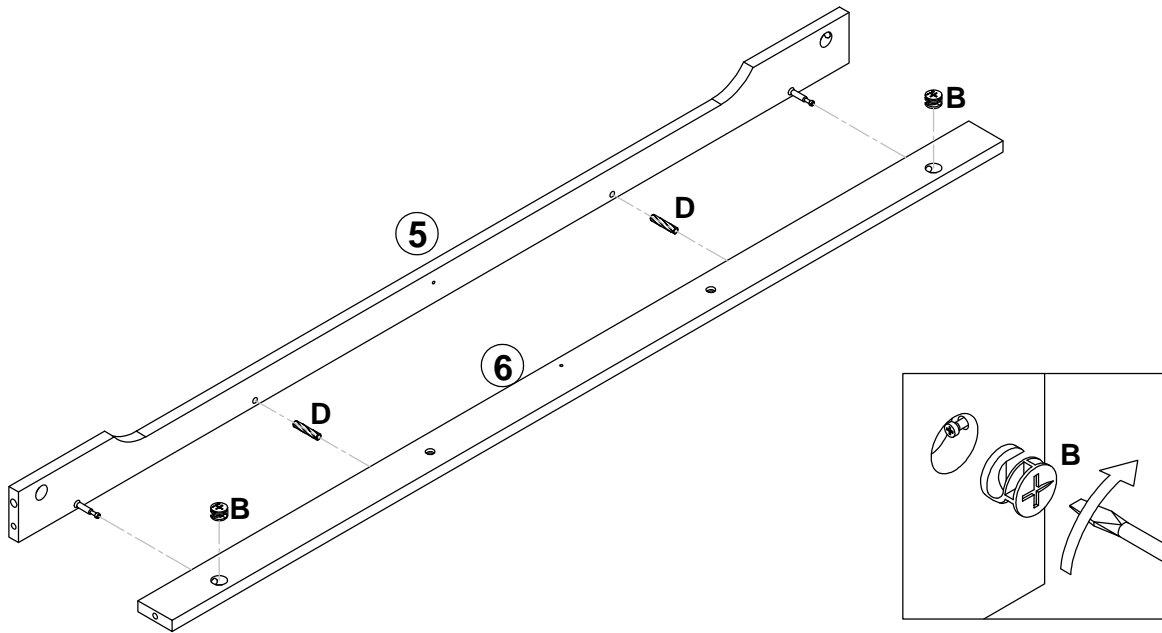

<b>Ax2</b>





# INSTALLATION STEPS

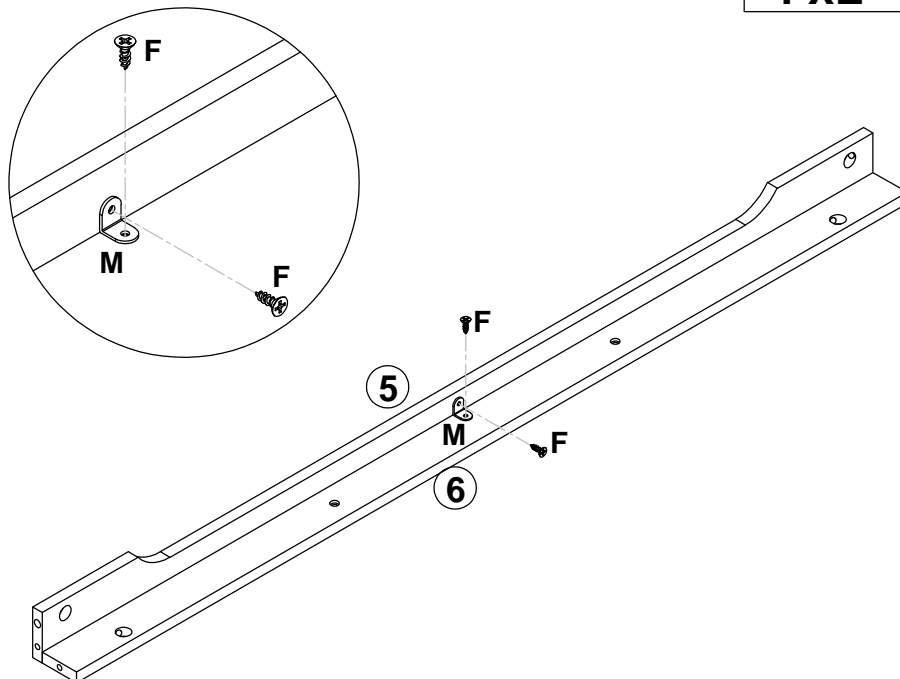
## STEP 5

	
<b>Bx2</b>	<b>Dx2</b>



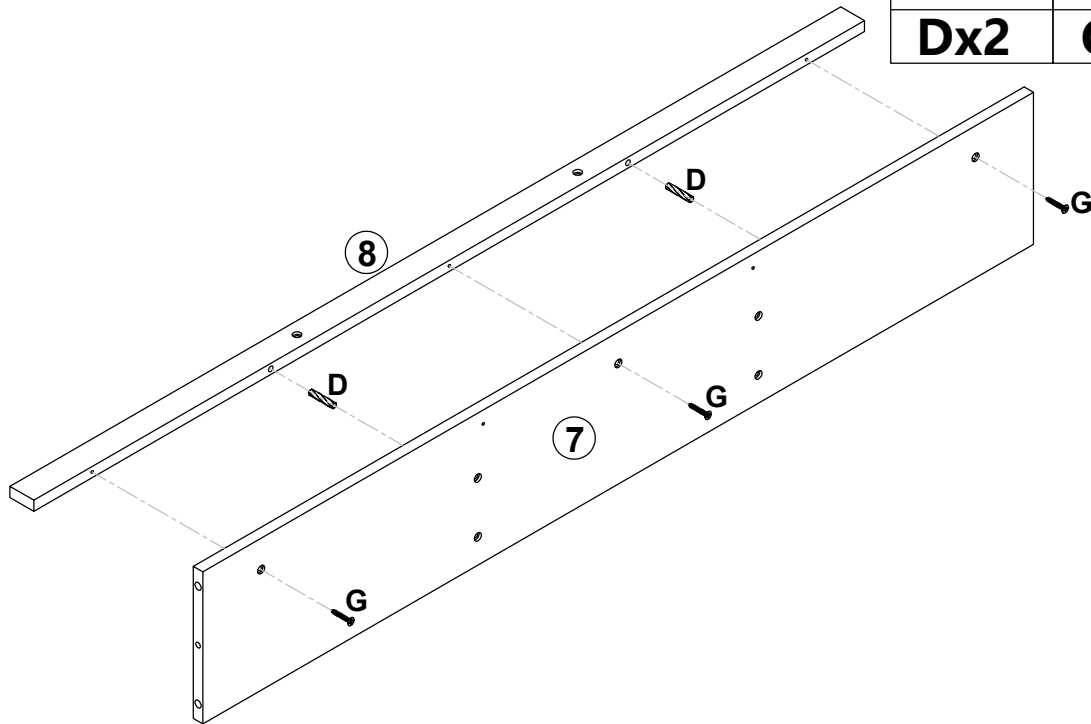
## STEP 6



	
<b>Fx2</b>	<b>Mx1</b>



# INSTALLATION STEPS

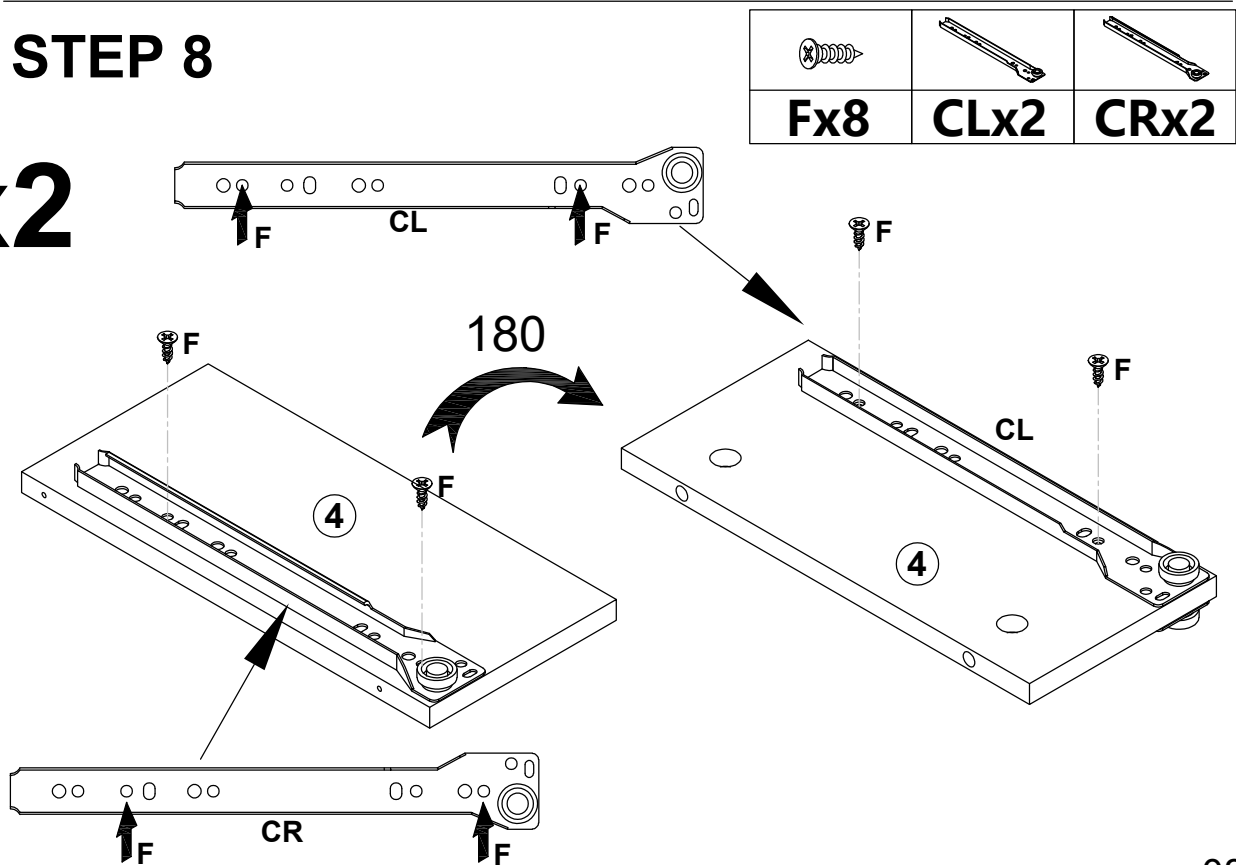
## STEP 7



	
<b>Dx2</b>	<b>Gx3</b>

## STEP 8

**x2**



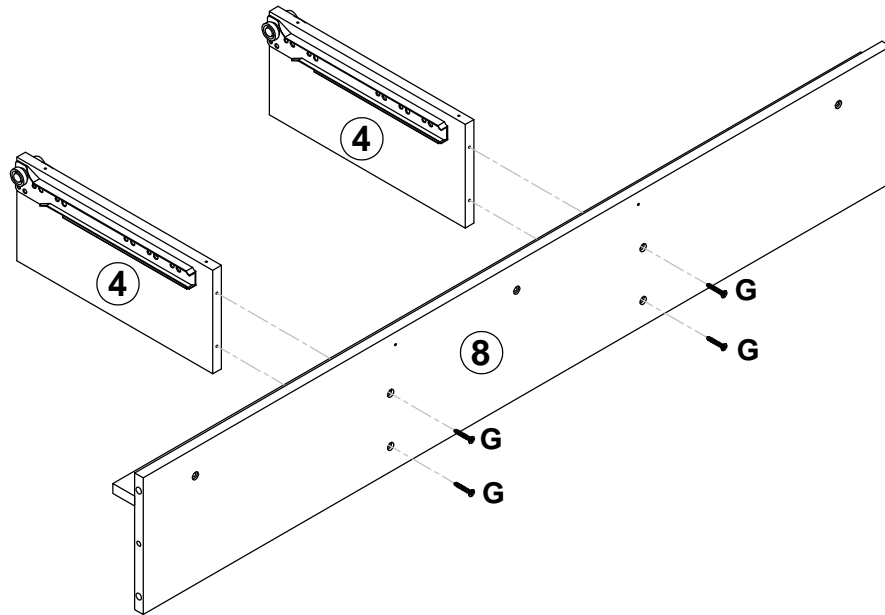
		
<b>Fx8</b>	<b>CLx2</b>	<b>CRx2</b>

# INSTALLATION STEPS

## STEP 9



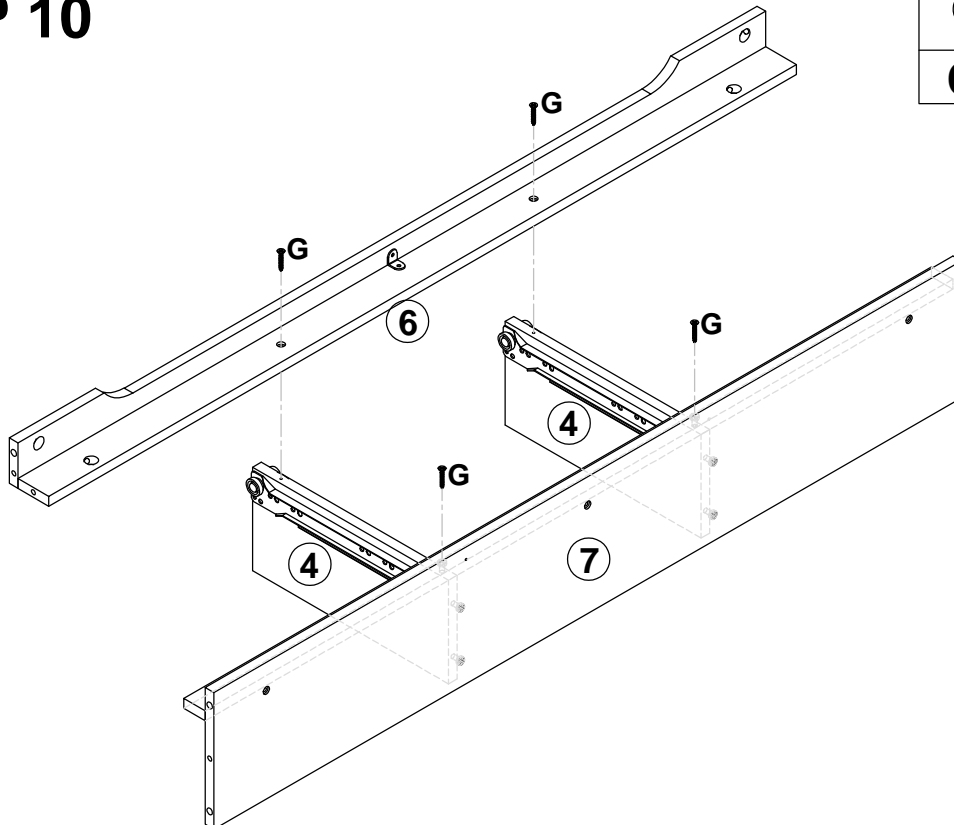
Gx4



## STEP 10

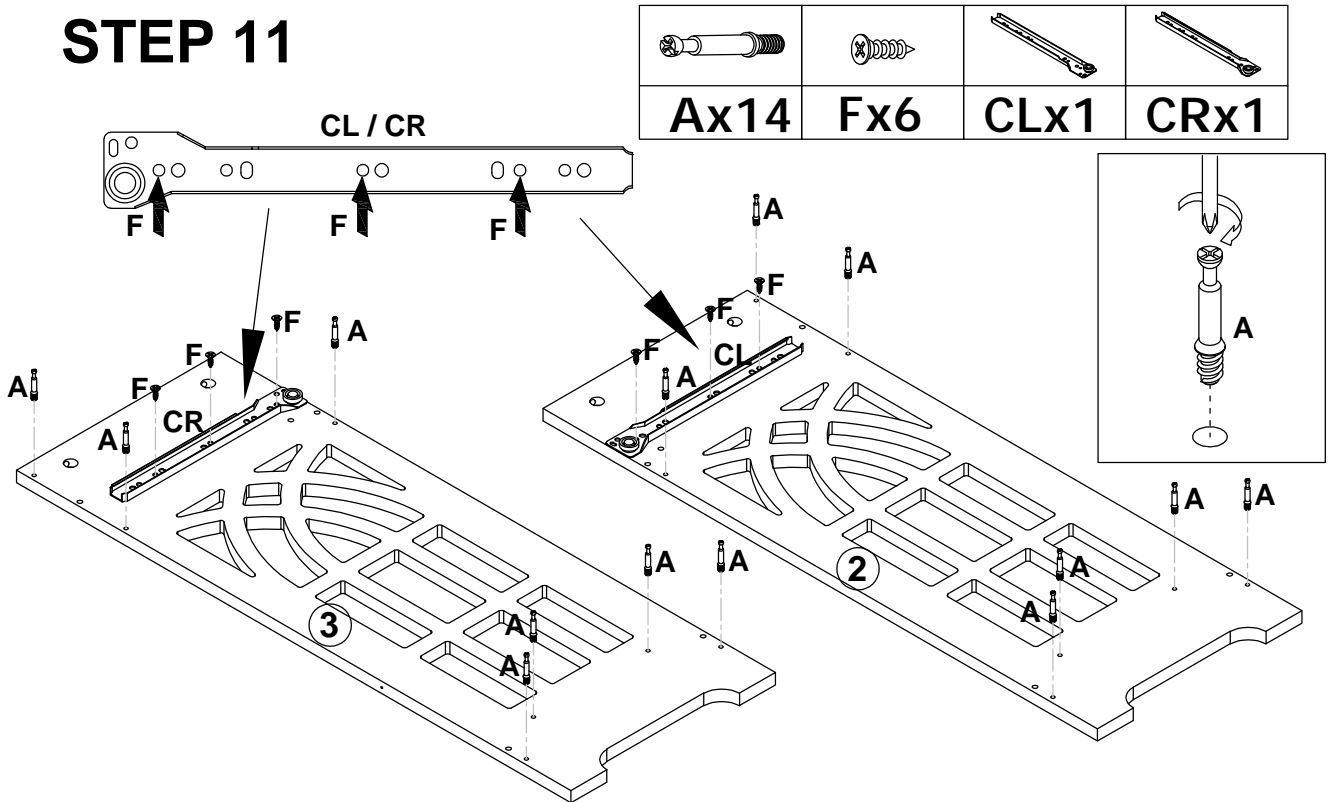


Gx4

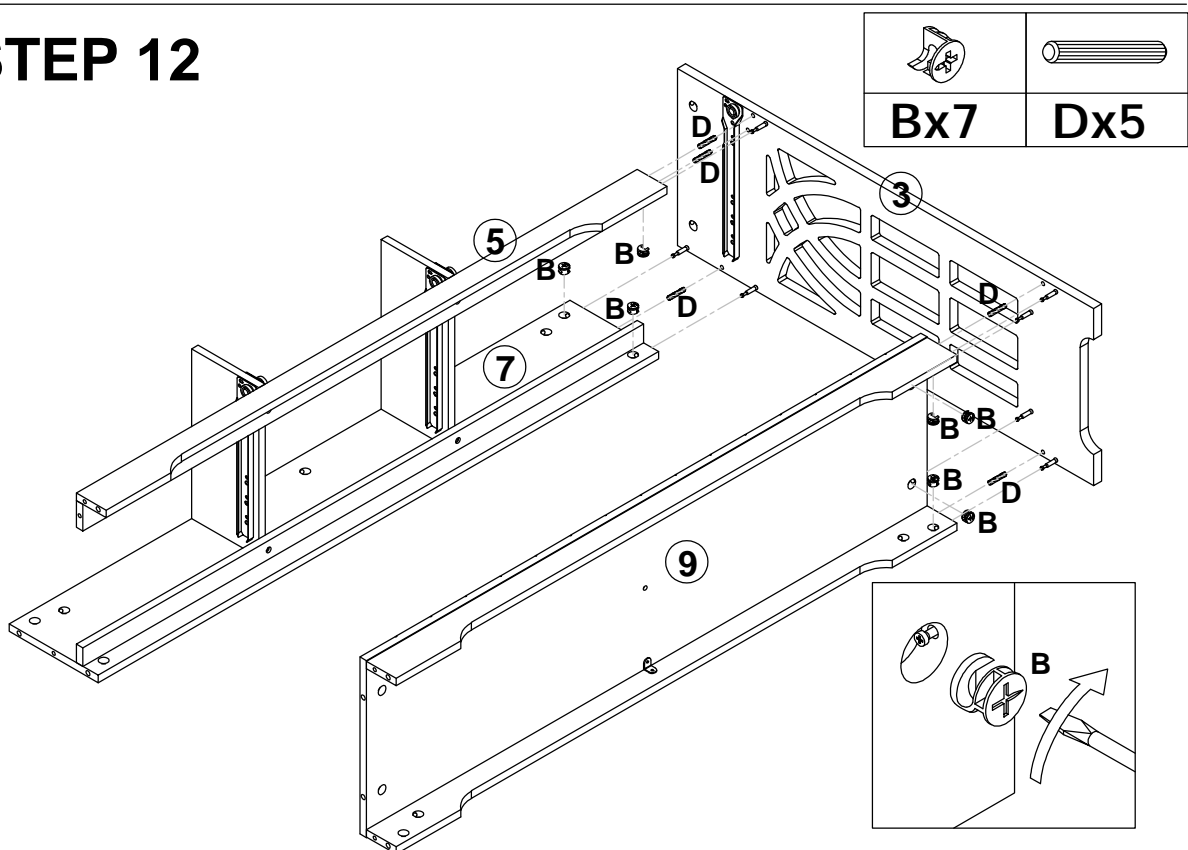


# INSTALLATION STEPS

## STEP 11

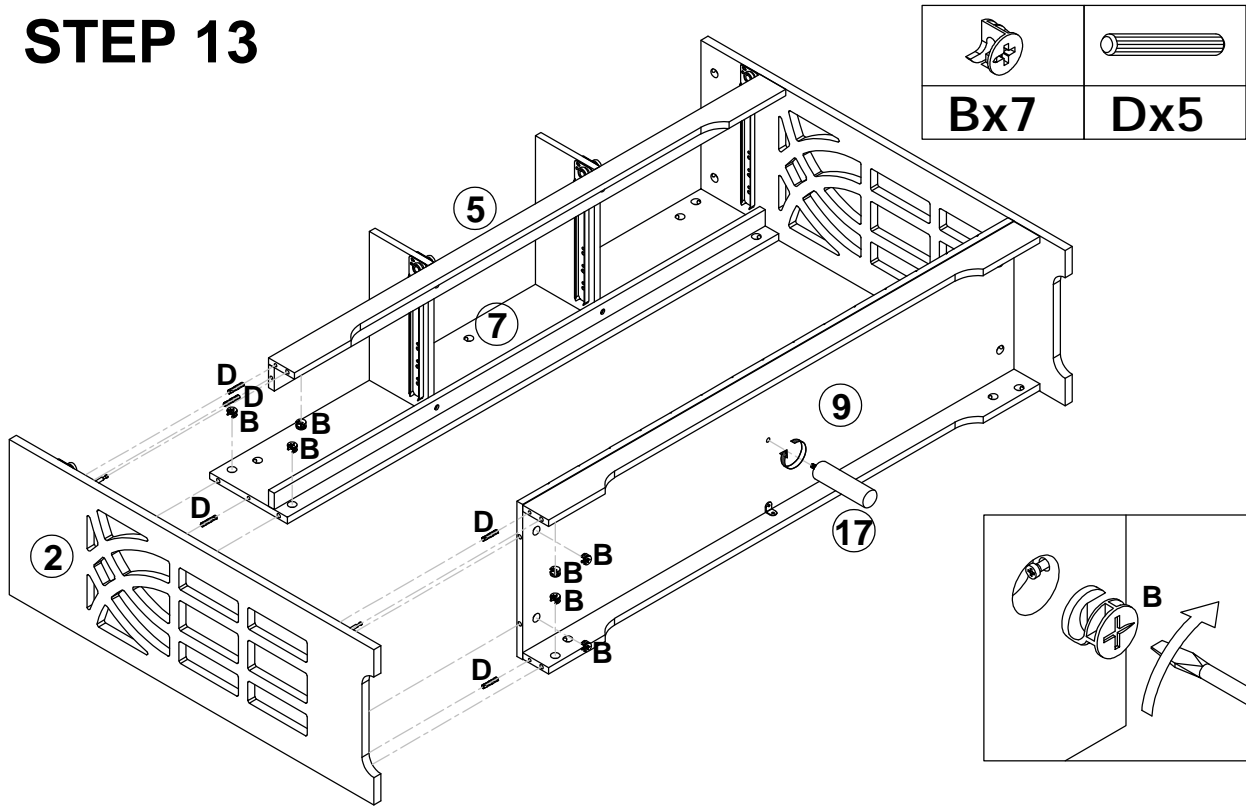


## STEP 12

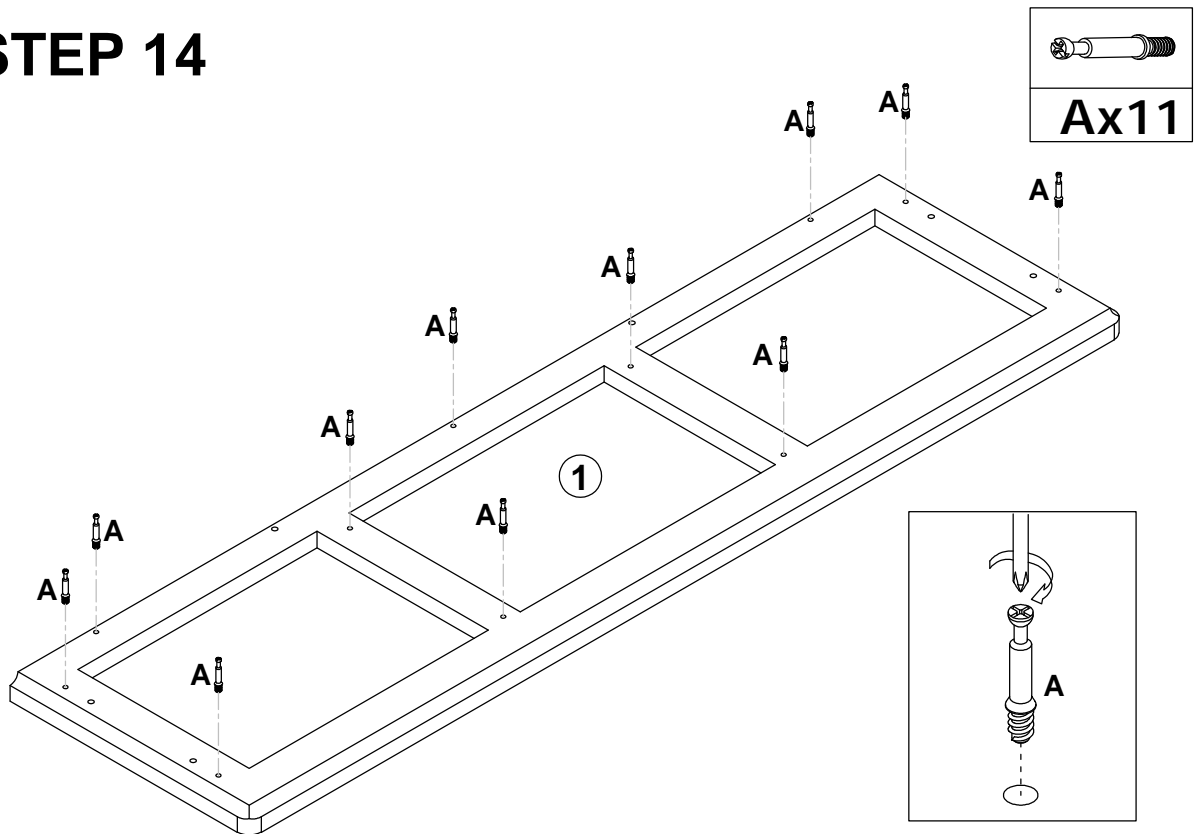


# INSTALLATION STEPS

## STEP 13

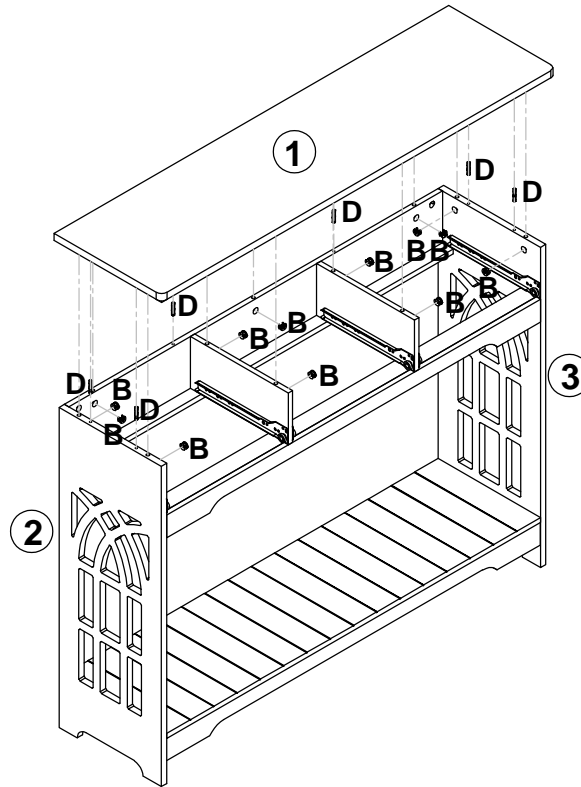




## STEP 14

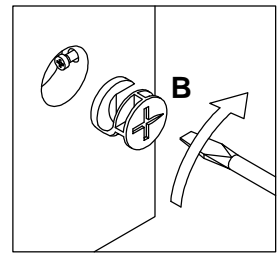


# INSTALLATION STEPS

## STEP 15

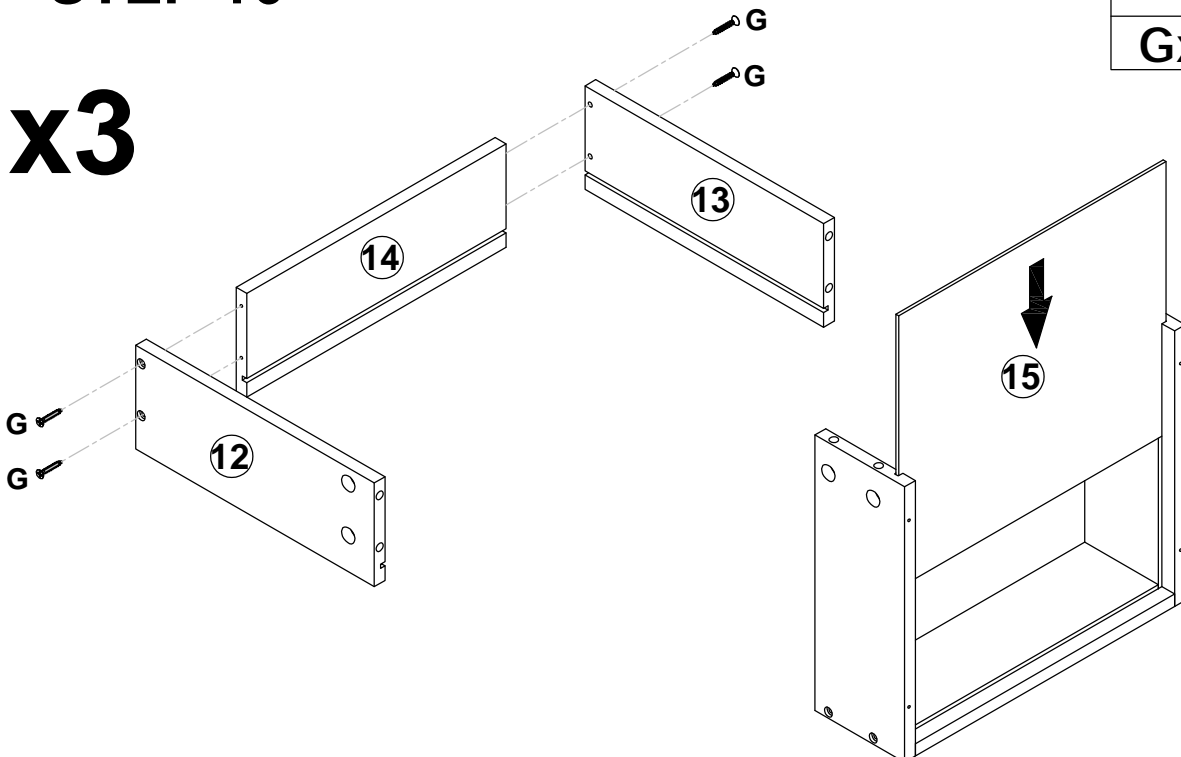



	
<b>Bx11</b>	<b>Dx6</b>



## STEP 16

**x3**

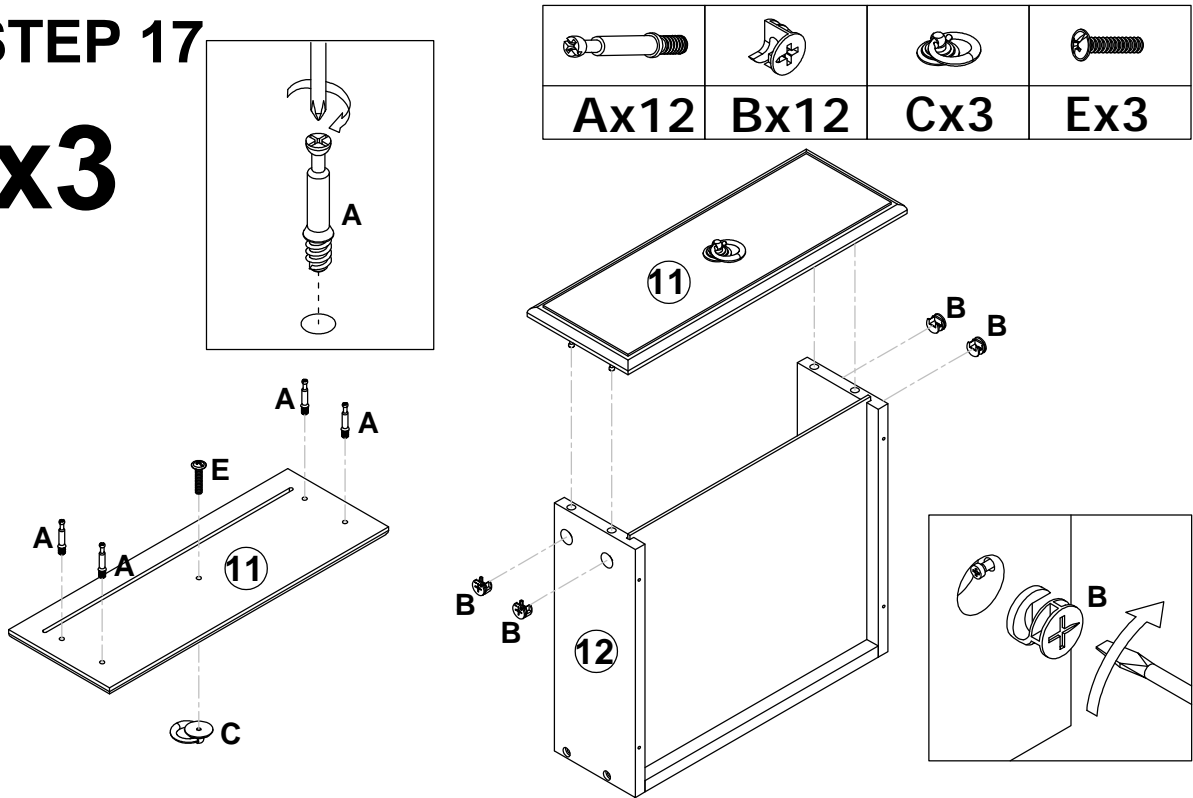



<b>Gx12</b>

# INSTALLATION STEPS

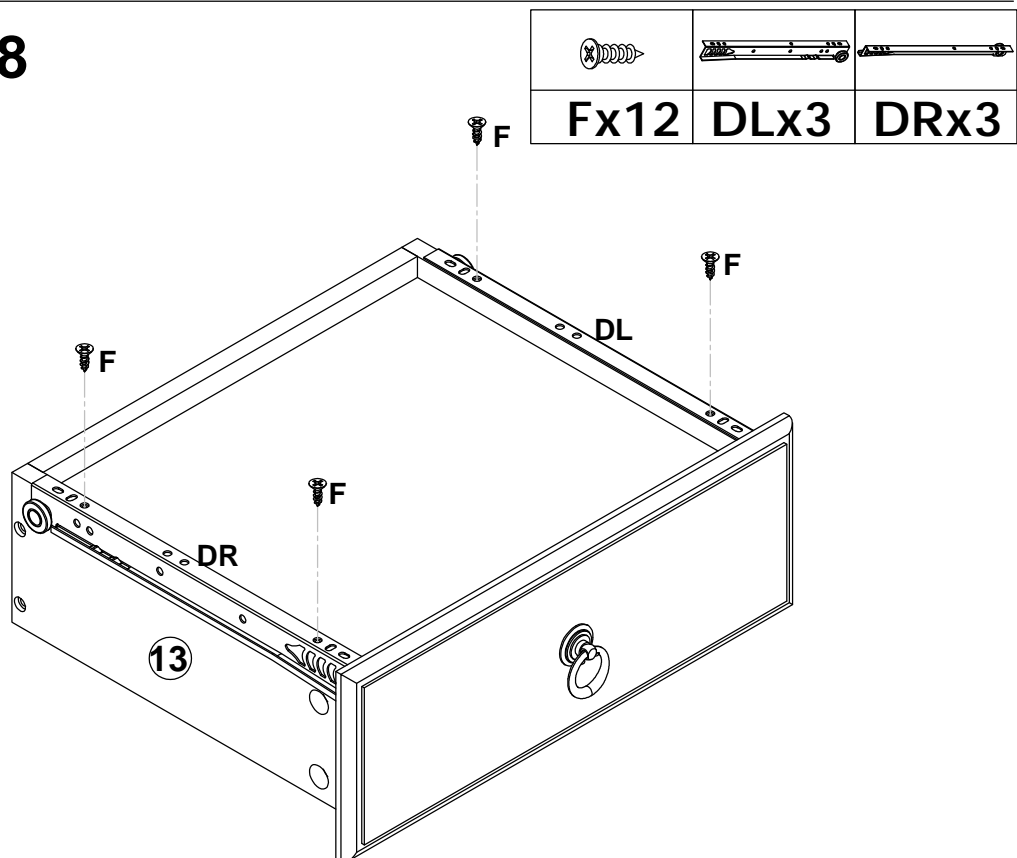
## STEP 17

**x3**



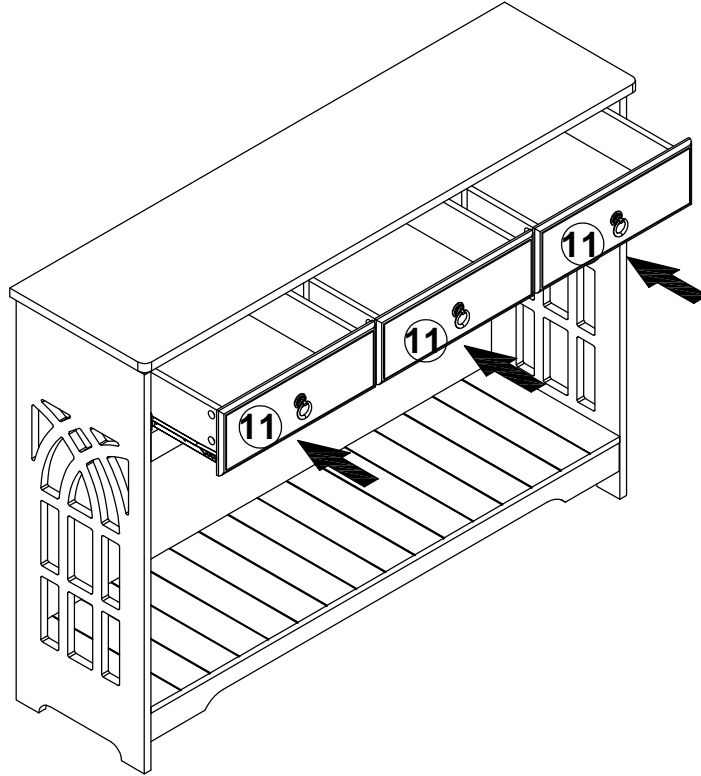
## STEP 18

**x3**

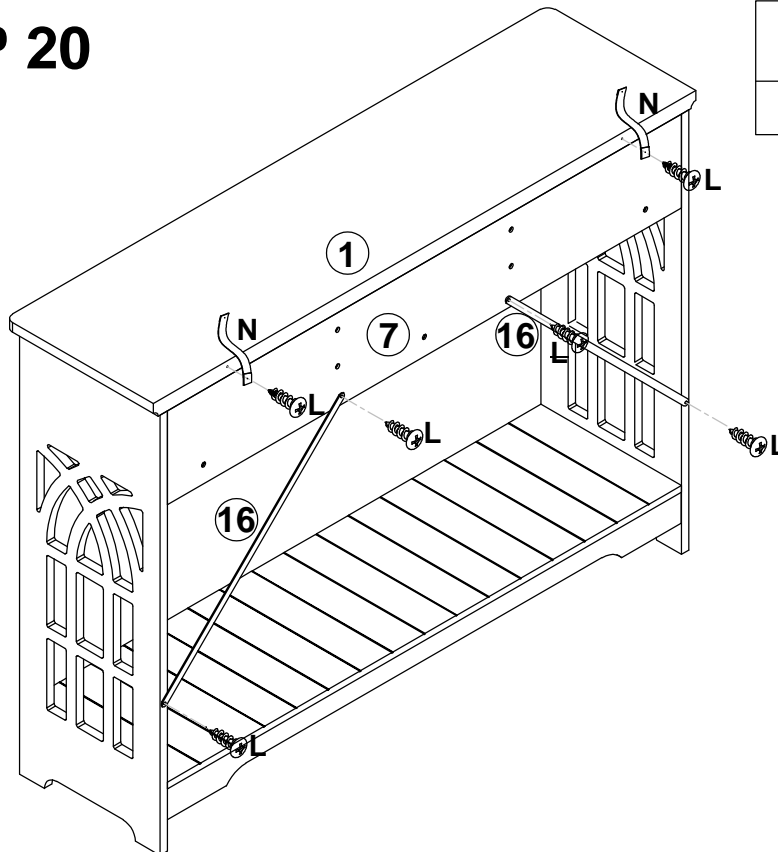




# INSTALLATION STEPS

## STEP 19



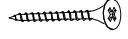

## STEP 20



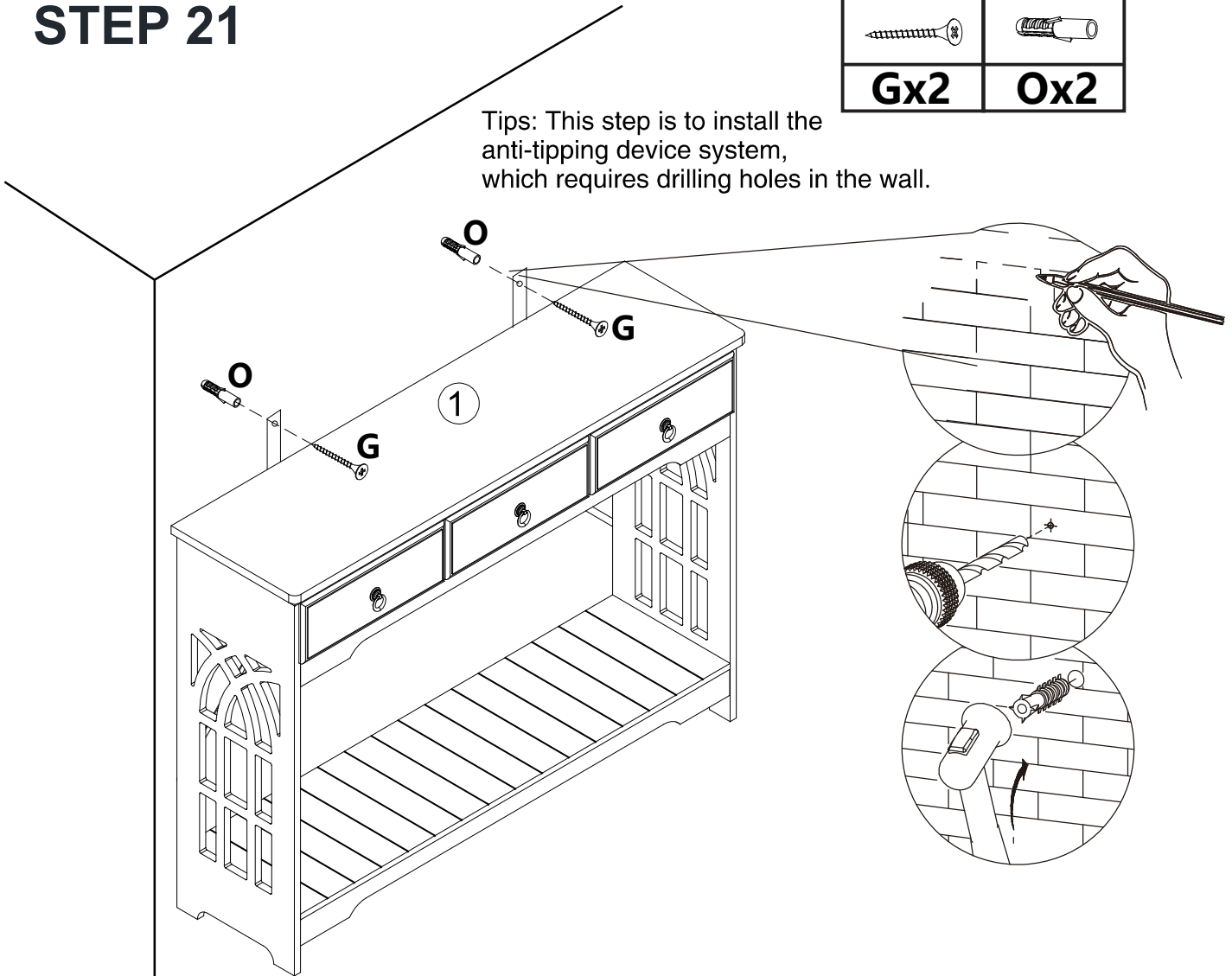
	
Lx6	Nx2

# INSTALLATION STEPS

## STEP 21

	
<b>Gx2</b>	<b>Ox2</b>

Tips: This step is to install the anti-tipping device system, which requires drilling holes in the wall.



This unit has been designed to support the maximum loads shown. Exceeding these load limits could cause sagging, instability, product collapse, and/or serious injury.

Ce meuble a été conçu pour supporter les charges maximales indiquées. En excédant ces limites de charge, le meuble pourrait devenir instable, s'effondrer, et/ou causer des blessures graves.

Esta unidad ha sido diseñada para soportar la carga máxima anotada. El exceder estos limites puede causar inestabilidad, colapsarse y/o causar serias lesiones.