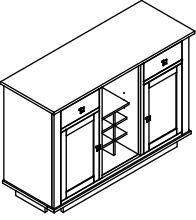
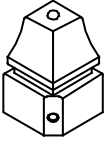
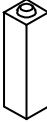
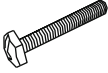









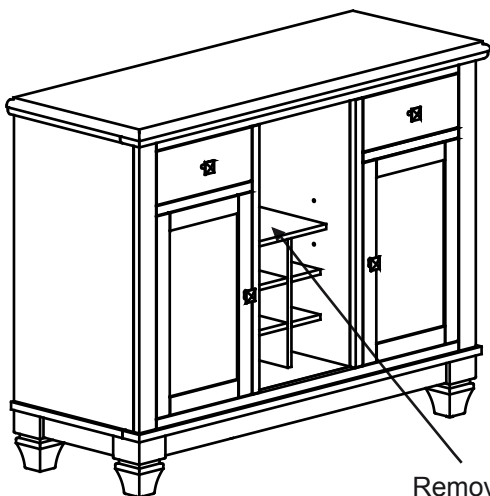
# ASSEMBLY INSTRUCTION

## TWO TONE & ANTIQUE GREY FINISH SERVER

<b>A</b> Server Box  1 pc	<b>B</b> Leg  4 pcs	<b>C</b> Center Bun Foot  1 pc	<b>D</b> Hex Bolt 5/16"  4 pcs
--	--	--	--

<b>E</b> Lock Washer 5/16"  4 pcs	<b>F</b> Flat Washer 5/16"  4 pcs	<b>G</b> Wrench 12.8mm  1 pc	<b>H</b> Bracket  2 pc
---	---	---	---

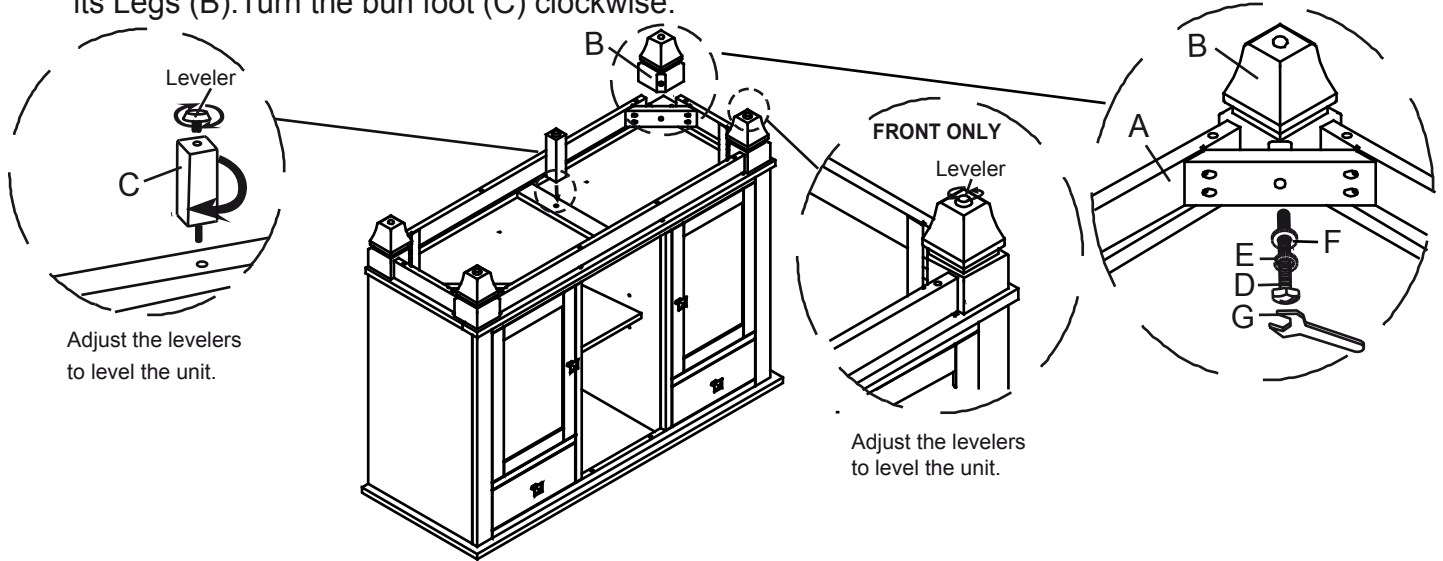
<b>I</b> Strap  1 pc	<b>J</b> Long Screw  1 pc	<b>K</b> Short Screw  1 pc
---	--	---



Remove the wine rack before assemble.

This page lists all the contents included in the box. Please take the time to identify the hardware as well as the individual components to this product. As you unpack and prepare for assembly, place the contents on a carpeted or padded area to protect them from damage.

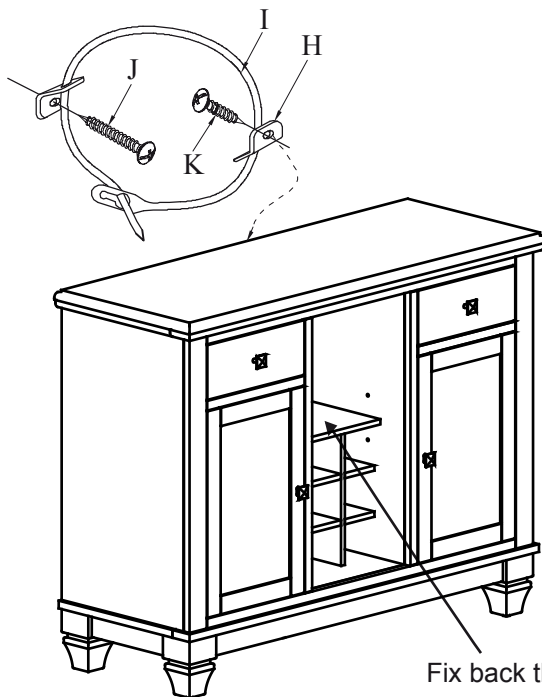
- 1** Turn the server box (A) upside down on a protective surface such as carpet or other soft material. Place the Leg (B) to corner of Apron, then tighten the Flat Washer (F), Lock washer (E) and Hex Bolt (D) using the Wrench (G) provided. Repeat the same for the other Legs. Set the Server box (A) upright on its Legs (B). Turn the bun foot (C) clockwise.



- 2** There is a tip restraint kit provided on the back of this product. This tip restraint must be attached to a wall stud using the screws (J&K) enclosed.

Attach a L Bracket (H) securely to the back top rail of the server using Short Screw (K) through the smaller hole. Locate the other L Bracket (H) on the wall over a wall stud and 2 inches below the L Bracket (H), secure to the back of the server. Attach to the wall stud using Long Screw (J) through the smaller hole.

Place the server into position so both L Brackets (H) are vertically in line. Lace the end of the Strap (I) through the larger hole in each L Bracket (H). Bring both ends together and slide the flat end through the locking end and draw it through until all slack is removed. Confirm that the Strap (I) is securely locked.



### Cleaning & Care

Treat surface with care. Surface is resistant to scratches but is not scratches resistant. Clean surfaces with a dry or dampsoft cloth. Do not use abrasive cleaners. Hardware may loosen overtime. Periodically check that all connections are tight.