

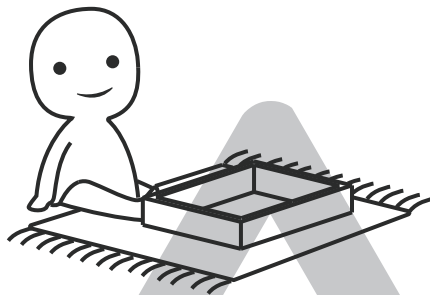
# **INSTALLATION**

*Product Manual*



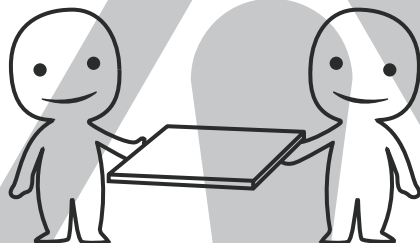
### **IMPORTANT INFORMATION!**

please read the entire manual before starting to assemble and/or using this product. follow the manual thoroughly and keep it for further reference.



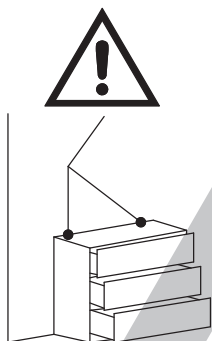
### **AVOID SCRATCHES!**

In order to avoid scratching this furniture should be assembled on a soft layer- could be a rug.



### **IMPROVE EFFICIENCY !**

Try to find a partner to install with you, which can speed up the installation efficiency and shorten the time.



### **ANTI-TOPPLE WARNING !**

Overturned furniture can cause serious or fatal crush injuries. To prevent tipping over, be sure to use the wall attachment, if not included with this product. Please purchase the wall attachment that fit your wall. If unsure, seek professional advice. Please read and follow each step of the instructions carefully.

### **IMPORTANT !**

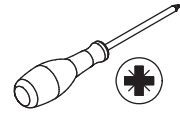
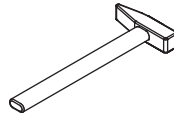
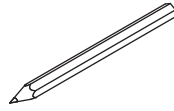
It is important that any product which is assembled using any kind of screw is re-tightened 2 weeks after assembly, and once every 3 months - in order to assure stability through-out the lifespan of the product.

For regular maintenance and cleaning of the product, for the frame, please use a rag dipped in neutral detergent to fully wipe it, and then dry it with a clean rag. For glass materials, wipe with a rag dampened with water glass cleaner, and then dry with a dry rag.

Do not use an electric screwdriver, and do not use too much force when installing, because the board is easy to break.

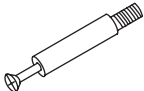


Please prepare the following tools




When installing, please carefully confirm whether each screw corresponds to the manual, accessories with similar shapes can be distinguished by size

A x 53



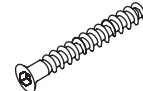
M6 x 40 mm

B x 53



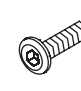
Ø 15 x 10 mm

C x 55



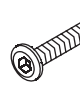
ST5 x 40 mm

D x 24




M6 x 30 mm

E x 11




M6 x 35 mm

F x 10

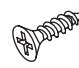


Ø8 x 35 mm

G x 8

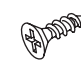


H x 8



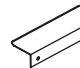
ST3 x 16 mm

I x 50




ST3 x 12 mm

J x 5




120-96

K x 2




ST4 x 25 mm

L x 4




M6 x 12 mm

M x 9




M6 x 15 mm

N x 5



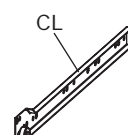
M6

O x 11



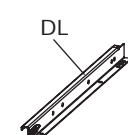
M8

CL x 5



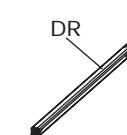
14"

DL x 5



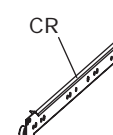
14"

DR x 5




14"

CR x 5

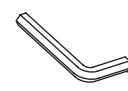


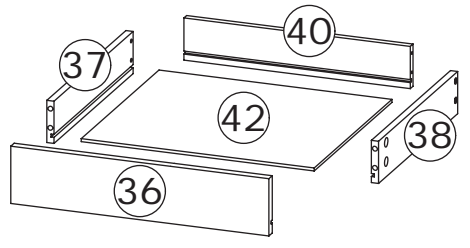
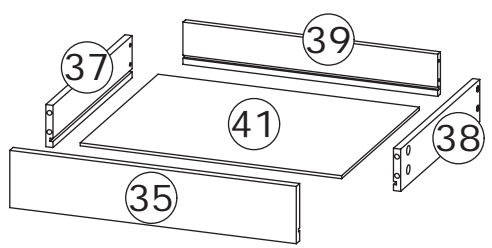
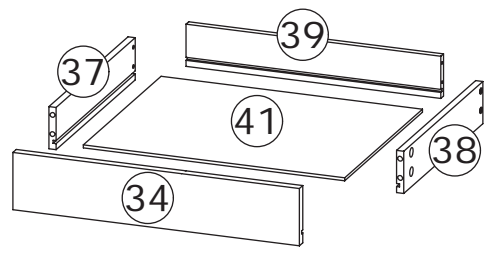
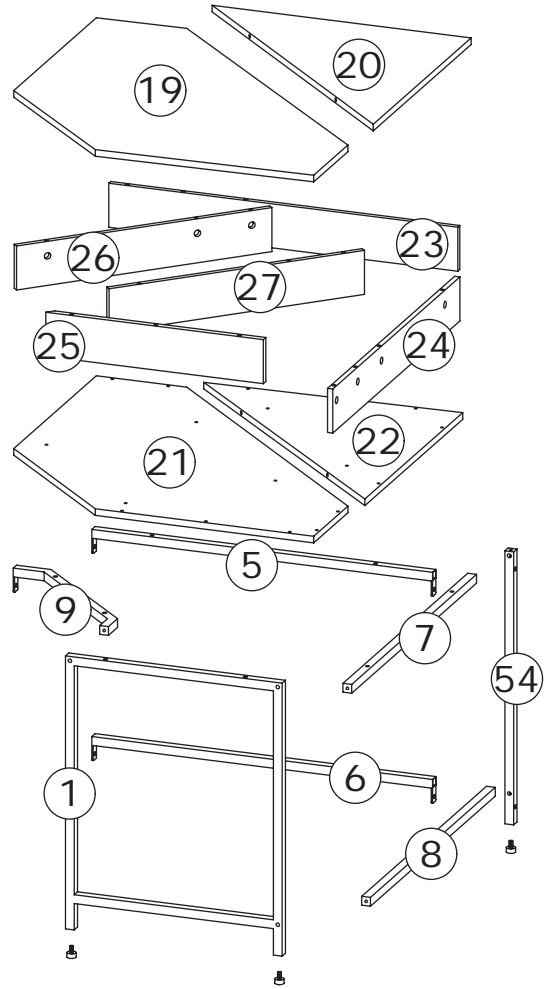
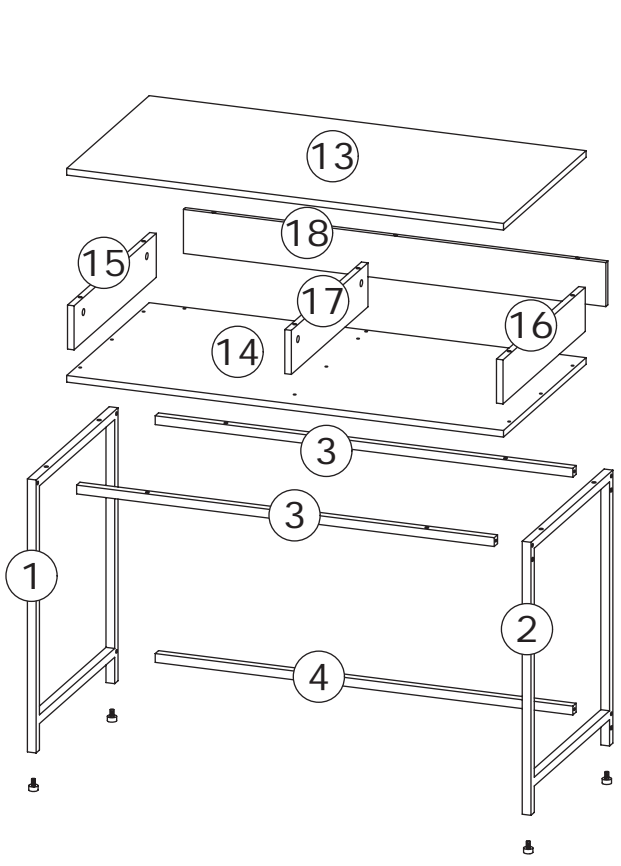
14"

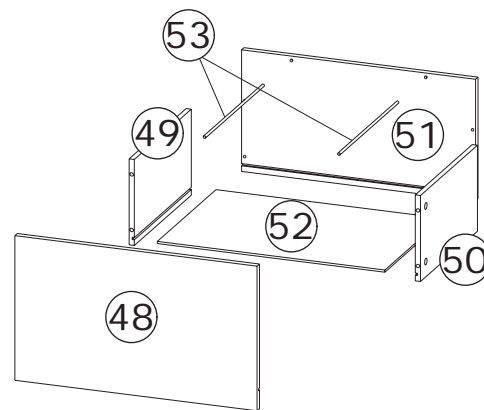
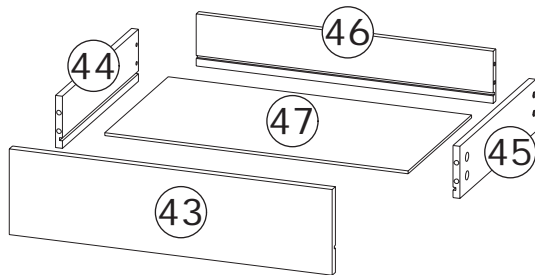
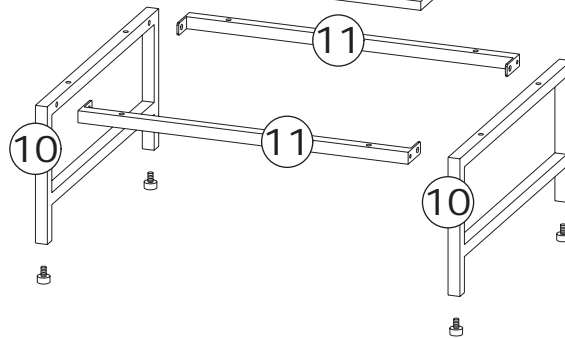
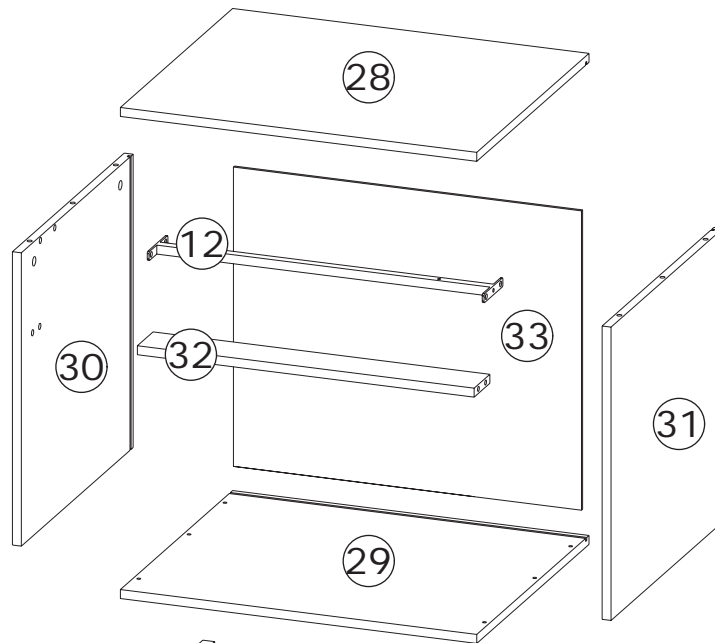
M4 x 1



M3 x 1







## ⚠ WARNING

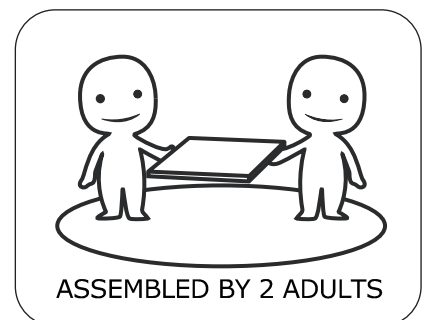


**Children have died from furniture tipover. To reduce the risk of furniture tipover:**

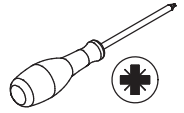
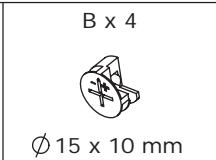
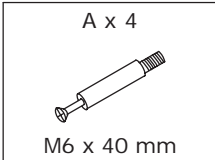
- ALWAYS install Anti-tip device provided.
- NEVER put a TV on this product.
- NEVER allow children to stand, climb or hang on drawers, doors, or shelves.
- NEVER open more than one drawer at a time.
- Place heaviest items in the lowest drawers.



*This is a permanent label.  
Do not remove!*

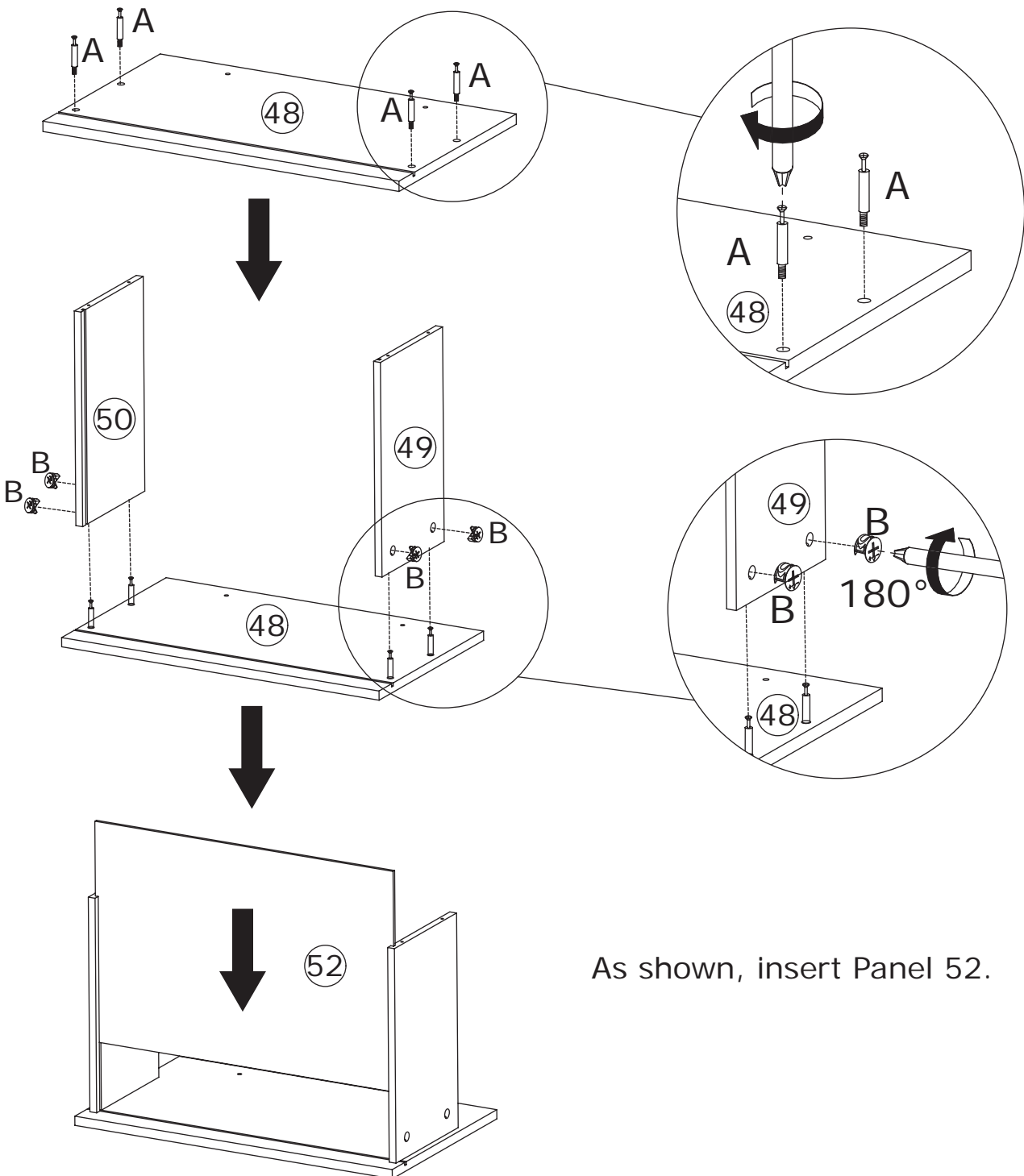
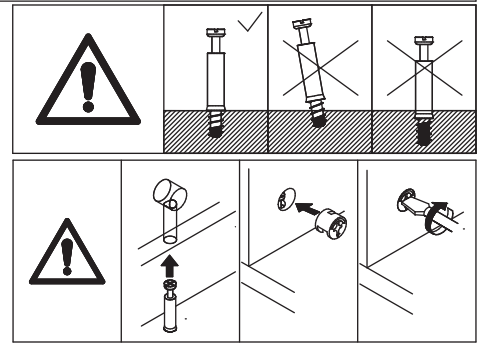


1



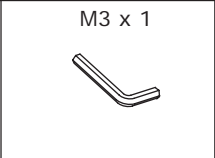
As shown, screw the self-tapping rod (A) into Panel 48.

As shown, connect Panel 50, Panel 49 and Panel 48. Insert the eccentric wheel (B) into Panel 50 and Panel 49, then turn it clockwise to tighten.

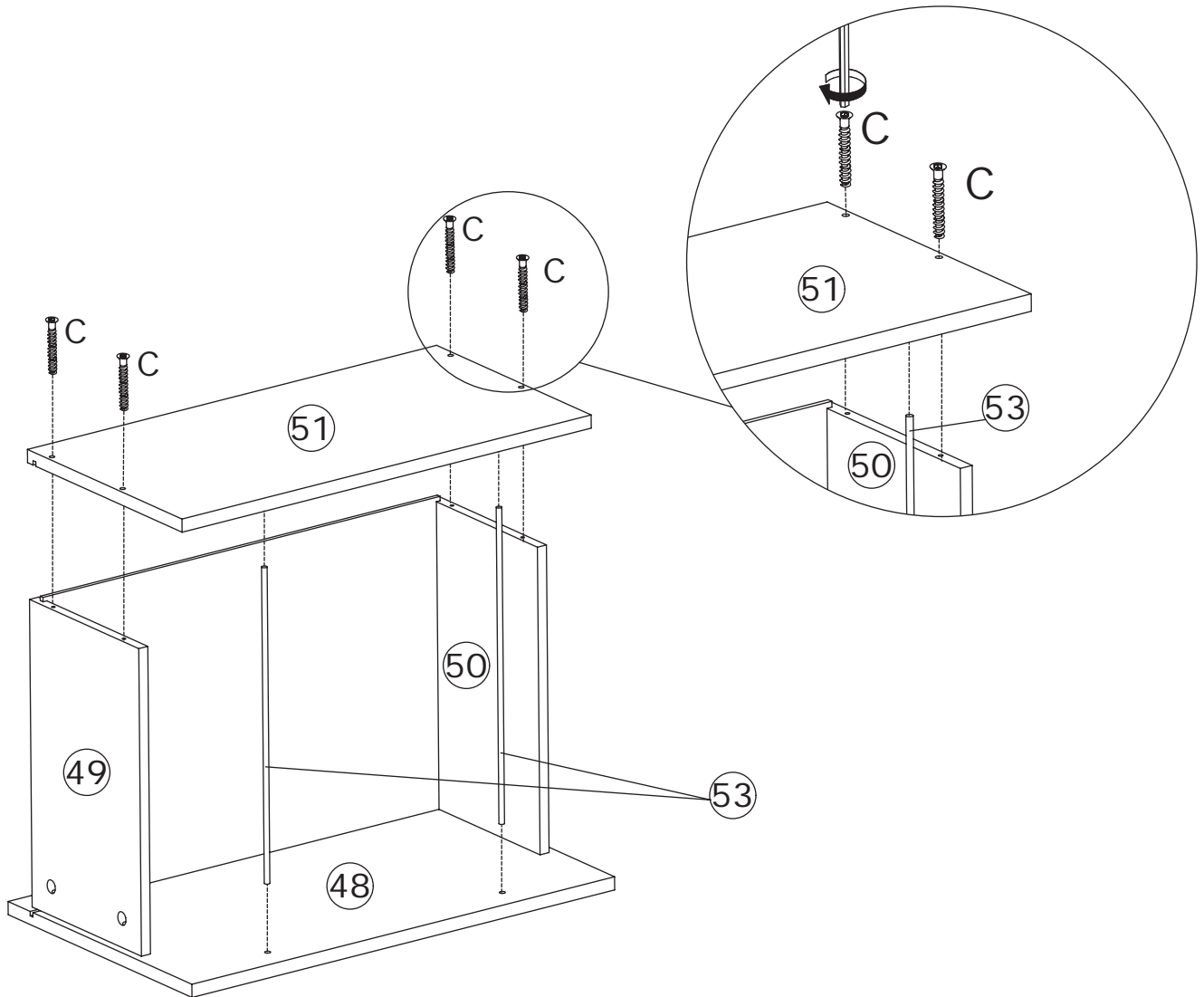


As shown, insert Panel 52.

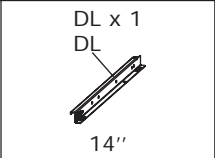
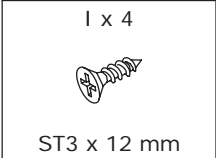
2



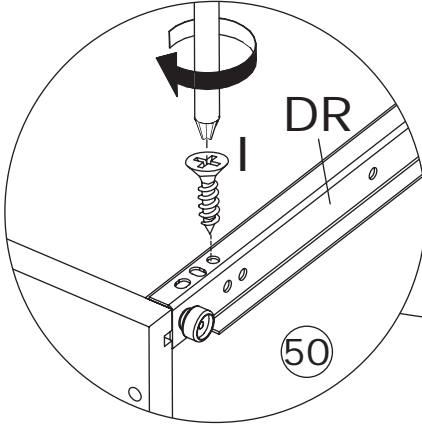
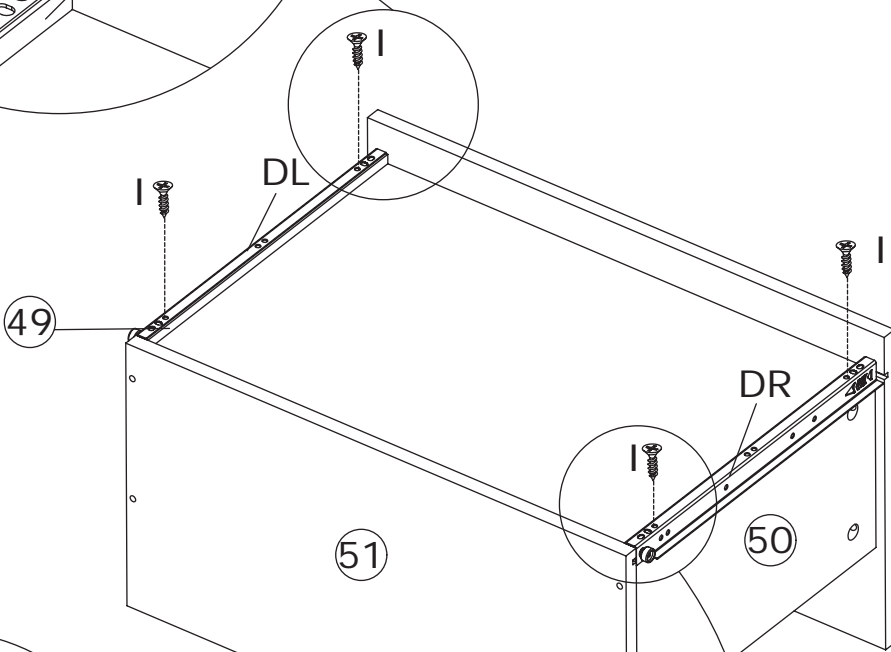
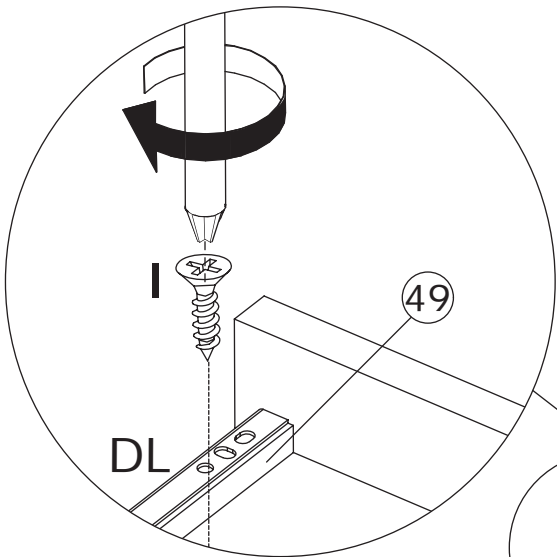
As shown, use through-bolts (C) to secure Panel 51 and Rod 53 to Panels 49 and 50.



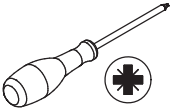
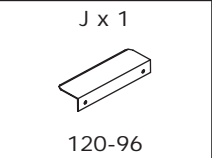
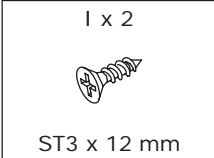
3



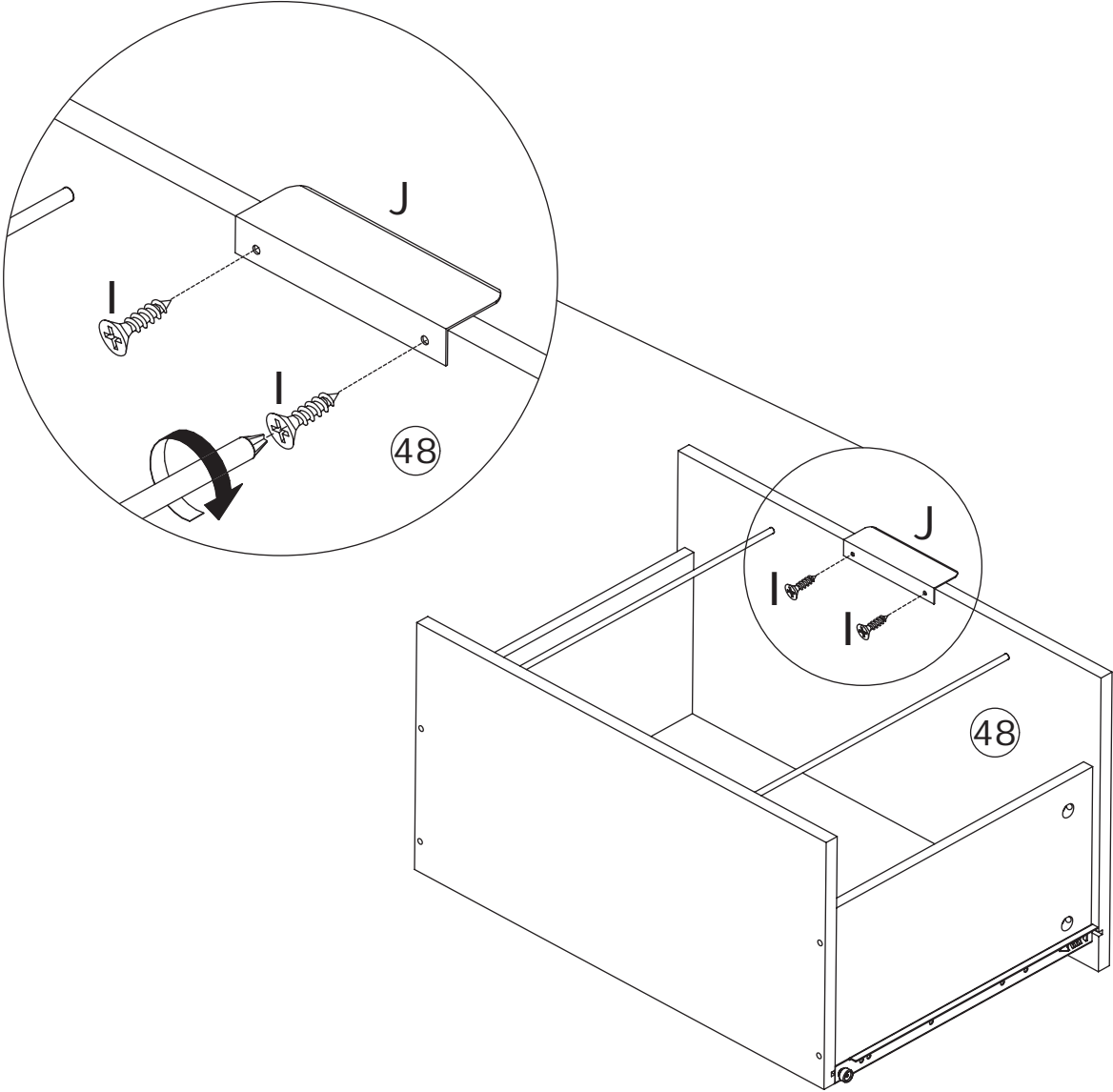
As shown, use screws (I) to respectively fasten guide rails DL and DR to Panels 49 and 50.



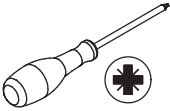
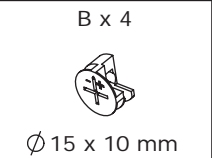
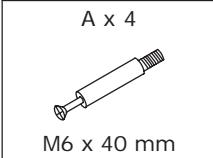
4



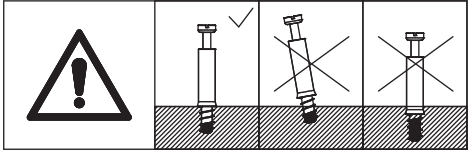
As shown, use screws (I) to fix the handle (J) to Panel 48.



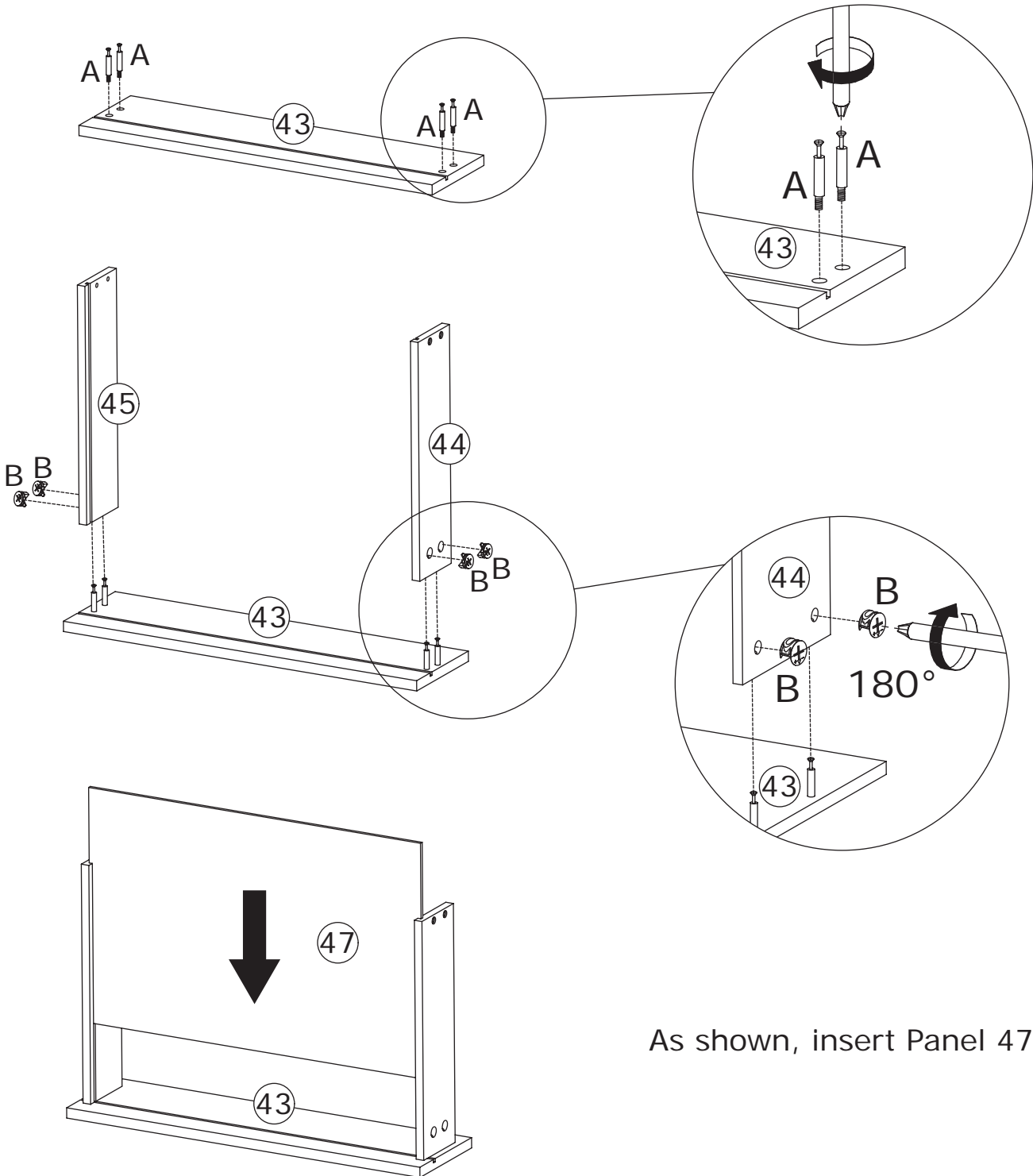
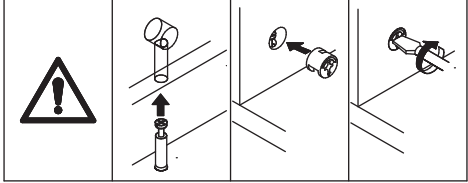
5



As shown, screw the self-tapping rod (A) into Panel 43.

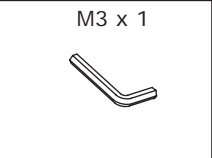


As shown, connect Panel 44, Panel 45 and Panel 43. Insert the eccentric wheel (B) into Panel 44 and Panel 45, then turn it clockwise to tighten.

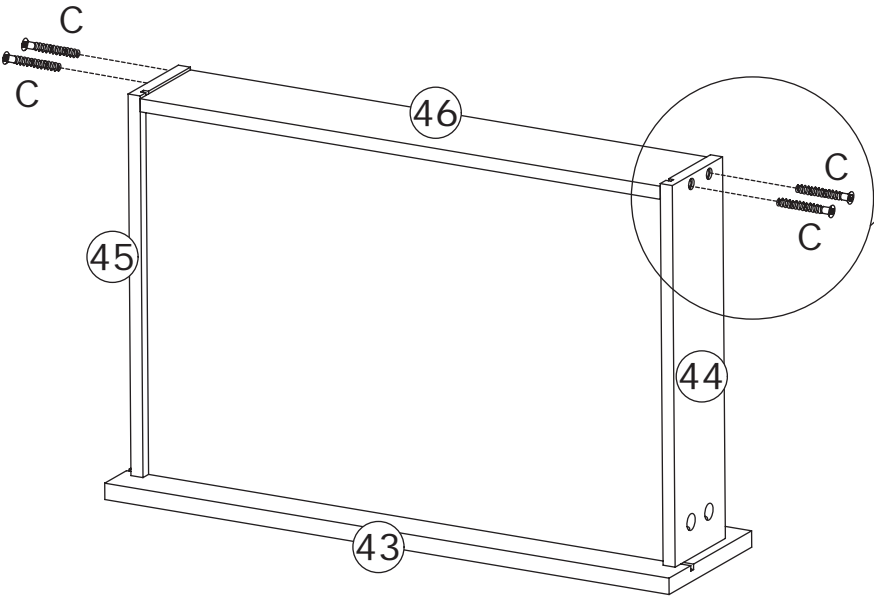
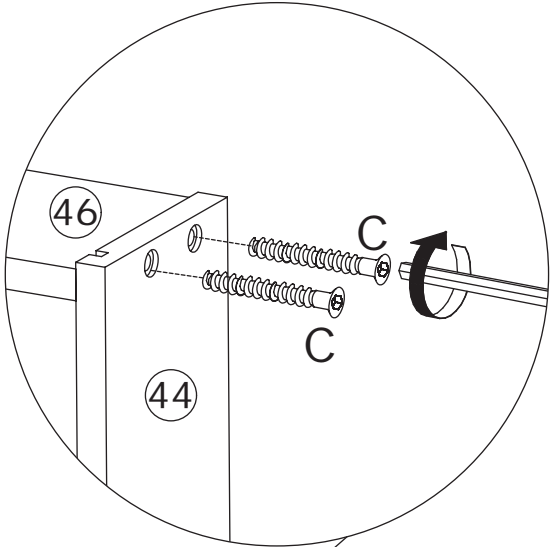


As shown, insert Panel 47.

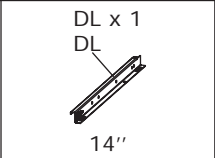
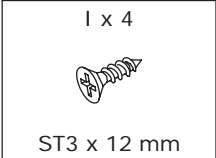
6



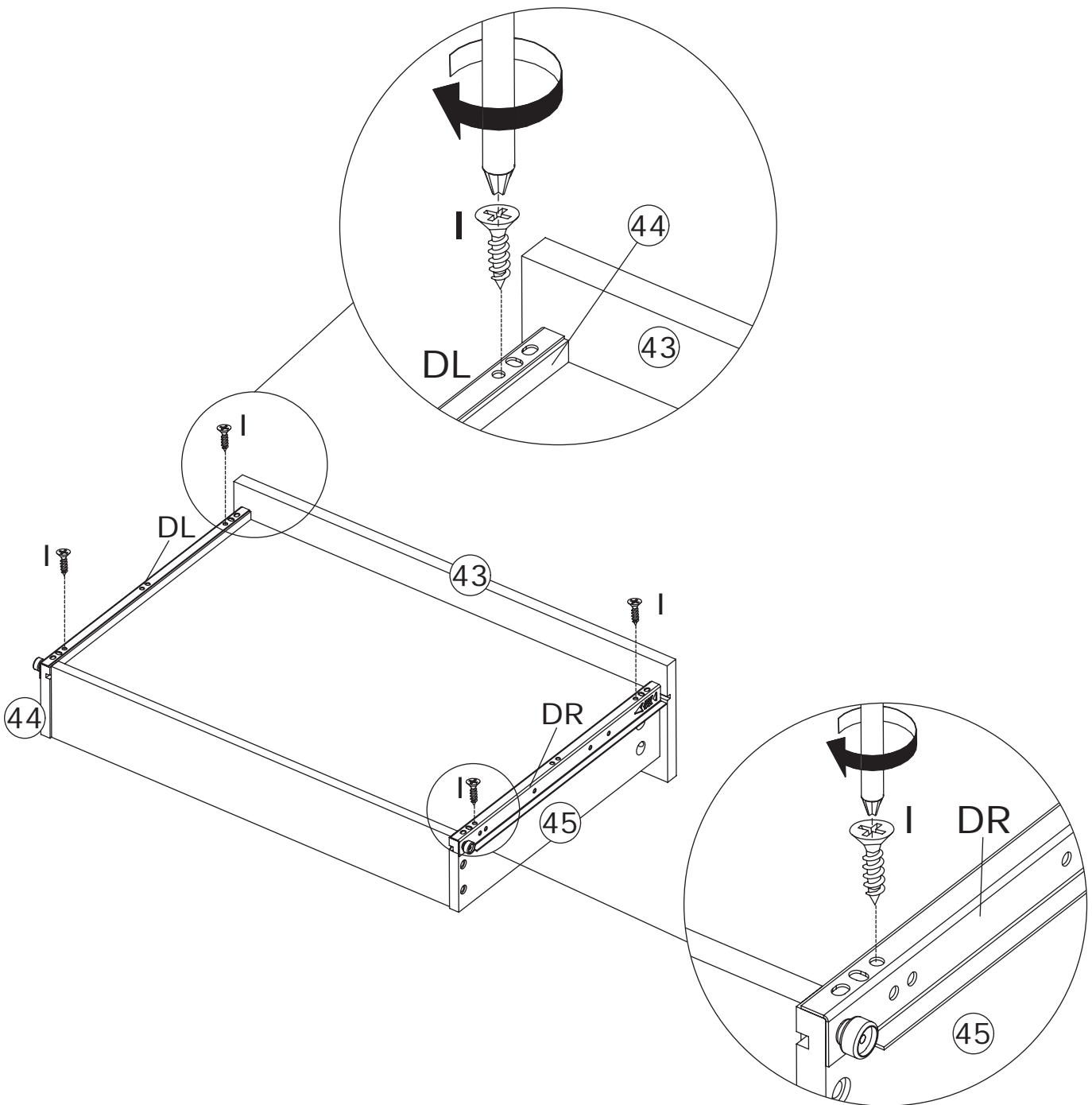
As shown, use through-bolts (C) to secure Panel 46 to Panels 45 and 44.



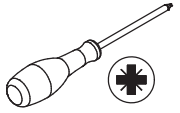
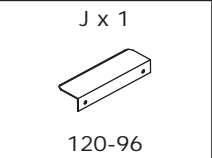
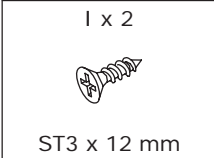
7



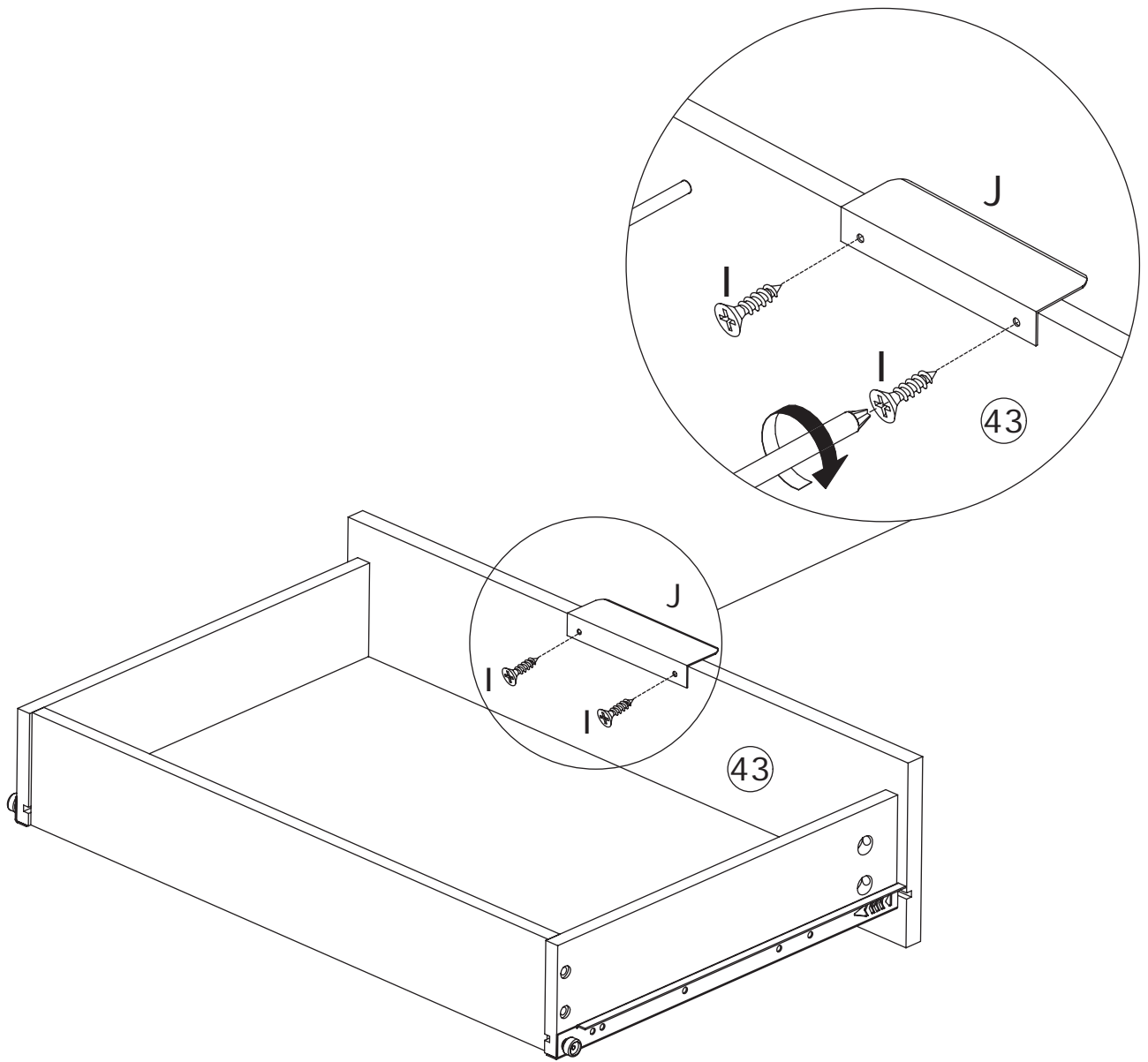
As shown, use screws (I) to respectively fasten guide rails DL and DR into Panels 44 and 45.



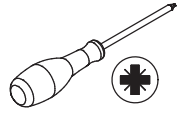
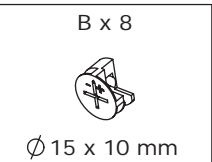
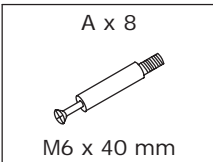
8



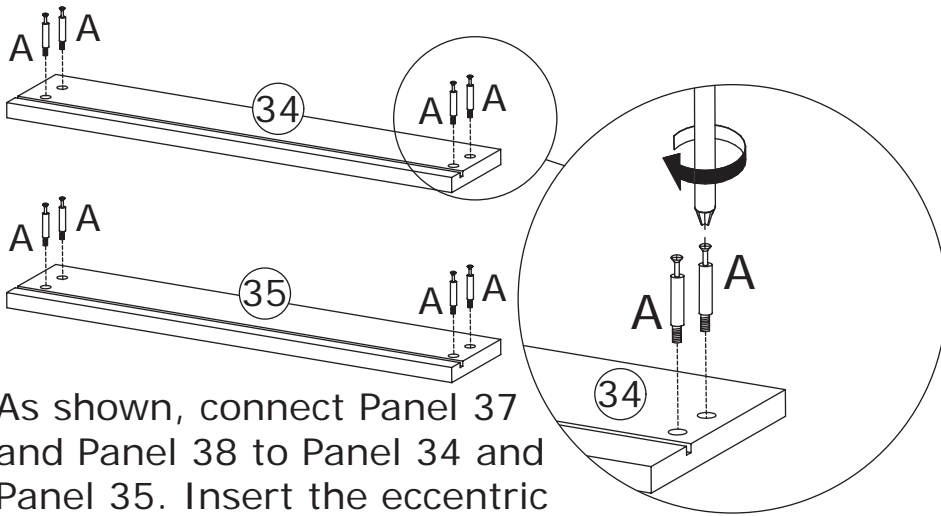
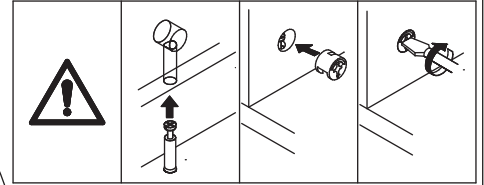
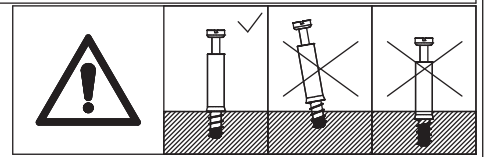
As shown, use screws (I) to fix the handle (J) to Panel 43.



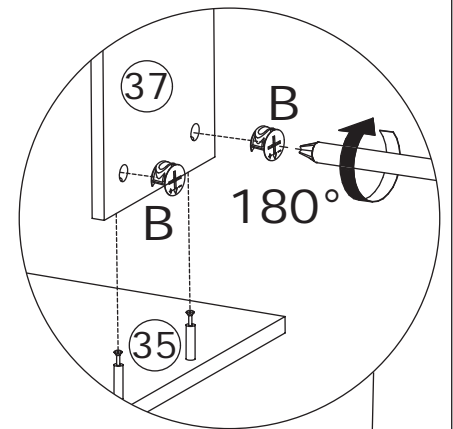
9



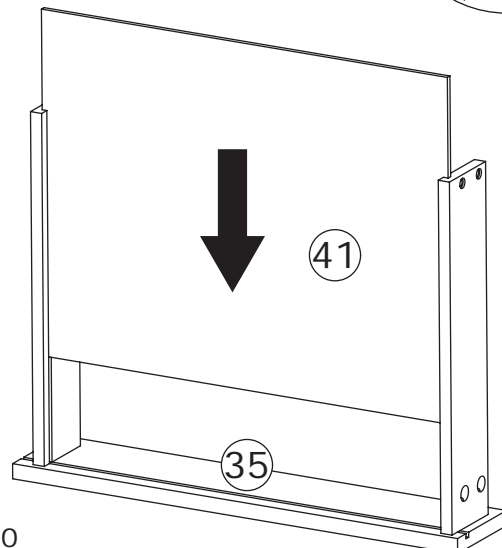
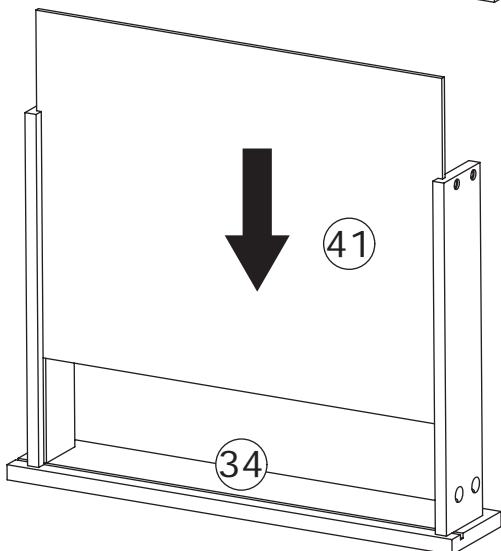
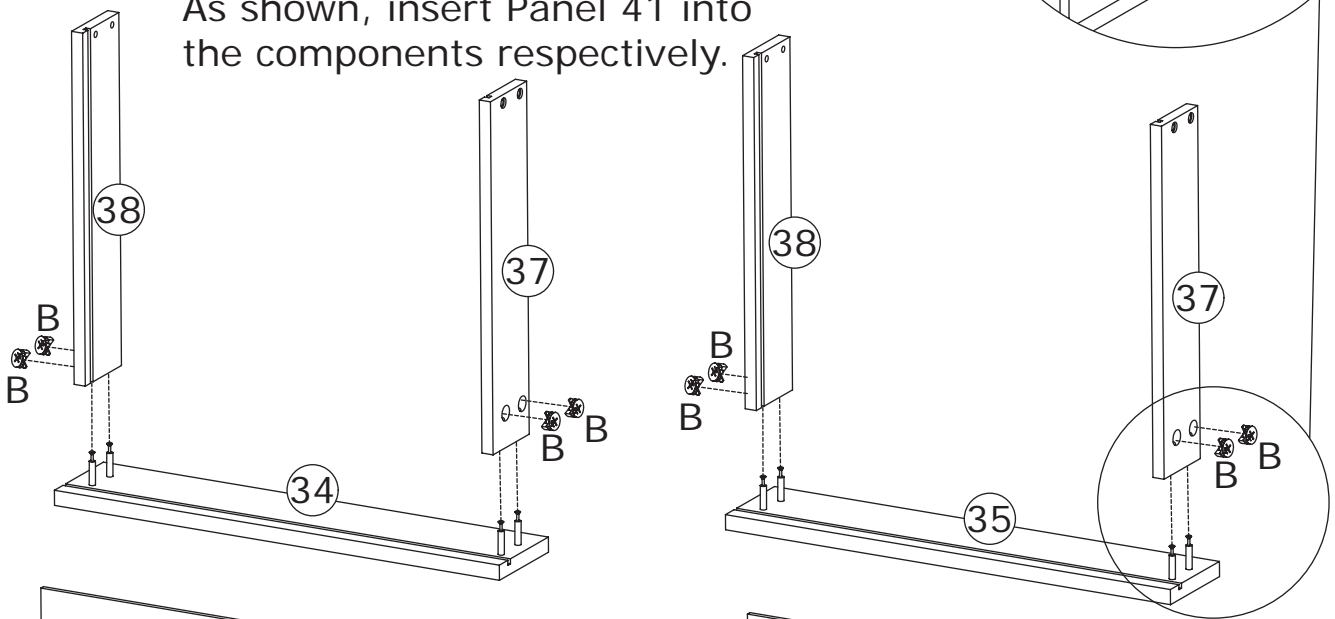
As shown, screw the self-tapping rod (A) into Panel 34 and Panel 35.



As shown, connect Panel 37 and Panel 38 to Panel 34 and Panel 35. Insert the eccentric wheel (B) into Panel 37 and Panel 38, then turn it clockwise to tighten.



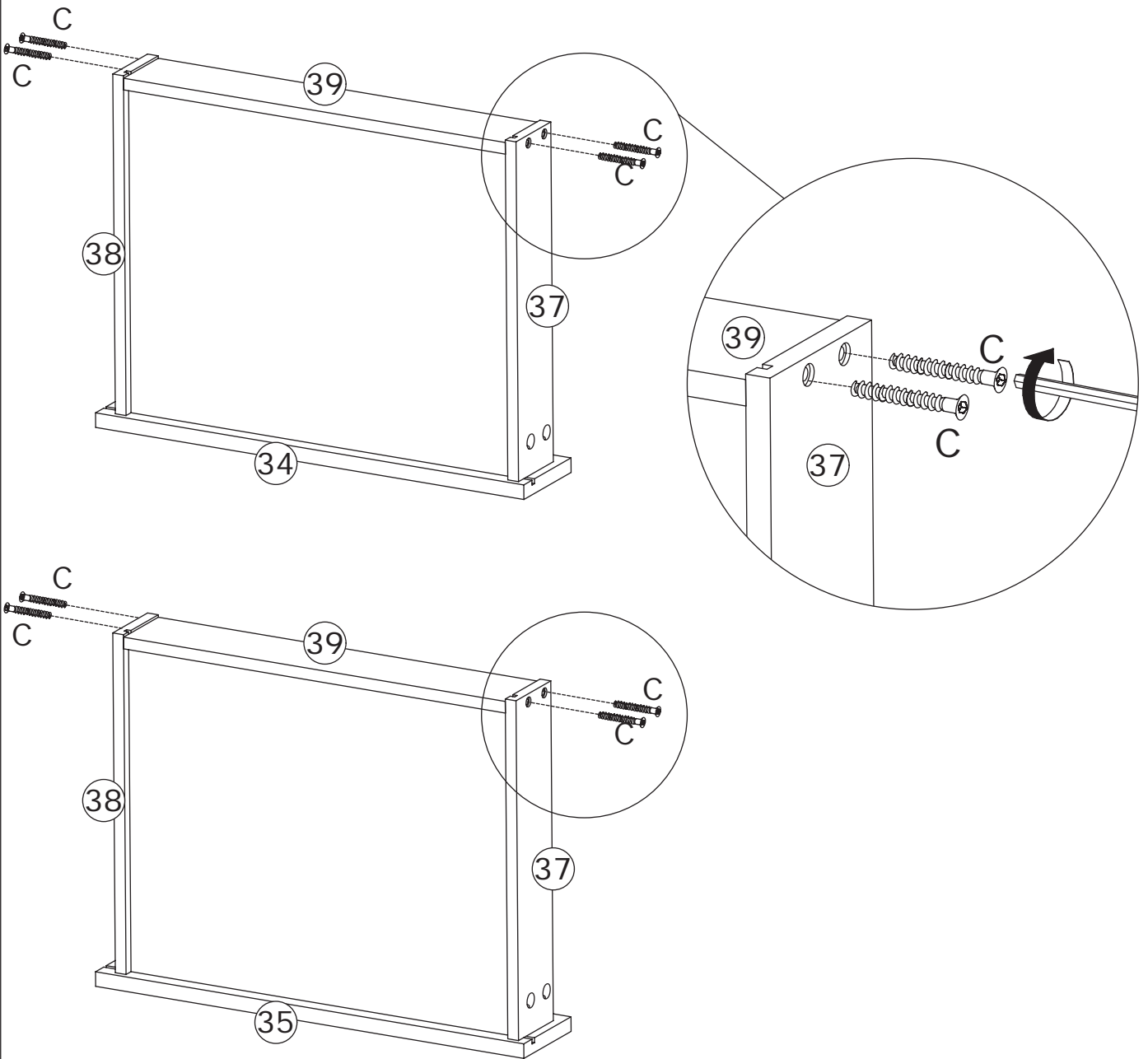
As shown, insert Panel 41 into the components respectively.



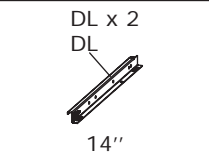
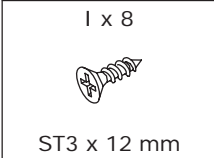
10

<p>C x 8</p>  <p>ST5 x 40 mm</p>	<p>M3 x 1</p> 	
---	---	--

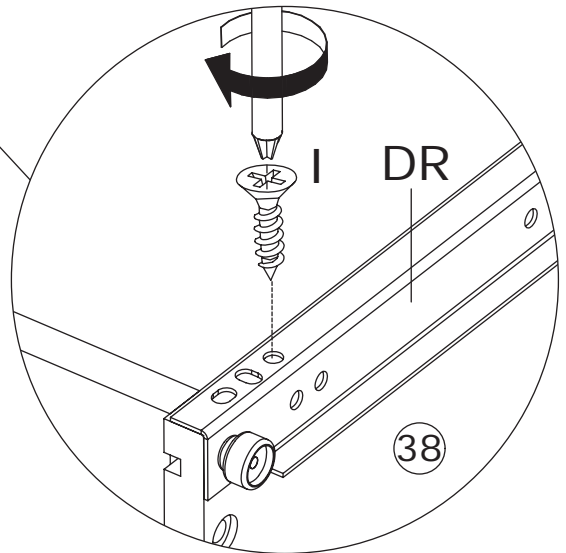
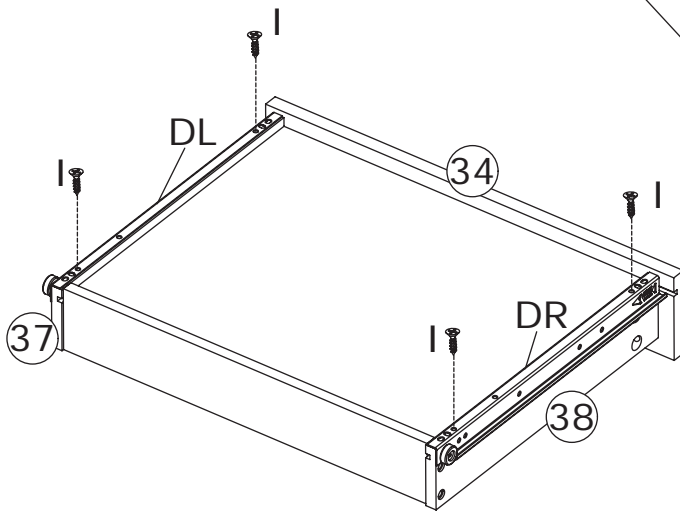
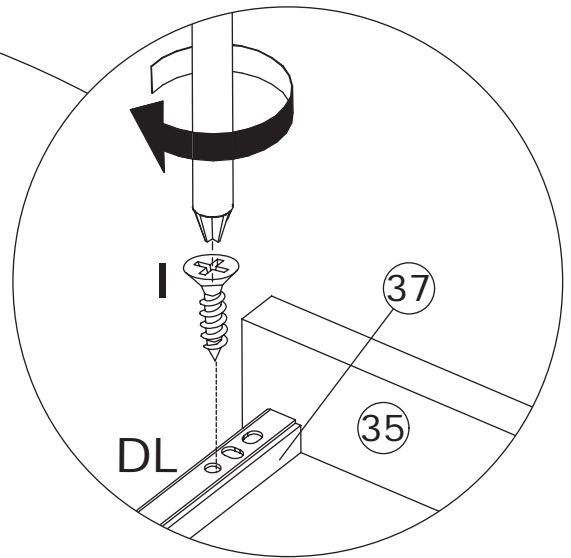
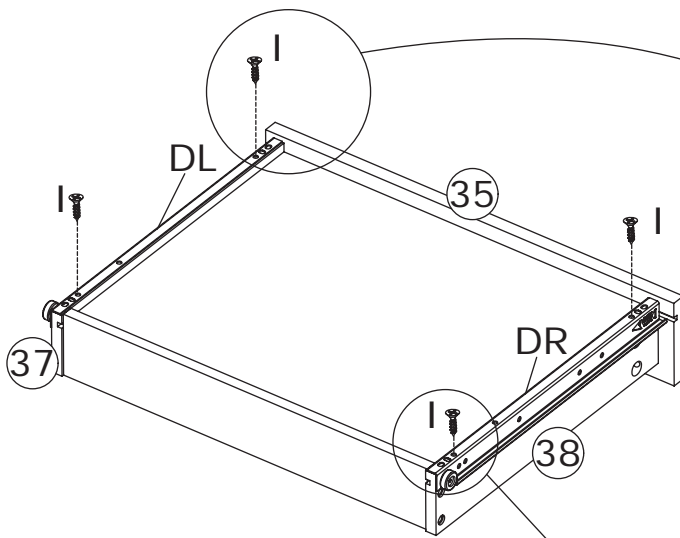
As shown, use through-bolts (C) to secure Panel 39 to Panels 37 and 38.



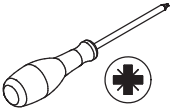
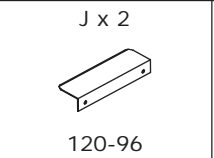
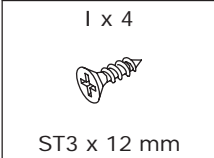
11



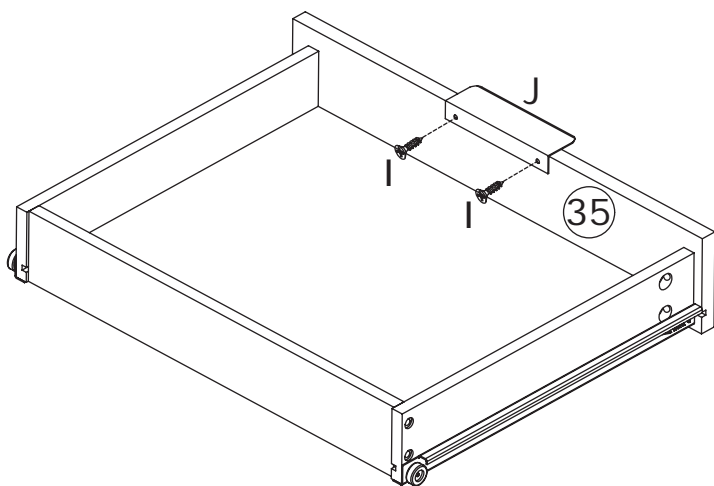
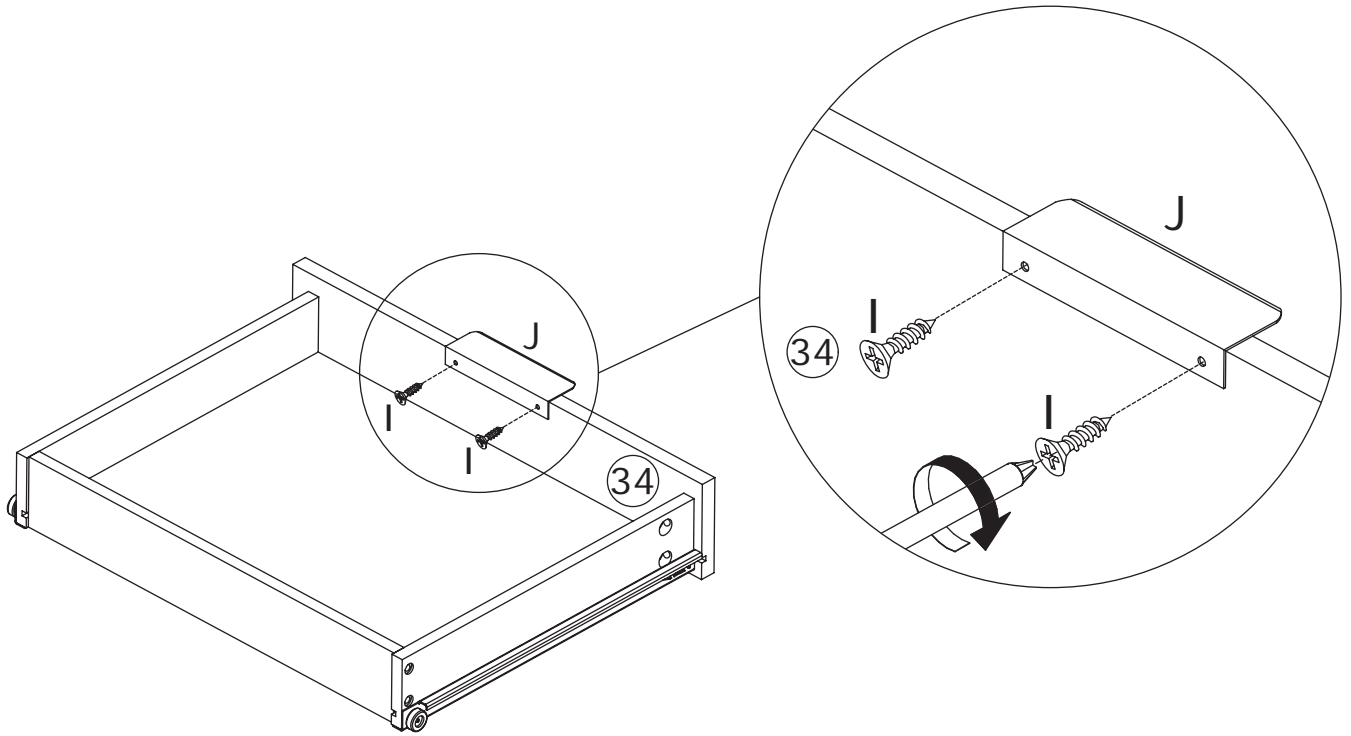
As shown, use screws (I) to respectively fasten guide rails DL and DR into Panels 37 and 38.



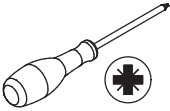
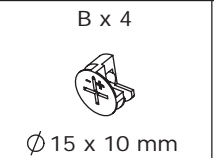
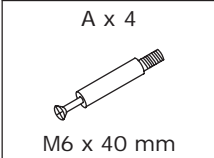
12



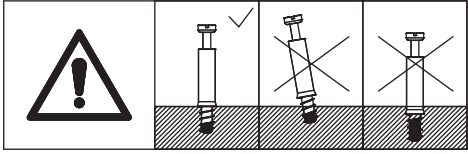
As shown, use screws (I) to fix the handle (J) to Panel 34 and Panel 35.



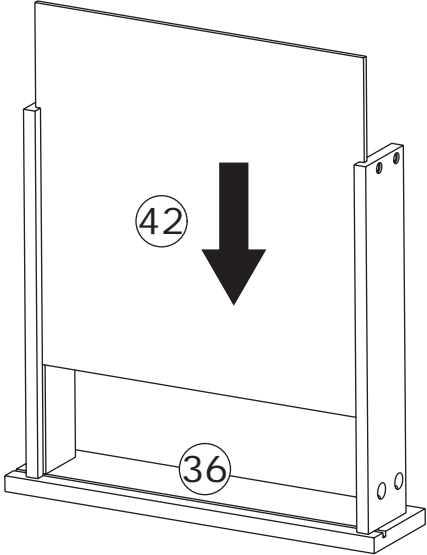
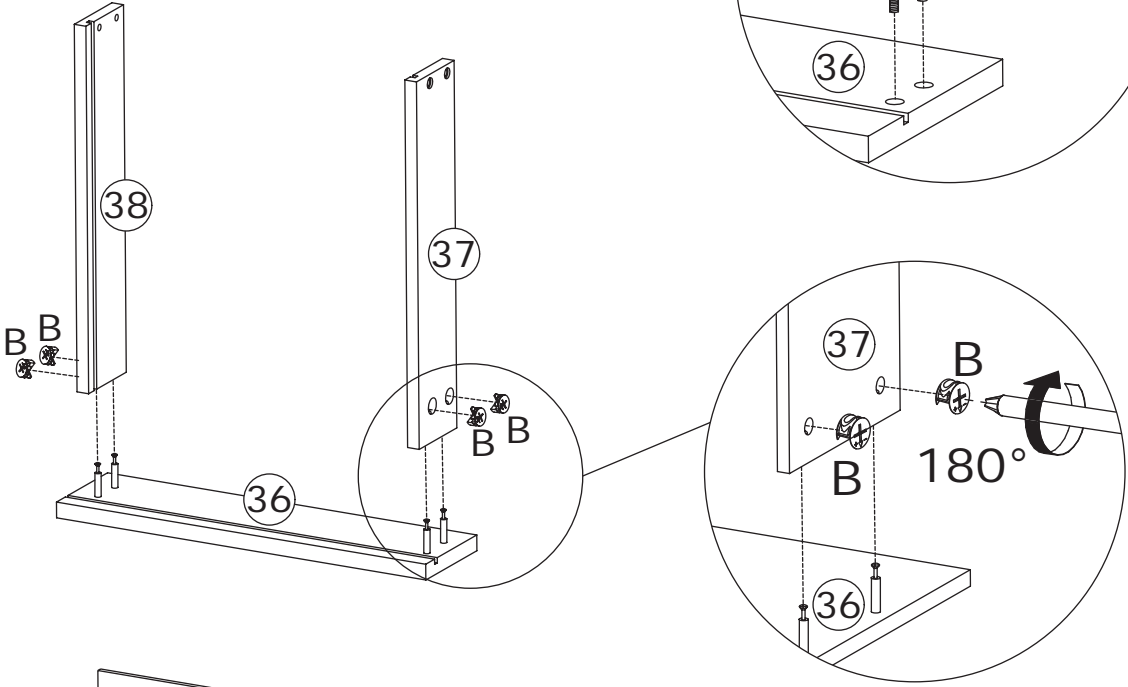
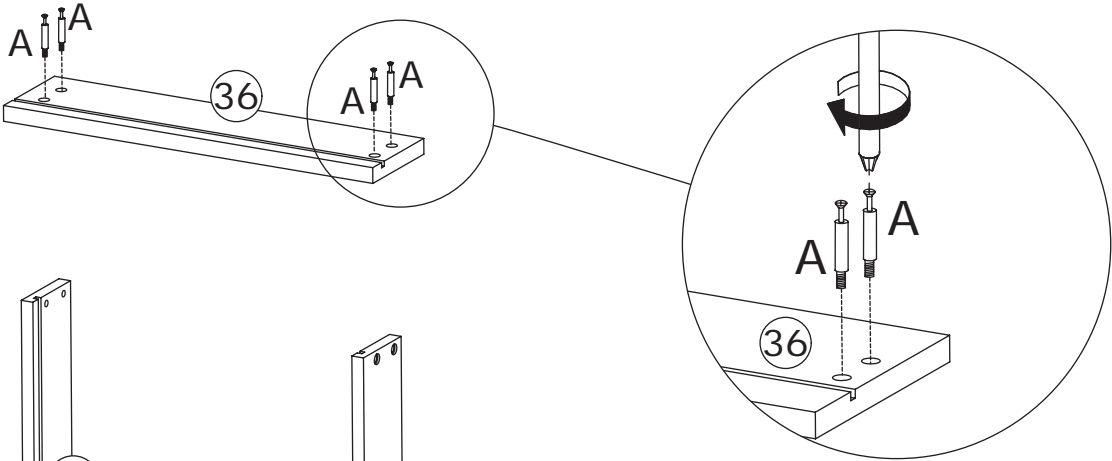
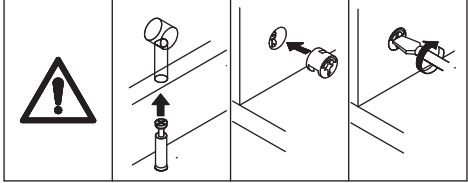
# 13



As shown, screw the self-tapping rod (A) into Panel 36.

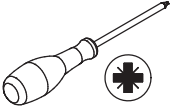


As shown, connect Panel 37, Panel 38 and Panel 36. Insert the eccentric wheel (B) into Panel 37 and Panel 38, then turn it clockwise to tighten.

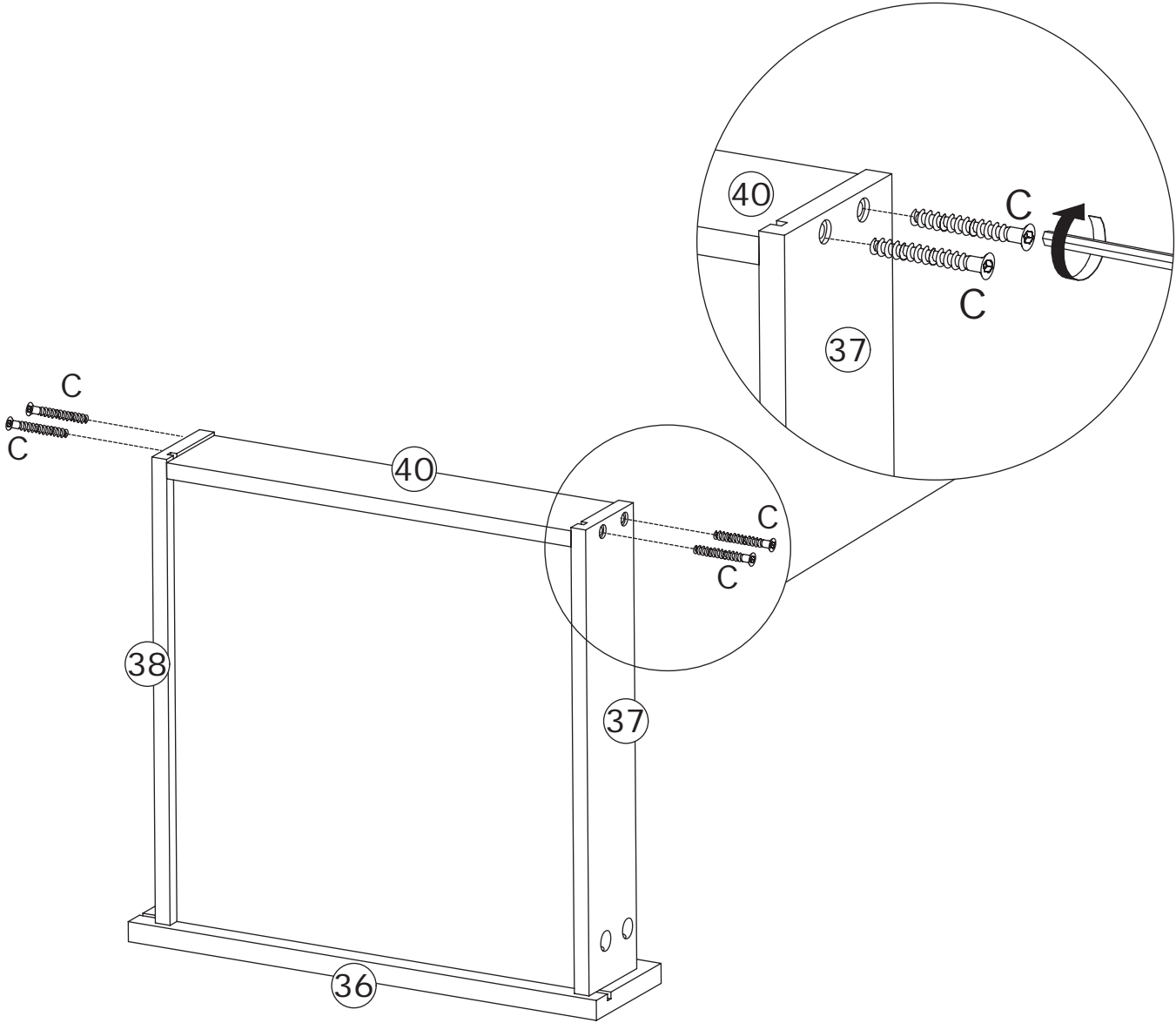


As shown, insert Panel 42.

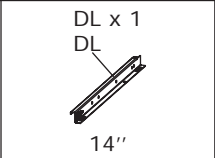
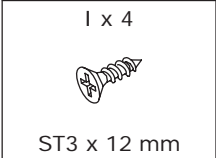
14



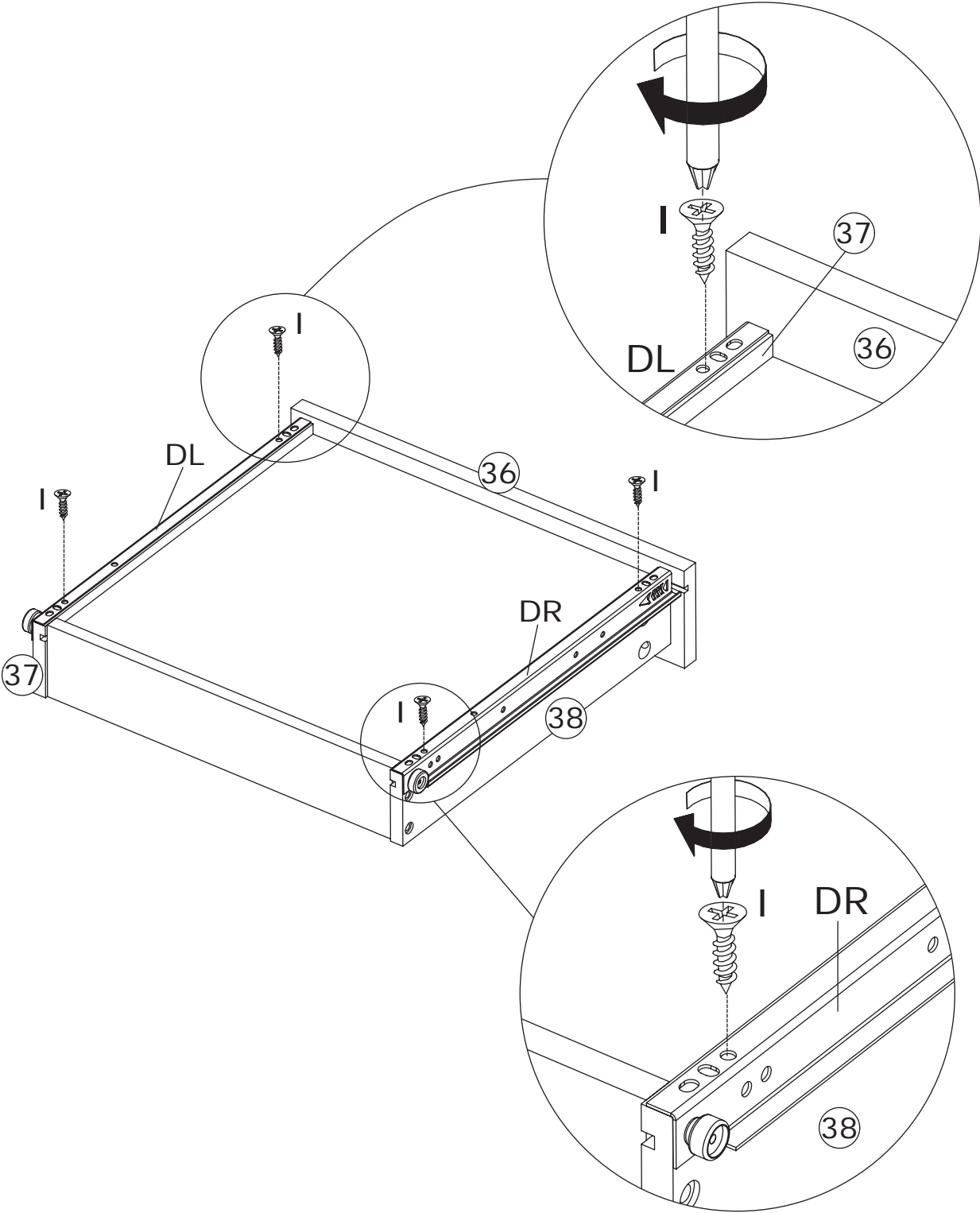
As shown, use through-bolts (C) to secure Panel 40 to Panels 37 and 38.



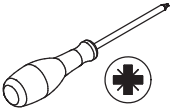
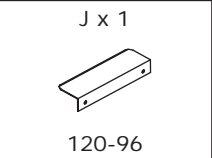
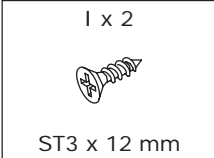
15



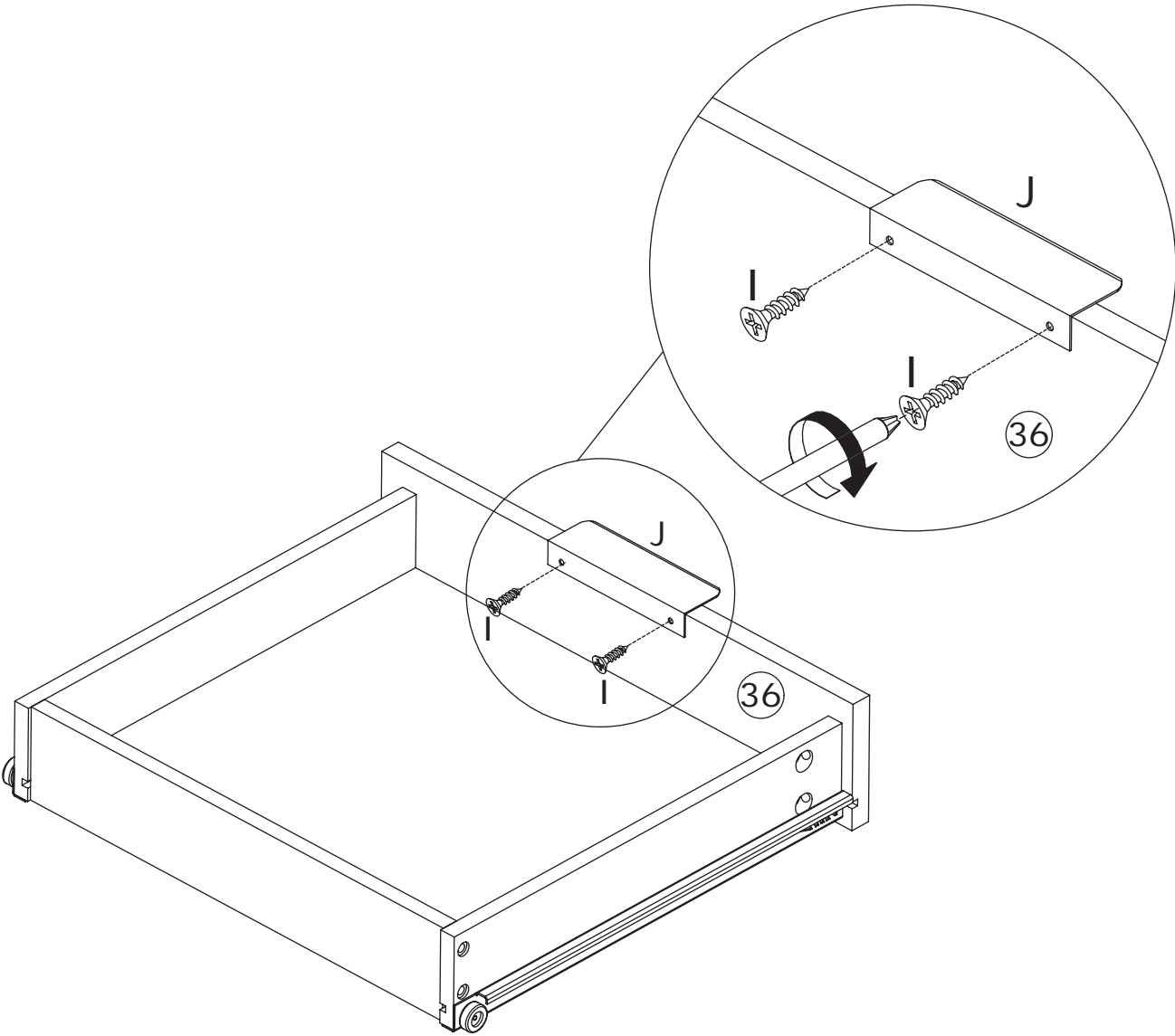
As shown, use screws (I) to respectively fasten guide rails DL and DR into Panels 37 and 38.



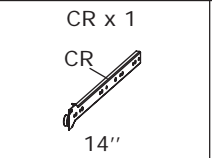
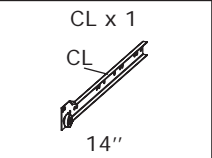
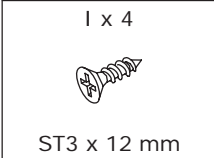
16



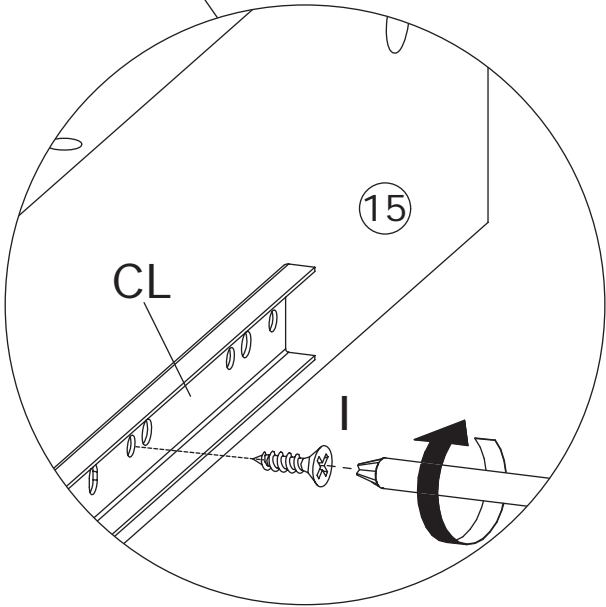
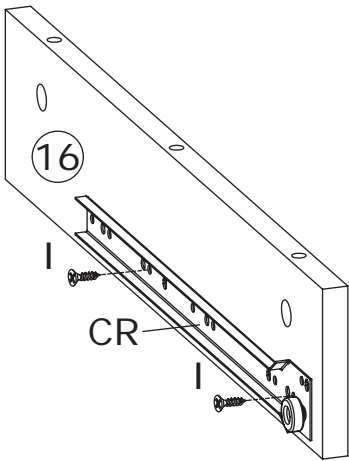
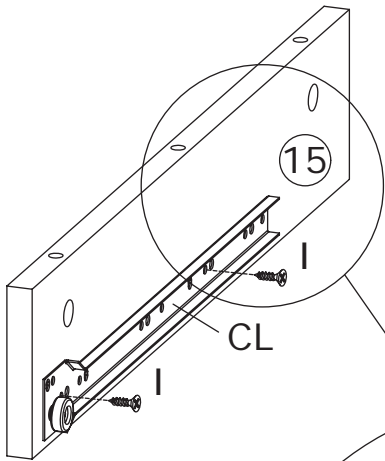
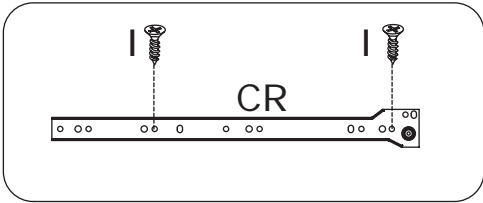
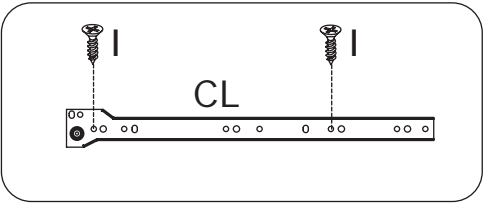
As shown, use screws (I) to fix the handle (J) to Panel 36.



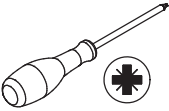
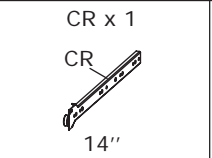
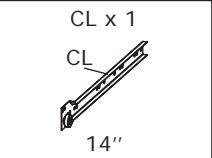
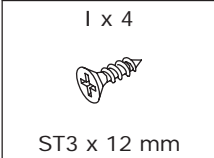
17



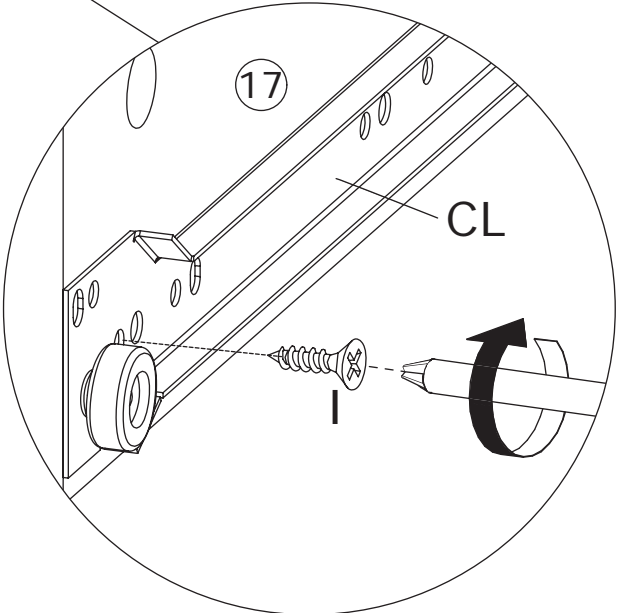
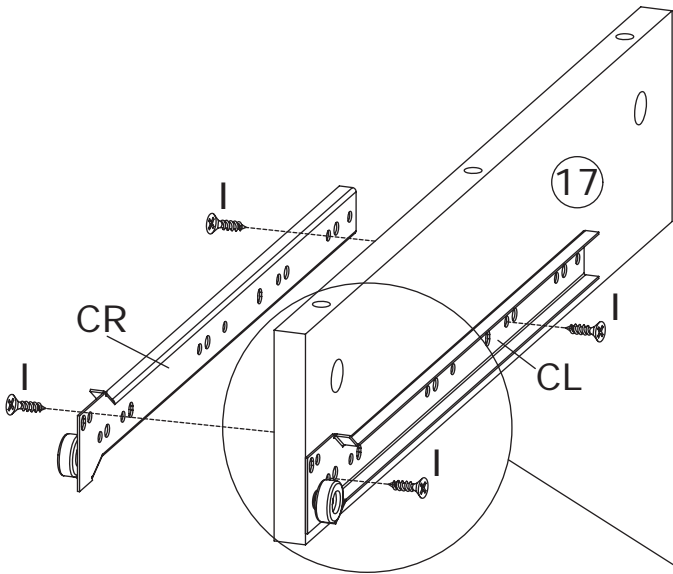
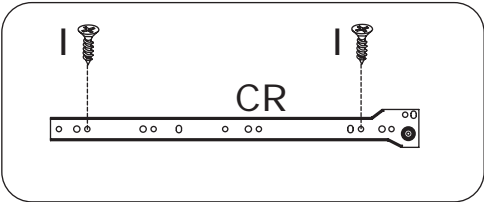
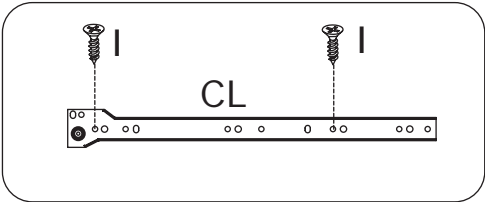
As shown, use screws (I) to fix guide rails CL and CR into Panels 15 and 16 respectively.




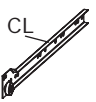

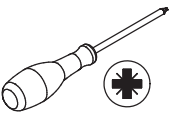

18



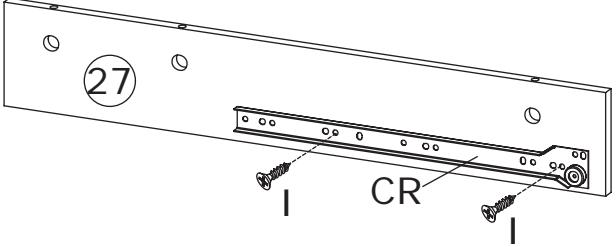
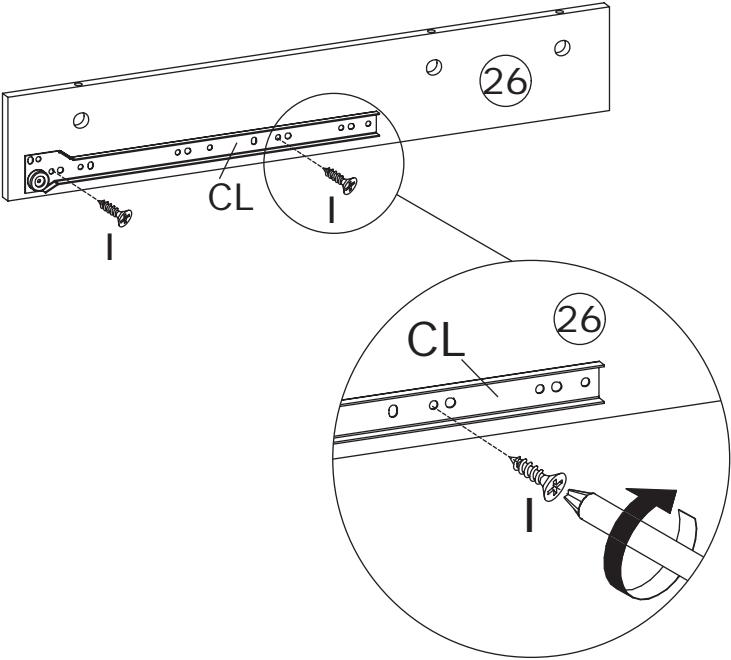
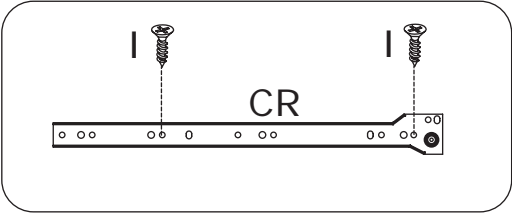
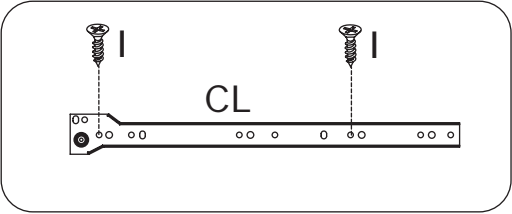
As shown, use screws (I) to fasten guide rails CL and CR to Panel 17 respectively.



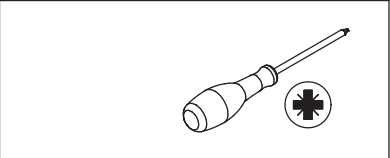
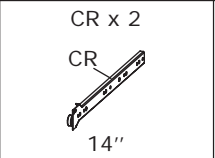
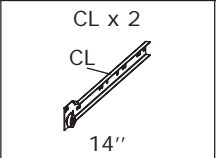
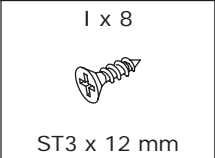
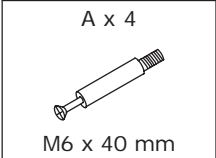
19

<p>I x 4</p>  <p>ST3 x 12 mm</p>	<p>CL x 1</p>  <p>CL</p> <p>14"</p>	<p>CR x 1</p>  <p>CR</p> <p>14"</p>	 
---	--	--	---

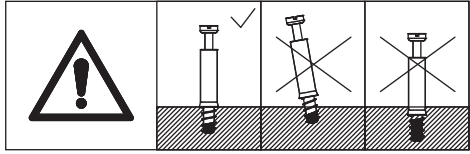
As shown, use screws (I) to fix guide rails CL and CR into Panels 26 and 27 respectively.



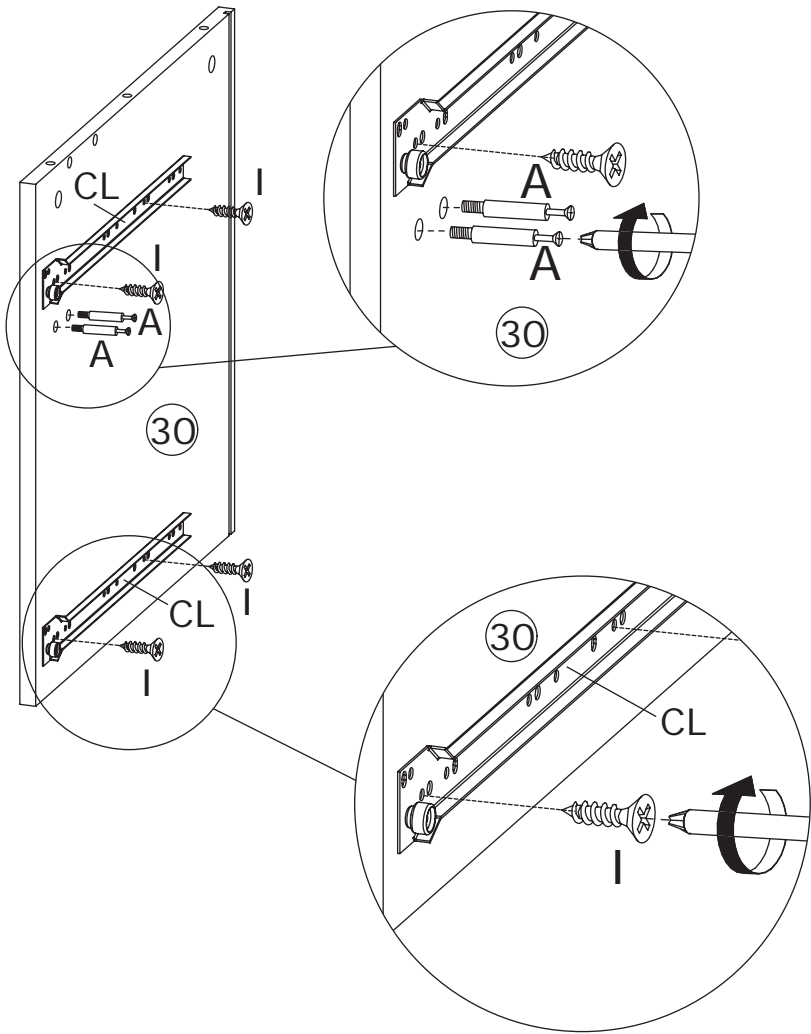
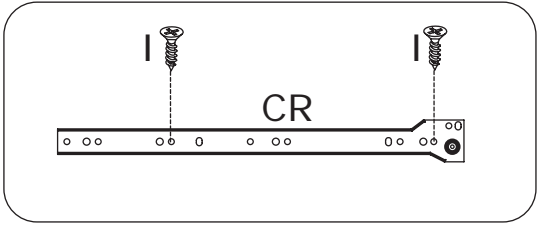
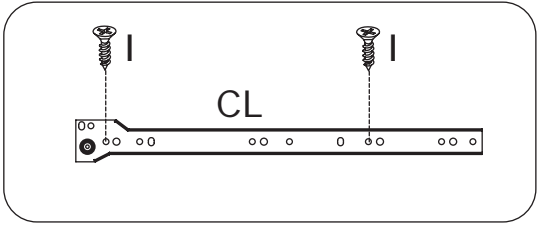
20



As shown, screw the self-tapping rod (A) into Panel 30 and Panel 31.

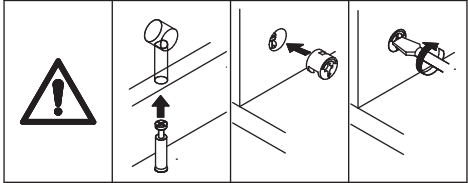
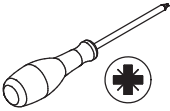


As shown, use screws (I) to fix guide rails CL and CR into Panels 30 and 31 respectively.

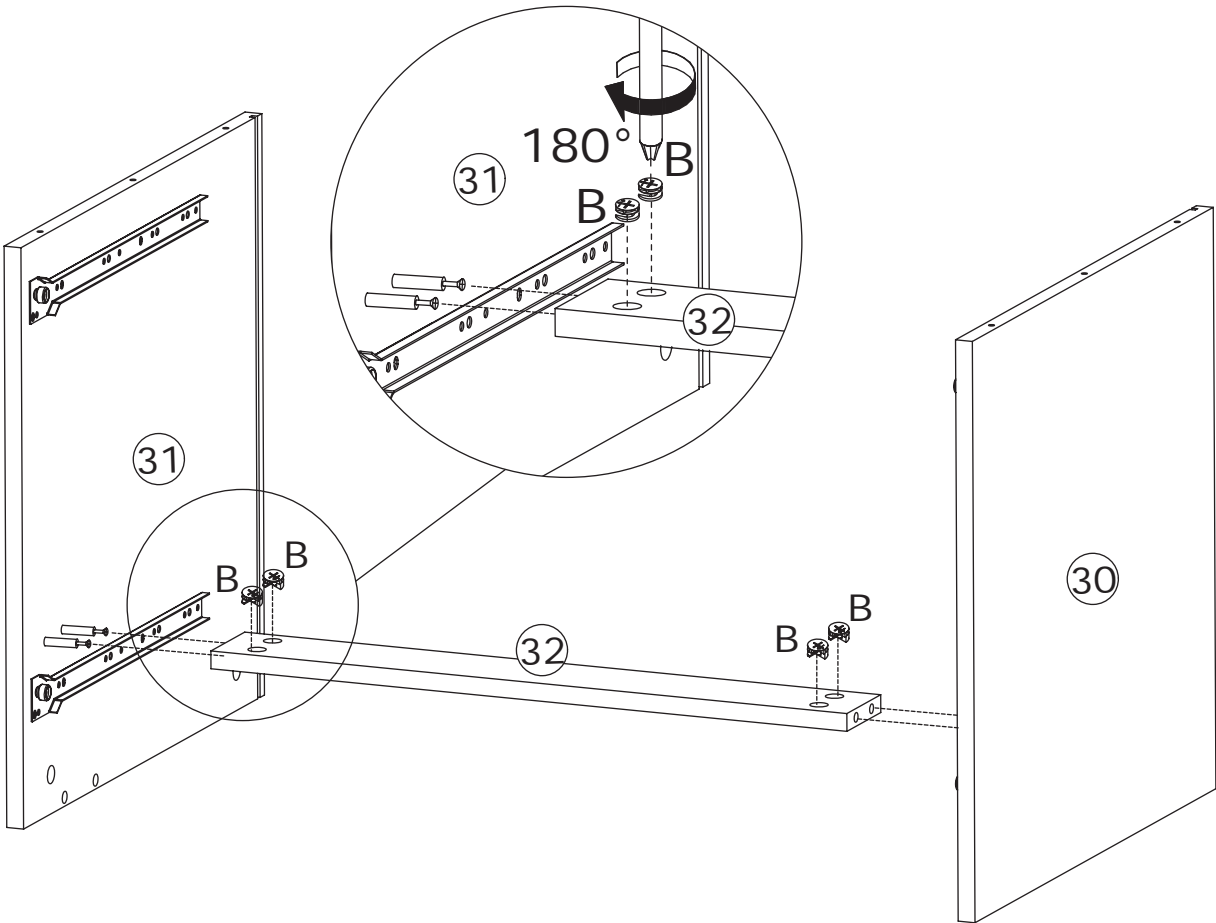


21

B x 4  
Ø 15 x 10 mm

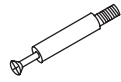


As shown, connect Panel 32 to Panels 30 and 31.  
Place the eccentric wheel (B) into Panel 32 and rotate it clockwise to tighten.



# 22

A x 4



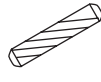
M6 x 40 mm

B x 4

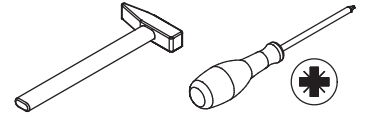


Ø15 x 10 mm

F x 2



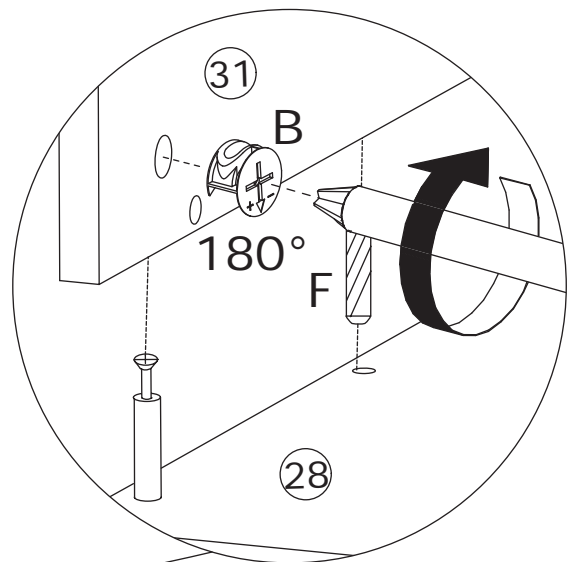
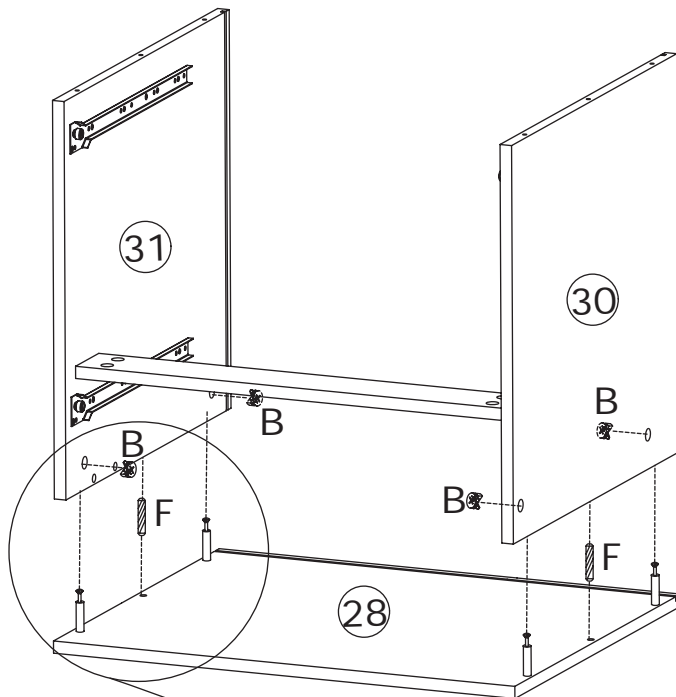
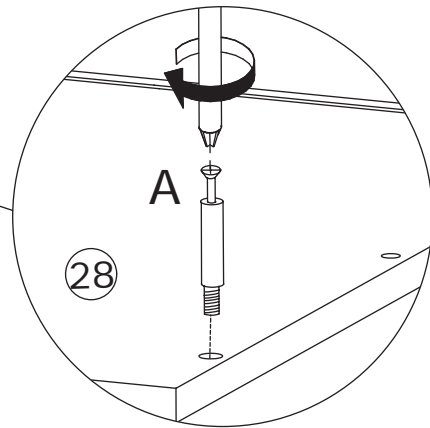
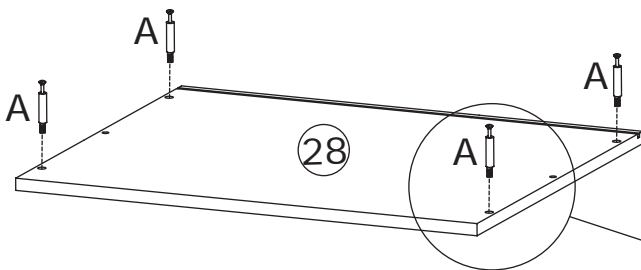
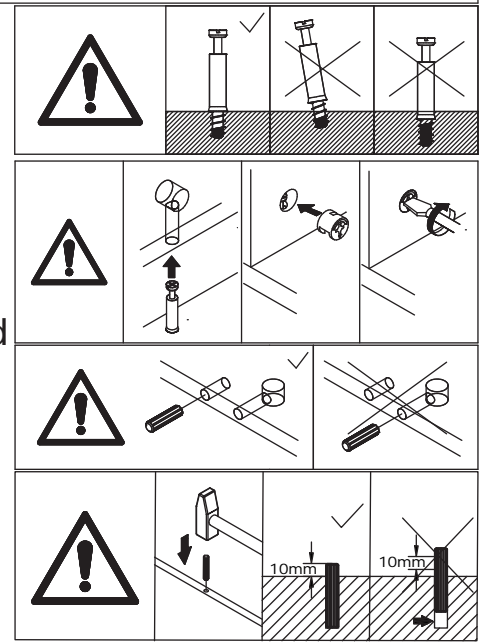
Ø8 x 35 mm



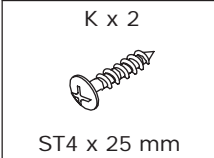
As shown, screw the self-tapping rod (A) into Panel 28.

As shown, use wooden dowel (F) to connect Panel 28 to Panels 30 and 31.

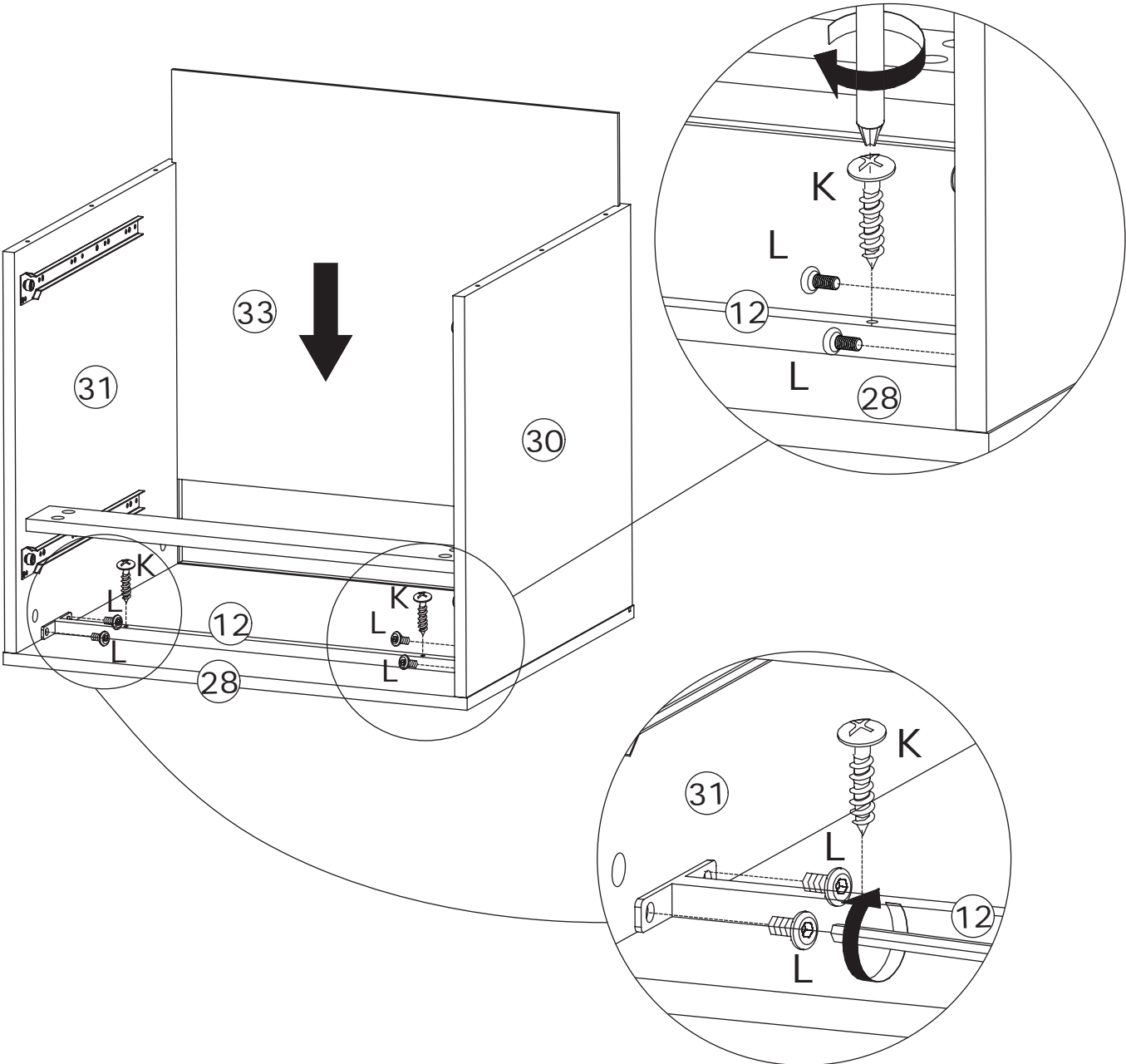
Insert the eccentric wheel (B) into Panels 30 and 31, then rotate it clockwise to tighten.



23

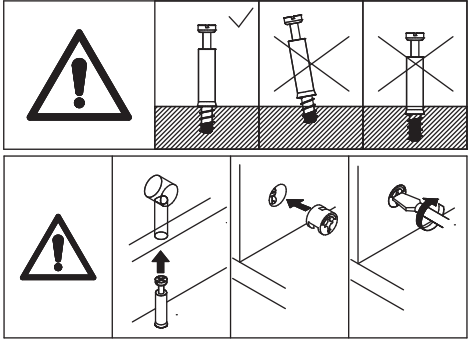
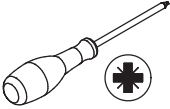


As shown, insert Panel 33.

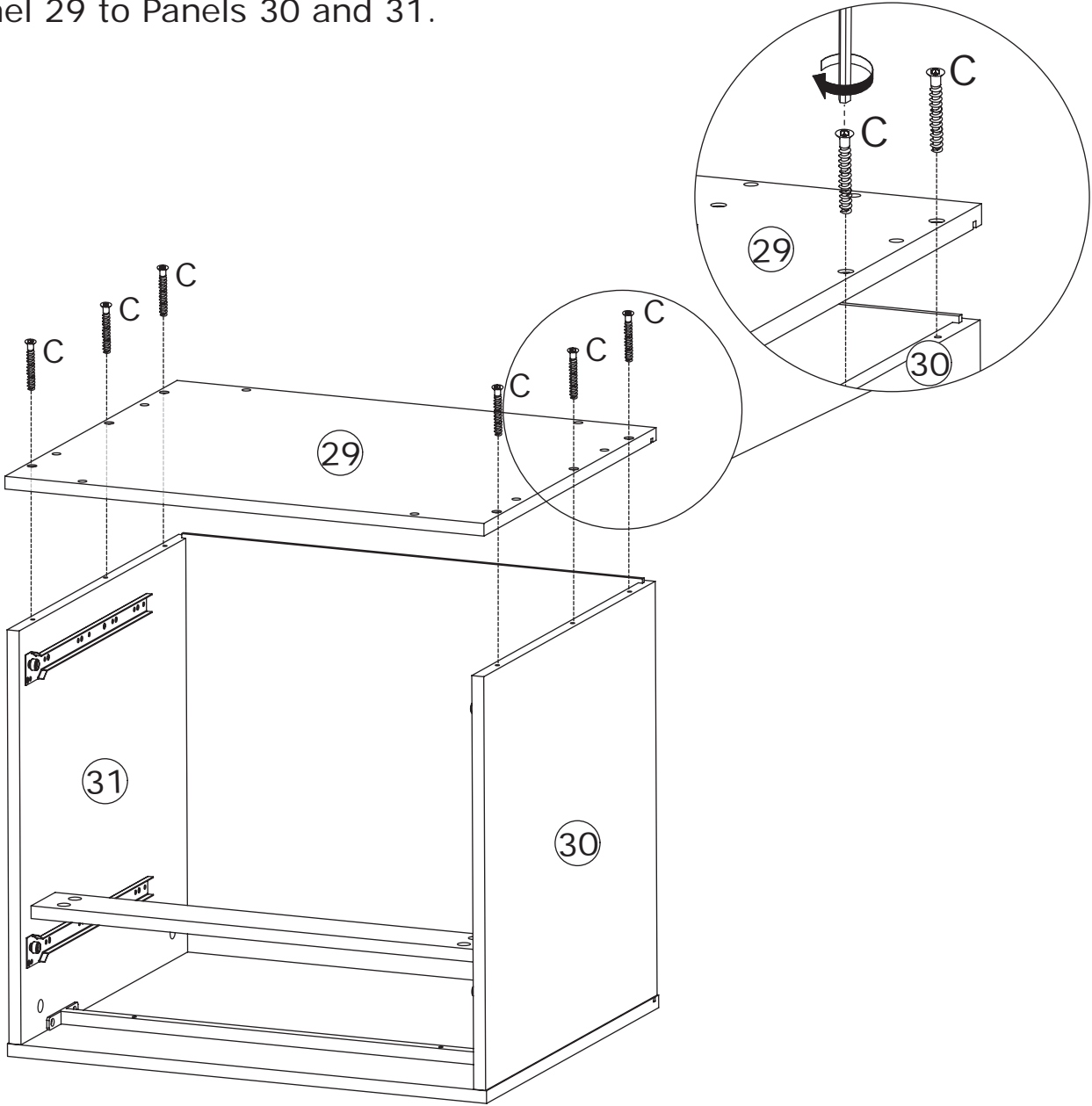


24

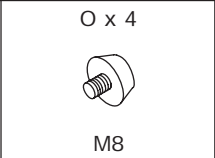
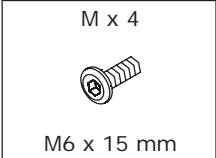
C x 6  
ST5 x 40 mm



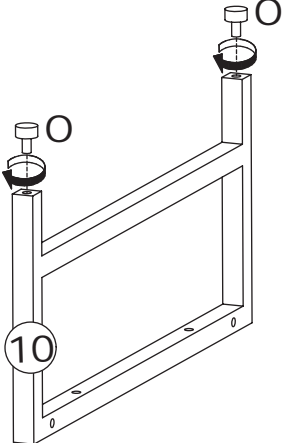
As shown, use through-bolts (C) to secure Panel 29 to Panels 30 and 31.



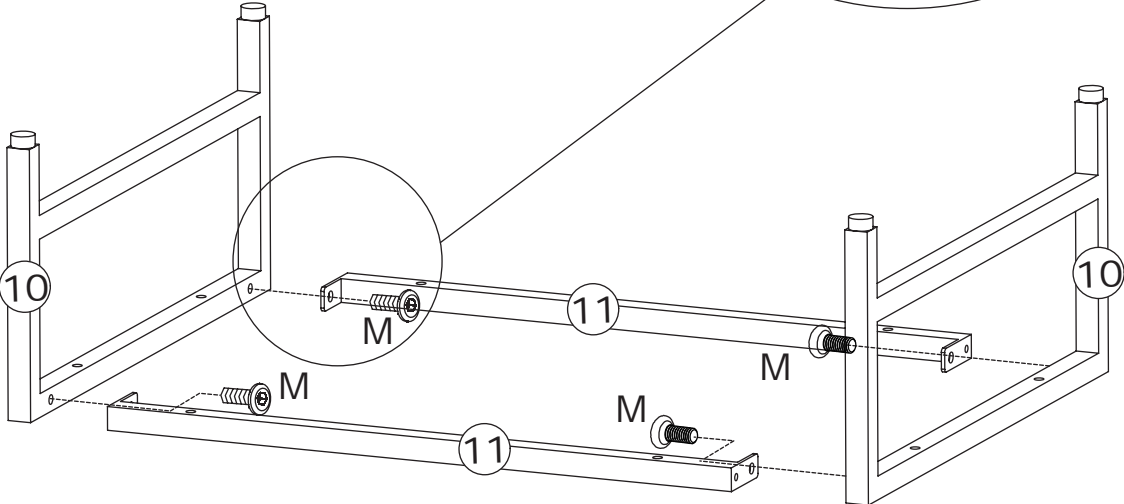
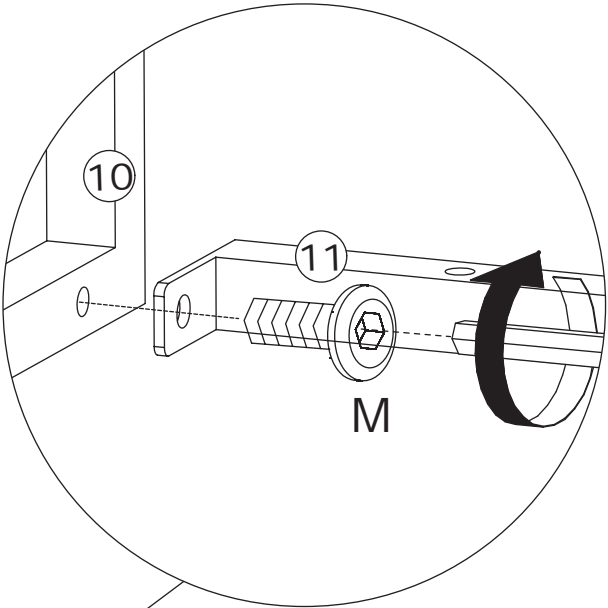
25



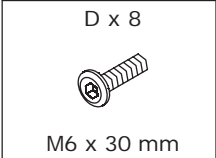
As shown, use screws (M) to connect Parts 10 and 11.



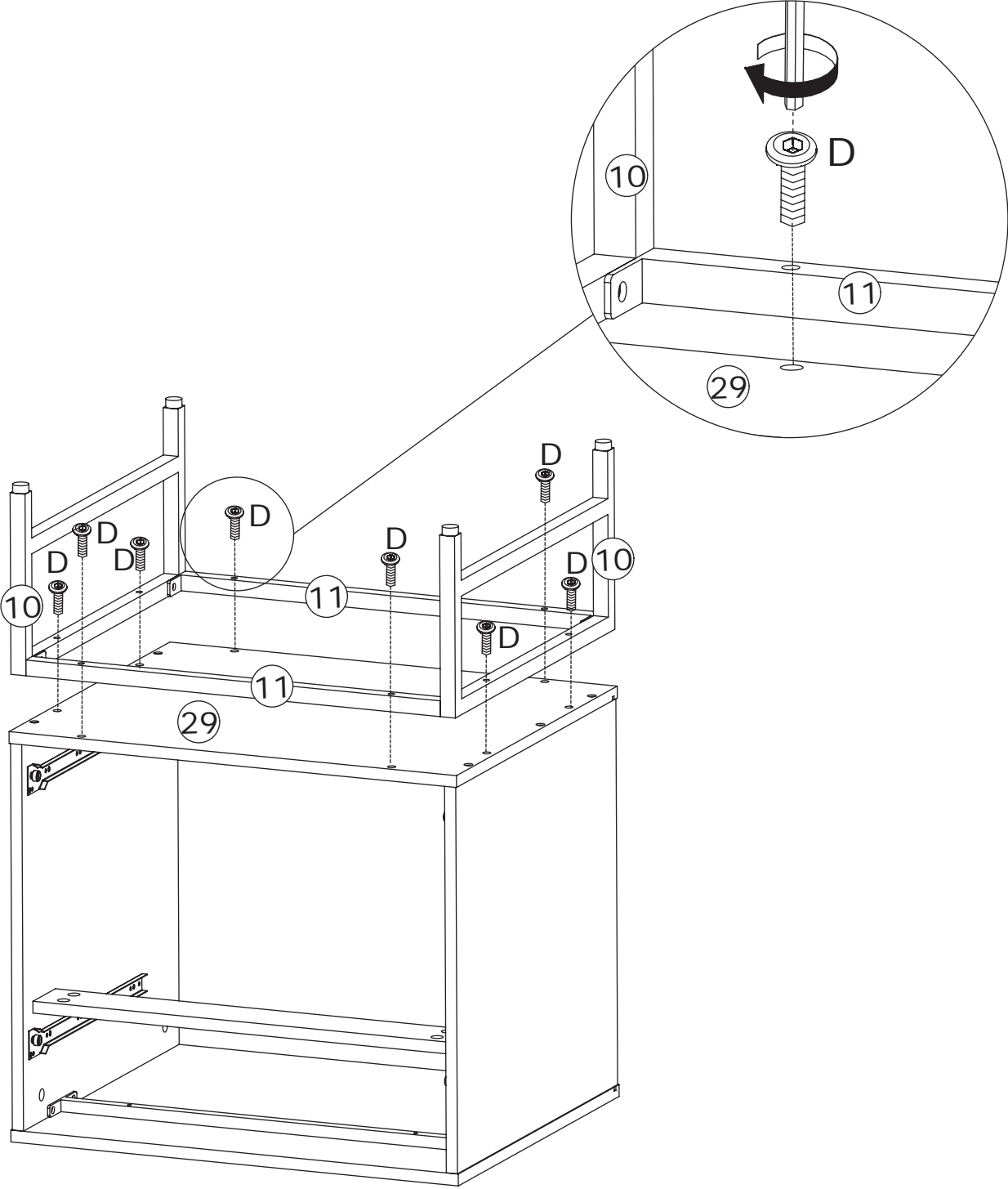
x2



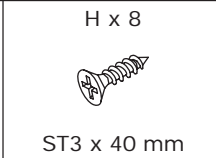
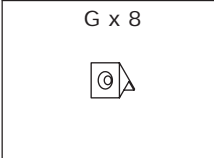
26



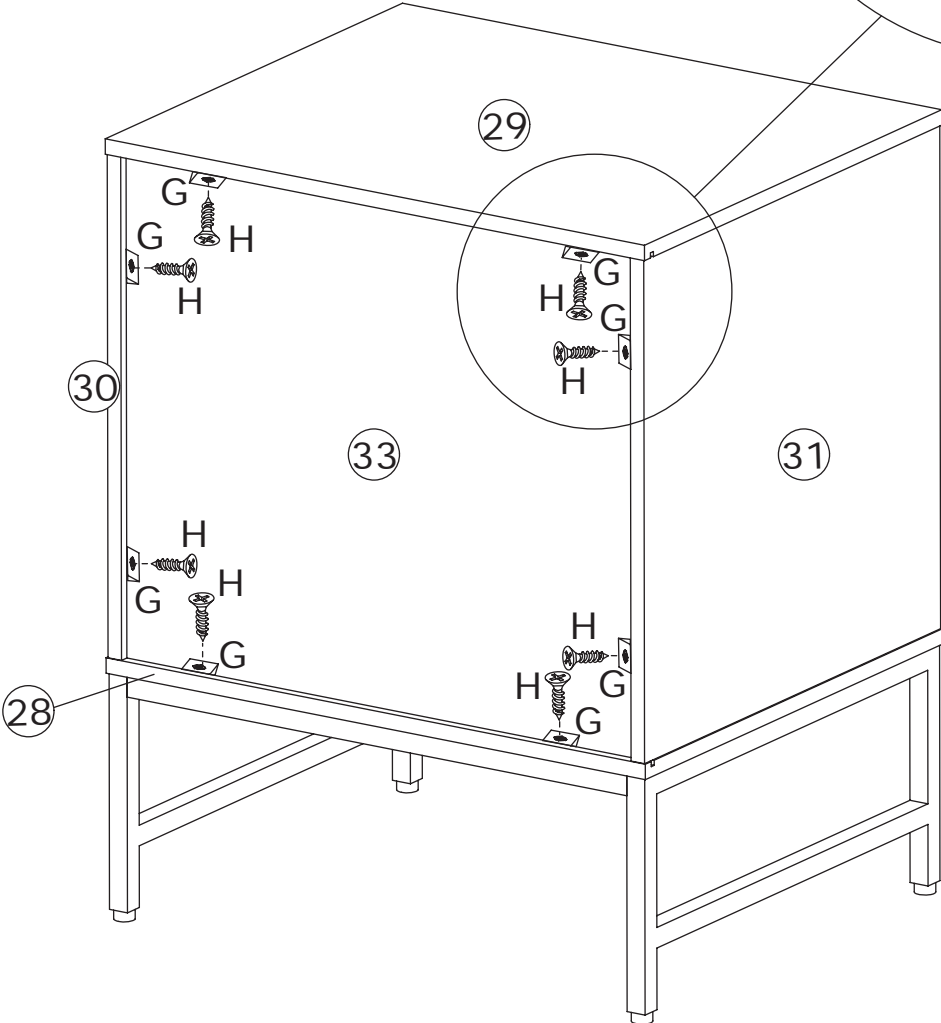
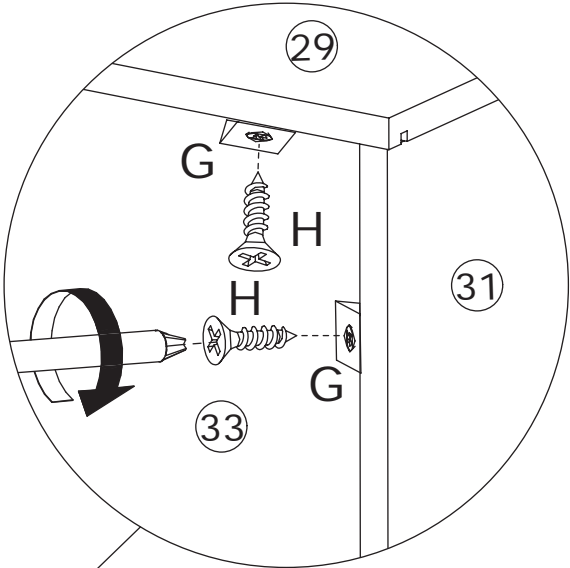
As shown, use screws (D) to secure Parts 10 and 11 to Panel 29.



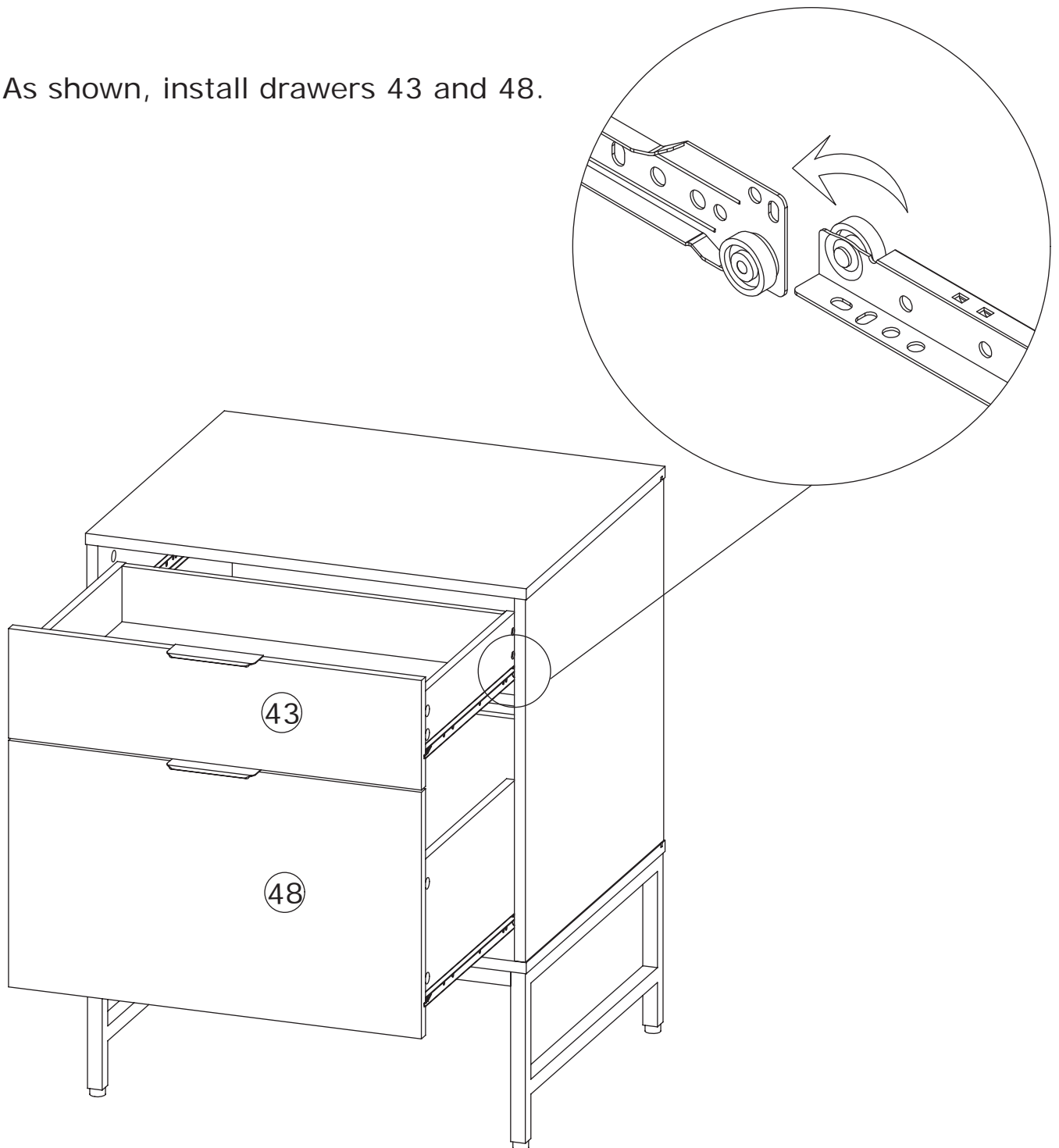
27



As shown, use screws (H) to fasten the fitting (G) inside the cabinet.

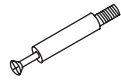


As shown, install drawers 43 and 48.



# 29

A x 9



M6 x 40 mm

B x 6

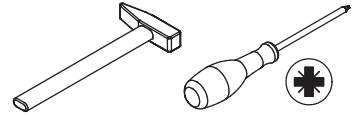


Ø15 x 10 mm

F x 3

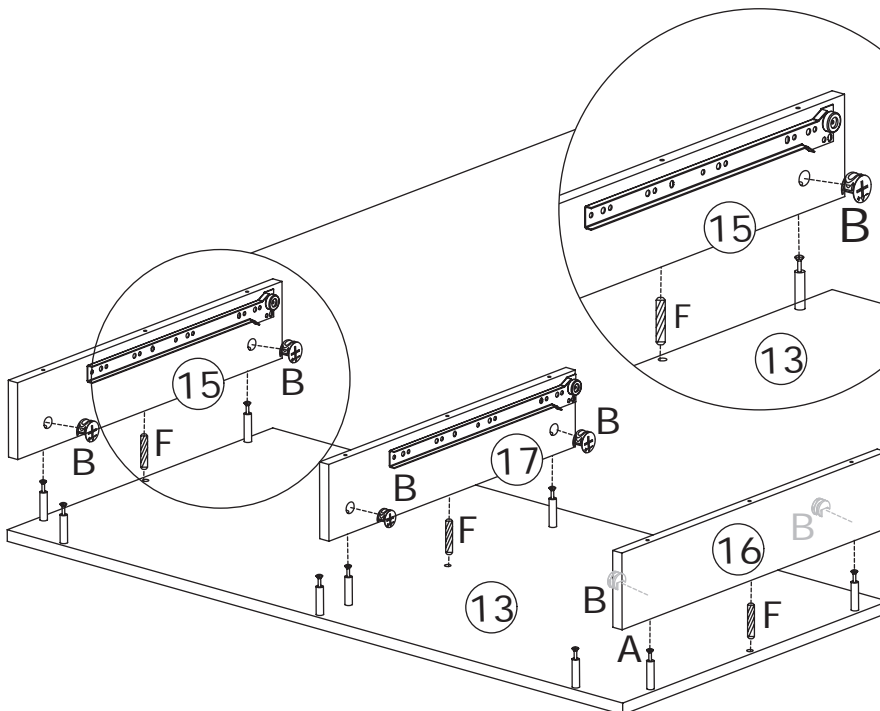
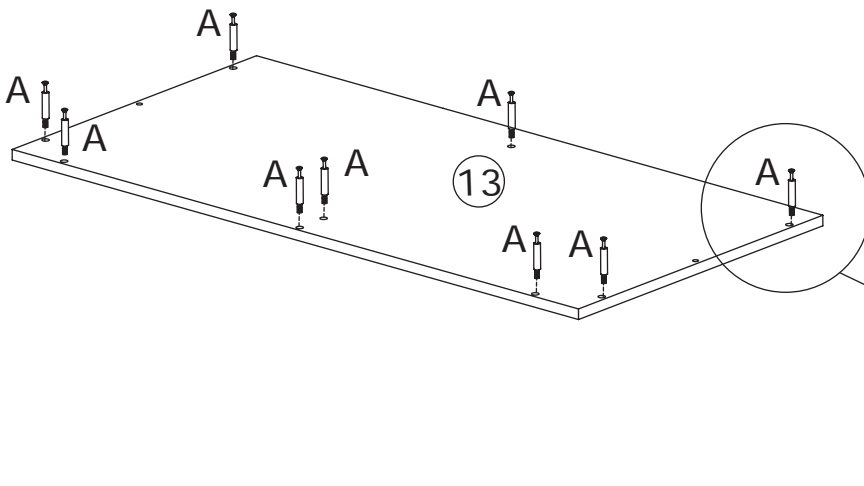
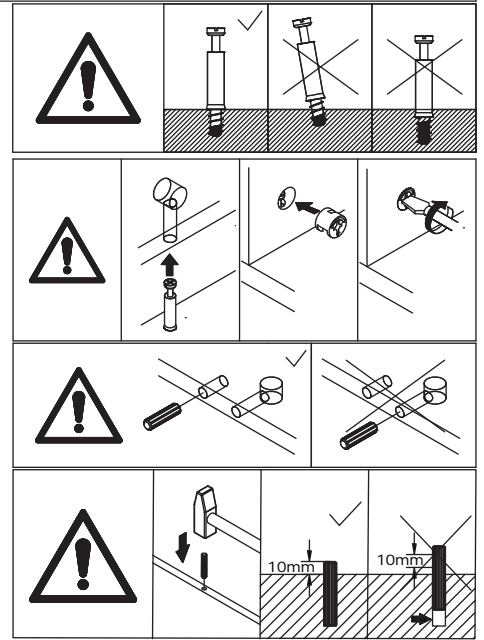


Ø8 x 35 mm



As shown, screw the self-tapping rod (A) into Panel 13.

As shown, connect Panel 13 to Panels 15, 16 and 17. Insert the eccentric wheel (B) into Panels 15, 16 and 17, then rotate it clockwise to tighten.

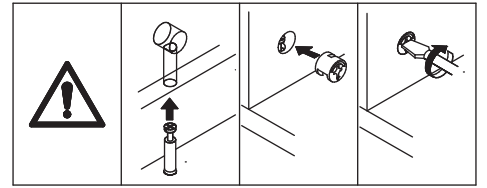
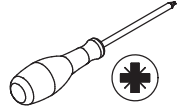


30

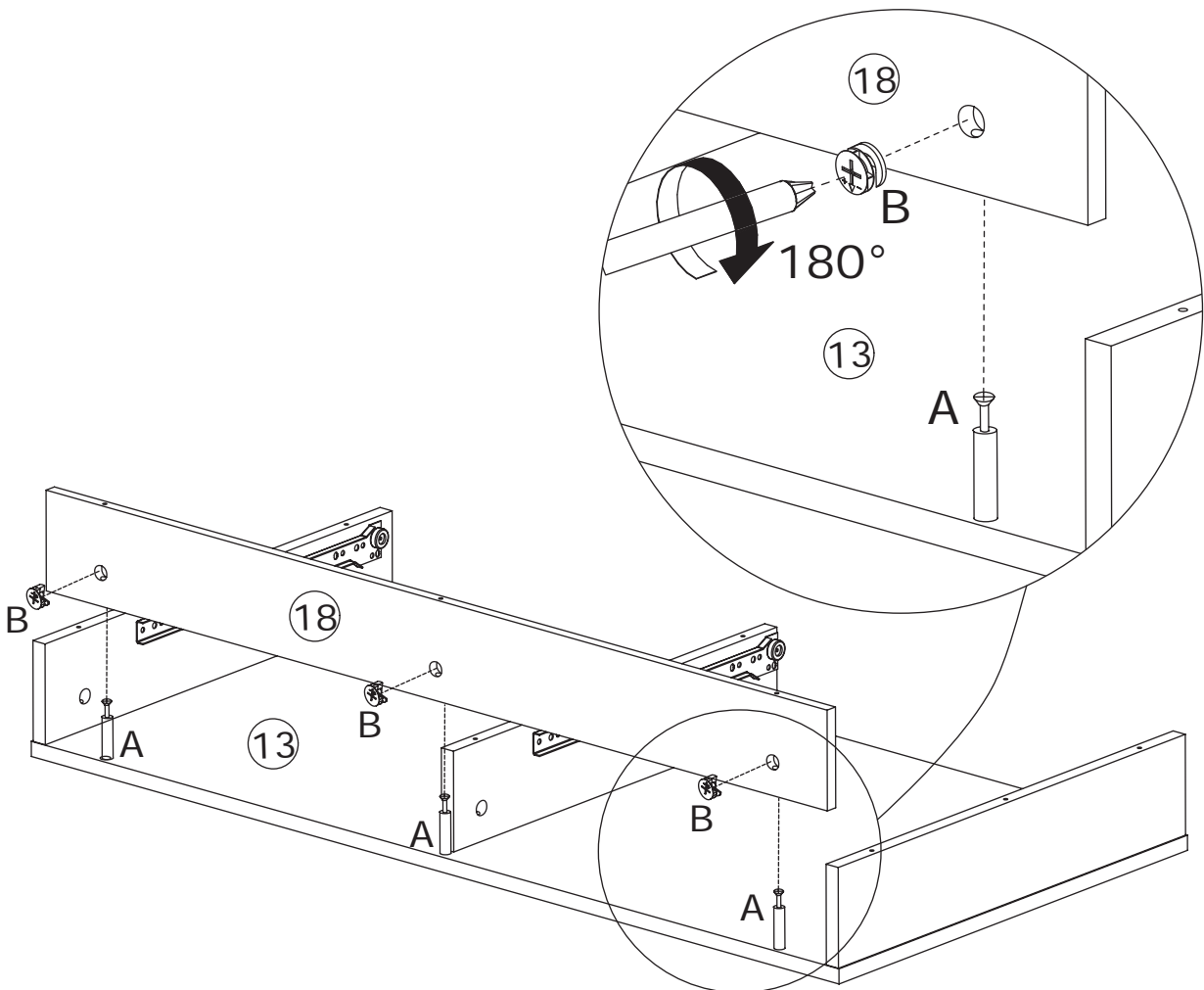
B x 3



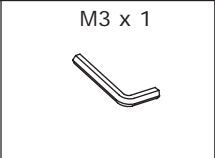
Ø 15 x 10 mm



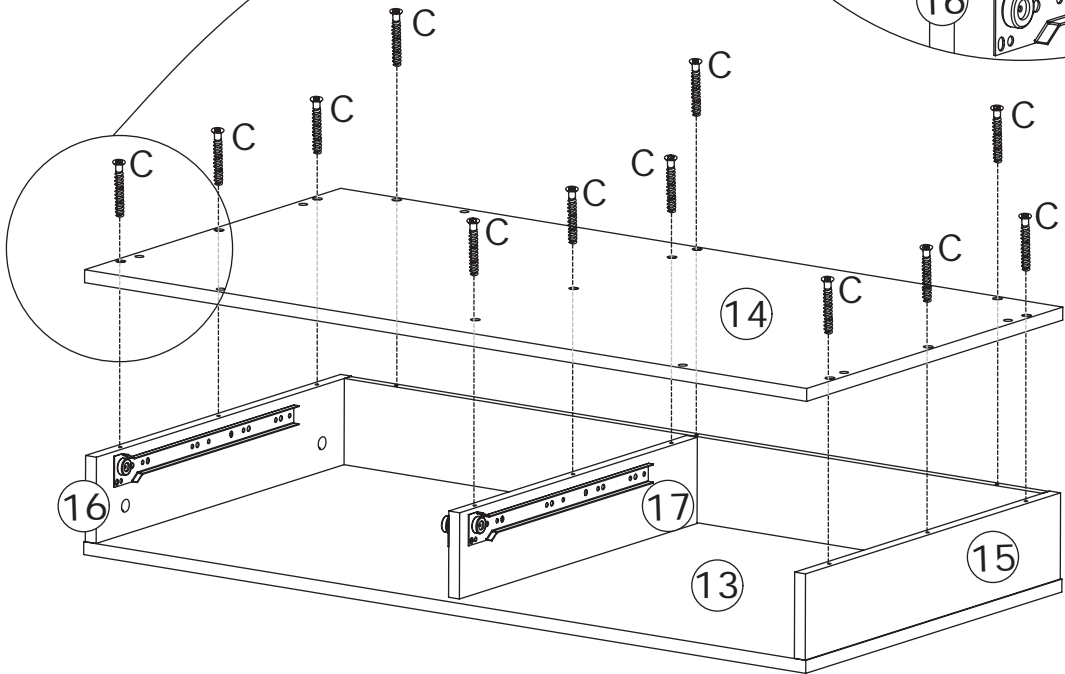
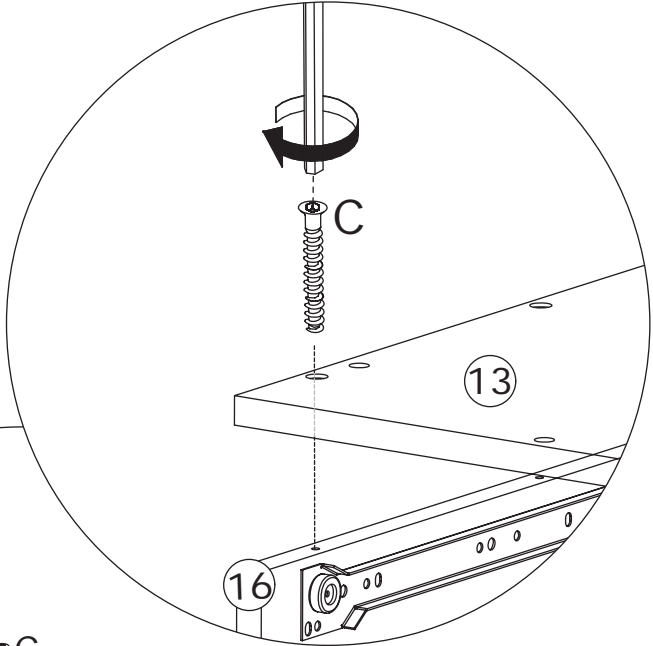
As shown, connect Panel 13 to Panel 18. Insert the eccentric wheel (B) into Panel 18 and rotate it clockwise to tighten.



31

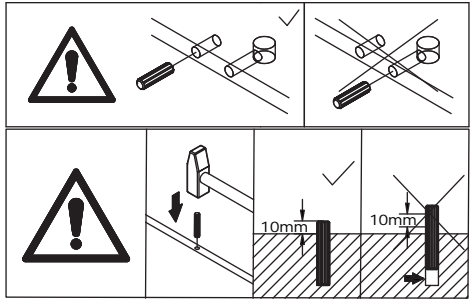
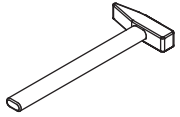


As shown, use through-bolts (C) to secure Panel 13 to Panels 15, 16 and 17.

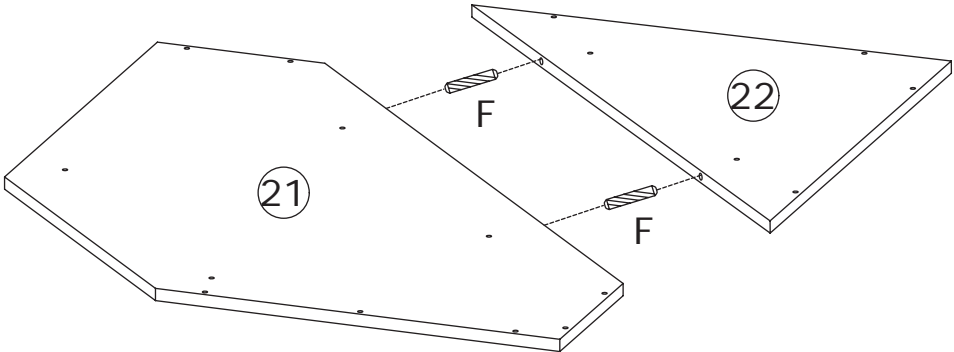
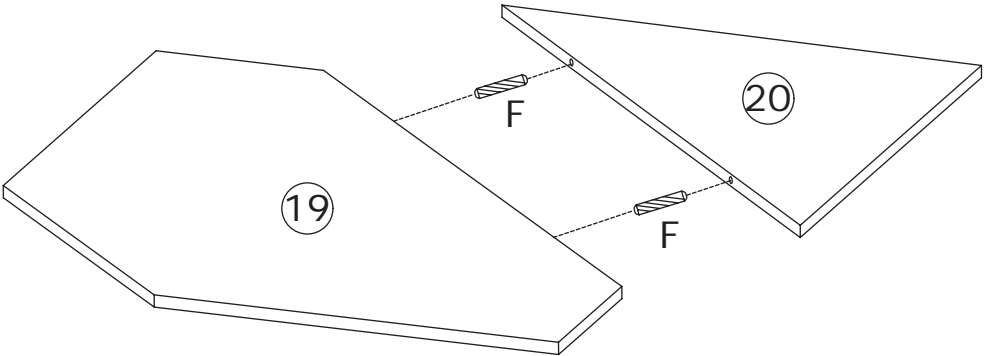


32

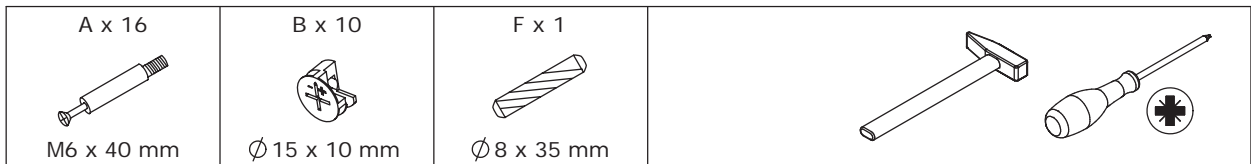
F x 4  
Ø8 x 35 mm



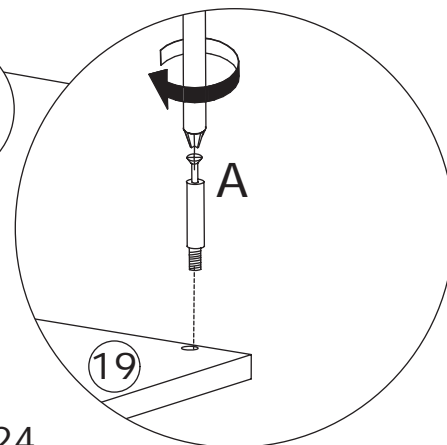
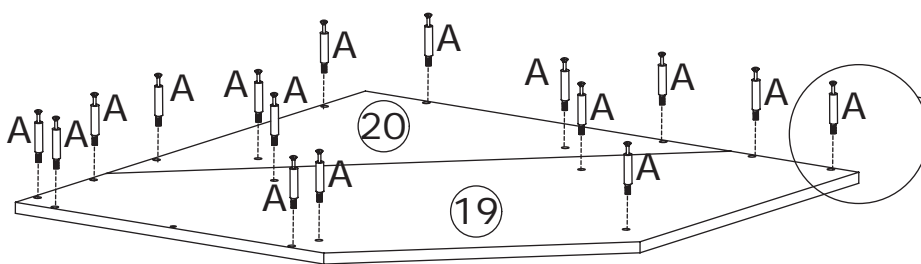
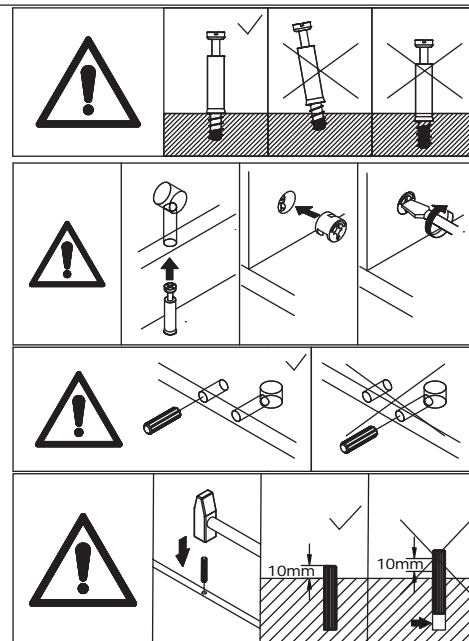
As shown, use wooden dowels (F) to connect Panel 19 and Panel 20, as well as Panel 21 and Panel 22.



33

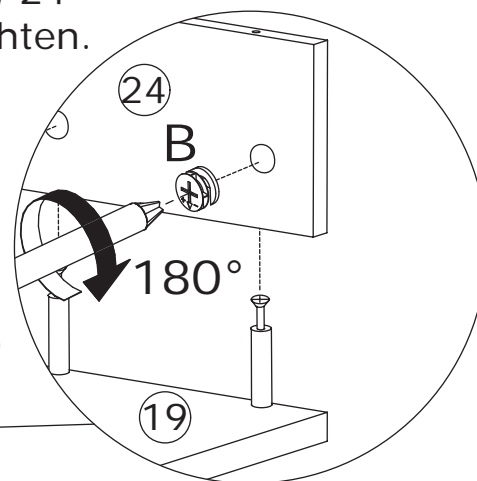
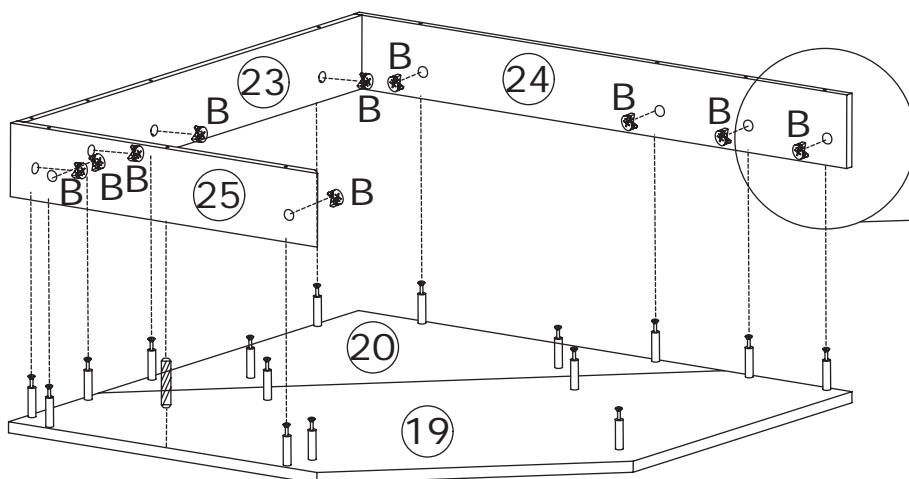


As shown, screw the self-tapping rod (A) into Panel 19 and 20.



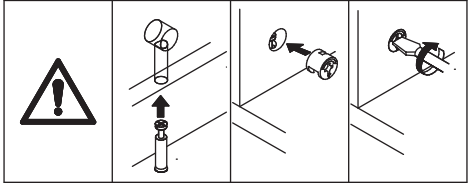
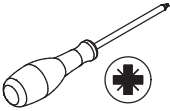
As shown, connect Panels 23, 24 and 25 to Panels 19 and 20 respectively.

Insert the eccentric wheels (B) into Panels 23, 24 and 25, and then rotate them clockwise to tighten.

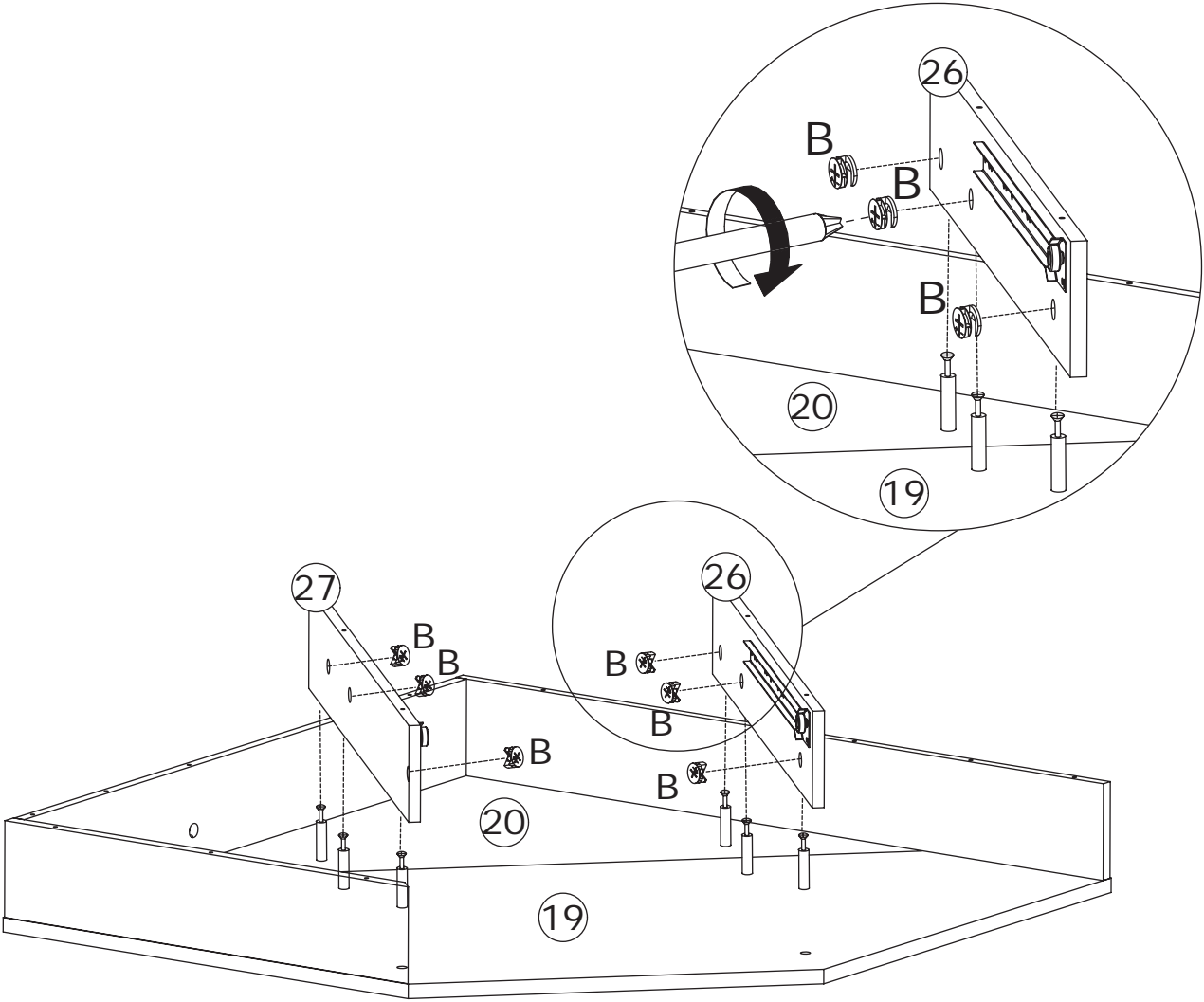


34

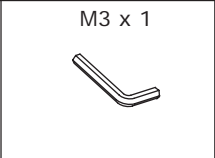
B x 6  
Ø 15 x 10 mm



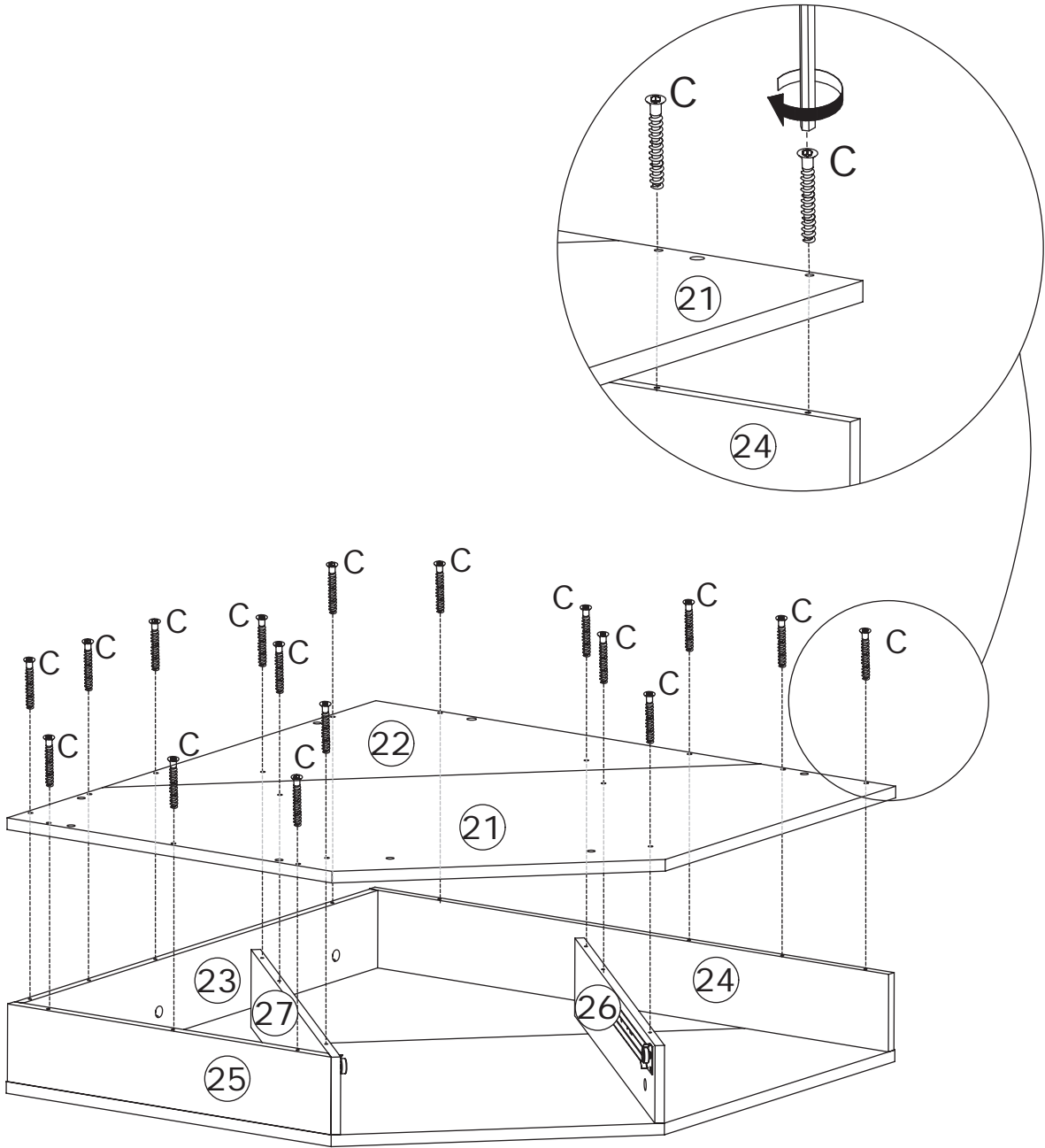
As shown, connect Panels 26 and 27 to Panels 19 and 20 respectively. Insert the eccentric wheel (B) into Panels 26 and 27, and then rotate it clockwise to tighten.



35



As shown, use through-bolts (C) to secure Panel 21,22 to Panels 23,24,25,26 and 27.



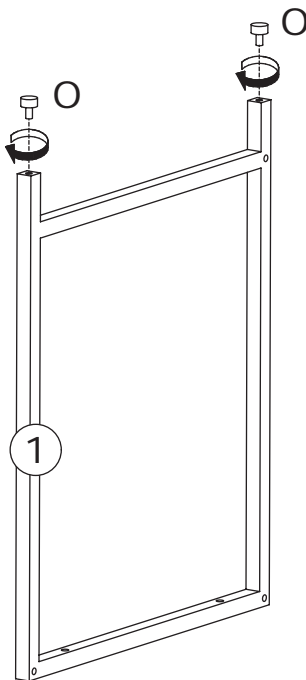
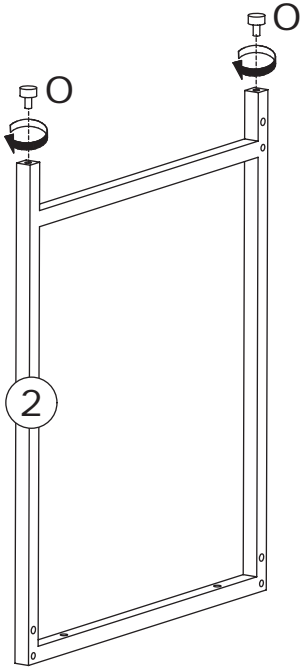
36

O x 7



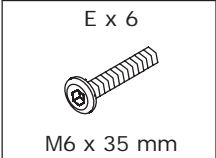
M8

As shown, rotate the fitting (O) clockwise to tighten it in Parts 1, 2 and 54.

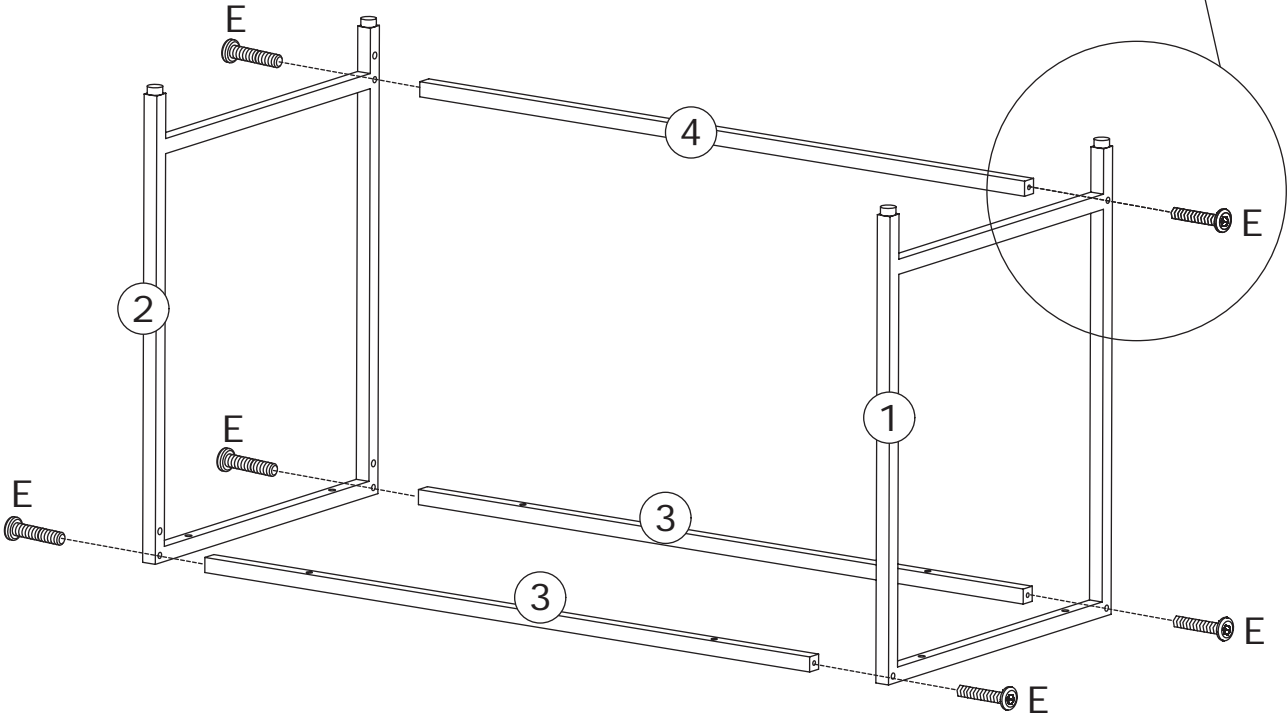
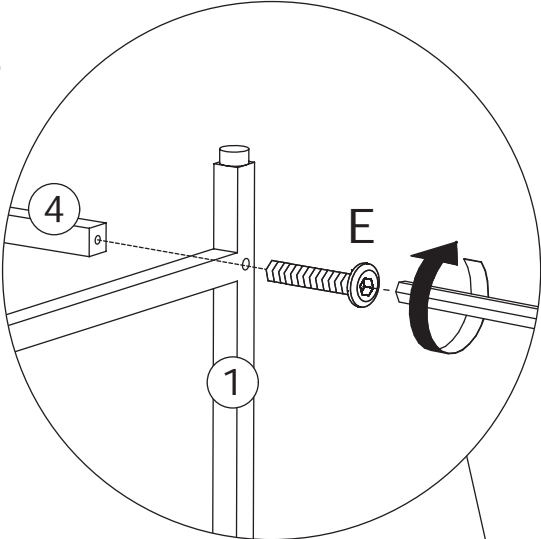


x2

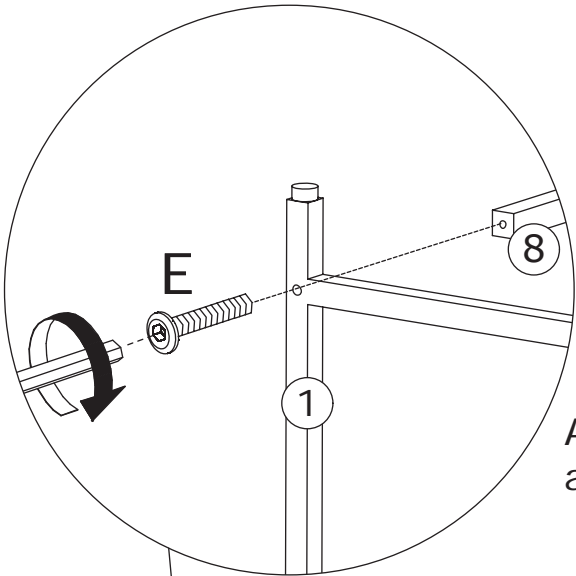
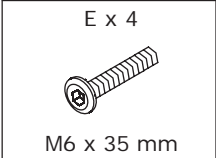
37



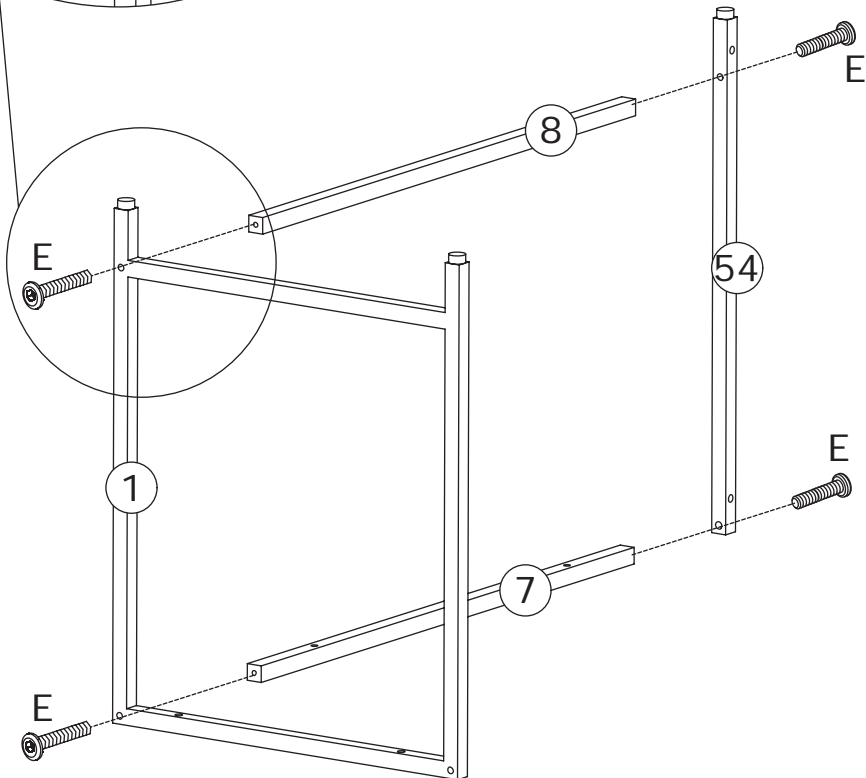
As shown, use screws (E) to fix Parts 3 and 4 together with Parts 1 and 2.





38



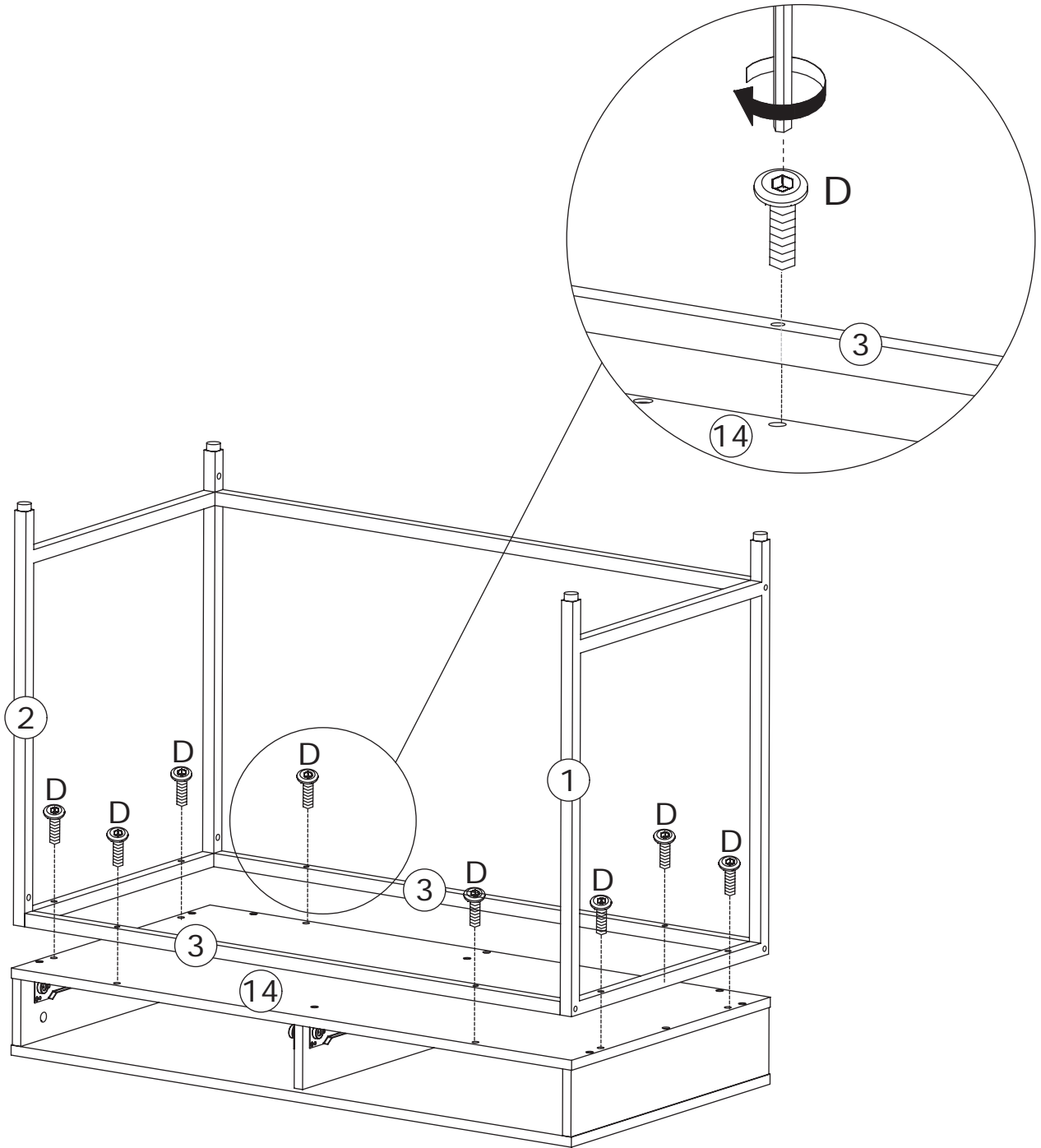
As shown, use screws (E) to fix Parts 7 and 8 together with Parts 1 and 54.



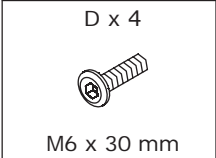
39

<p>D x 8</p>  <p>M6 x 30 mm</p>	<p>M4 x 1</p> 	
--	---	--

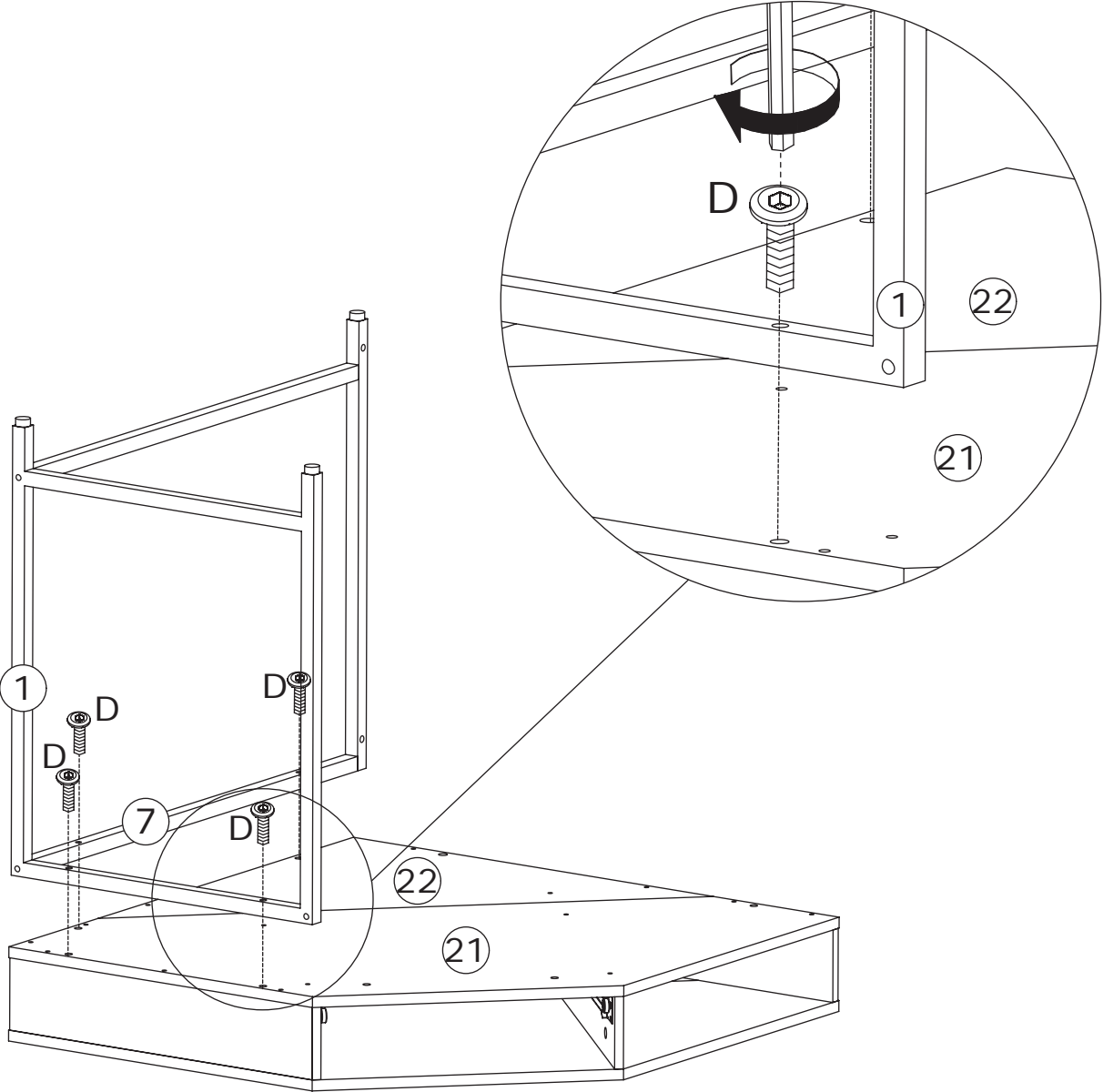
As shown, use screws (D) to secure Parts 1, 2 and 3 to Panel 14.




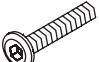



40

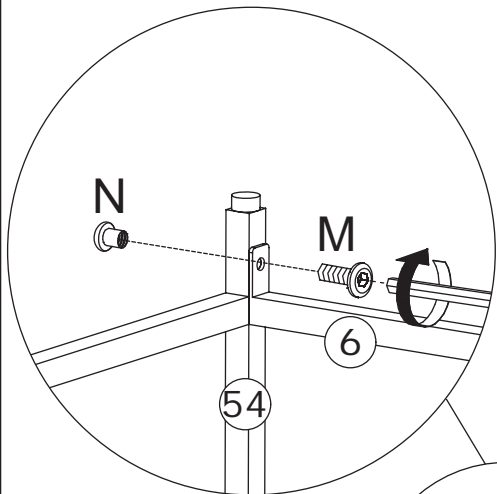


As shown, use screws (D) to secure Parts 1 and 7 to Panel 21 and 22.



41

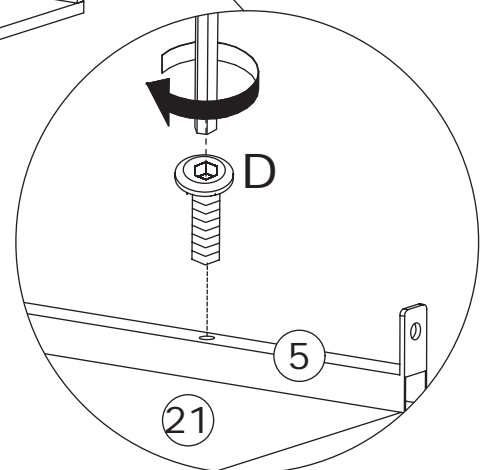
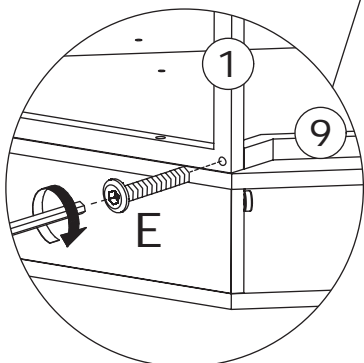
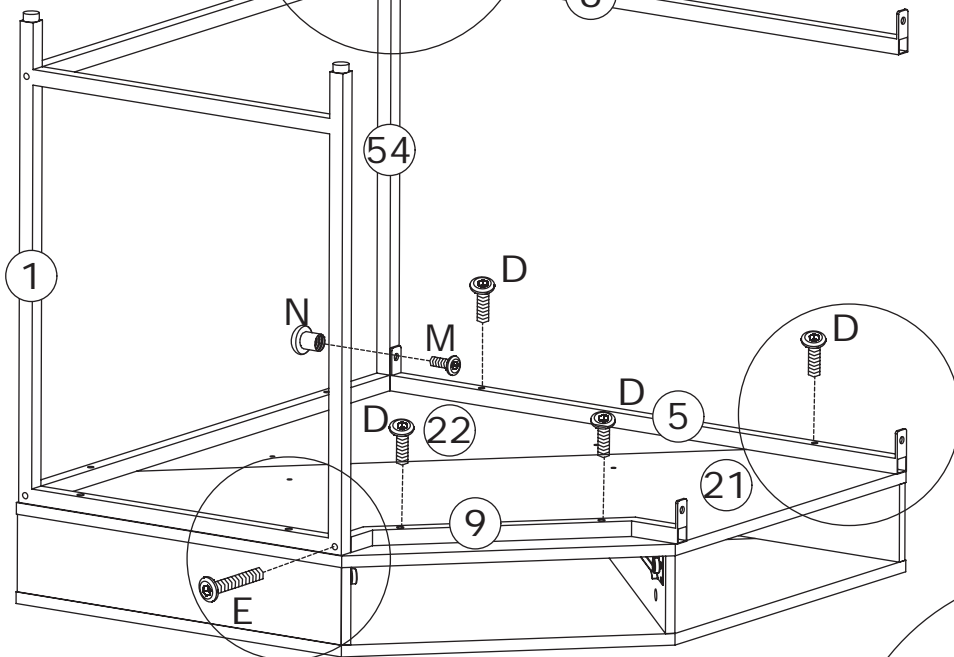
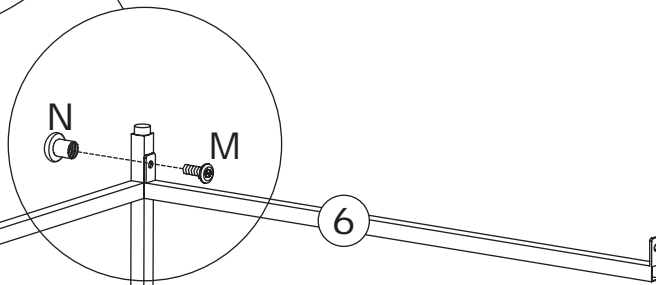
D x 4  M6 x 30 mm	E x 1  M6 x 35 mm	M x 2  M6 x 15 mm	N x 2  M6	M4 x 1 	
--	--	--	---	---	--






As shown, use screws (M) and nuts (N) to fix Parts 5 and 6 in Part 54.

As shown, use screws (E) to fasten Part 9 to Part 1.

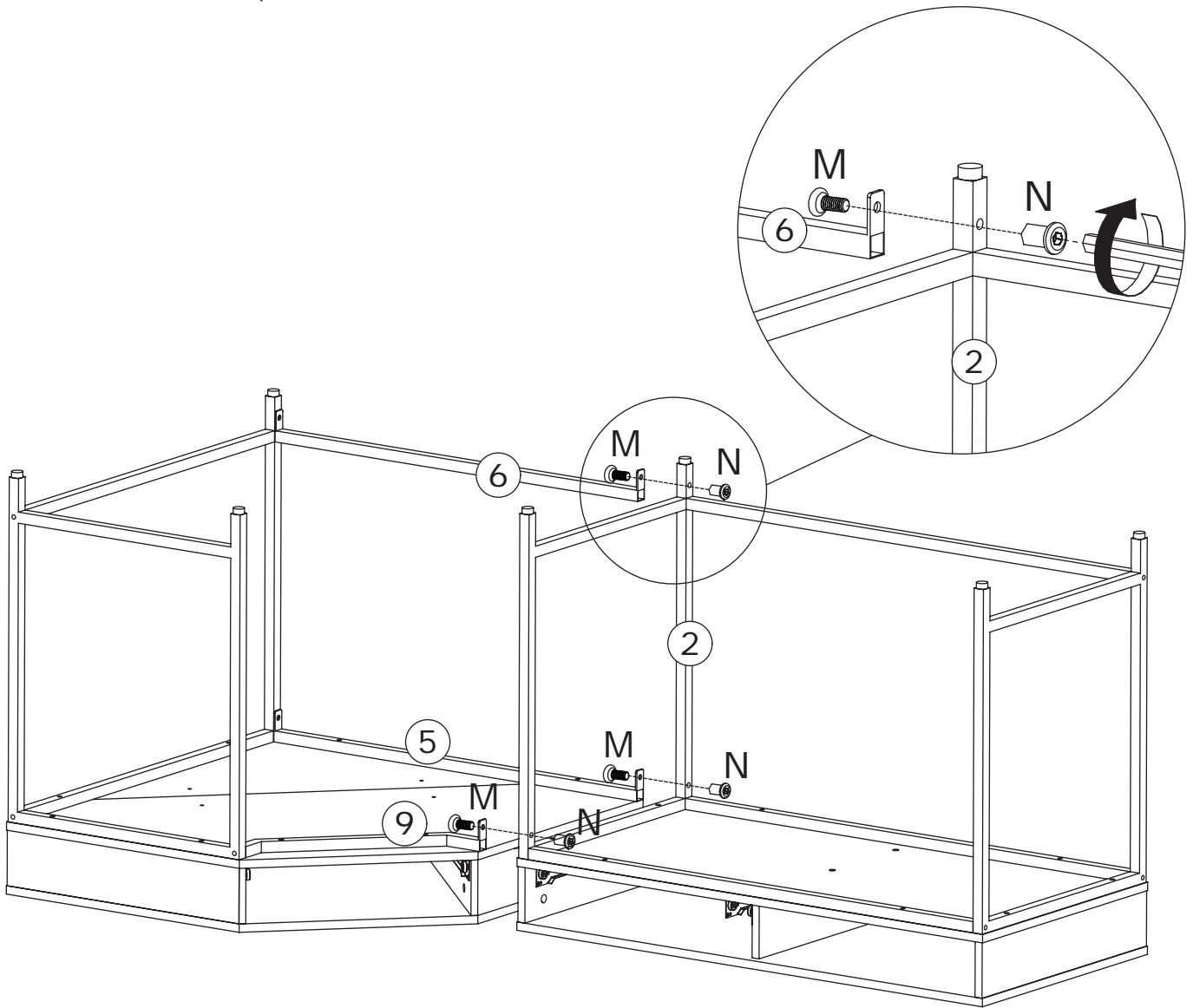
As shown, use screws (D) to fix Parts 5 and 9 to Panels 21 and 22.



42

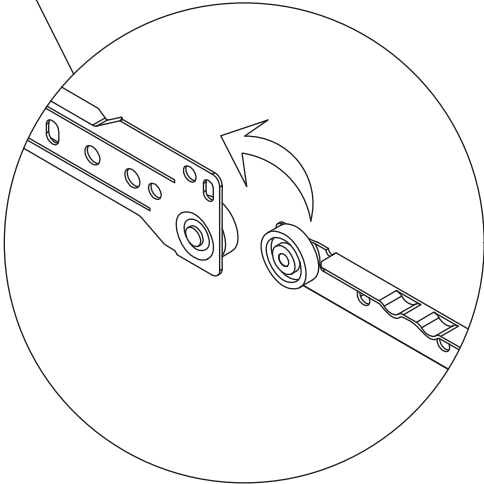
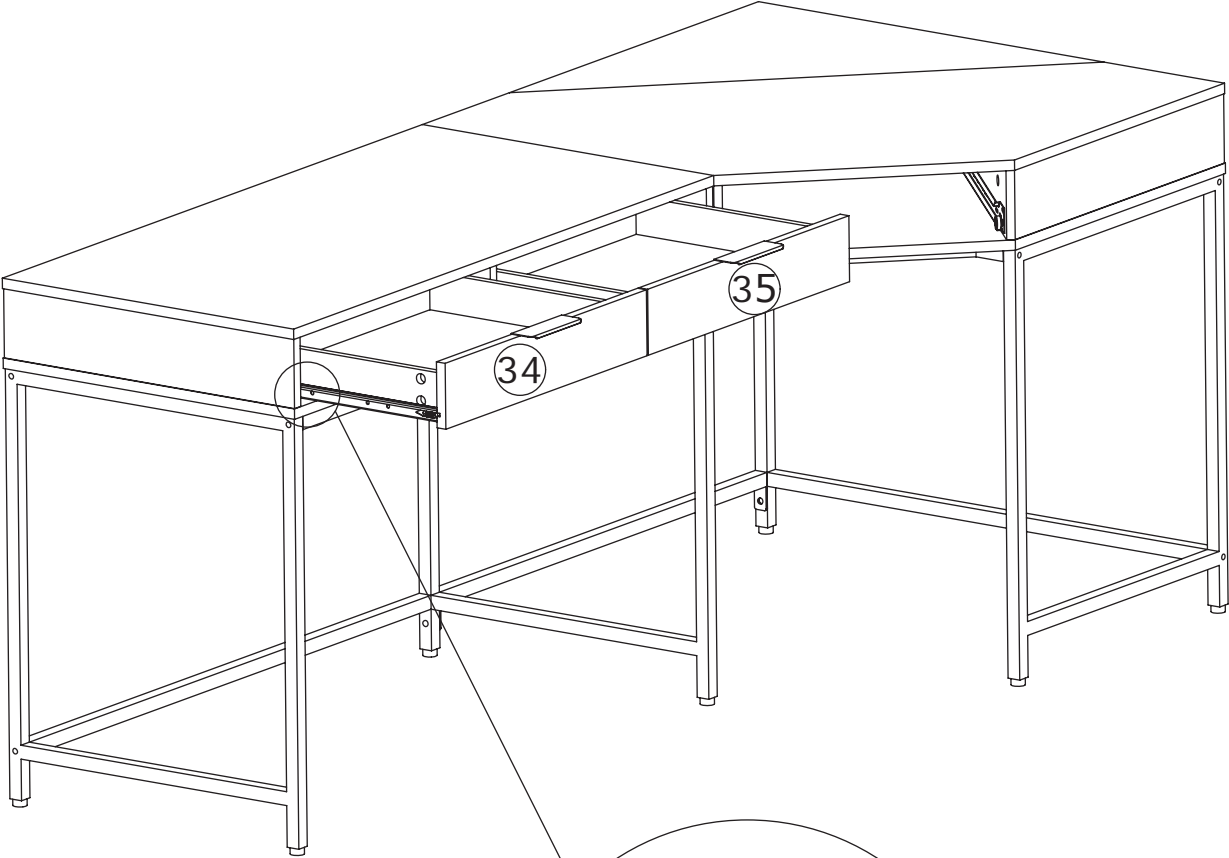
M x 3  M6 x 15 mm	N x 3  M6	M4 x 1 	
--	--	---	--

As shown, use screws (M) and nuts (N) to secure Parts 5, 6 and 9 to Part 2.



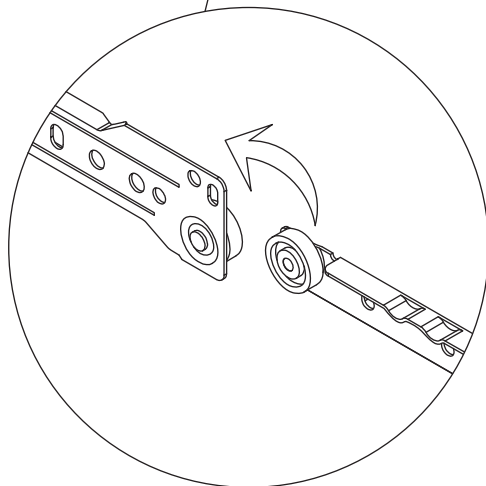
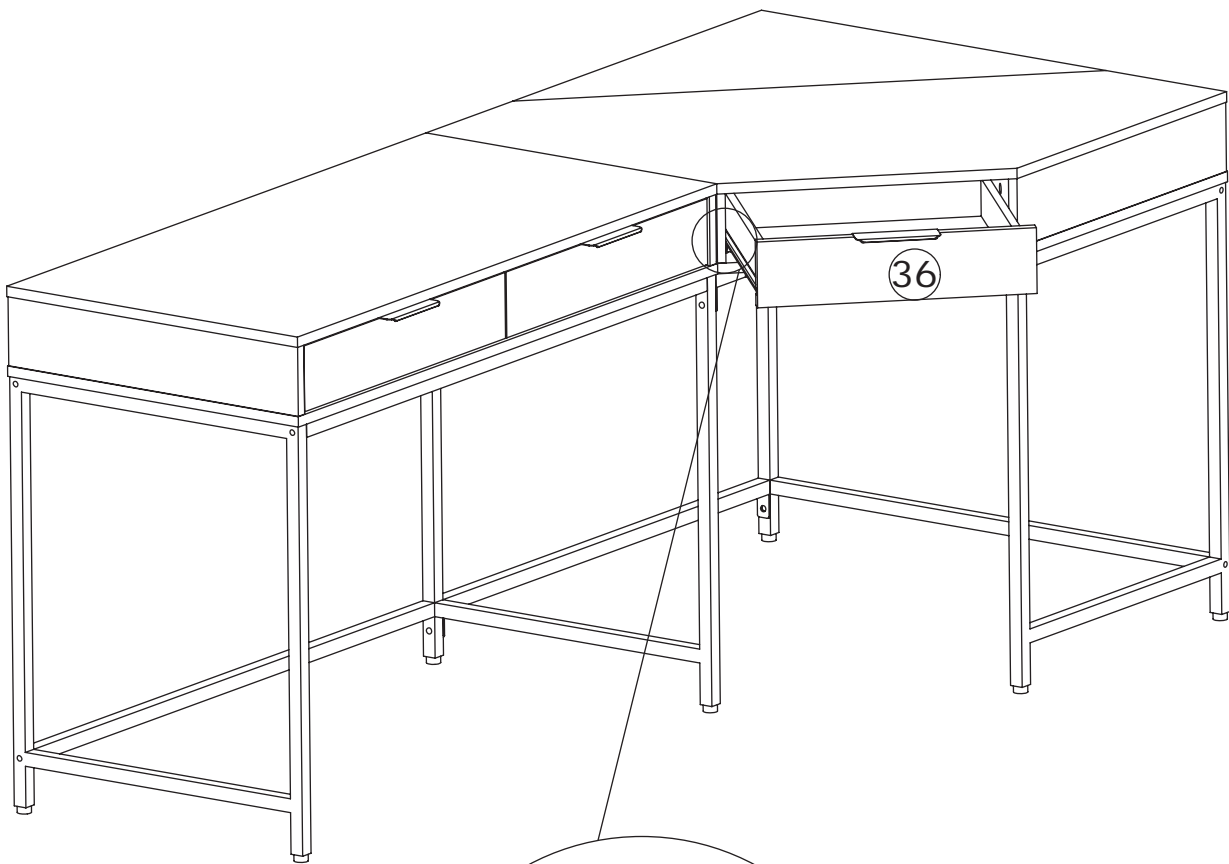
43

As shown, install drawers 34 and 35.

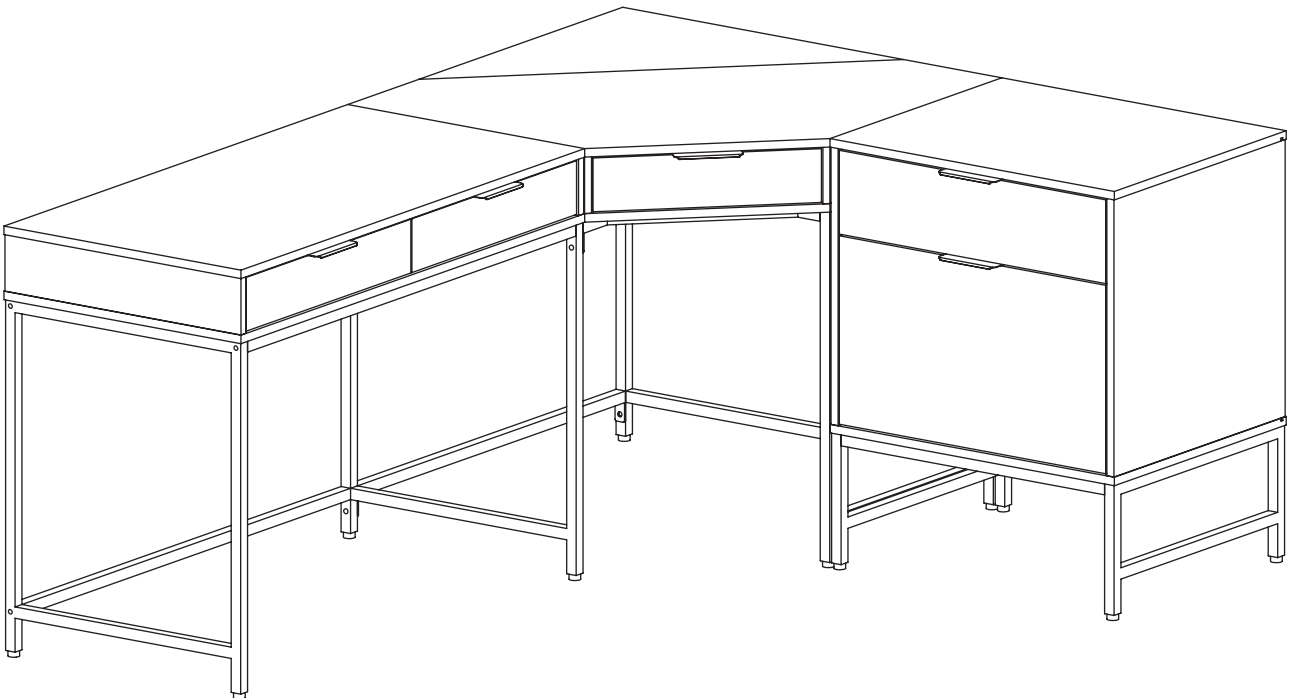


44

As shown, install drawers 36.



45



# WARRANTY

## WARRANTY CLAIMS

- There is a 30-day warranty for broken furniture or any other problems that do not work properly. The warranty will start from the date of purchase which must be verified by proof of purchase.
- Before making a claim, we may be able to answer your query, simply call us. Please leave your purchase order number, along with some details of the problem, if you want a replacement part. We will arrange within 48 hours. If there is out of stock, we will reply with a shipping date.
- The product must be used in accordance with the instructions provided. For health reasons.
- For other reasons, if the furniture needs to be returned, it must be cleaned and dried and operated within 30 days of receipt.

## Type of Warranty Claim

- Failure to follow the furniture instructions will invalidate the warranty. Attention please.
- Does not include damage during installation, but includes damage during transportation.

## Scope of responsibility

- Shall not bear any responsibility for misuse or user damage and / or loss of parts during the installation of furniture.
- After using, the damage and scratches of the furniture are not covered by the warranty.

## The Warranty Relates to All Bought in The Us and Covers The Following Areas

- Sheet parts: 1 month from the date of purchase.
- Electrical parts: 1 month from the date of purchase.

# RETURNS

## CHANGED YOUR MIND AND NEED TO RETURN YOU ITEM?

### PLEASE FOLLOW THE BELOW INSTRUCTIONS:

- If you have purchased and have simply changed your mind, follow the retailer's instructions for returns.

### DEFECTIVE ITEMS

- If your item is defective in any way, i.e. it doesn't work but you can't identify why, in the first instance, please call us.

### DAMAGED ITEMS

- If you receive an order with obvious shipping damage from the retailer, then we suggest the delivery is refused. If the delivery has been accepted and then shipping damage is found, please follow the specific instructions advised by the retailer.  
In all circumstances please save all packaging material and paperwork for the order. Please be aware that if you dispose of packaging material or attempt to return the merchandise without contacting the fulfiller, you jeopardise your chances of making a claim, and you may not receive a credit for the return.