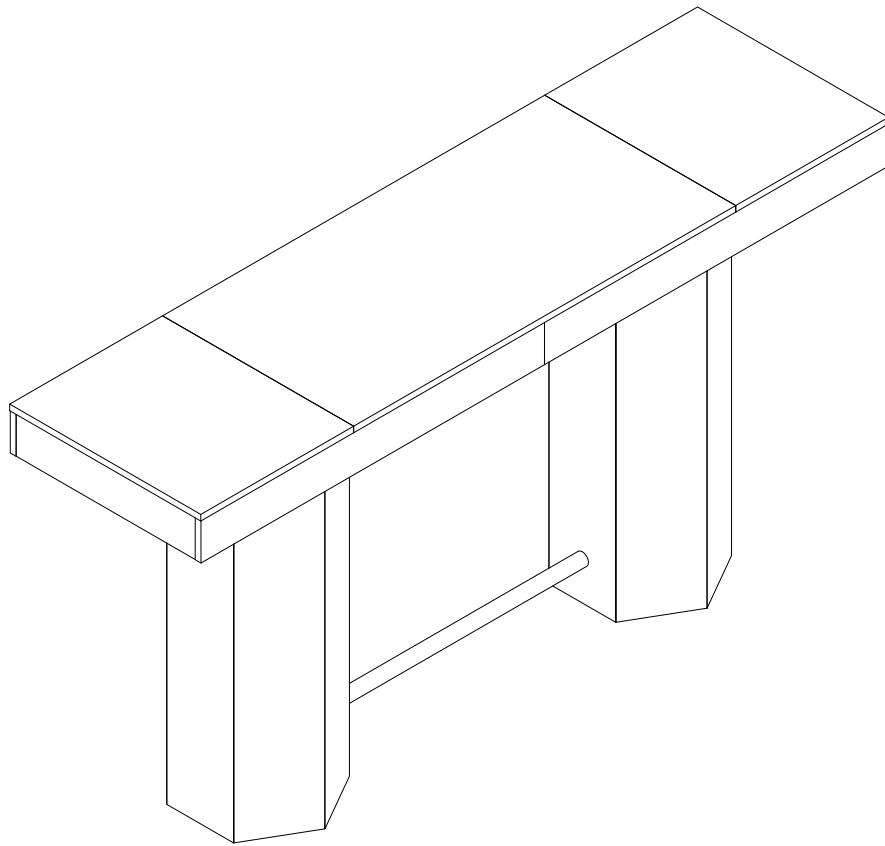


Assembly Instructions



Bar Table

Model No.
HOGA-JW1160

Contact Us

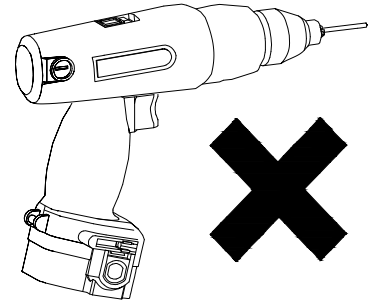
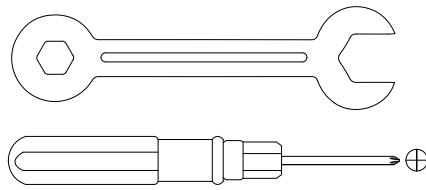
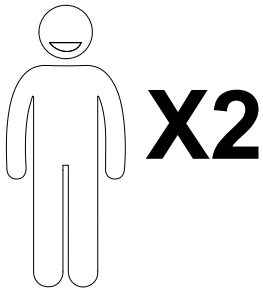
We're here to help you.



Your satisfaction is our top priority. If you encounter any issues with this product, such as missing or damaged parts, we're here to help. Please retain the original packaging and take photos of the packaging and the product, then contact us as soon as possible.

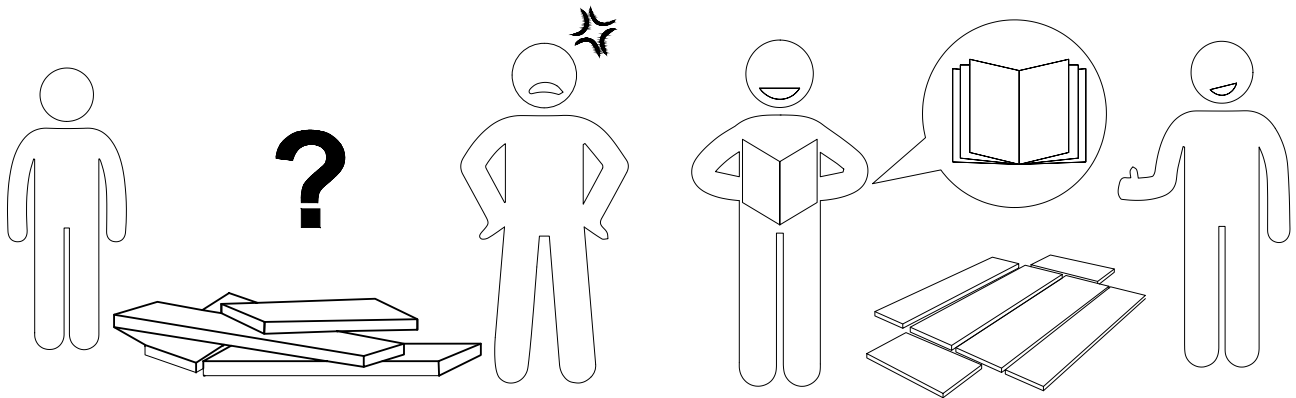
Warm Tips

1. Carefully read these instructions and keep them for future reference.
2. Check the parts list and confirm everything's there before starting assembly.
3. When assembling, put all parts on a soft, smooth surface like a carpet to avoid scratches.
4. Don't fully tighten screws until all parts are confirmed in place to avoid misalignment.



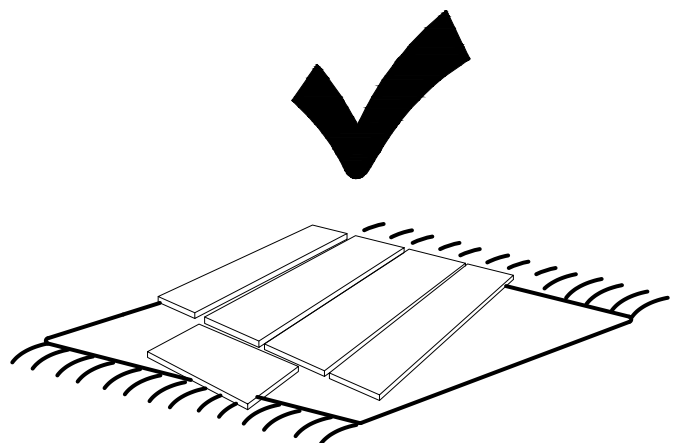
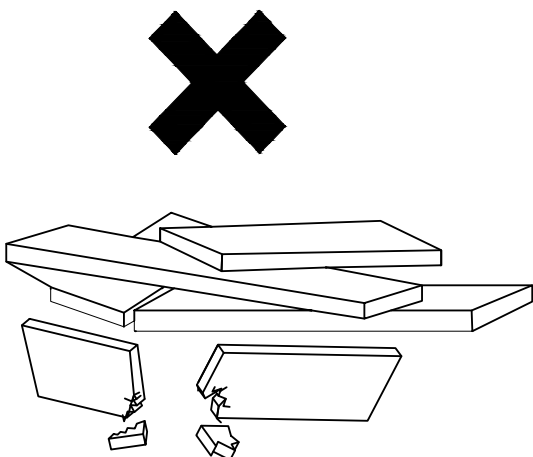
We recommend using hand tools for assembly.

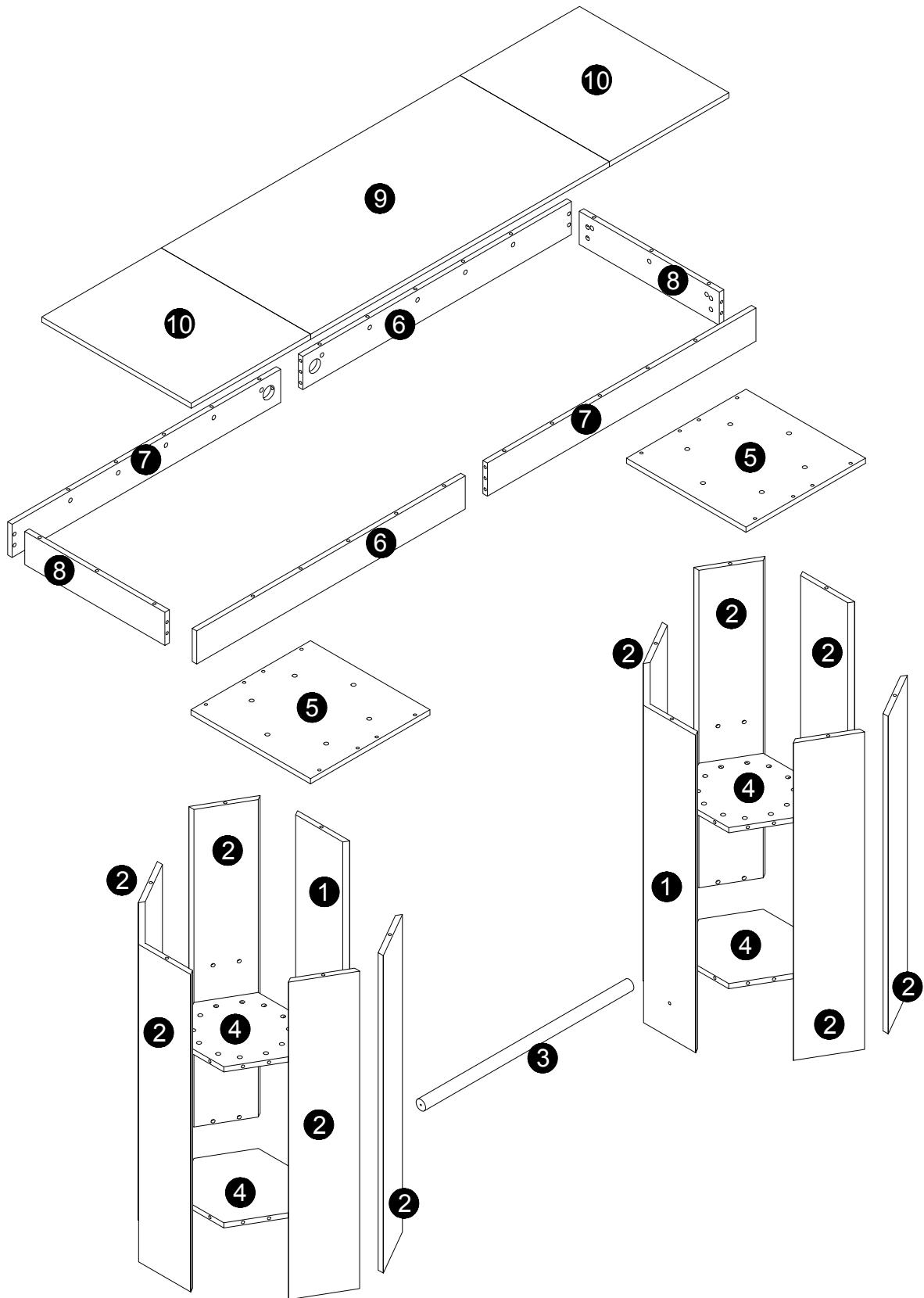
If an electric screwdriver is used, reduce power and torque to avoid damage to the product.



AVOID SCRATCHES

In order to avoid scratching this furniture should be assembled on a soft layer-could be a rug.

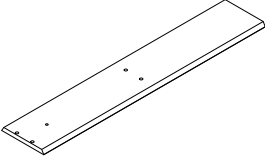
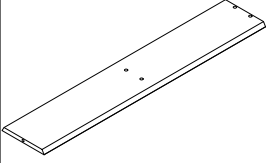
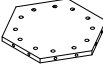
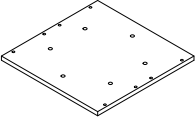
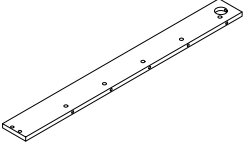
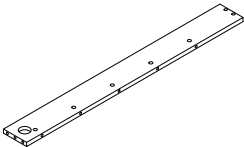
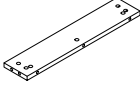
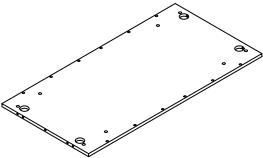
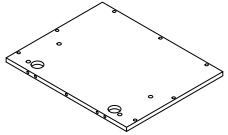




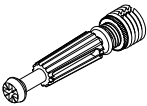

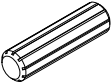
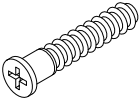
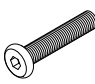
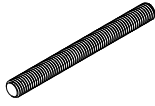
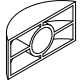
⚠ Caution



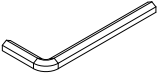


Make sure all parts are included. Most board parts are labeled or stamped on the raw edge. Contact us for a free replacement if you encounter any damaged or missing parts.

Parts List

 2 pcs	 10 pcs	 1 pc	 4 pcs	 2 pcs
 2 pcs	 2 pcs	 2 pcs	 1 pc	 2 pcs

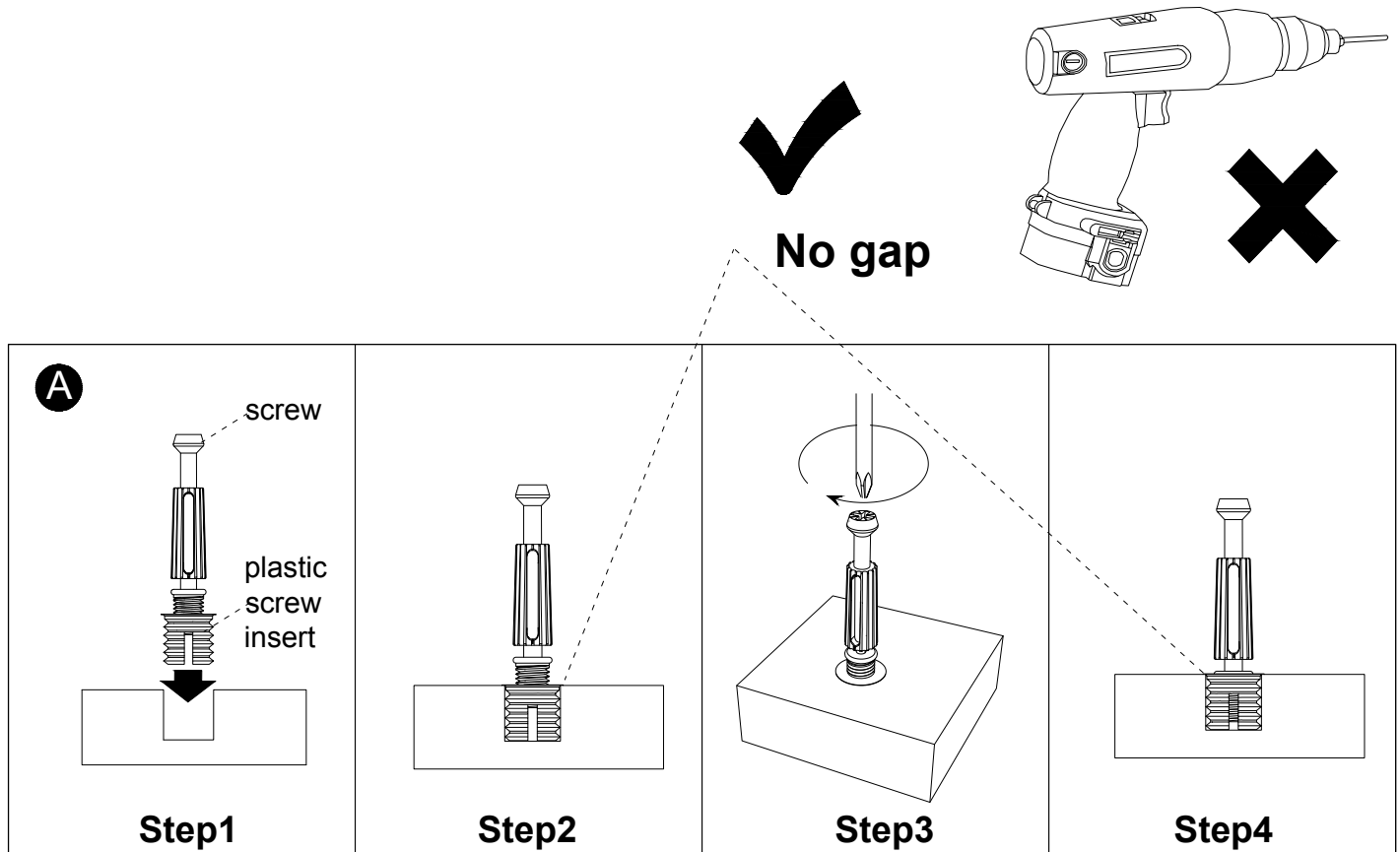
Hardware List

A	B	C	D	E	F	G
						
M6x35mm	Ø12x10mm	Ø8x30mm	Ø7x38mm	M6x25mm	Ø6x80mm	M6
82+1 pcs	82+1 pcs	10+1 pcs	12+1 pcs	18+1 pcs	6+1 pcs	12+1 pcs

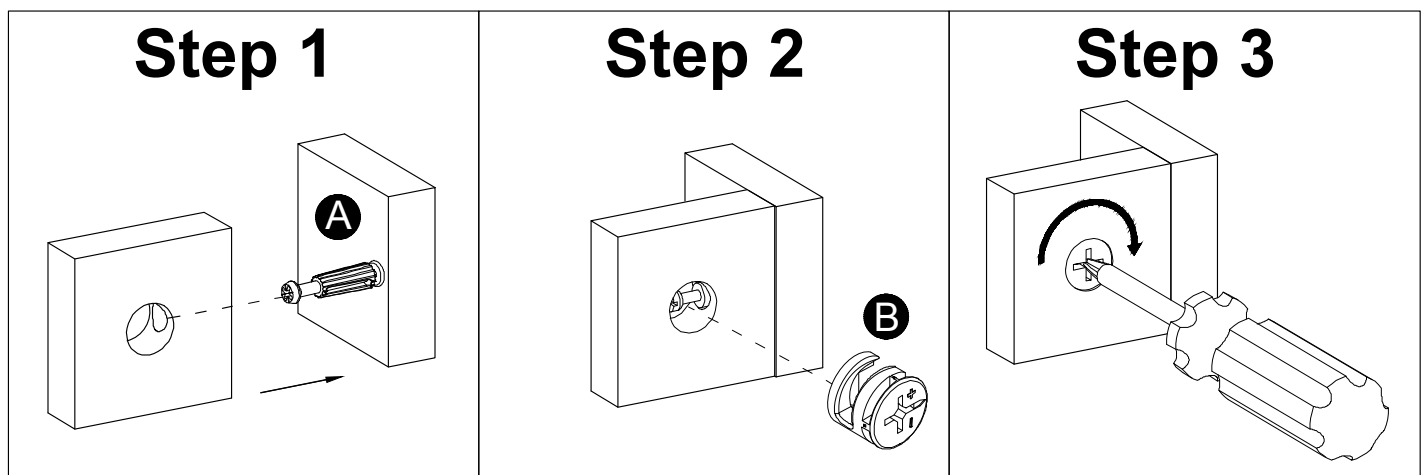
H	I	J	K	L		
						
M6		M4	Wrench M6	Screwdriver		
12+1 pcs	8+1 pcs	1 pc	2 pcs	1 pc		

Installation of Cams and Pins


Step 1-2: Align the plastic part with the mounting hole and press it in. If you can't press it in, loosen the screw counter clockwise or completely remove the screw from the plastic part and try again.
Step 3-4: After pressing the plastic part into place, use a screwdriver to tighten the screw clockwise.

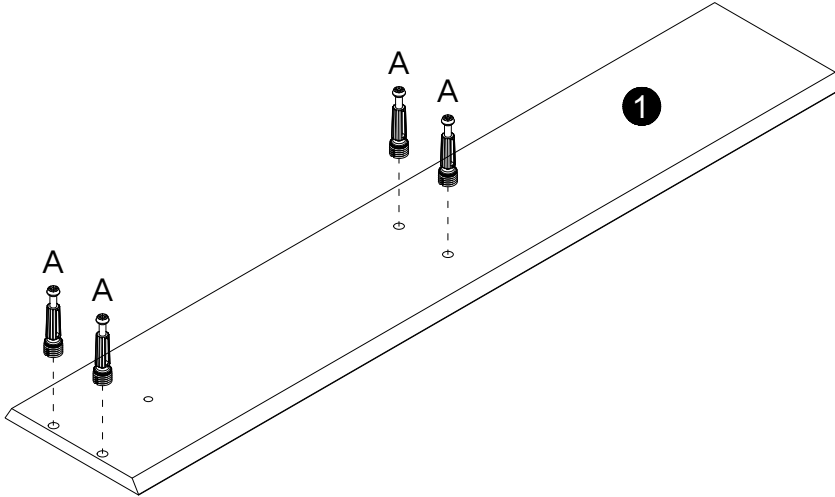


Screw the pin into the hole. Set the cams correctly by aligning the head of the cams with the lock pins. Lock the cam by turning the cam head with a screwdriver until it is tightened. Please do not use an electric screwdriver to assemble the unit.

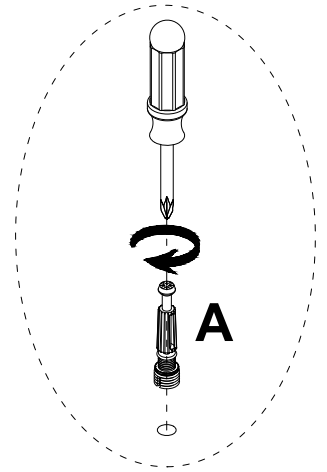


1


A

M6x35mm
8 pcs

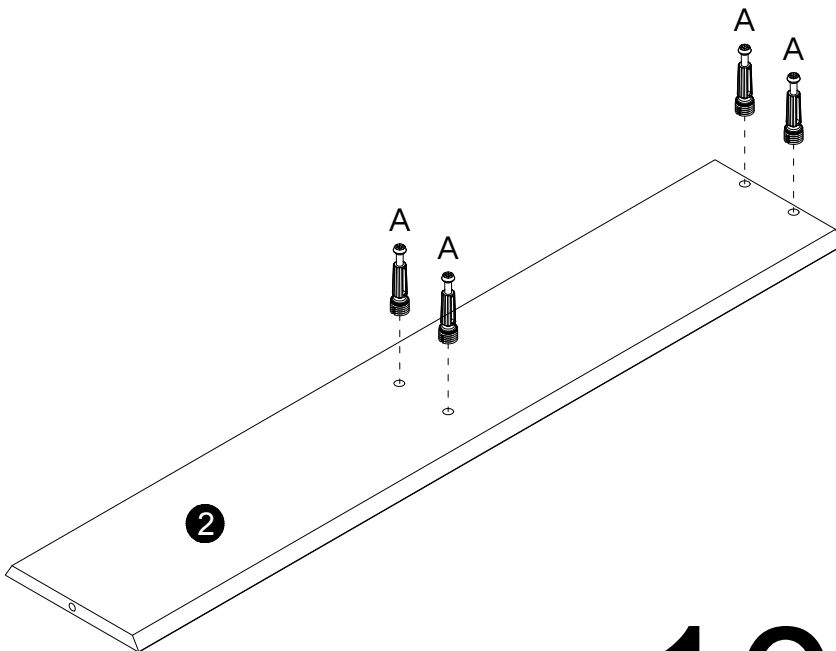


x2

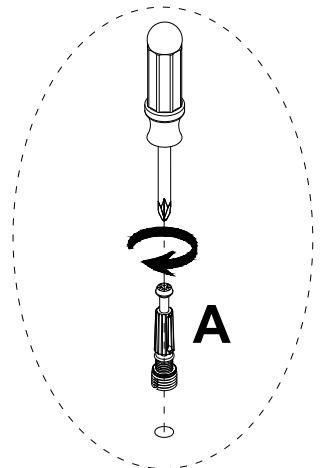


2

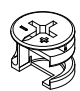
A

M6x35mm
40 pcs



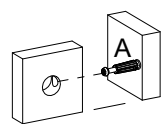
x10



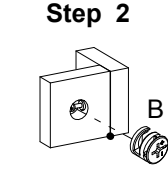
3

B

Ø12x10mm
40 pcs

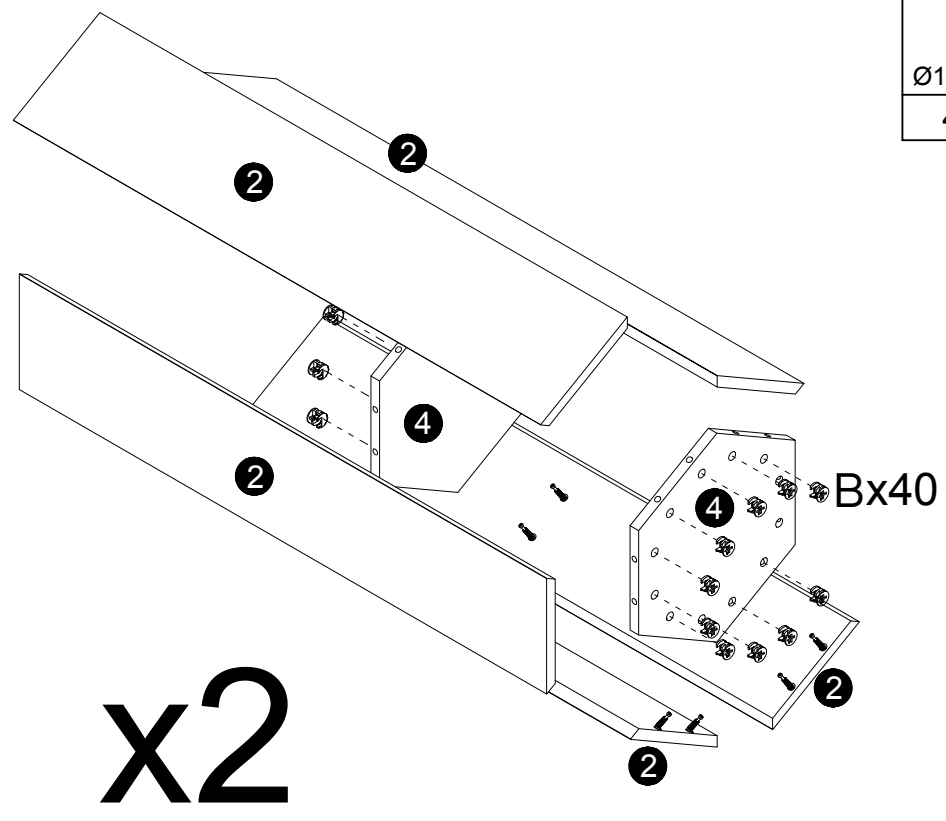
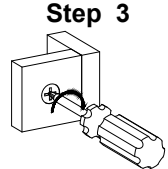
Step 1




Step 2

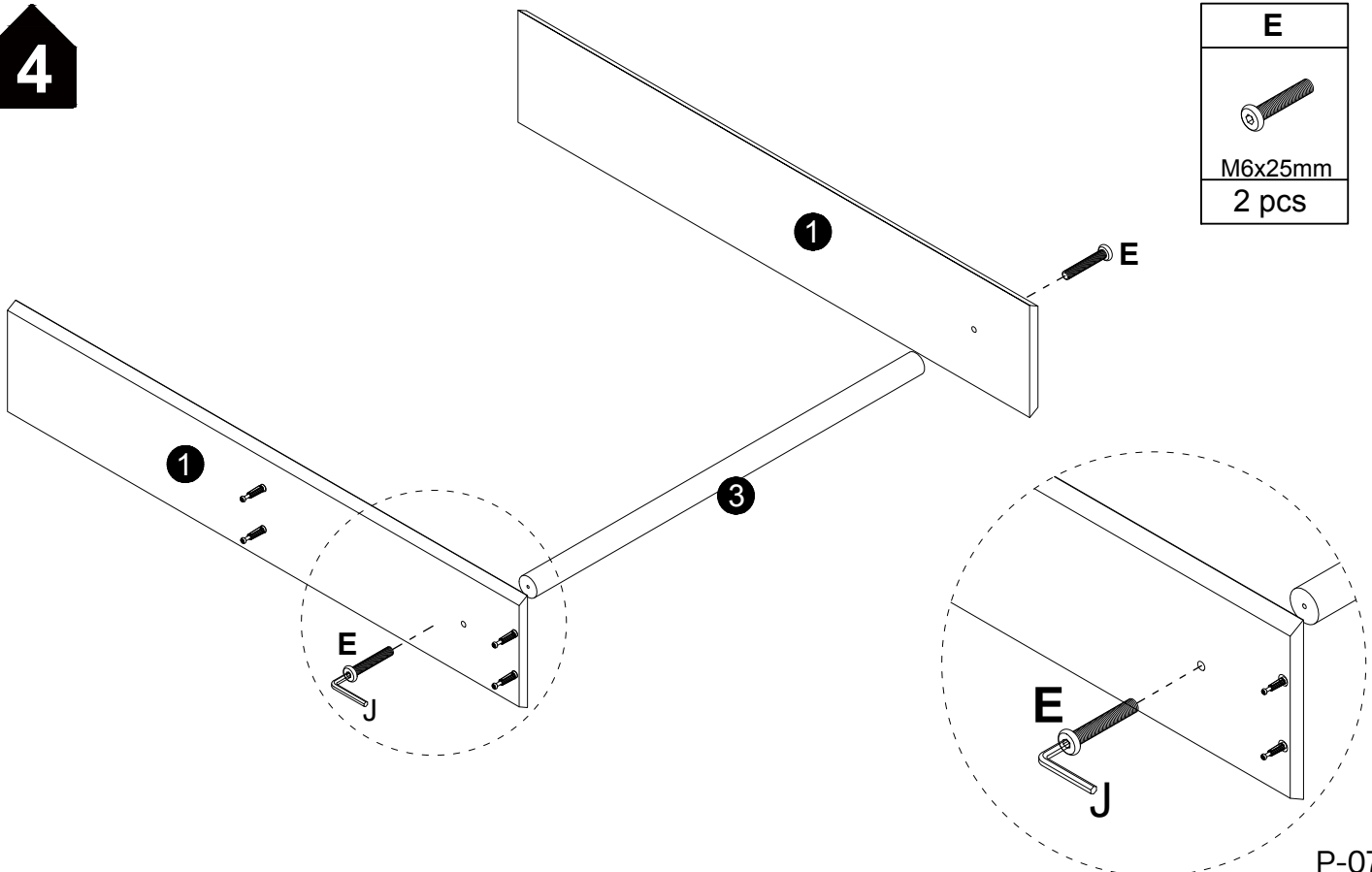


Step 3

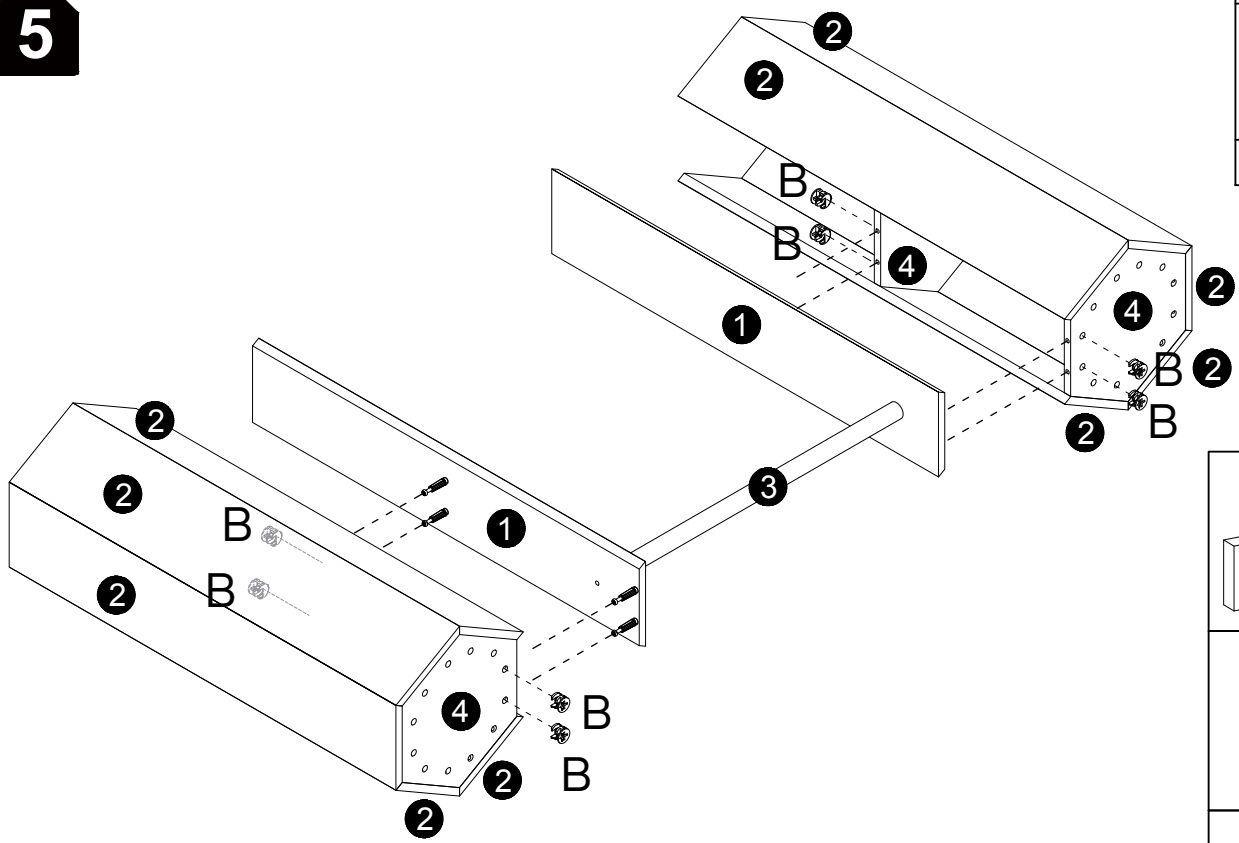


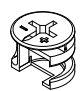
4

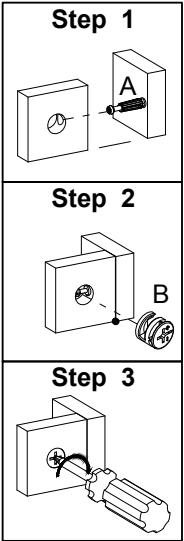
E

M6x25mm
2 pcs



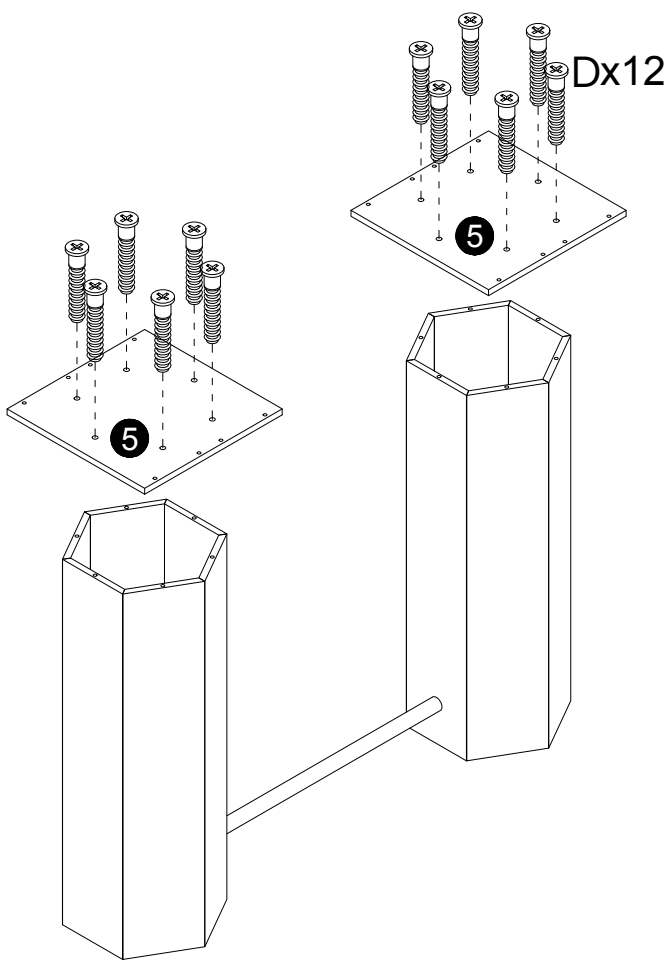
5

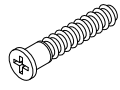


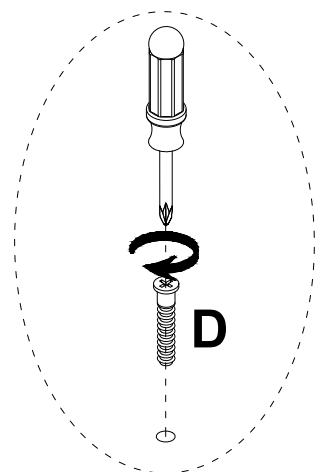
B

Ø12x10mm
8 pcs



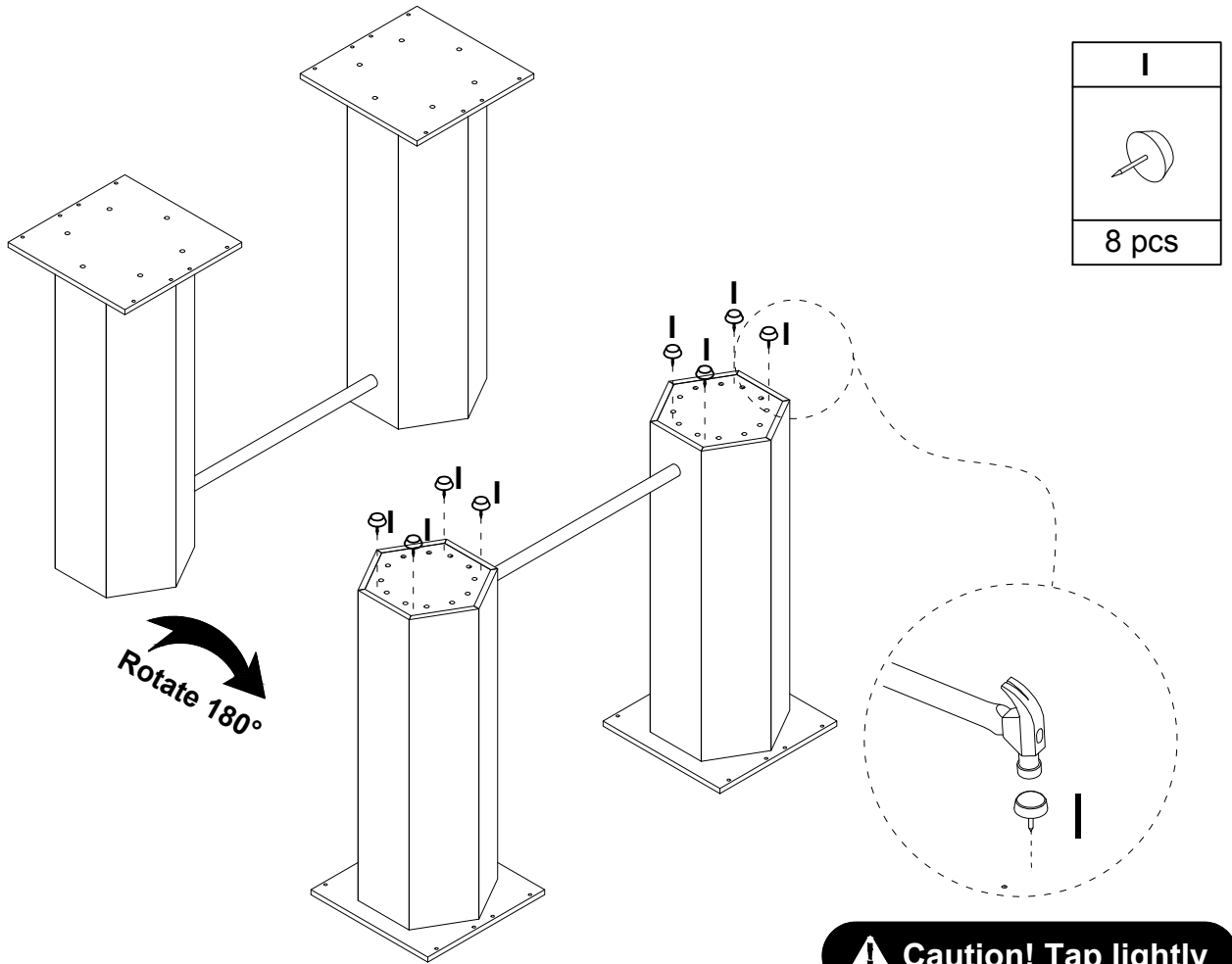
6



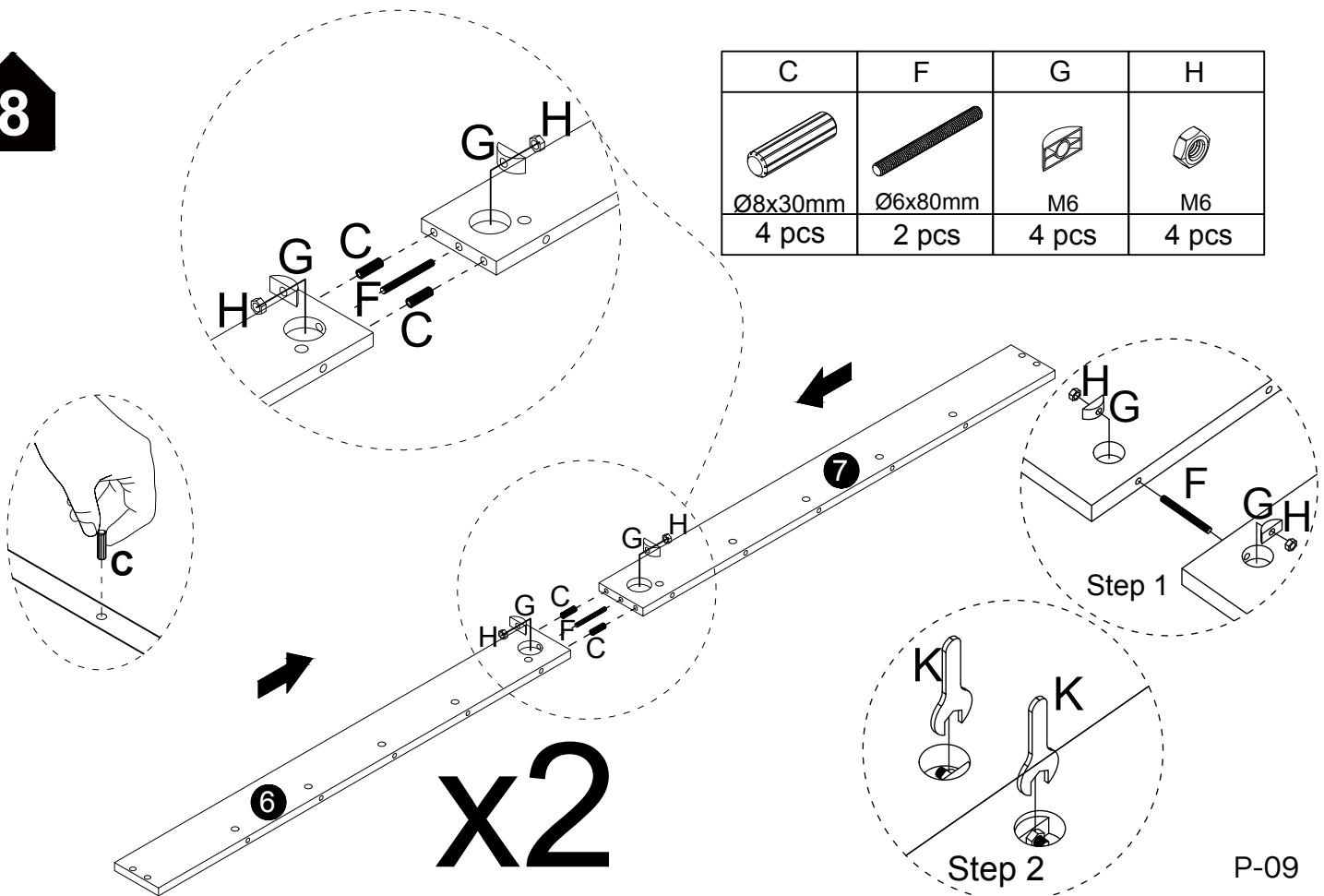
D

Ø7x38mm
12 pcs



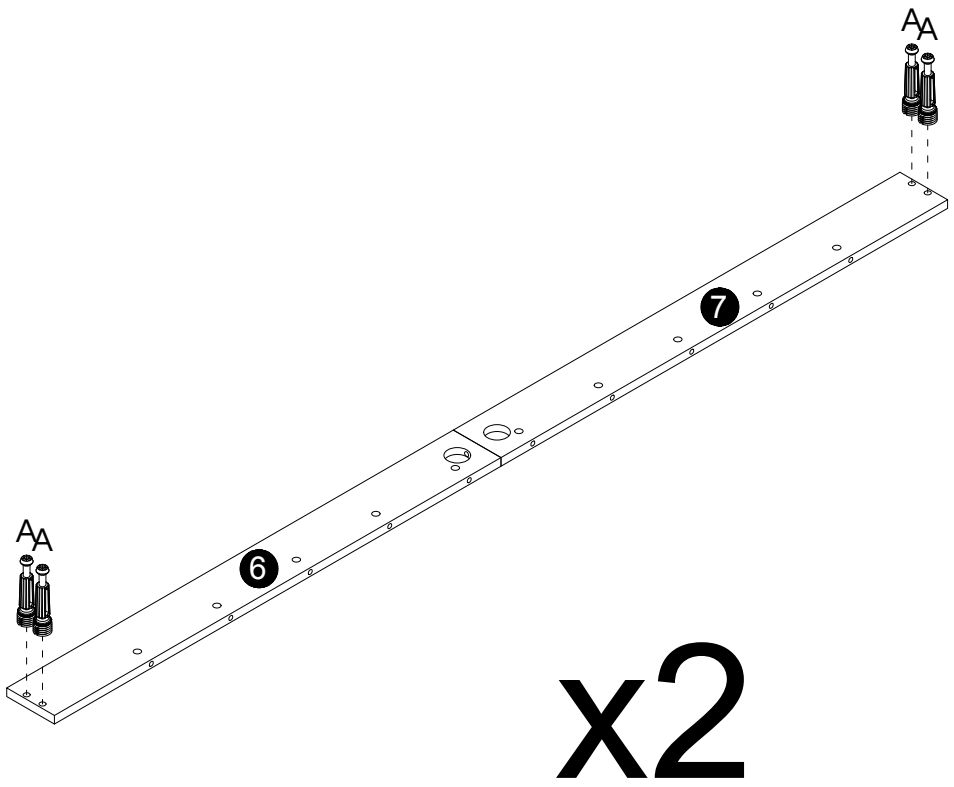
7




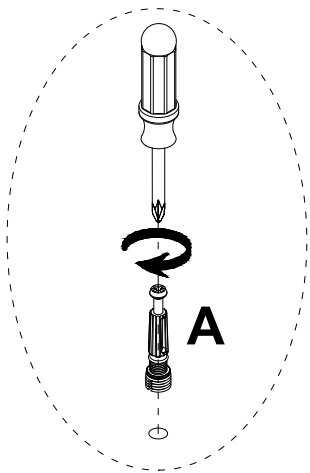
8



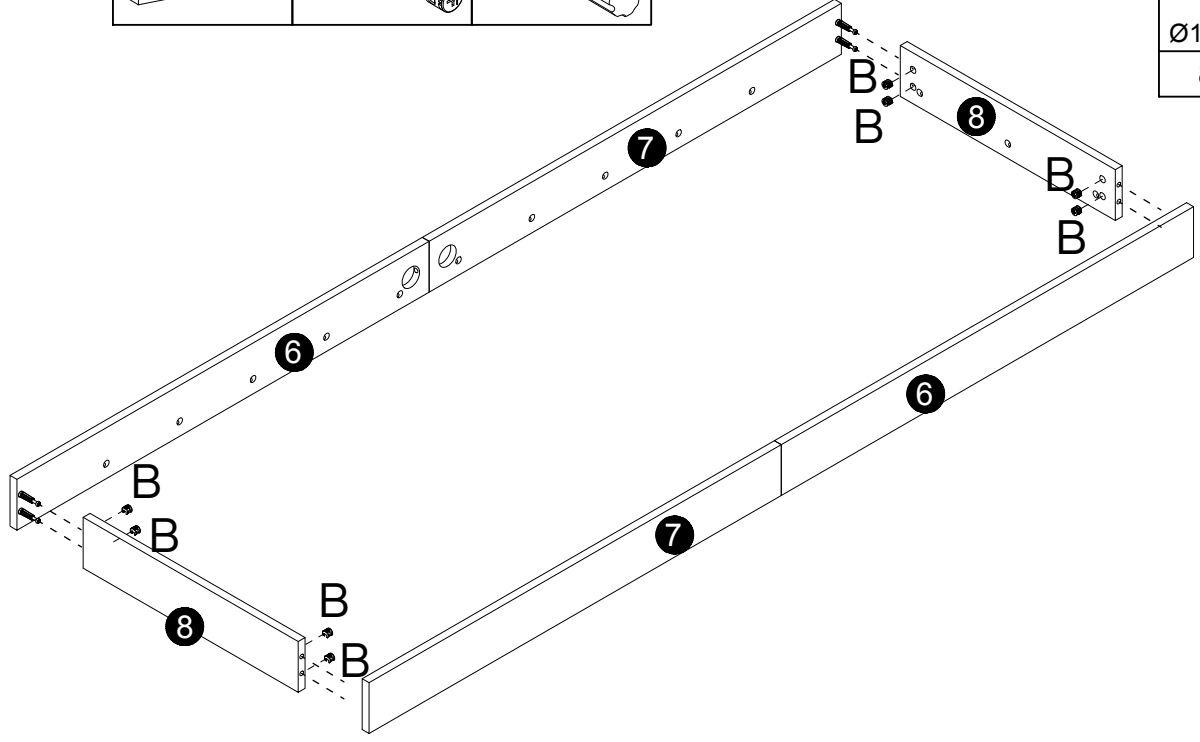
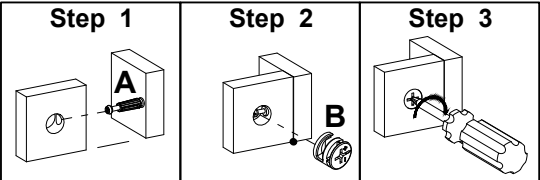
9




A

M6x35mm
8 pcs

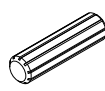





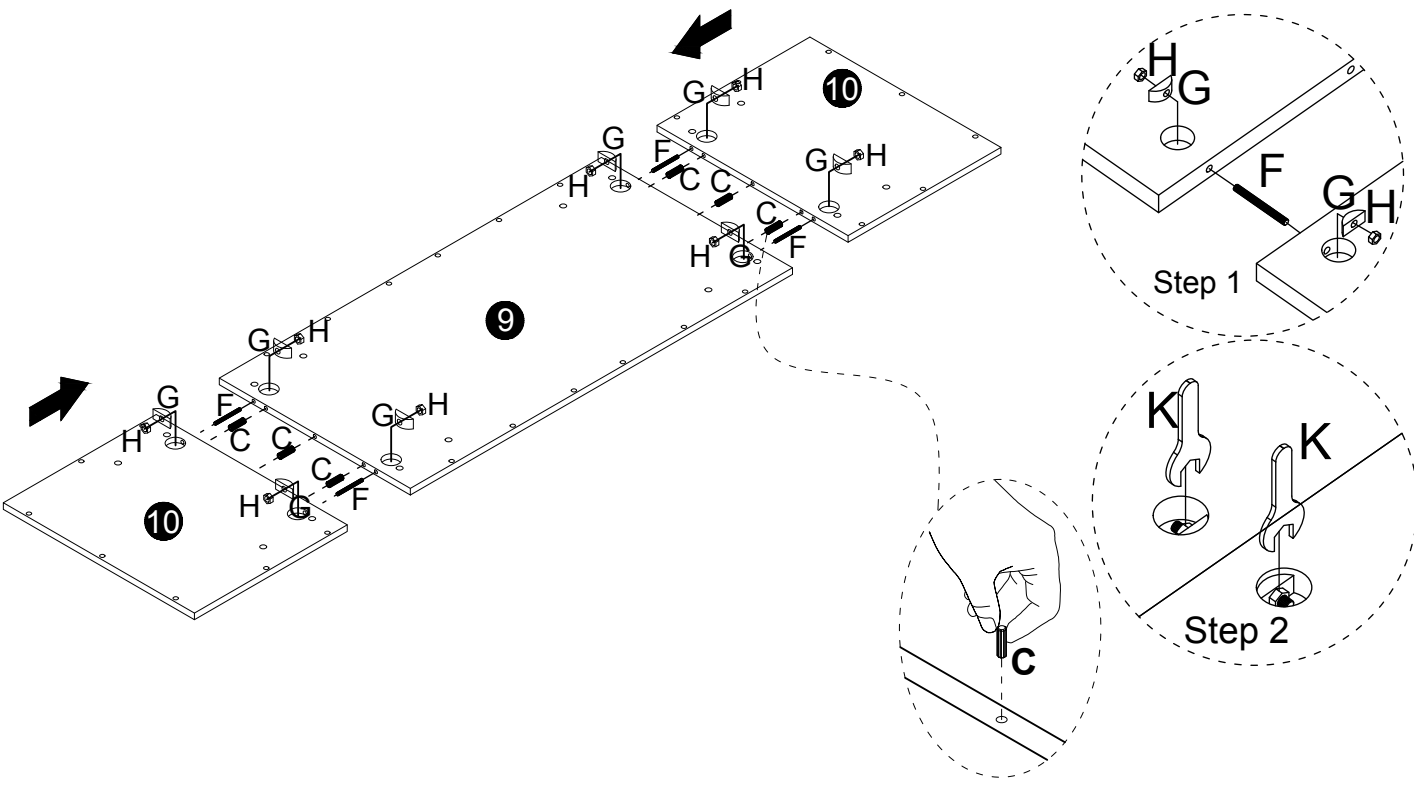
10




B

Ø12x10mm
8 pcs

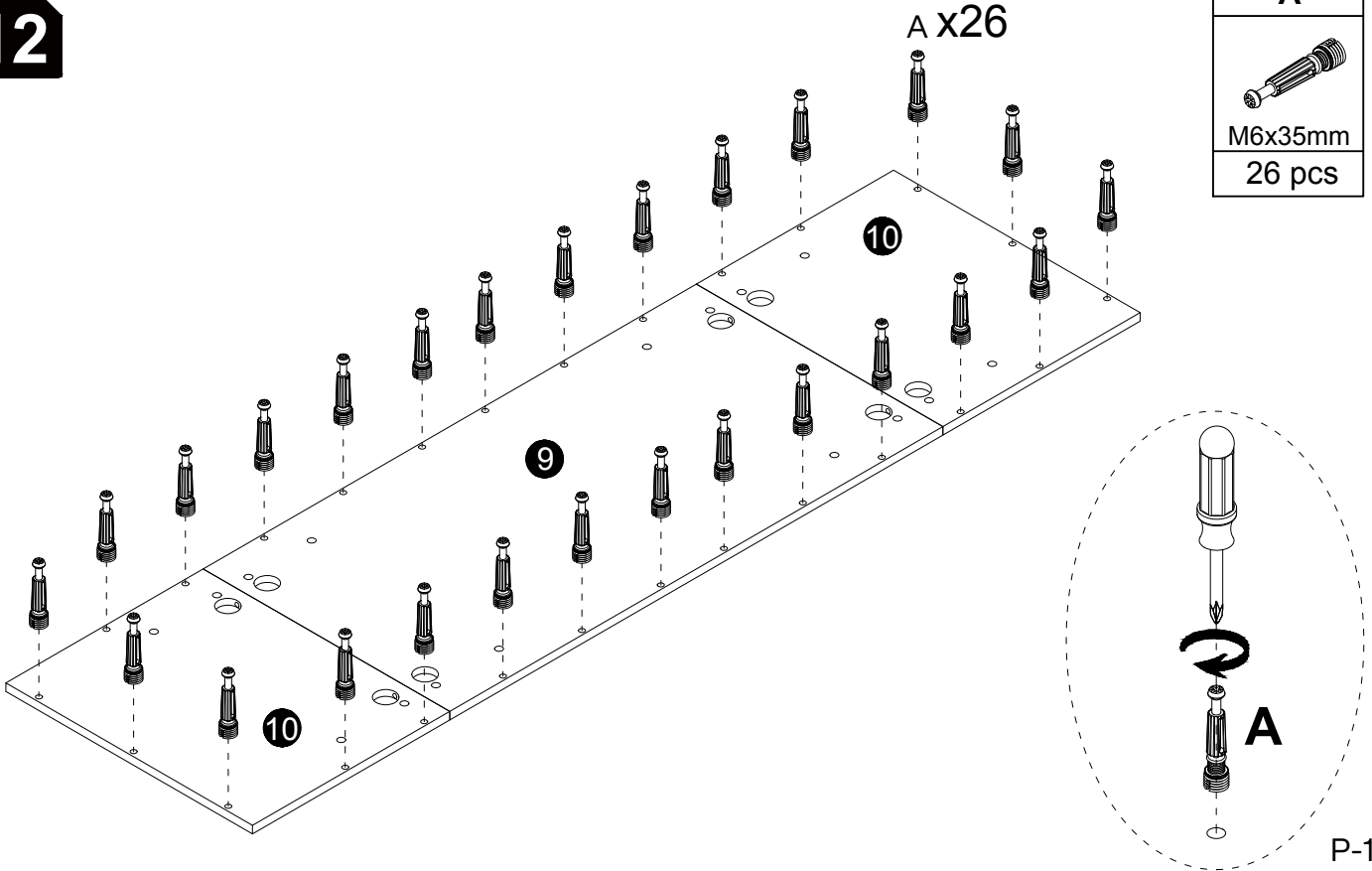
11

C	F	G	H
			
Ø8x30mm	Ø6x80mm	M6	M6
6 pcs	4 pcs	8 pcs	8 pcs

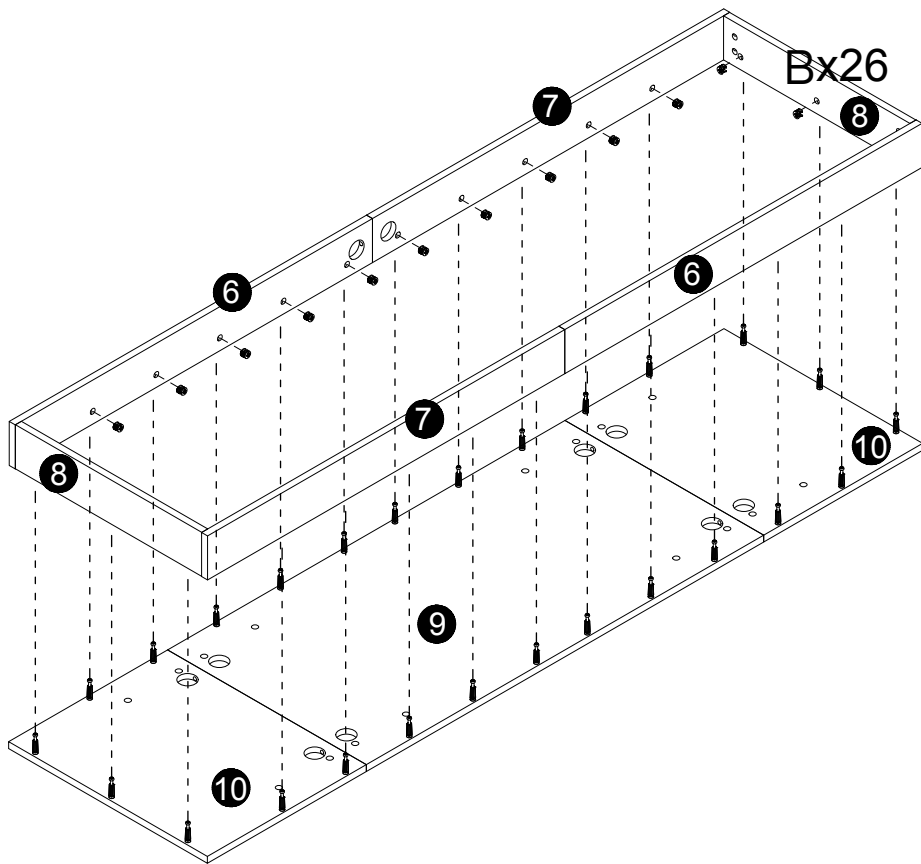



12

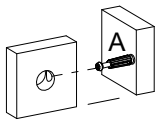
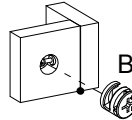
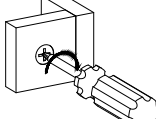
A

M6x35mm
26 pcs



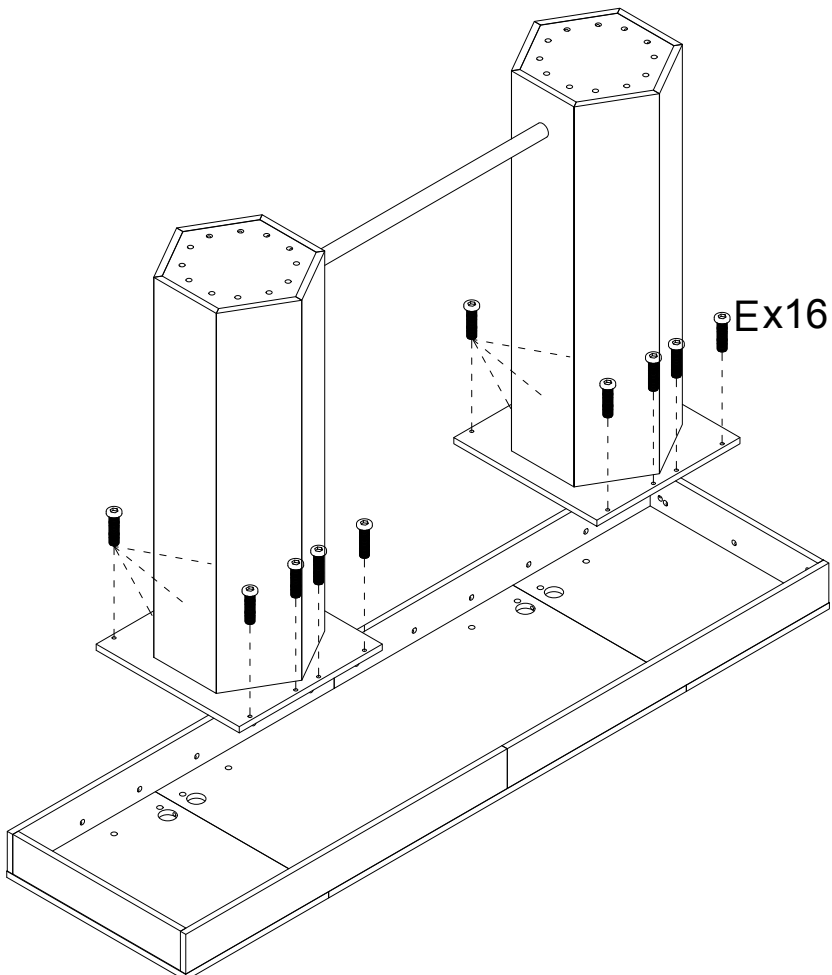
13

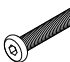


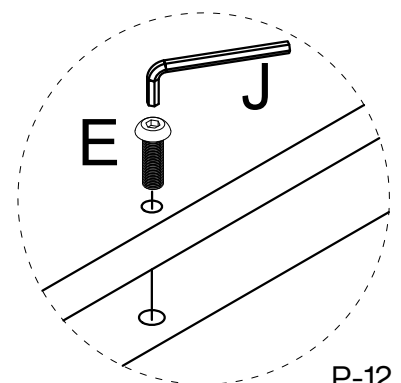
B

Ø12x10mm
26 pcs

Step 1

Step 2

Step 3


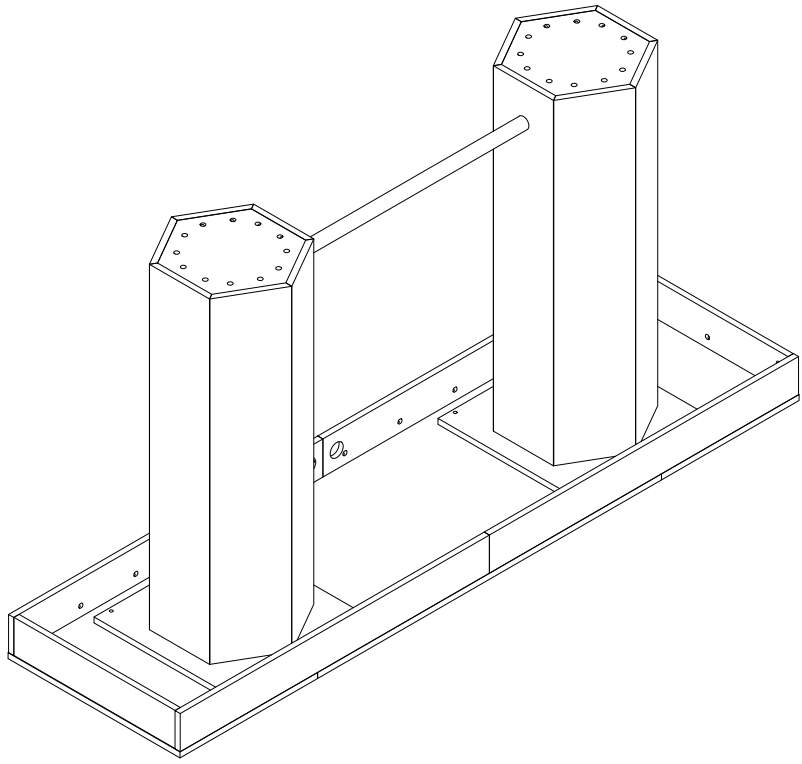
14



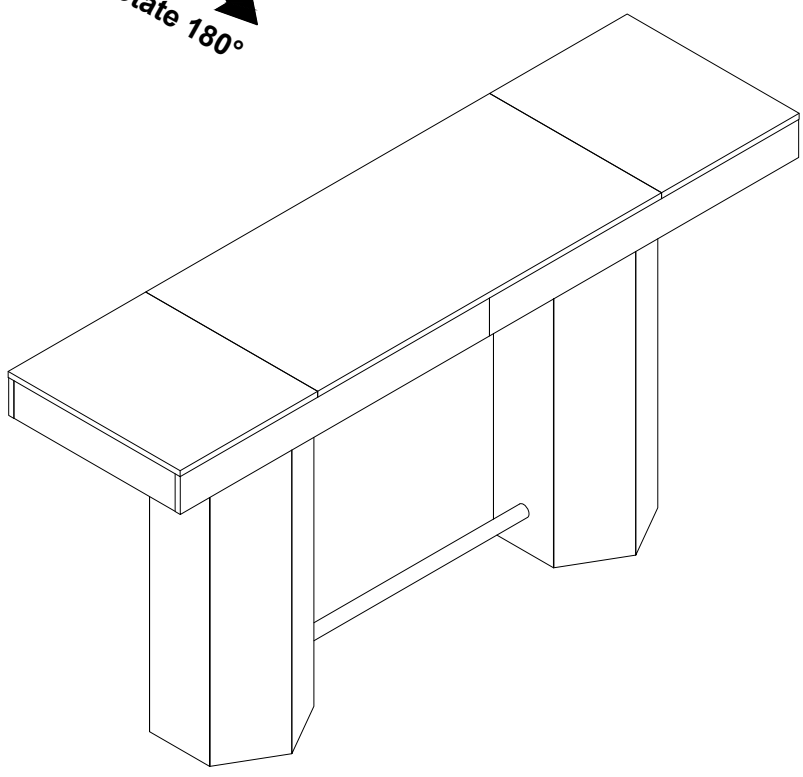
E

M6x25mm
16 pcs



15



Rotate 180°



Thank you for your support!

