





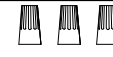

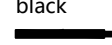
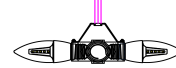
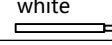
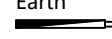
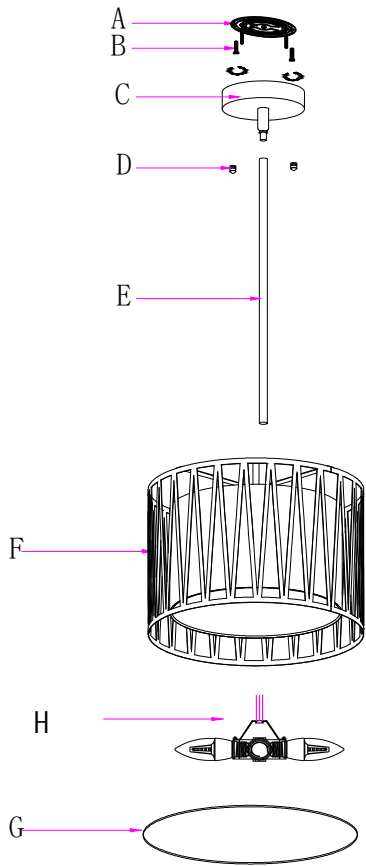


# Installation Instruction

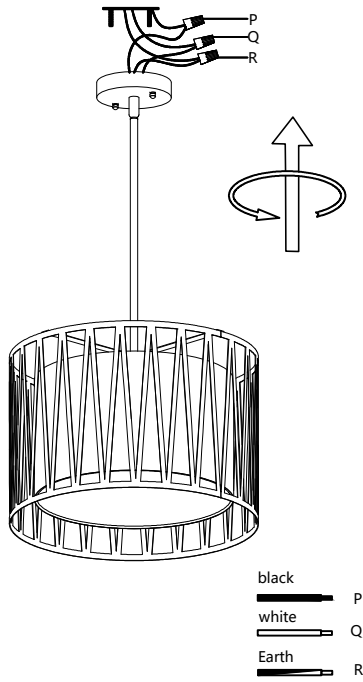
## Part List and Hardware List

ITEM	PICRURE	DESCRIPTION	QUANTITY	ITEM	PICTURE	DESCRIPTION	QUANTITY
A		Mounting Bracket	X1	J			
B		Self-tapping Screws	X2	K			
C		Canopy	X1	L			
D		M4 Nuts	X2	M			
E		Downrods	15.7"X3 5.9"X1	N			
F		Metal Lampshade	X1	O		Wire connectors	X3
G		Acrylic Plate	X1	P		Line Wire	X1
H		Lamp Body	x1	Q		Neutral Wire	X1
				R		Ground wire	X1

**1**



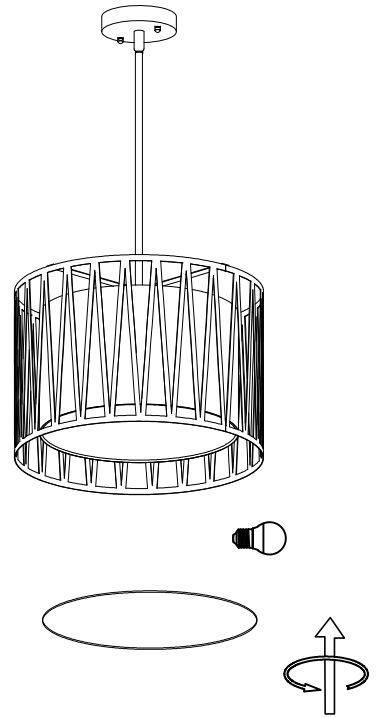
**2**



**Step 2:**

4. Connect the wires and your home wires to the connector (black to balck, white to white, earth to earth)
5. Install the light fixture to the ceiling with M4 nut(D)

**3**



**Step 3:**

6. Finally, install the E26 light bulb, and then put the acrylic plate (G) away to complete the installation.

**Step 1:**

1. Fix the Mounting Bracket(A) into the ceiling with Self-tapping screw(B)
2. Install Lamp Body(H) to the Fabric Lampshade(F)
3. Pass the wires through the Downrod(E) and Canopy(C)