

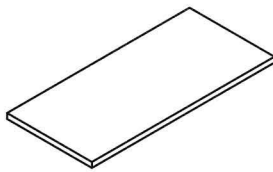
# DINING TABLE

## Assembly Instructions

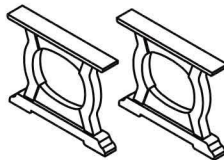
- . Tools Included
- . Do not throw away packaging materials until assembly is complete
- . Assemble this item on a soft, clean surface to protect the product
- . Proper assemble requires 2 people
- . Make sure all parts are included prior to assembling

PART LIST		
ITEM	DESCRIPTION	QTY
A	Table Top	1PC
B	Table Leg	2PCS
C	Center Support	1PC
D	Support Stopper	1PC

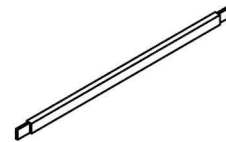
HARDWARE LIST		
ITEM	DESCRIPTION	QTY
1	Screw M8*55MM	8PCS
2	Allen Wrench	1PC
3	Lock Washer	8PCS
4	Washer	8PCS



A



B

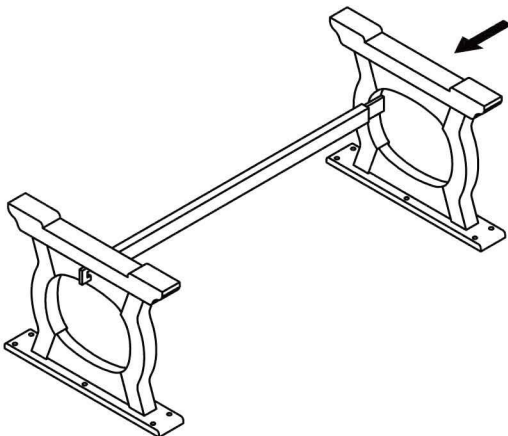


C

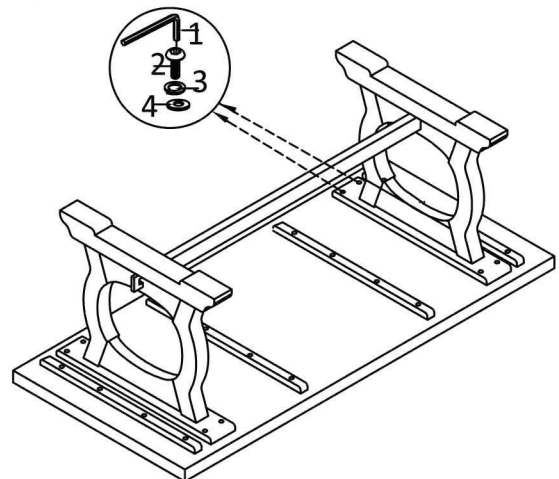


D

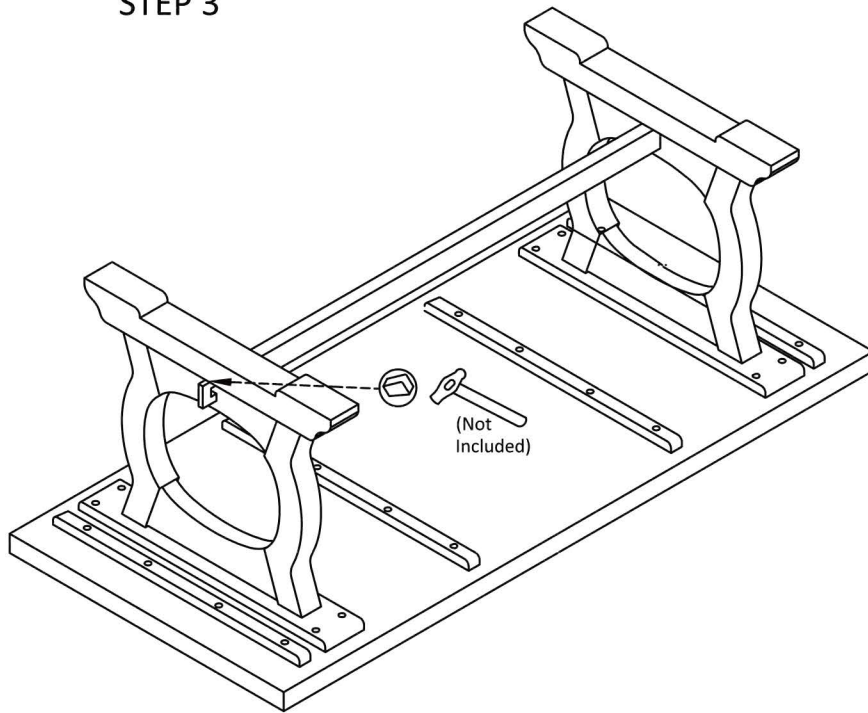
### STEP 1



### STEP 2



STEP 3



THE END

