

ASSEMBLY INSTRUCTION

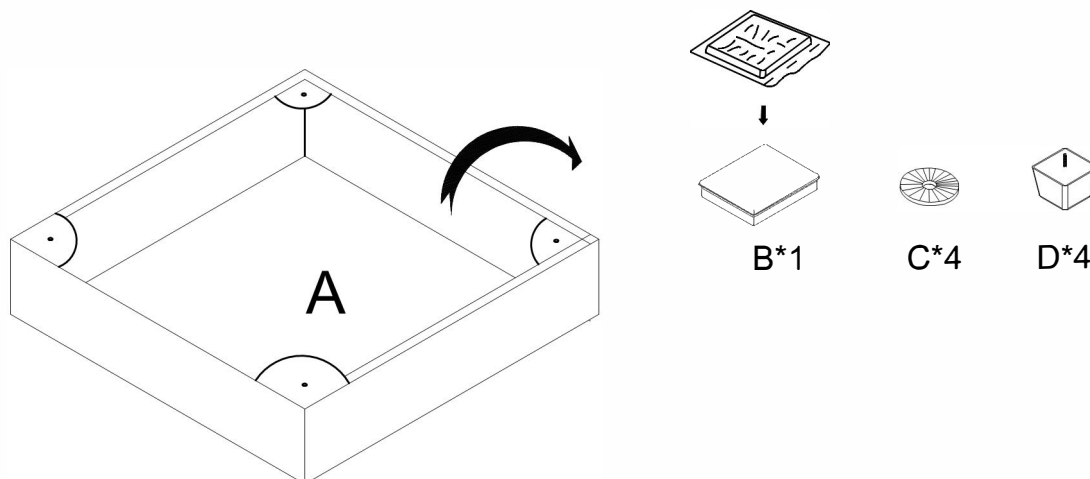
Ottoman



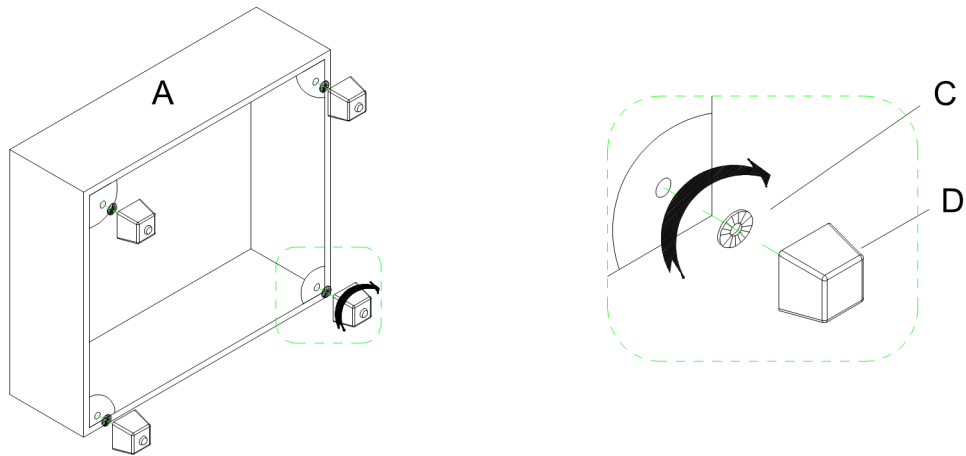
NOTE: Do not use power tools for assembly. Power tools increase the risk of over tightening which lead to splitting or cracking the wood.

Ottoman COMPONENT LIST

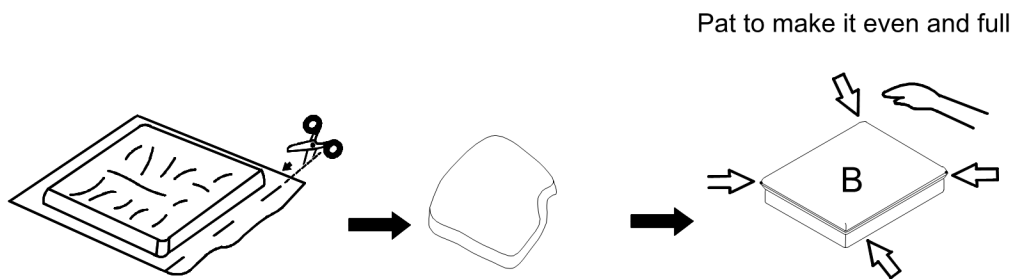
NO	DRAWING	QTY	DESCRIPTION
A		1	SEAT
B		1	SEAT CUSHION
C		4	PLASTIC WASHER(Φ 45*3mm)
D		4	PLASTIC LEG



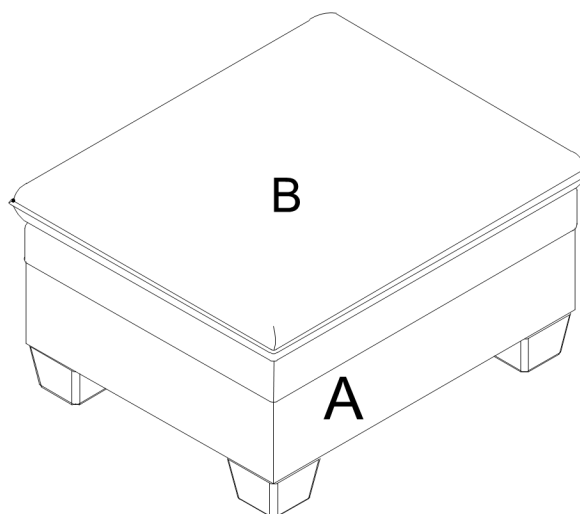
Step 1

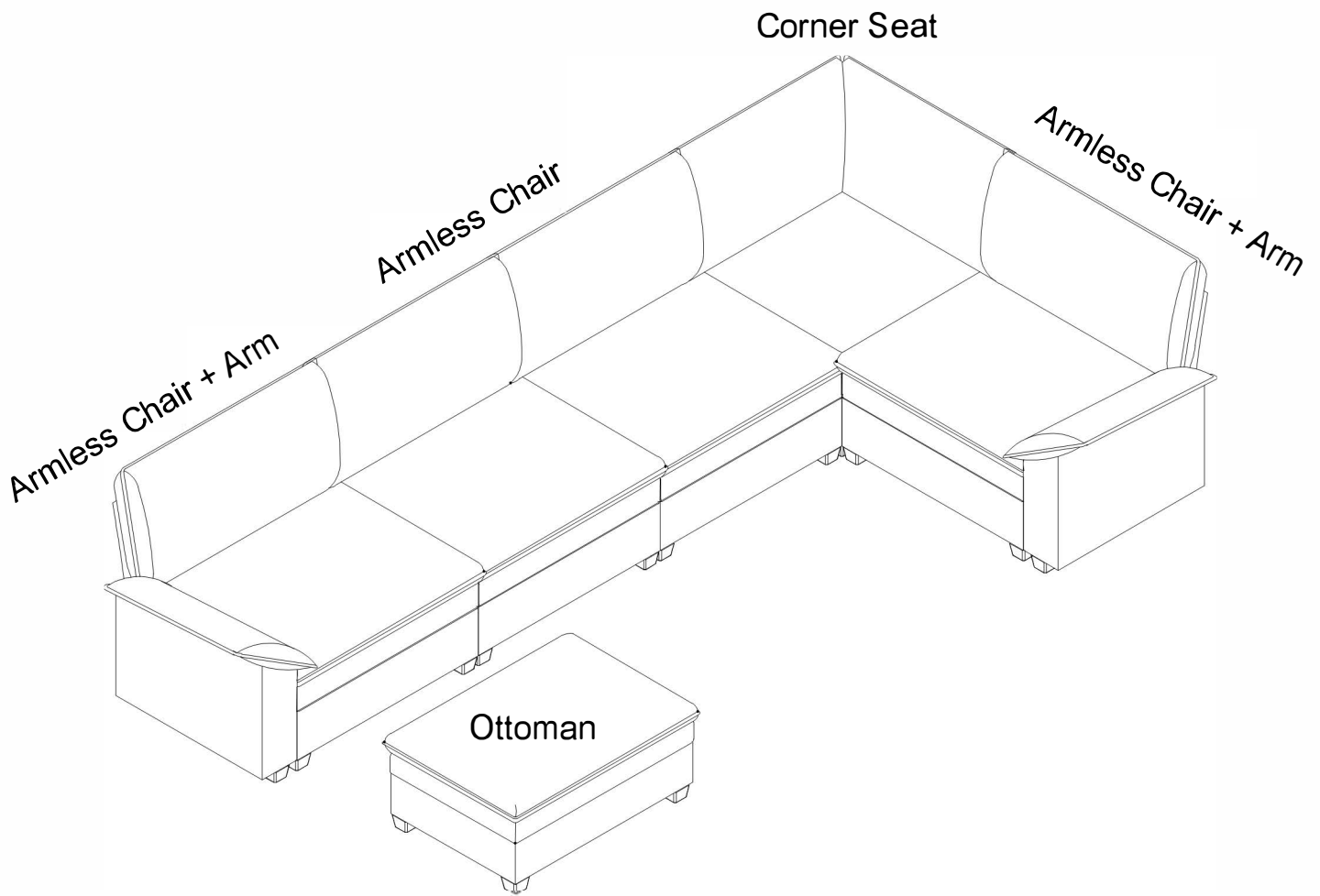


Step 2



Step 3





Care Instruction for Chenille Furniture:

In order to maintain the original appearance of your Chenille furniture, please follow below simple care procedures:

Avoid exposing furniture directly to sunlight or heating and air conditioning outlets. Sunlight and or exposure to heating and air conditioning outlets will fade/damage Chenille.

Vacuum or wipe with a soft cloth to remove dust.

Hardware may loosen over time. Periodically check to make sure all connection are tight, Re-tighten if necessary.

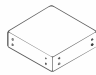
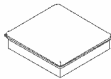




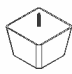




For item use on wooden floor, hard surfaces or carpets, it is recommended to install protective pads under all legs and supports to avoid/prevent from damages/scratches and discoloration.

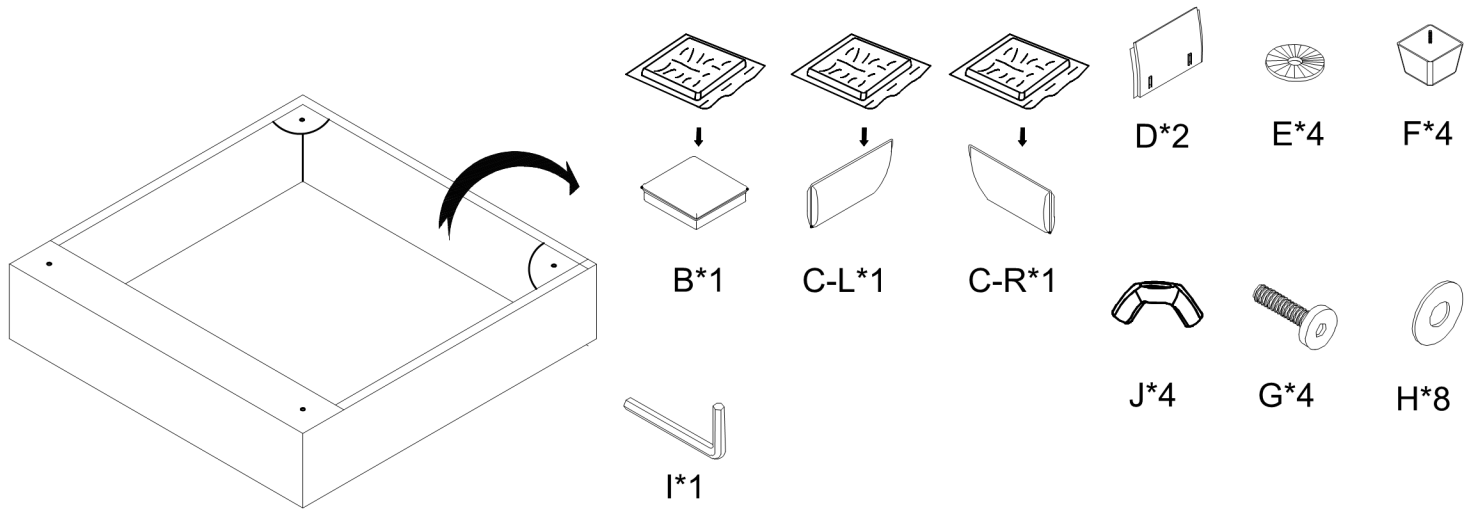
ASSEMBLY INSTRUCTION

Corner Seat

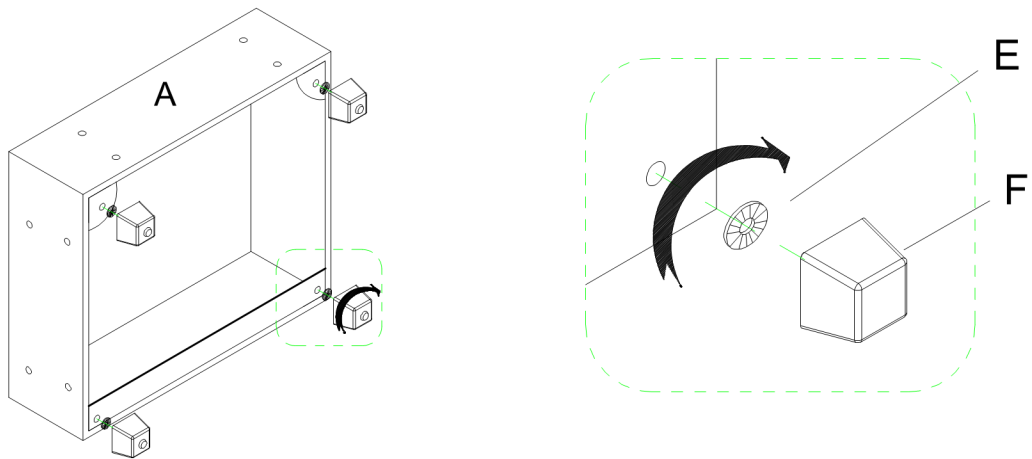


NOTE: Do not use power tools for assembly. Power tools increase the risk of over tightening which lead to splitting or cracking the wood.

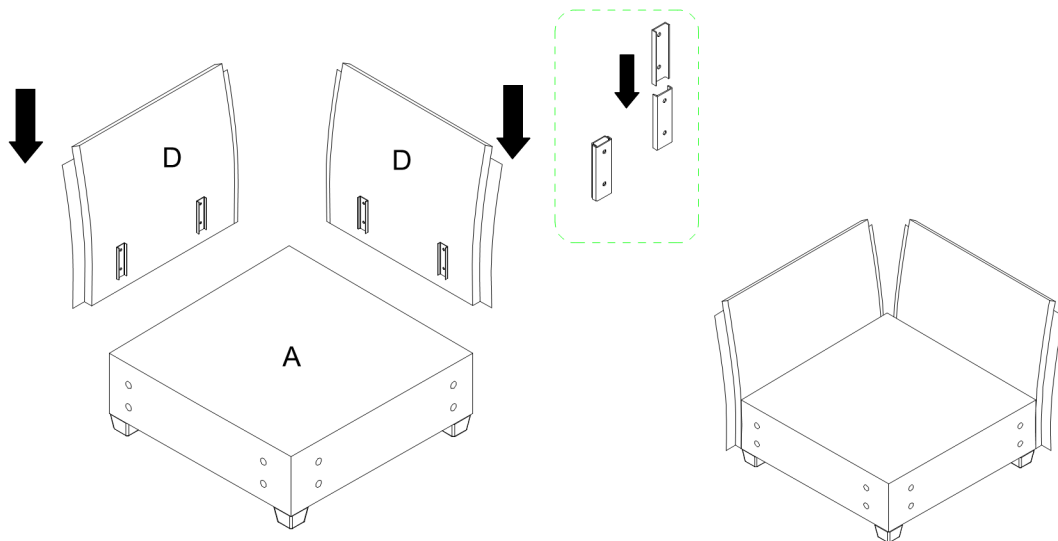
NO	DRAWING	QTY	DESCRIPTION
A		1	SEAT
B		1	SEAT CUSHION
C-L		1	L LSF BACK CUSHION
C-R		1	R RSFBACK CUSHION
D		2	BACK PANEL
E		4	PLASTIC WASHER(Φ45*3mm)
F		4	PLASTIC LEG(80*80*80mm)
G		4	BOLT 5/16*80mm
H		8	WASHER(Φ19*1.5mm)
I		1	ALLEY KEY
J		4	BUTTERFLY NUT(30*13*13mm)



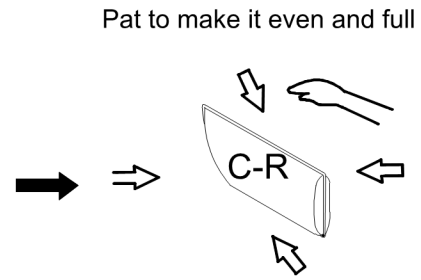
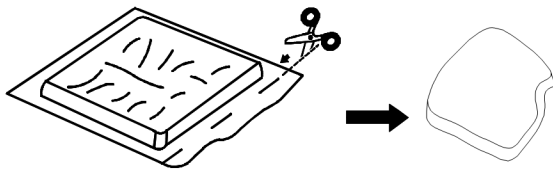
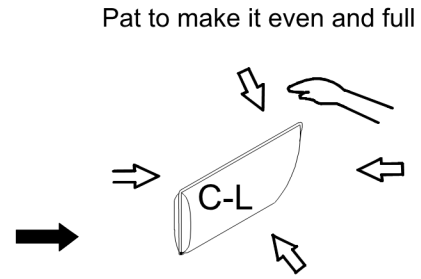
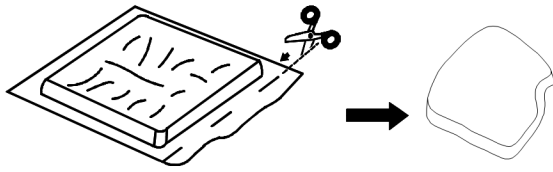
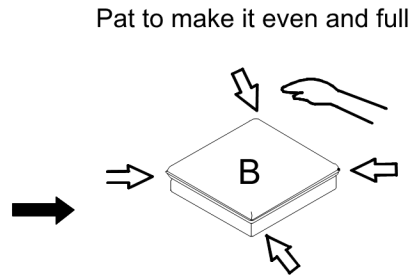
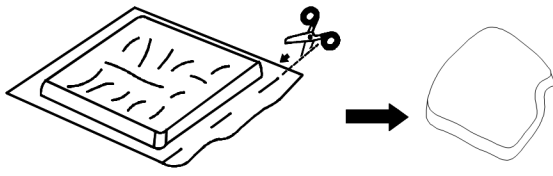
Step 1



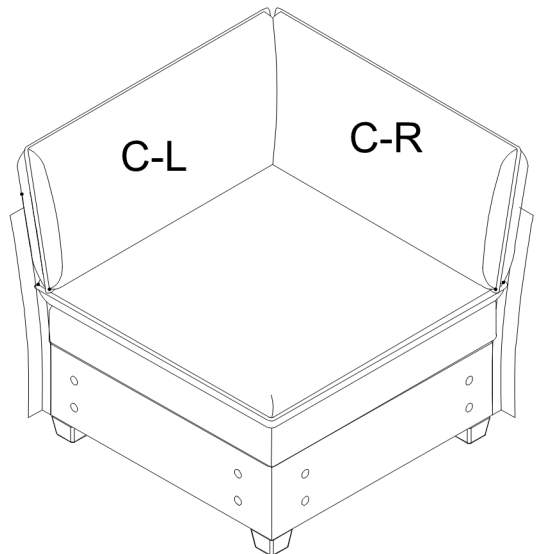
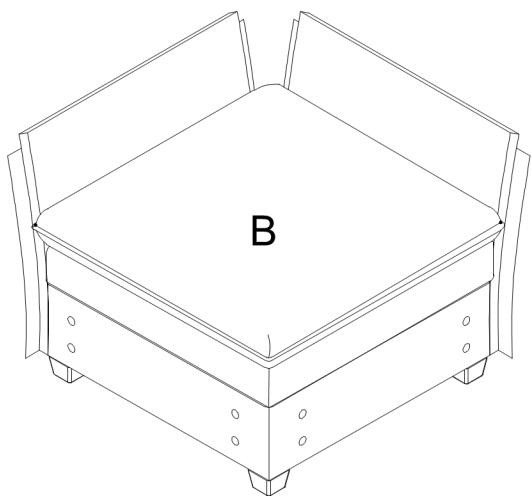
Step 2



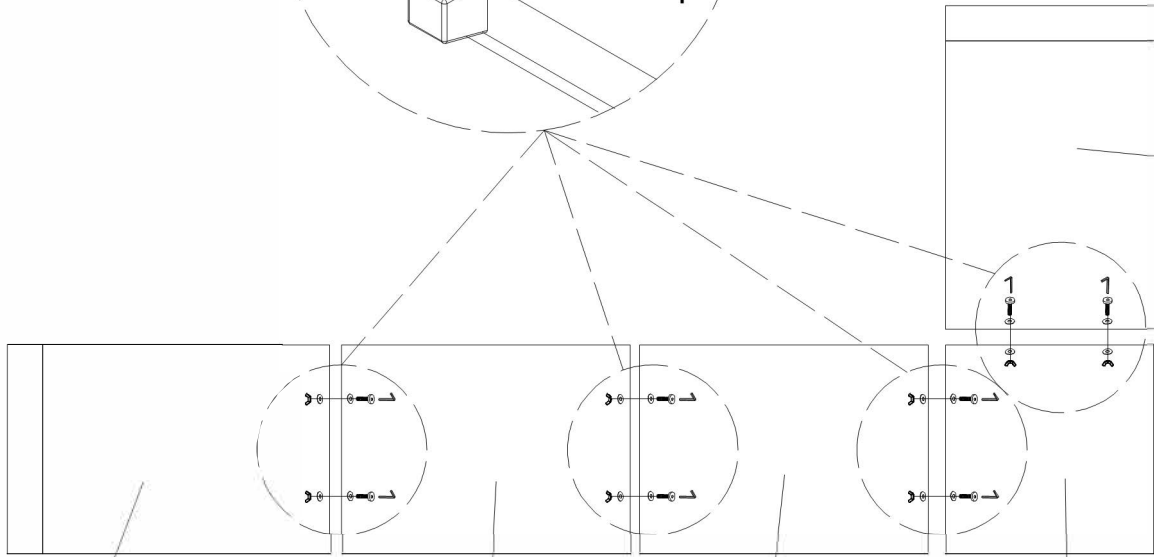
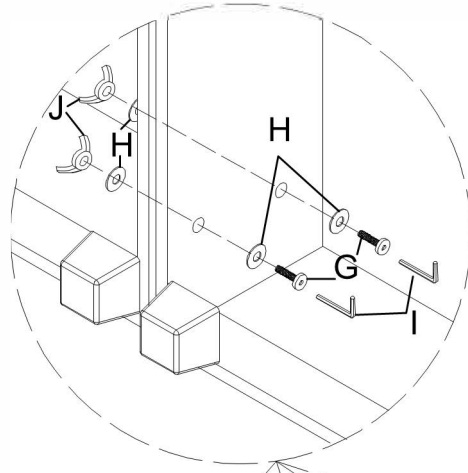
Step 3



Step 4



STEP 1



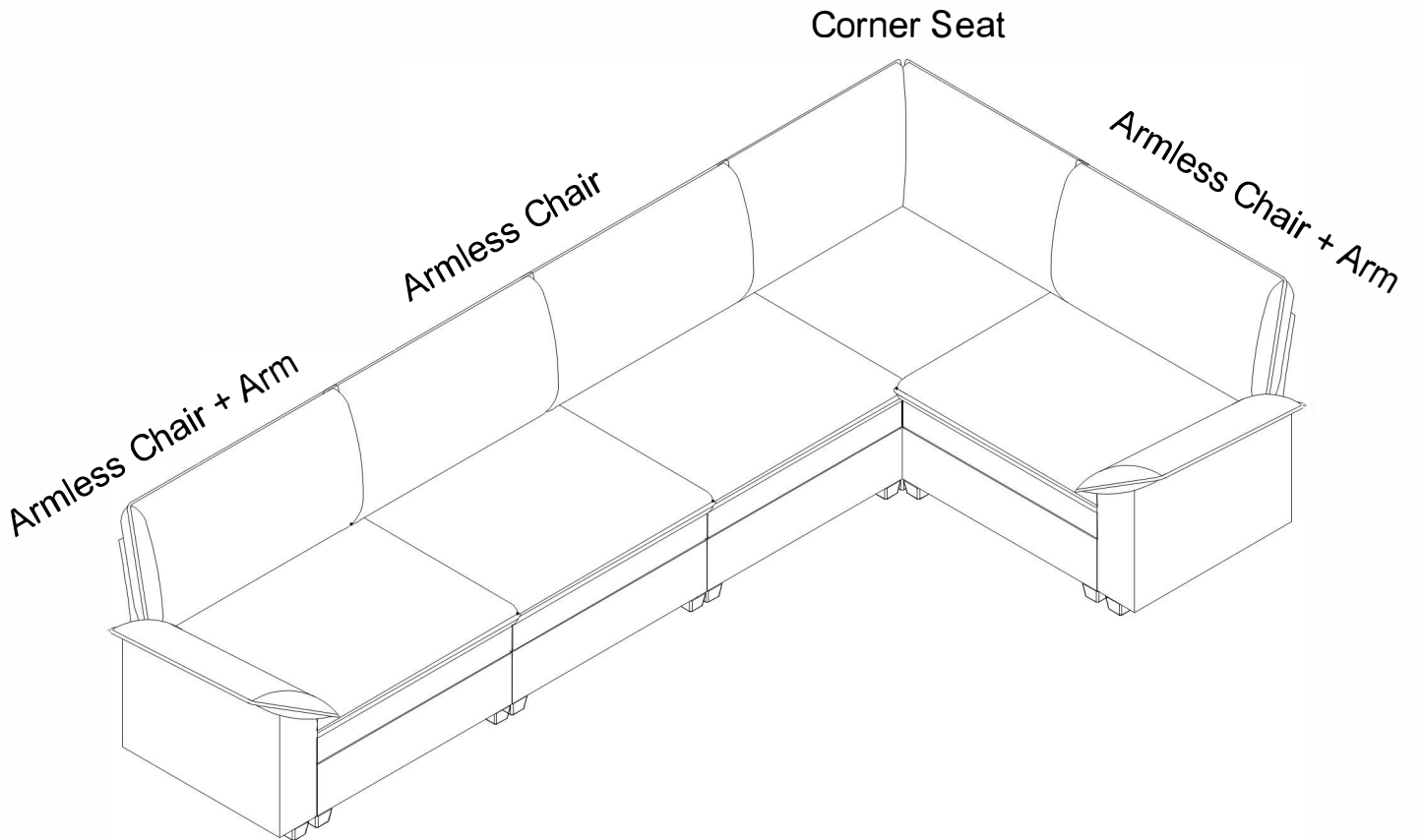
Armless Chair + Arm

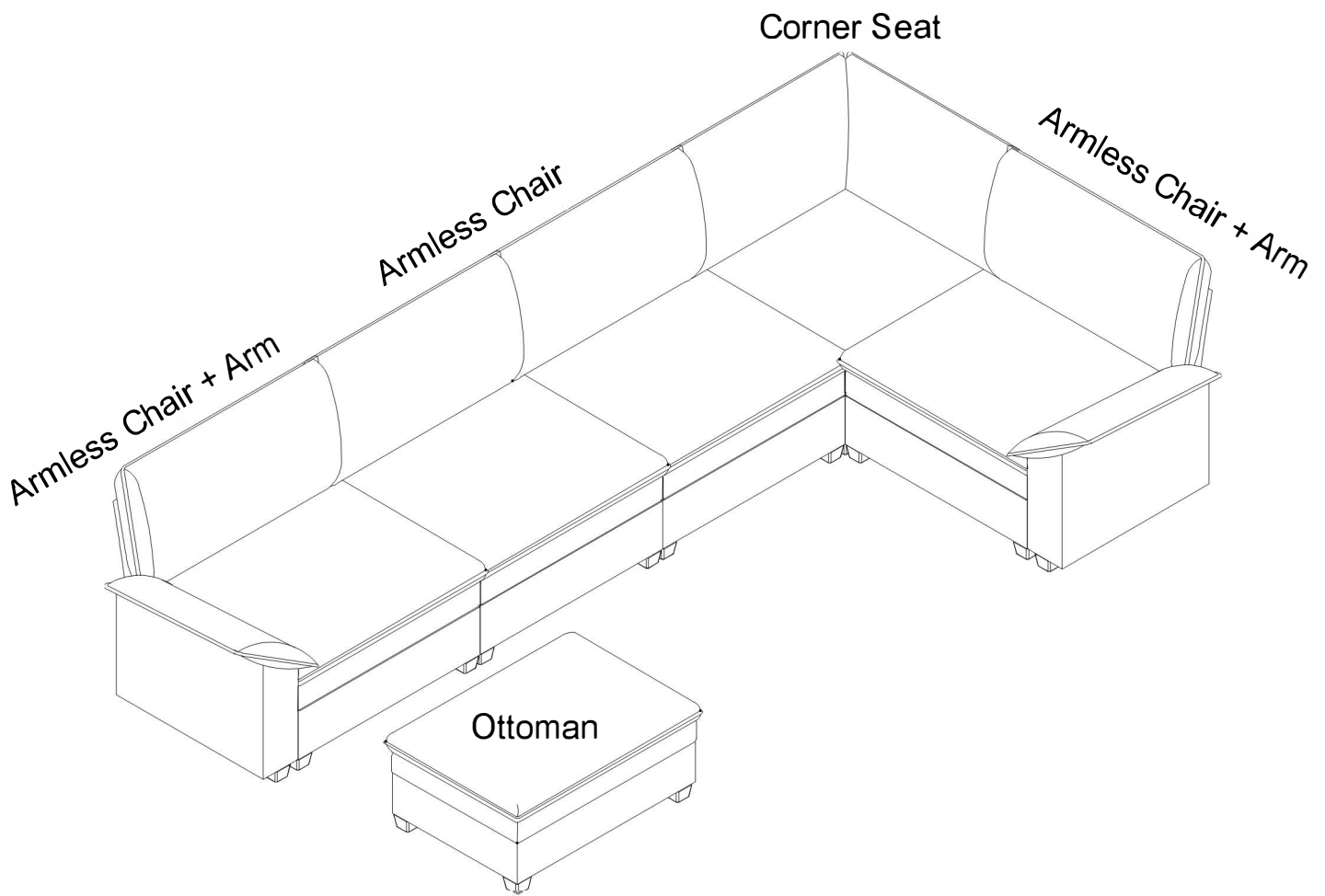
Armless Chair

Armless Chair

Corner Seat

Armless Chair + Arm





Care Instruction for Chenille Furniture:

In order to maintain the original appearance of your Chenille furniture, please follow below simple care procedures:

Avoid exposing furniture directly to sunlight or heating and air conditioning outlets. Sunlight and or exposure to heating and air conditioning outlets will fade/damage Chenille.

Vacuum or wipe with a soft cloth to remove dust.

Hardware may loosen over time. Periodically check to make sure all connection are tight, Re-tighten if necessary.

For item use on wooden floor, hard surfaces or carpets, it is recommended to install protective pads under all legs and supports to avoid/prevent from damages/scratches and discoloration.

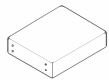




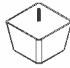




ASSEMBLY INSTRUCTION

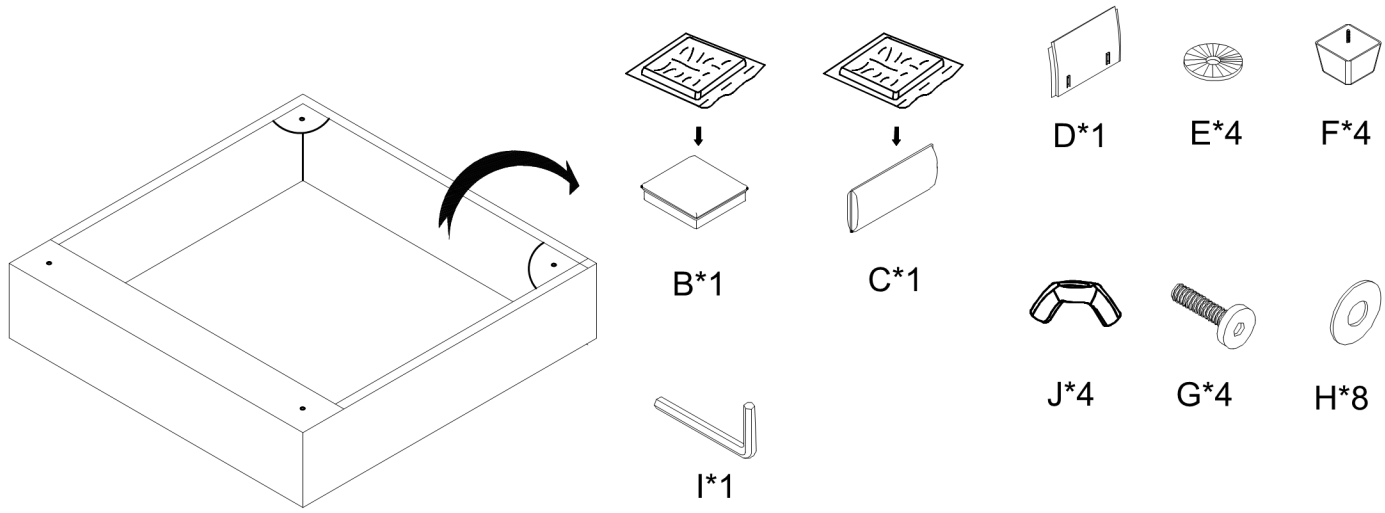
Armless chair



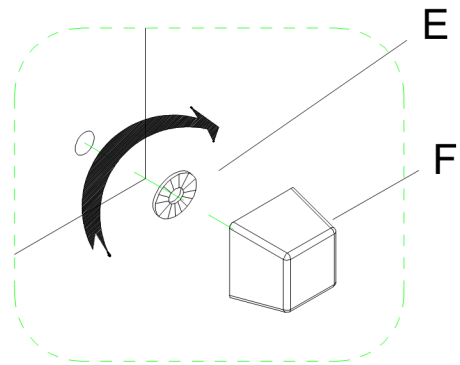
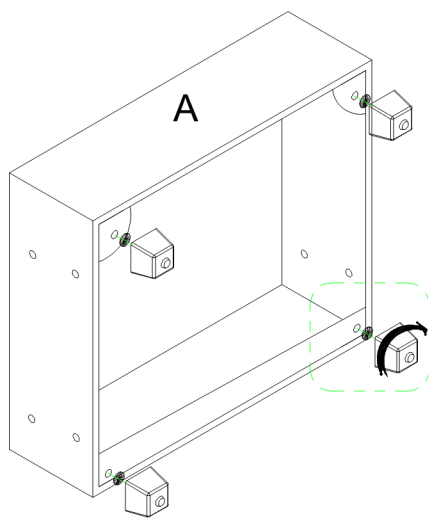
NOTE: Do not use power tools for assembly. Power tools increase the risk of over tightening which lead to splitting or cracking the wood.

CHAIR COMPONENT LIST

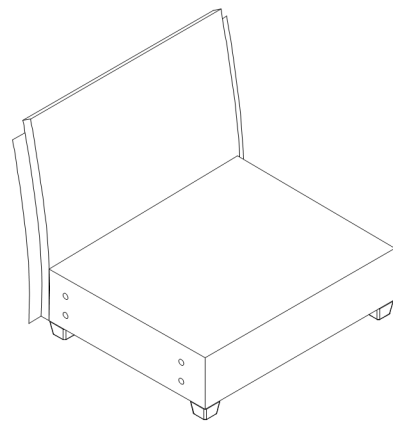
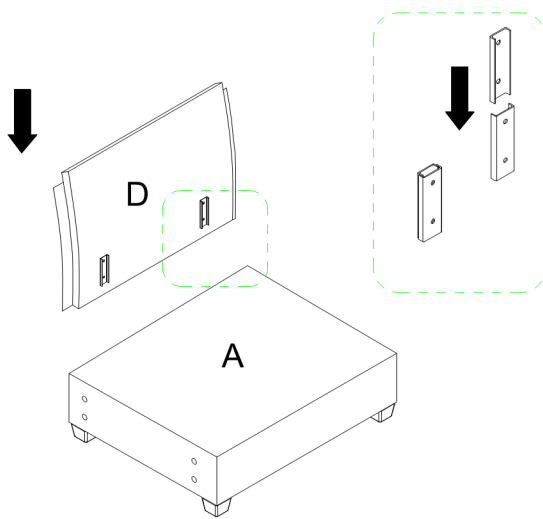
NO	DRAWING	QTY	DESCRIPTION
A		1	SEAT
B		1	SEAT CUSHION
C		1	BACK CUSHION
D		1	BACK PANEL
E		4	PLASTIC WASHER (Φ 45*3mm)
F		4	PLASTIC LEG(80*80*80mm)
G		4	BOLT 5/16*80mm
H		8	WASHER(Φ 19*1.5mm)
I		1	ALLEY KEY
J		4	BUTTERFLY NUT(30*13*13mm)



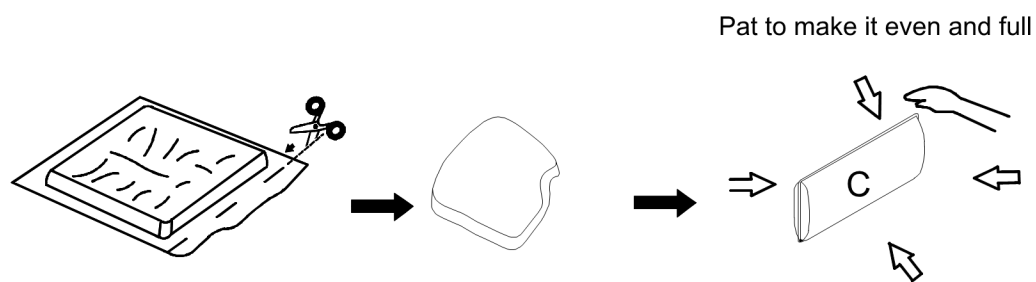
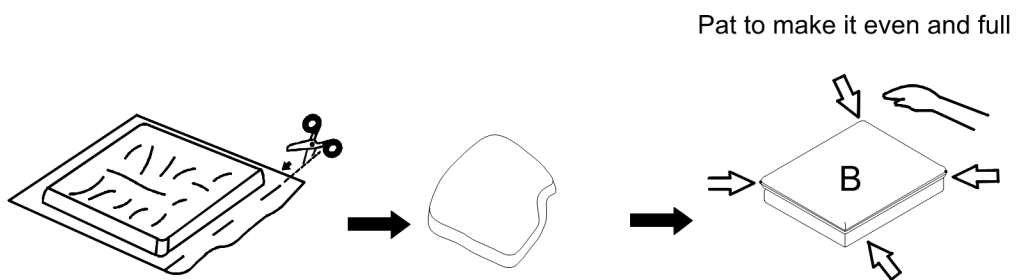
Step 1



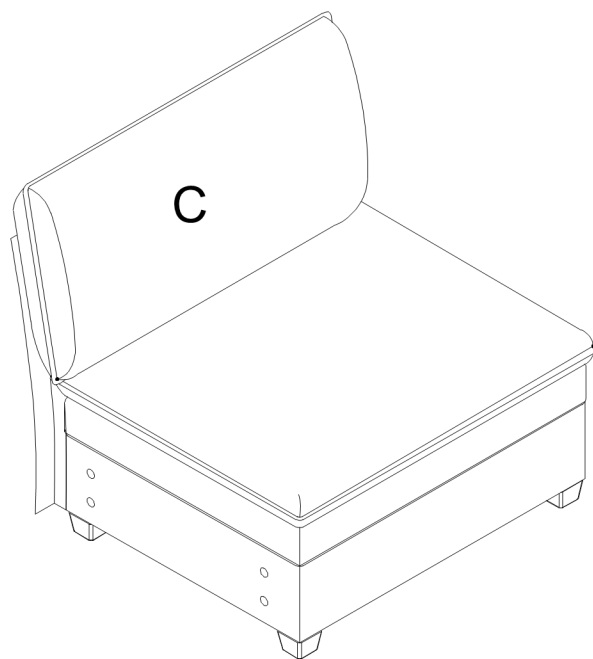
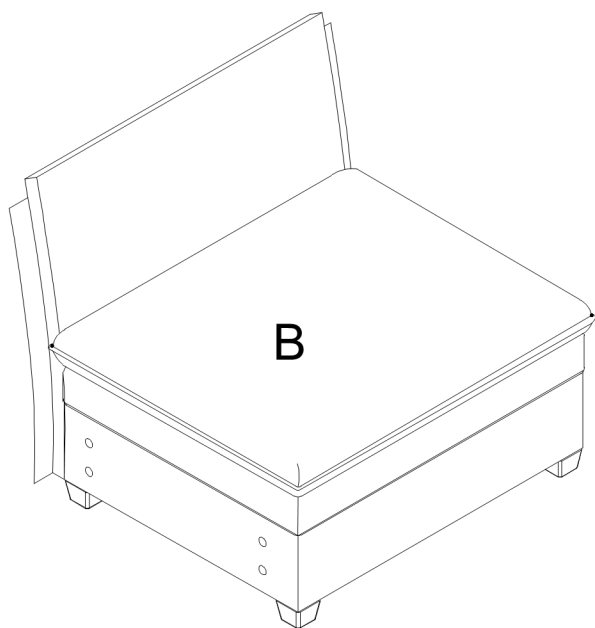
Step 2



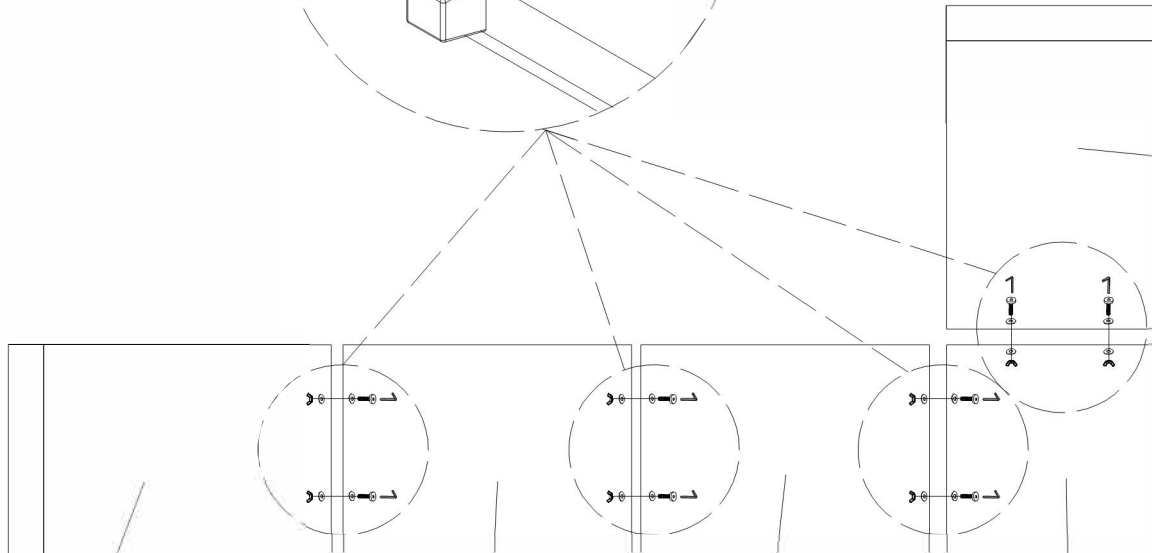
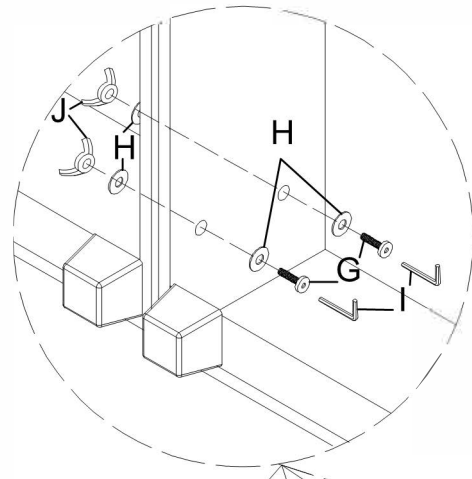
Step 3



Step 4



STEP 1



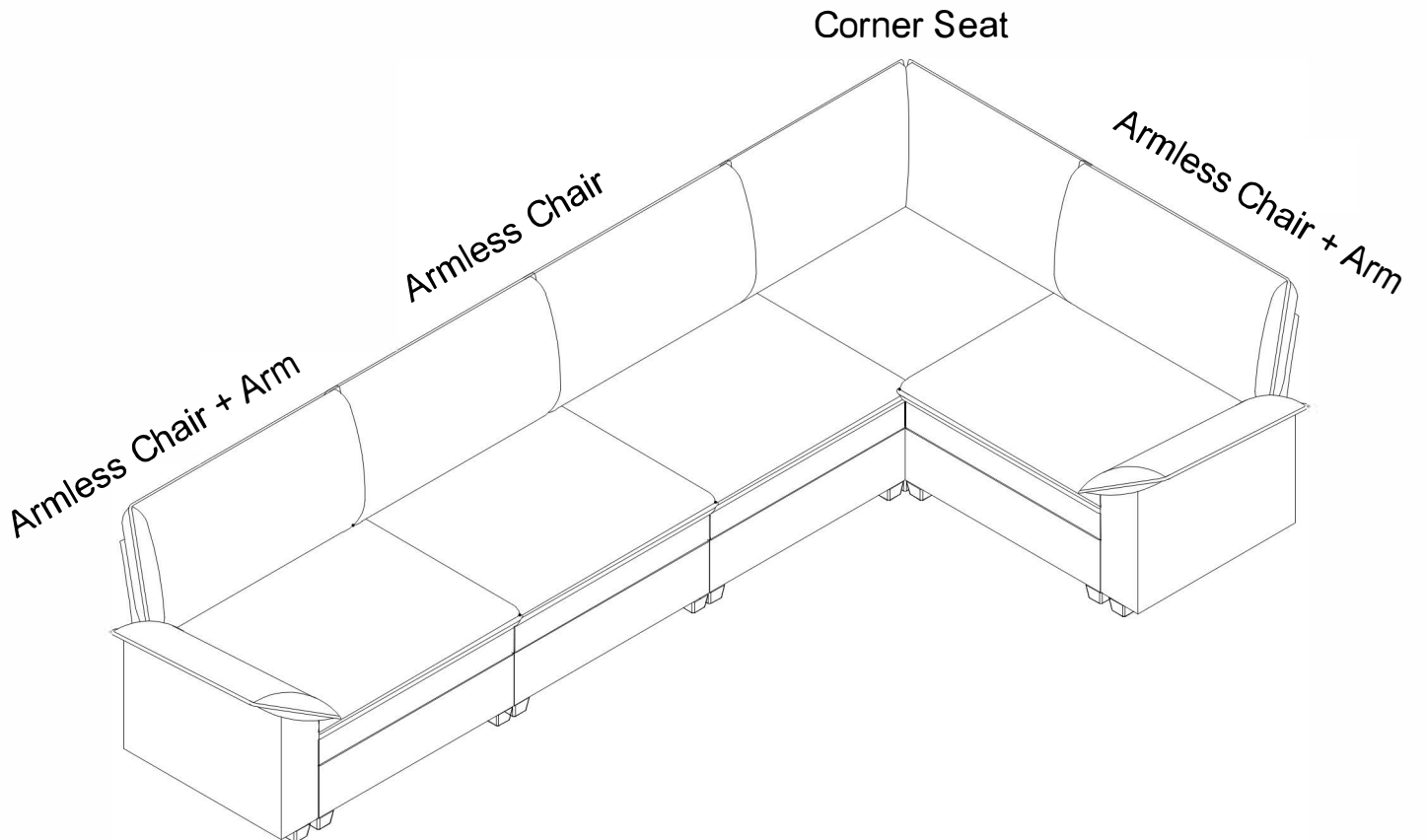
Armless Chair + Arm

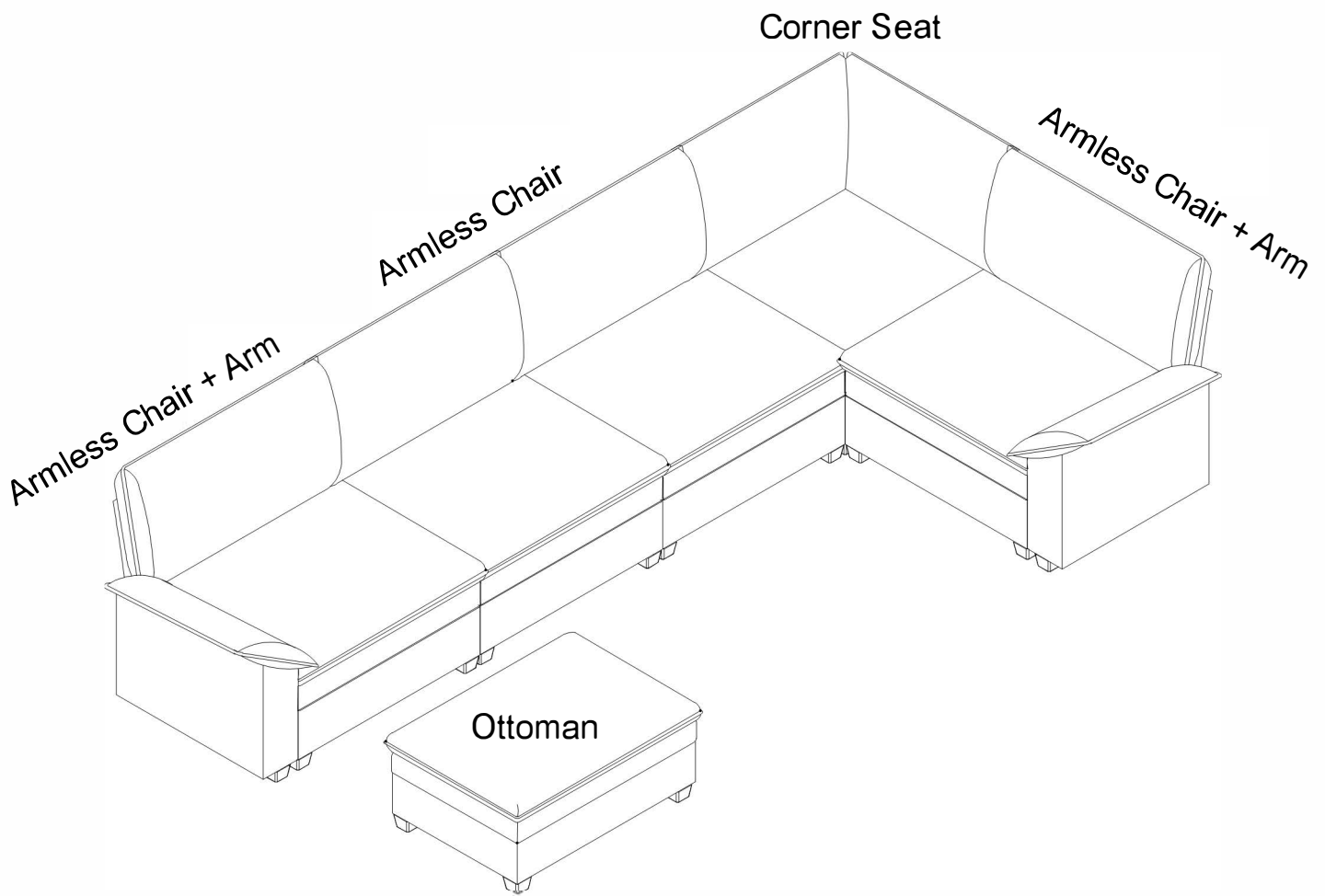
Armless Chair + Arm

Armless Chair

Armless Chair

Corner Seat





Care Instruction for Chenille Furniture:

In order to maintain the original appearance of your Chenille furniture, please follow below simple care procedures:

Avoid exposing furniture directly to sunlight or heating and air conditioning outlets. Sunlight and or exposure to heating and air conditioning outlets will fade/damage Chenille.

Vacuum or wipe with a soft cloth to remove dust.

Hardware may loosen over time. Periodically check to make sure all connection are tight, Re-tighten if necessary.

For item use on wooden floor, hard surfaces or carpets, it is recommended to install protective pads under all legs and supports to avoid/prevent from damages/scratches and discoloration.

ASSEMBLY INSTRUCTION

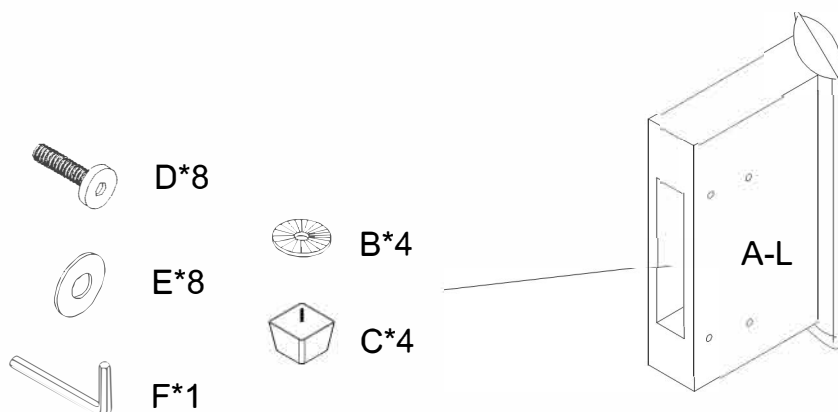
2 arms with adjustable pillow top



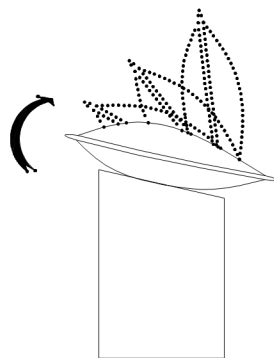
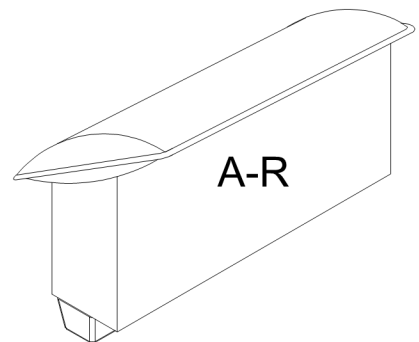
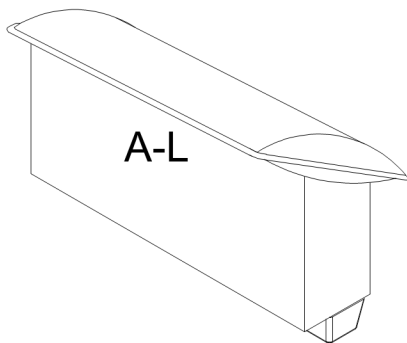
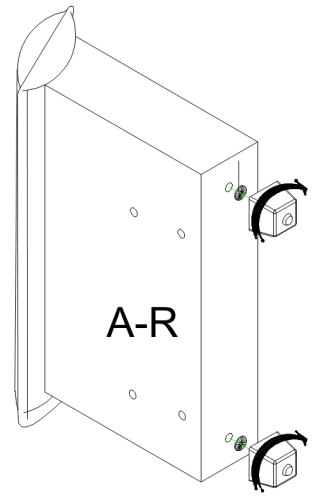
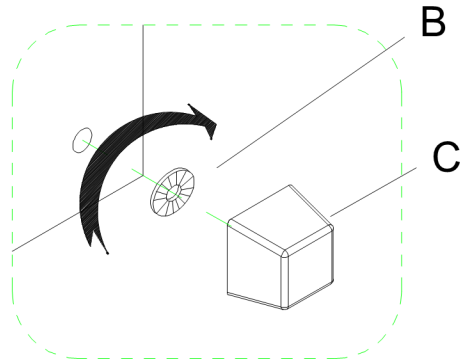
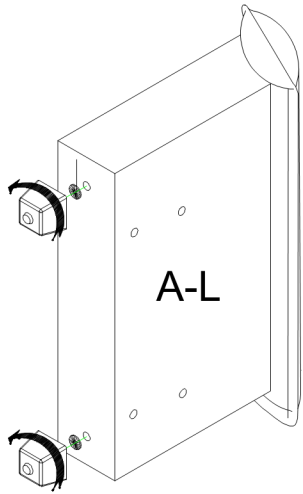
NOTE: Do not use power tools for assembly. Power tools increase the risk of over tightening which lead to splitting or cracking the wood.

ARM COMPONENT LIST

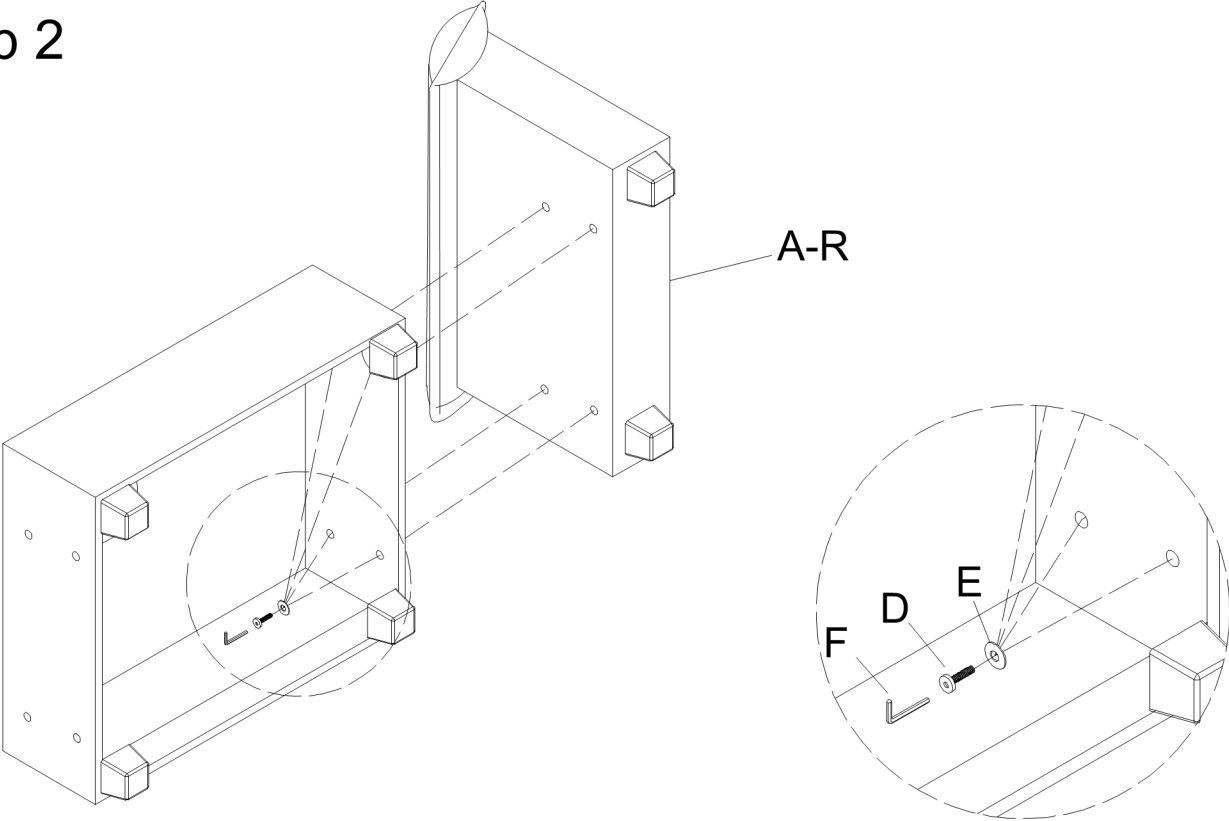
NO	DRAWING	QTY	DESCRIPTION
A-L		1	L LSF ARM
A-R		1	R RSF ARM
B		4	PLASTIC WASHER(Φ 45*3mm)
C		4	PLASTIC LEG(80*80*80mm)
D		8	BOLT M8*60mm
E		8	WASHER(Φ 19*1.5mm)
F		1	ALLEY KEY



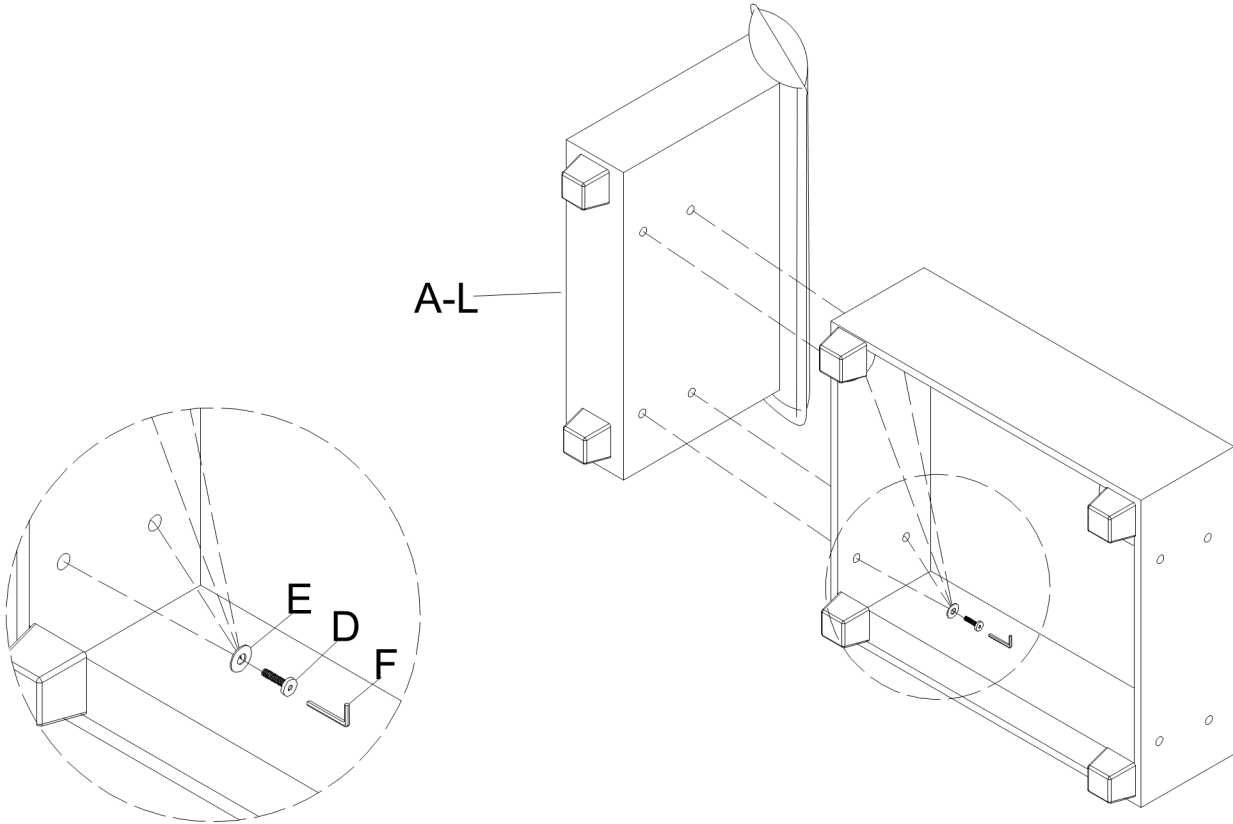
Step 1

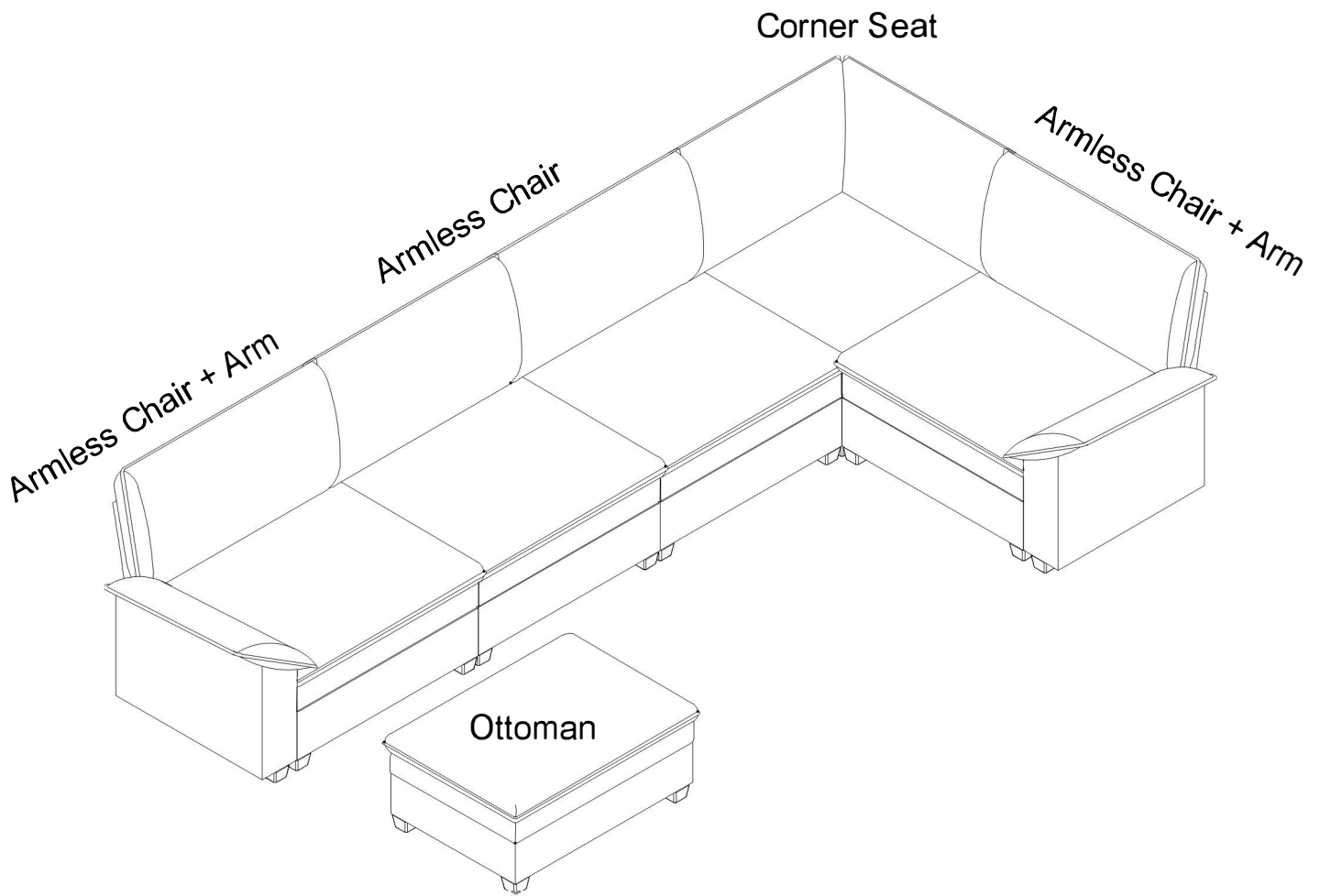


Step 2



Step 3





Care Instruction for Chenille Furniture:

In order to maintain the original appearance of your Chenille furniture, please follow below simple care procedures:

Avoid exposing furniture directly to sunlight or heating and air conditioning outlets. Sunlight and or exposure to heating and air conditioning outlets will fade/damage Chenille.

Vacuum or wipe with a soft cloth to remove dust.

Hardware may loosen over time. Periodically check to make sure all connection are tight, Re-tighten if necessary.

For item use on wooden floor, hard surfaces or carpets, it is recommended to install protective pads under all legs and supports to avoid/prevent from damages/scratches and discoloration.