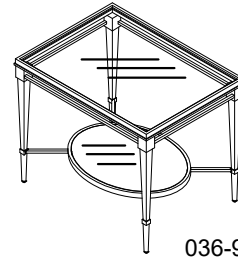


ASSEMBLY INSTRUCTIONS



036-915

TOOLS REQUIRED:

Allen key (supplied, part # E)

BEFORE YOU START:

1. Check the parts against the parts list to make sure all items are present.
2. Assemble your furniture on a soft, flat surface to avoid scratching the finish.
3. **CAUTION:** Do not over tighten screws, nuts or bolts during assembly.
4. Your furniture may require occasional tightening.

INSTRUCTIONS:

1. Lay the iron frame upside down, attach four legs to the iron frame, using Bolt (B), Lock Washers (C) and Flat Washers (D). Tighten with Allen key (E). (See Figure 1).
2. Carefully lay table top upside down on a flat, soft surface. Attach the iron frame to the iron table frame, using Bolt (A). Tighten with Allen key (E). (see Figure 2).
3. Remove the panel shelf from the iron shelf. (see Figure 3)
4. Turn the iron shelf upside down. Attach the iron shelf to the bottom of the legs, align pre-drilled holes in iron shelf with hole in bottom of the legs. Insert hanger bolt on Bun foot through pre-drilled holes on iron shelf into metal insert bottom of the legs as shown. Tighten all Bun feet. (Figure 4)

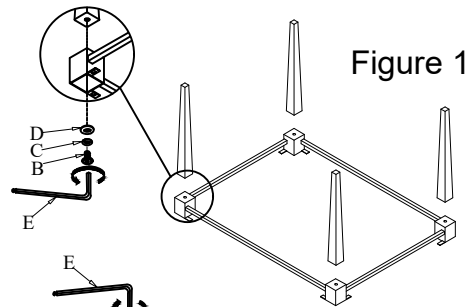


Figure 1

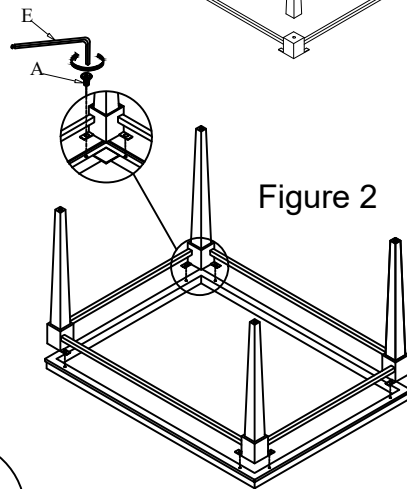


Figure 2

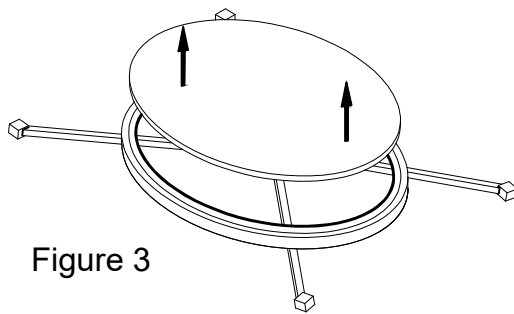


Figure 3

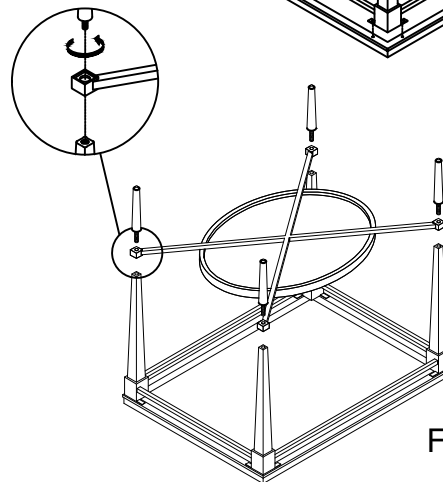





Figure 4

No.		Hardware List	Q'ty
A		Bolt Ø1/4xL5/8"	8
B		Bolt Ø5/16xL1"	4
C		Lock Washer Ø5/16xØ14x1mm	4
D		Flat Washer Ø5/16xØ18x1mm	4
E		Allen Key 4mm	1
F		Felt plastic bumpers	4

828-728-3261
 www.Hammary.com

ASSEMBLY INSTRUCTIONS

TOOLS REQUIRED:

Allen key (supplied, part # E)

BEFORE YOU START:

1. Check the parts against the parts list to make sure all items are present.
2. Assemble your furniture on a soft, flat surface to avoid scratching the finish.
3. **CAUTION:** Do not over tighten screws, nuts or bolts during assembly.
4. Your furniture may require occasional tightening.

INSTRUCTIONS:

5. Install the panel into the iron shelf. (see Figure 5).
6. Install glass shelf into the iron shelf. (see Figure 6).
7. Attach the felt plastic bumpers on to the corners of the top iron table frame. (see Figure 7).
8. Carefully install the top glass into the top iron table frame. (see Figure 8).

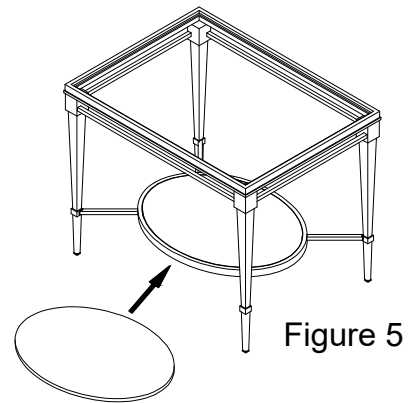
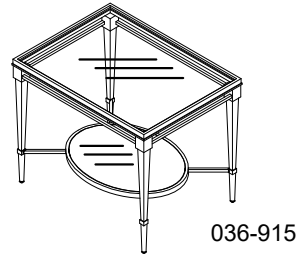


Figure 5

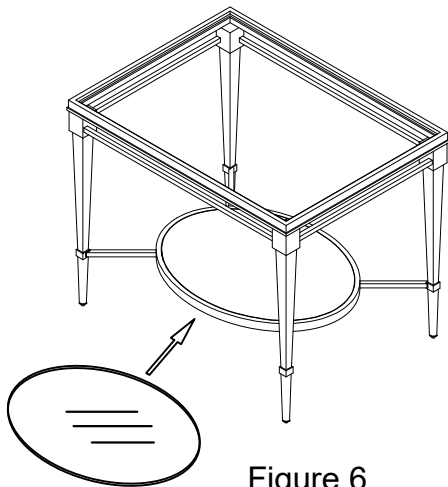


Figure 6

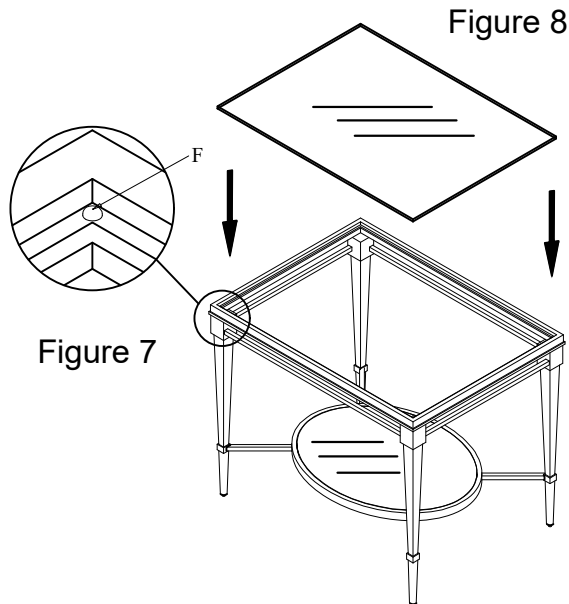


Figure 7

Figure 8

No.		Hardware List	Q'ty
A		Bolt Ø1/4xL5/8"	8
B		Bolt Ø5/16xL1"	4
C		Lock Washer Ø5/16xØ14x1mm	4
D		Flat Washer Ø5/16xØ18x1mm	4
E		Allen Key 4mm	1
F		Felt plastic bumpers	4

Thank you for purchasing furniture
from Hammary!