

BED FRAME

affurnishings.com

TWIN XL

ASSEMBLY INSTRUCTIONS

Before assembling your bed frame, please read through these instructions carefully and familiarize yourself with the different parts.

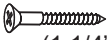


ATTENTION! If you receive a damaged or defective item, please contact affurnishings.

PARTS LIST

- ① **SIDE RAILS** **2 PCS**
- ② **SLAT KIT** **2 SET**

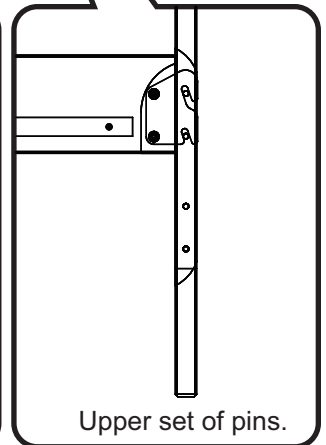
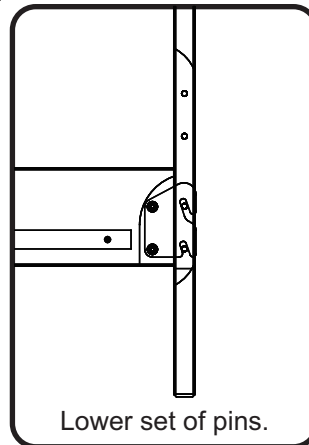
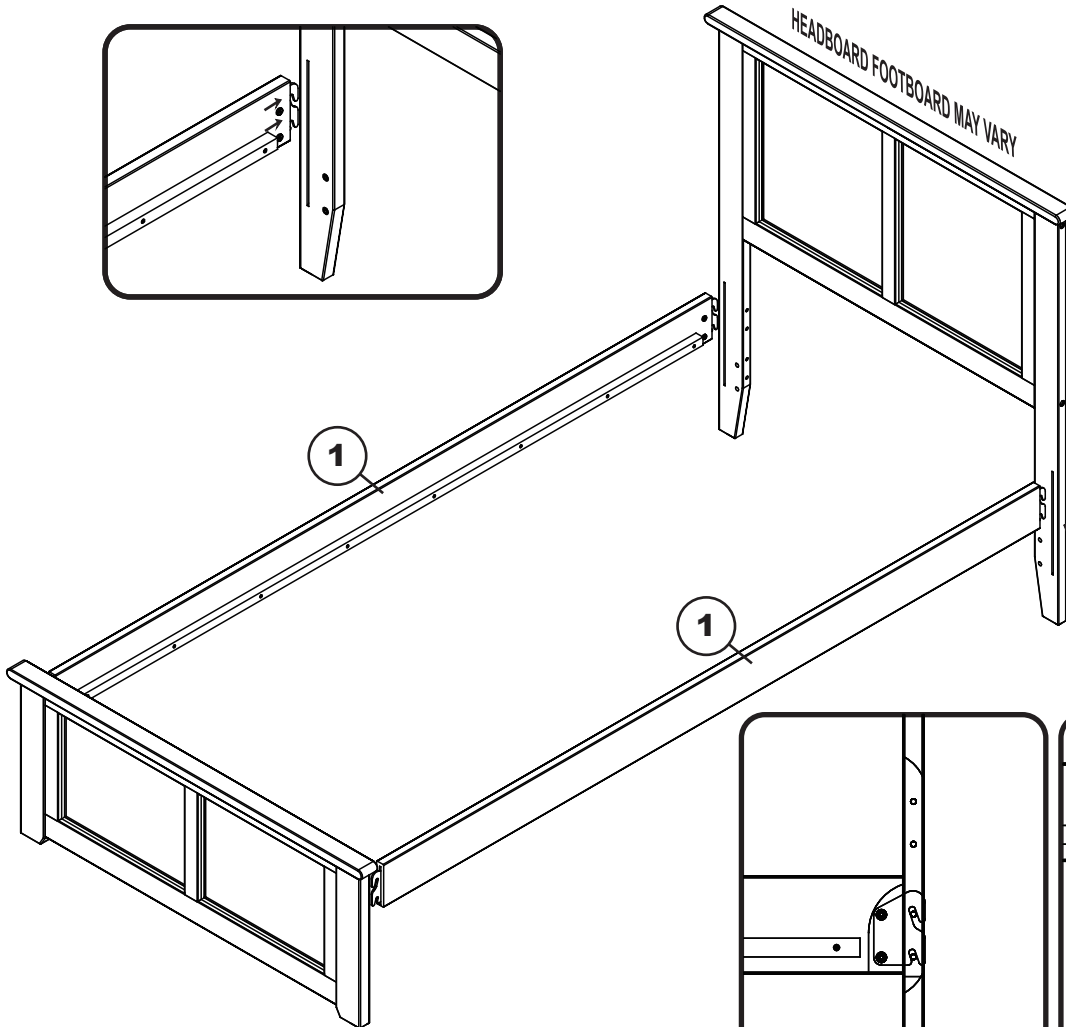
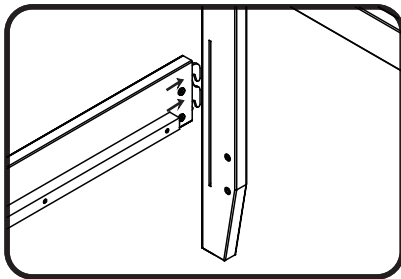
HARDWARE

- Ⓐ  Wood screw(1 1/4") - 12 pcs
Spare - 1 pc

NOTE: WE INCLUDE SPARE HARDWARE IN CASE DAMAGE OCCURS DURING ASSEMBLY.

Step 1

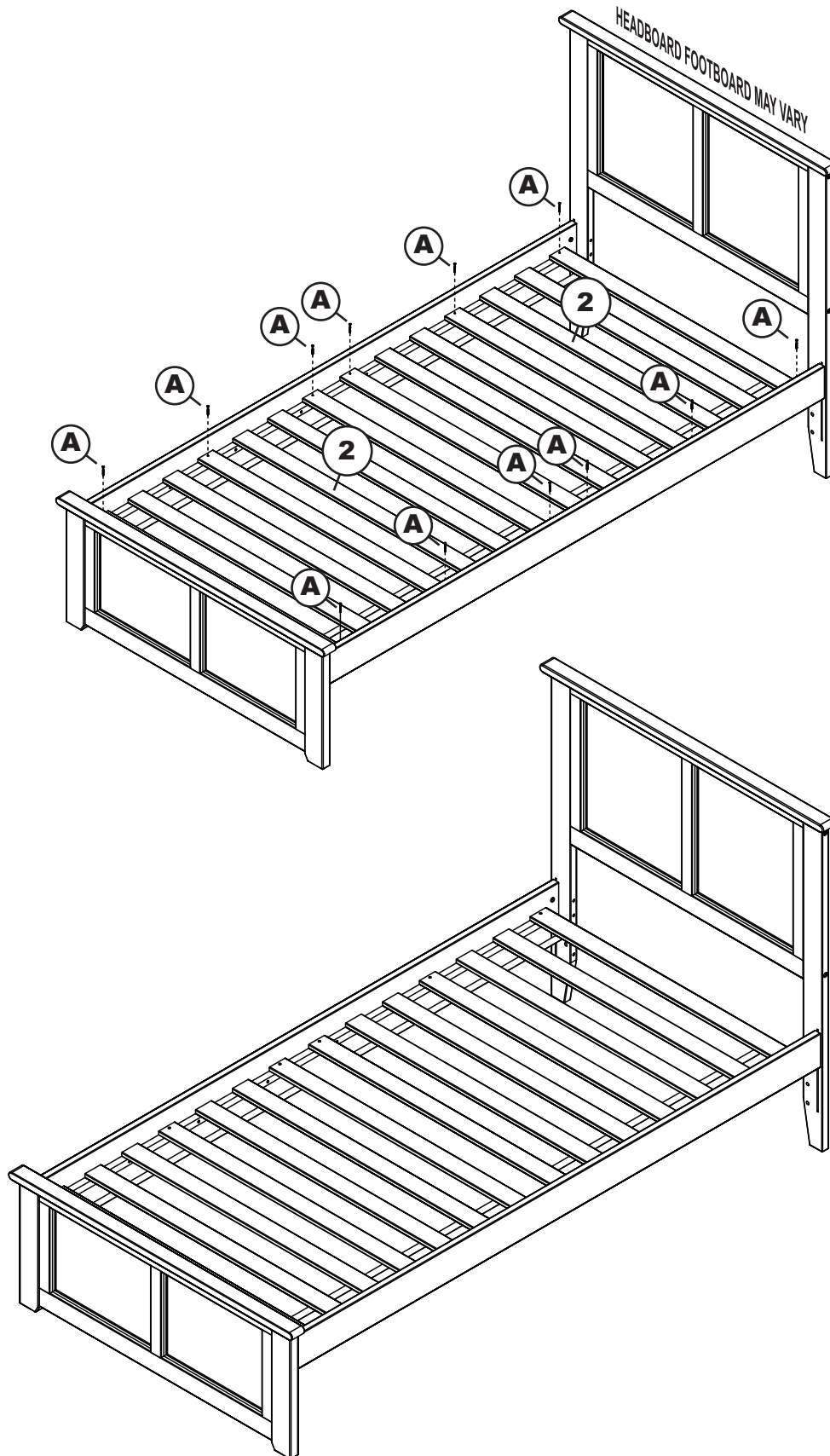
Attach side rails (1) to the headboard and footboard. For assembly, follow the assembly instructions included with your headboard and footboard.



TWIN XL

Step 2

Attach slat kit (2) to the bed as shown below using wood screws 1 1/4" (A). Tighten with Phillips head screw driver. (customer supplied)



Congratulations!

Your bed is now ready for use.

We recommend that you periodically recheck that all screws are tight to ensure lasting safety.

BED WITH MATCHING FOOTBOARD

ASSEMBLY INSTRUCTIONS

Before assembling your bed, please read through these instructions carefully and familiarize yourself with the different parts.

ATTENTION! If you receive a damaged or defective item, please contact affurnishings.



PARTS LIST

- 1 HEADBOARD PANEL 1 PC
- 2 LEFT LEG 1 PC
- 3 RIGHT LEG 1 PC
- 4 FOOTBOARD 1 PC

Instructions apply for bed sizes
TWIN

HARDWARE

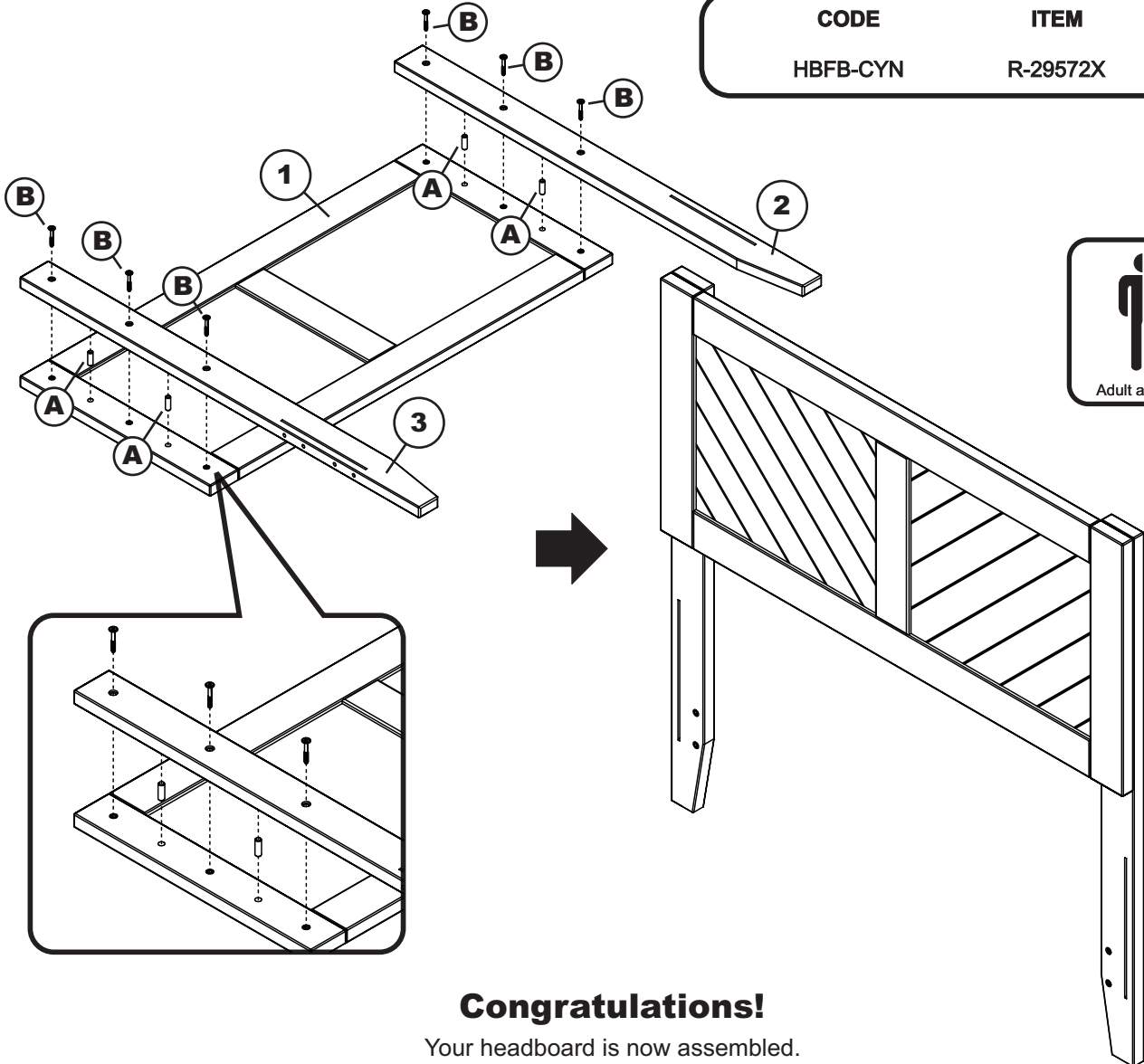
- (B) JCB M6 X 40mm (1 1/2") - 6 pcs
Spare - 1 pc
- (A) Wooden dowel - 4 pcs
Spare - 1 pc
- (C) Allen wrench - 1pc
Spare - 1pc

NOTE: WE INCLUDE SPARE HARDWARE IN CASE DAMAGE OCCURS DURING ASSEMBLY.

Step 1

Attach the legs (2) and (3) to headboard panel (1), using wooden dowels (A) and JCB (B). Tighten with the Allen wrench (C).

CODE	ITEM
HBFB-CYN	R-29572X



Congratulations!

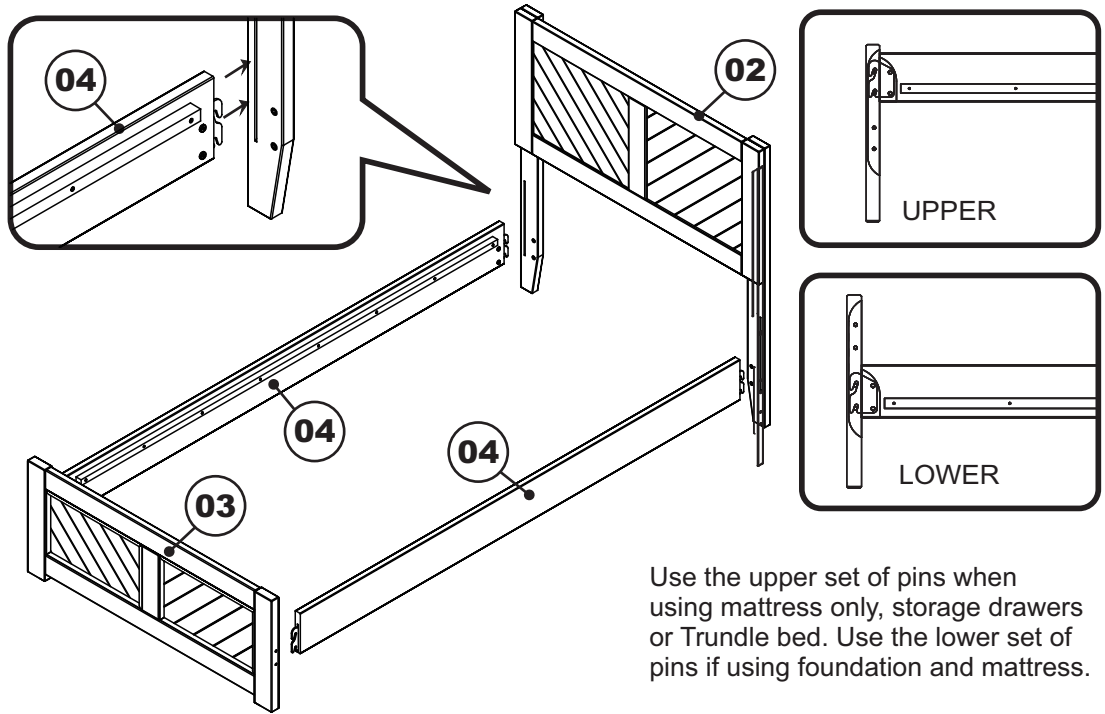
Your headboard is now assembled.

To ensure lasting safety, we recommend that you periodically check that all screws are tight and all parts are secure.

- 01 HARDWARE
 - 02 HEADBOARD
 - 03 FOOTBOARD
 - 04 SIDE RAILS
 - 05 SLAT KIT
- BOX 1
- BOX 2



Step 1 Attach the side rails (04) to the headboard (02) and footboard (03) using the bed hook as shown below.



Step 2 Attach slat kit (05) onto the bed. For assembly of slat kit, follow the assembly instructions included with bed frame.

