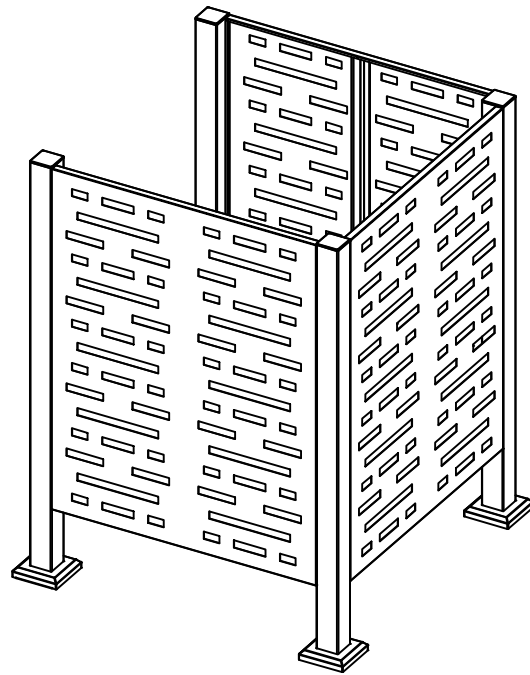


Steel Fence Cover

OWNER'S MANUAL

Instructions for Assembly



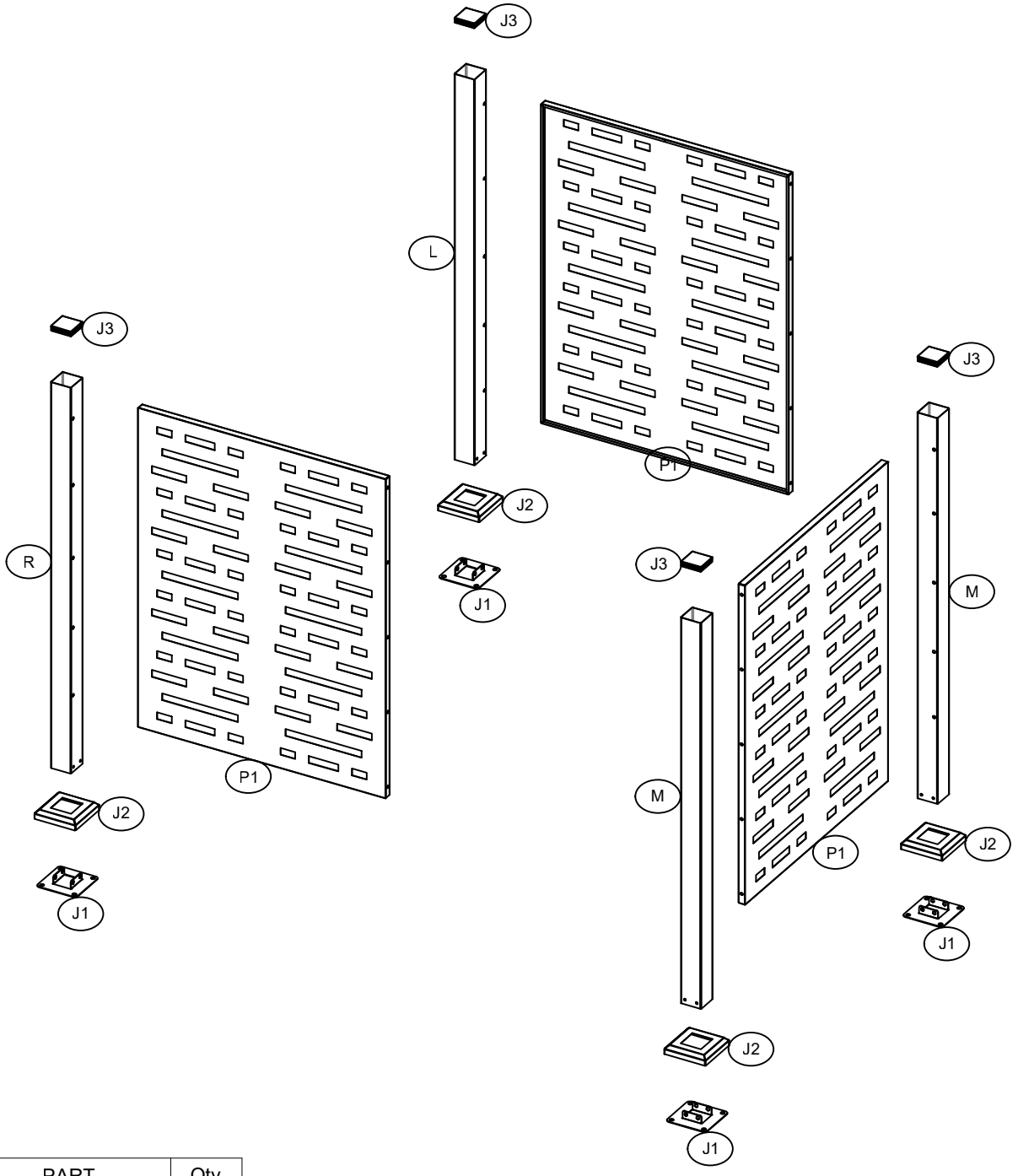
FB-JT04

Requires two people and takes 0.2-1.5 hours for Installation.

Quick & Easy Assembly

Ridge Reinforced Walls

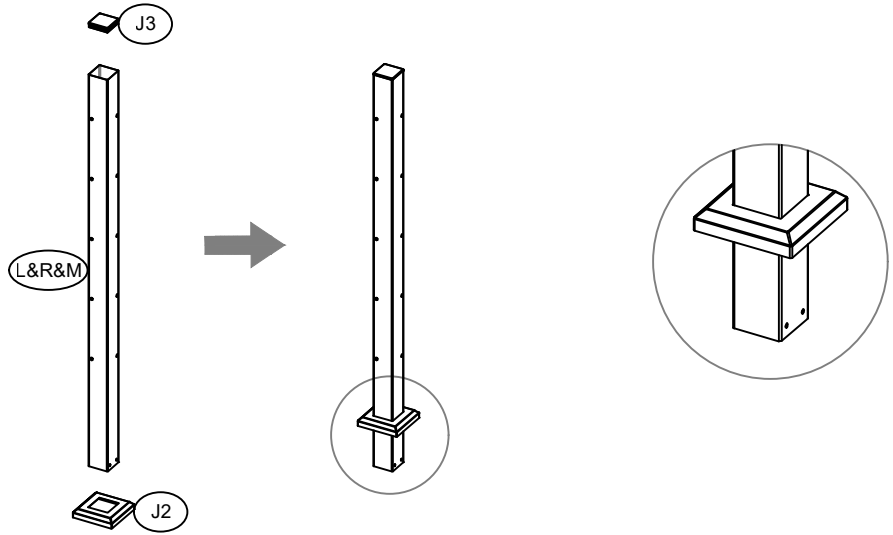
Available in Various Sizes



NO.	PART	Qty.
J1		4
J2		4
J3		4
L		1
R		1
M		2
P1		3
F1		46
A6		16
A7		16
S3		16

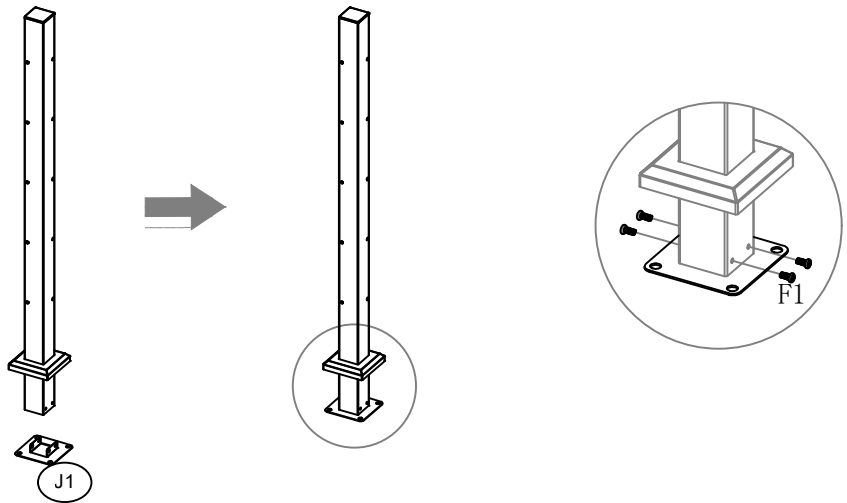
NO.	PART	Qty.
J2		4
J3		4
L		1
R		1
M		2

X4



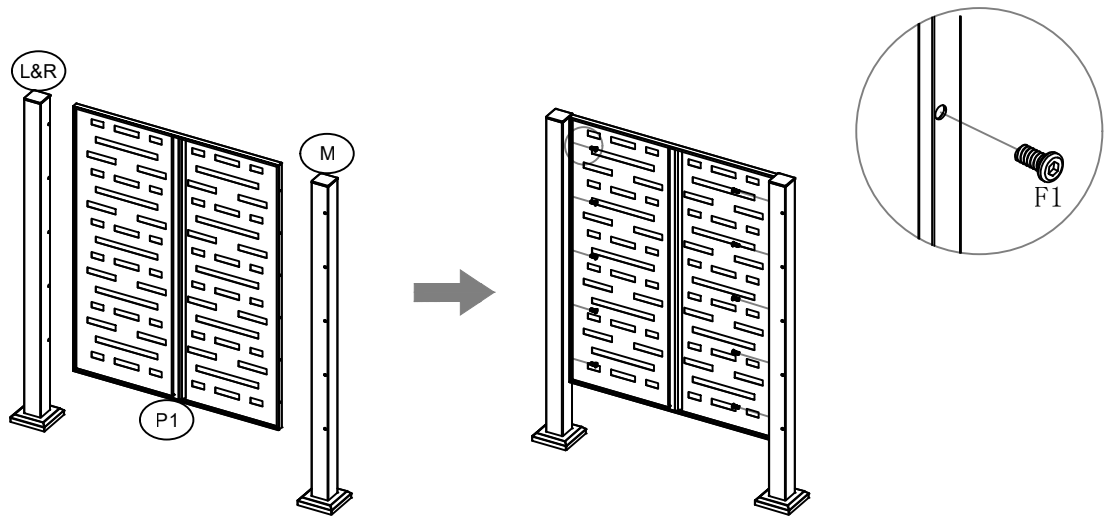
NO.	PART	Qty.
J1		4


X4

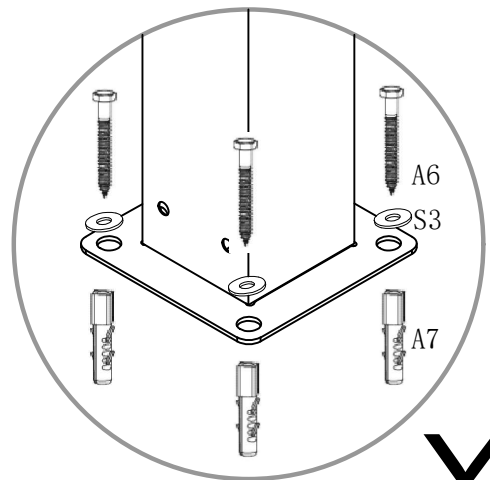
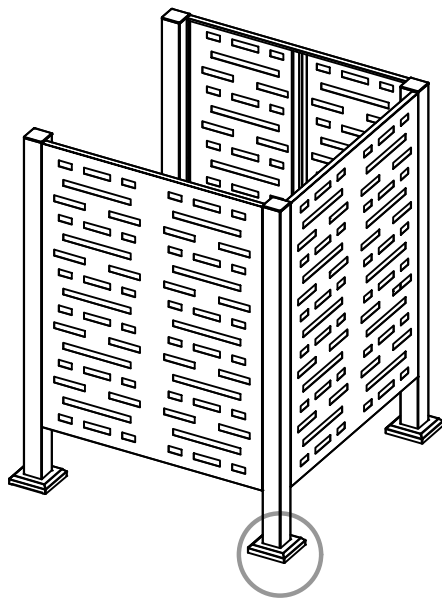
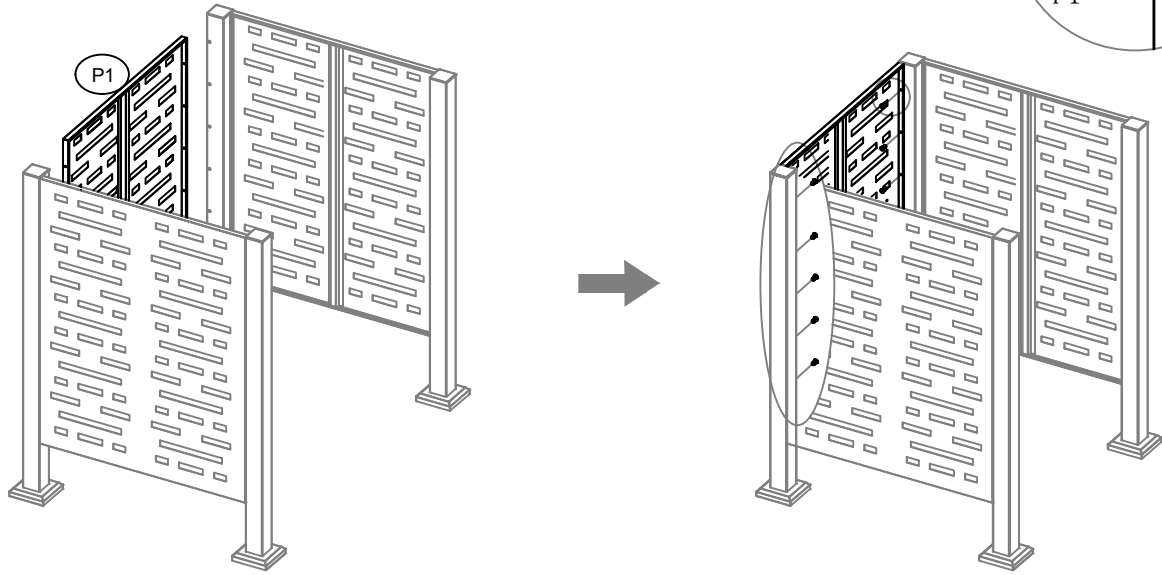
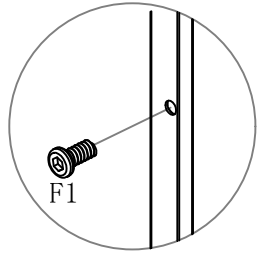


NO.	PART	Qty.
P1		2

X2



NO.	PART	Qty.
P1		1



X4