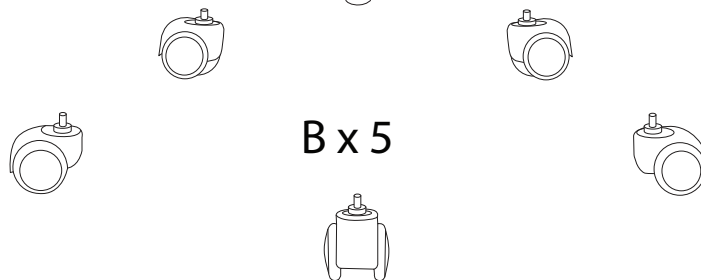
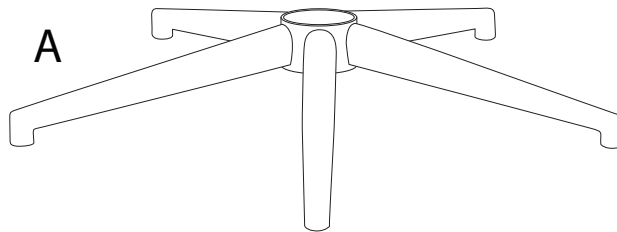
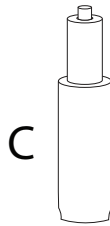
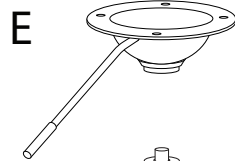
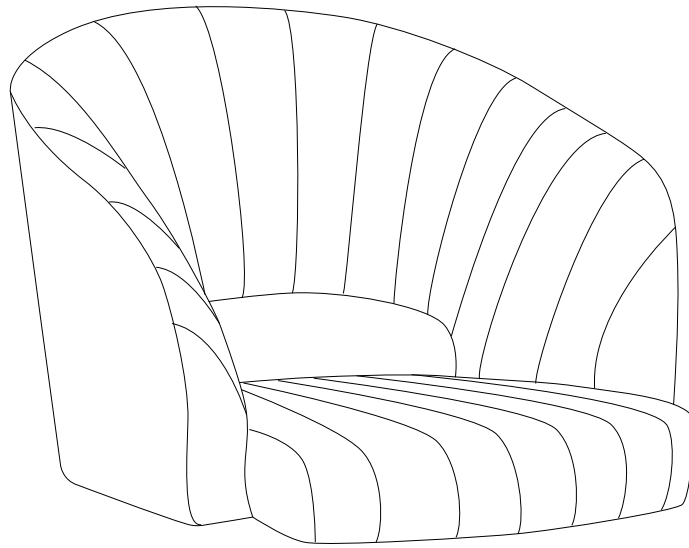
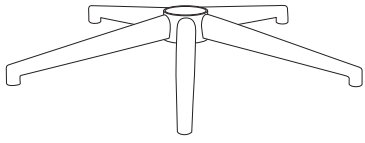


		<b>15'</b>
		<b>1</b>

D

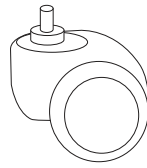


A



x 1

B



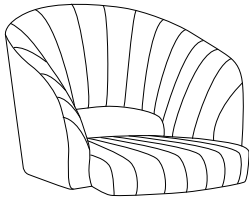
x 5

C



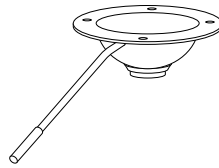
x 1

D



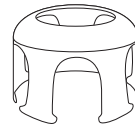
x 1

E



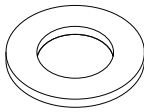
x 1

F



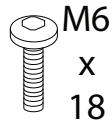
x 1

G



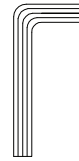
x 4

H



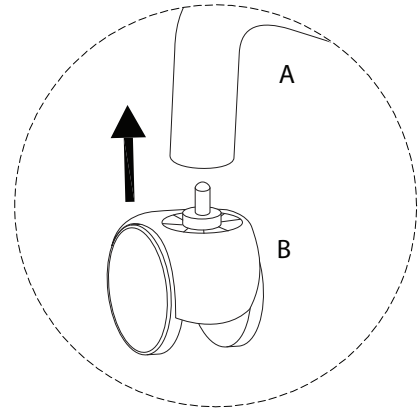
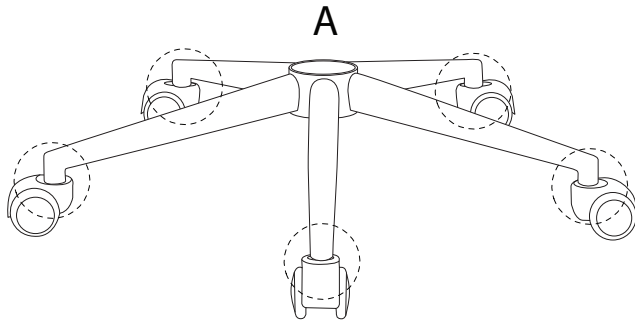
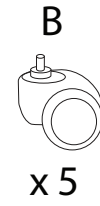
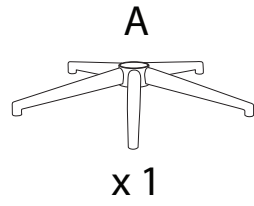
x 4

I

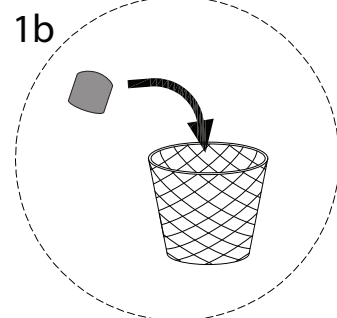
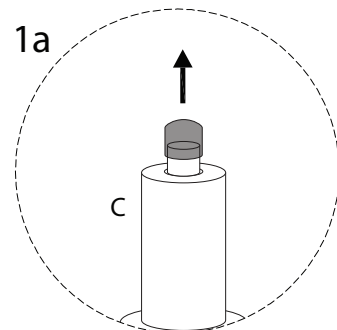
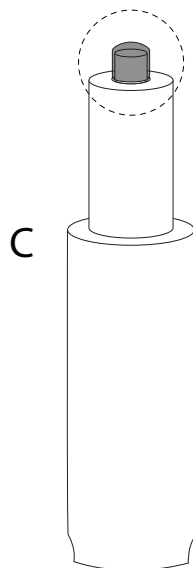


x 1

1

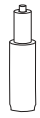


!



2

C

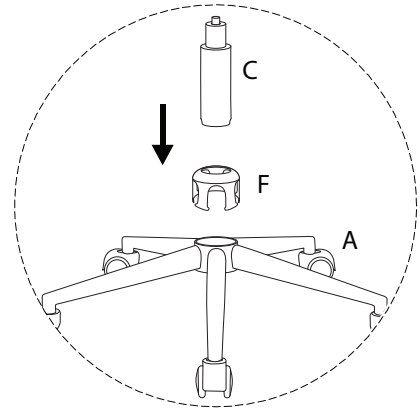
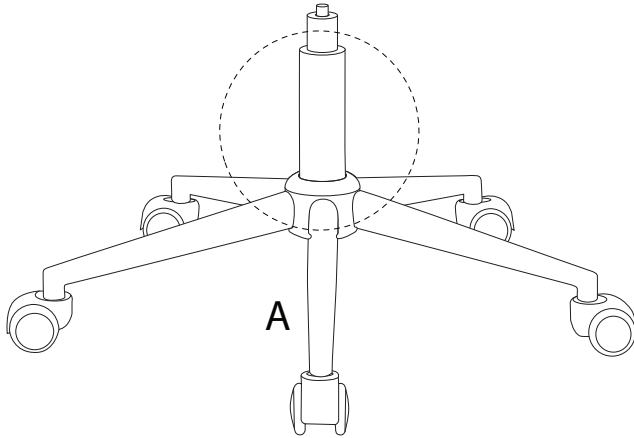


x 1

F

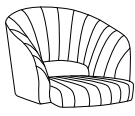


x 1



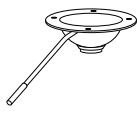
3

D



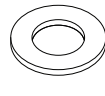
x 1

E



x 1

G



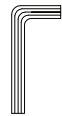
x 4

H

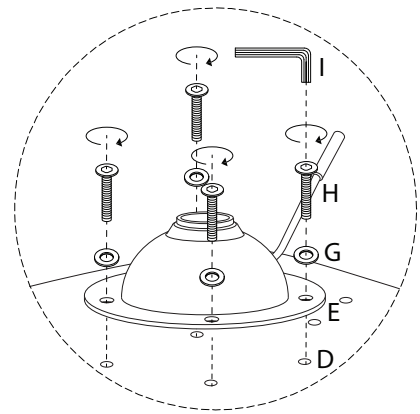
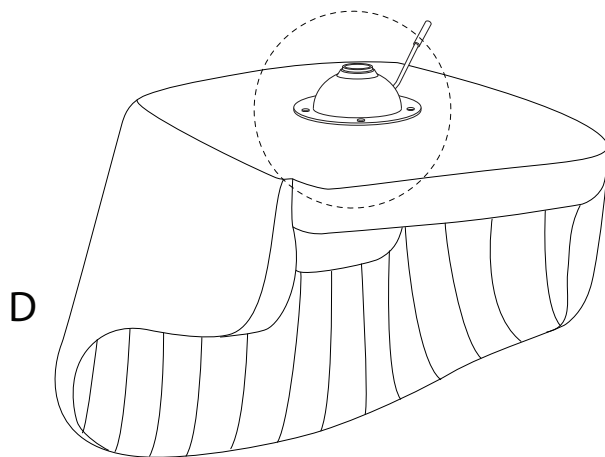


x 4

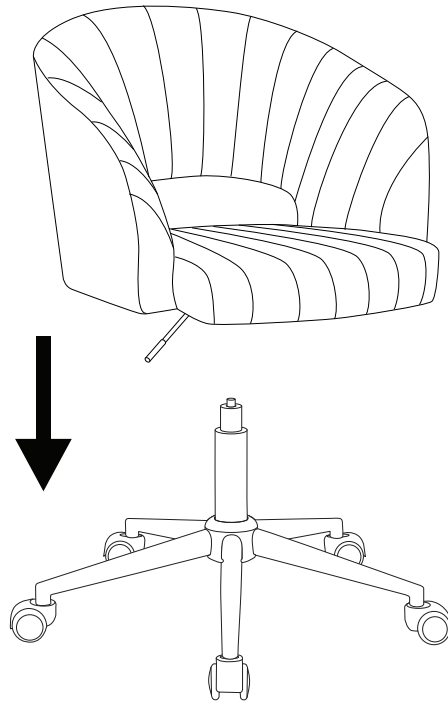
I



x 1



4



!

