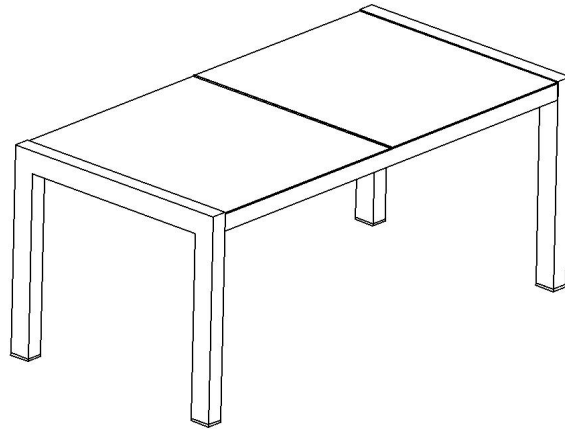


Assembly Instructions

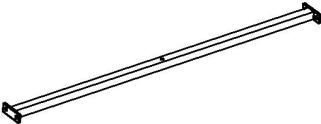
Caution : You should read this carefully before you proceed

Table





Parts List

Label	Picture	Description	QTY
A		Leg	2
B		Table Top	2
C		Top Side Bar	2
D		Middle Support Bar	1

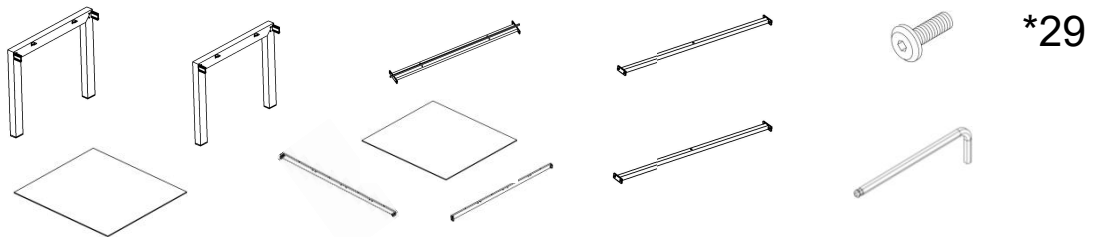
E		Side Support Bar	2
---	---	------------------	---

Hardware

Label	Picture	Description	QTY
①		Bolt (M6*20MM) Flat Head	29
②		Allen Key	1

Assembly Preparation

Before Beginning Assembly:



- Read instructions, cover to cover-



- Have 2 adults on hand for assembly-



- Do not assemble on flooring or carpet-



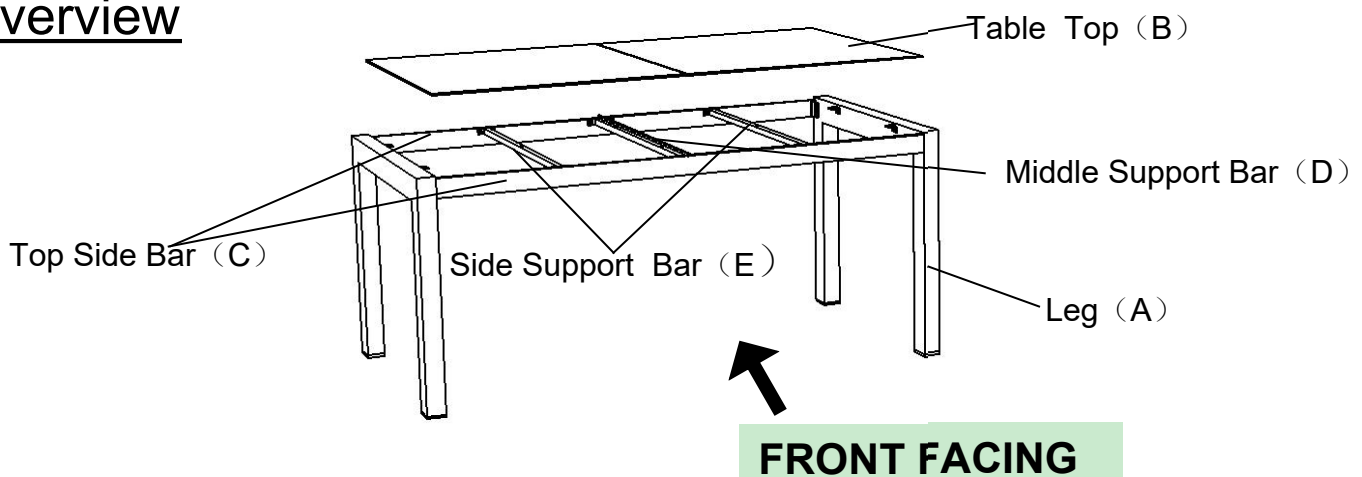
- Assemble on a clean non-marring surface (packing foam)-



- Save all packaging until finished-

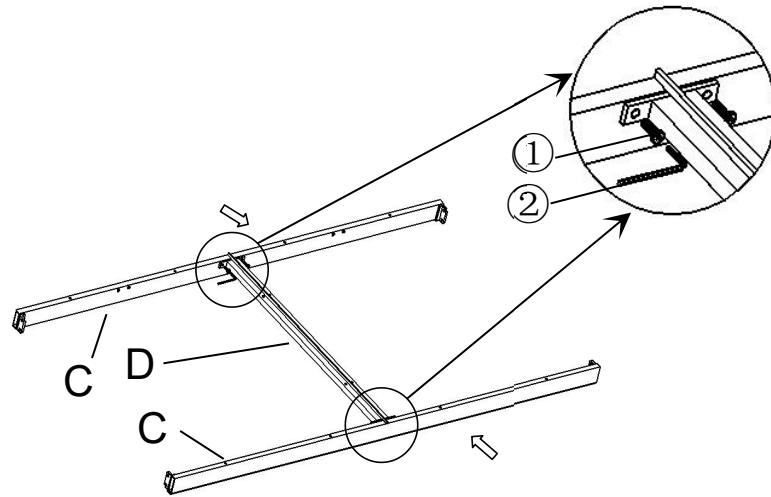
Assembly Steps

Overview



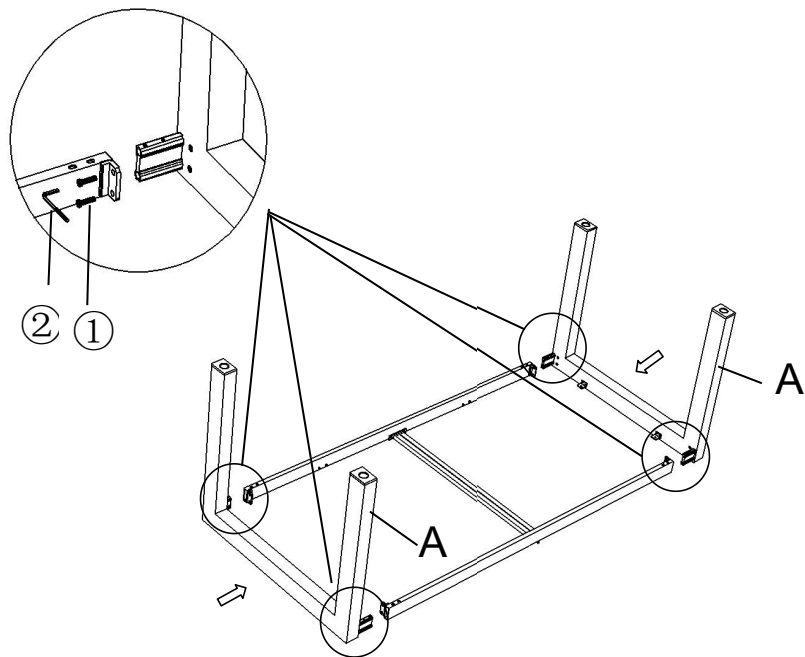
This Table has multiple parts and may require up to 30 minutes to assemble. To give you an overview of the Table parts, the above picture is provided to help you put the various parts into perspective. Please read through the instructions below to familiarise yourself with the parts and steps before assembly.

Step 1



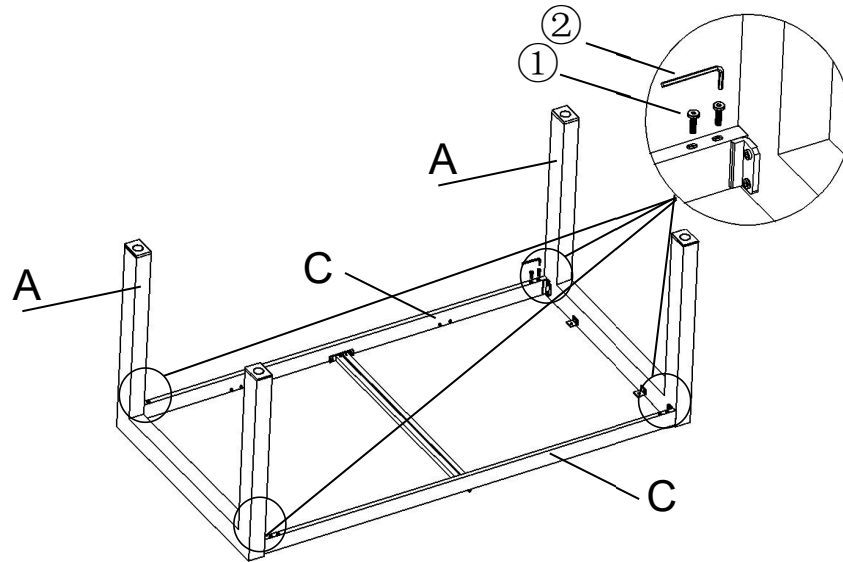
Open the carton and place all the parts onto a clean, non-marring surface.
Attach the Middle Support Bar(D) between the 2 Top Side Bars(D) with Bolts(1), using the Allen Key(2) as shown above.
Do not fully tighten Bolts.

Step 2



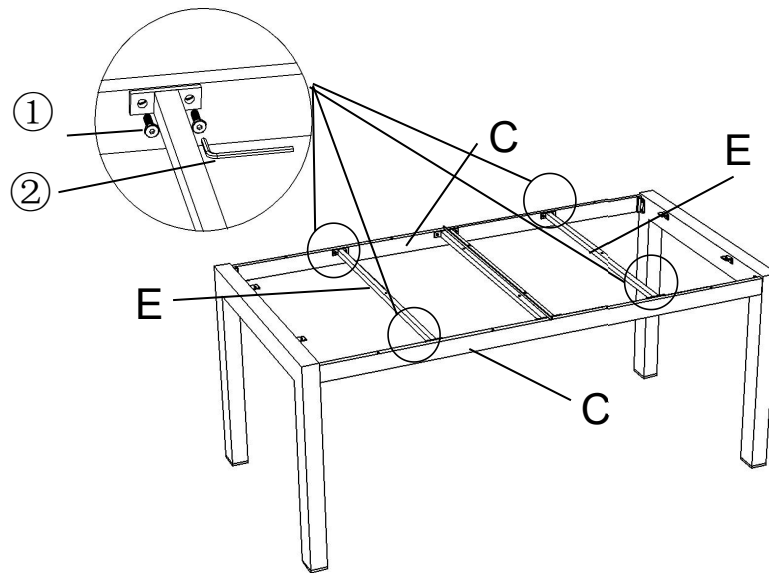
Insert the Legs(A) into the sides of the Top Side Bars(C).
Attach the Legs(A) to the Top Side Bars(C) with Bolts(1), using the Allen Key(2) as shown above.
Do not fully tighten Bolts.

Step3



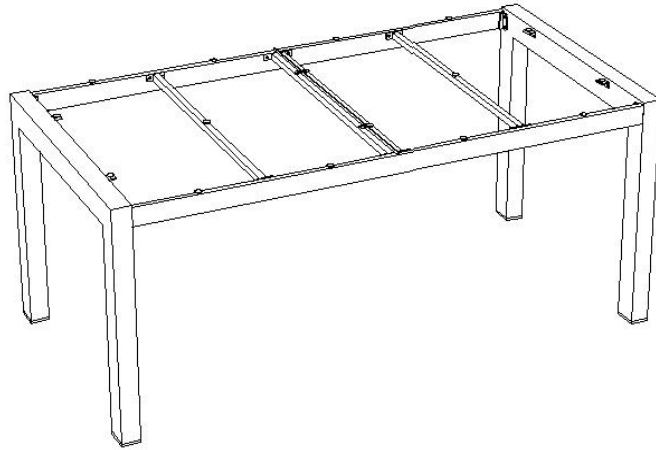
Connect the legs (A) with the two top support rods (C) with bolts (1), and use the Allen Key (2) to completely tighten the bolts, as shown above.

Step4



Use bolts (1) on both sides of the support rods (E) connected between the two top support rods (C), use the Allen Key (2) to completely tighten the bolts, as shown above.

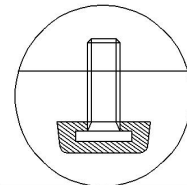
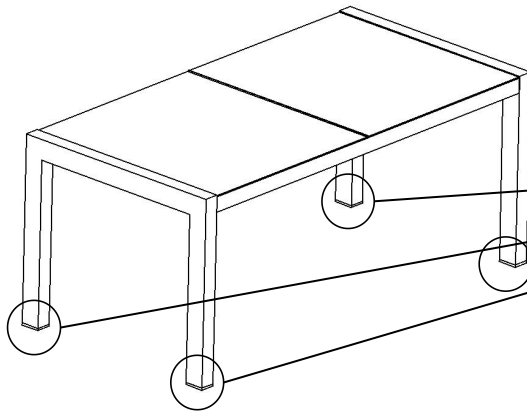
Step5



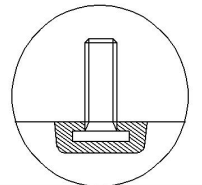
Stand up the table, check stability and then tighten all Bolts at all joints.

Note: DO NOT fully tighten a BOLT in one go and then move on to the next. Rather in a sequential manner, gradually tighten each Bolt until all Bolts are evenly secured. This methodology will ensure maximum evenness once all Bolts are fully tightened.

Step6



Adjust high for
balance



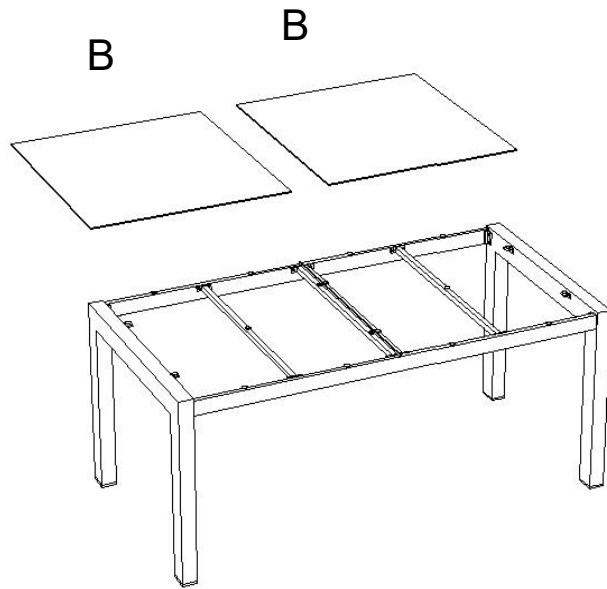
Adjust low for
balance

Adjust the Legs' Pre-installed Levelers until the Table is level.

adjust the Levelers, tilt the Table to rest on 2 legs with assistance from your adult partner.

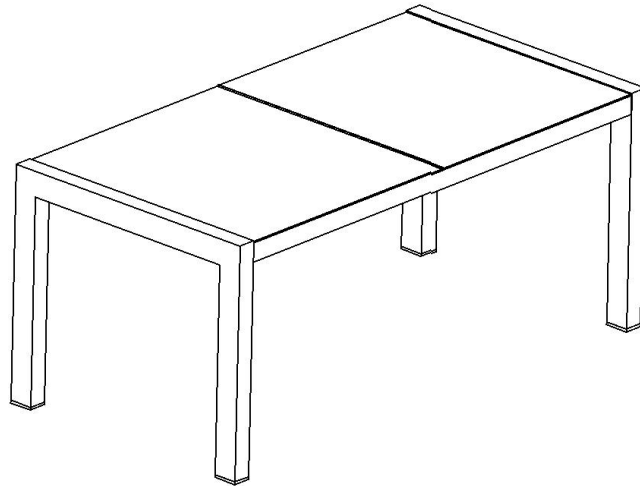
Adjust the levelers to the desired height to avoid wobbles.

Step7















Carefully place the Glass Table Tops (B) on the assembled Table Frame.
The Table and its Parts are Heavy. Two adults are required for lifting and moving them.

Step8



Your Table is ready for use.
This Table can only be used on a flat, level surface.

Care & Maintenance

-   ● Do not put hot items directly on furniture surface
-   ● Do not clean furniture with harsh cleansers or polish.
-   ● To obtain the longest lifespan of your outdoor products, minimizing exposure to direct sunlight is recommended.
-   ● Children should not climb or jump on the furniture.
-   ● Do not write on furniture without a padded barrier to protect the surface.
-   ● To obtain the longest lifespan of your outdoor products, avoid extended and lengthy exposure to rain, snow, and direct sunshine. Whenever possible cover the product and /or place under patio or awnings.

the product and for place under patio or awnings.



- Not for commercial use. For residential use only .



- Stains may be removed with mild soap solution and damp cloth.



- Keep away from sources of ignition.



-
- Dust and pick-up spills using a clean, non-colored, lint-free cloth.