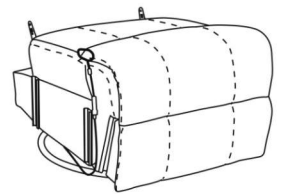
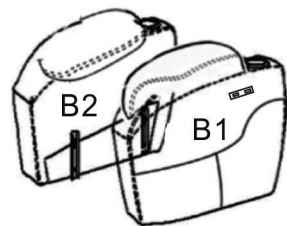
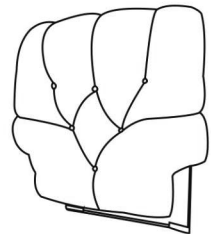
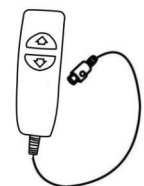

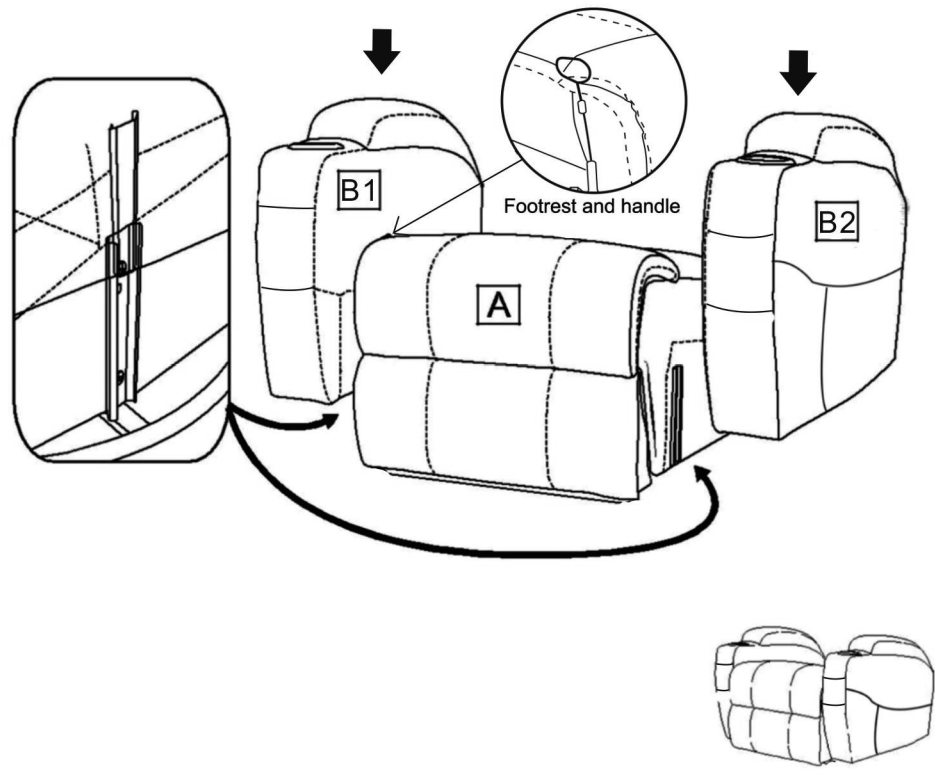


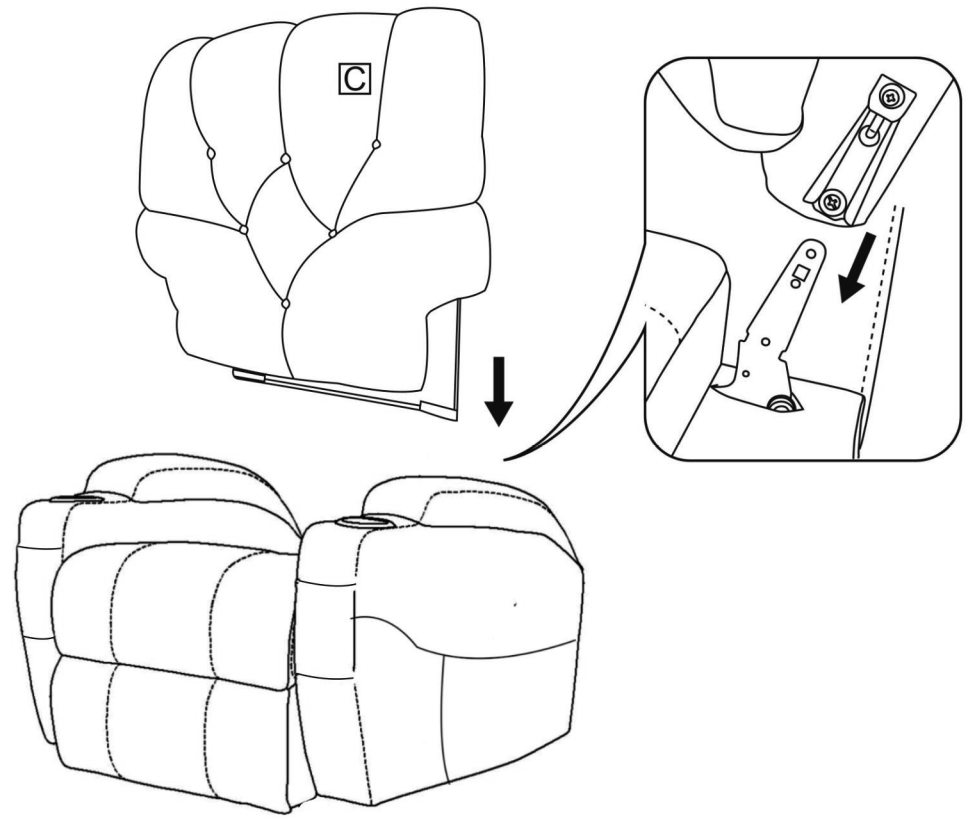
# Power Recliner Assembly Instruction

<b>A</b> 	<b>B</b> 	<b>C</b> 	<b>D</b> 	<b>E</b> 
Chair base	Armrest	Backrest	Lift control	Power source

## step 1



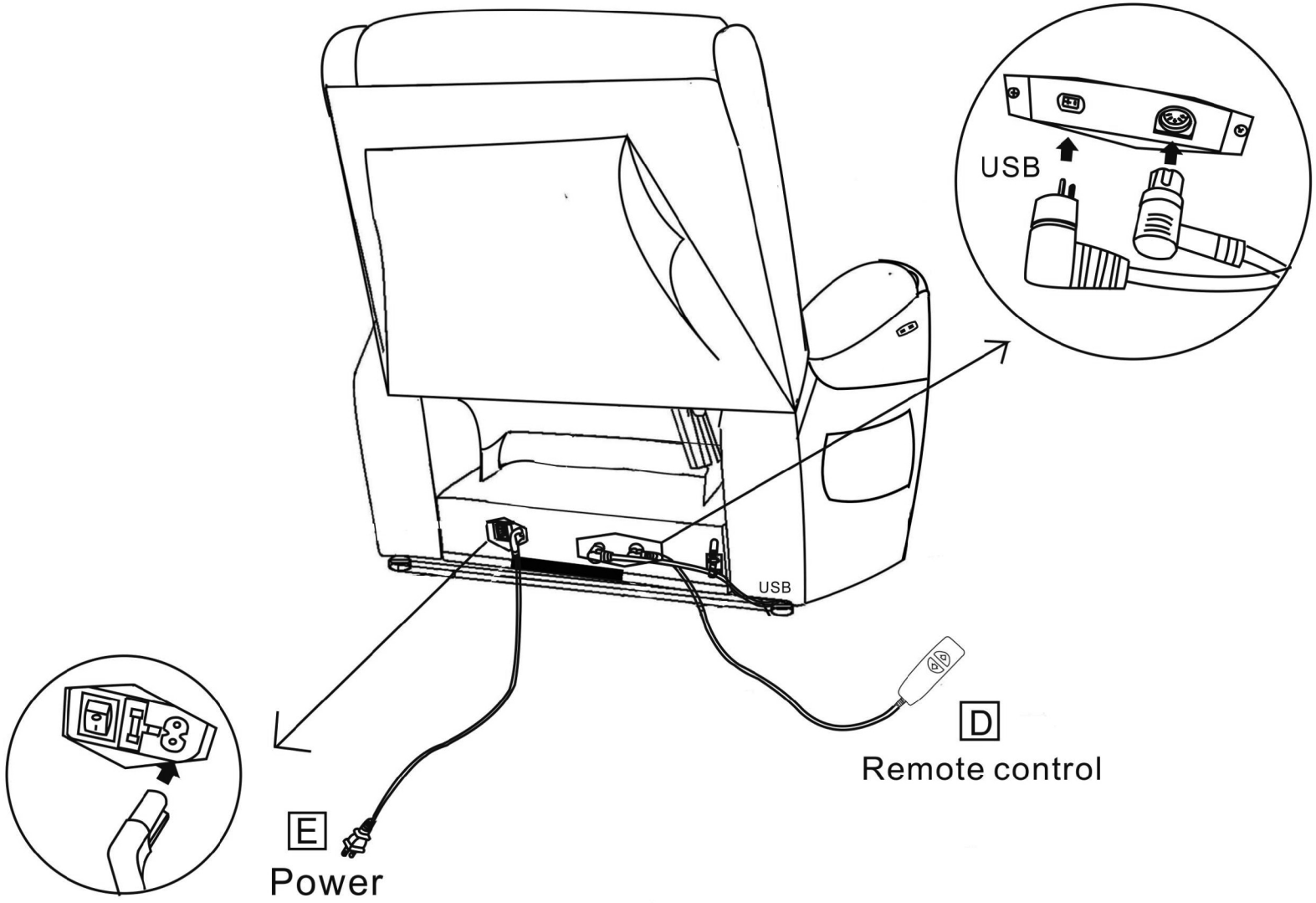
## step 2



# Power Recliner Assembly Instructions

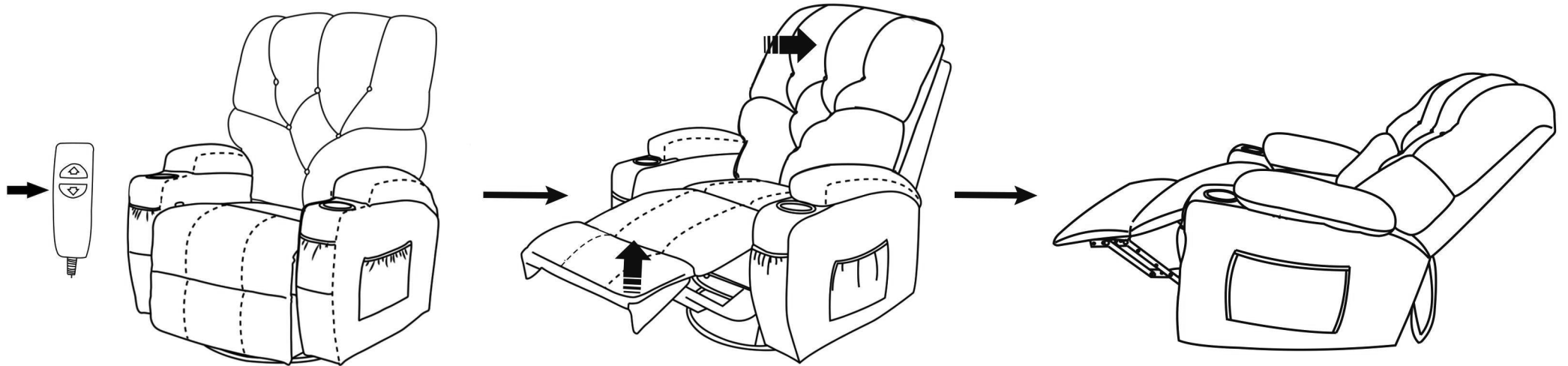
## STEP 3

The USB socket in the bottom of the sofa armrest.



# Power Recliner Assembly Instruction

## How to recline?

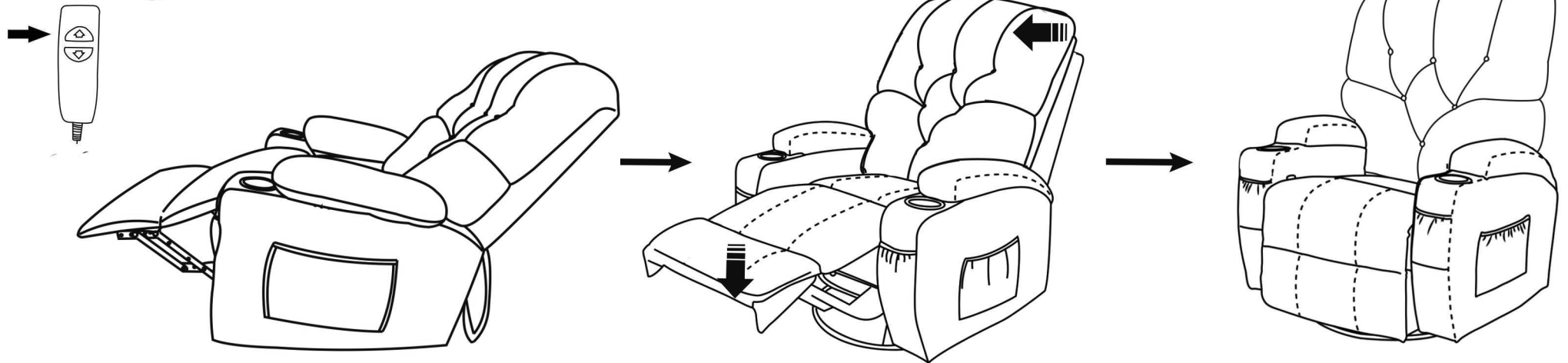


1. the handle up to release footrest

2. Sit deeper on the chair, put hands on armrests, lie down and use both head and back strength to recline

3. Have a relax on chair

## How to get footrest latch down?



1. Sit on the chair (not recline), backrest will be back.  
NOTE : footrest will not close in reclined position.

2. Press the bottom of footrest with some strength (with feet) , 3. The chair will be in seated position  
try some times to get footrest latch down.