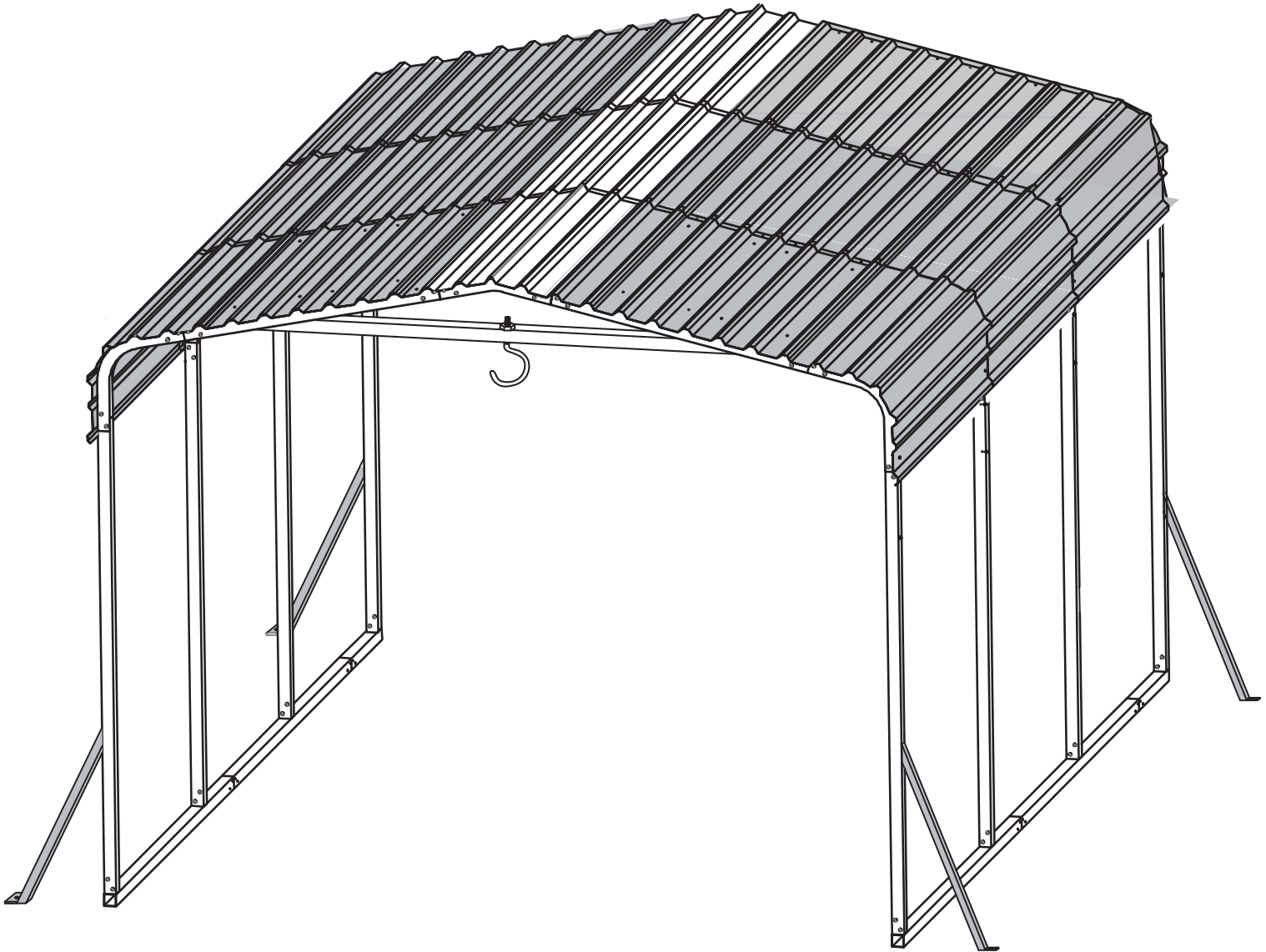


10X15 FT Carport

Instructions for Assembly



Minimum of 3 People is required for a safe assembly of the product

You will receive two separate boxes for this product to be fully assembled. Please make sure all boxes arrived in good condition before assembling. It happens sometimes when boxes arrive separately due to postponed carrier's shipping, and your patience is really appreciated! You can also reach out to us at any time at support@sylviera.com for any questions!

✉ support@sylviera.com

ASSEMBLY TIPS & TOOLS

Weather Awareness:

Choose a clear and calm day for your installation. Avoid building assembly on windy days, and be cautious if the ground is wet or muddy.

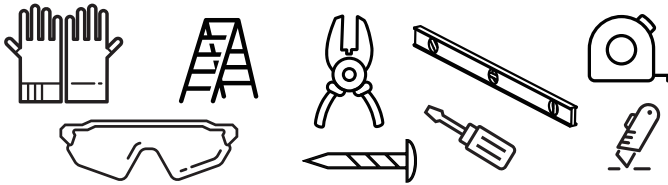
Team Effort Required:

Assembling your building is a three-person job at minimum. One can hold parts or panels in place, while the other secures them and manages the tools, ensuring a quicker and safer assembly process.

Gathering Your Tools and Supplies:

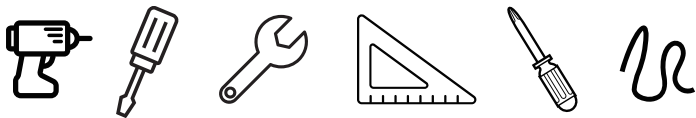
Prepare by listing the basic tools and materials necessary for assembly. Your choice of anchoring method and base type will determine the complete list of materials required.

WHAT YOU NEED



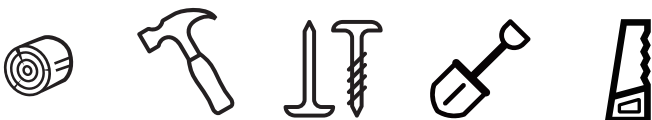
- Work Gloves
- Safety Glasses
- Step Ladder
- No. 2 Phillips Screwdriver (Magnetic Tip Preferred)
- Utility Knife or Scissors
- Pliers
- Carpenter's Level
- Tape Measure

RECOMMENDED TIME SAVERS



- Power Drill (Cordless, Variable Speed)
- Nut Driver or Wrench
- Square
- String (for squaring the frame)
- Awl (to align holes)

BASE PREPARATION TOOLS



- Lumber and/or Concrete
 - Hammer and Nails
 - Spade or Shovel
 - Hand Saw or Power Saw
-

Choosing and Preparing Your Site:

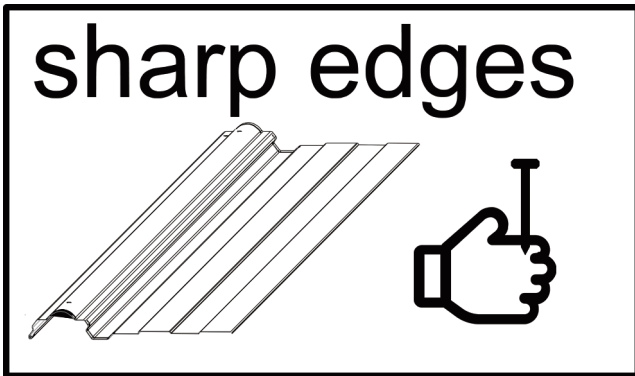
Select an ideal spot for your building before assembly begins. Opt for a level area with effective drainage.

Ensure ample space around the construction area for easy movement and assembly of parts. Check that there's sufficient clearance at the entrance for doors to open fully. Additionally, you'll need enough external space around the building for attaching panel screws from the outside.

Prior to starting the assembly of any parts, make sure your base is in place and the anchoring system is set up and ready for action.

SAFETY PRECAUTIONS...

Safety precautions MUST be followed at all times throughout the construction of your building!



When working with your building's parts, which may have sharp edges, always wear work gloves and eye protection, and put on long sleeves. This helps prevent cuts and injuries during assembly or maintenance.



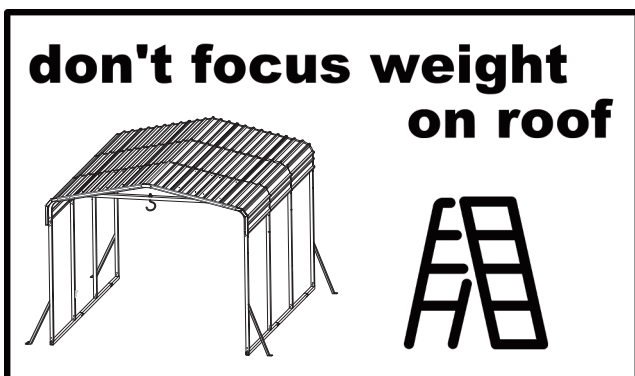
Exercise caution when using tools during assembly. It's particularly important to be well-versed in the use of any power tools involved in the process.



Ensure that children and pets are kept at a safe distance from the construction area until the building is fully assembled. This precaution minimizes distractions and reduces the risk of accidents.



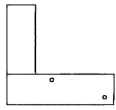

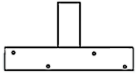

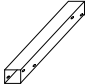
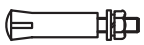
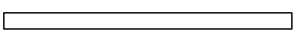
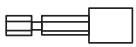


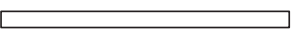

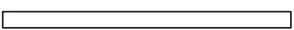



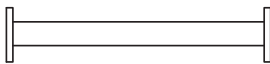


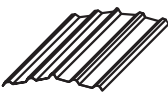


Wind Advisory:
Avoid assembling your building on a windy day. Large panels can act like sails in the wind, making them hard to control and posing safety risks during construction.



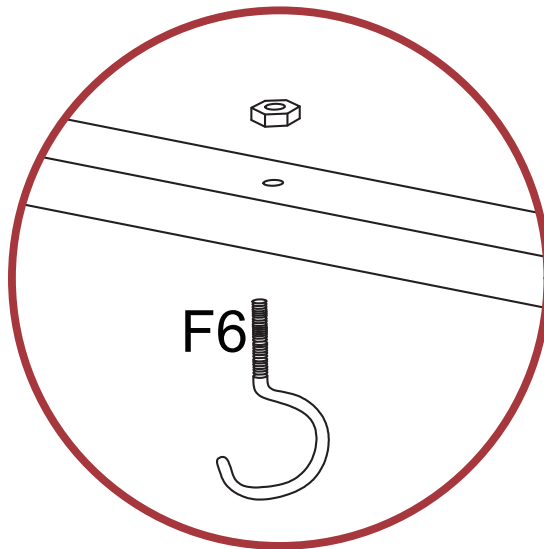
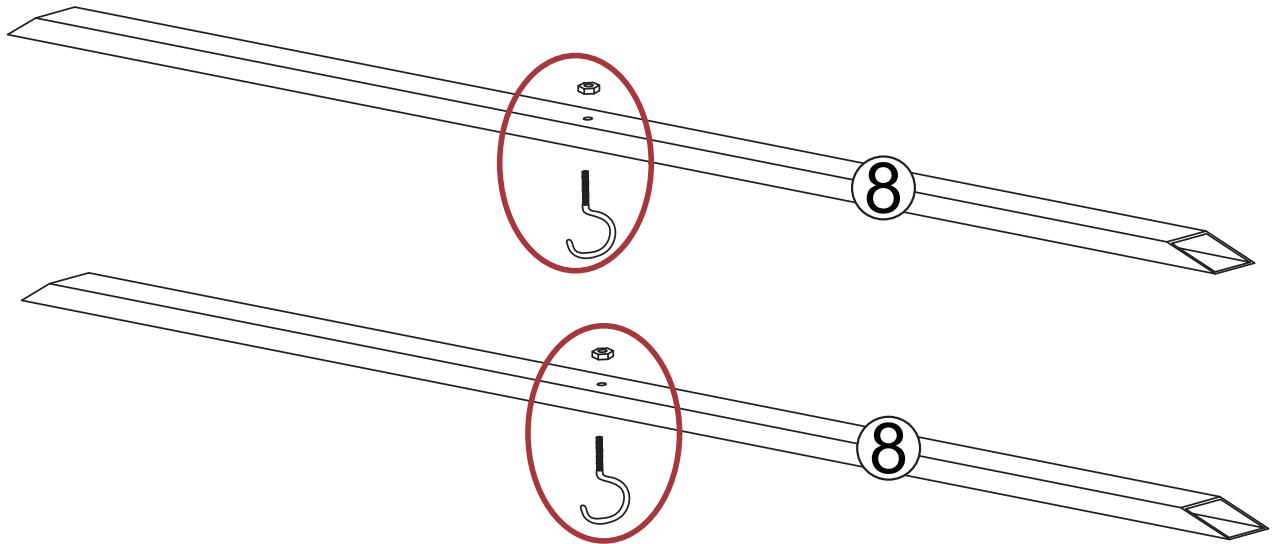
Roof Safety Warning:
Never put your full weight on the building's roof. Always ensure that a step ladder is fully extended and placed on level ground before climbing it.

Complete Check:
Before starting assembly, verify that you have all the parts and hardware listed. A partially assembled building can be vulnerable to damage, even from mild winds.

Hardware List

IMAGE	NO.	QTY	IMAGE	NO.	QTY
	1	X4		F5	X1
	2	X4		F6	X2
	3	X6		F8	X12
	4	X8		F9	X2
	5	X4		adhesive tape	X1
	6L	X4		F11	X4
	6R	X4			
	7L	X4			
	7R	X4			
	8	X4			
	9	X6			
	10	X4			
	11	X4			
	P5	X27			
	F3	X330			
	F4	X1			

Step 1

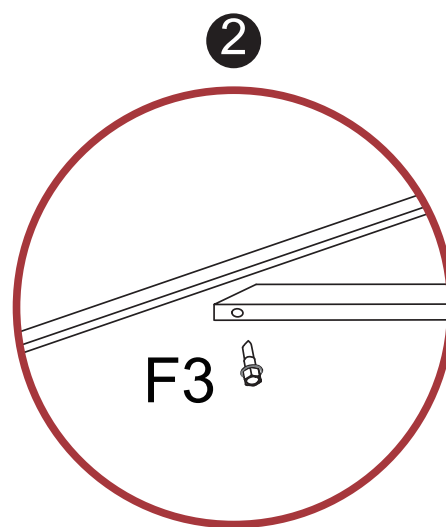
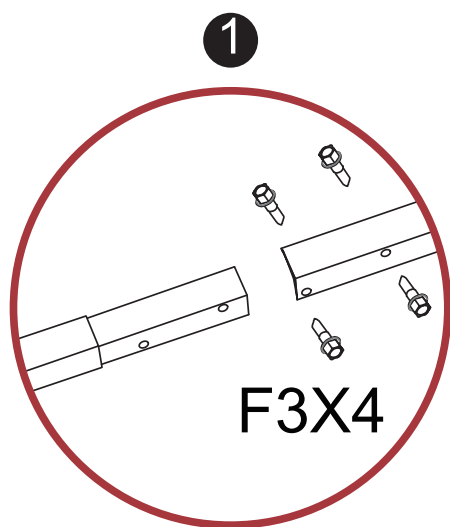
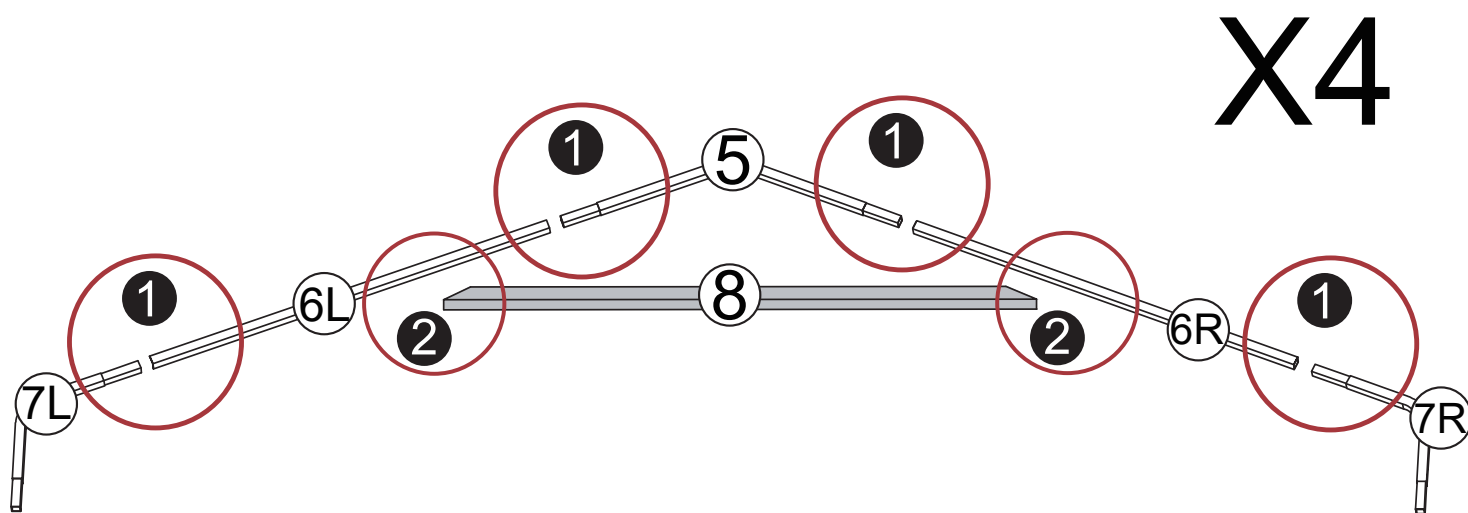



 Check the package contents before getting started !

Step 2

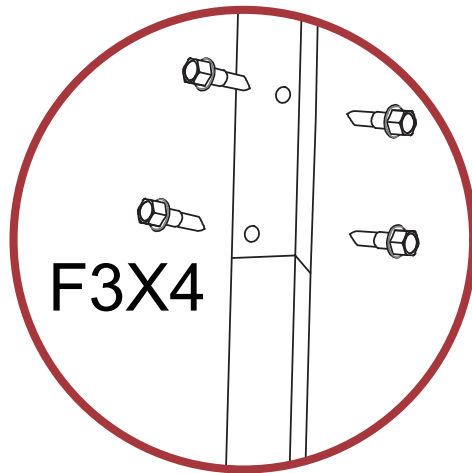
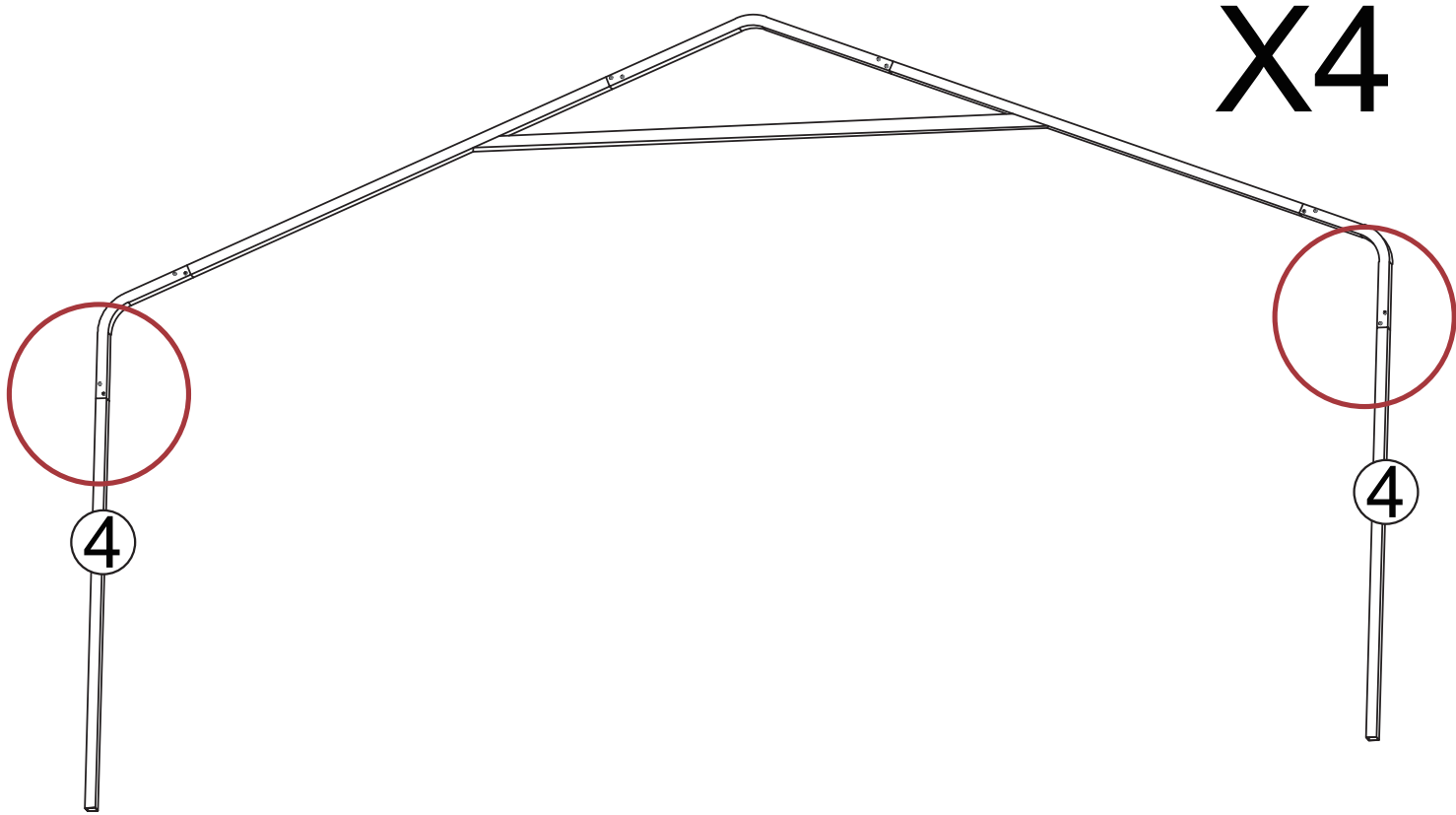
Note: There is a hole position on both 6L and 6R for connecting Part 8. Do not install the pipe in the reverse direction.


Note: There are two hole positions on the bottom of both 7L and 7R for connecting Part 9. Do not install them in the reverse direction.



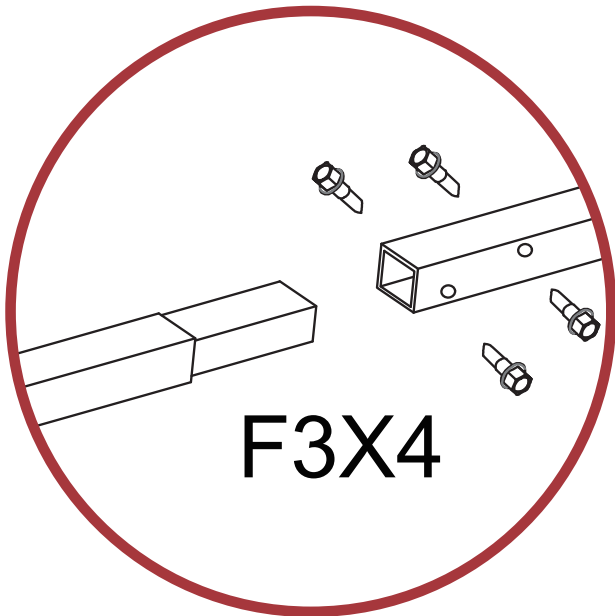
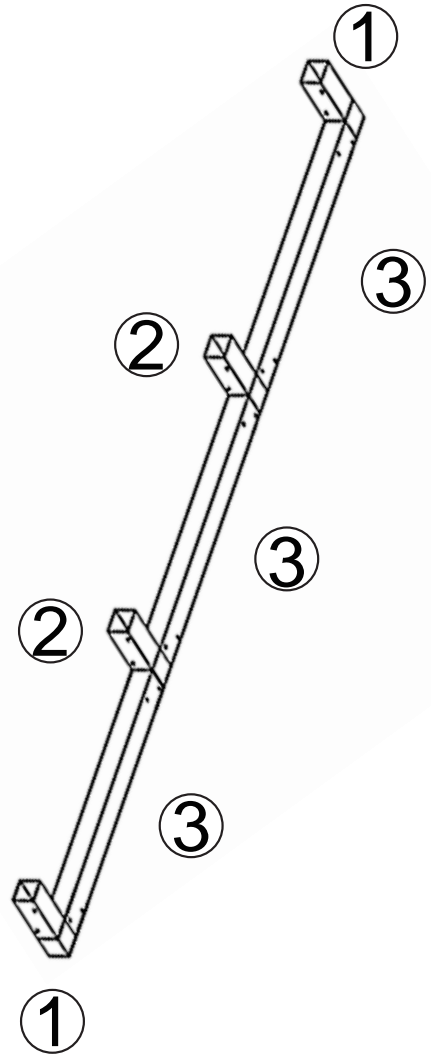
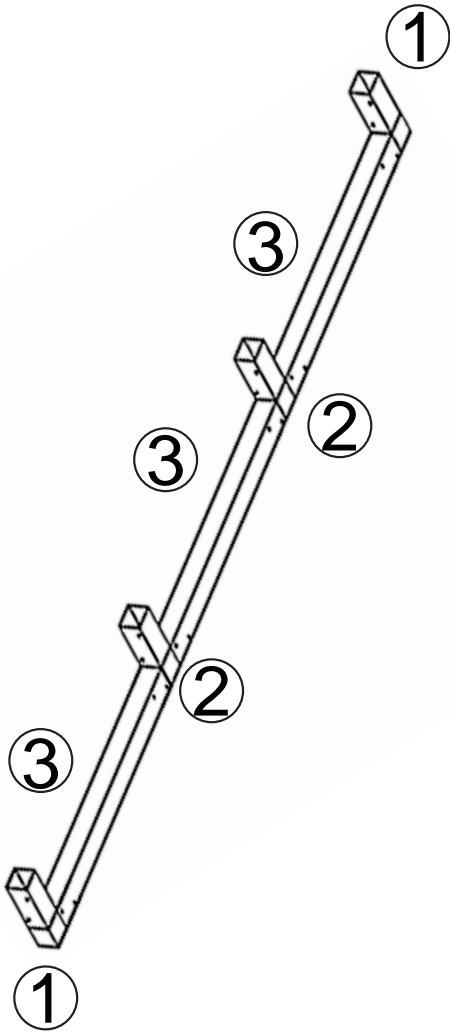
F3		X72
----	---	-----

Step 3




F3		X32
----	---	-----

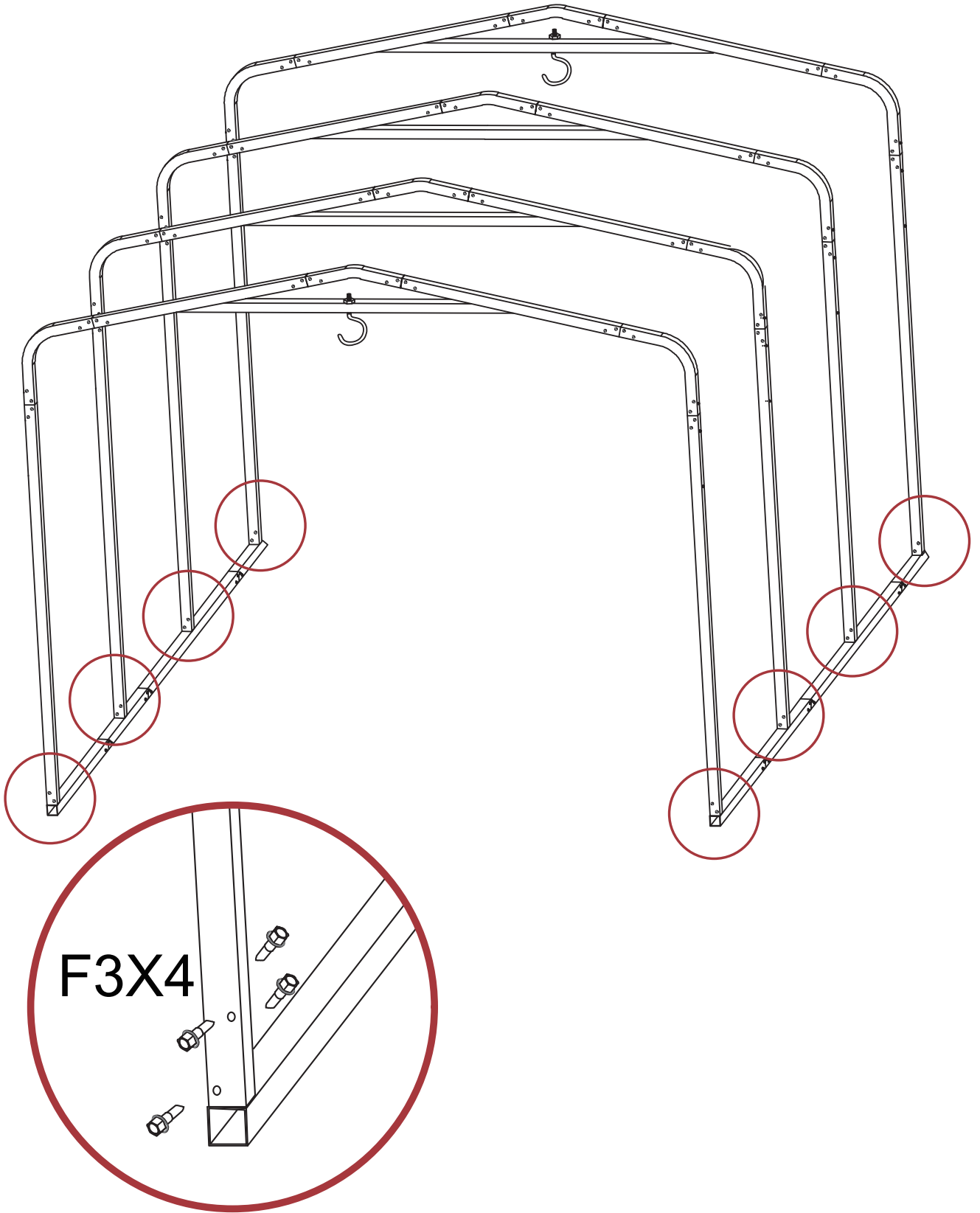
Step 4




F3X4

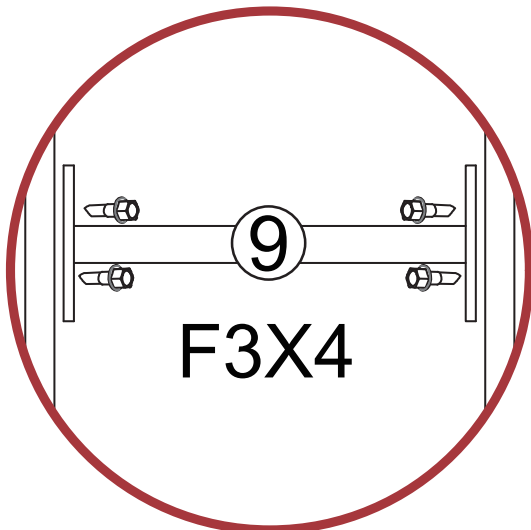
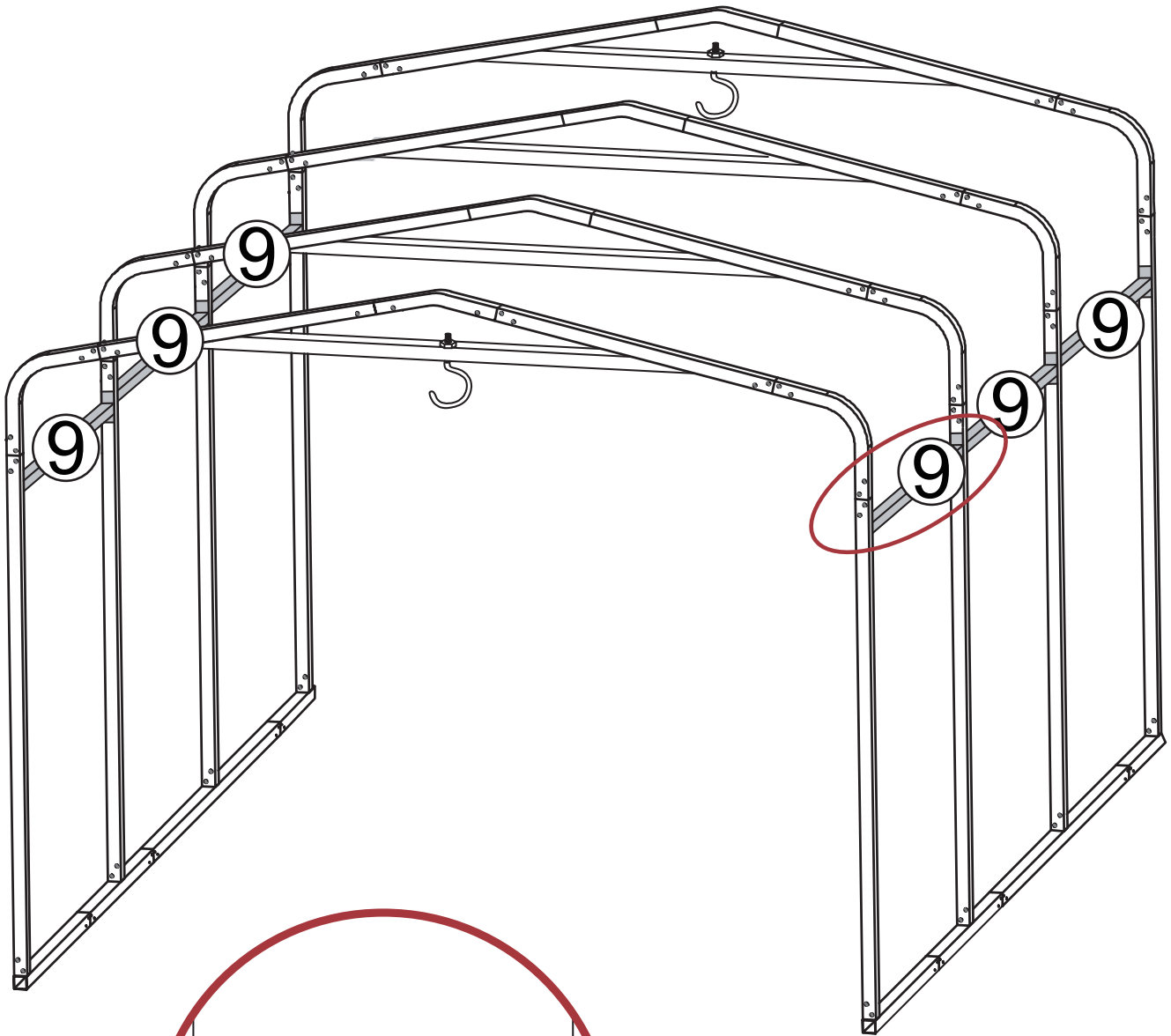
F3		X48
----	---	-----

Step 5




F3		X32
----	---	-----

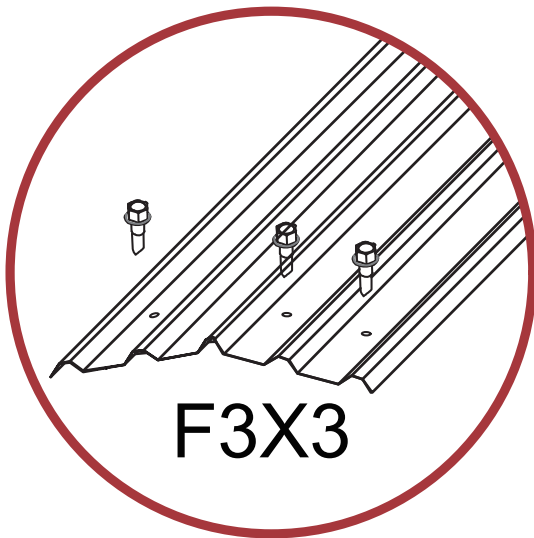
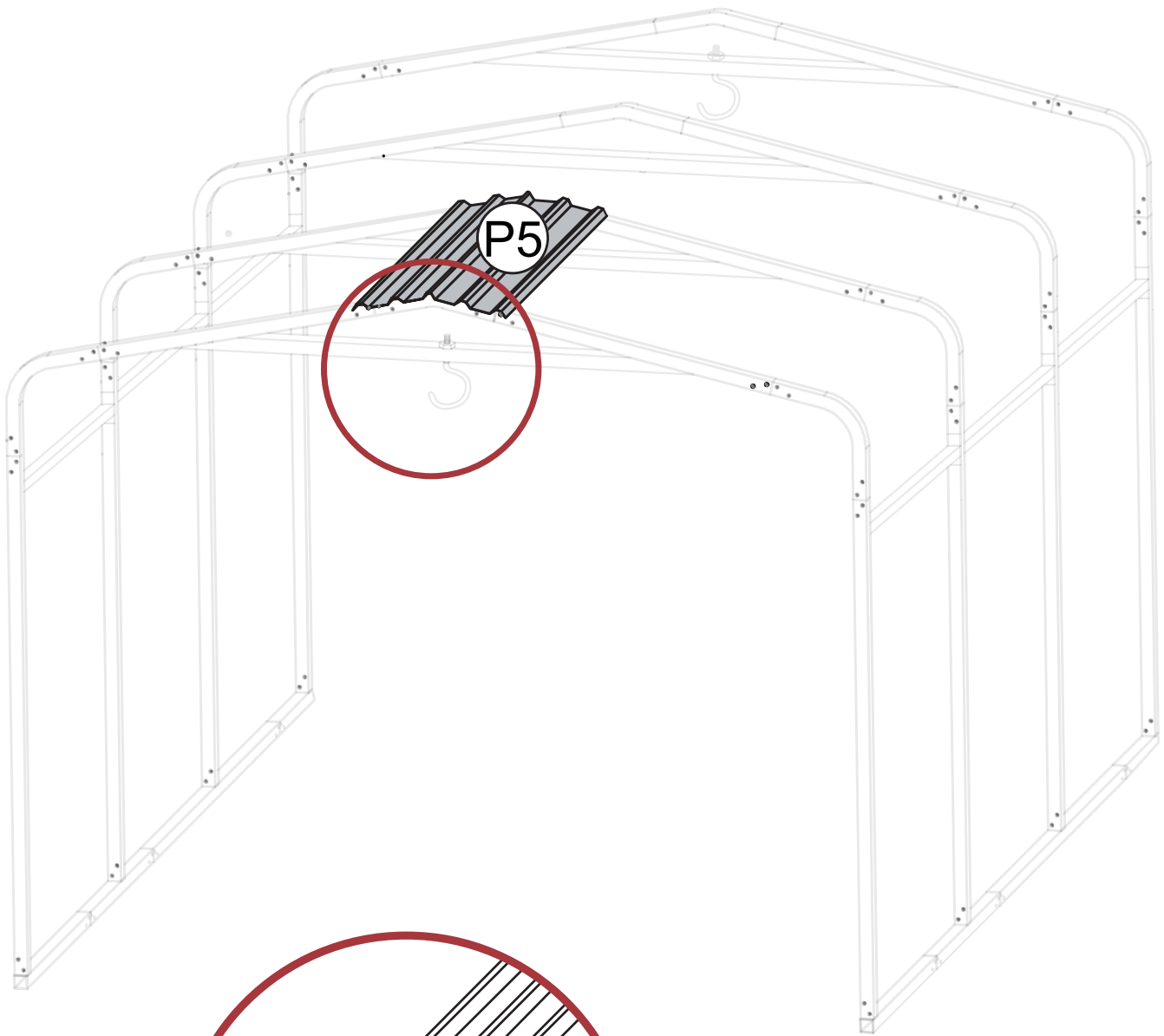
step 6




X6

F3		X24
----	---	-----

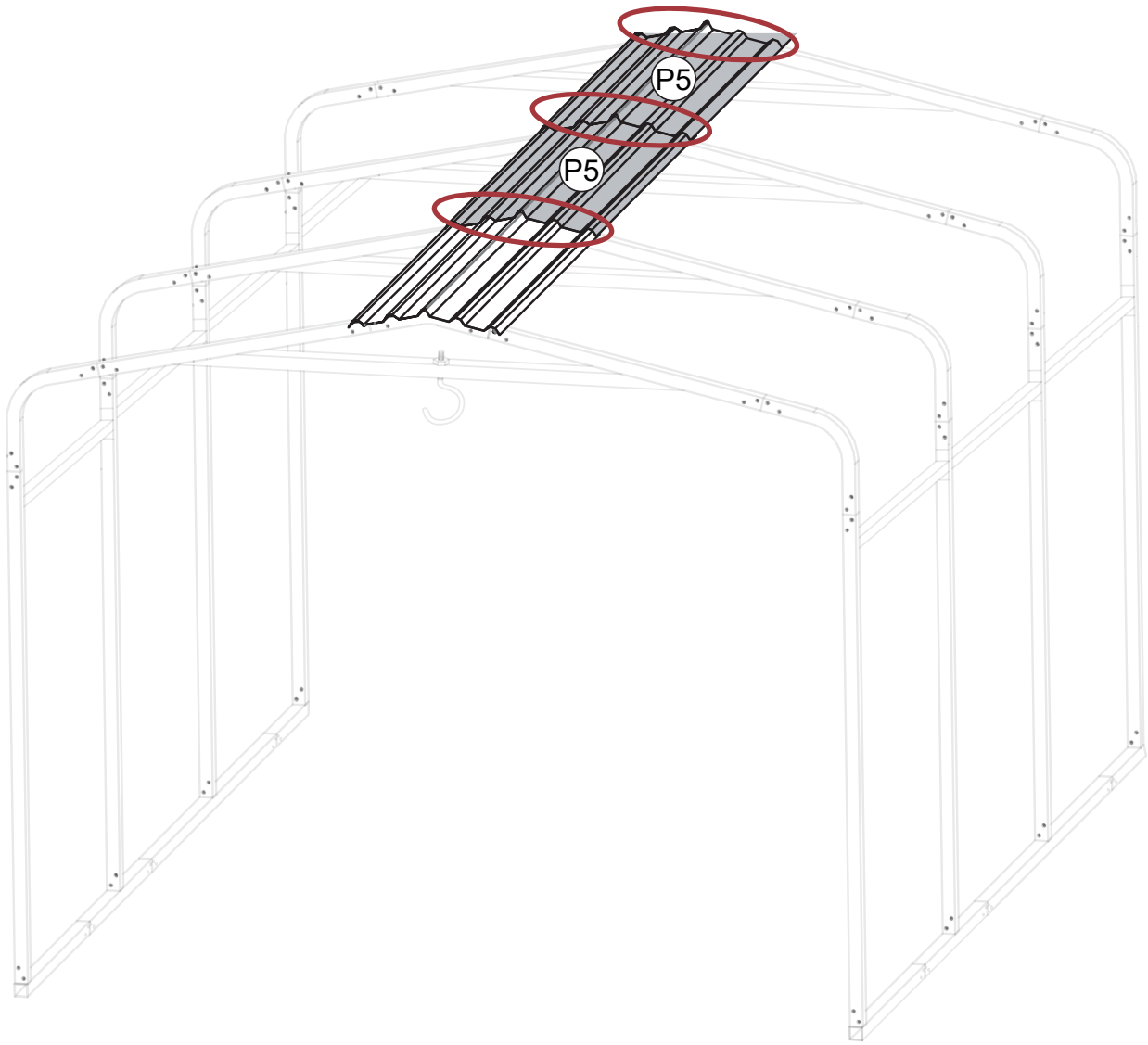
Step 7



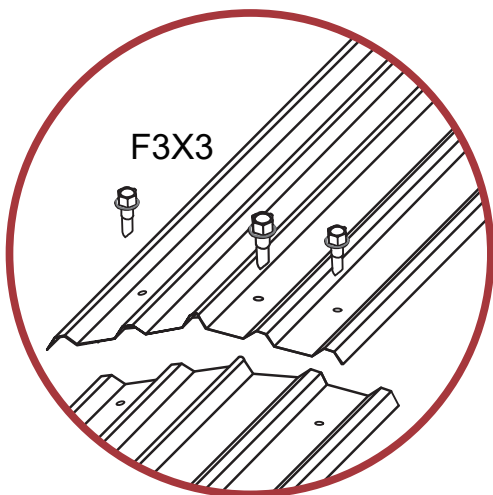
F3X3


F3		X3
----	---	----

Step 8



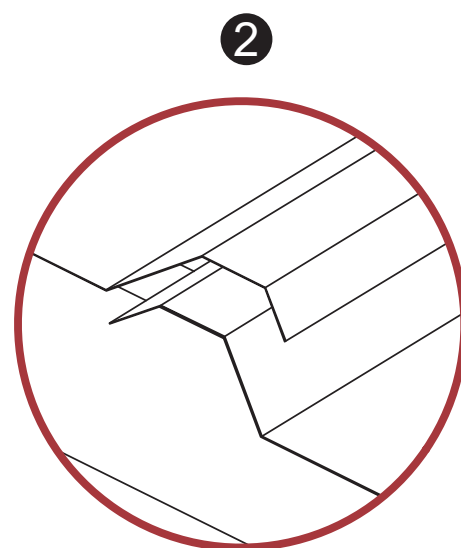
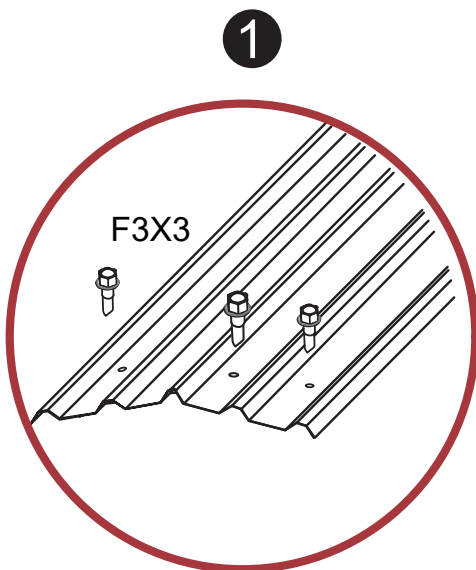
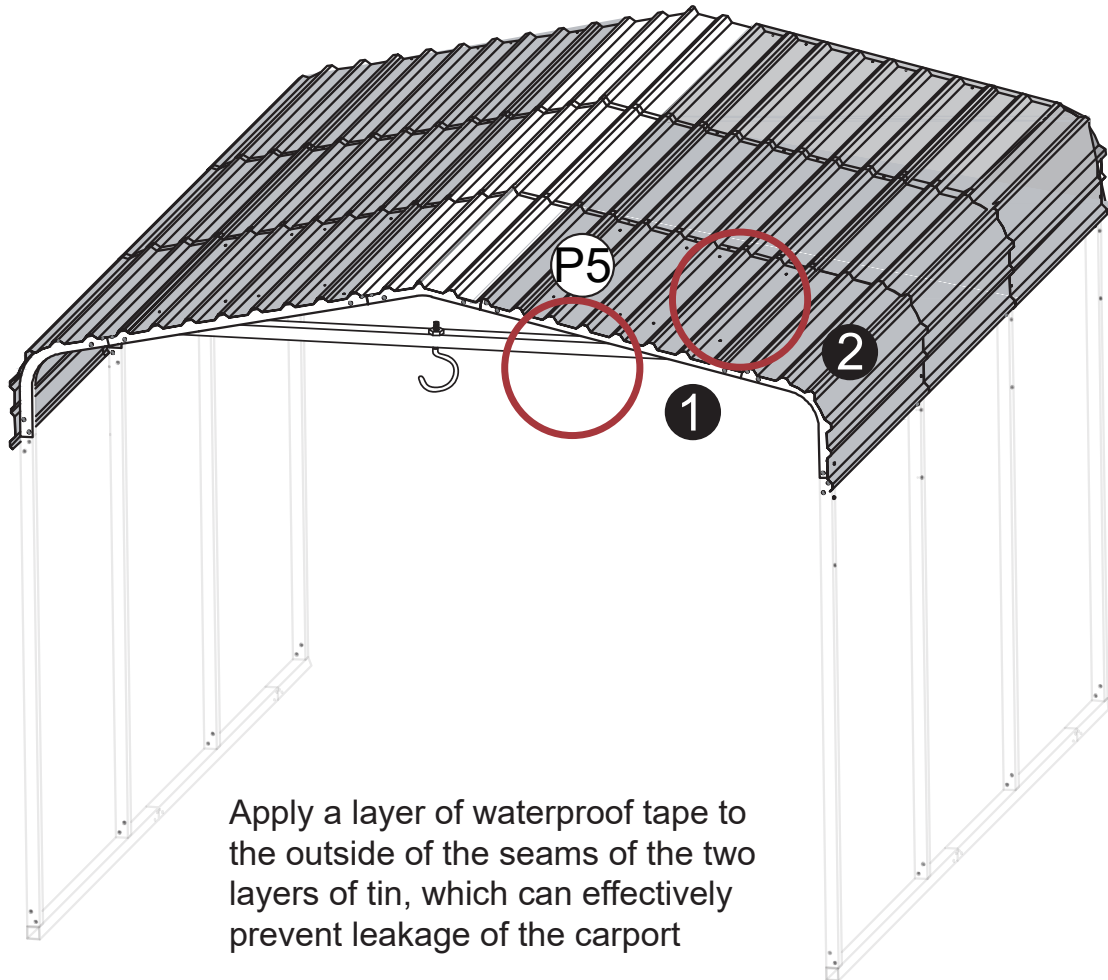
Apply a layer of waterproof tape to the outside of the seams of the two layers of tin, which can effectively prevent leakage of the carport




F3		X9
----	---	----

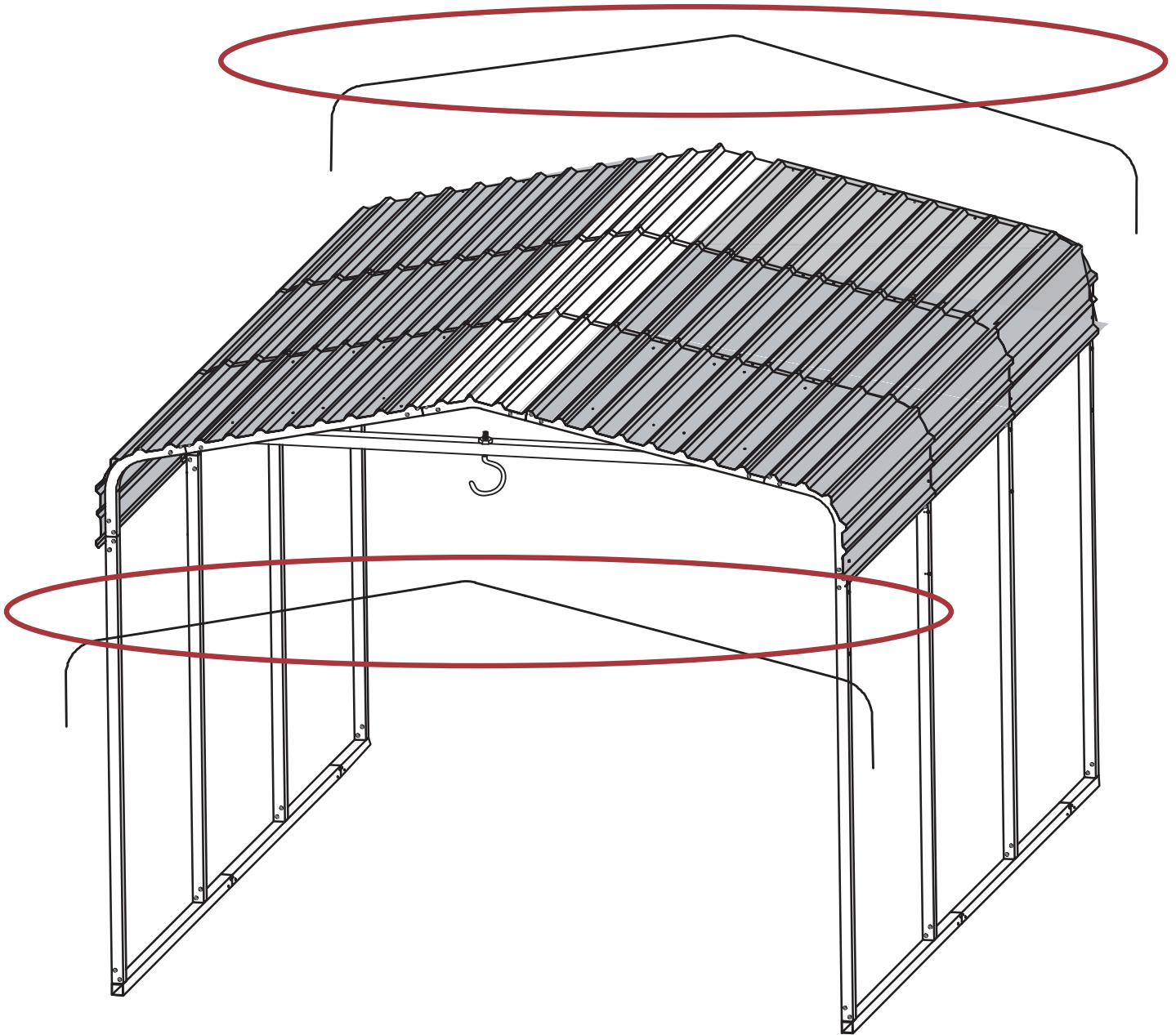
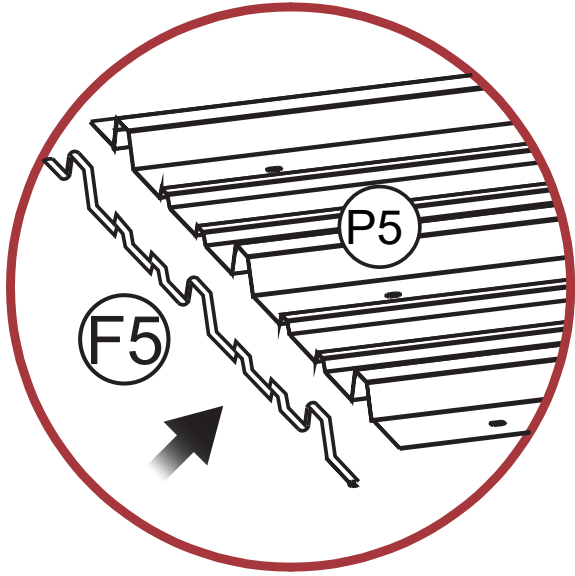
Step 9

Note: You need to drill holes on the frame when installing the P5. Make sure the edges of the boards are aligned to avoid skewing during the assembly process.

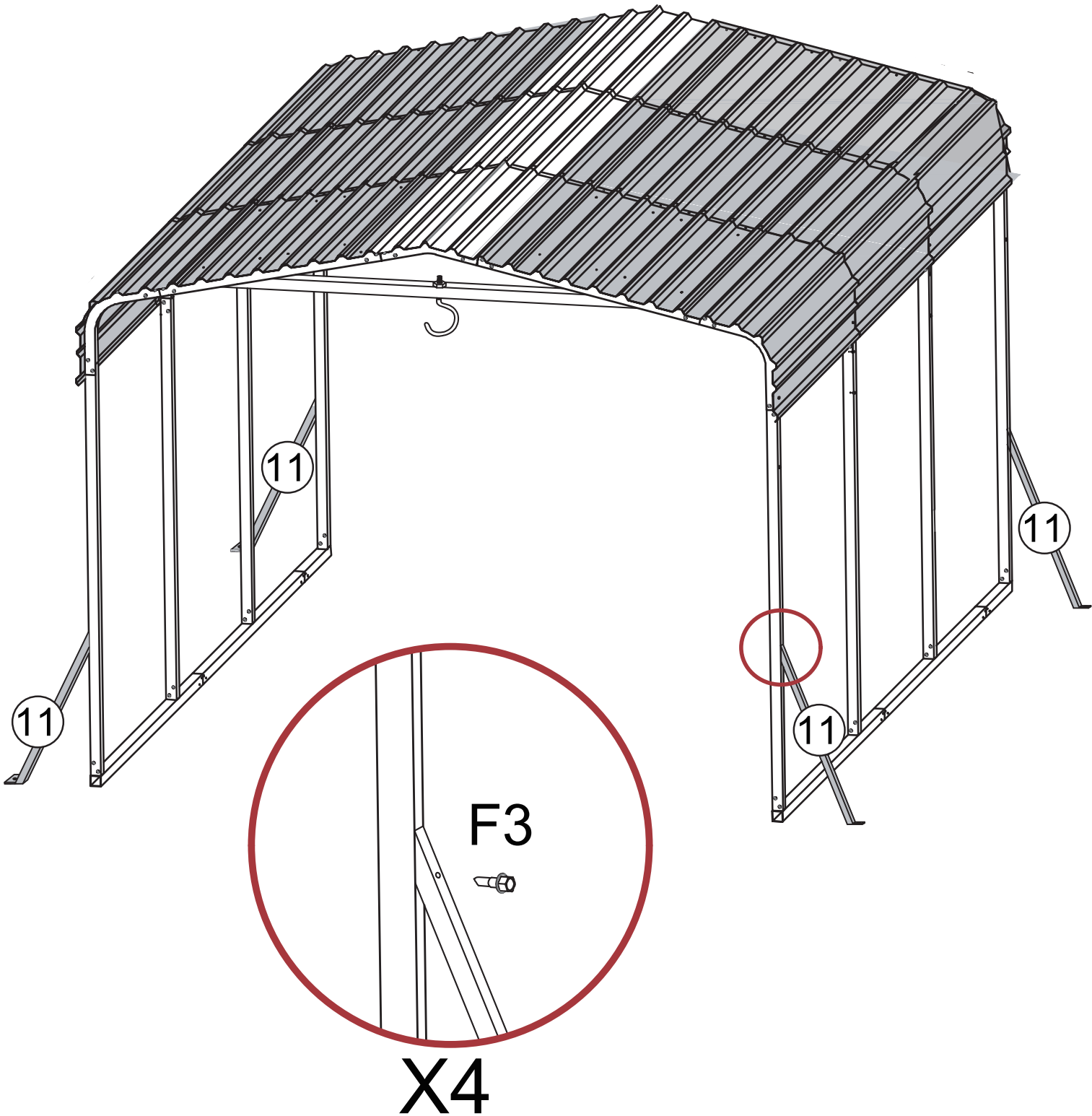



F3		X 96
----	---	------

Step 10



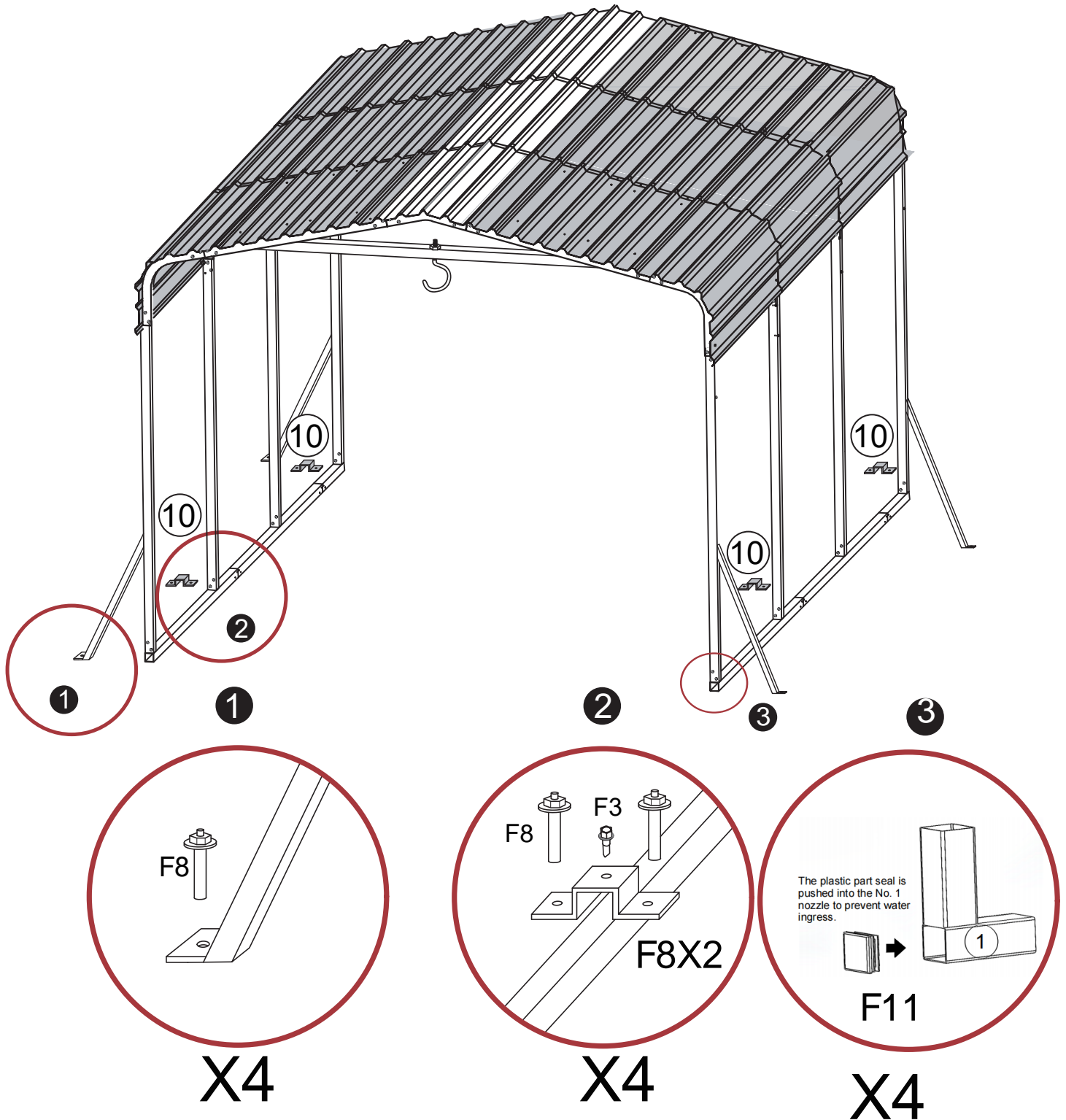
Step 11




F3		X4
----	---	----

Step 12

Note: Before installing the F8, make sure the overall product size is consistent. If not, adjust it to prevent the product from shaking.



F3		X4
----	---	----