





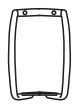





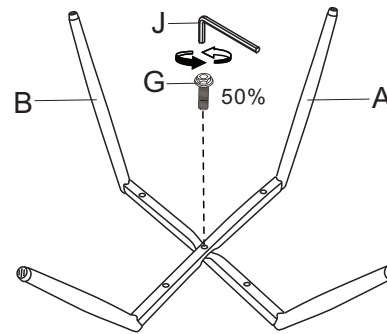
Please check that all fittings are available and in good condition before assembly.
 If you have any questions, please contact us , we will solve your problem in the first time.

PARTS LIST

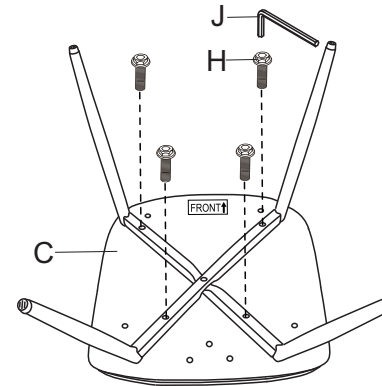
Ax1 	Gx1  M6x30mm
Bx1 	Hx4  M6x45mm
Cx1 	Ix2  M6x18mm
Dx1 	Jx1 
Ex1 	
Fx3  M6x22mm	

ASSEMBLE INSTRUCTION

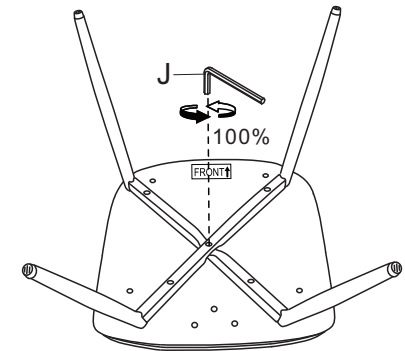
①



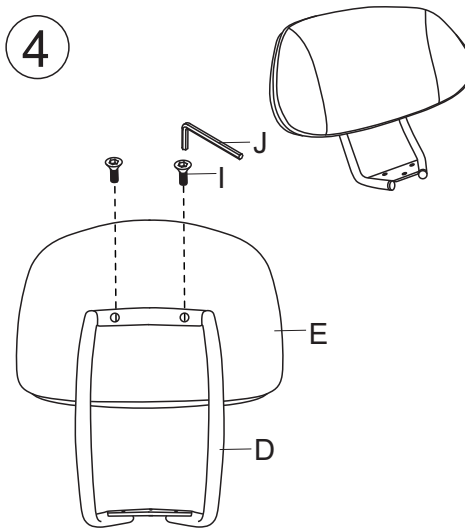
②



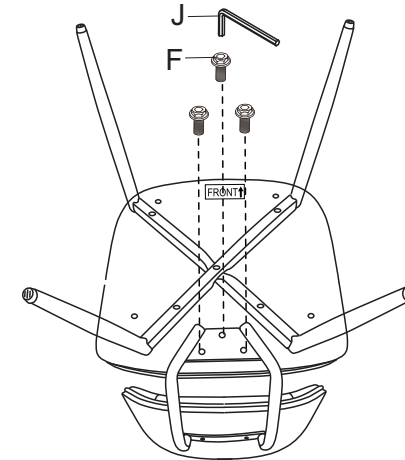
③



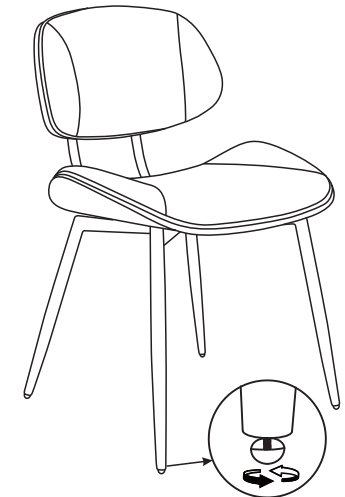
④



⑤



⑥



Adjust foot nails to make chair stable.