

TOPZERO®

VENICE TZ L360.55

Seamless Edge Stainless Steel Sink

GENERAL

Fine quality sink bowls formed of 18 gauge BA 304 18/10 nickel bearing stainless steel.

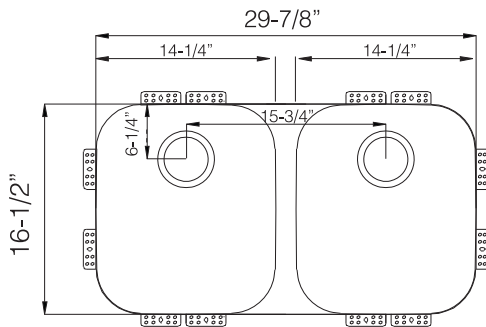
DESIGN FEATURES

Bowl Depth : 9"
Finish : Soft Satin Finish
Underside : Aluminum Coated Premium
Sound Absorbing Pads
Drain Opening : 3-1/2"

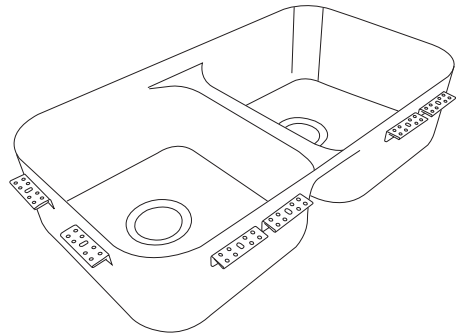
OPTIONAL ACCESSORIES

Stainless Steel Bottom Grid GR 360
Stainless Steel Grid RB 345
Wood Cutting Board CB 60
Stainless Steel Drying Rack DR 455

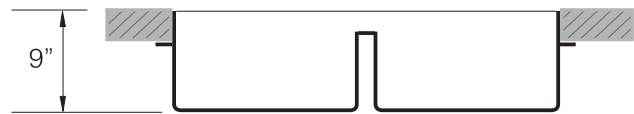
SINK DIMENSIONS (INCHES)



SPECIFICATIONS

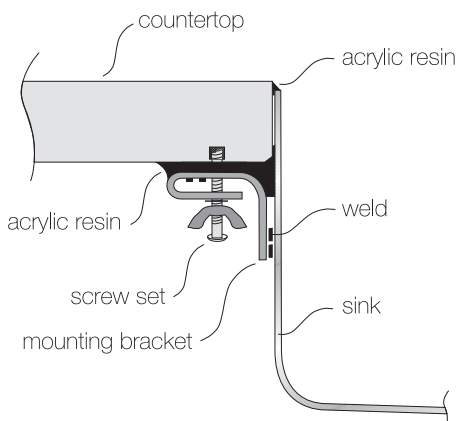


"U.S. and Foreign Patents Pending"



Recommended Cabinet Size 36"

INSTALLATION PROFILE *



Watch the TopZero Sink
Installation video on [YouTube](#)

follow / like us @

