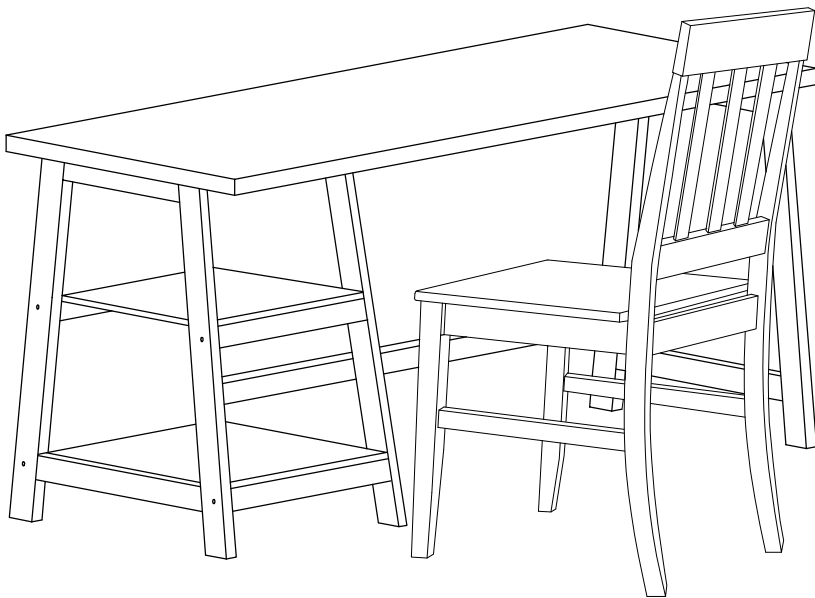


ASSEMBLY INSTRUCTIONS



TOOLS REQUIRED



Allen Wrench

(Included)



Phillips
Screwdriver

(Not Included)



**2 - People
Recommended**

ASSEMBLY RATING



EASY —————> DIFFICULT

The Assembly Rating is a 5-point system showing the level of effort needed to assemble a specific product.

Thank you for your purchase!

We hope you enjoy this new addition to your home for many years to come.

Our commitment to providing quality products does not simply end when you purchase our product. We fully stand behind our products from start to finish. Our customer service department is available and can help with assembly questions as well as, if necessary, replacing damaged or missing parts. To help expedite our service, please have these assembly instructions readily available, along with your order receipt.



CHECK BEFORE STARTING

Are you missing anything?

Double-check all parts, hardware and accessories listed on Page 6 are accounted for.

Check out our Quick Tips!

We recommend reviewing the pre-assembly handouts. Even experts need a refresher now and then!

Should we send any replacements?

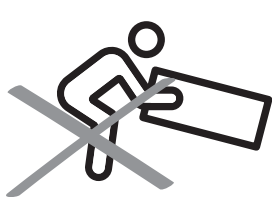
Are there any irregularities or flaws in the parts? We can send replacements!

Prep Time!

Please review the assembly instructions and all diagrams prior to assembling. Arrange parts as recommended on Page 7 and group identical hardware together to make assembling easier.

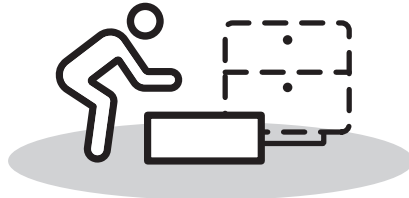
PRE ASSEMBLY INTRODUCTION

We understand building ready-to-assemble furniture can be a challenging experience for some. To help avoid confusion, we have provided some helpful tips that may speed up the process.



Teamwork

ALWAYS have at least two people to help with transporting and assembling the product to avoid potential injury and/or damage.



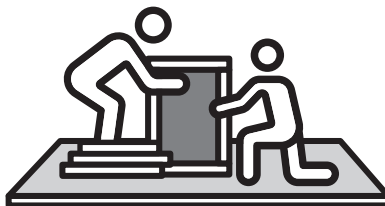
Suitable Location

Assembling near the area of the intended location is highly recommended.



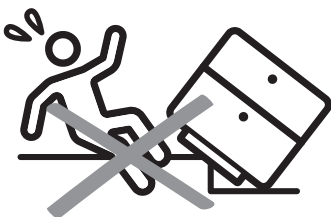
Sufficient Space

Make sure you have enough space to move around during the assembly.



Avoid Scratches

Use cardboard, blankets or a carpeted area while assembling furniture to prevent scratches.



Flat Surface

Make sure the furniture rests on a flat and level surface with each leg evenly touching the floor.

ASSEMBLY AND CARE ADVICE



FAILURE TO FOLLOW THE GUIDELINES BELOW MAY RESULT IN INJURY AND/OR PROPERTY DAMAGE.



Position each part correctly and insert screws or bolts into their respective holes.



Use the appropriate hand tools or power tools for assembly. Select steps, such as tightening screws and/or bolts, may require hand tools to avoid causing damage during assembly.



Turn clockwise to tighten and only tighten when step is completed or when instructed to do so.



Save the instructions and store any supplied tools for later maintenance.



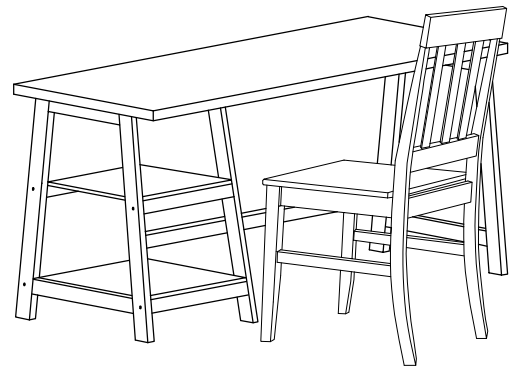
After two weeks, check and tighten any loose hardware and repeat again every six months thereafter.

IT IS THE USER'S RESPONSIBILITY TO MAINTAIN THE FURNITURE. THE HARDWARE MAY LOOSEN OVER TIME AND MAY CAUSE THE FURNITURE TO BE WOBBLY AND UNABLE TO SUPPORT ITS INTENDED WEIGHT CAPACITY. THIS MAY LEAD TO COLLAPSE AND MAY CAUSE SERIOUS INJURY.

WRITING DESK WITH CHAIR



• Please keep instructions for future reference.
• Check the quantity and irregularity of parts and hardware before you start.



PARTS - TABLE

#1 1pc

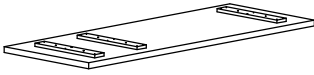


Table Top

#2 1pc



Table Leg - Left (CL)

#3 1pc



Table Leg - Center (C)

#4 1pc

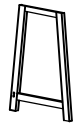


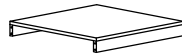
Table Leg - Right (CR)

#5 1pc



Cross Bar

#6 1pc



Shelf Panel - Small

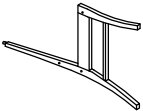
#7 1pc



Shelf Panel - Big

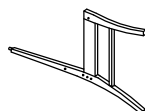
PARTS - CHAIR

#8 1pc



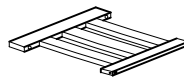
Chair Leg Frame
- Left

#9 1pc



Chair Leg Frame
- Right

#10 1pc



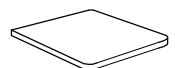
Back Rest

#11 2pcs



Seat Rail

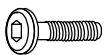
#12 1pc



Wooden Seat

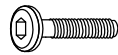
HARDWARE - TABLE

#A 10pcs



JCBC Bolt
M6 x 40mm

#B 6pcs



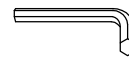
JCBC Bolt
M6 x 50mm

#C 10pcs



Wood Dowel
M8 x 30mm

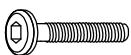
#D 1pc



M4 Allen Wrench

HARDWARE - CHAIR

#E 6pcs



JCBC Bolt
M6 x 60mm

#F 6pcs



Barrel Nut

#G 8pcs



Wood Dowel
M8 x 30mm

#H 4pcs



CB Screw
M4 x 32mm

#I 1pc



M4 Allen Wrench

ASSEMBLY INSTRUCTIONS

1

Part #2 x 1pc

Part #3 x 1pc

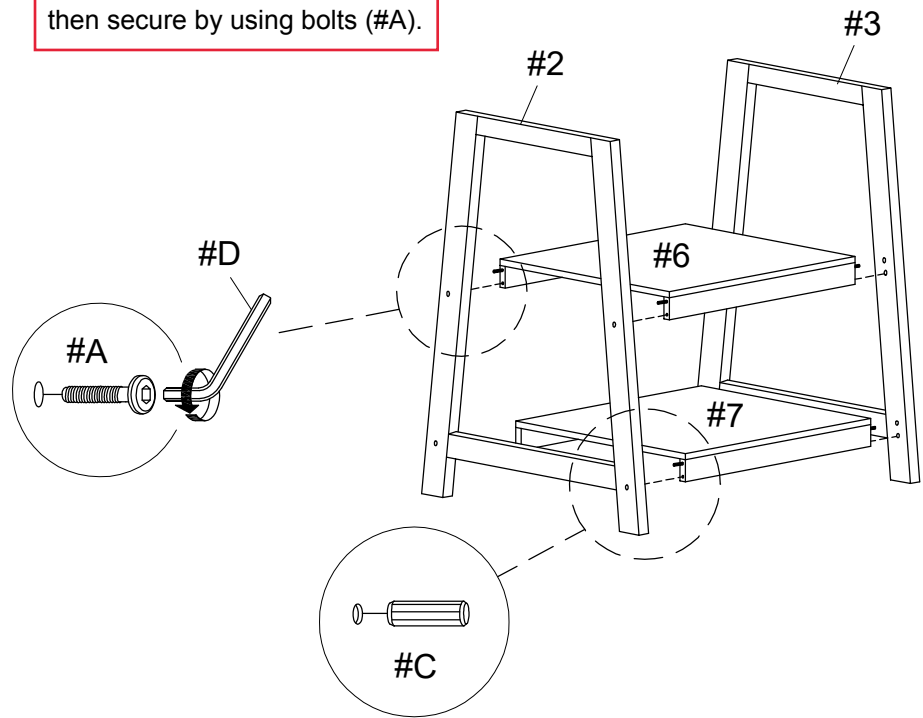
Part #6 x 1pc

Part #7 x 1pc

Hardware #A x 8pcs

Hardware #C x 8pcs

Insert dowels (#C) to the shelf panels (#6,7). Align table legs (#2,3) to the shelf panels (#6,7), then secure by using bolts (#A).

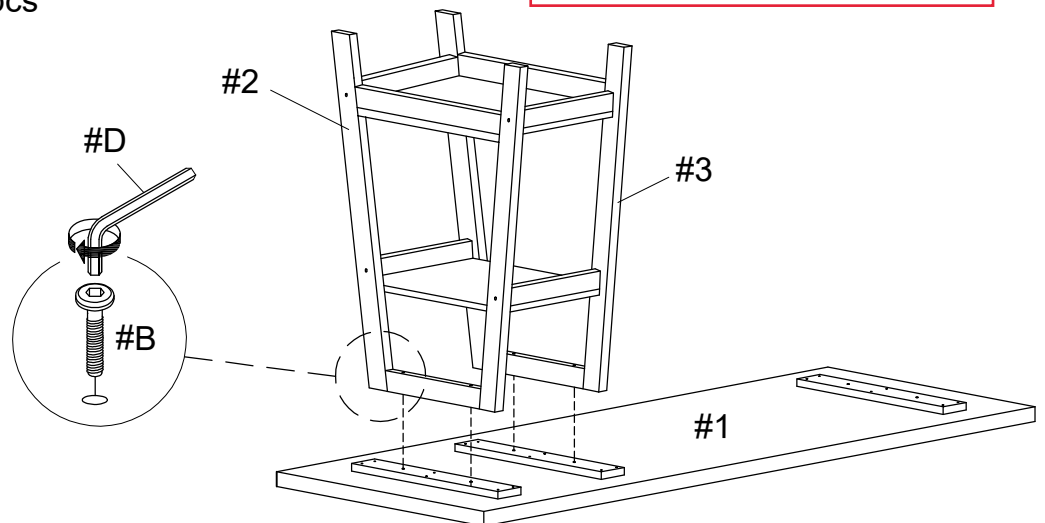


2

Part #1 x 1pc

Hardware #B x 4pcs

Align legs (#2,3) to the top (#1), then secure by using bolts (#B).



ASSEMBLY INSTRUCTIONS

3

Part #4 x 1pc

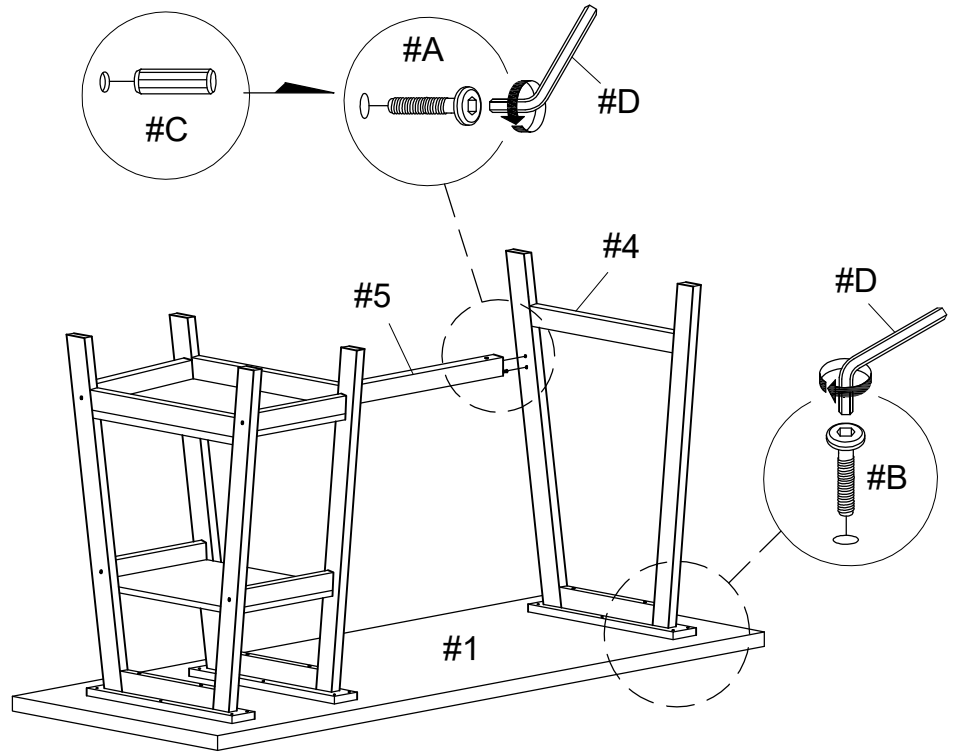
Part #5 x 1pc

Hardware #A x 2pcs

Hardware #B x 2pcs

Hardware #C x 2pcs

Insert dowels (#C) to crossbar (#5), then align crossbar (#5) to the legs (#3,4). Secure crossbar (#5) to leg (#4) by using bolts (#A). Secure table leg (#4) to top (#1) by using bolts (#B).



4

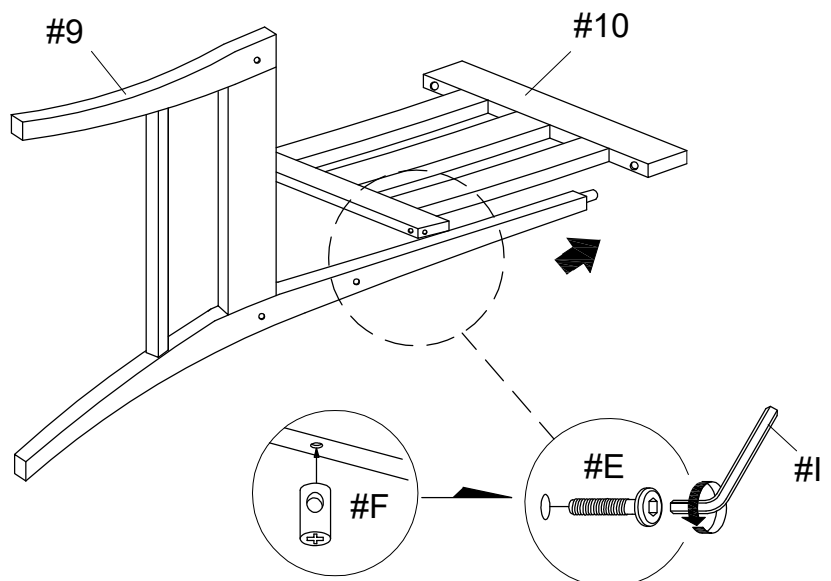
Part #9 x 1pc

Part #10 x 1pc

Hardware #E x 1pc

Hardware #F x 1pc

Align chair leg (#9) to the back rest (#10), then secure by using bolts (#E) onto barrel nuts (#F).



ASSEMBLY INSTRUCTIONS

Insert dowels (#G) to seat rails (#11), then align seat rails (#11) to the leg frame (#9). Secure by using bolts (#E) onto barrel nuts (#F).

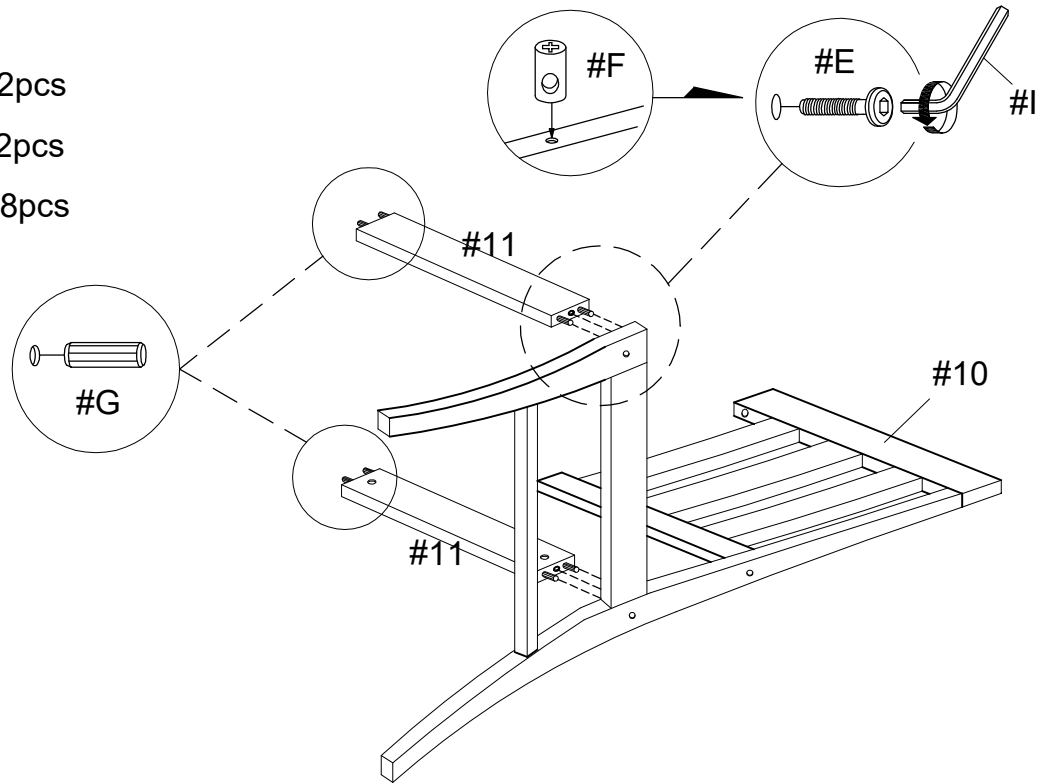
5

Part (#11) x 2pcs

Hardware (#E) x 2pcs

Hardware (#F) x 2pcs

Hardware (#G) x 8pcs



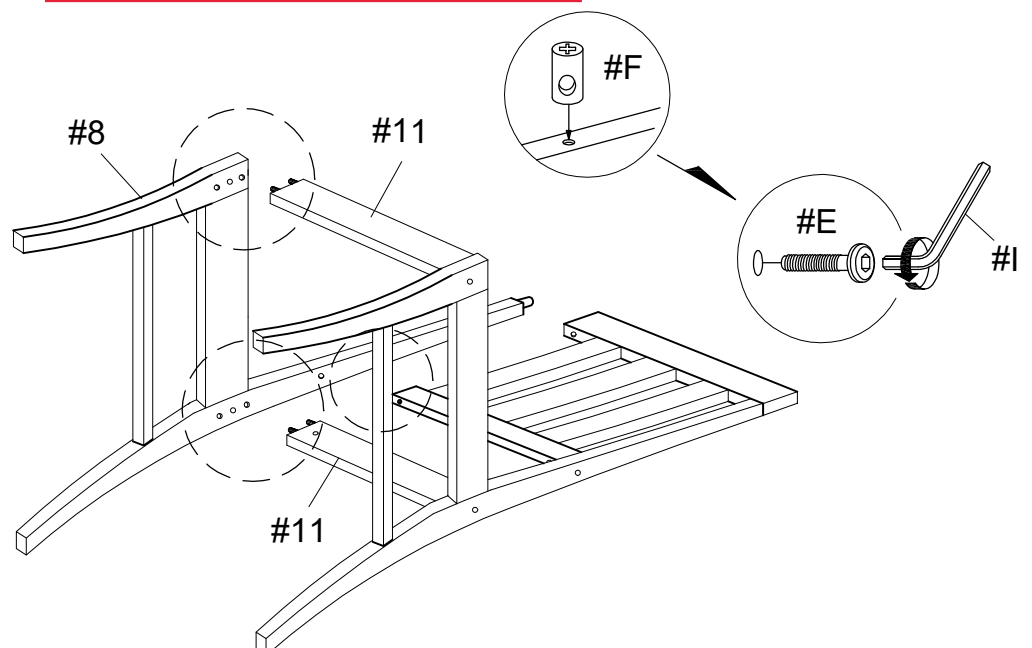
6

Part (#8) x 1pc

Hardware (#E) x 3pcs

Hardware (#F) x 3pcs

Align leg frame (#8) to the rest of the chair, then secure by using bolts (#E) onto barrel nuts (#F).



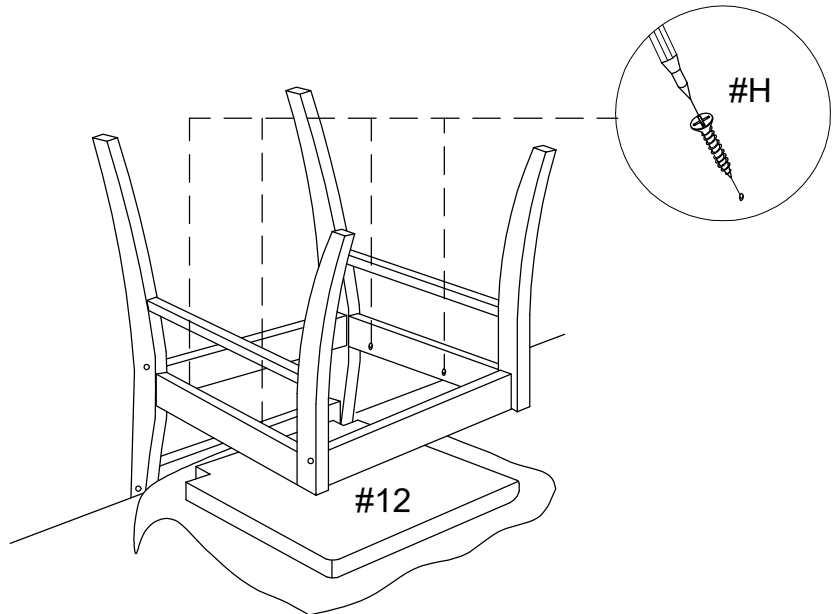
ASSEMBLY INSTRUCTIONS

7

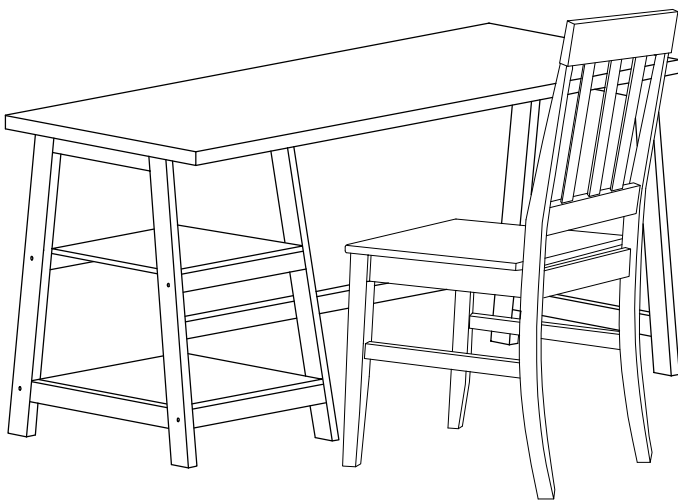
Part #12 x 1pc

Hardware #H x 4pcs

Align seat (#12) onto chair frame, then secure by using screws (#H). There may not be pre-drilled holes on the seat (#12).



8



ASSEMBLY COMPLETED



Please ensure the furniture rests on an even and flat surface. If the product wobbles or feels loose, double-check all bolts and/or screws are properly tightened and secured.



Keep this handy!

Please retain this instruction manual and any order-related information for future reference.



Lift, don't drag!

To avoid damage to product please always LIFT the product when transporting or adjusting the placement.