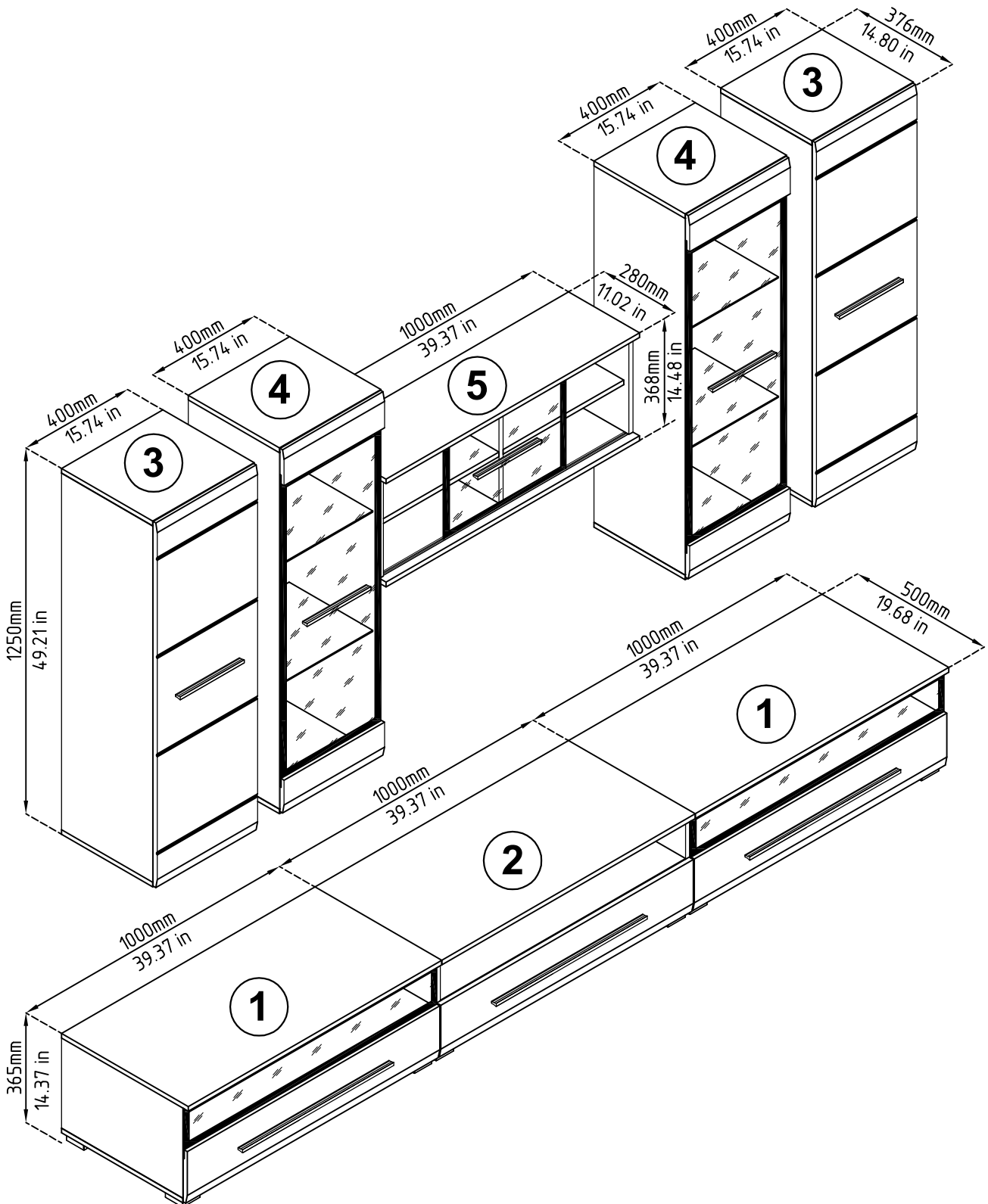
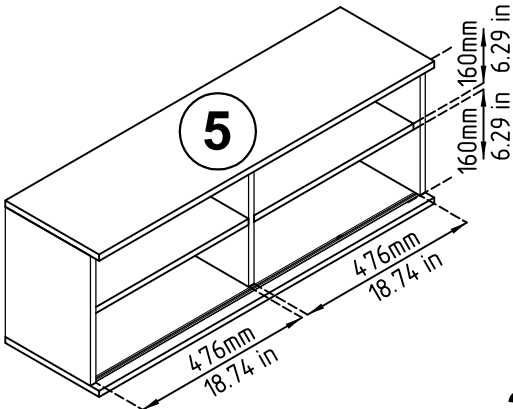
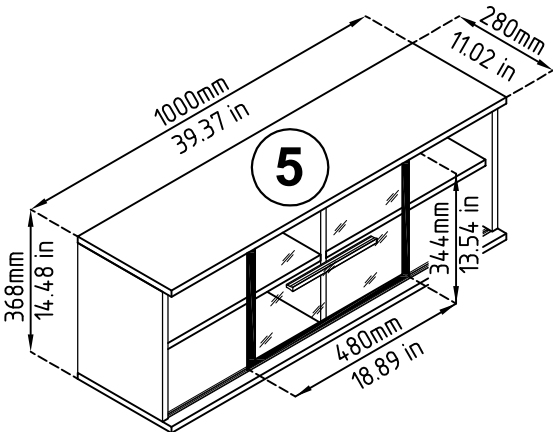
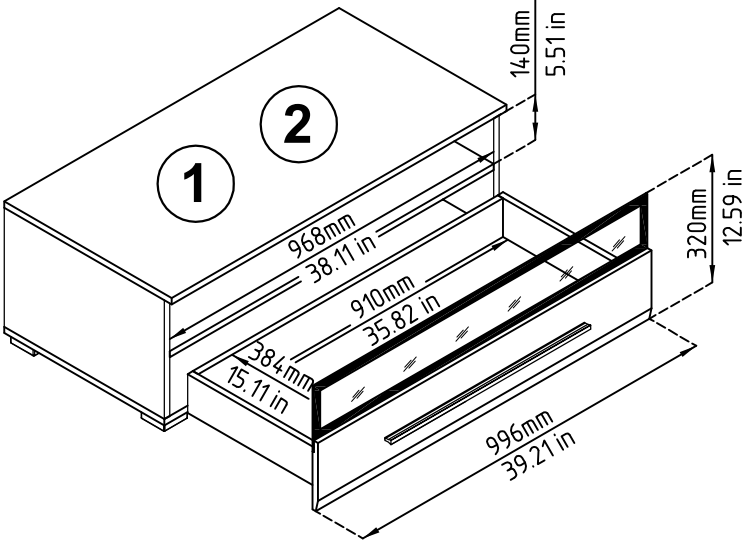
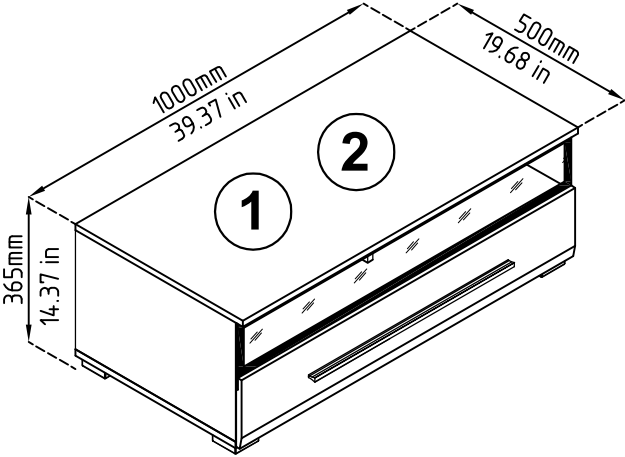
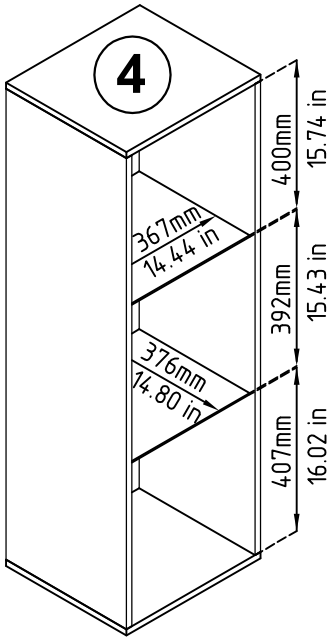
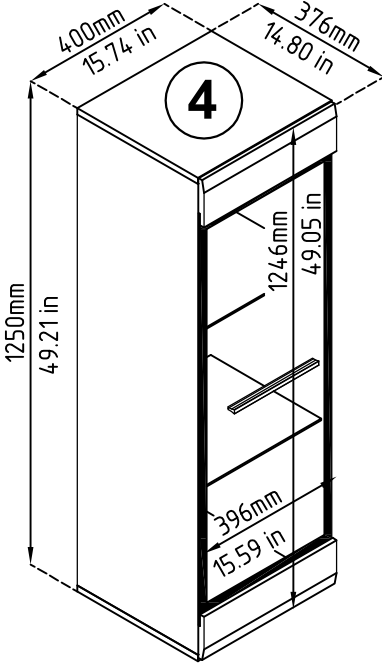
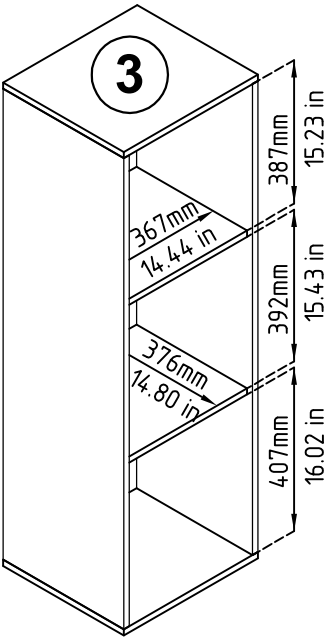
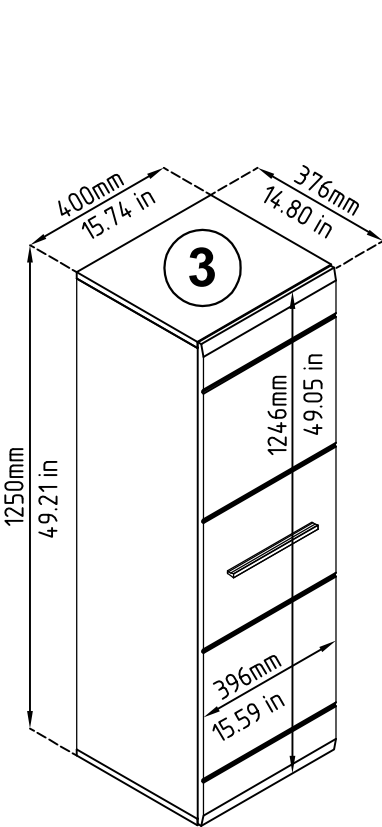
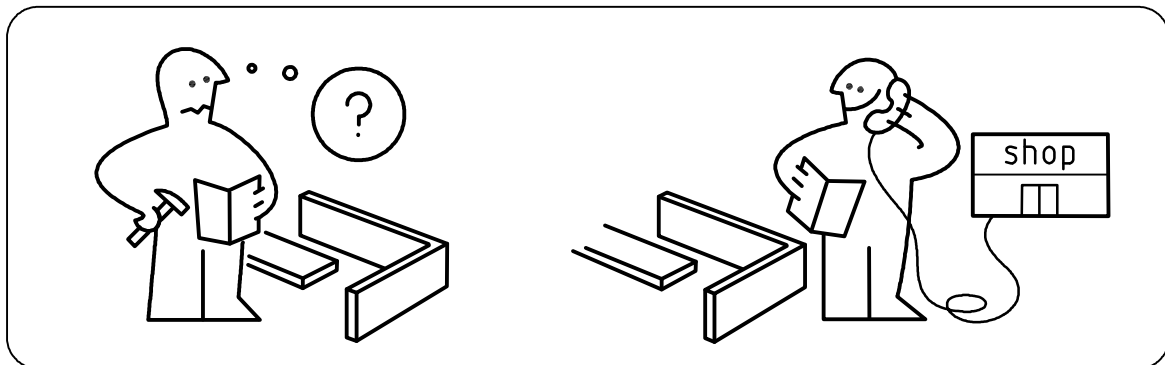
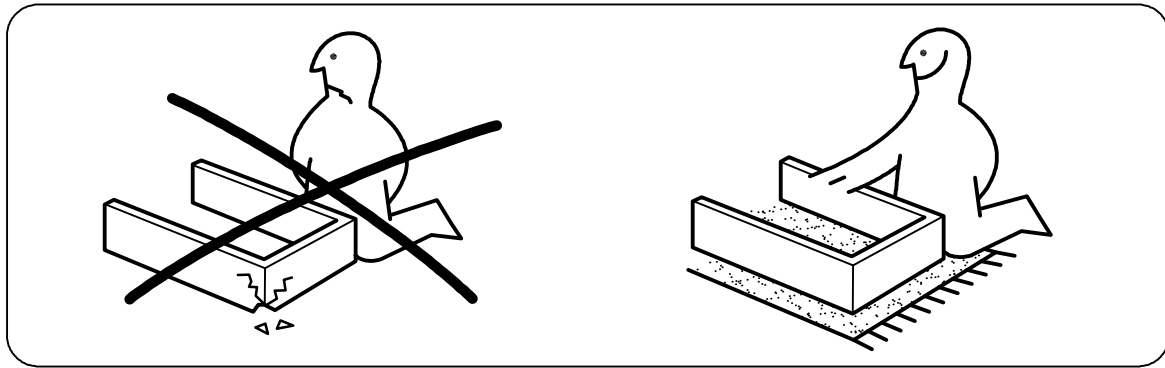
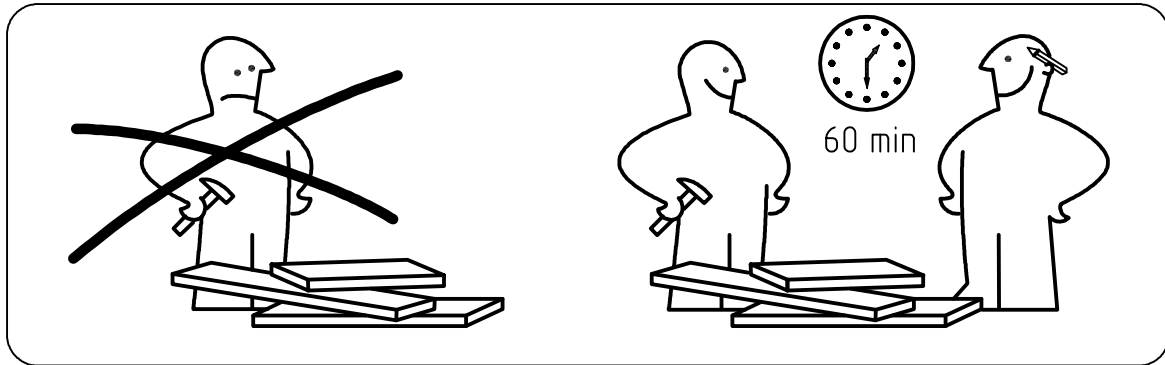
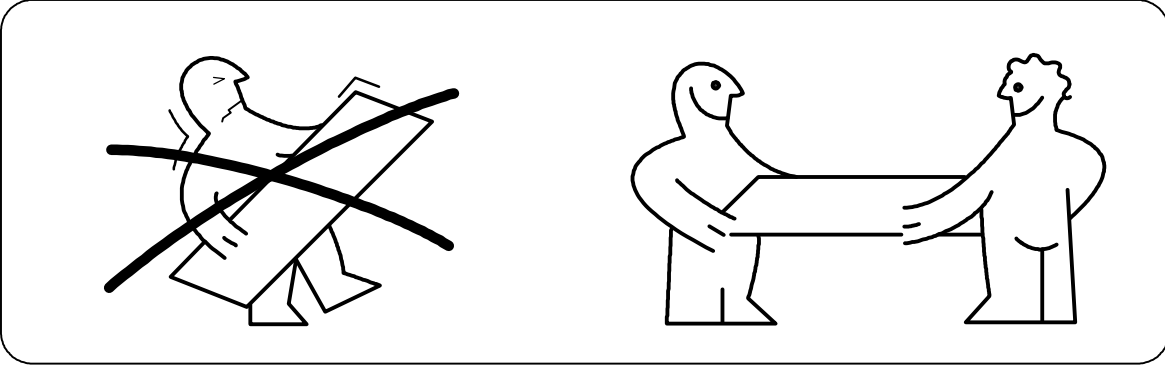
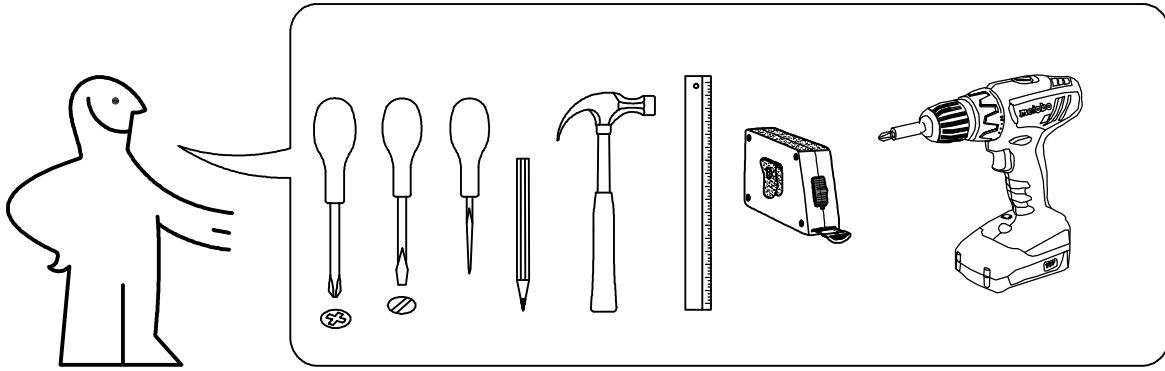


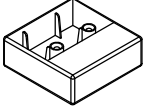

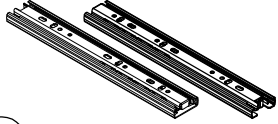



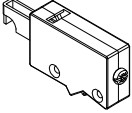
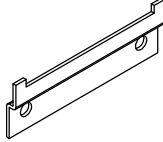

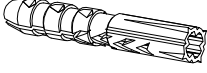
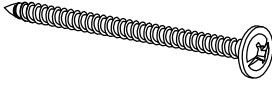
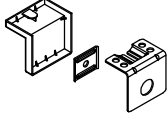

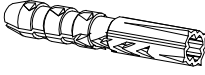
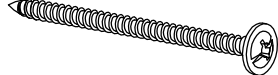
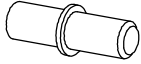
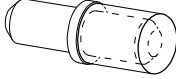


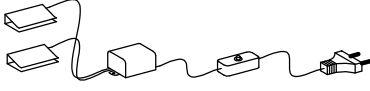


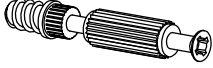

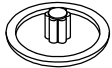
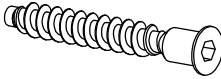

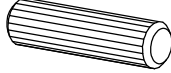
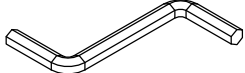
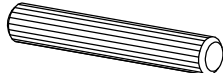
Fever Entertainment Center

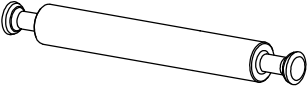
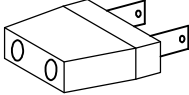


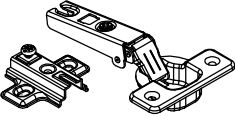

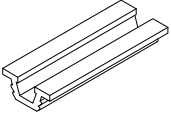
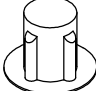


Fever Entertainment Center





 <p>(K4) x12</p>	 <p>(E16) 0.15*1.37 in x24</p>	 <p>(M2) L- 15.75 in x3</p>
 <p>(E5) 0.13*0.62 in x52</p>	 <p>(M4) L-15.08 in x3</p>	 <p>(E6) 0.11*0.78 in x6</p>
 <p>(N1) x10</p>	 <p>(O4) x10</p>	 <p>(E15) 0.15*1.18 in x20</p>
 <p>(H6) 0.39*1.96 in x20</p>	 <p>(E25) 0.23*2.36 in x20</p>	 <p>(S14) K-06 x3</p>
 <p>(E-1) 0.13*1.06 in x13</p>	 <p>(H5) 0.31*1.96 in x3</p>	 <p>(E20) 0.16*2 in x3</p>
 <p>(J1) 0.19*0.62 in x16</p>	 <p>(J4) 0.19*0.62 in x16</p>	 <p>(U7) x26</p>
 <p>(E-2) 0.16*0.51 in x38</p>	 <p>(T1) x2</p>	 <p>(H2) x92</p>
 <p>(U3) x8</p>	 <p>(C1) 0.23*1.69 in x85</p>	 <p>(D1) 0.59 in x89</p>
 <p>(D) Ø 0.78 in x89</p>	 <p>(B1) x30</p>	 <p>(B) ø0.47 in x30</p>
 <p>(A1) 0.31*1.18 in x102</p>	 <p>(R4) №4 x1</p>	 <p>(A2) 0.31*1.96 in x2</p>

 C2 0.31*2.20 in x2	 T9 x2	 I2 L-23.46 in x3
 I2 L-9.92 in x5	 L1 x8	 F3 0.24*0.51 in x16
 W21 L-38.07 in x2	 B3 x72	

1

2

No	a*b	x
1.1	12.13x18.82 in	2
1.2	12.13x18.82 in	2
1.3	5.51x14.41 in	2
1.4	39.37x19.69 in	2
1.5	39.37x18.82 in	2
1.6	38.11x18.27 in	2
1.7/1	15.75x3.93 in	2
1.7/2	15.75x3.93 in	2
1.8	35.83x3.93 in	2
1.9	39.21x7.08 in	2
1.10	39.21x6.89 in	2
1.11	36.18x15.47 in	2
1.12	38.46x12.48 in	2

No	a*b	x
2.1	12.13x18.82 in	1
2.2	12.13x18.82 in	1
2.3	5.51x14.41 in	1
2.4	39.37x19.69 in	1
2.5	39.37x18.82 in	1
2.6	38.11x18.27 in	1
2.7/1	15.75x3.93 in	1
2.7/2	15.75x3.93 in	1
2.8	35.83x3.93 in	1
2.9	39.21x7.08 in	1
2.10	36.18x15.47 in	1
2.11	38.46x12.48 in	1

3

No	a*b	x
3.1	47.95x14.17 in	2
3.2	47.95x14.17 in	2
3.3	15.75x14.17 in	2
3.4	15.75x14.17 in	2
3.5	14.45x14.17 in	4
3.6	49.06x15.59 in	2
3.7	48.31x14.84 in	2

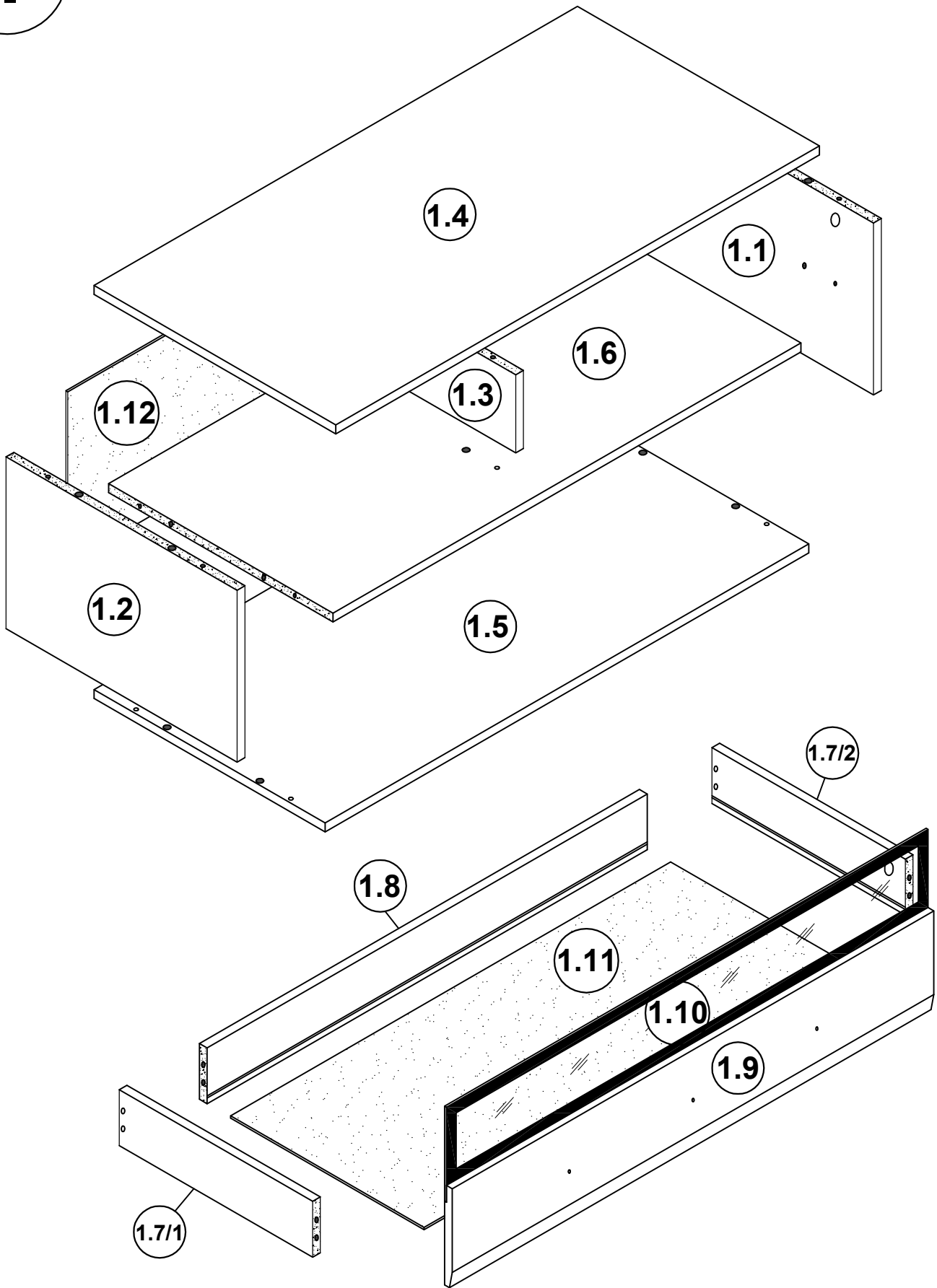
4

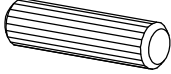
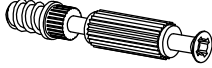
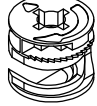
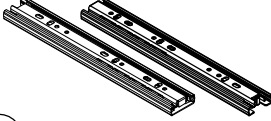

No	a*b	x
4.1	47.95x14.17 in	2
4.2	47.95x14.17 in	2
4.3	15.75x14.17 in	2
4.4	15.75x14.17 in	2
4.5	14.45x12.99 in	4
4.6	4.72x15.59 in	2
4.7	4.72x15.59 in	2
4.8	41.97x15.59 in	2
4.9	48.31x14.84 in	2

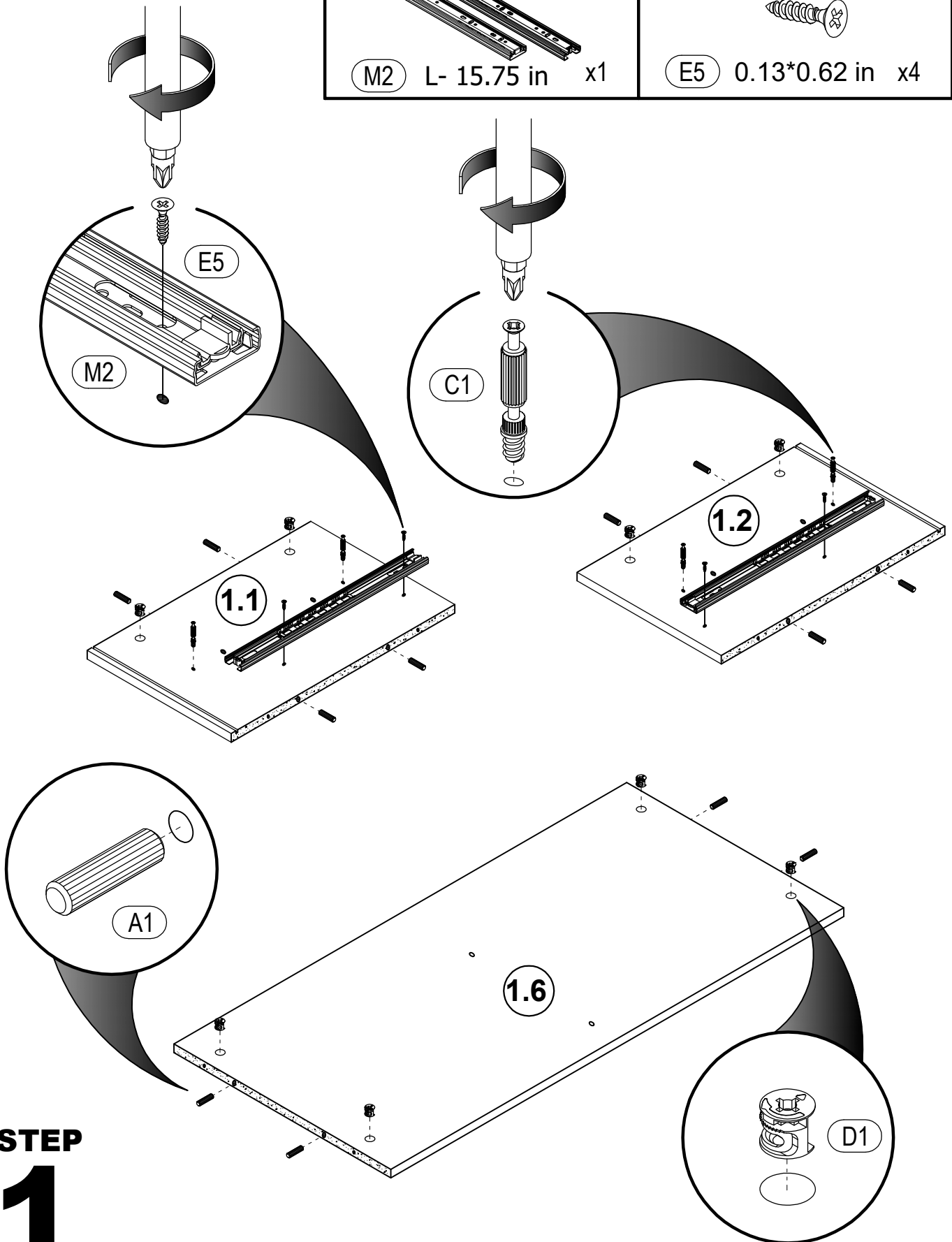
5

No	a*b	x
5.1	13.23x10 in	1
5.2	13.23x10 in	1
5.3	13.23x8.66 in	1
5.4	39.37x11.02 in	2
5.5/1	18.74x8.66 in	1
5.5/2	18.74x8.66 in	1
5.6	18.9x13.54 in	1
5.7	38.46x13.58 in	1

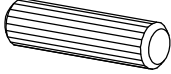
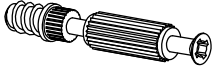
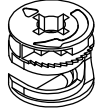
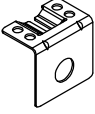
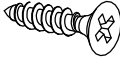
1

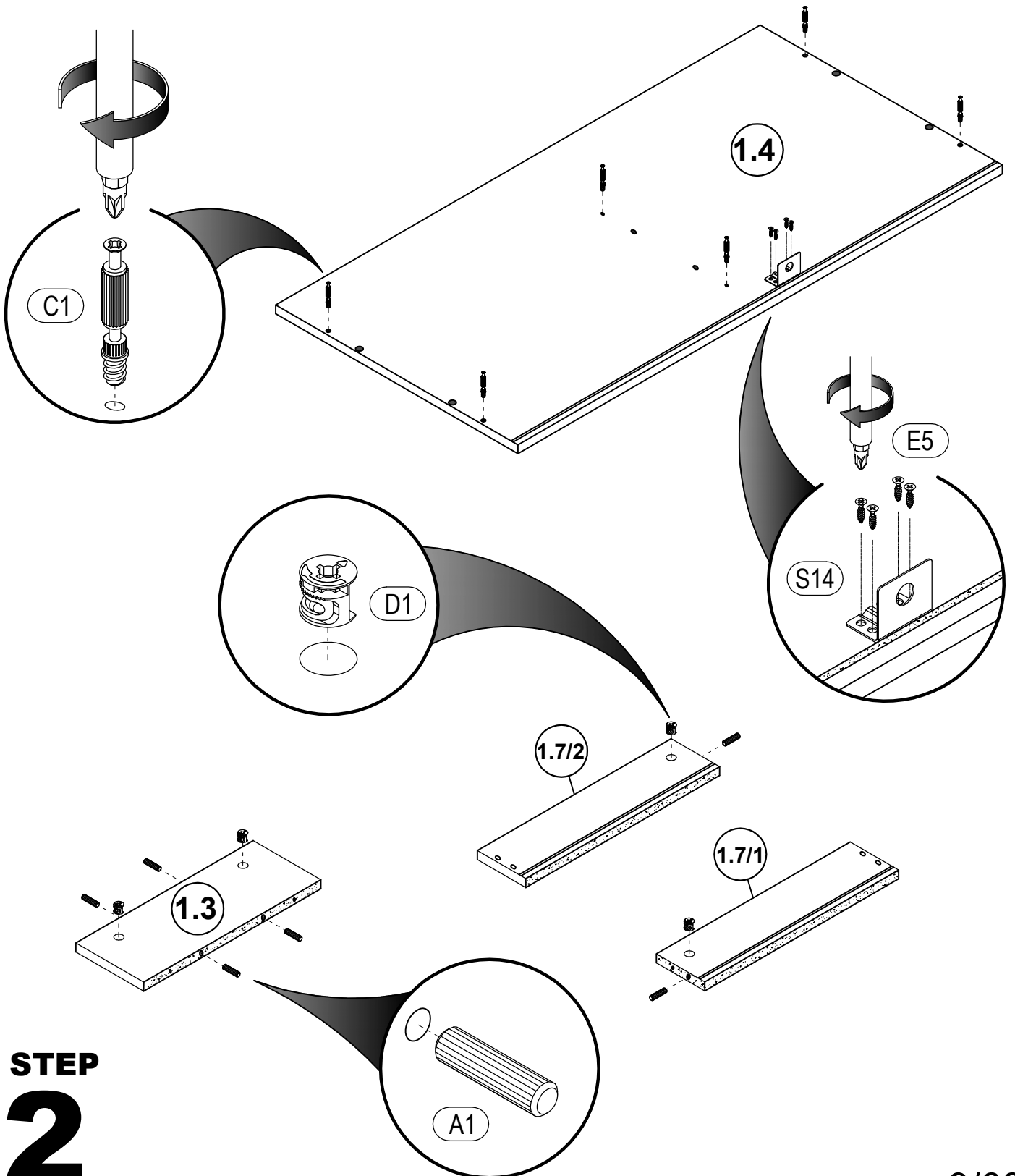


 <p>(A1) 0.31*1.18 in x12</p>	 <p>(C1) 0.23*1.69 in x4</p>	 <p>(D1) 0.59 in x8</p>
 <p>(M2) L- 15.75 in x1</p>	 <p>(E5) 0.13*0.62 in x4</p>	

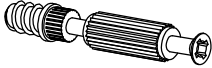
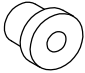



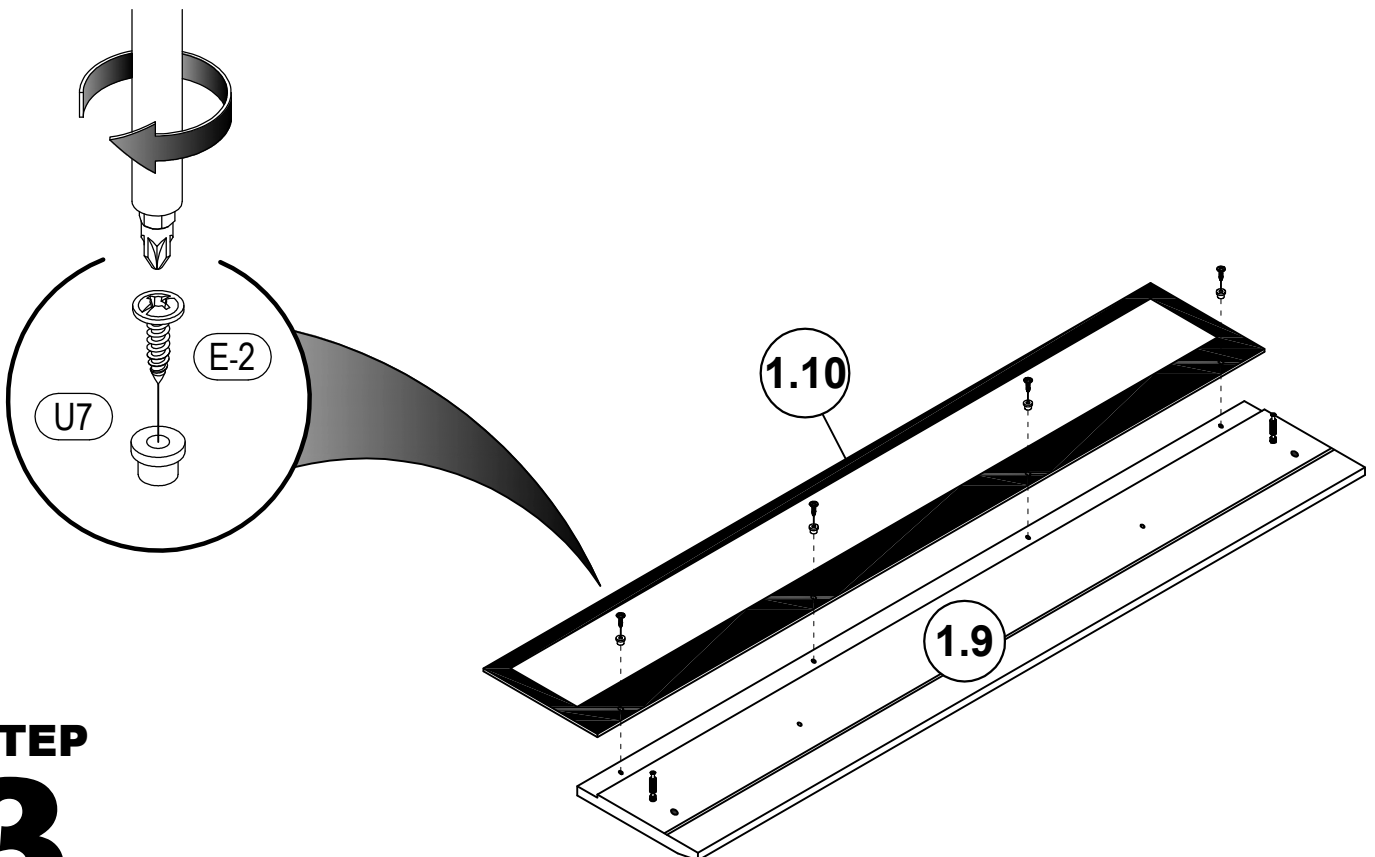
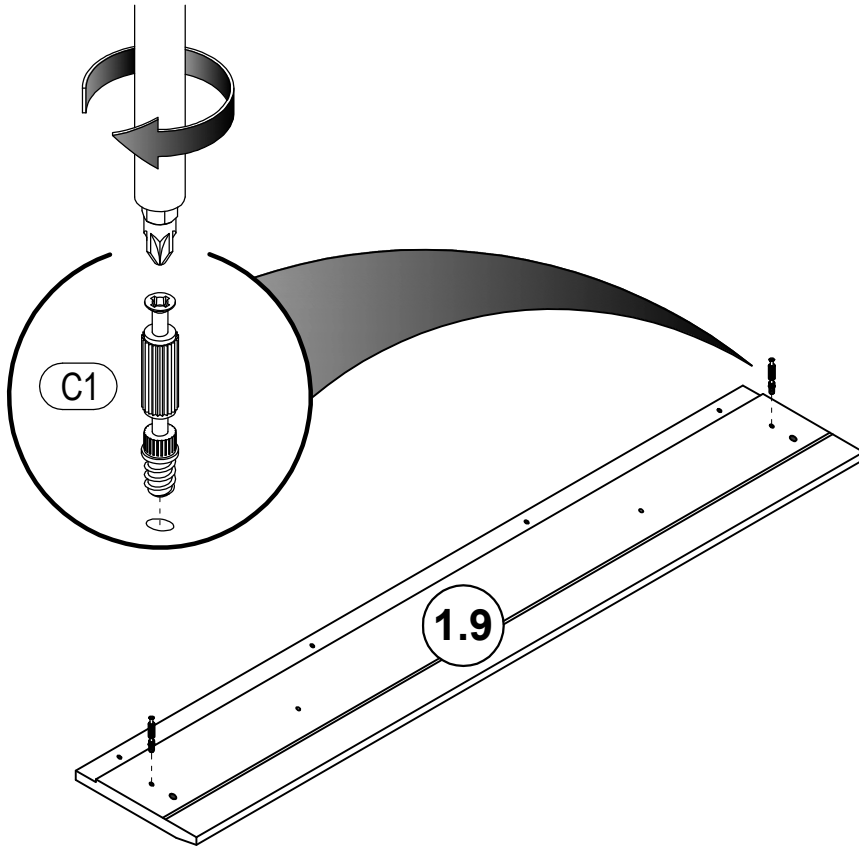
STEP
1

 <p>(A1) 0.31*1.18 in x6</p>	 <p>(C1) 0.23*1.69 in x6</p>	 <p>(D1) 0.59 in x4</p>
 <p>(S14) K-06 x1</p>	 <p>(E5) 0.13*0.62 in x4</p>	

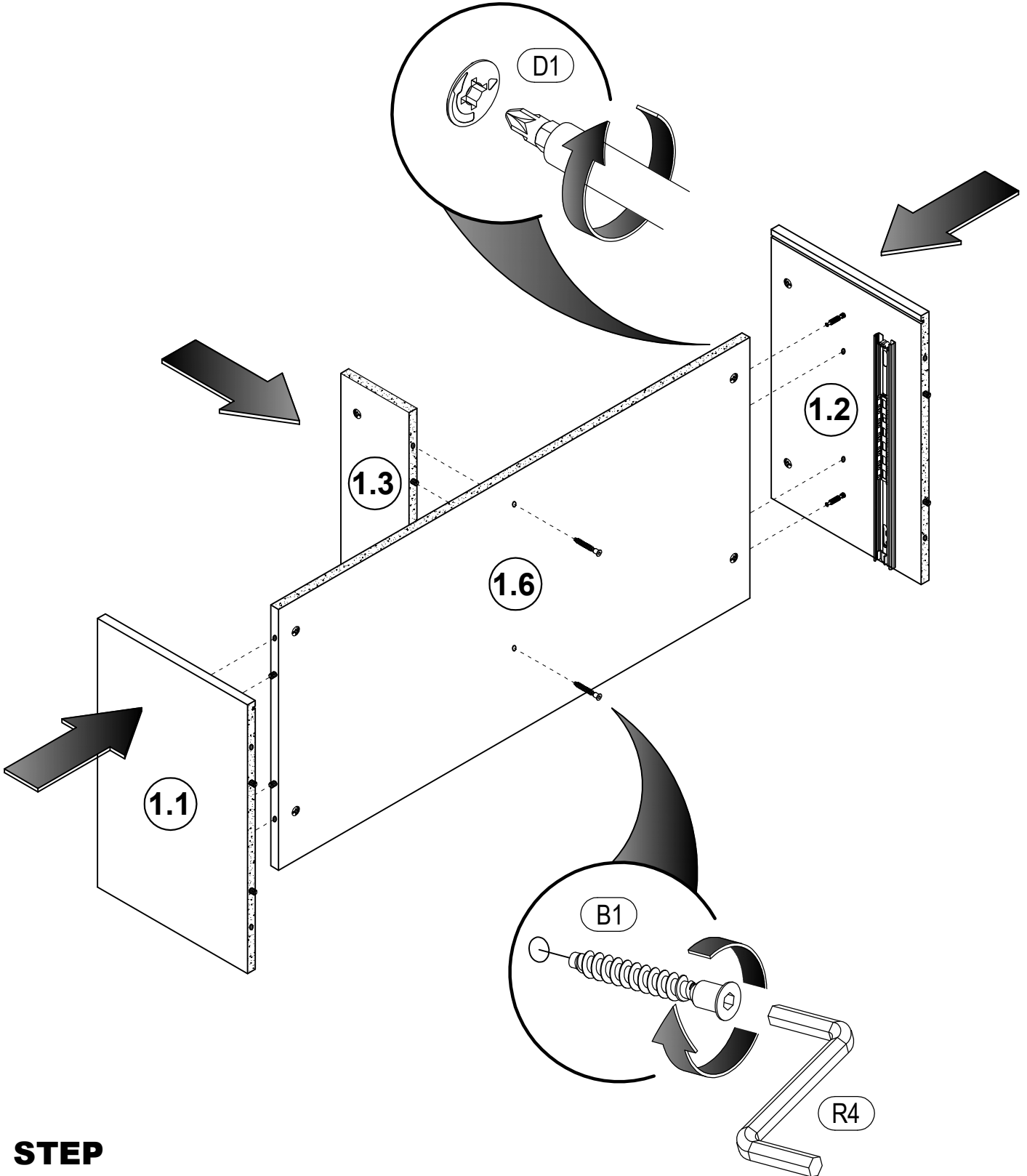
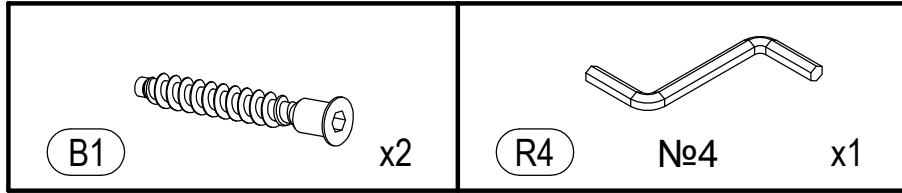


STEP
2

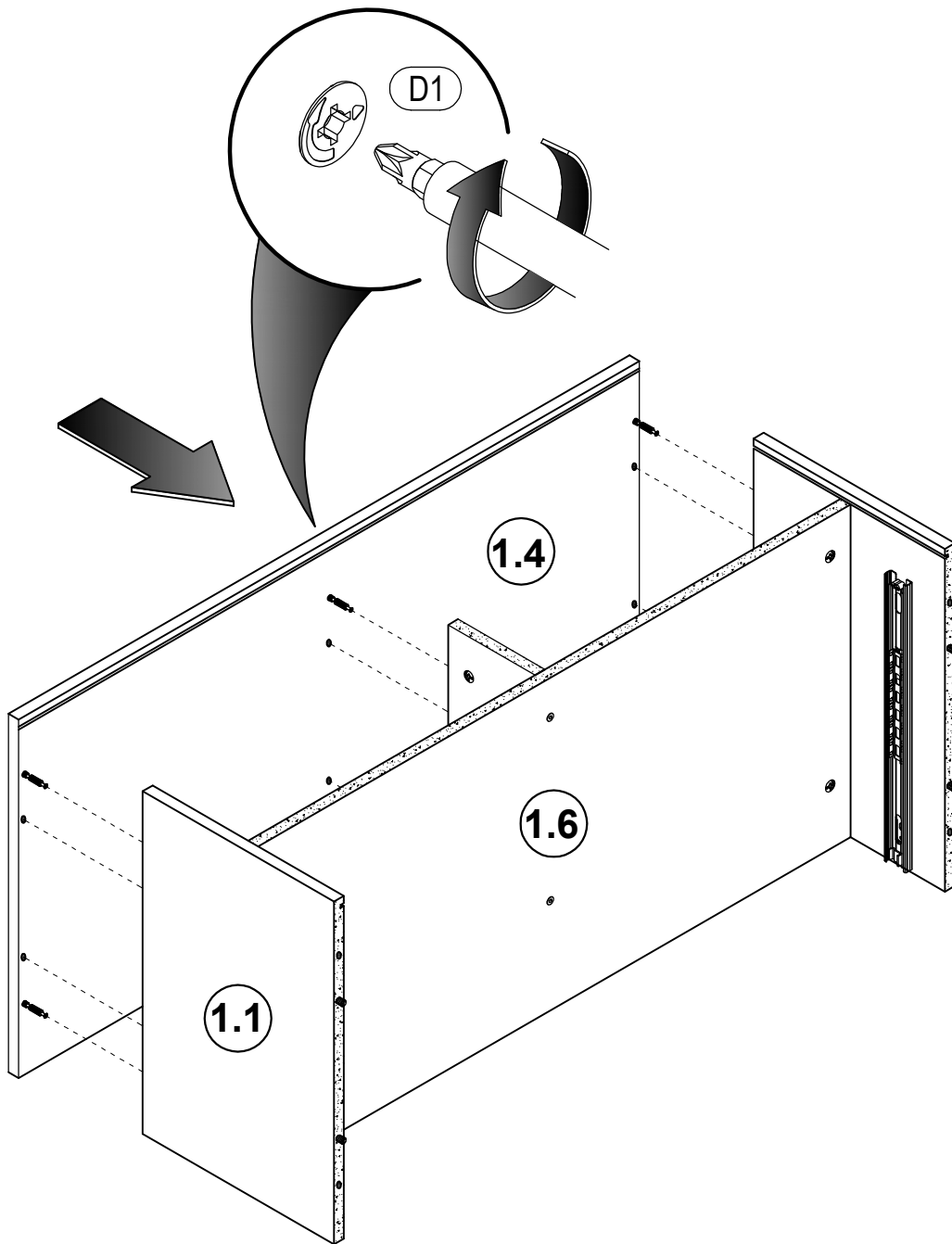
 C1 0.23*1.69 in x2	 U7 x4	 E-2 0.16*0.51 in x4
---	--	--



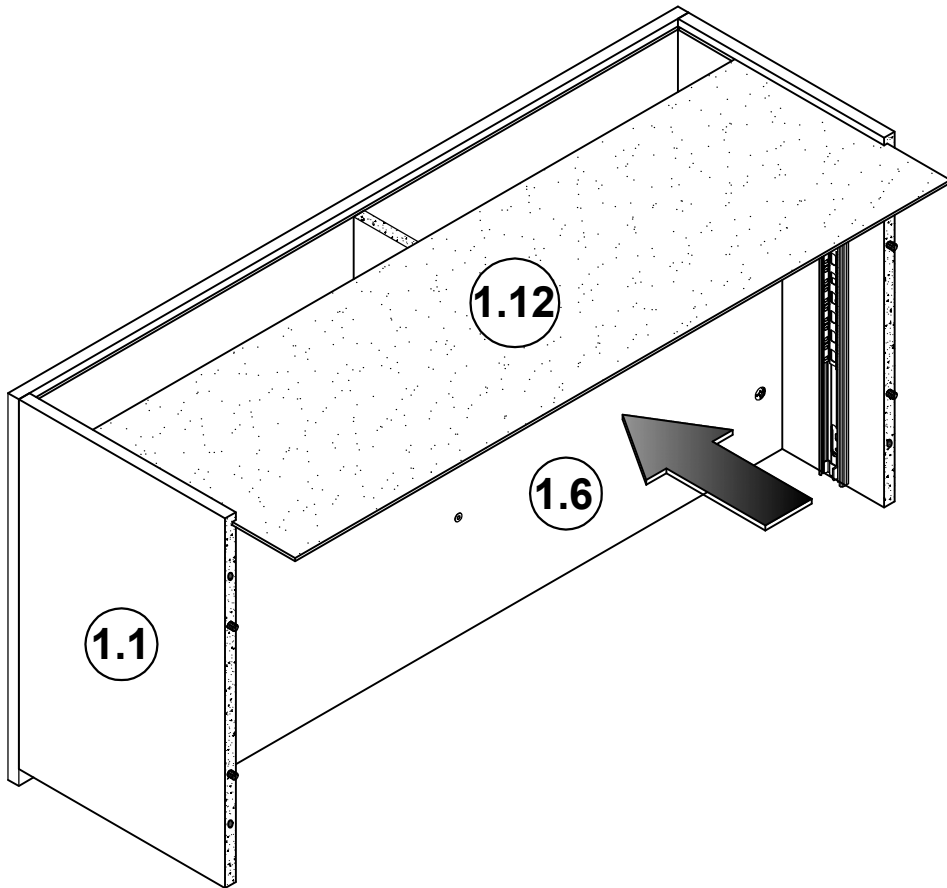
STEP
3



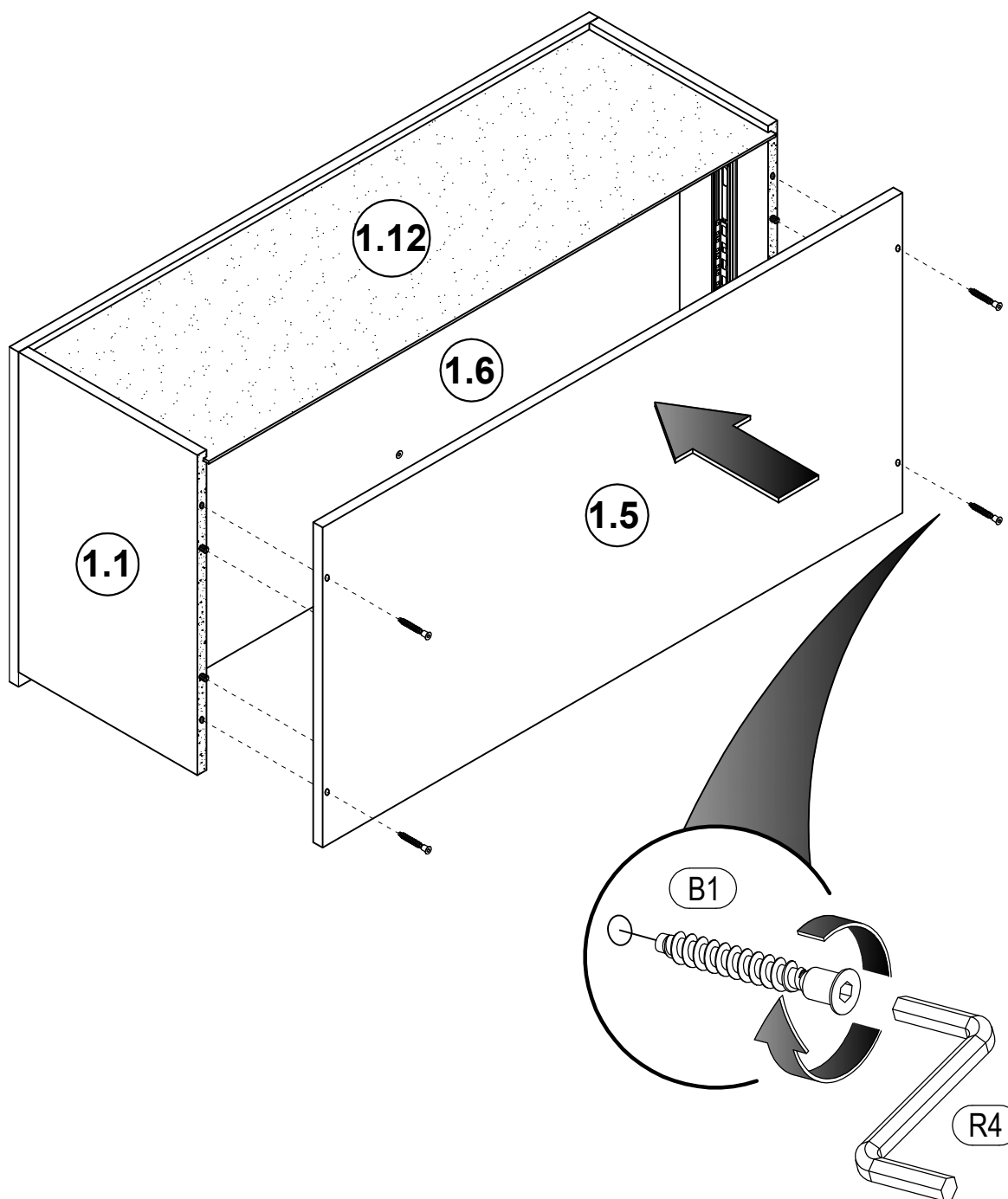
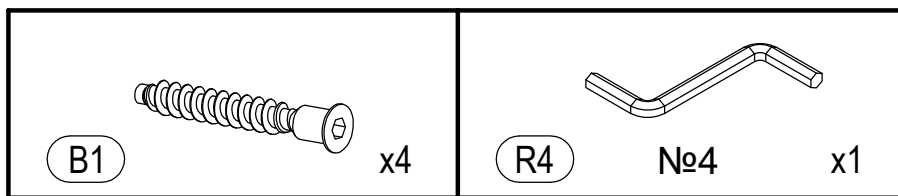
STEP
4



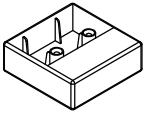


STEP
5

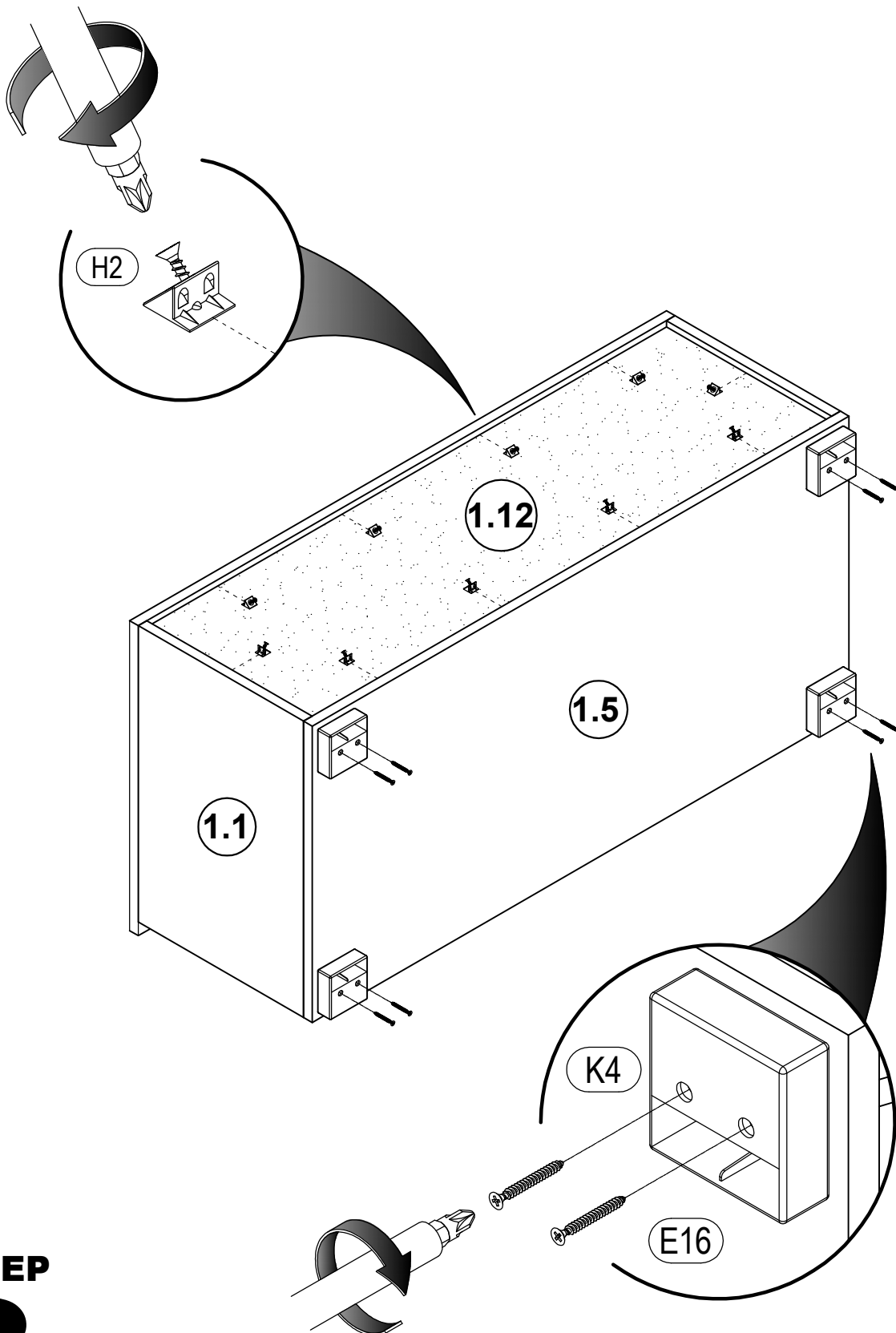


STEP
6



STEP
7

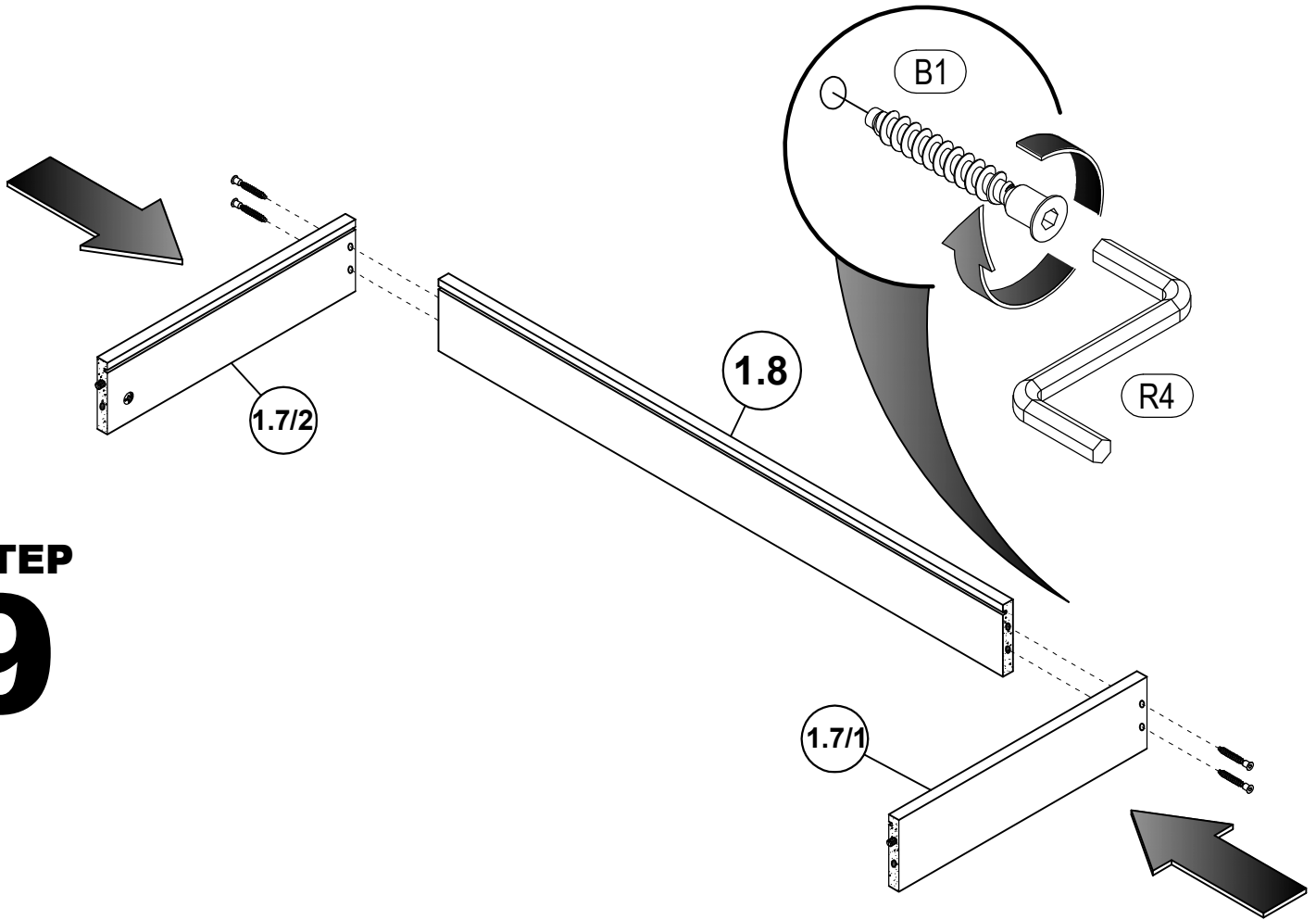
 <p>(K4) x4</p>	 <p>(E16) 0.15*1.37 in x8</p>	 <p>(H2) x10</p>
--	--	---



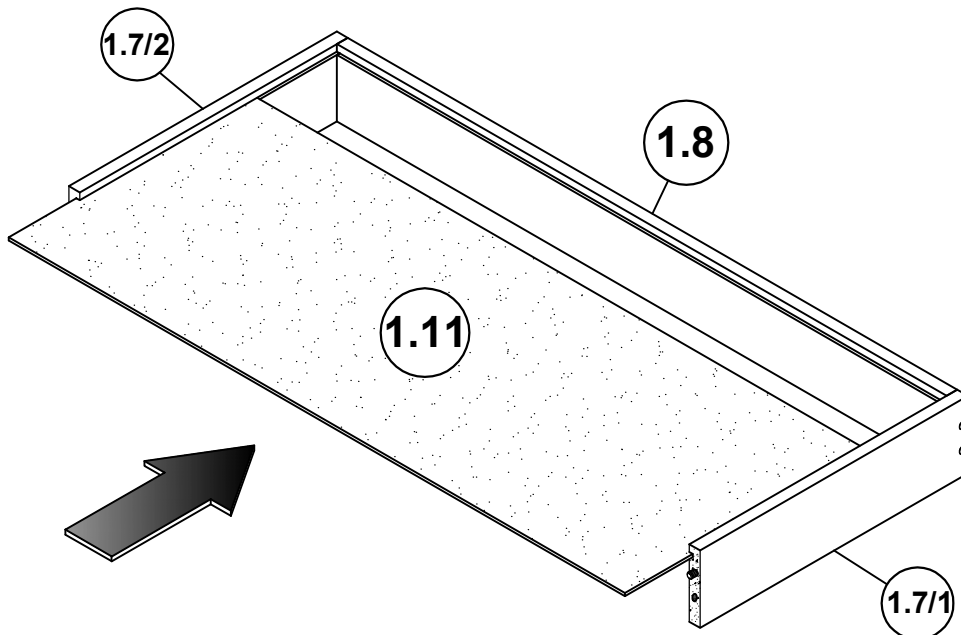
STEP
8

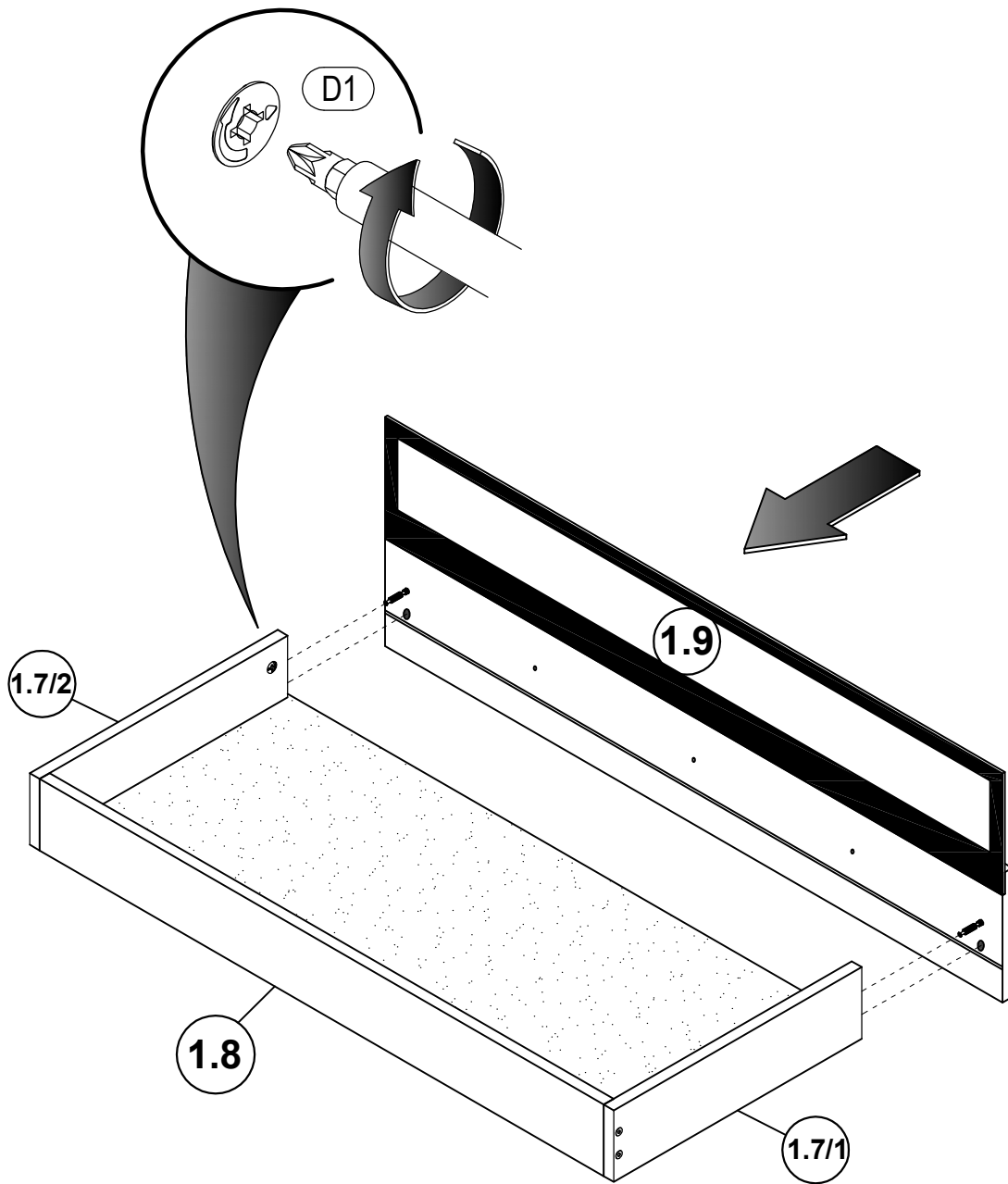


STEP
9


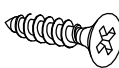





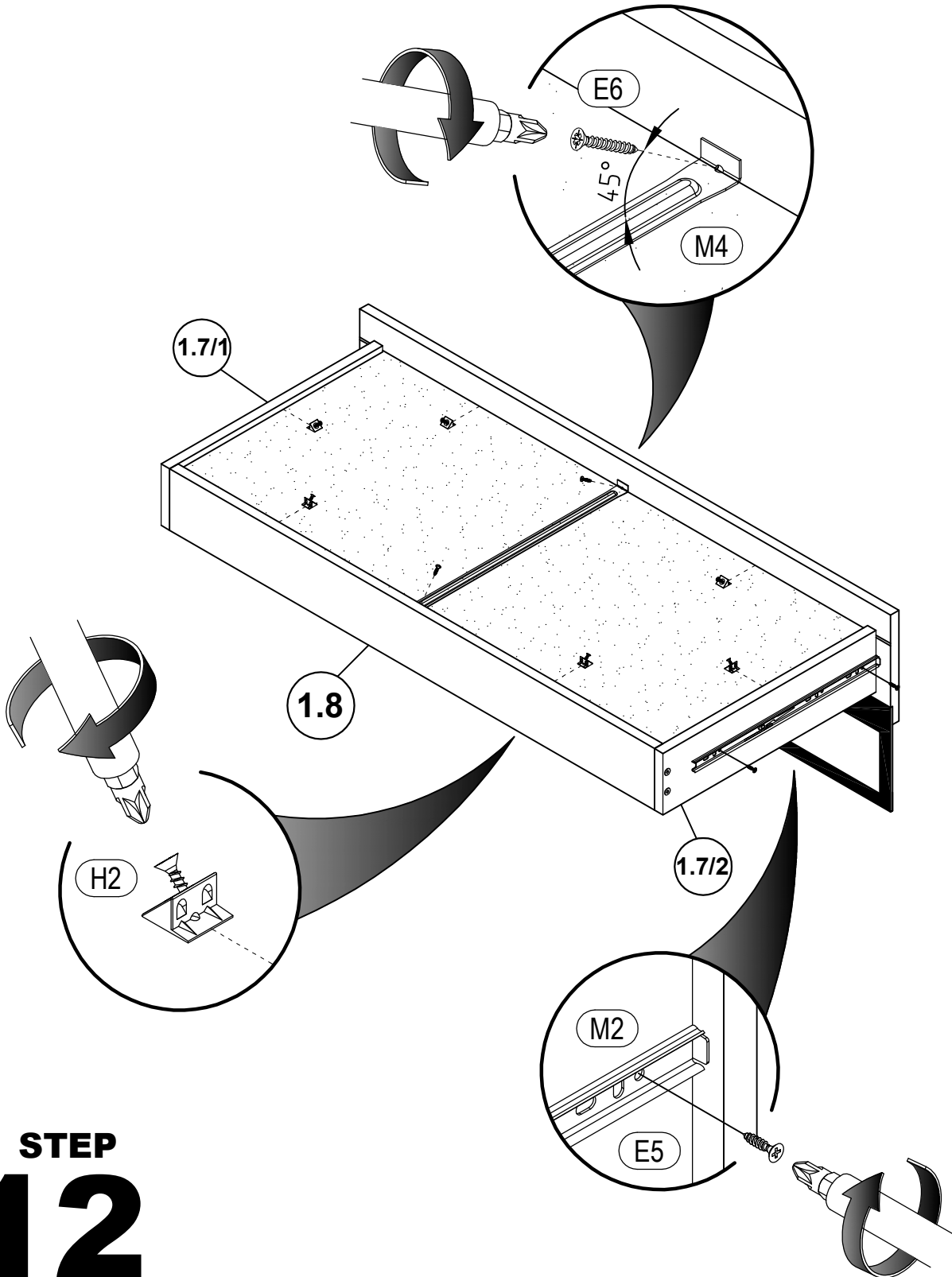
STEP
10



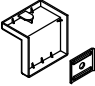
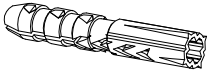
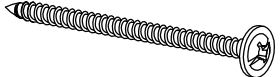


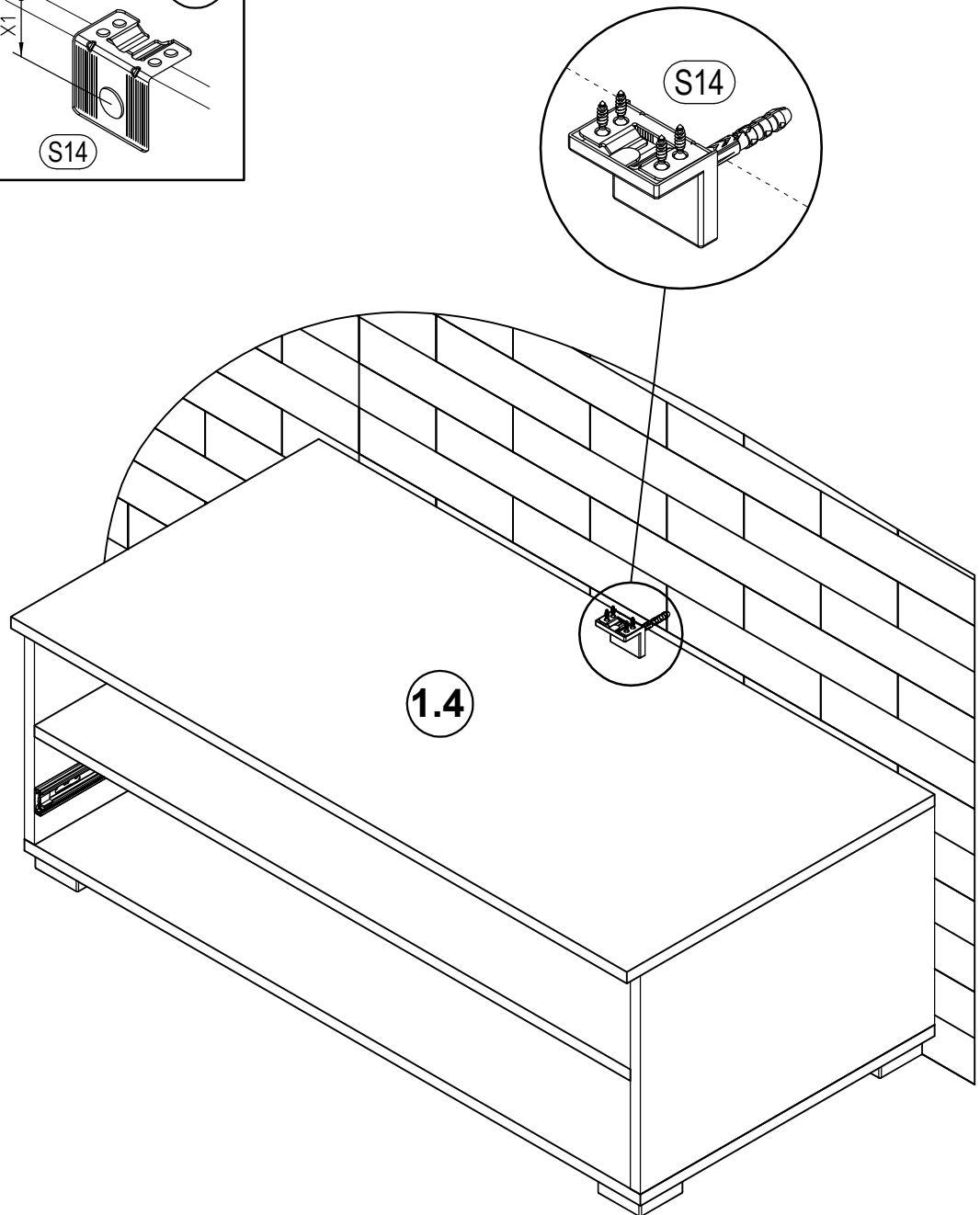
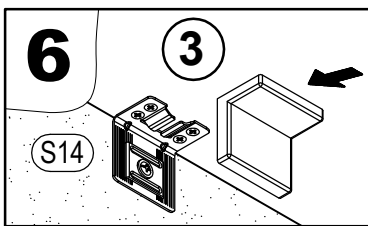
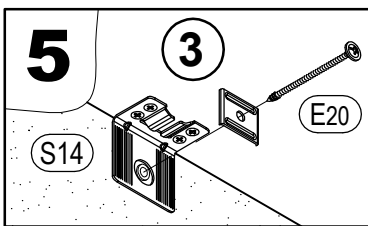
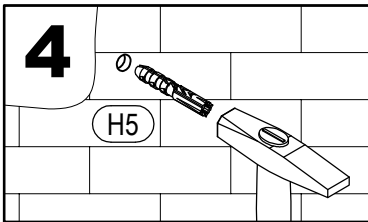
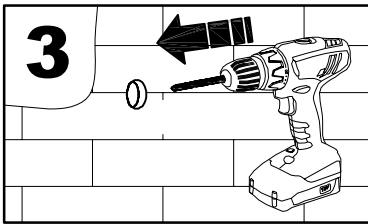
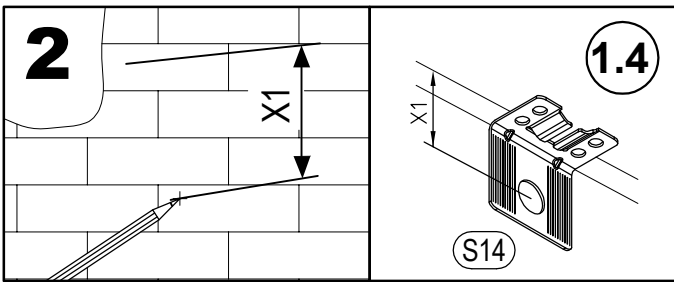
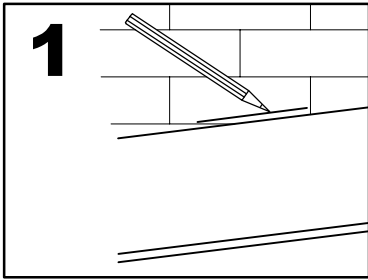
STEP
11

 <p>(M2) L- 15.75 in x1</p>	 <p>(E5) 0.13*0.62 in x4</p>	 <p>(H2) x6</p>
 <p>(M4) L-15.08 in x1</p>	 <p>(E6) 0.11*0.78 in x2</p>	

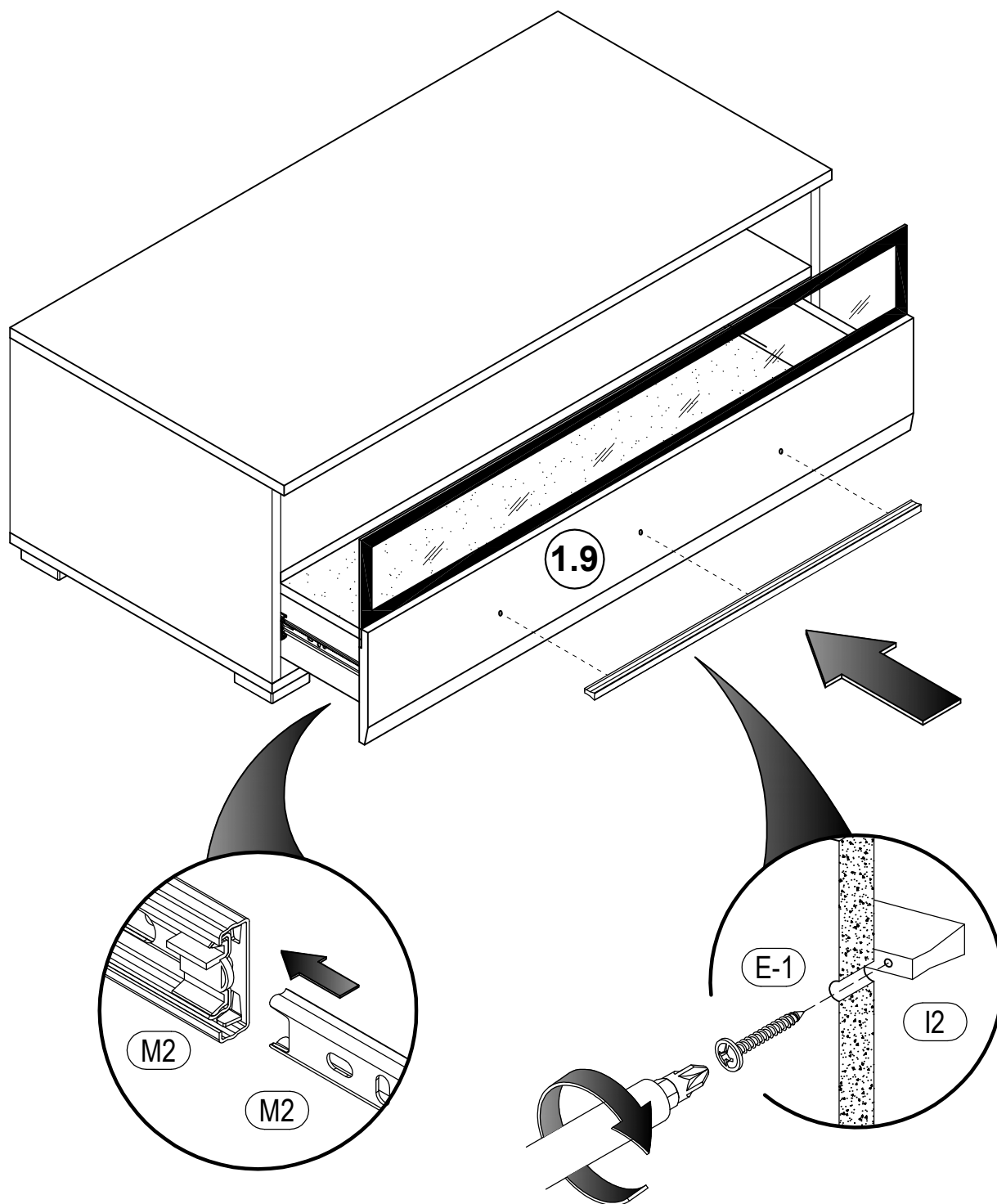
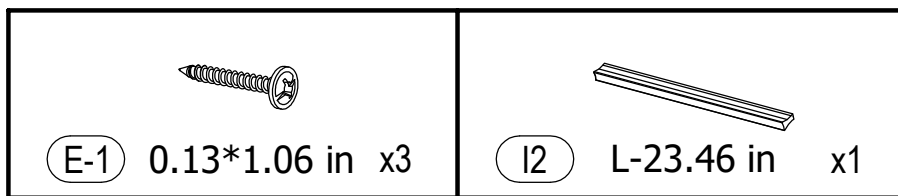


STEP
12

 <p>(S14) K-06 x1</p>	 <p>(H5) 0.31*1.96 in x1</p>	 <p>(E20) 0.16*2 in x1</p>
--	---	---

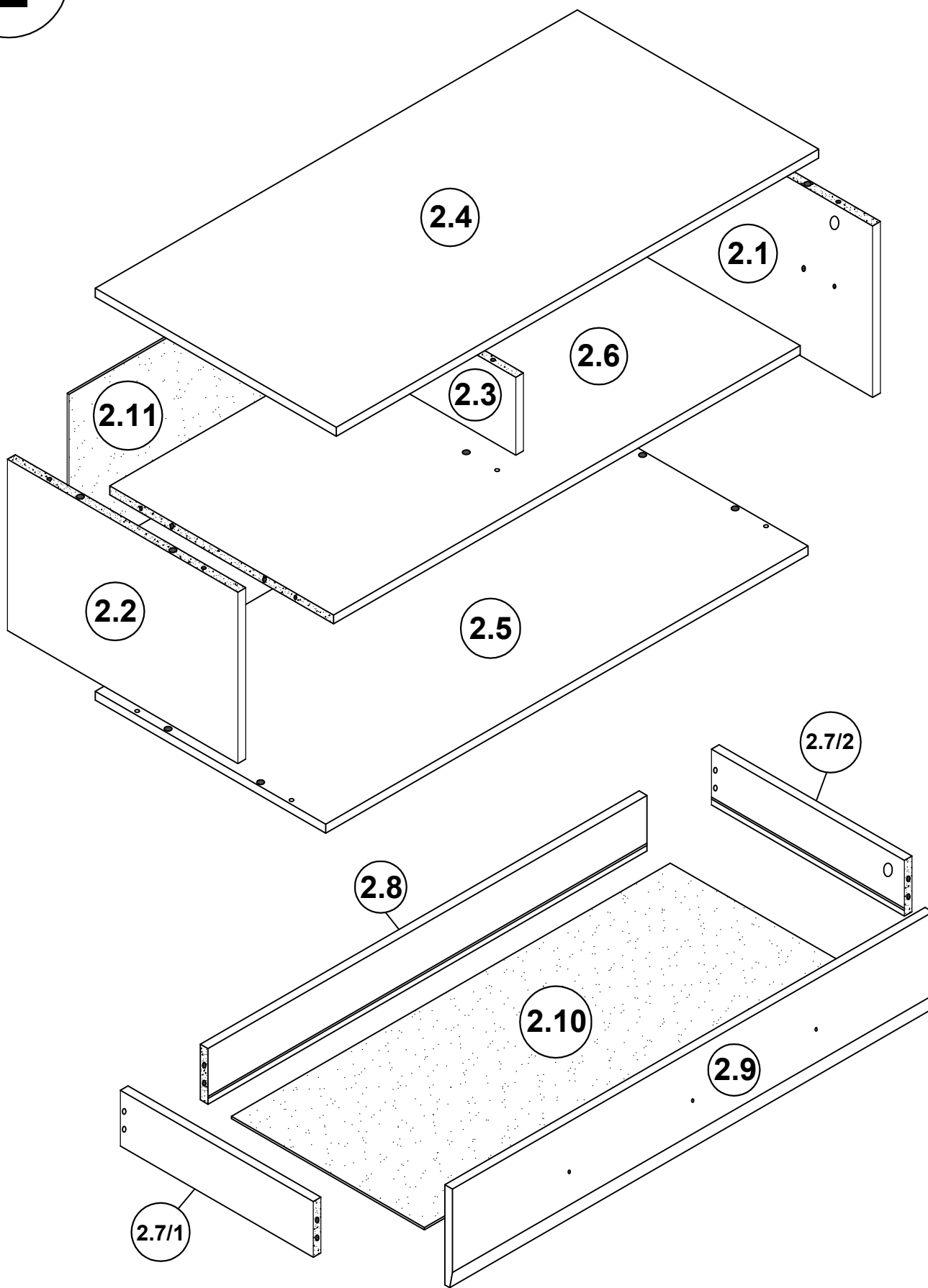


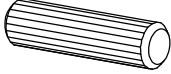
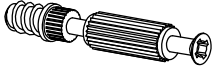
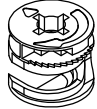
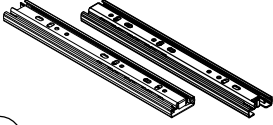

STEP
13

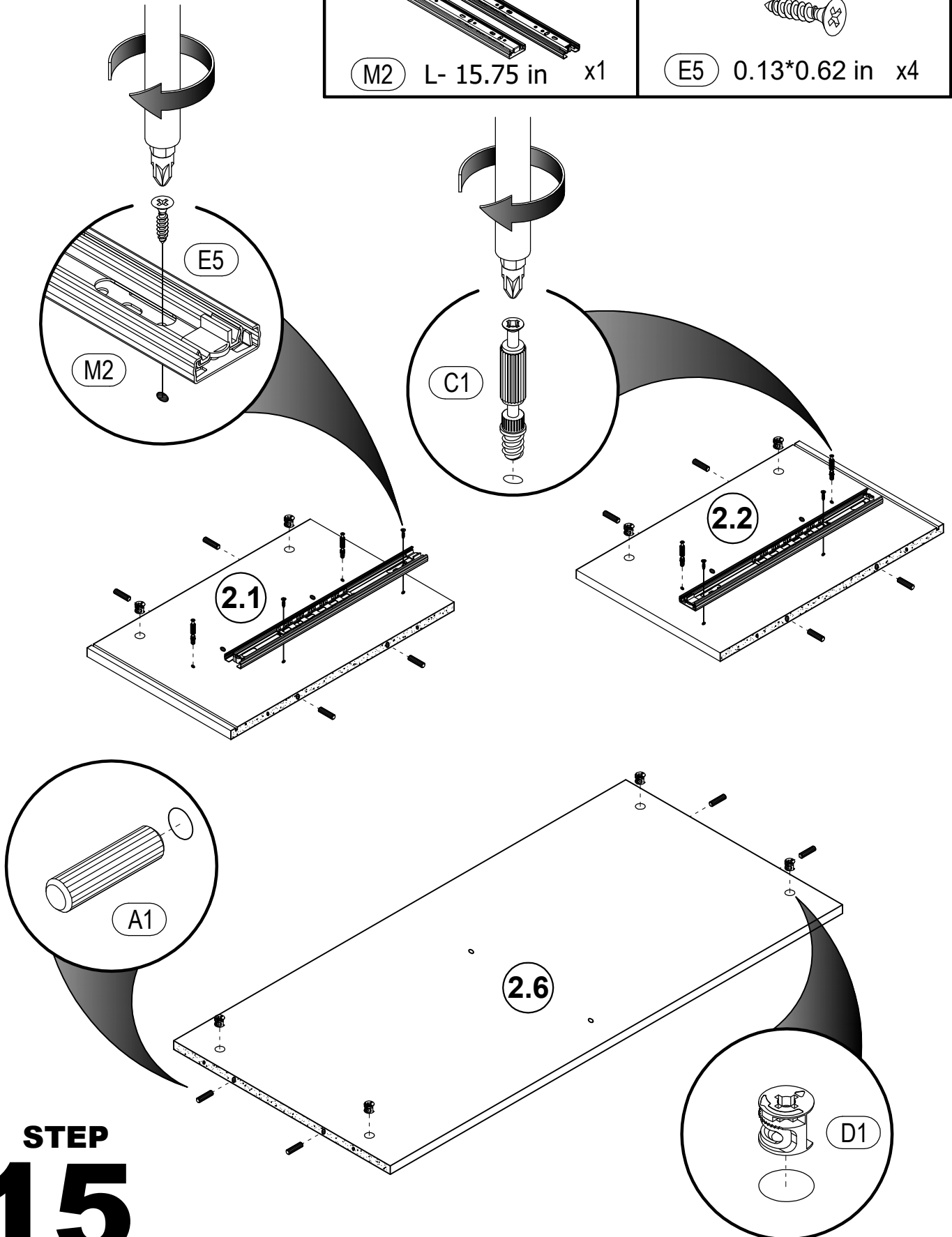


STEP
14

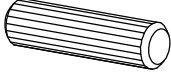
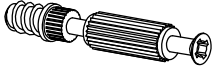
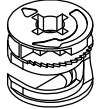
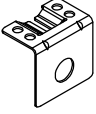
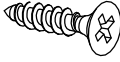
2

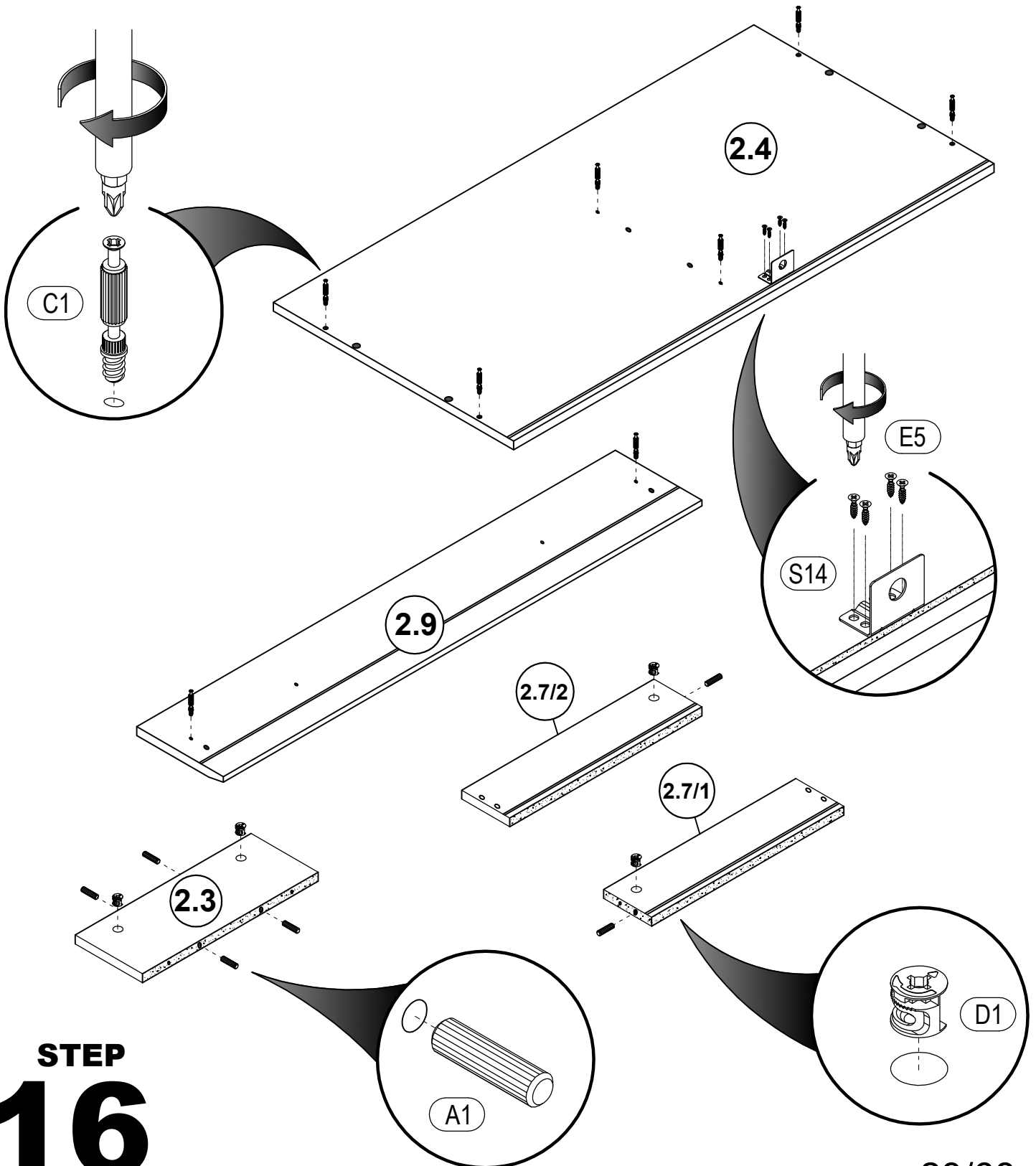


 <p>(A1) 0.31*1.18 in x12</p>	 <p>(C1) 0.23*1.69 in x4</p>	 <p>(D1) 0.59 in x8</p>
 <p>(M2) L- 15.75 in x1</p>	 <p>(E5) 0.13*0.62 in x4</p>	

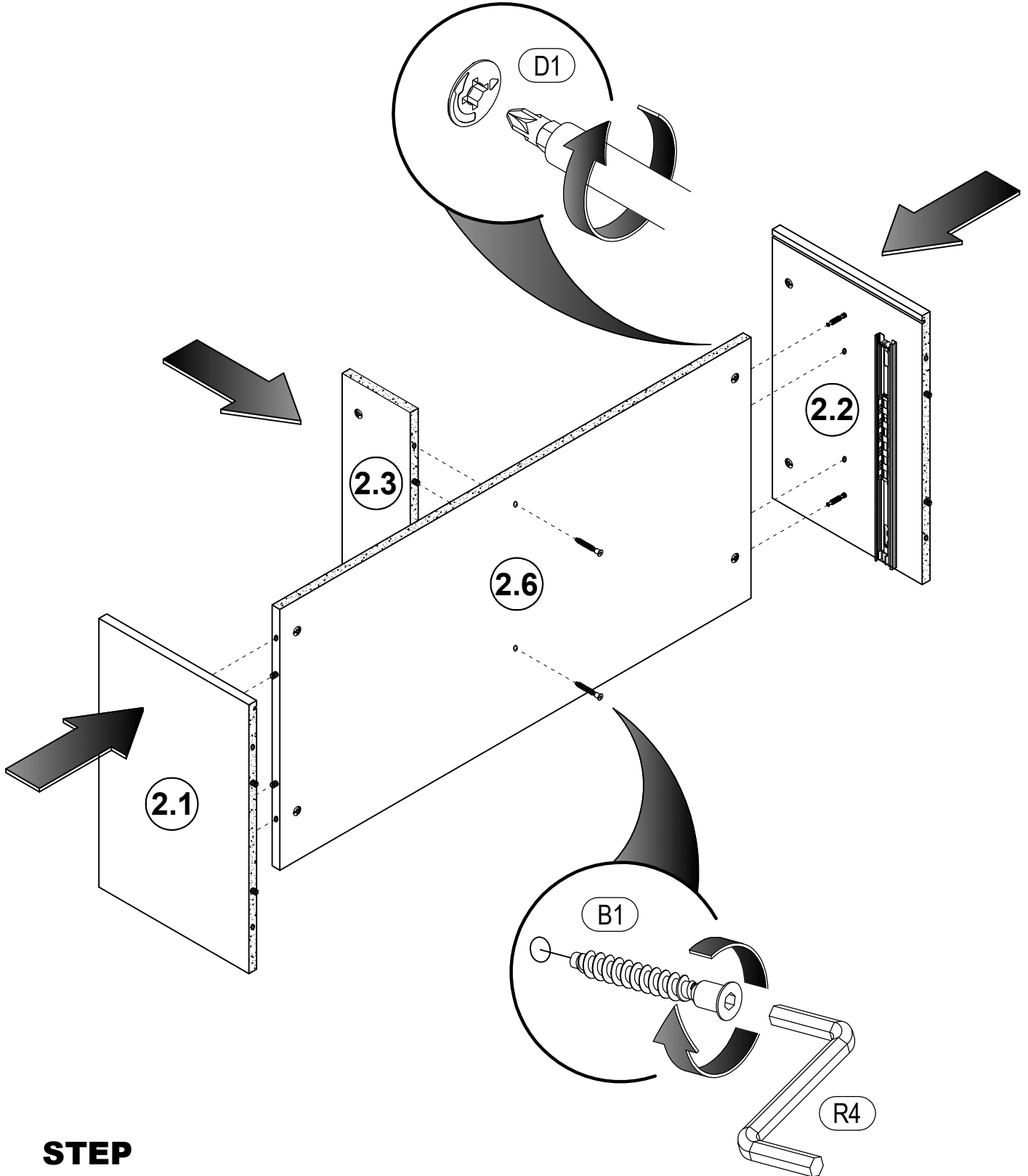


STEP
15

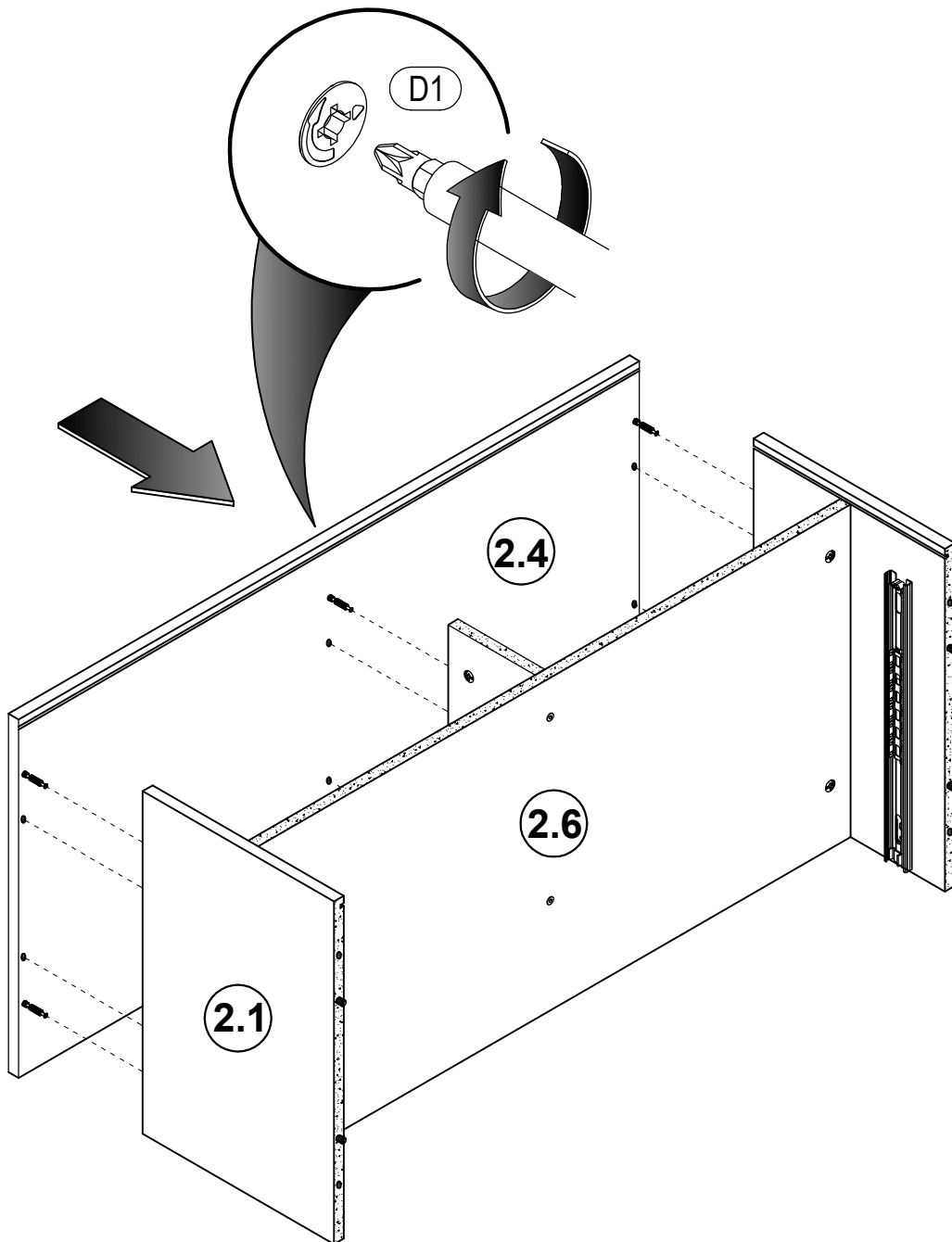
 <p>(A1) 0.31*1.18 in x6</p>	 <p>(C1) 0.23*1.69 in x8</p>	 <p>(D1) 0.59 in x4</p>
 <p>(S14) K-06 x1</p>	 <p>(E5) 0.13*0.62 in x4</p>	



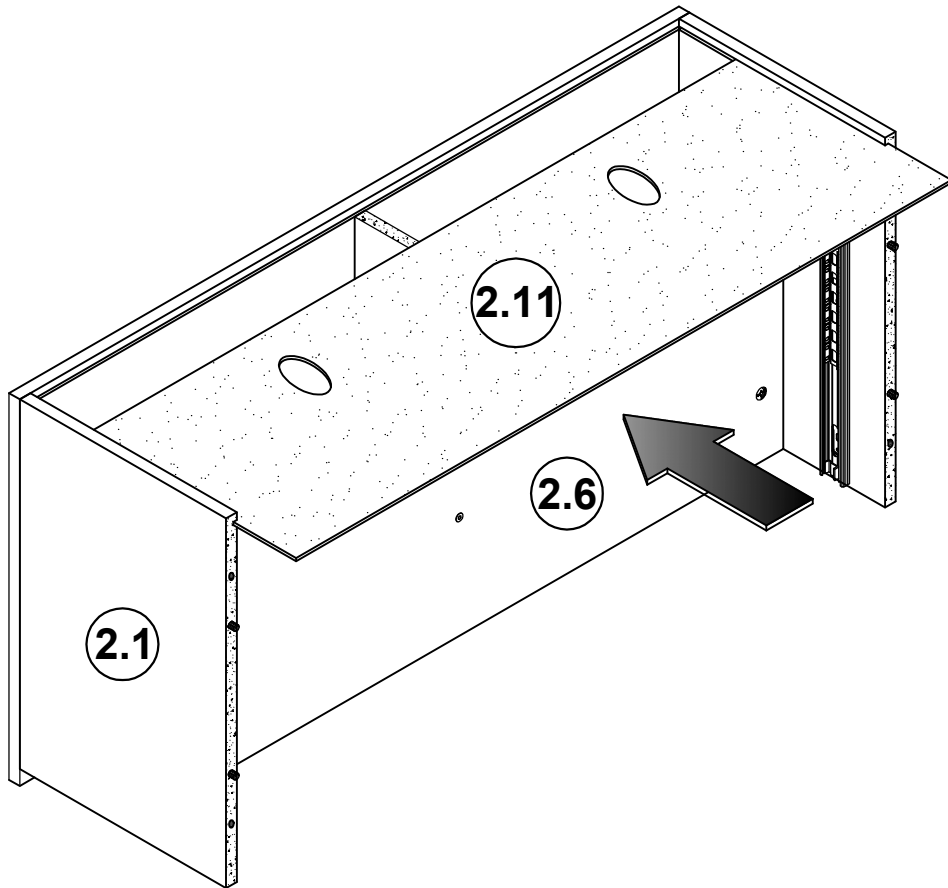
STEP
16



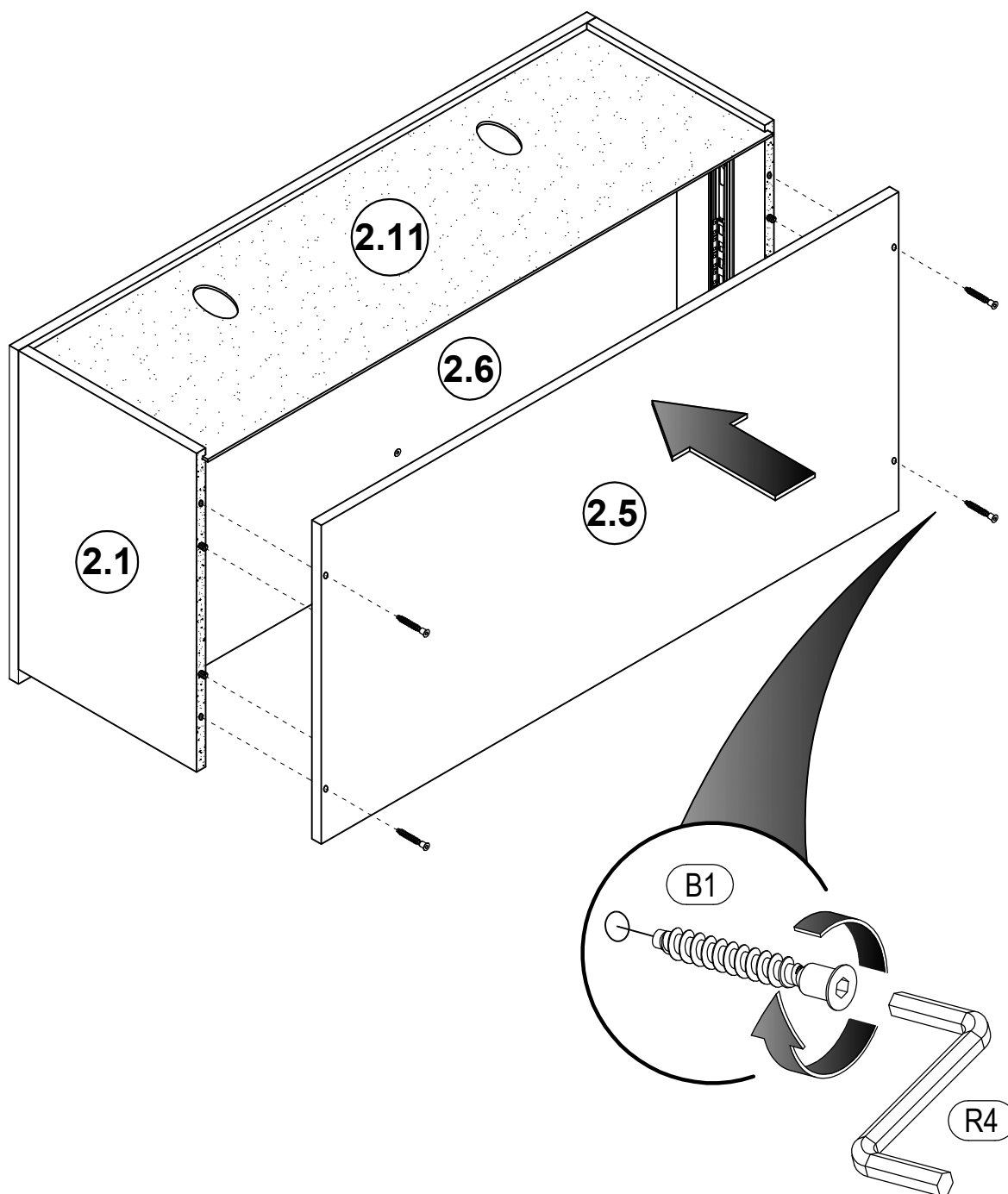
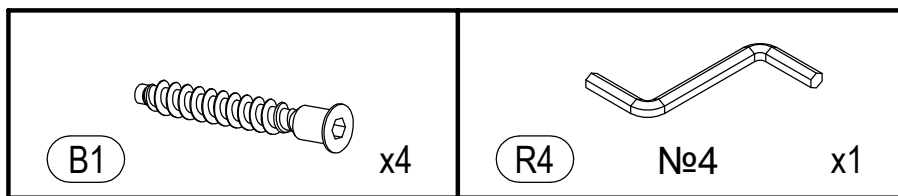
STEP
17



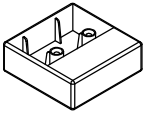

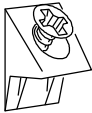
STEP
18

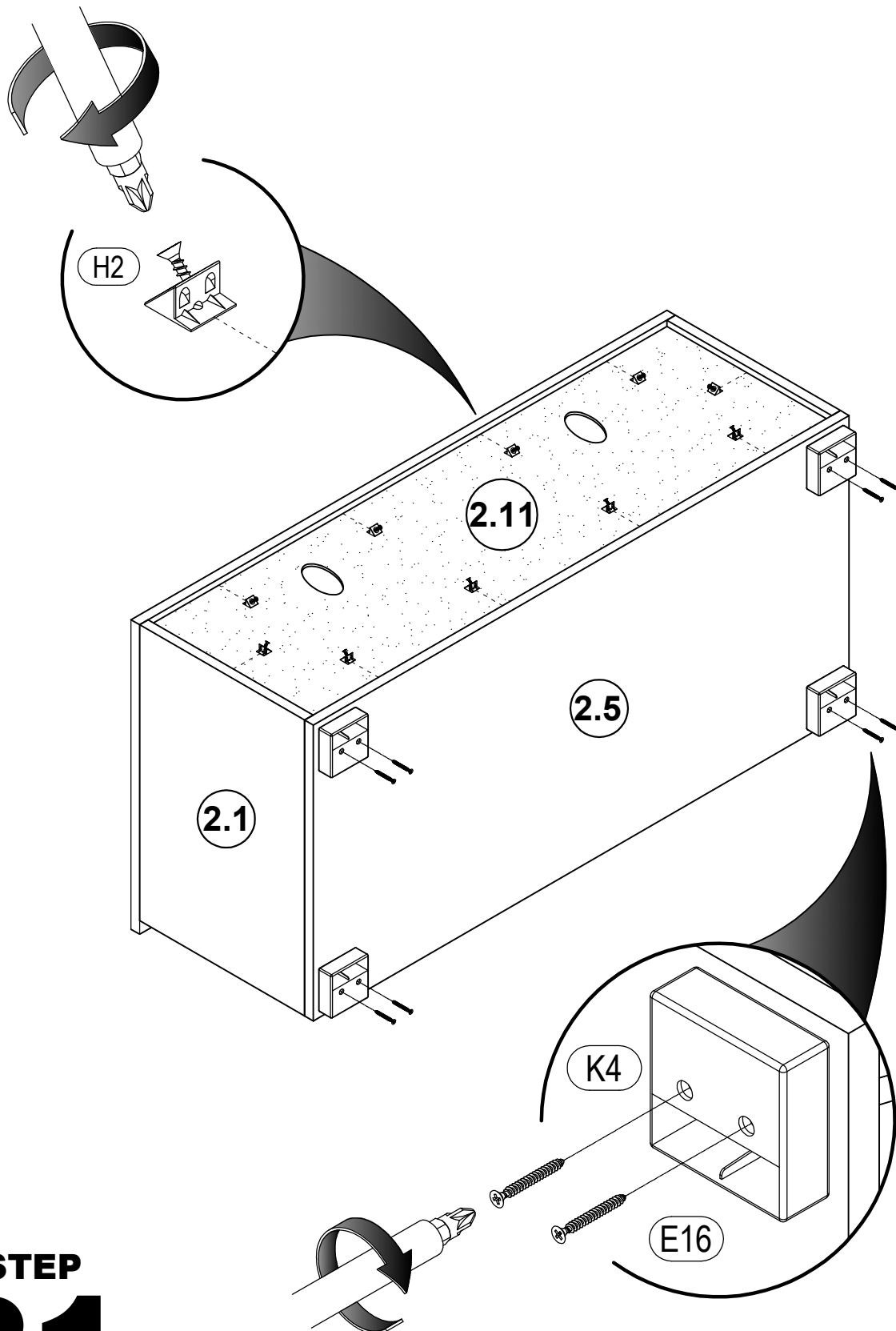


STEP
19

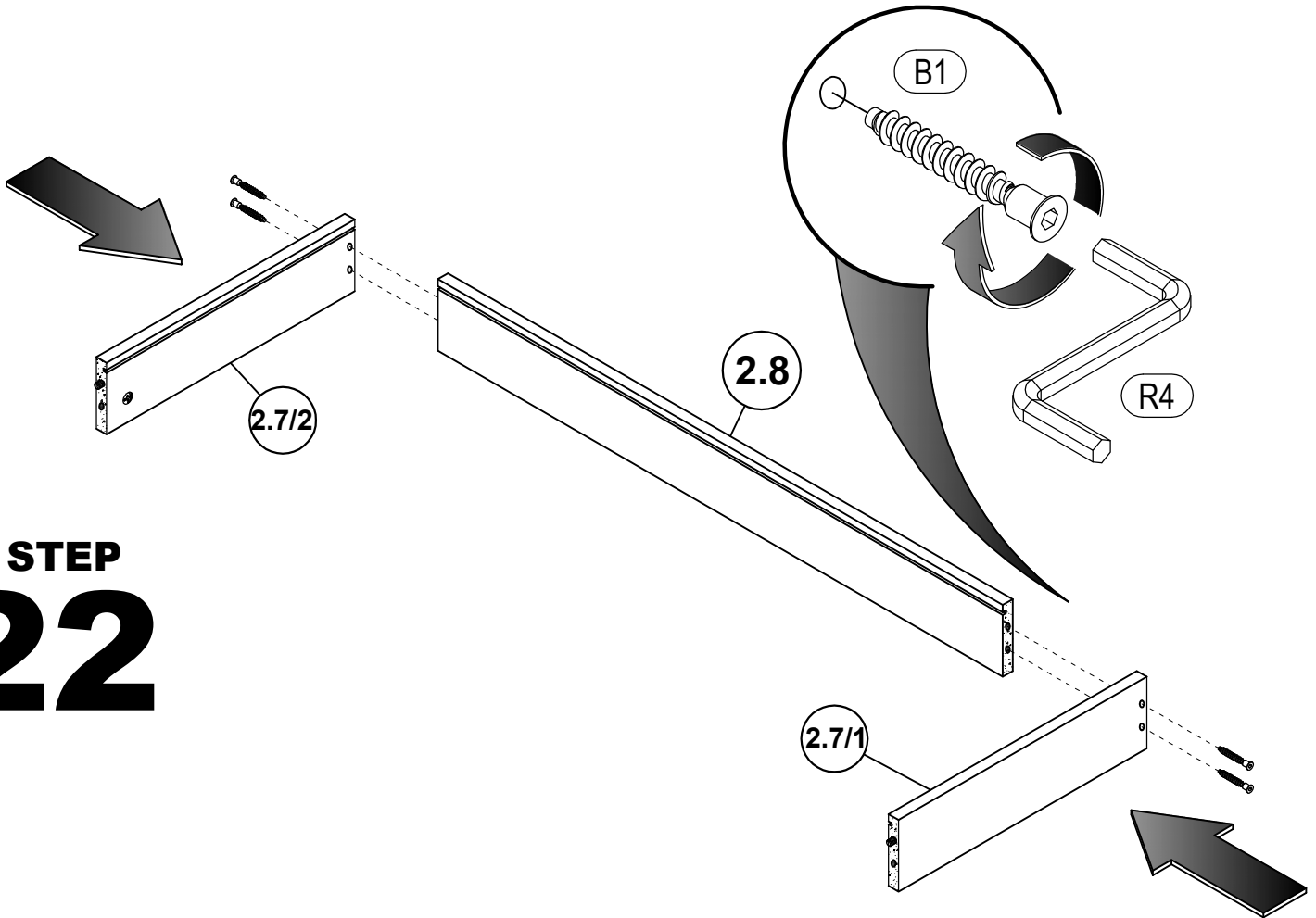
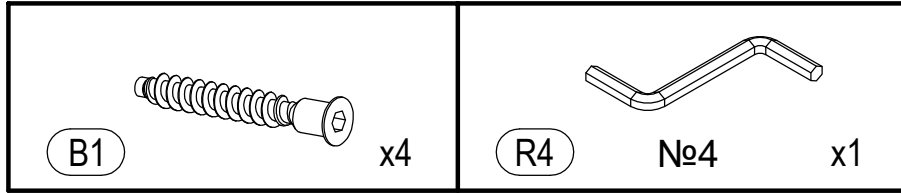


STEP
20

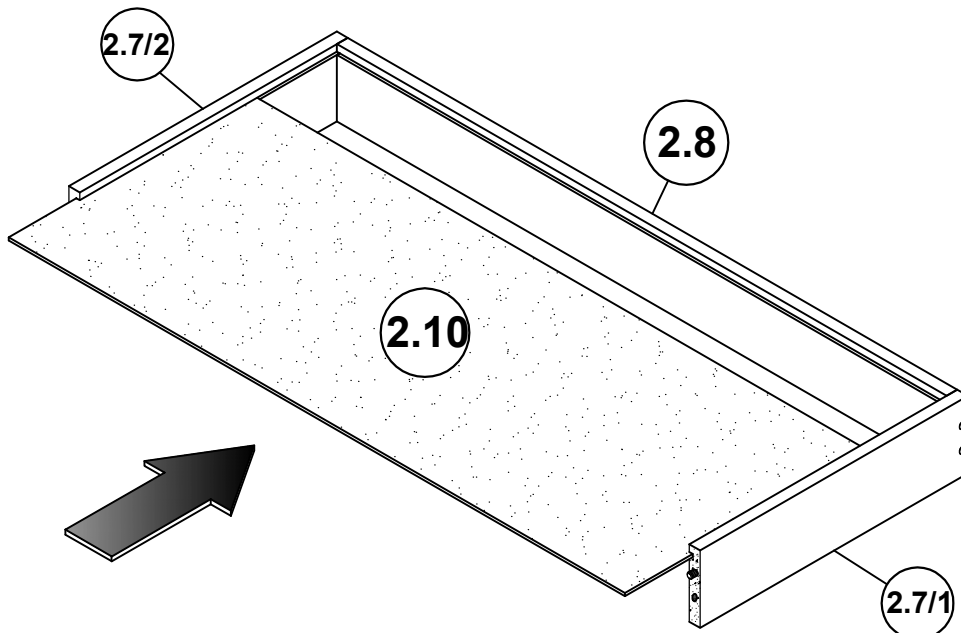
 <p>(K4) x4</p>	 <p>(E16) 0.15*1.37 in x8</p>	 <p>(H2) x10</p>
--	--	---



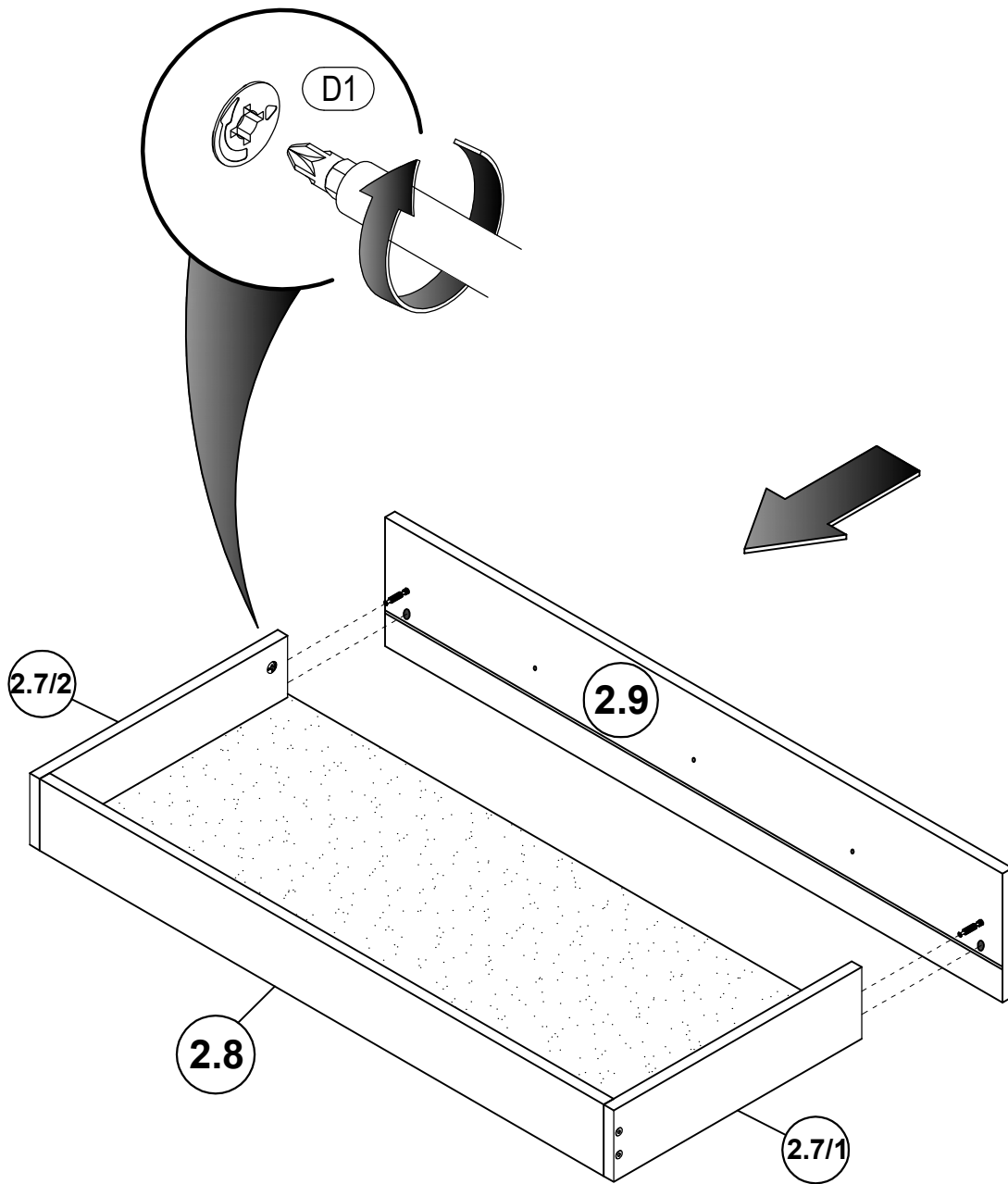
STEP
21



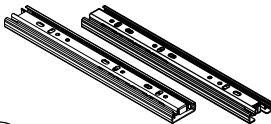
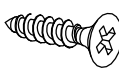



STEP
22

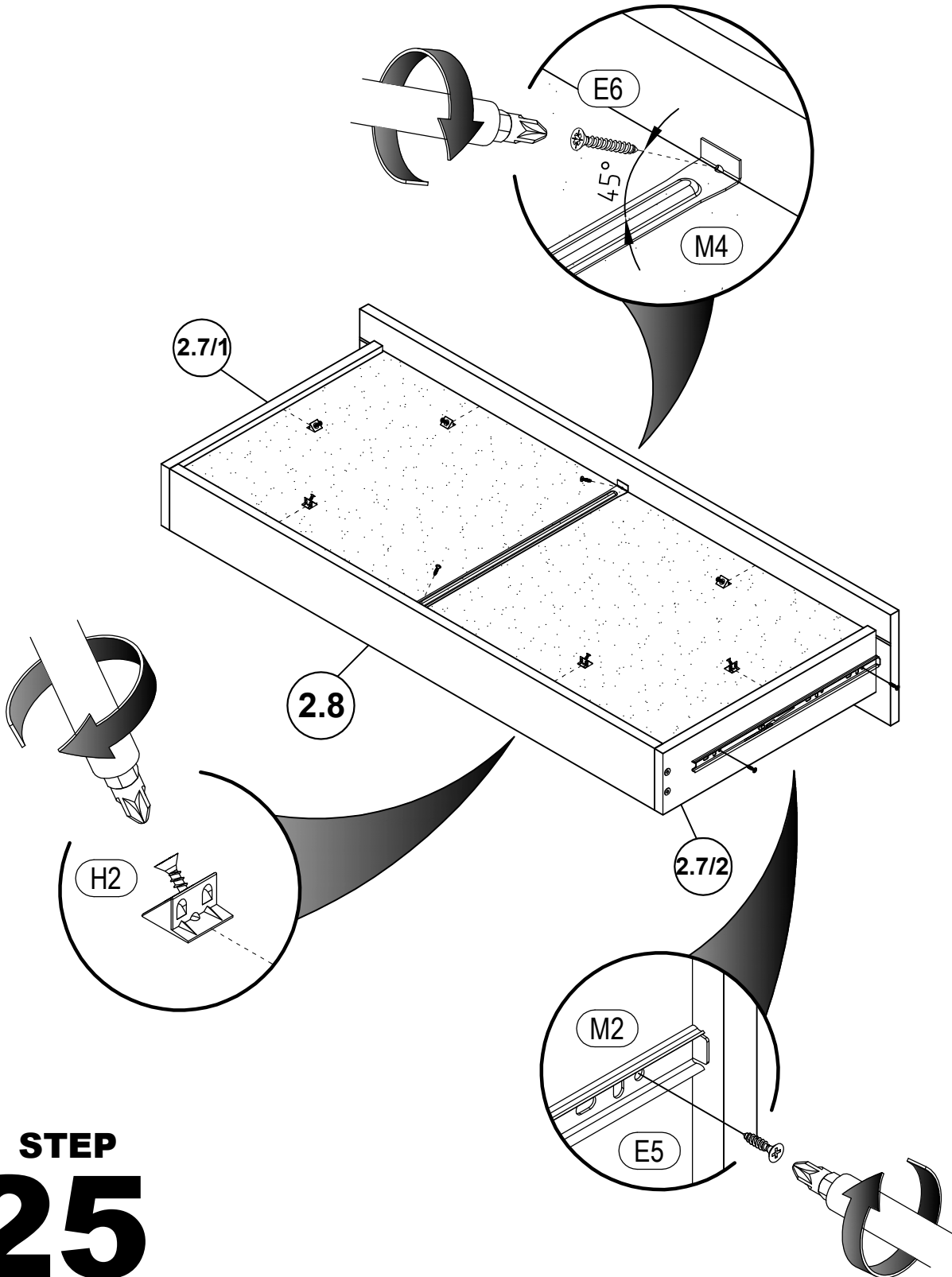


STEP
23

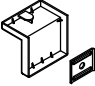
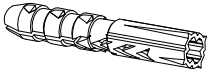
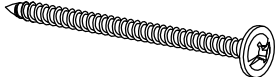


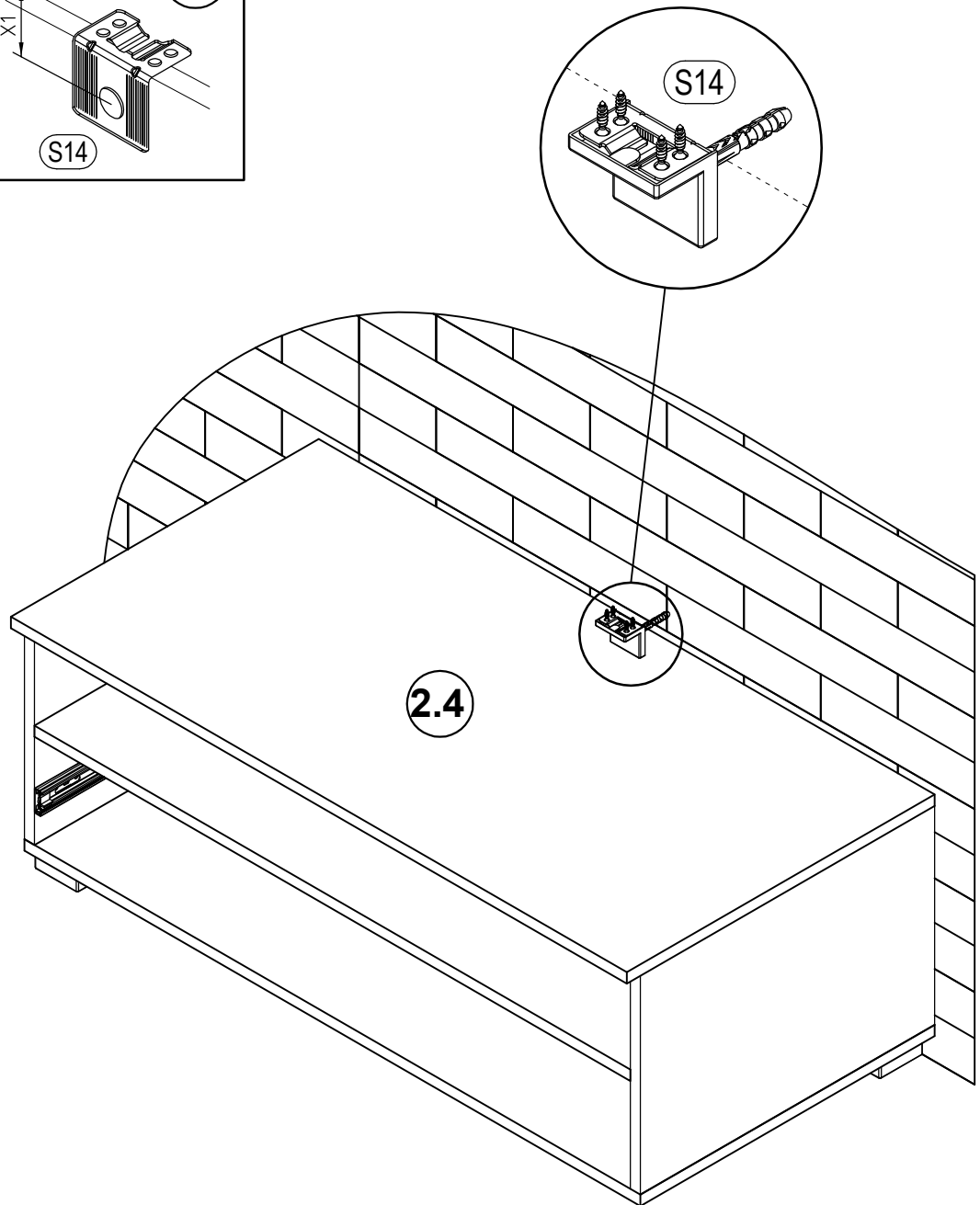
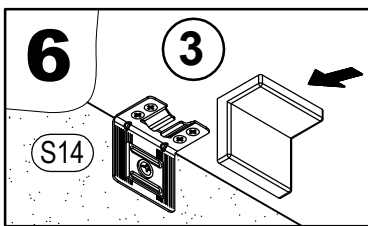
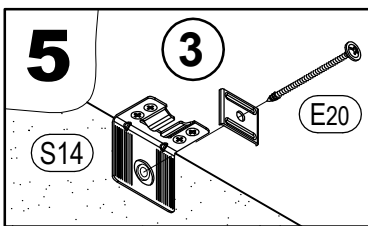
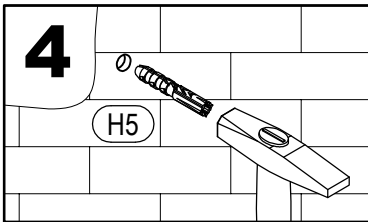
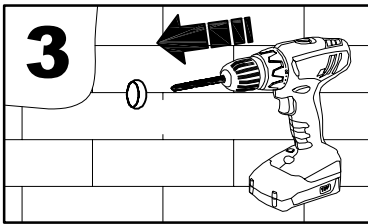
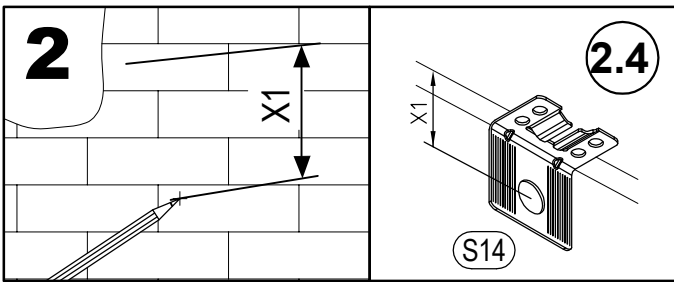
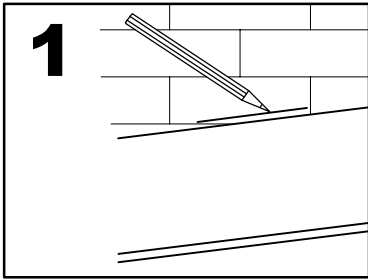
STEP
24

 <p>(M2) L- 15.75 in x1</p>	 <p>(E5) 0.13*0.62 in x4</p>	 <p>(H2) x6</p>
 <p>(M4) L-15.08 in x1</p>	 <p>(E6) 0.11*0.78 in x2</p>	





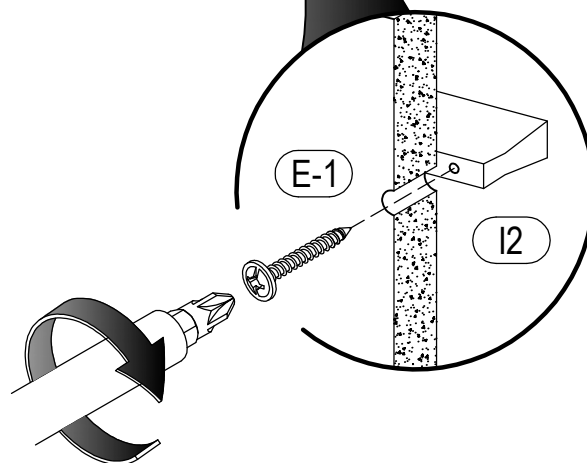
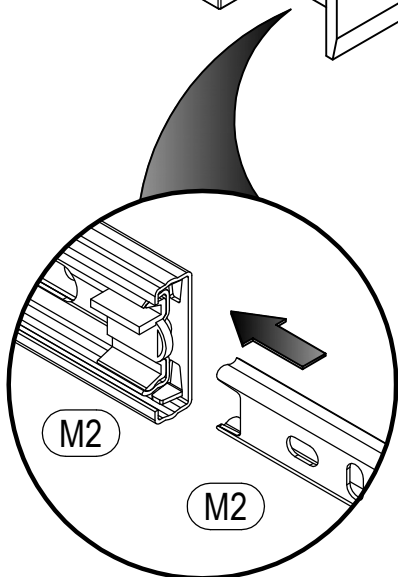
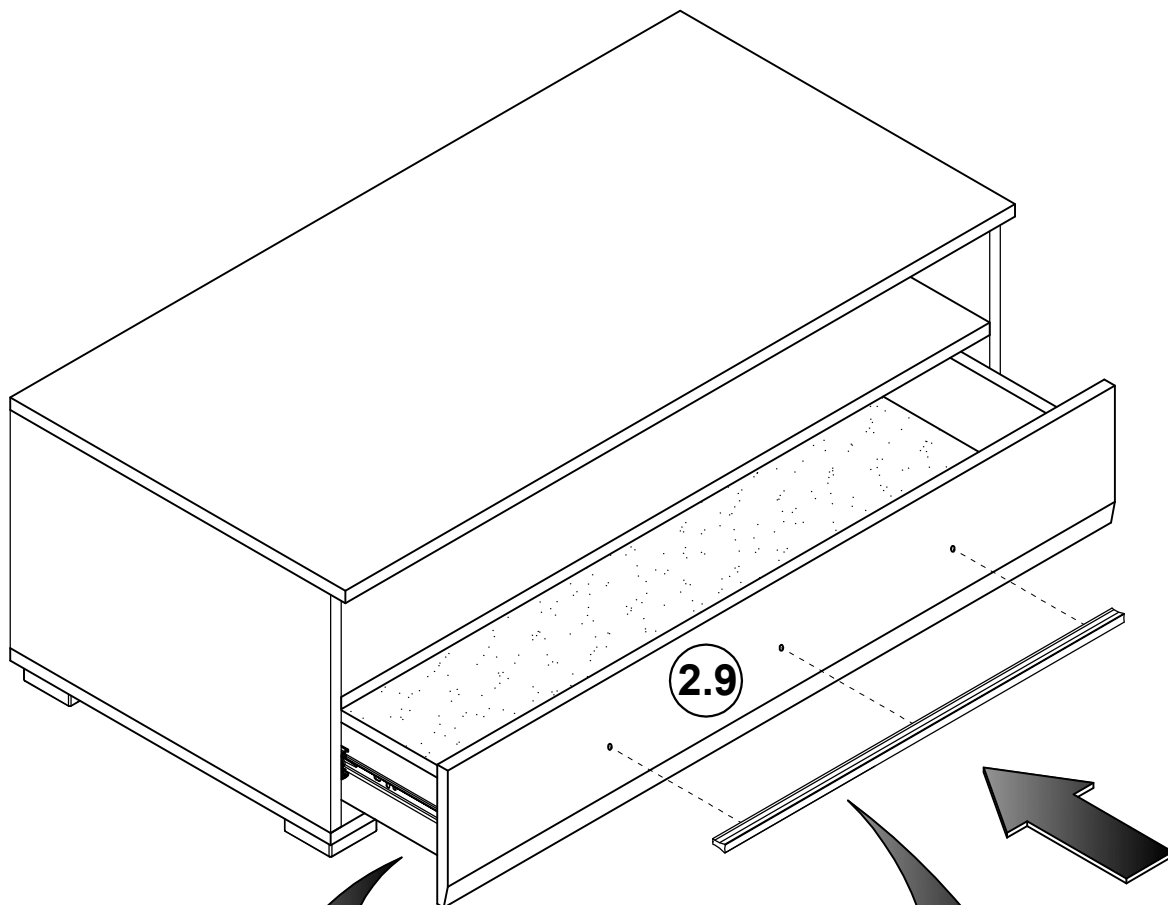
STEP
25

 <p>(S14) K-06 x1</p>	 <p>(H5) 0.31*1.96 in x1</p>	 <p>(E20) 0.16*2 in x1</p>
---	--	--



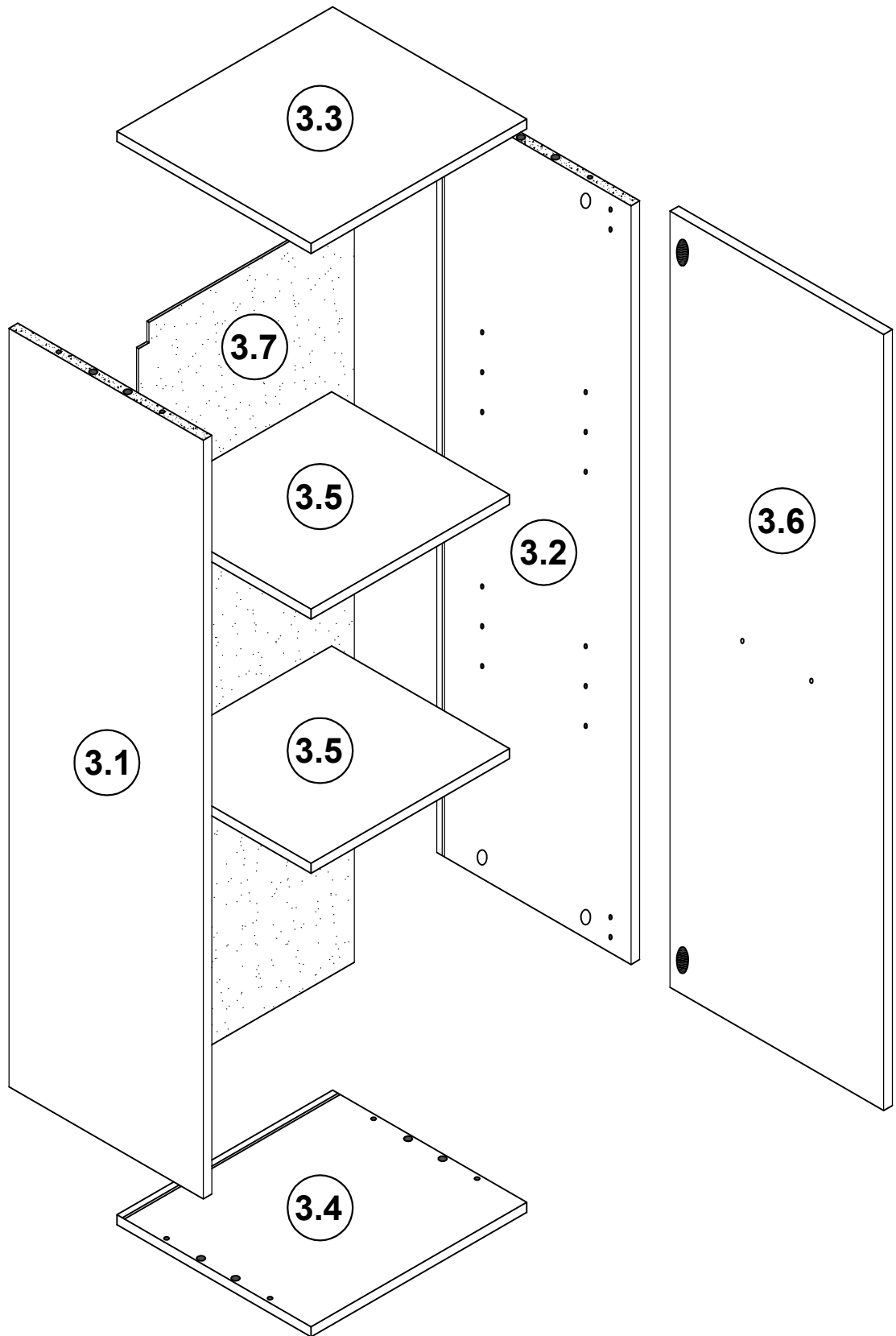
STEP
26

 (E-1) 0.13*1.06 in x3	 (I2) L-23.46 in x1
--	--

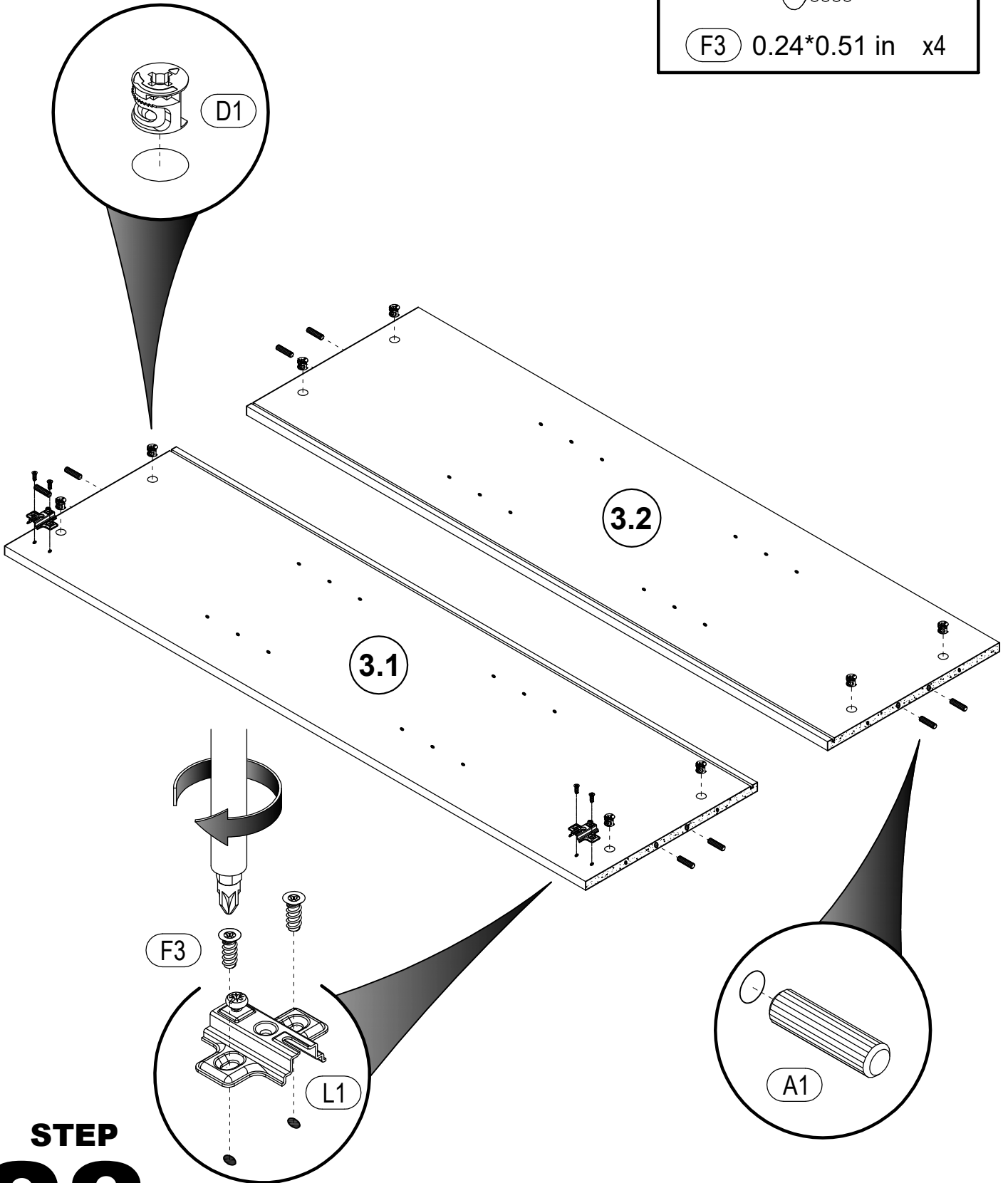


STEP
27

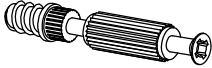
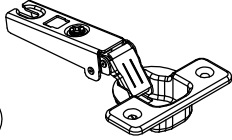

3

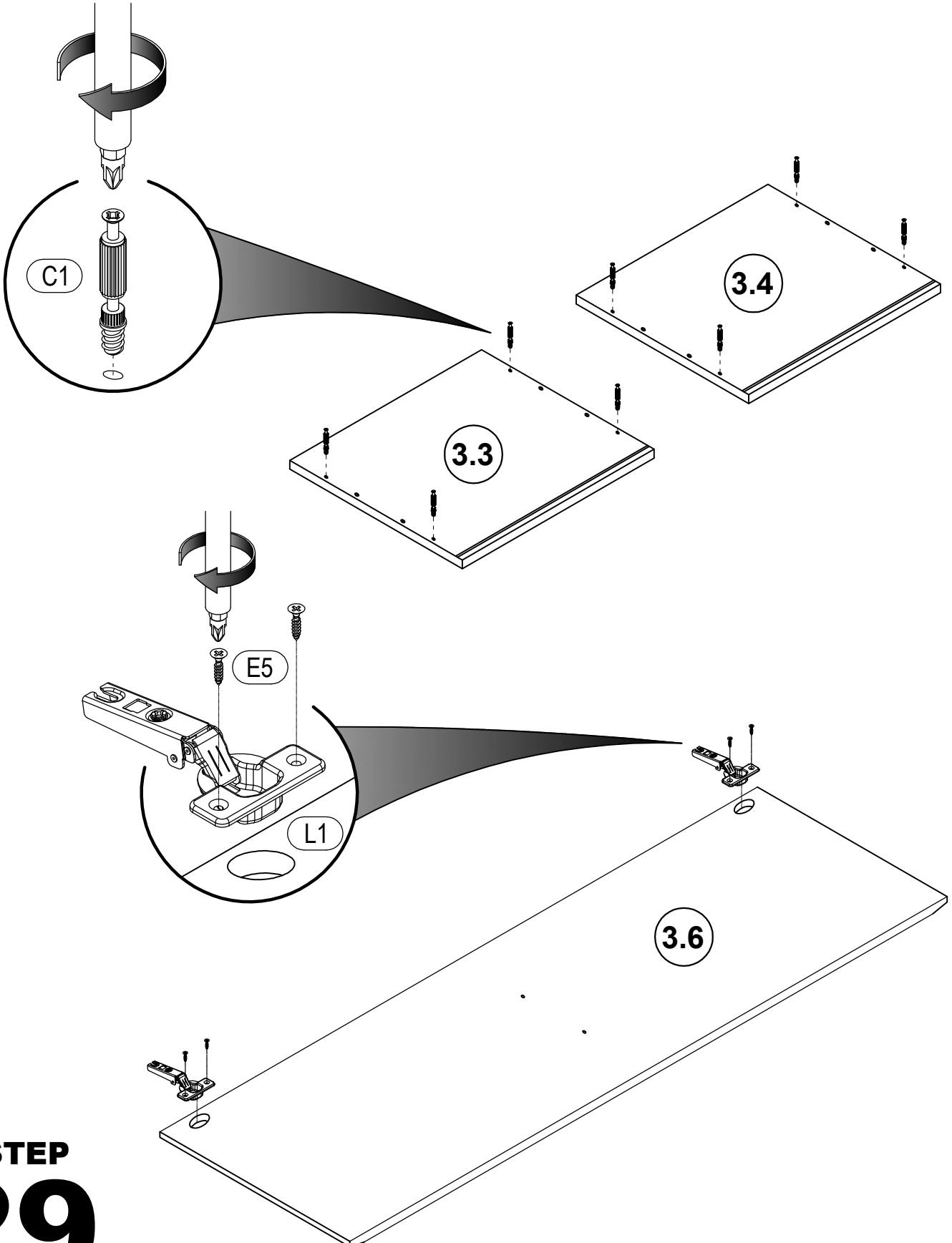


 <p>(A1) 0.31*1.18 in x8</p>	 <p>(D1) 0.59 in x8</p>	 <p>(L1) x2</p>
 <p>(F3) 0.24*0.51 in x4</p>		

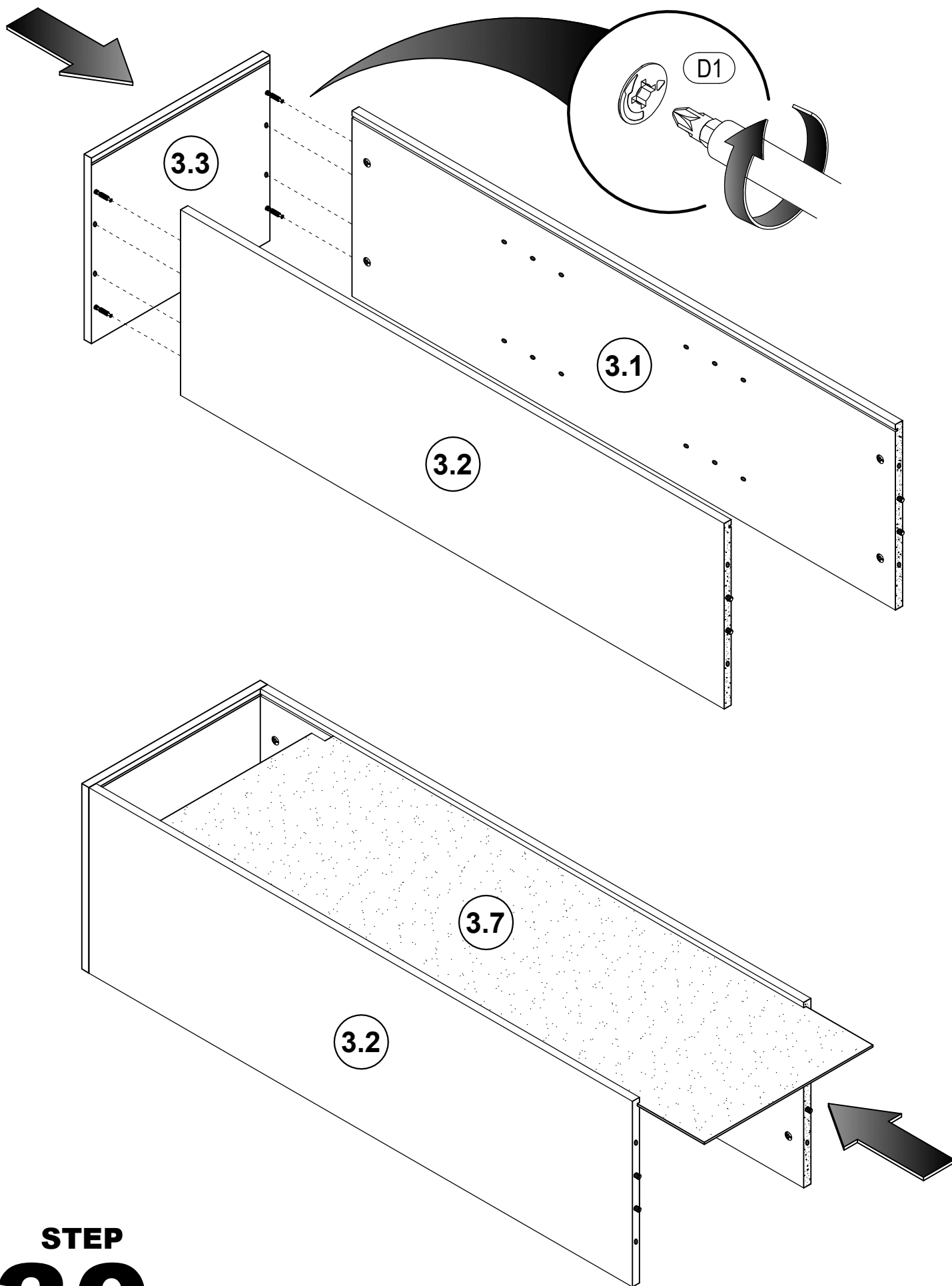


STEP
28

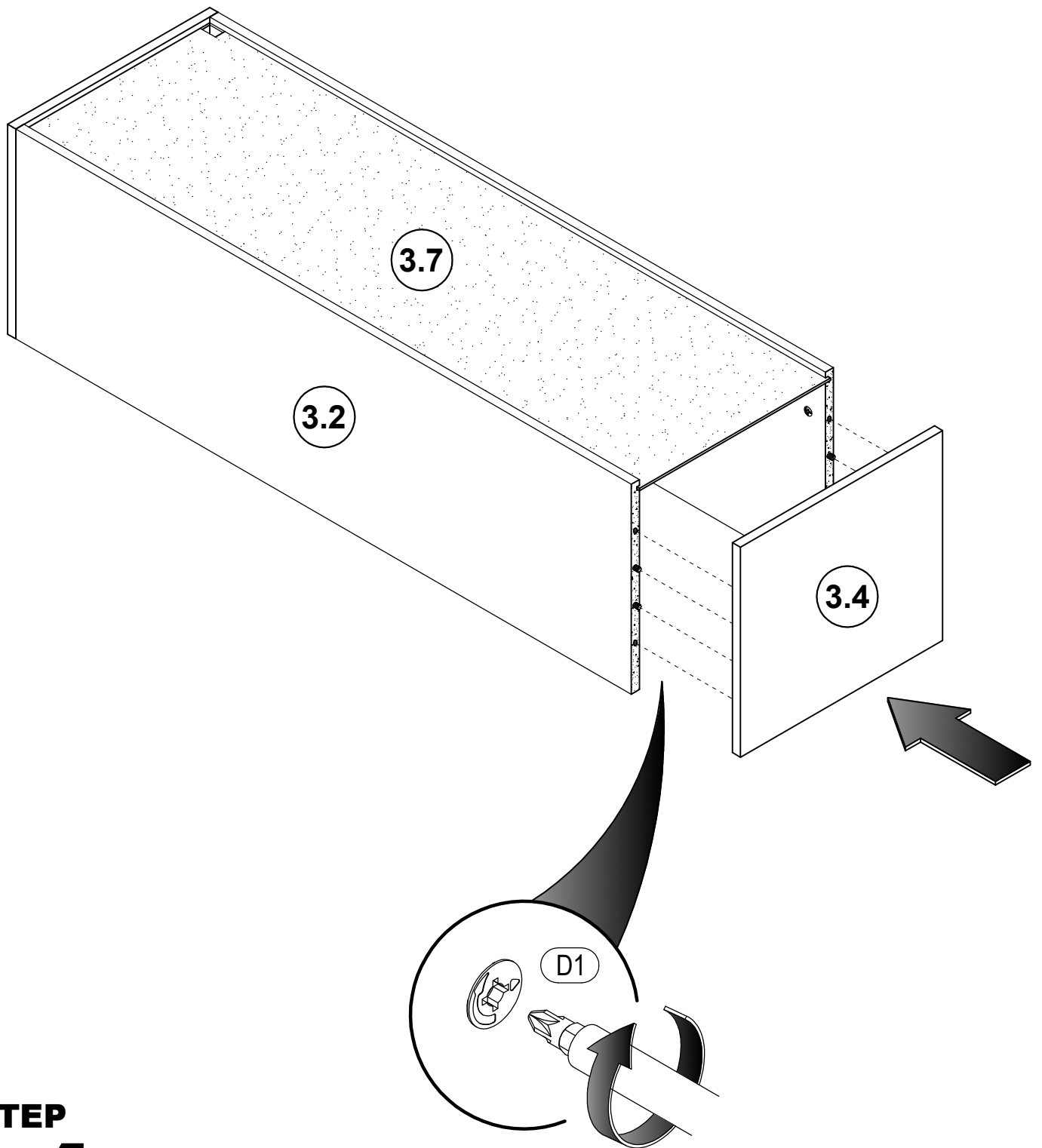
 <p>(C1) 0.23*1.69 in x8</p>	 <p>(L1) x2</p>	 <p>(E5) 0.13*0.62 in x4</p>
---	--	---



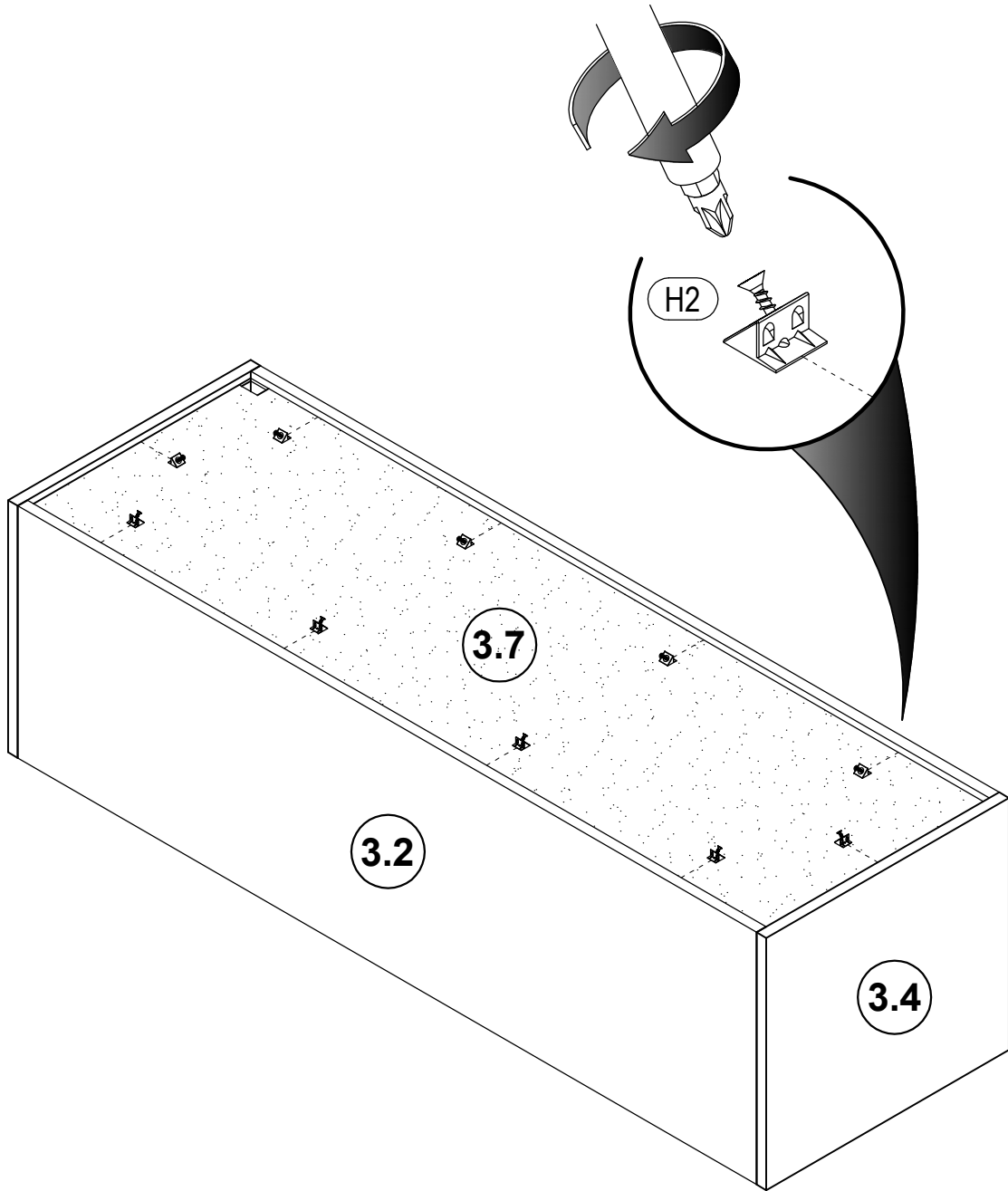
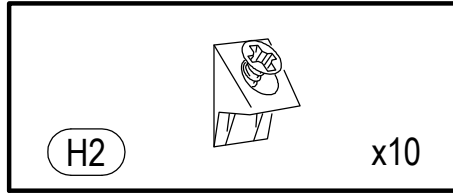
STEP
29



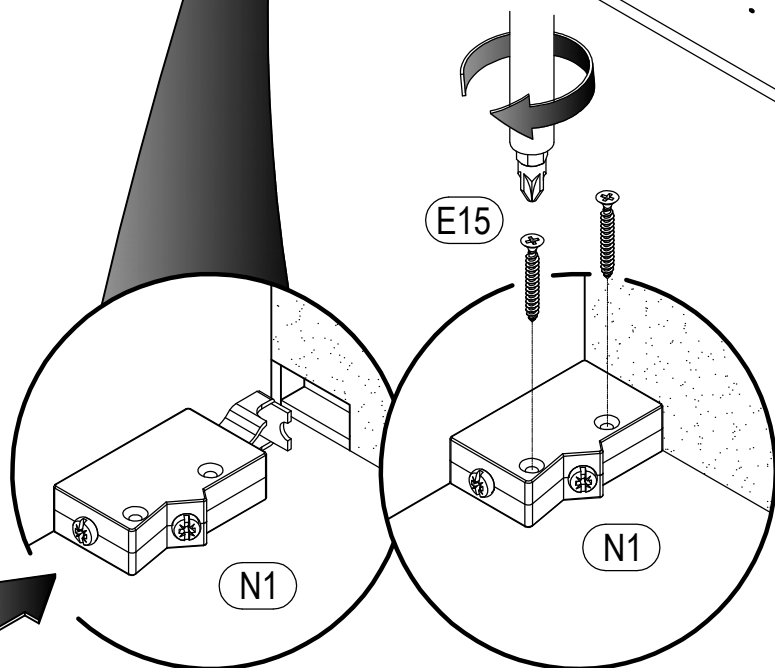
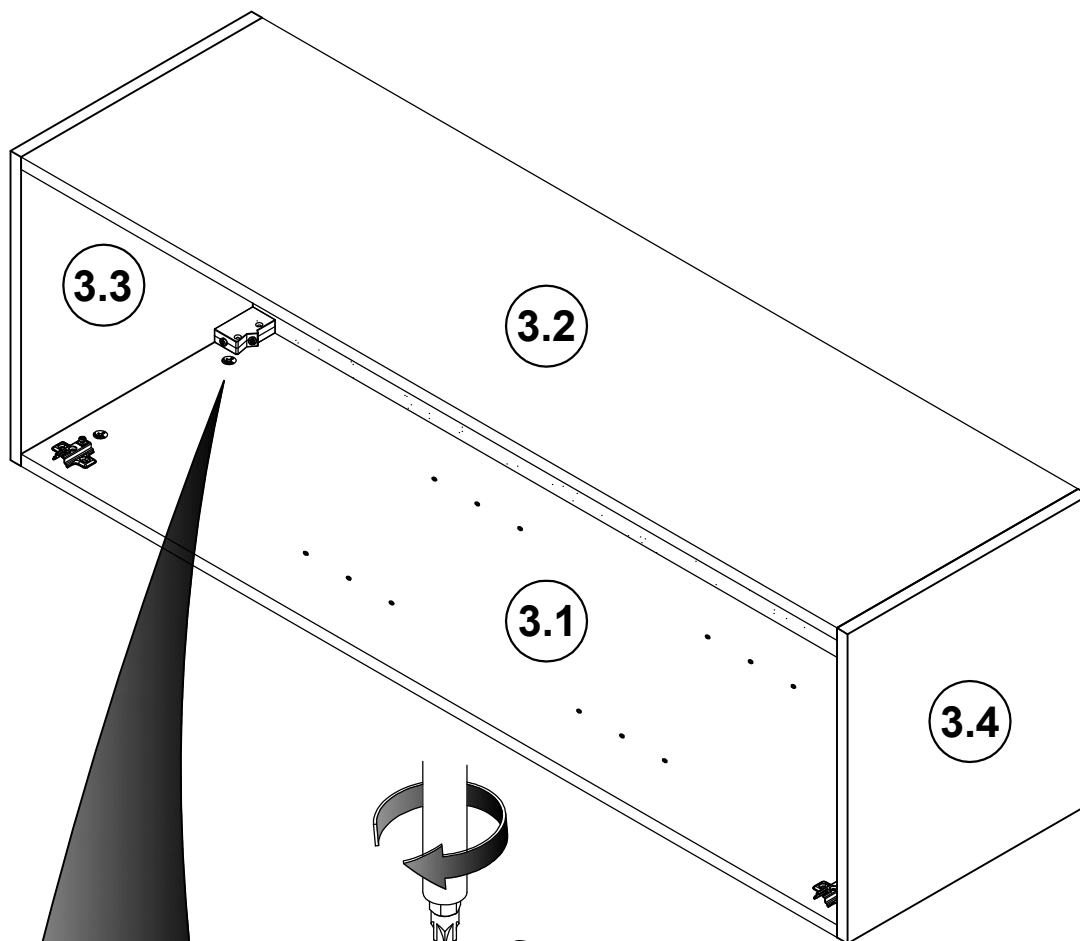
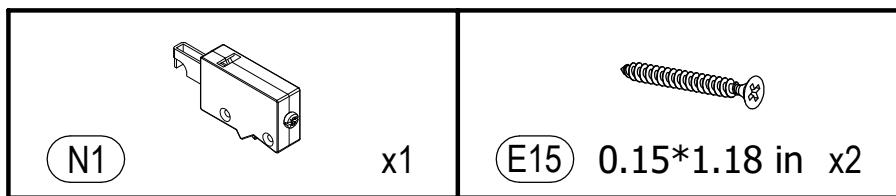
STEP
30



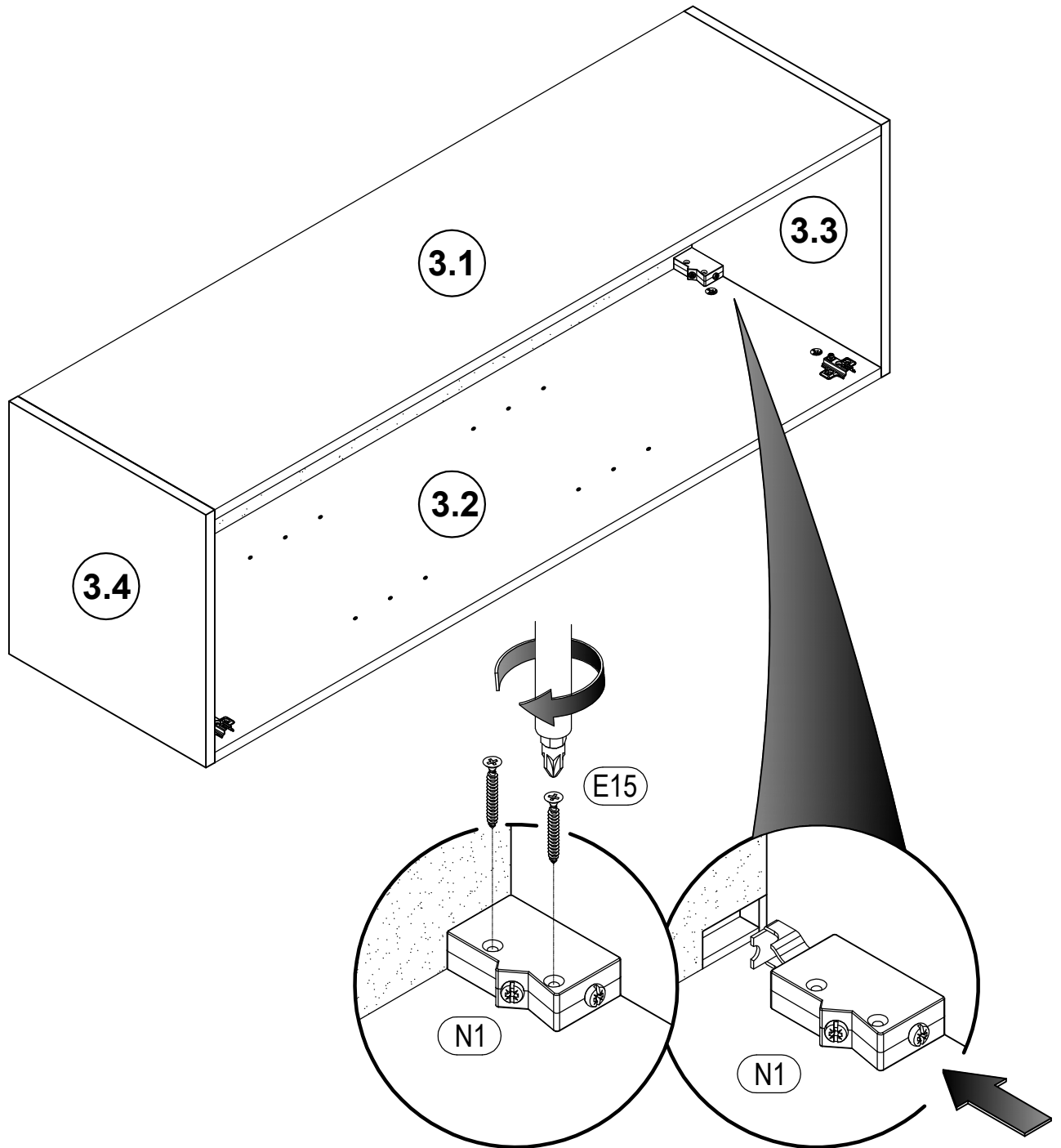
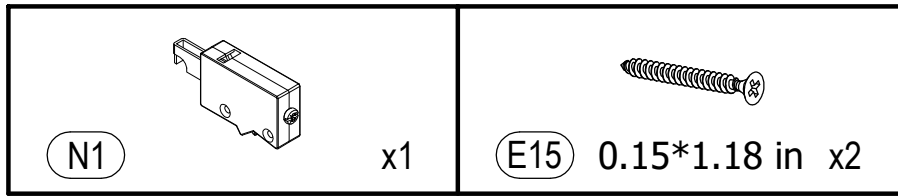
STEP
31



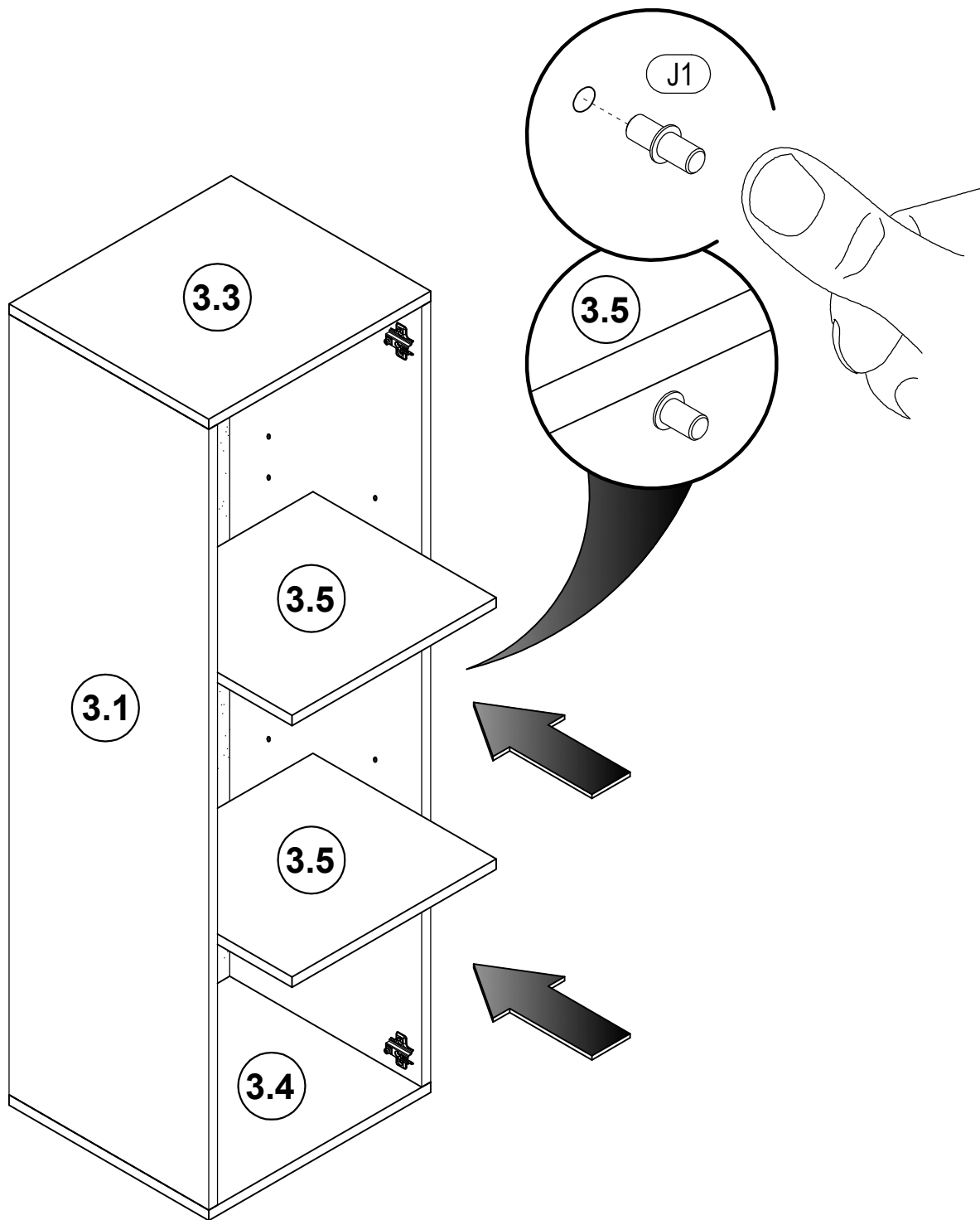
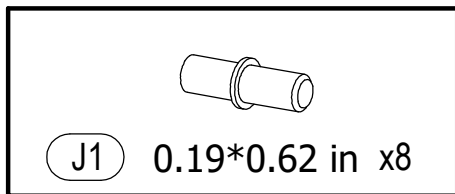
STEP
32






STEP
33

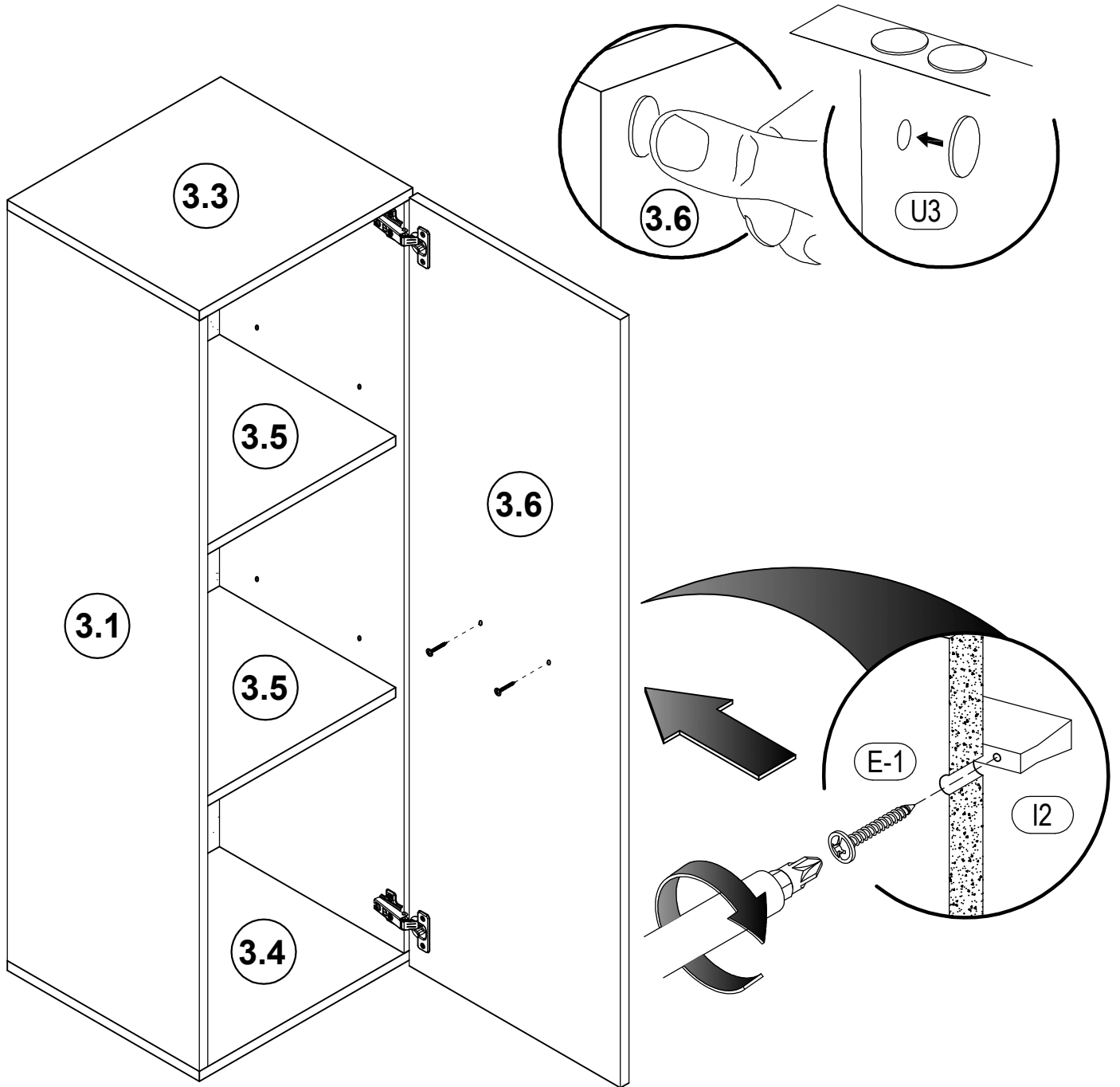


STEP
34

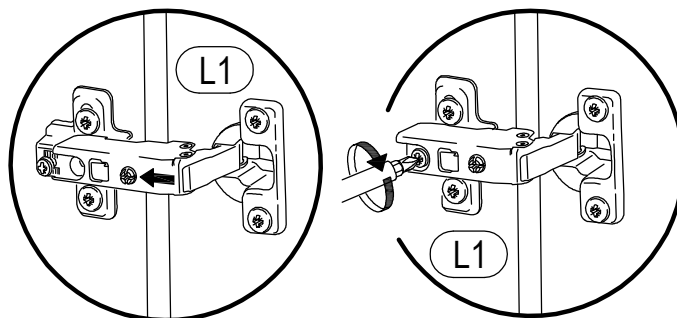


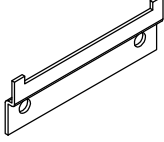
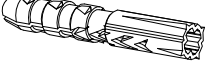
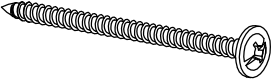
STEP
35

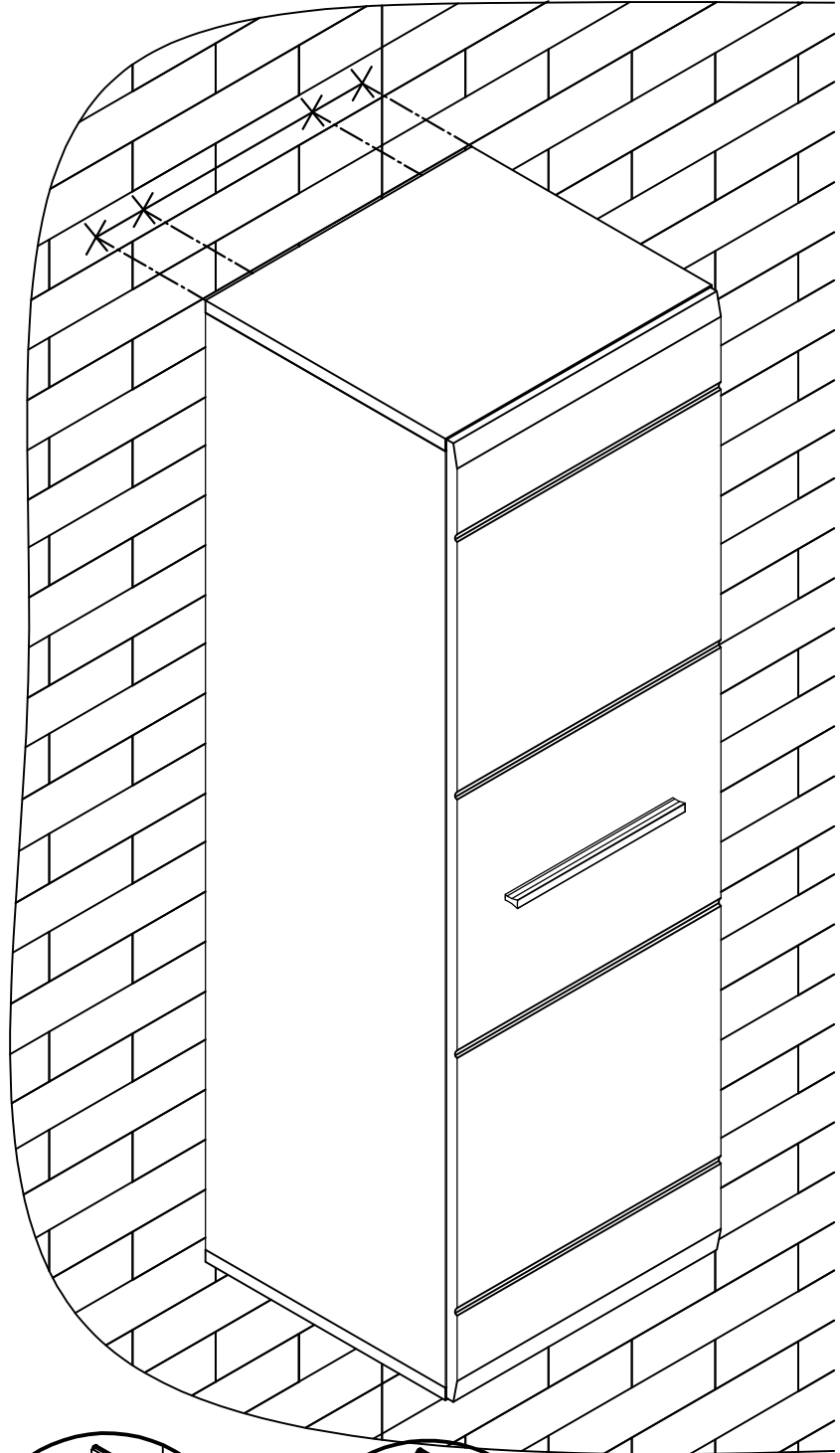
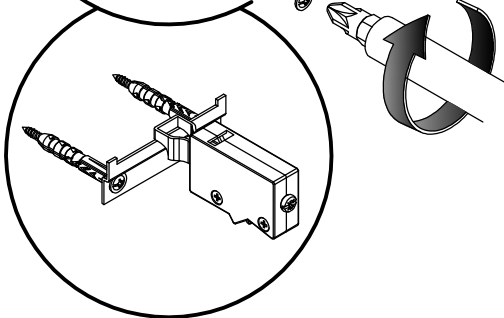
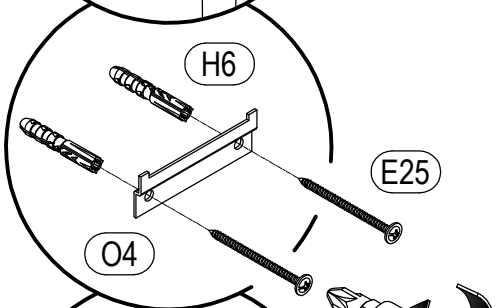
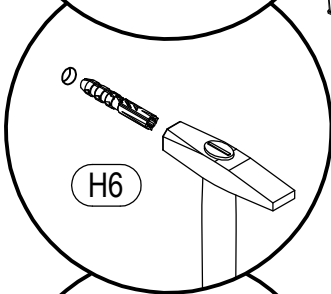
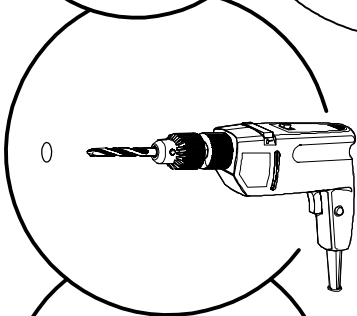
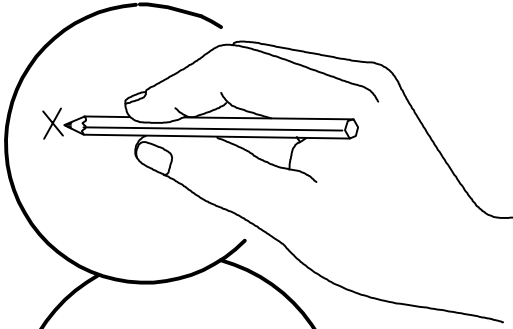
 (E-1) 0.13*1.06 in x2	 (L2) L-9.92 in x1	 (U3) x2
--	--	--



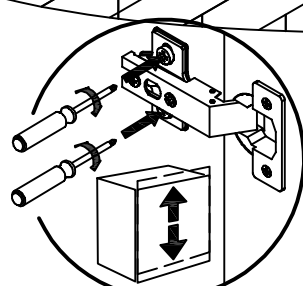
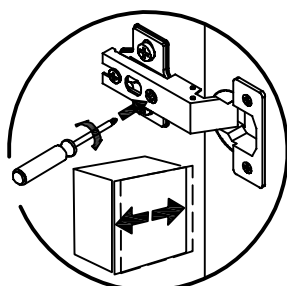
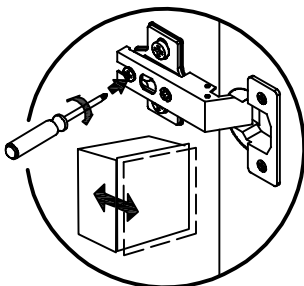
STEP
36



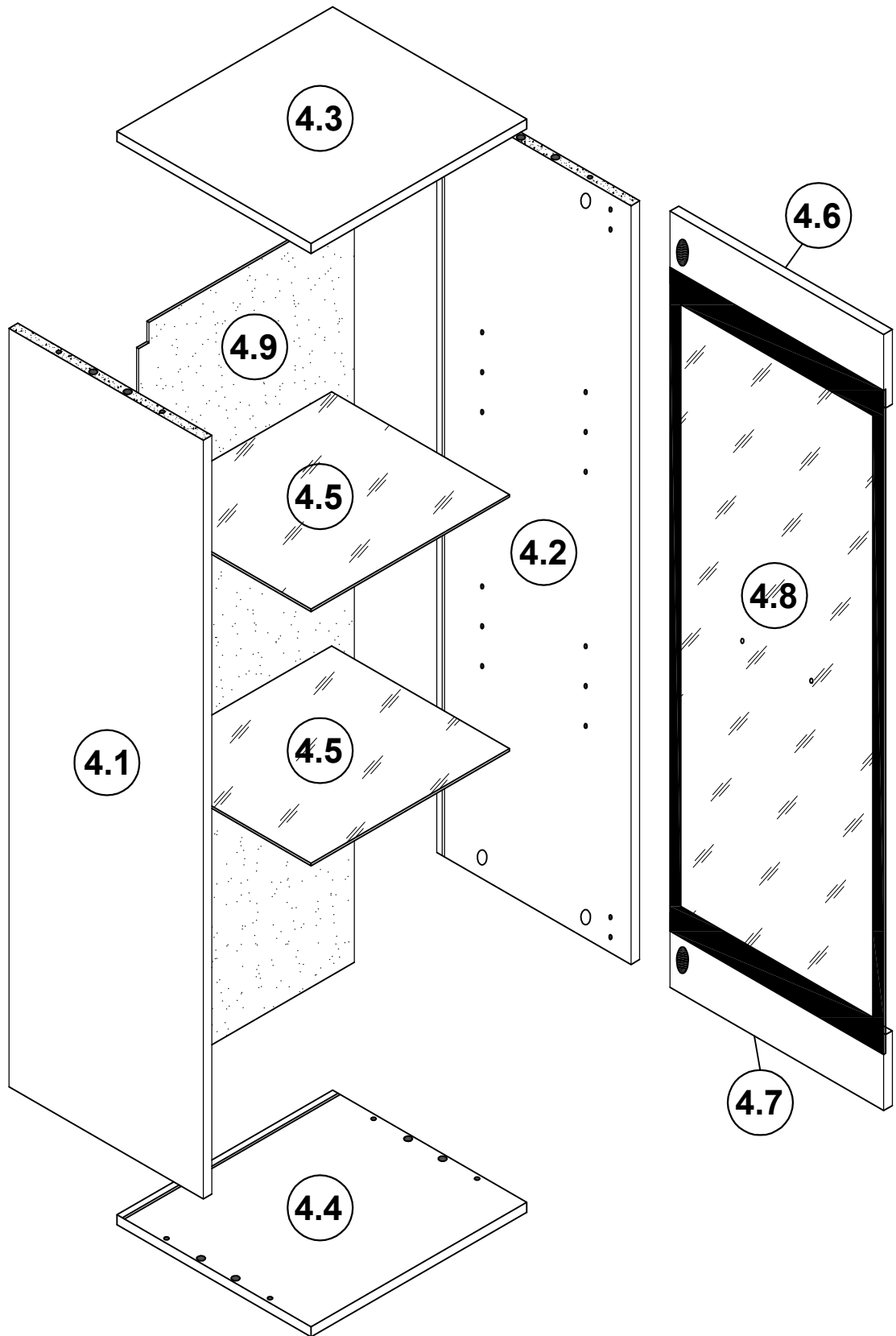
 <p>(O4) x2</p>	 <p>(H6) 0.39*1.96 in x4</p>	 <p>(E25) 0.23*2.36 in x4</p>
--	---	--

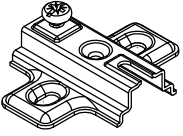


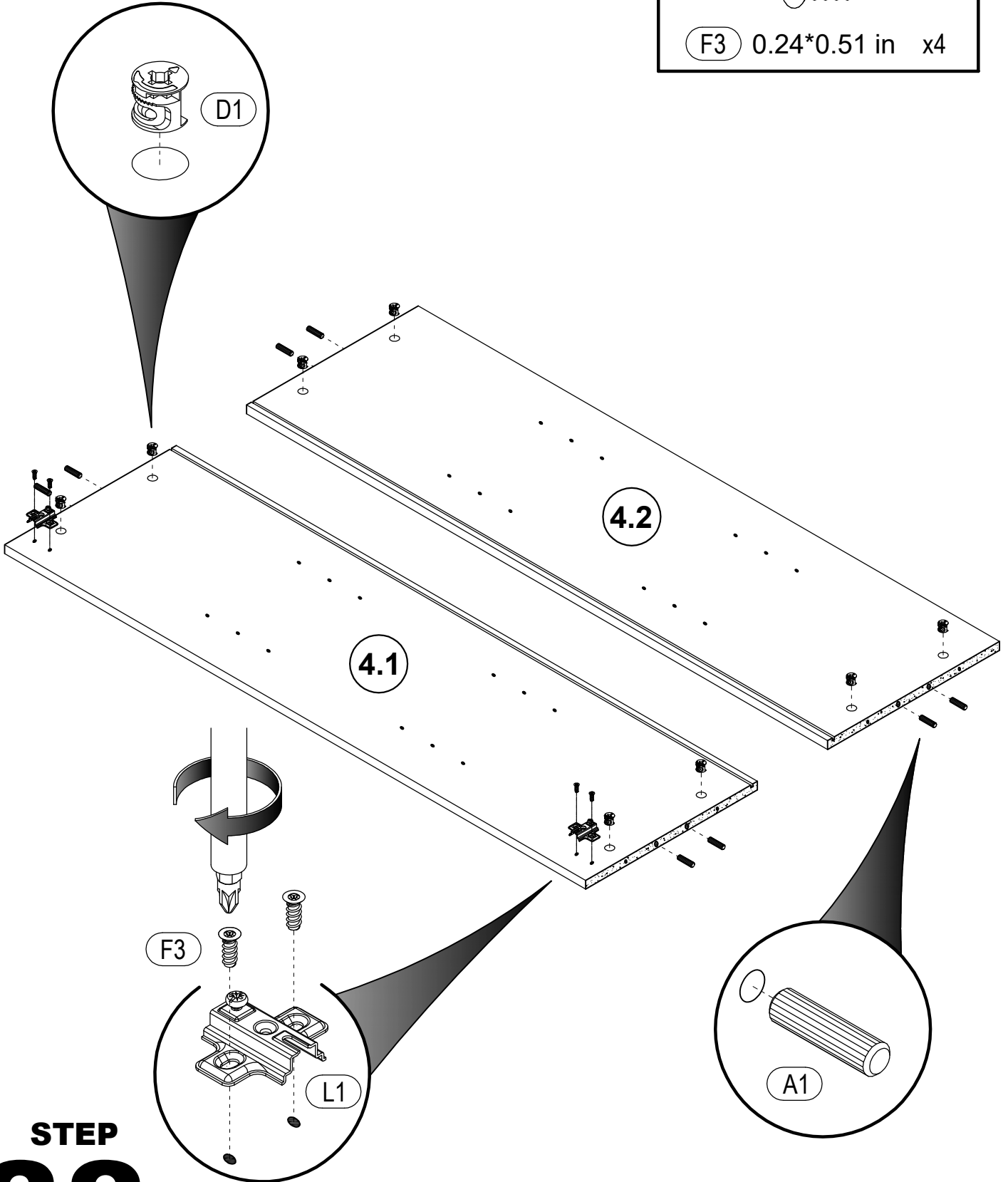
STEP
37



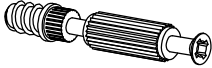
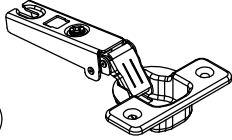

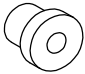

4

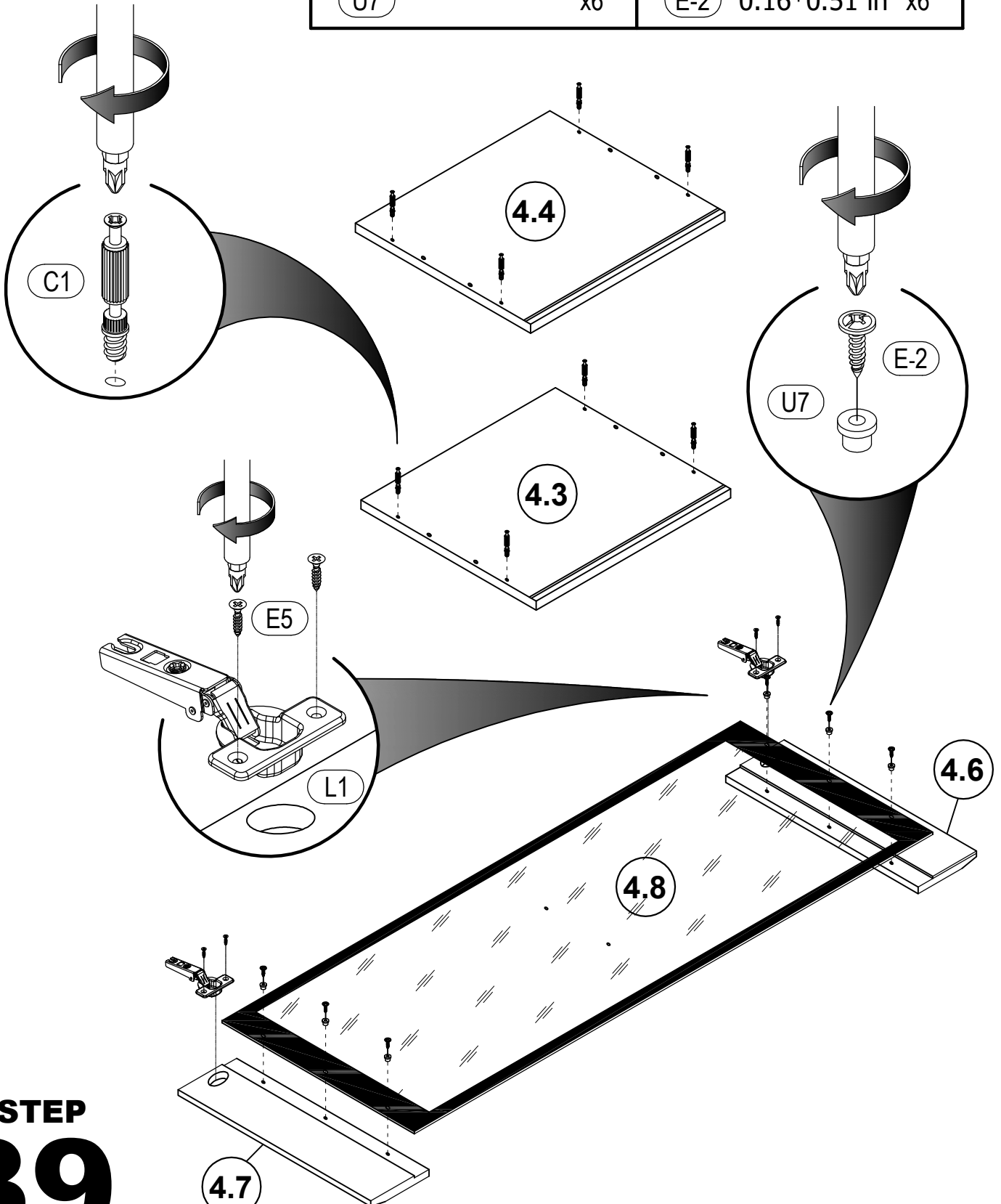


 A1 0.31*1.18 in x8	 D1 0.59 in x8	 L1 x2
		 F3 0.24*0.51 in x4

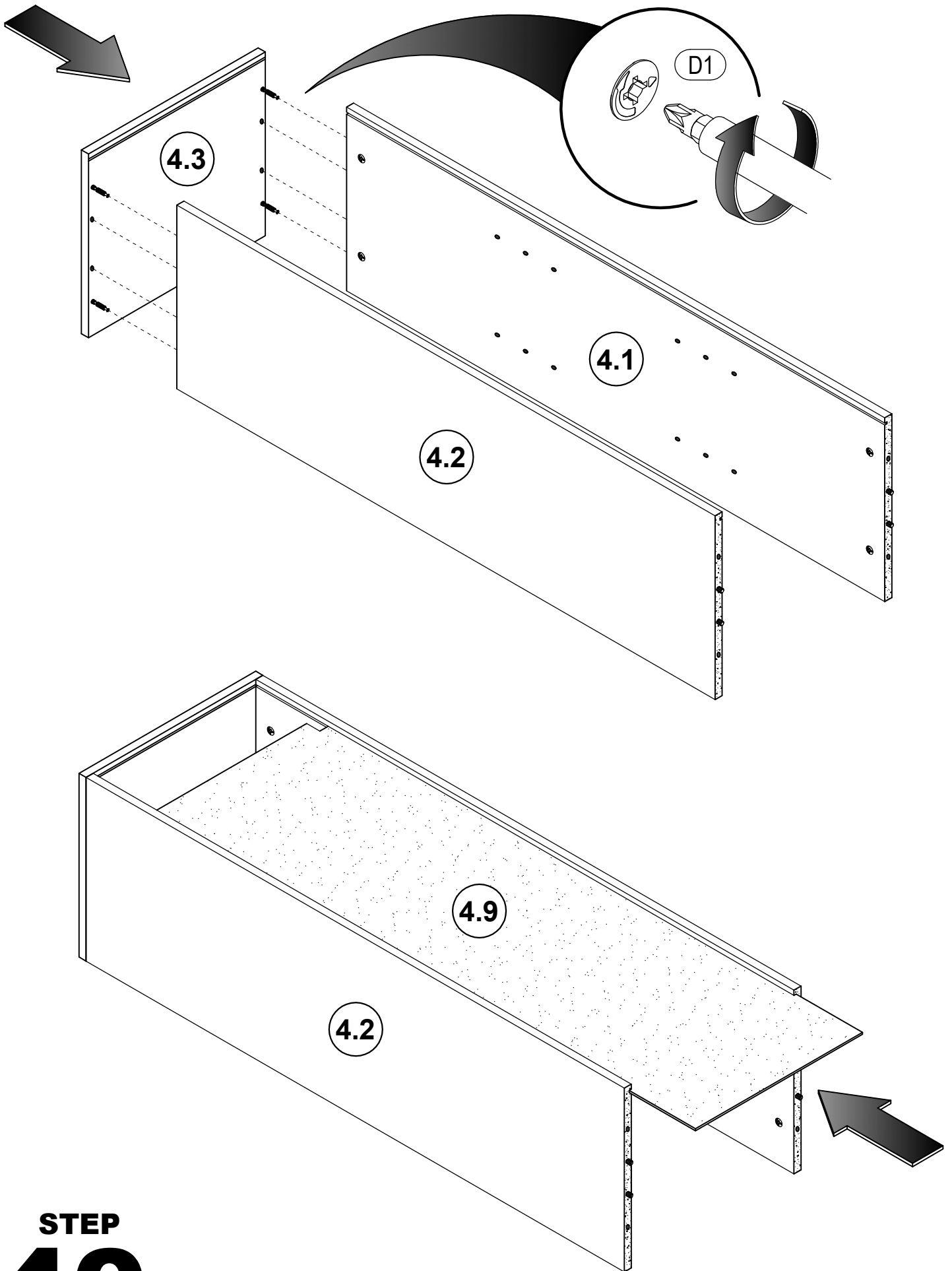


STEP
38

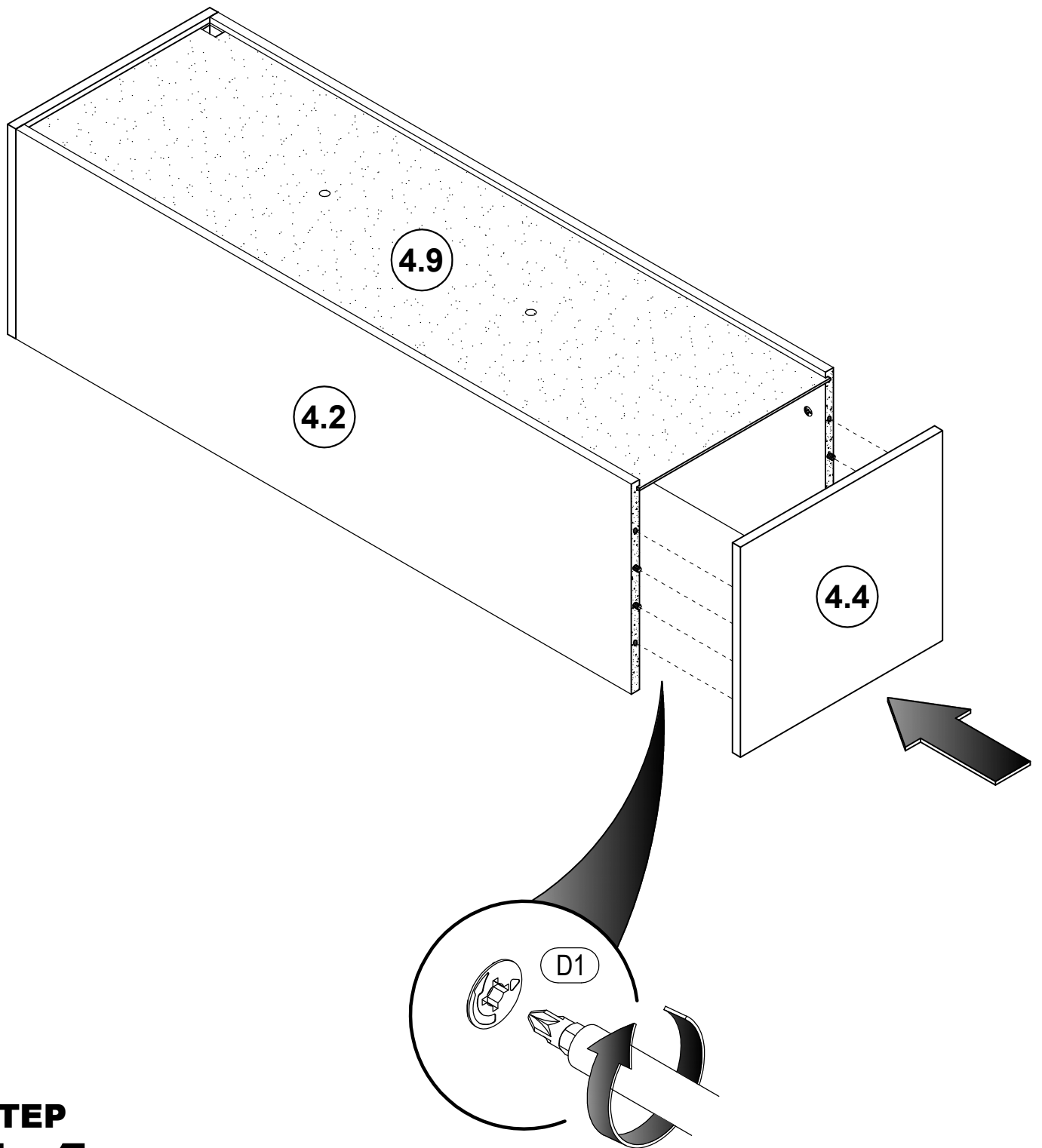
 (C1) 0.23*1.69 in x8	 (L1) x2	 (E5) 0.13*0.62 in x4
	 (U7) x6	 (E-2) 0.16*0.51 in x6



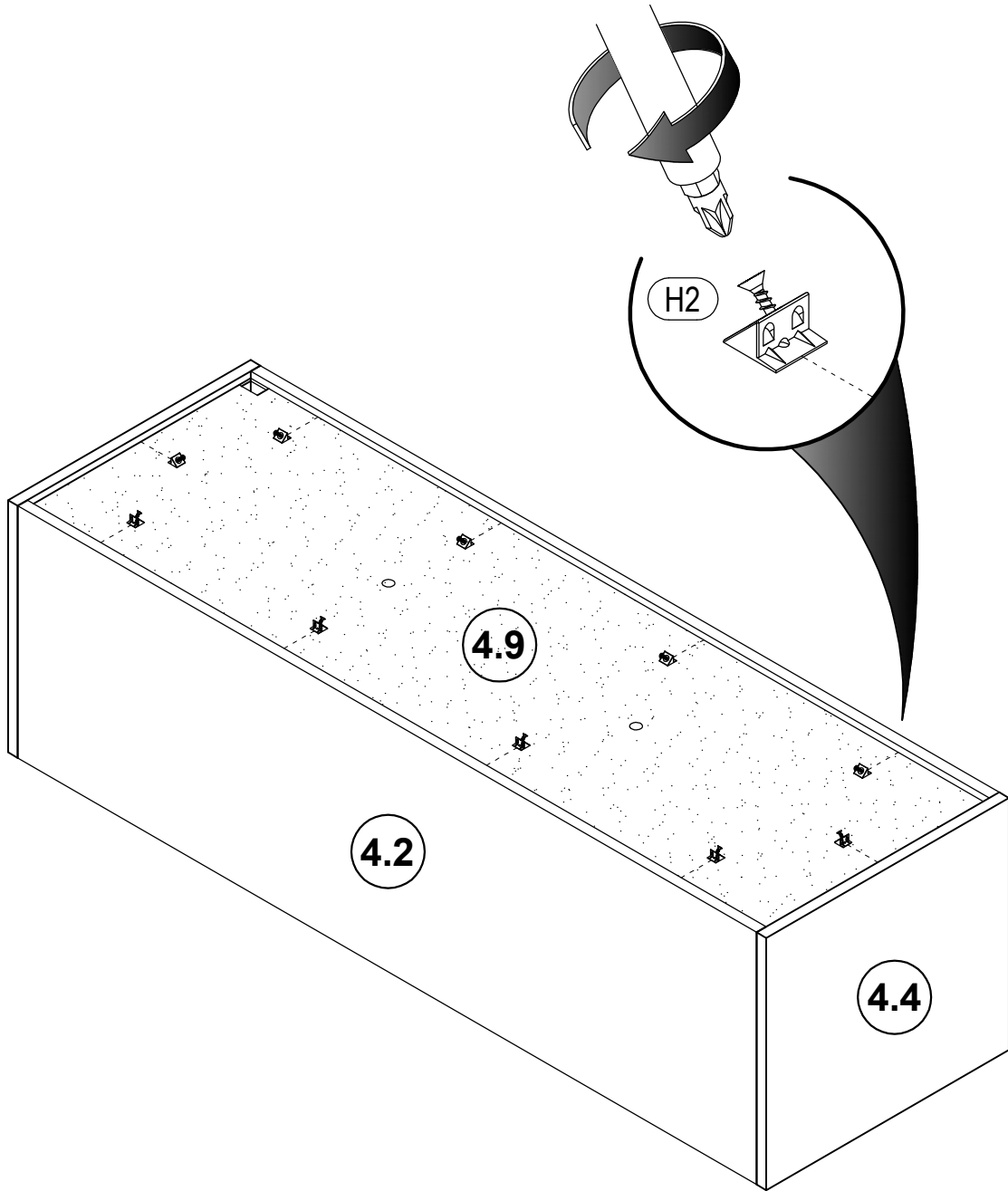
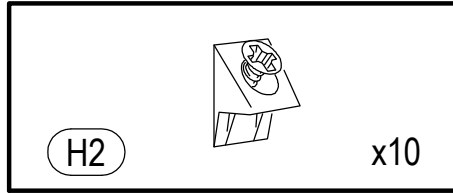
STEP
39



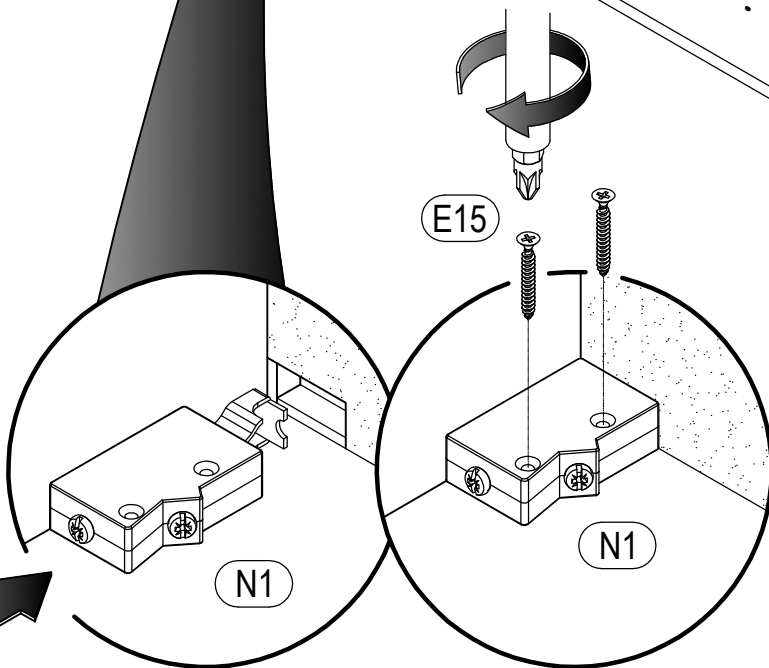
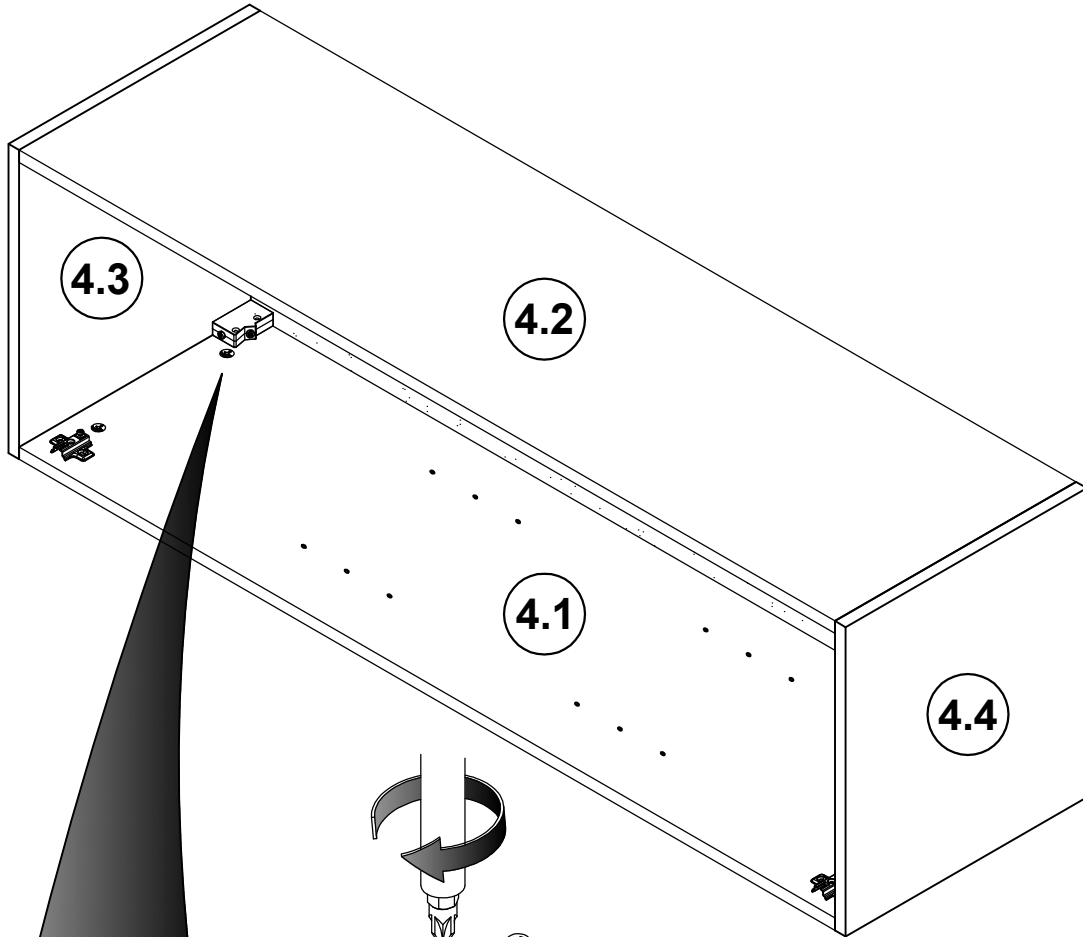
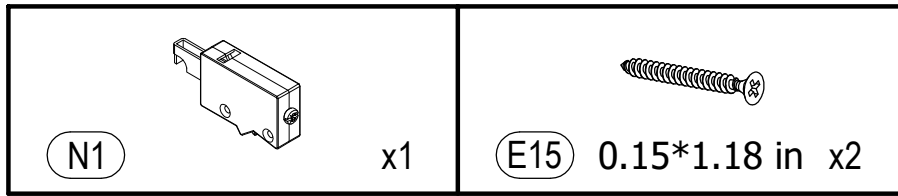
STEP
40



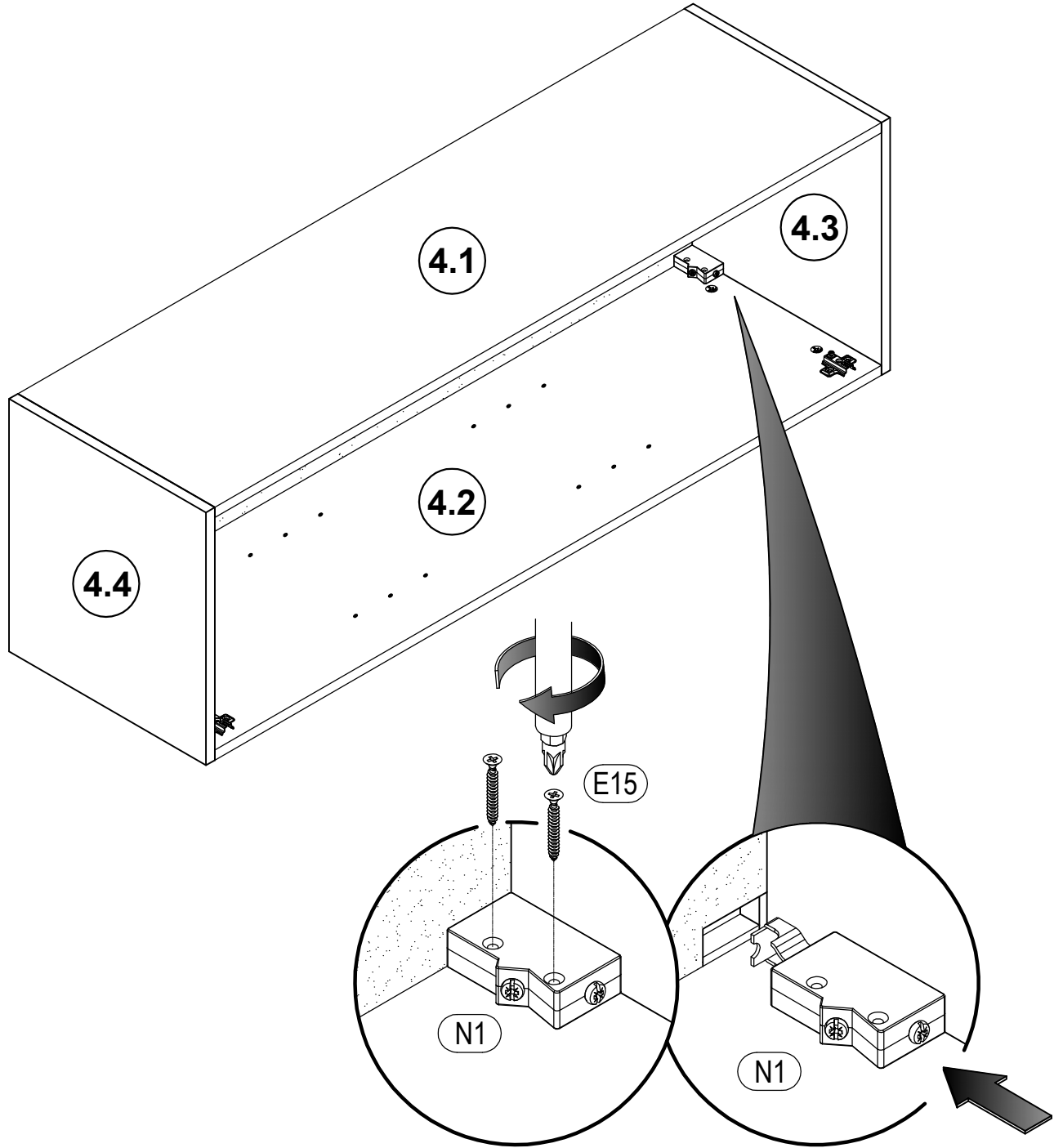
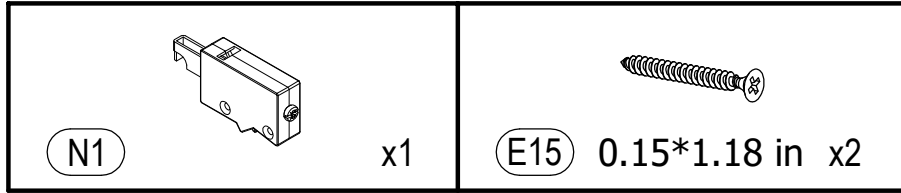
STEP
41



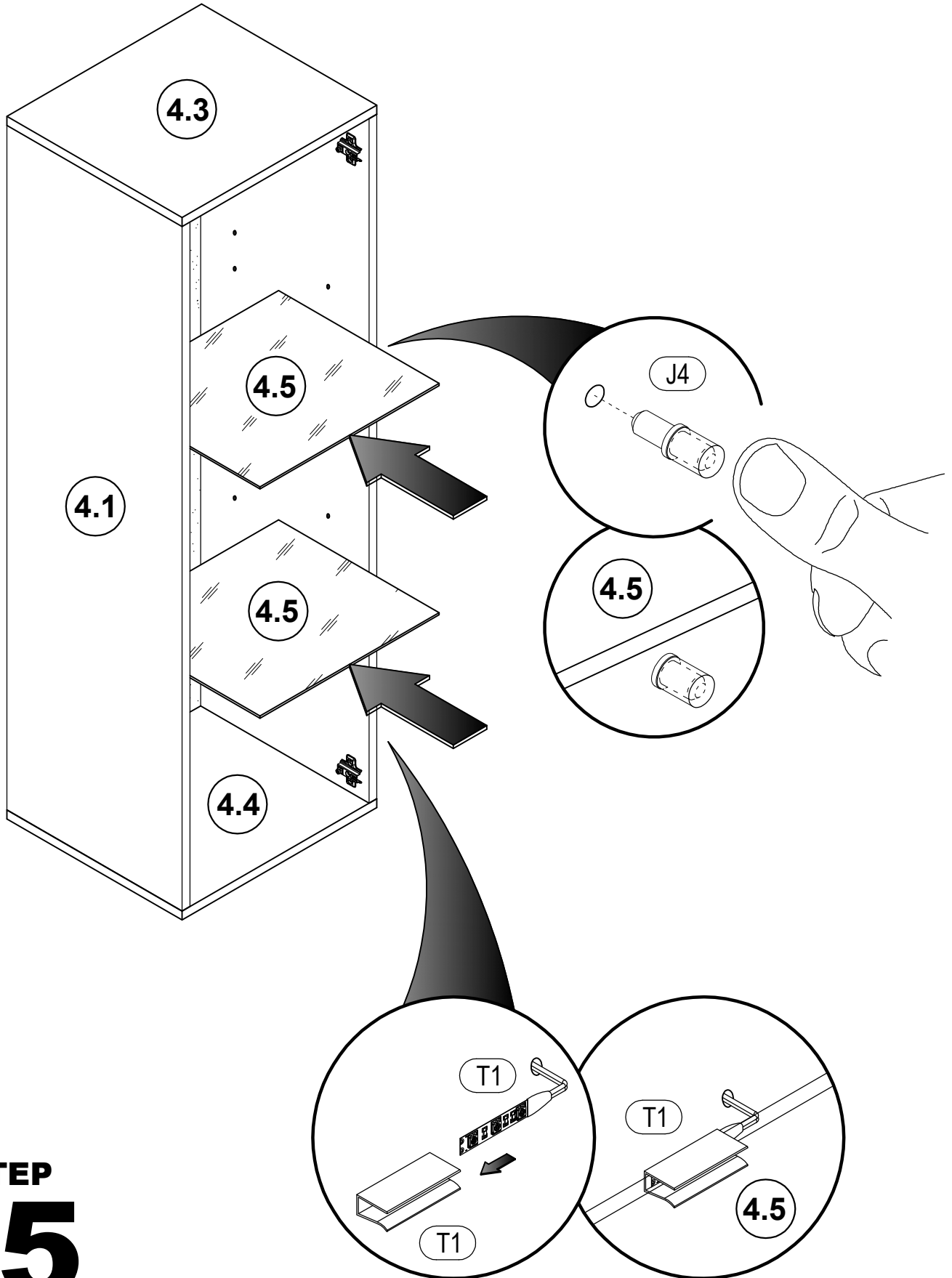
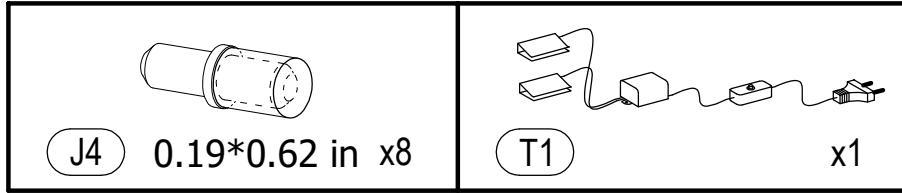
STEP
42







STEP
43

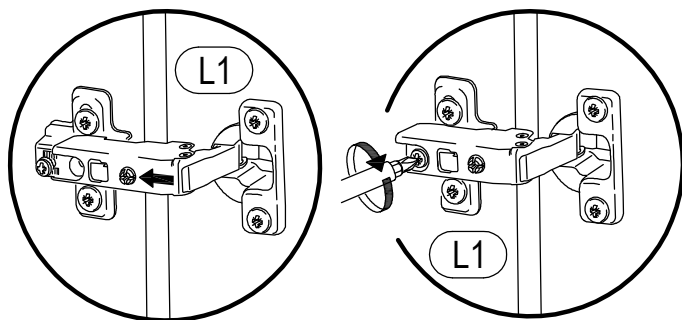
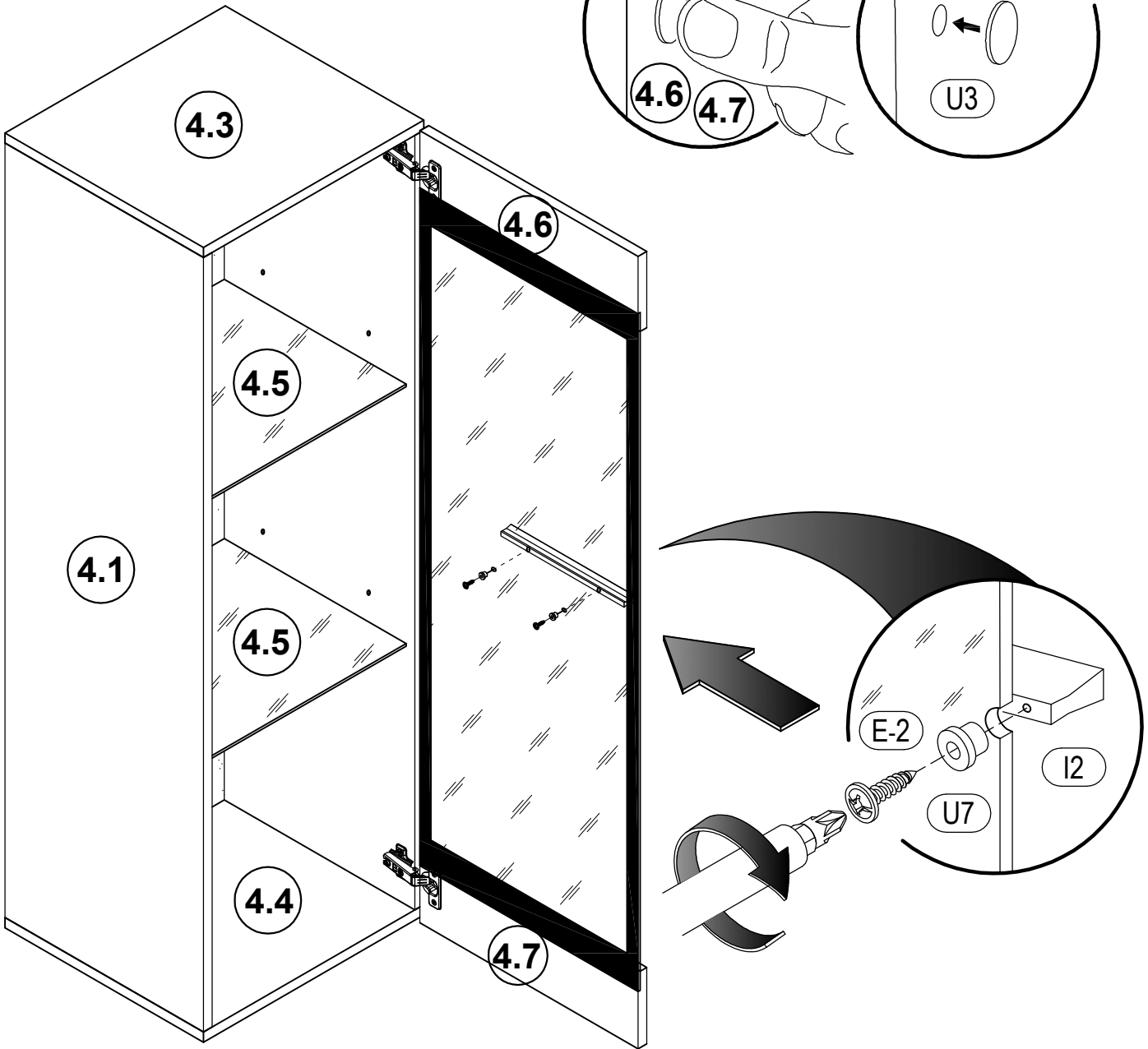


STEP
44

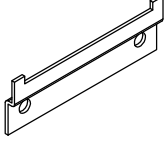
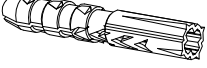
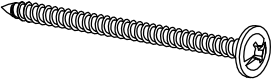


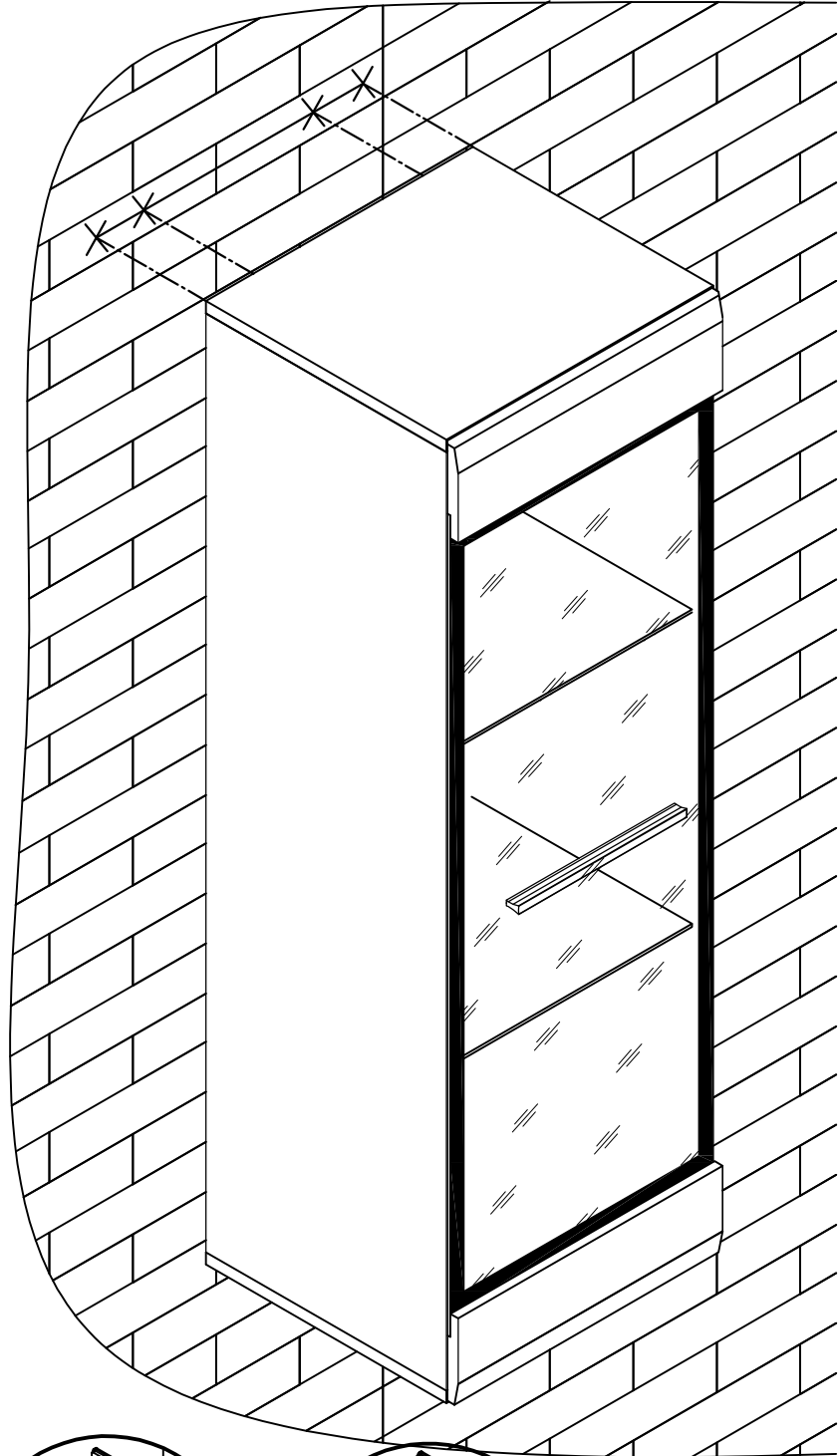
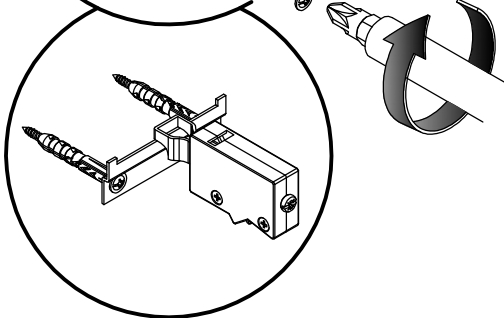
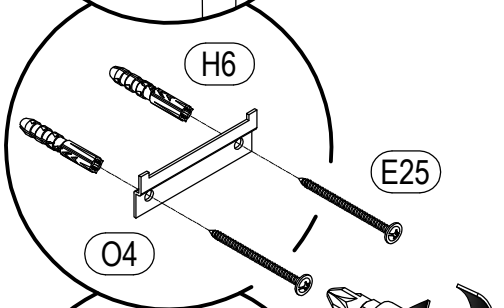
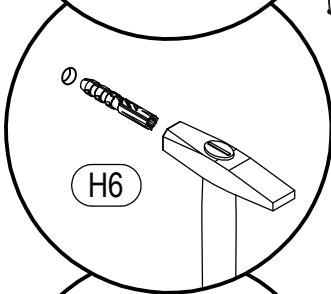
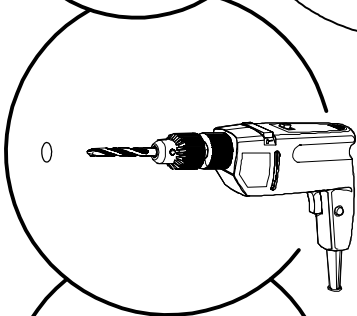
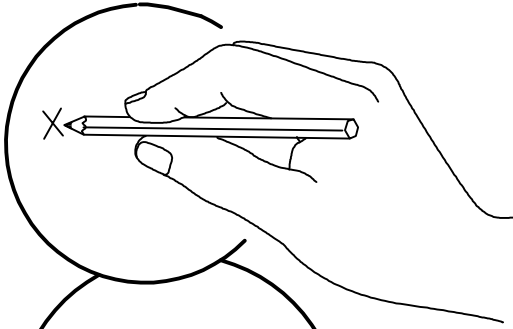
STEP
45

 E-2 0.16*0.51 in x2	 U7 x2	 I2 L-9.92 in x1
 U3 x2		

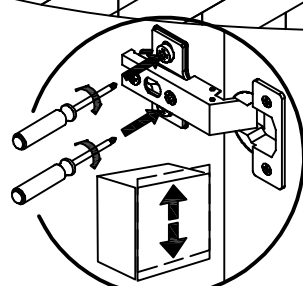
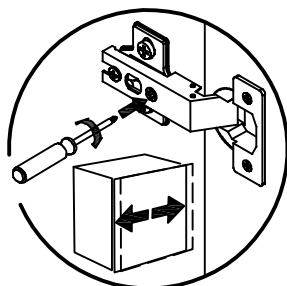
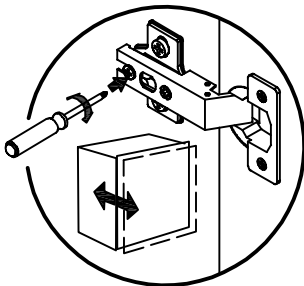


STEP
46

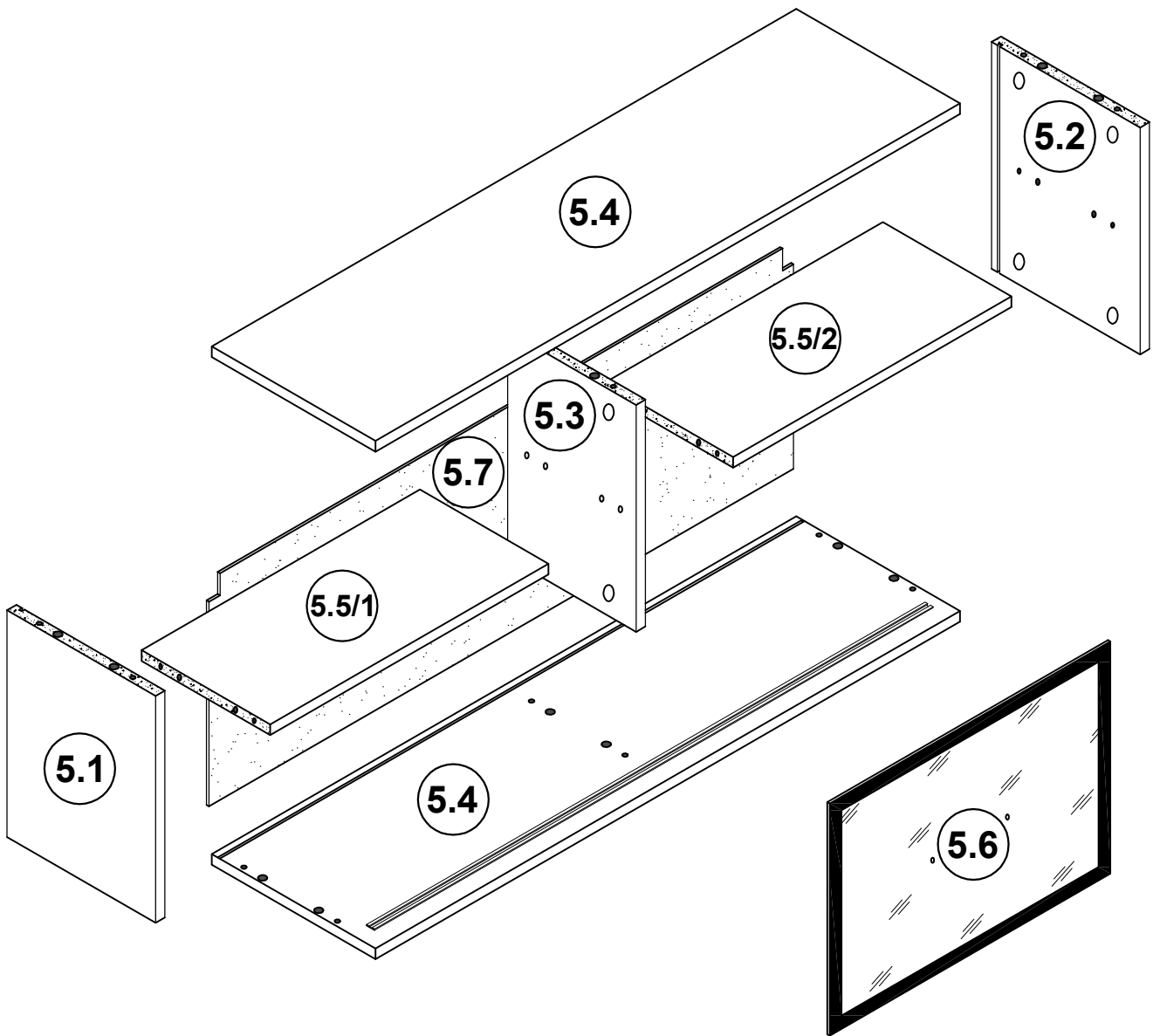
 <p>O4 x2</p>	 <p>H6 0.39*1.96 in x4</p>	 <p>E25 0.23*2.36 in x4</p>
--	---	--



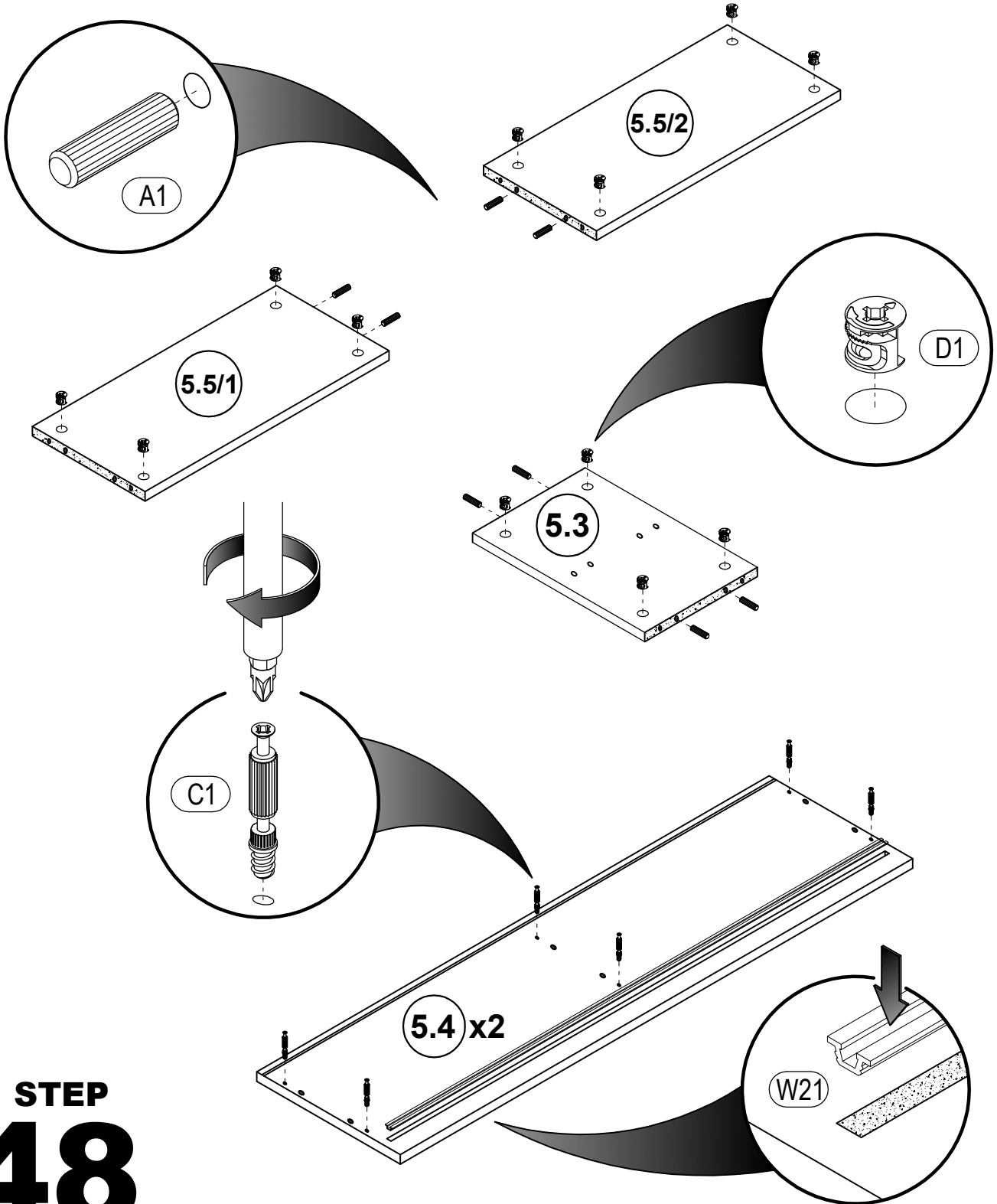
STEP
47



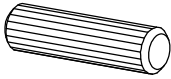
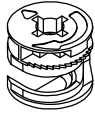
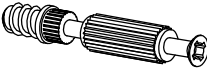



5

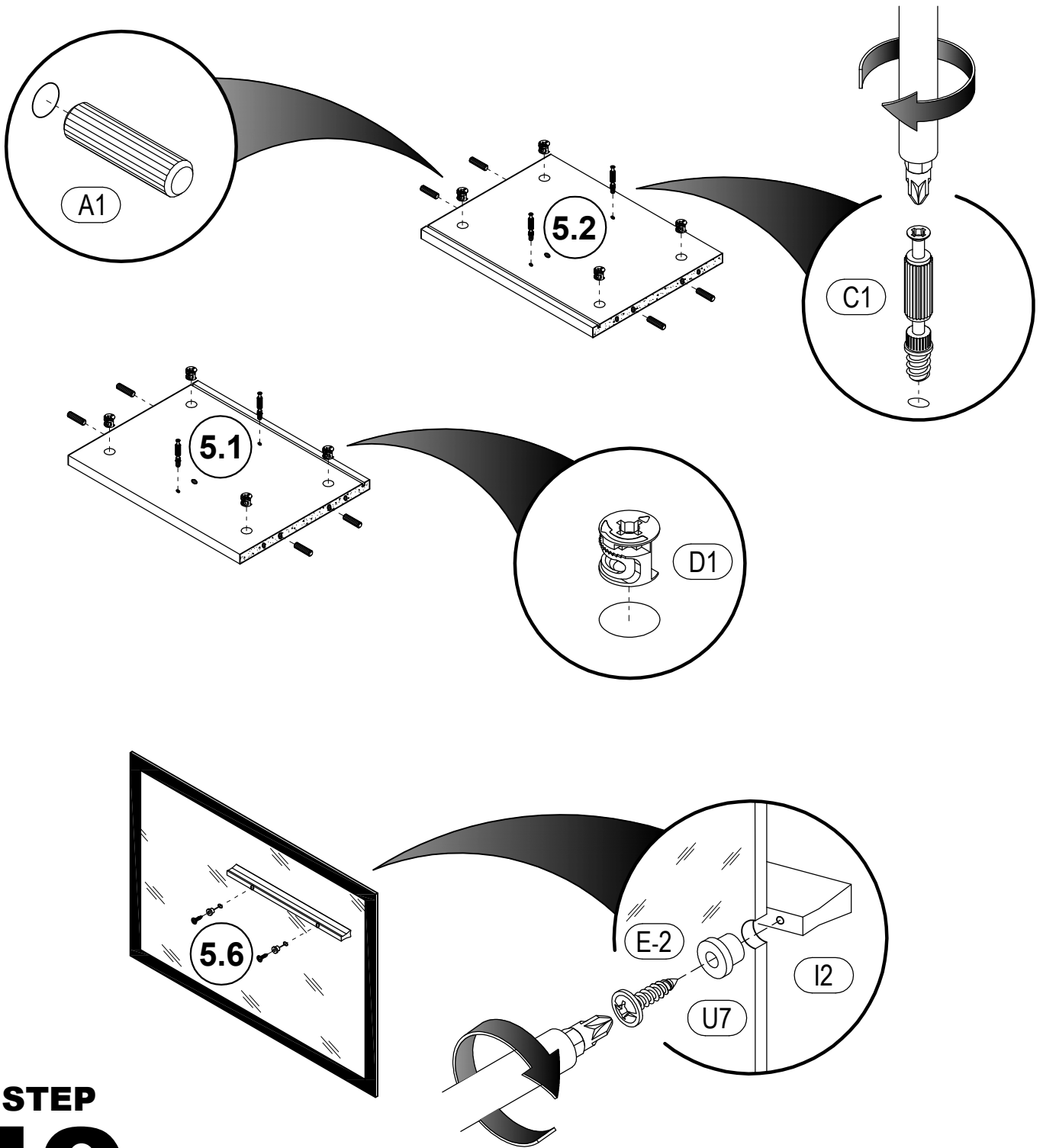


 A1 0.31*1.18 in x8	 D1 0.59 in x12	 C1 0.23*1.69 in x12
		 W21 L-38.07 in x2

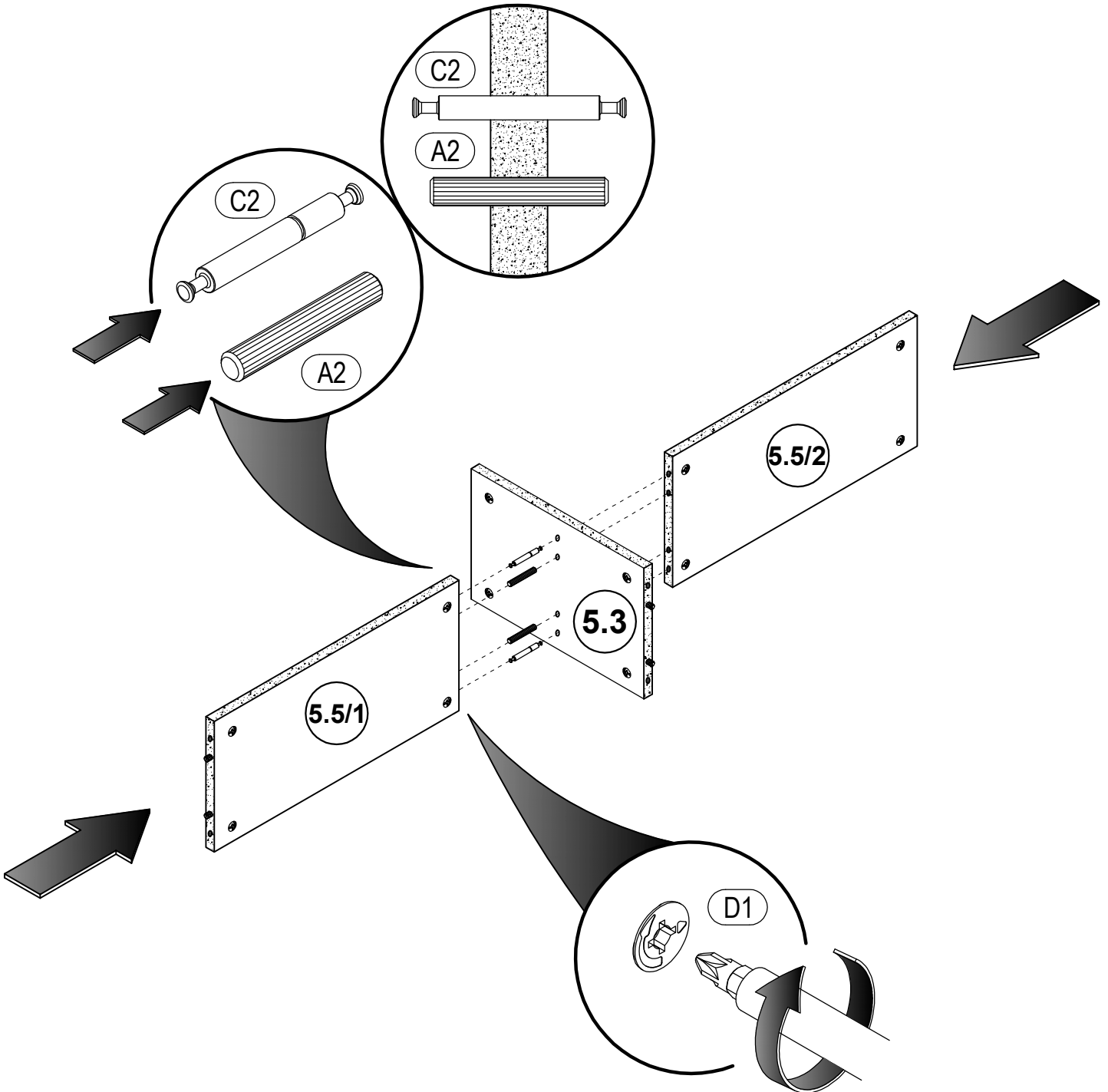
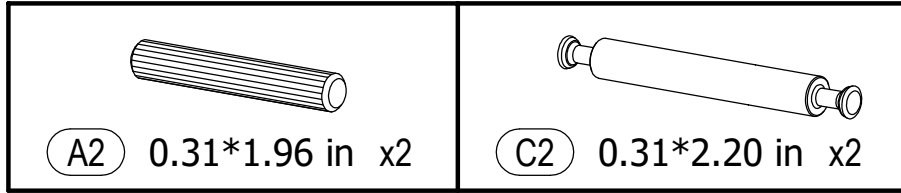


STEP
48

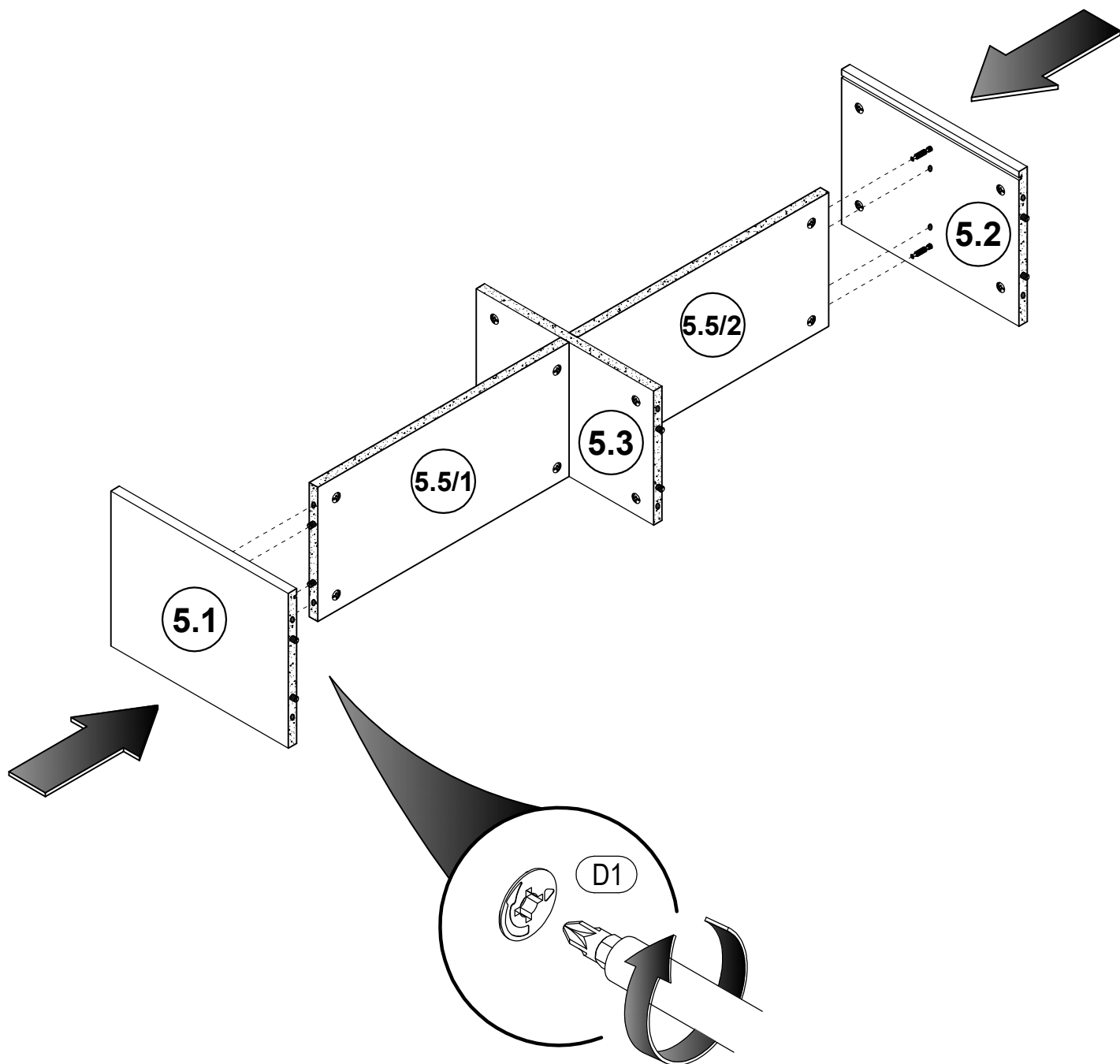
 <p>(A1) 0.31*1.18 in x8</p>	 <p>(D1) 0.59 in x8</p>	 <p>(C1) 0.23*1.69 in x4</p>
 <p>(E-2) 0.16*0.51 in x2</p>	 <p>(U7) x2</p>	 <p>(I2) L-9.92 in x1</p>



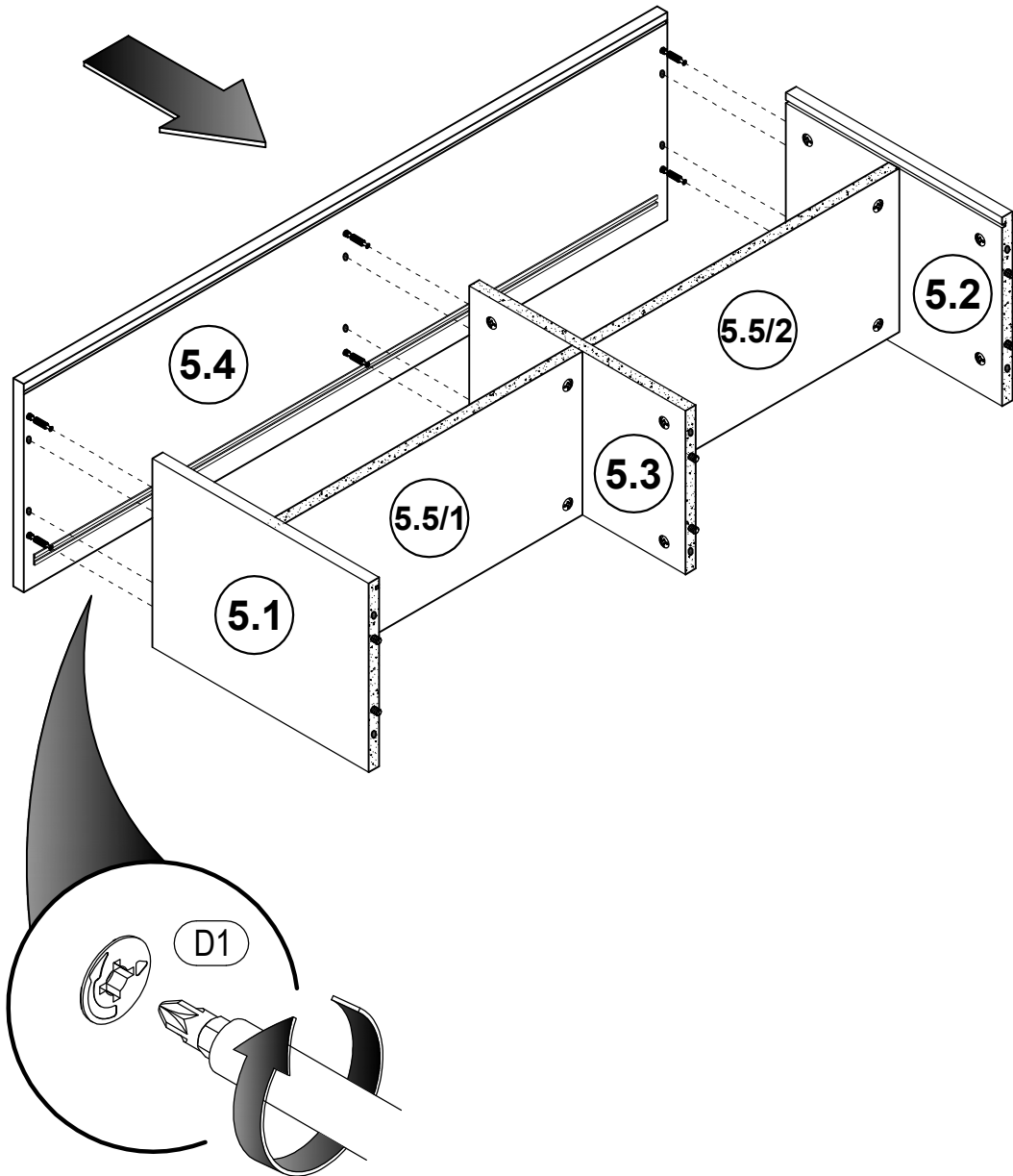
STEP
49



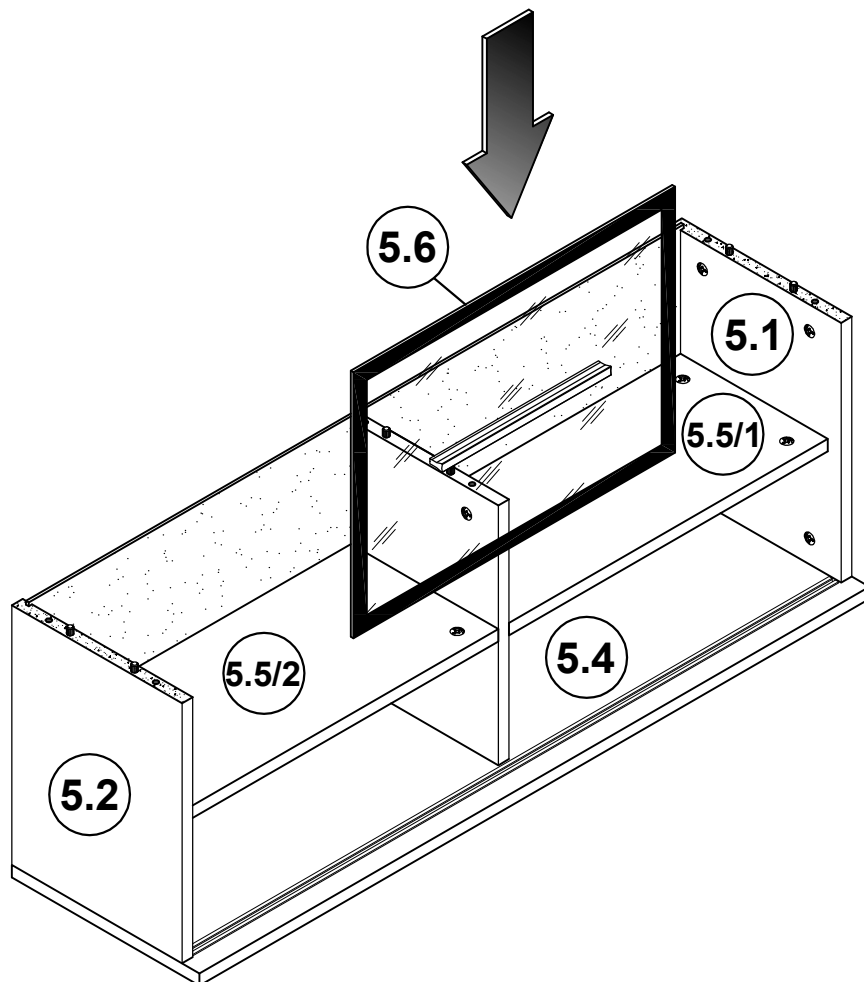
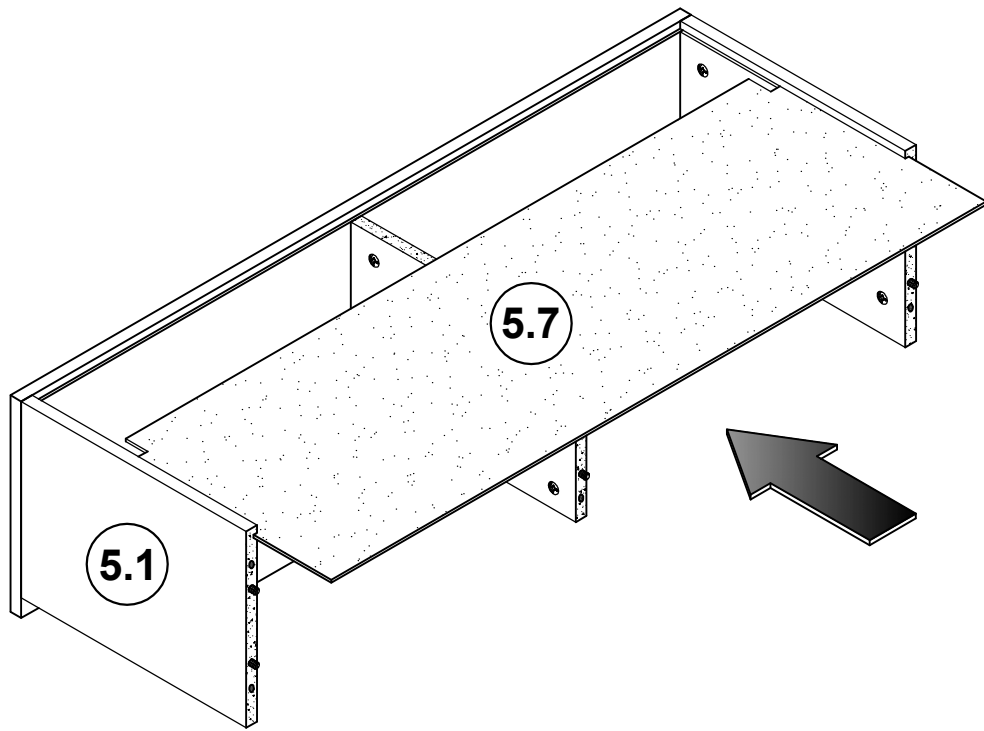
STEP
50



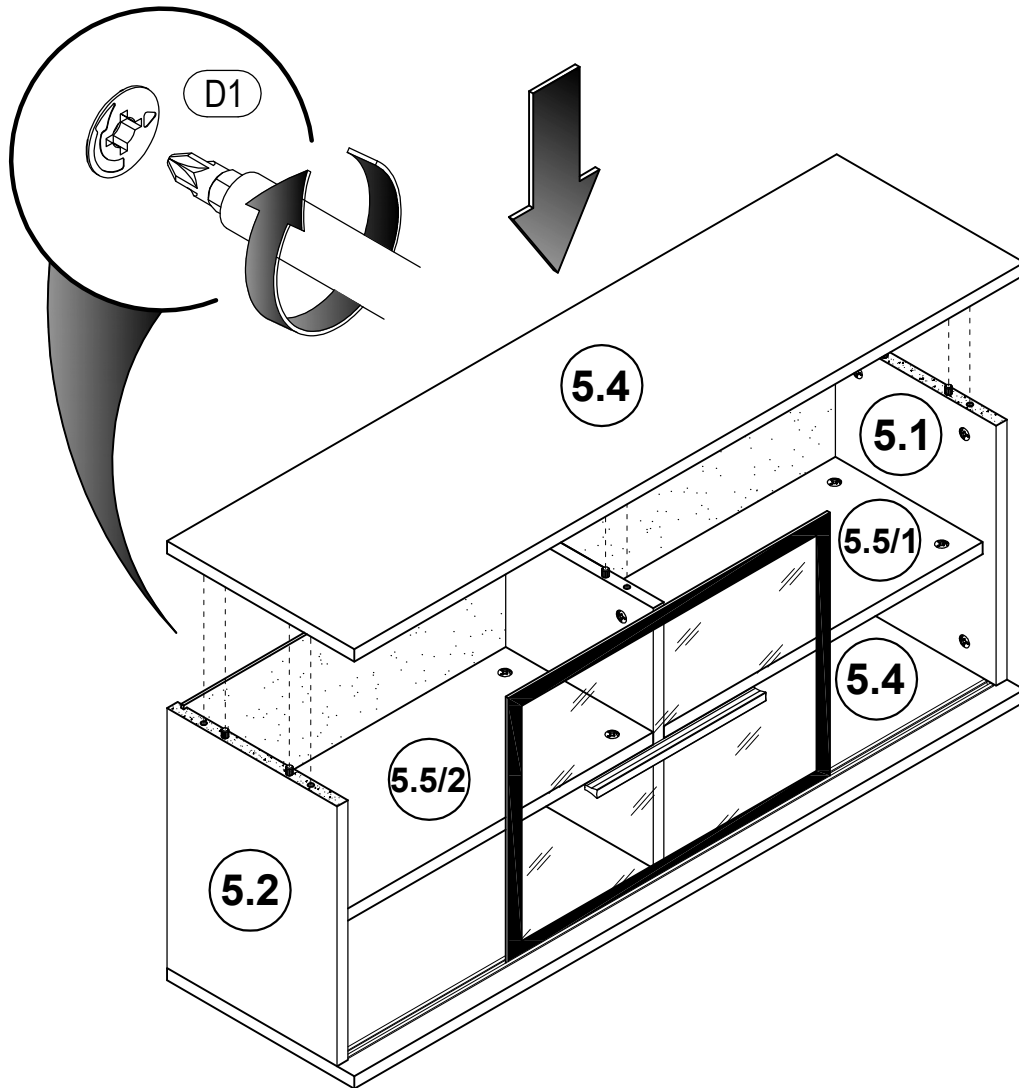
STEP
51



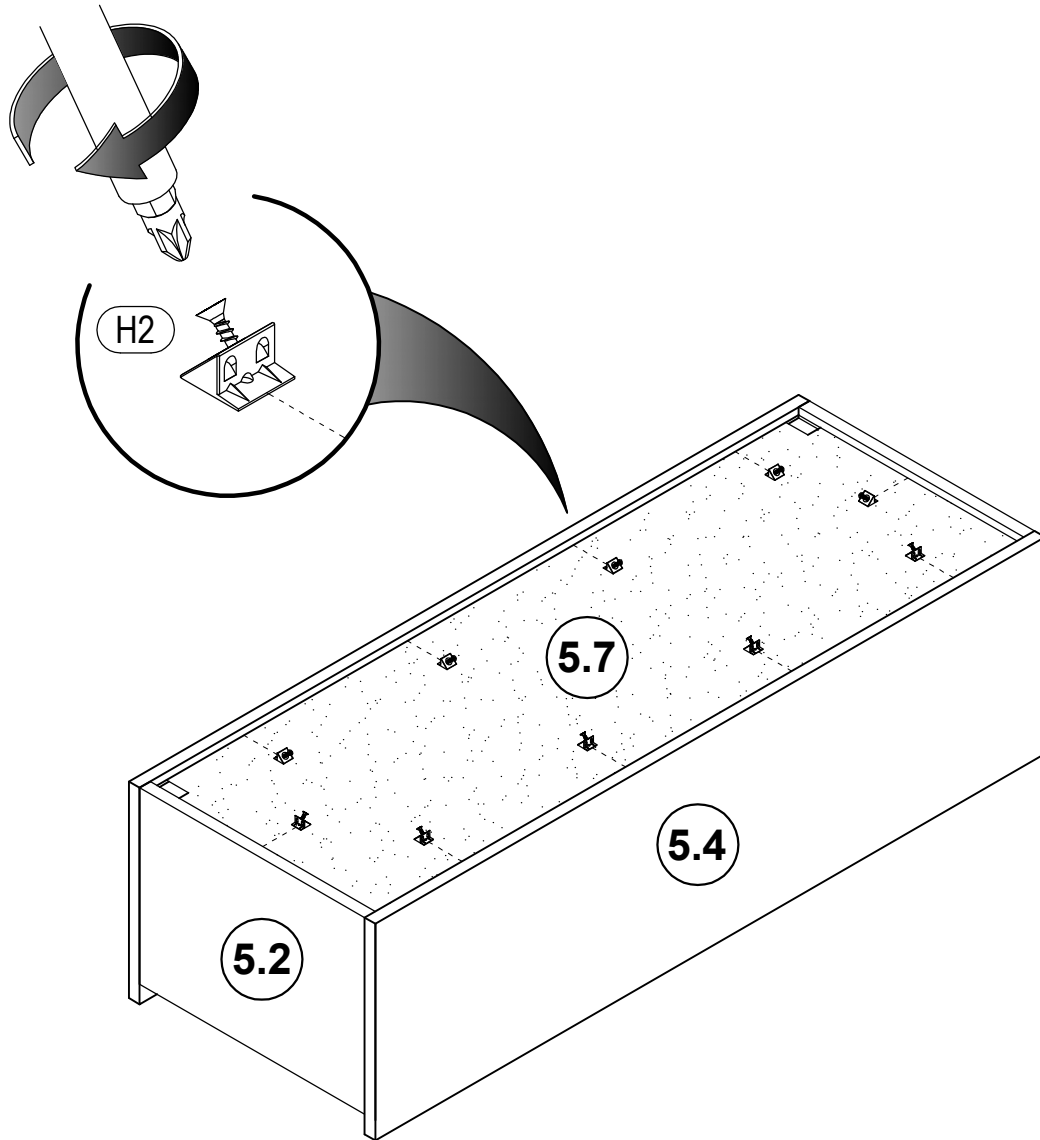
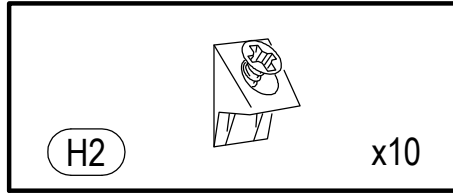
STEP
52



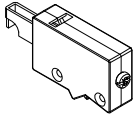

STEP
53

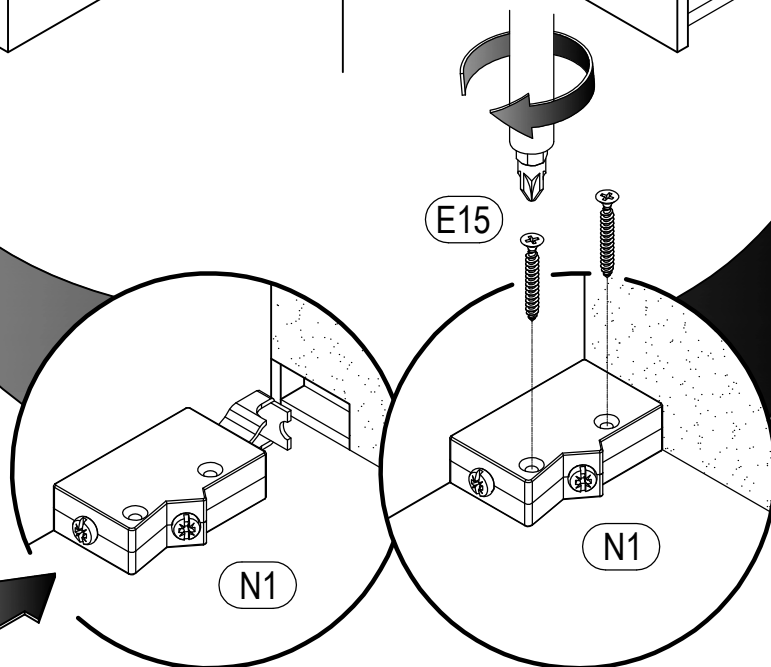
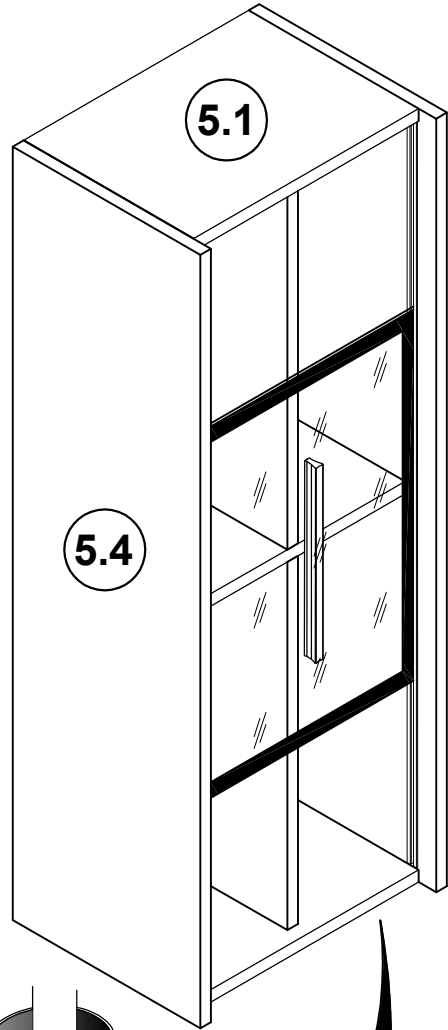
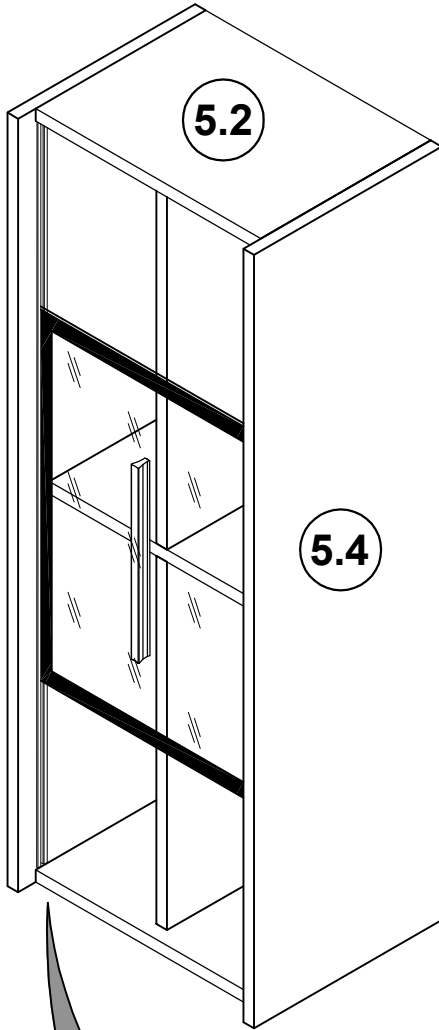


STEP
54

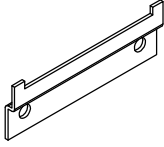
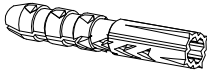
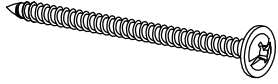


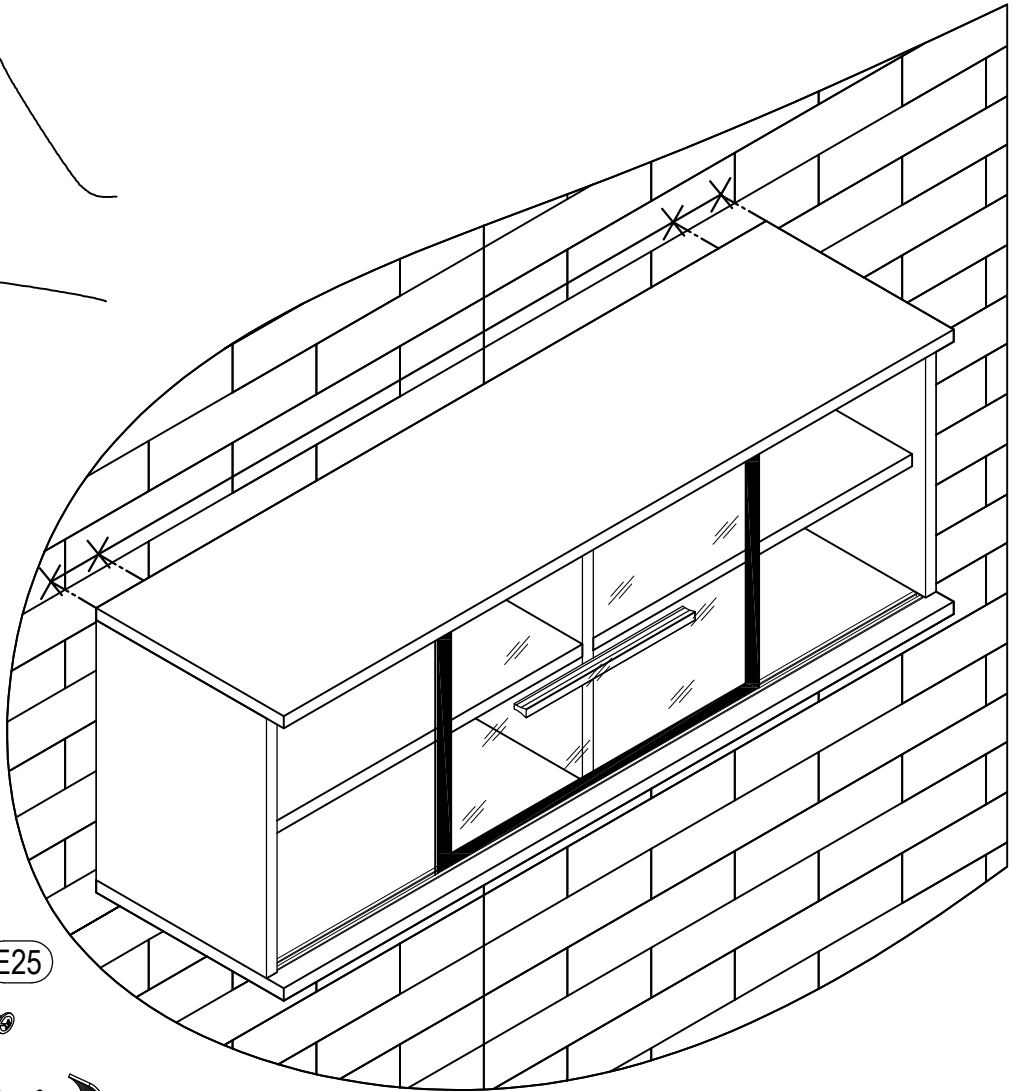
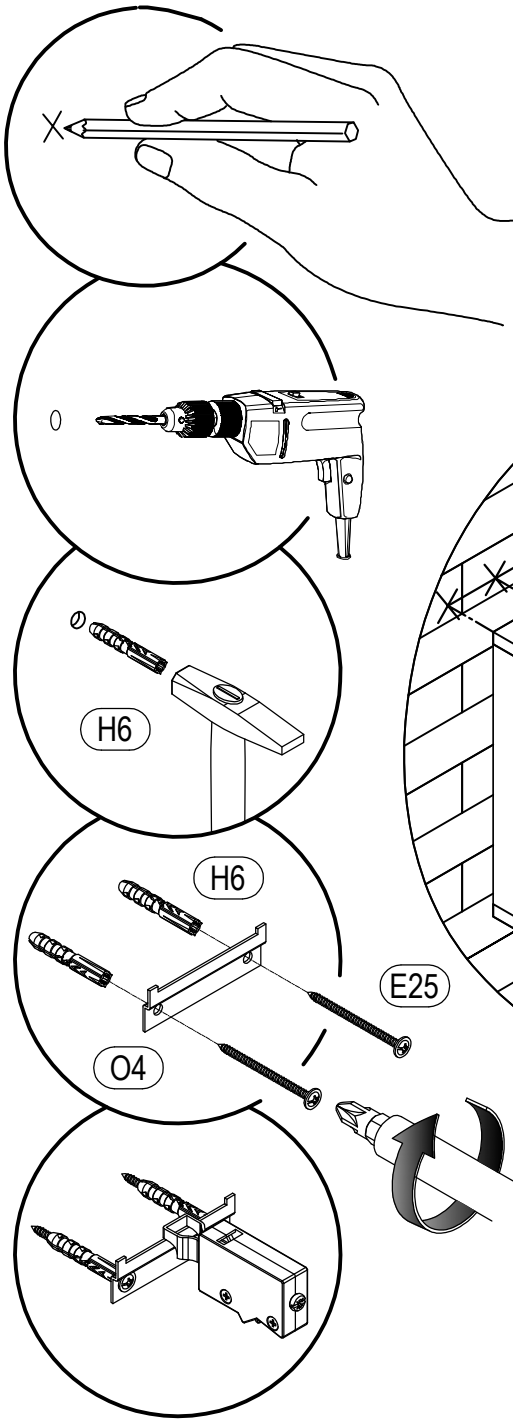
STEP
55

 <p>(N1) x2</p>	 <p>(E15) 0.15*1.18 in x4</p>
--	---

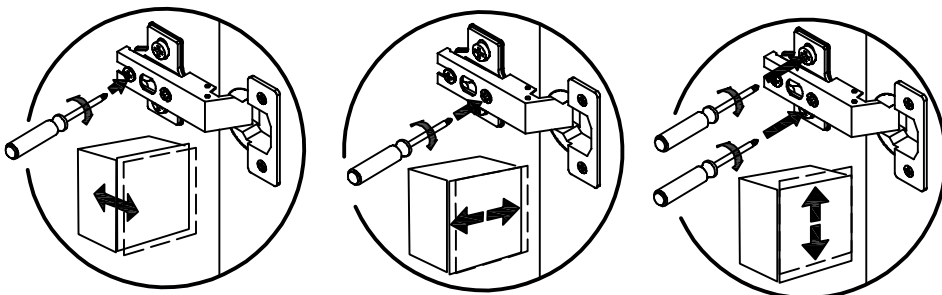


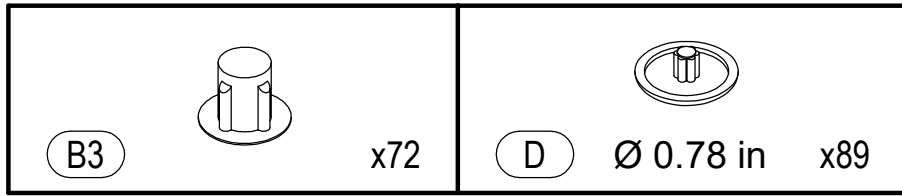
STEP
56

 <p>(O4) x2</p>	 <p>(H6) 0.39*1.96 in x4</p>	 <p>(E25) 0.23*2.36 in x4</p>
--	---	--



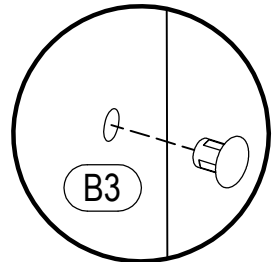
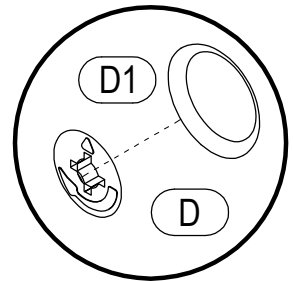
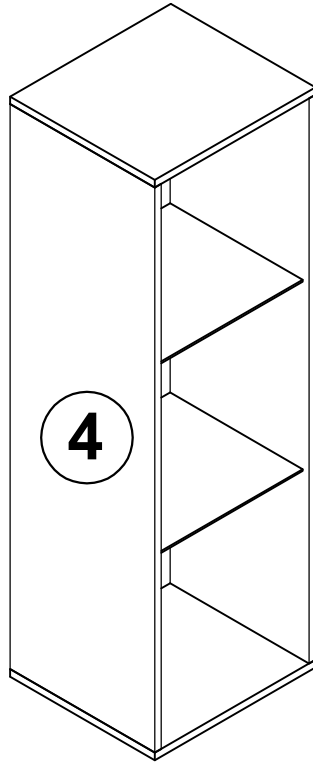
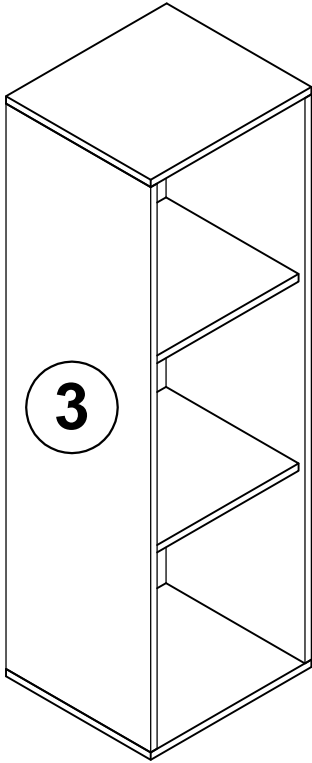
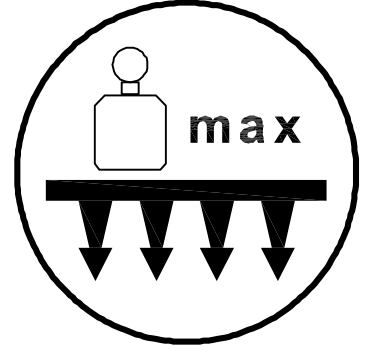
STEP
57





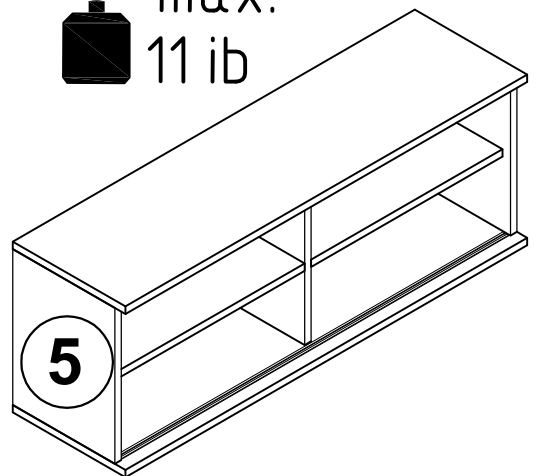
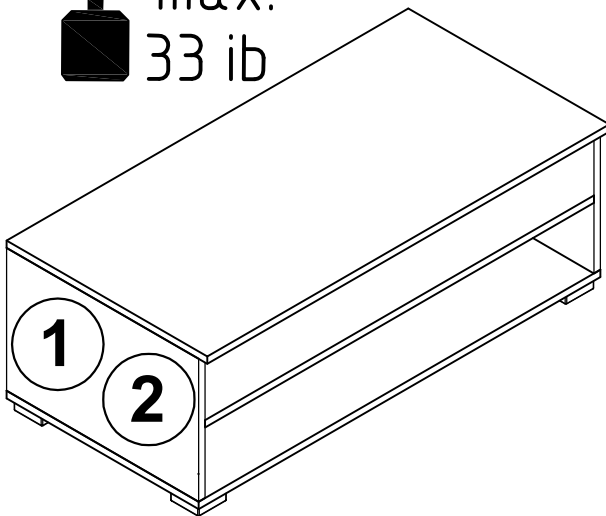
 max.
22 ib

 max.
22 ib



 max.
33 ib

 max.
11 ib



STEP
58

