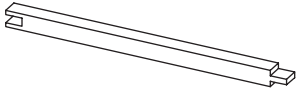
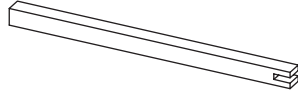


A1x3



A2x3



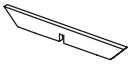
B1x2



B2x2



Cx8



Dx4



Ex6



M4x50

Fx16

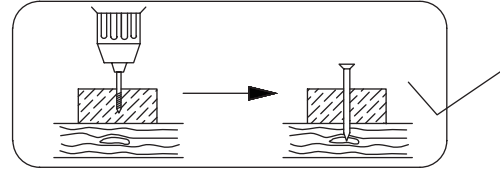
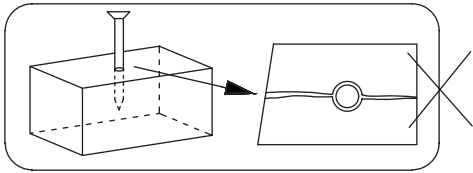


M4x70

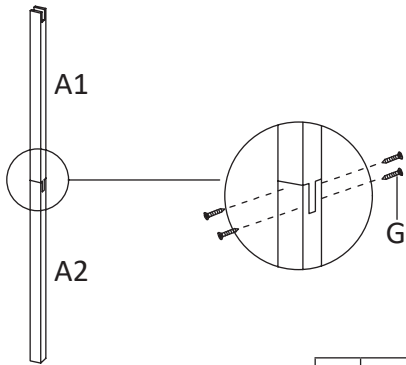
Gx20



M5x50

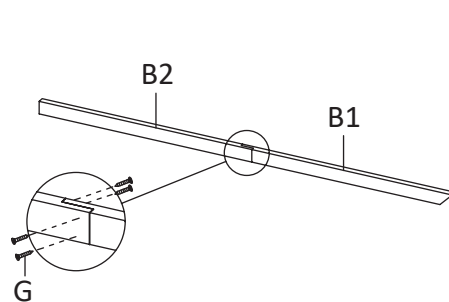
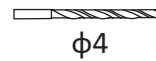


1 x3



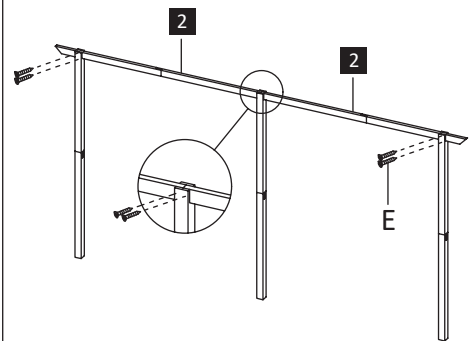
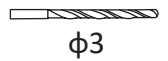
G x12

2 x2



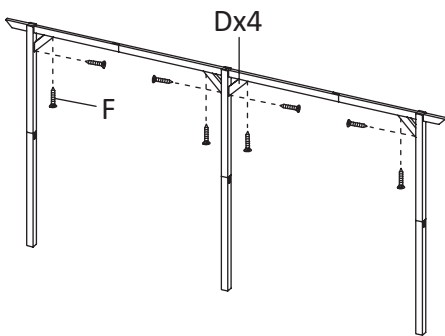
G x8

3



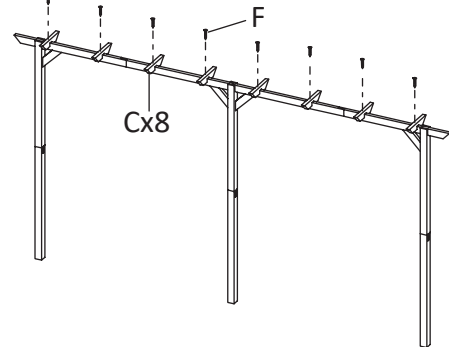
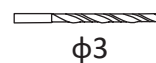
E x6

4



F x8

5



F x8

6

