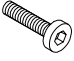
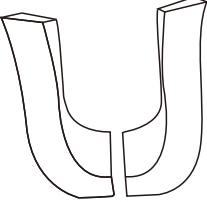
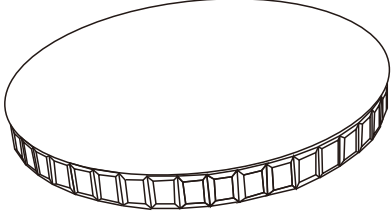


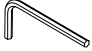
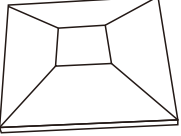
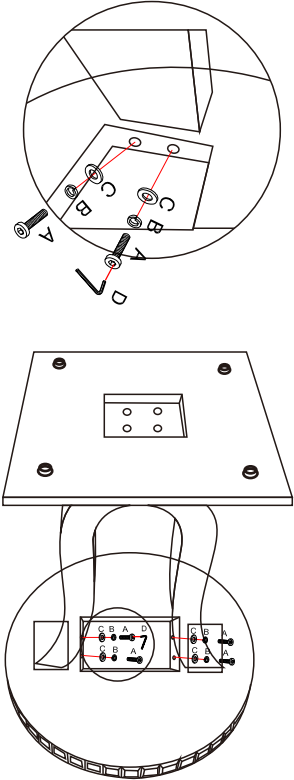


Assembly Instructions

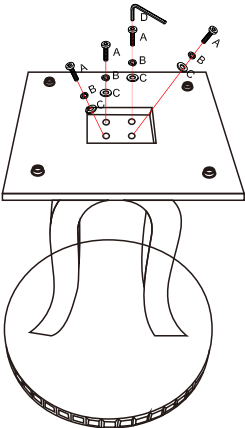
A	 M8 Bolts x 35mm	8pcs		2 pcs	
B	 Spring washer(Ø8)	8pcs			
C	 Metal Washer(Ø8xØ18)	8pcs			
D	 5mm Allen Key	1pcs			
				1 pcs	1 pcs

Step 1



Note: The screws on each panel need to be put into the holes together and then tightened at the same time.

Step 2



Step 3

