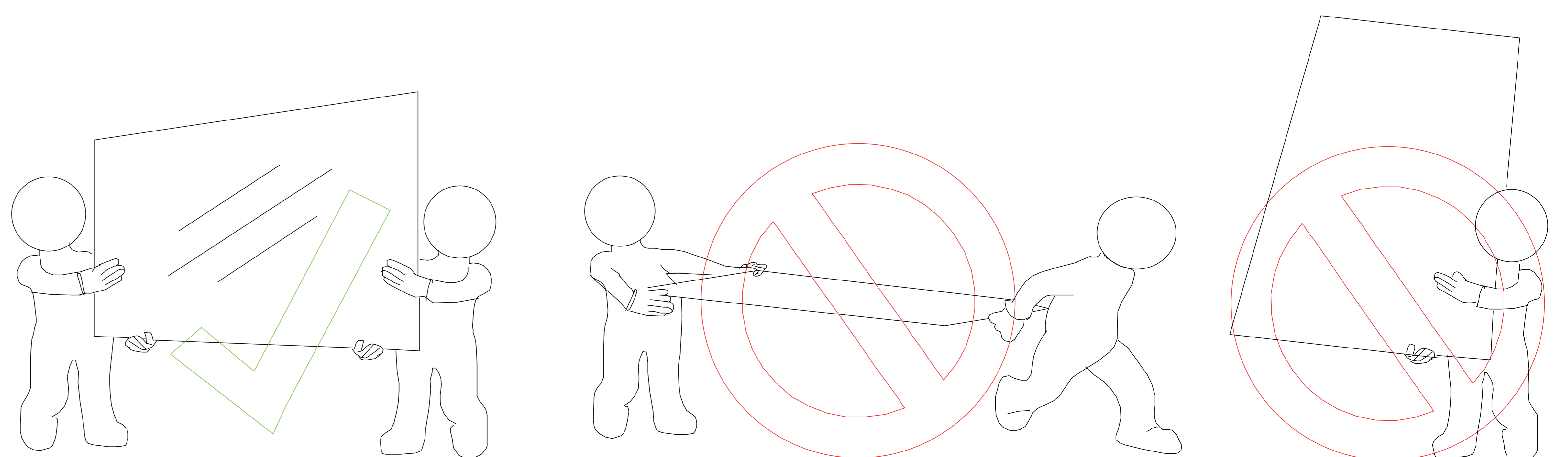
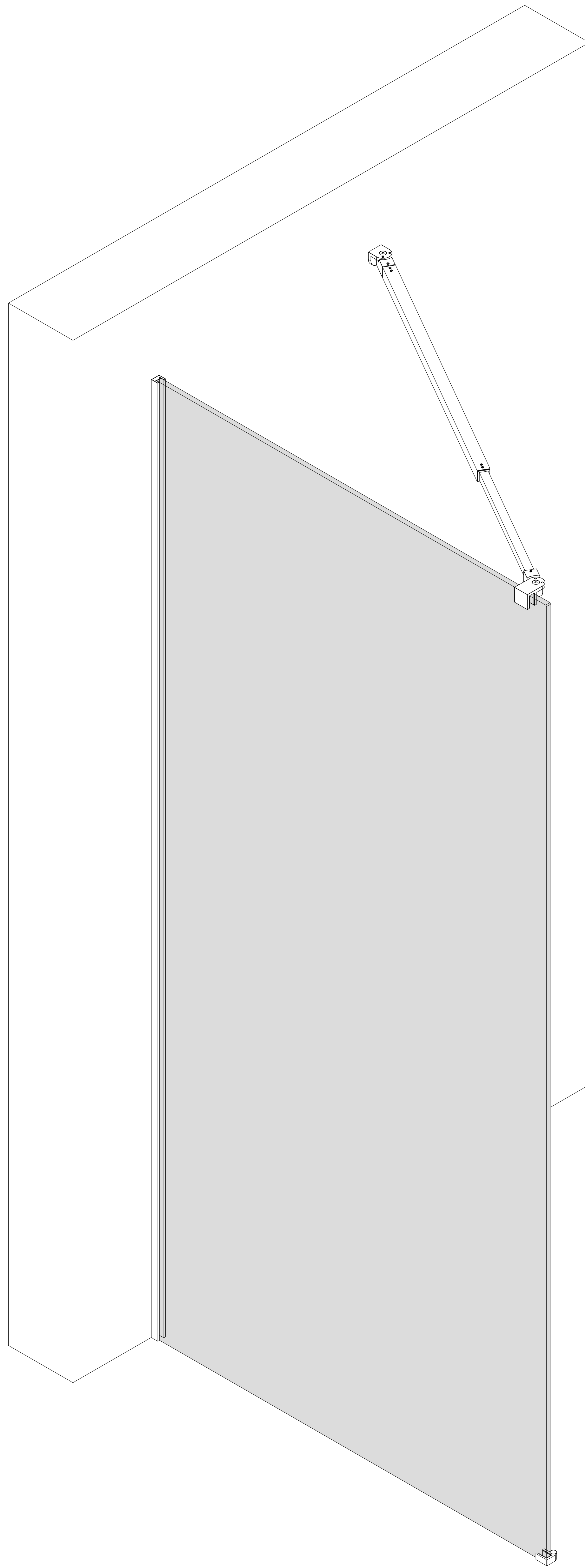
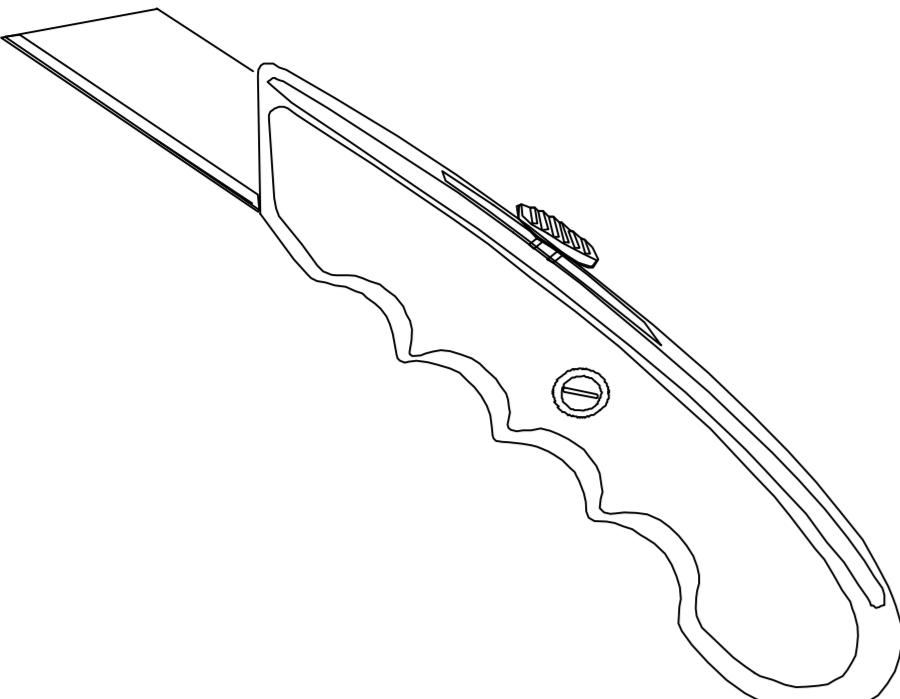
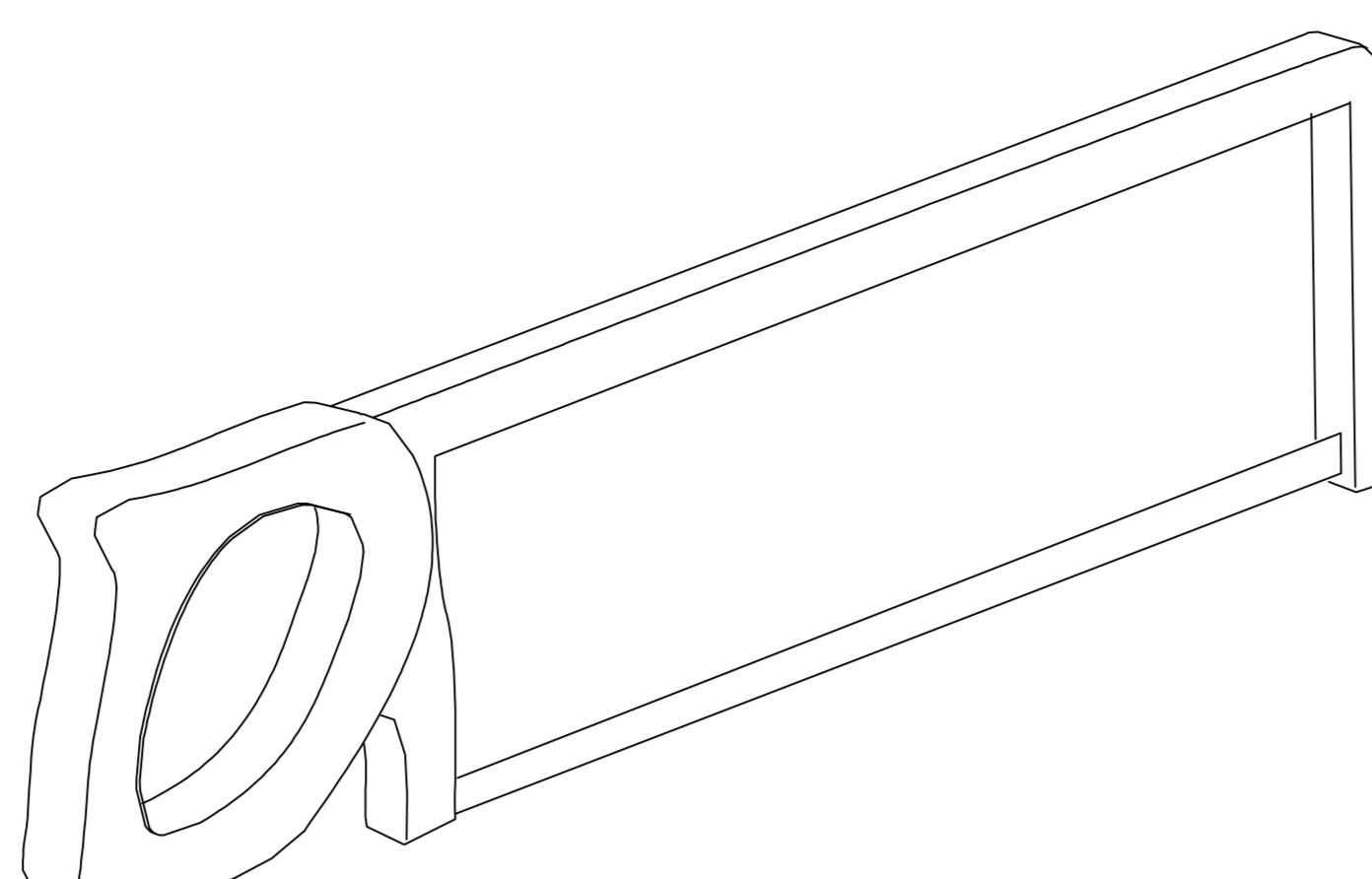
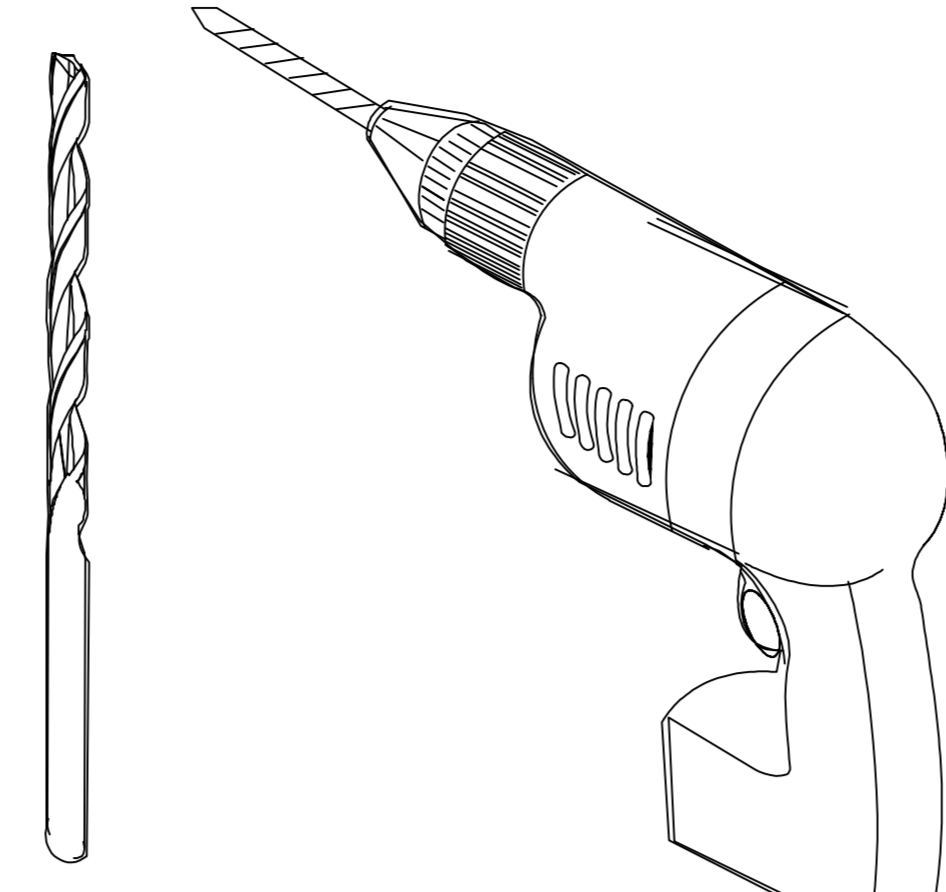
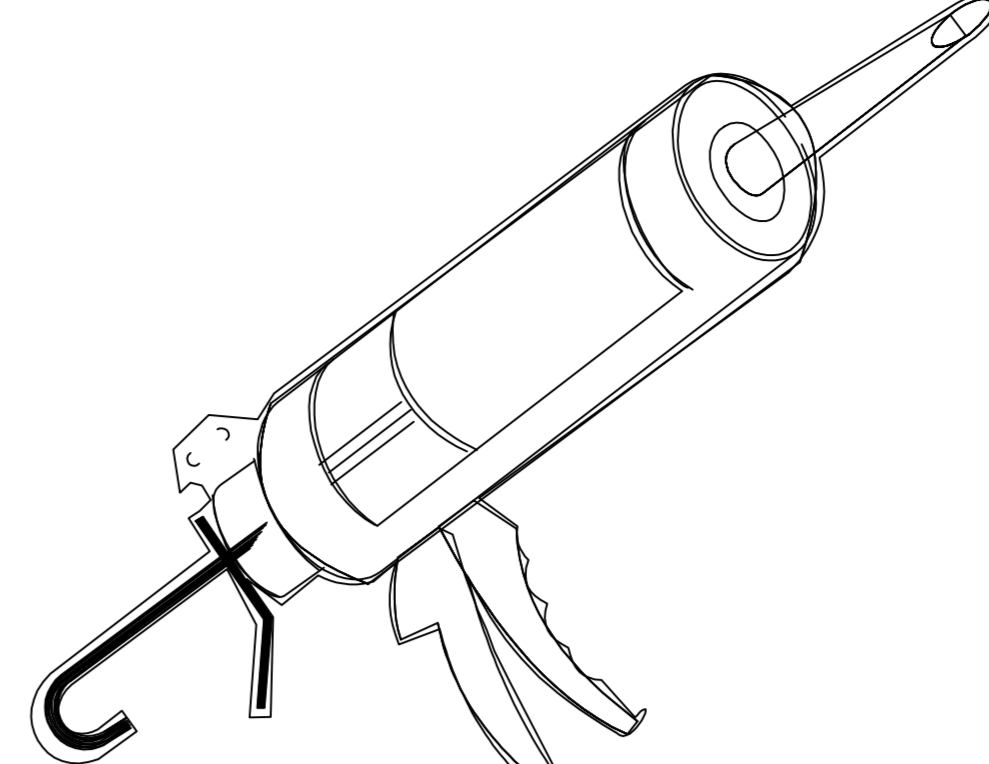
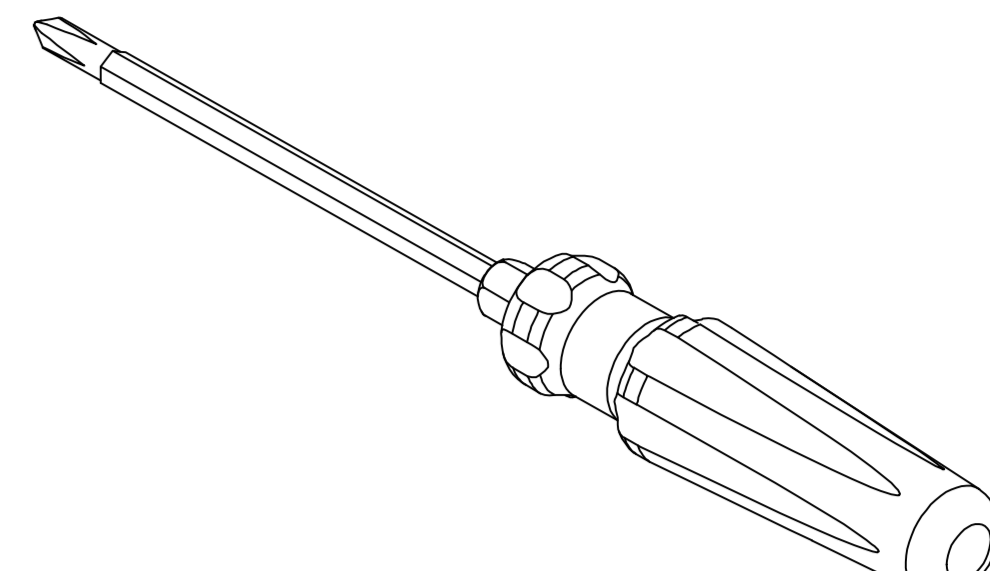
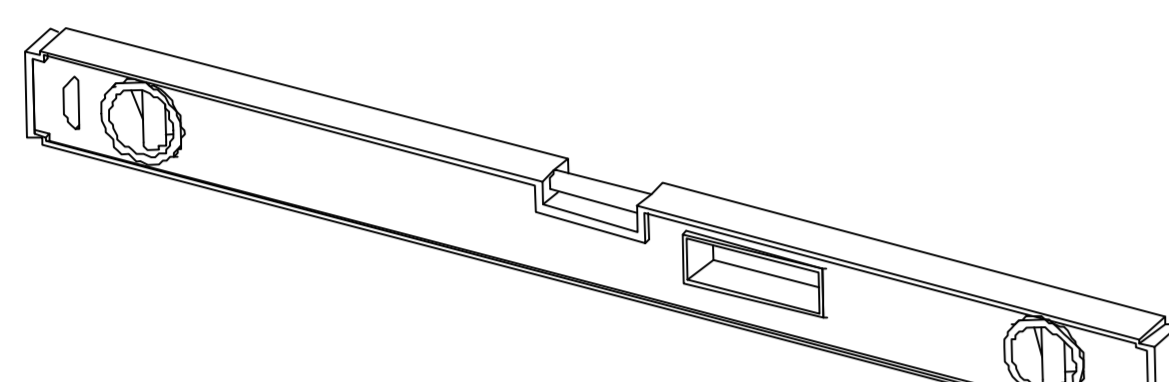
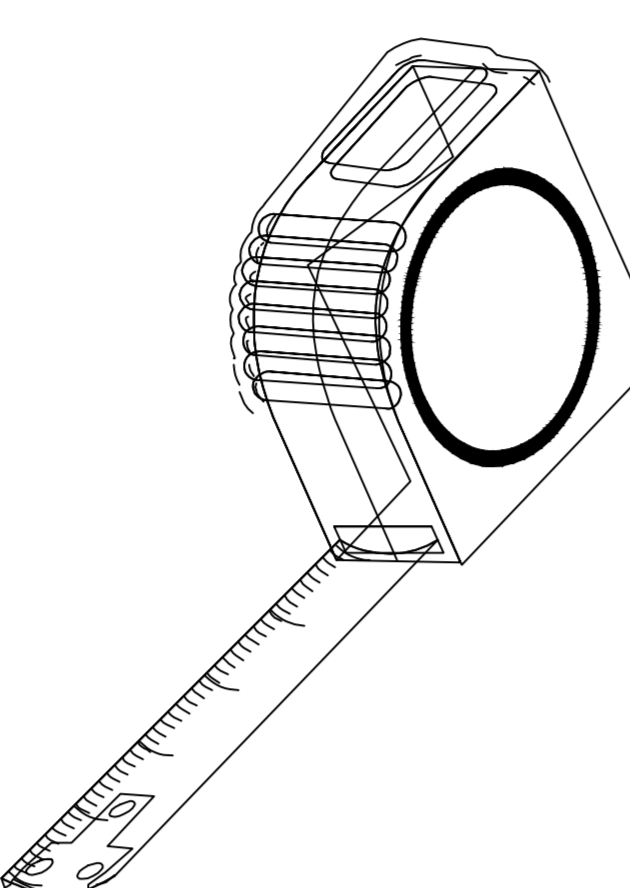
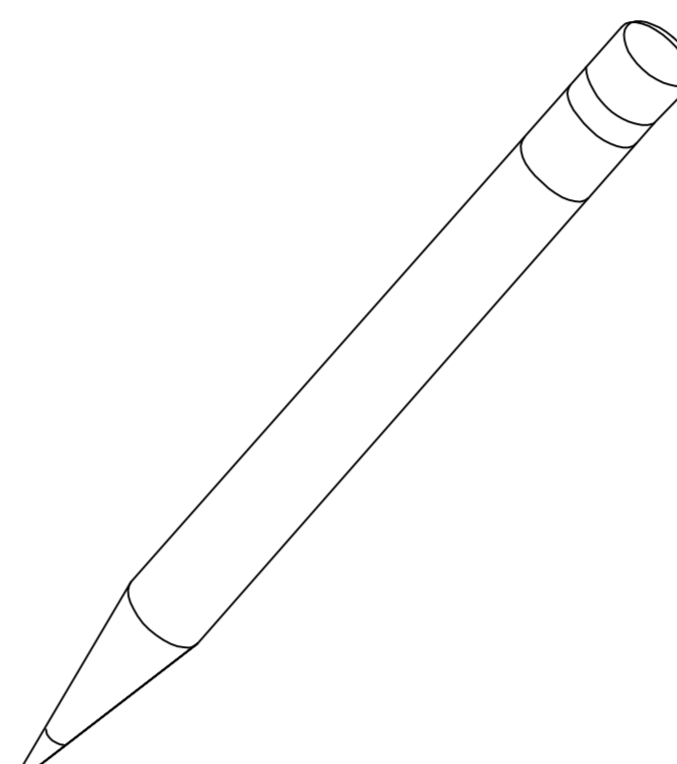
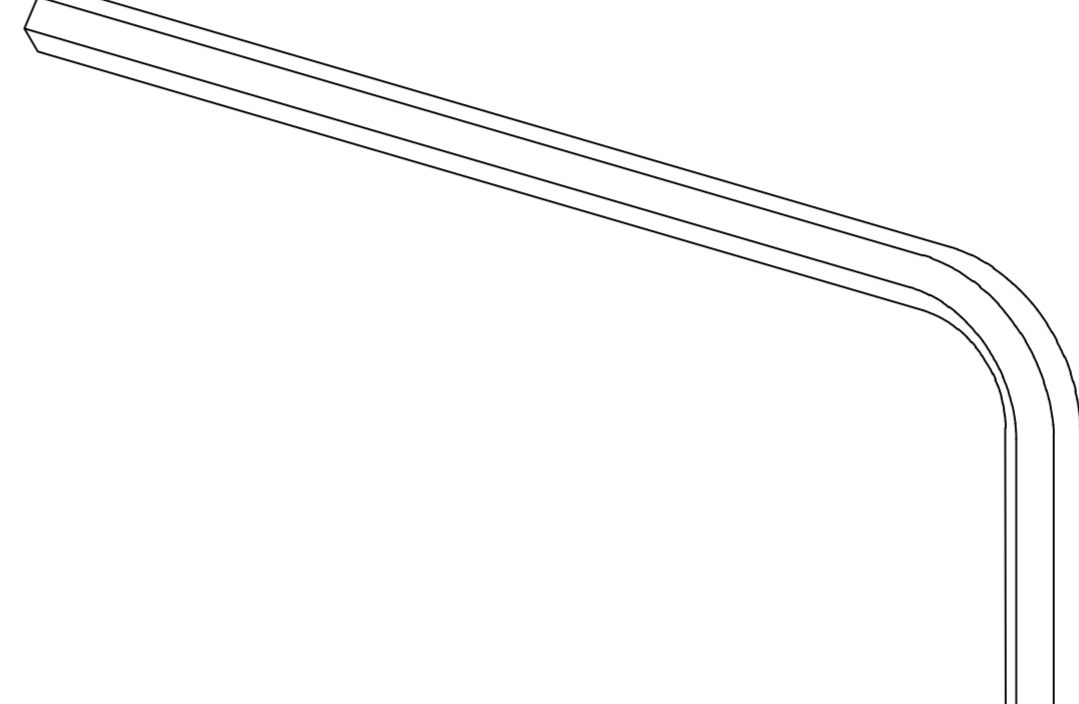
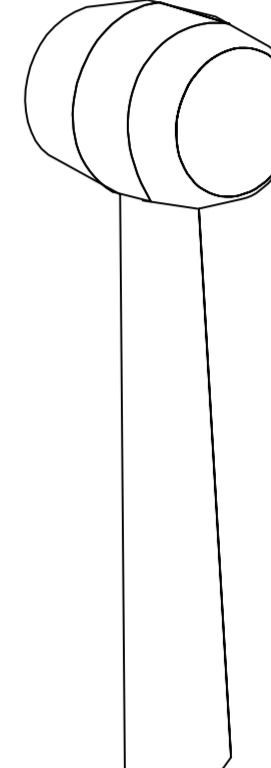


INSTALLATION MANUAL



NOTE: Installation Requires 2 People

Tools and Materials

		 ∅ 8mm 40 / 127" ∅ 6mm 30 / 127"		
Knife	Hack Saw	Drill	Caulk Gun	Screwdriver
				
Level	Tape Measure	Pencil	Allen Key	MALLET

Before You Begin

- ⚠ CAUTION: Risk of injury. Always wear safety glasses when cutting or drilling.
- ⚠ CAUTION: Risk of injury or product damage. Tempered glass cannot be cut.
 - Before starting the installation, lay out and identify the parts. Inspect them for damage.
 - The bath/shower or receptor should be installed/prepared at this time, including finished wall materials.

Installation on Tiled Surfaces

If your shower door will be installed over tiles, ensure the tiles are fully laid beneath the door frame.

Shower Door Care

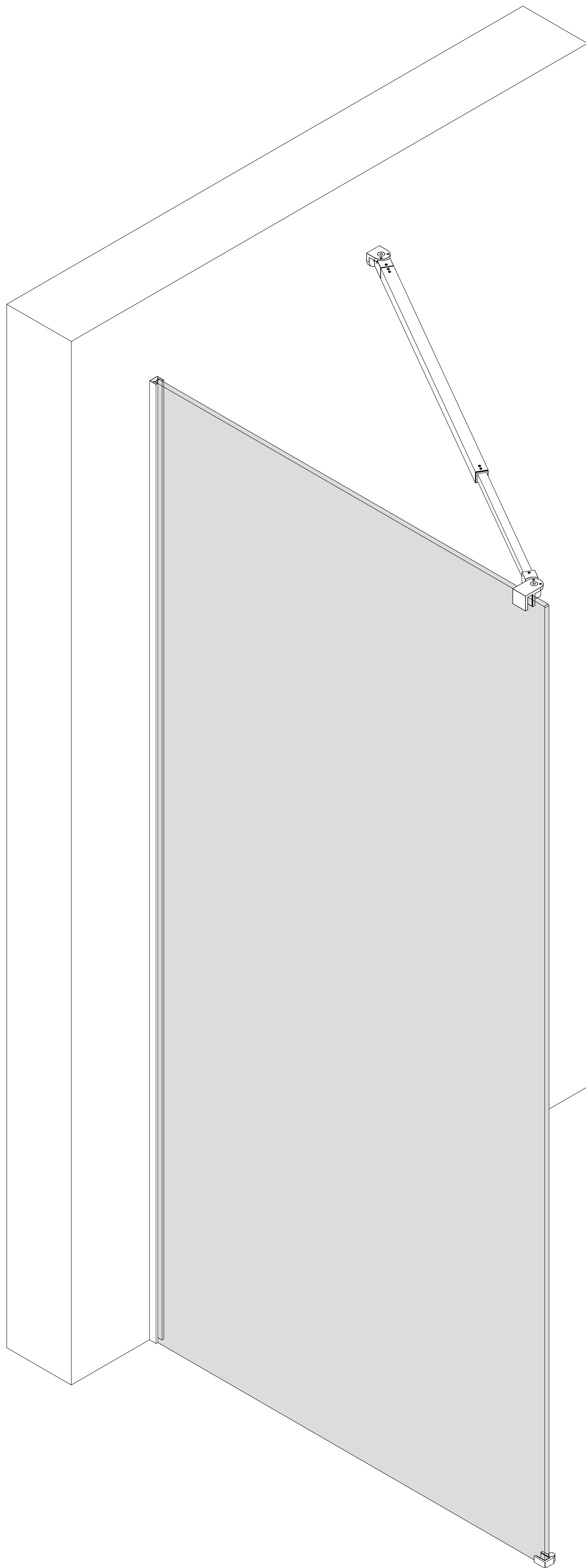
Do not use abrasive pads or sharp tools on any metal parts or glass surfaces.

To maintain a clean and like-new appearance, wipe with diluted mild soap and water.

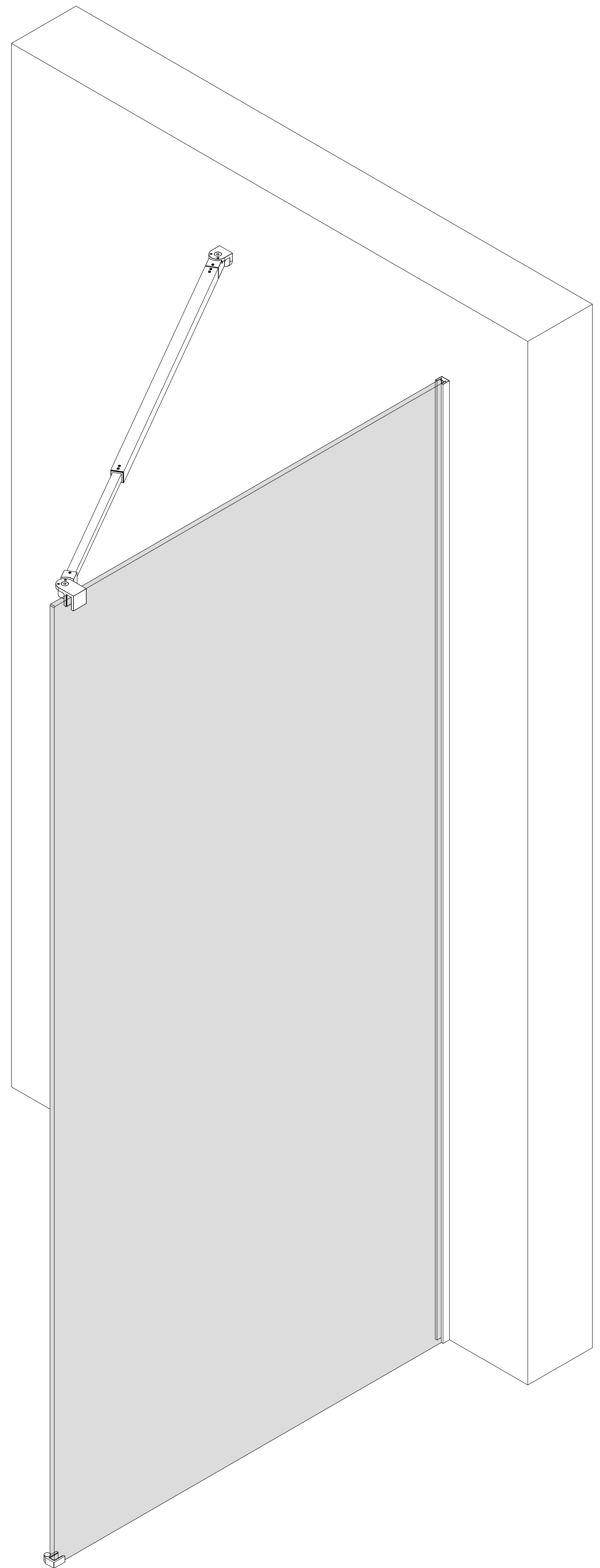
We recommend using a squeegee to dry the glass panels after each use.

Overall Installation displaying

Product can be reversibly installed.
The manual defaults to left-side wall configuration.
For right-side wall installation, mirror the setup.



Left-side Wall

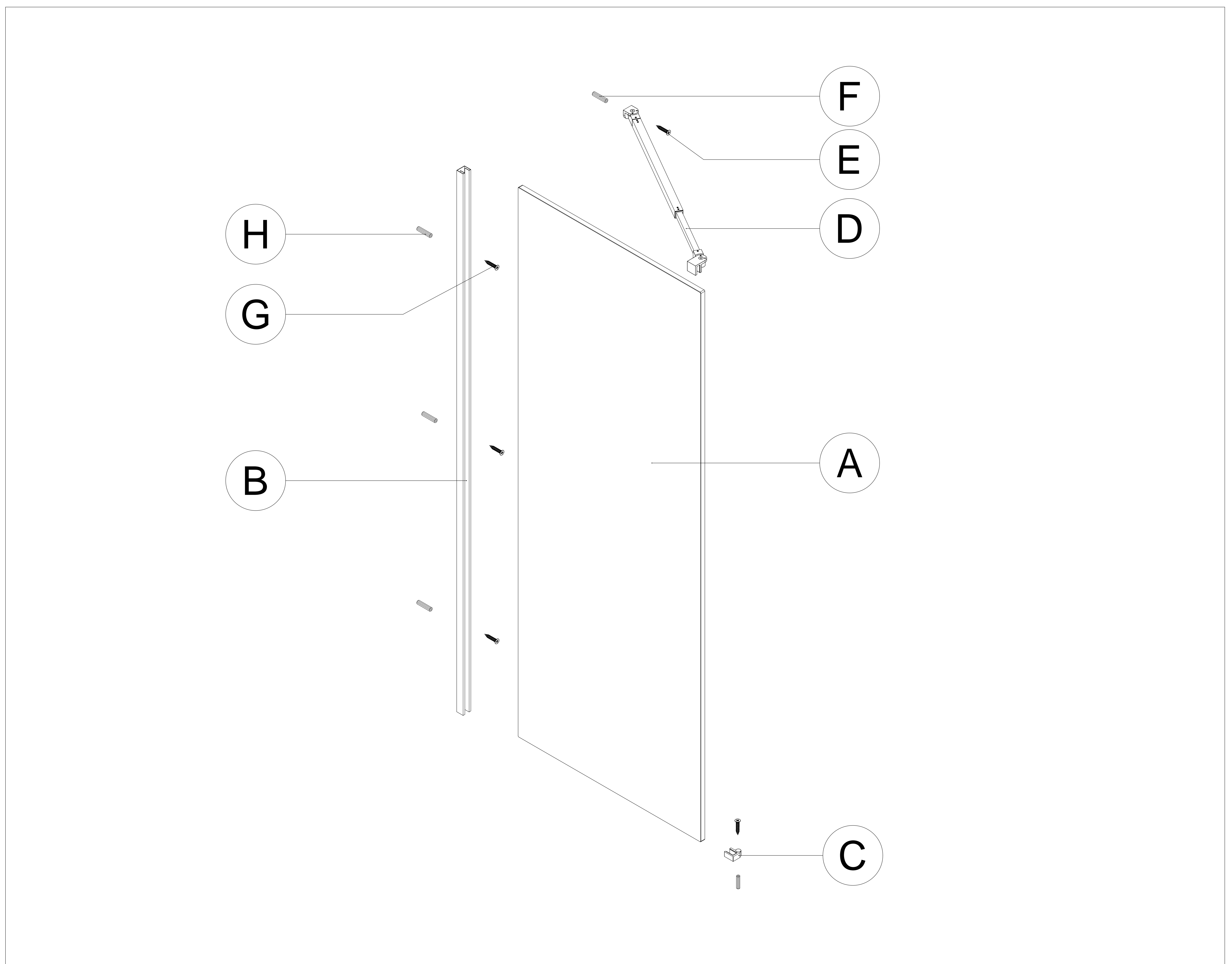


Right-side Wall

Parts And Hardware Listing

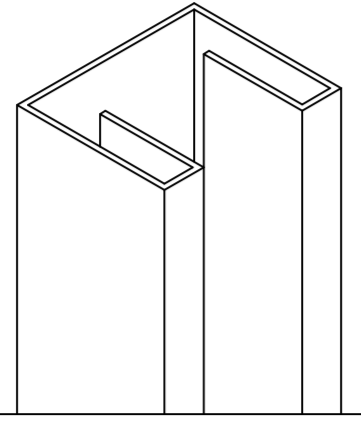
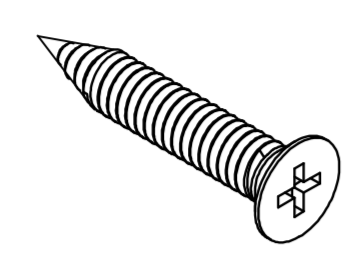
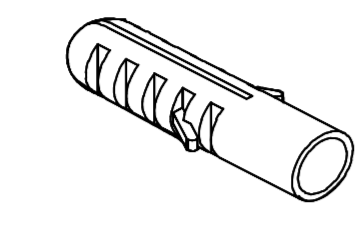
ITEM	NAME	QTY	PICTURE
Ⓐ	Fixed Glass	1	
Ⓑ	Wall Material	1	
Ⓒ	Glass Clip	1	
Ⓓ	Telescopic Pull Rod	1	
Ⓔ	Fixing Screws (5mm x 40mm)	1	
Ⓕ	Hollow Wall Plugs (8mm x 40mm)	1	
Ⓖ	Fixing Screws (4mm x 35mm)	4	
Ⓗ	Hollow Wall Plugs (6mm x 30mm)	4	

Detailed Diagram of Shower Door Components

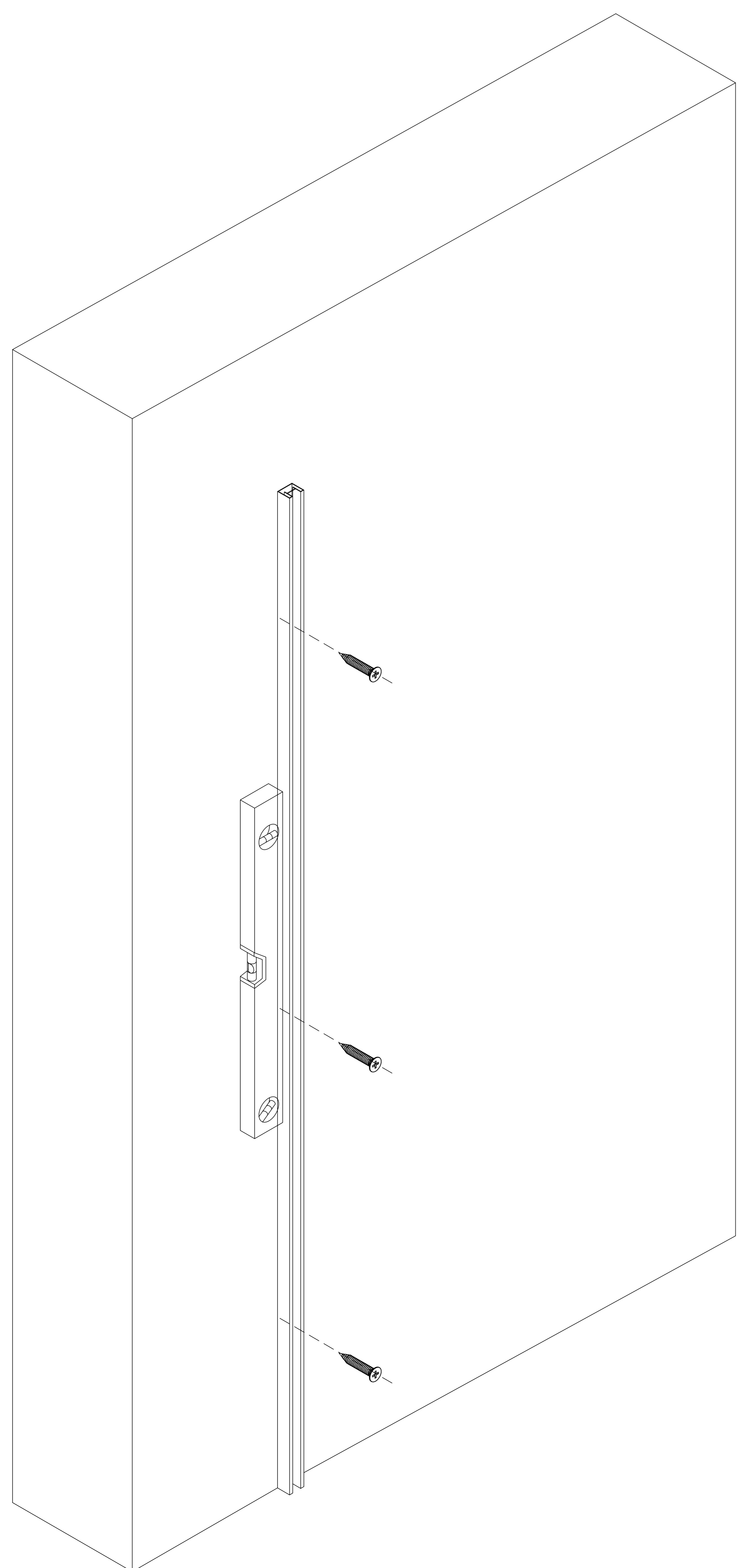


STEP 1

Install the Wall Material

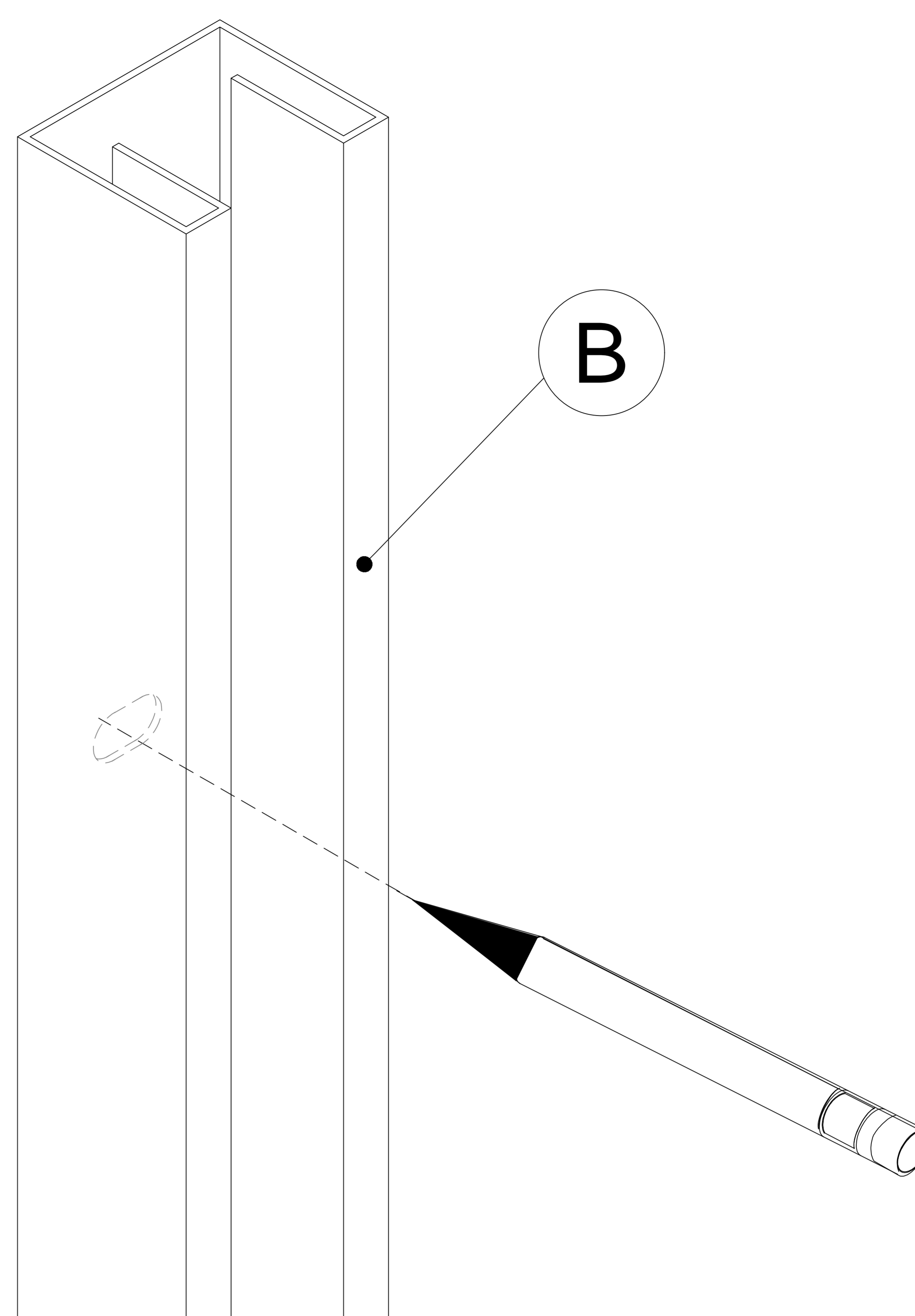
B		X1
G		X3
H		X3

Place the wall material (B) at the installation position, adjust to level, and make it perpendicular to the wall and ground.



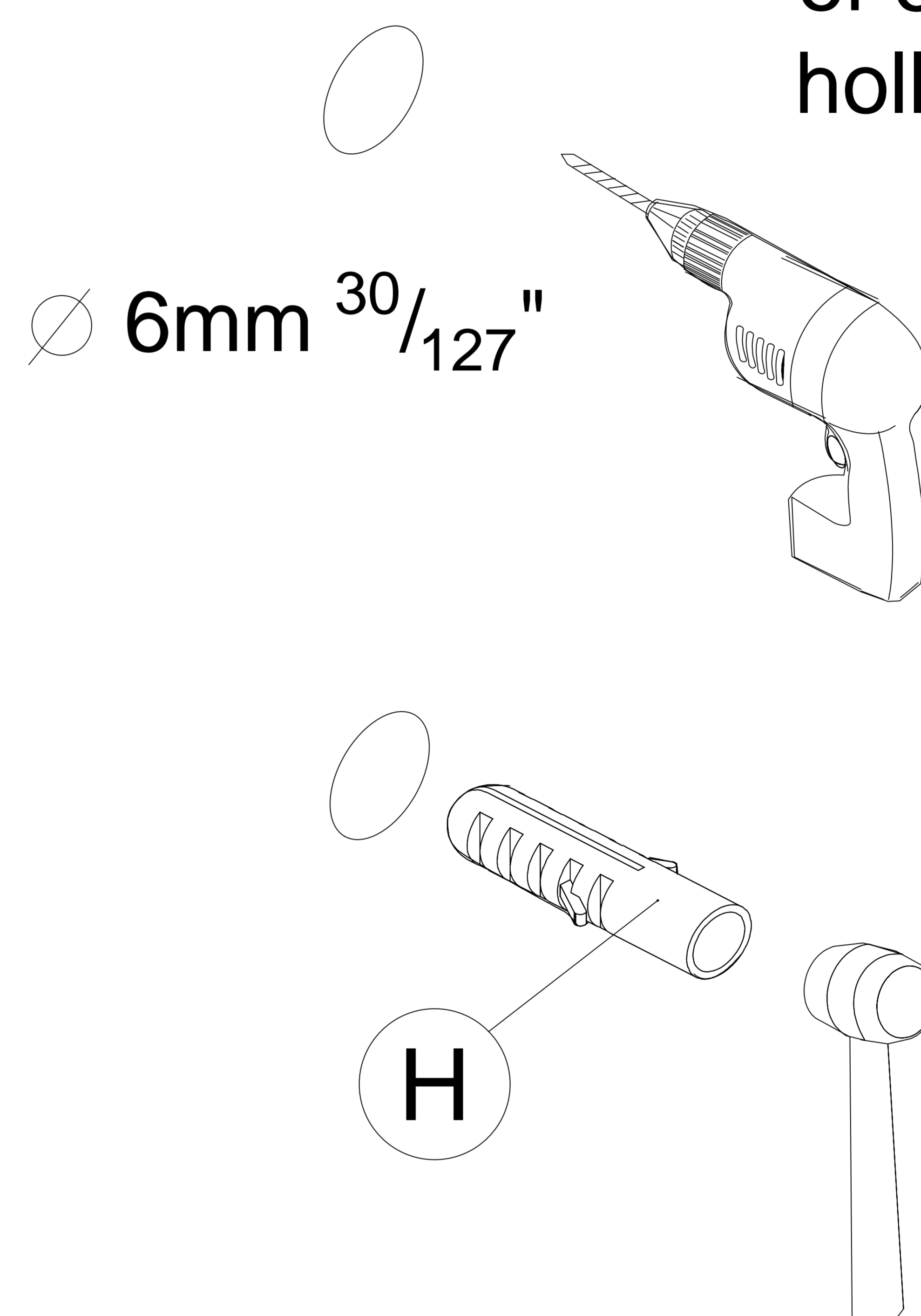
1-1

Mark the positions of the fixing holes of the wall material (B).



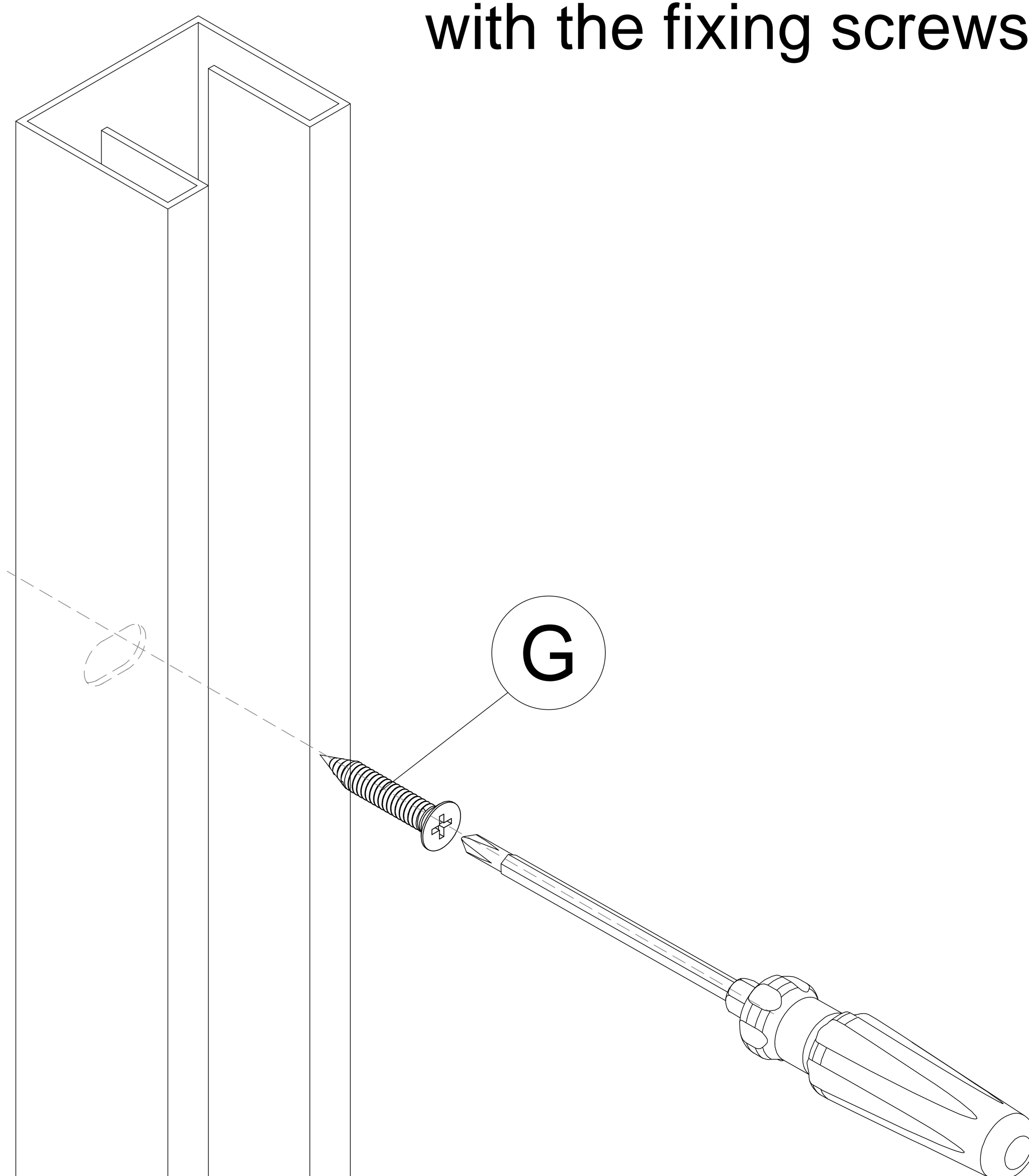
1-2

Drill holes with a diameter of 6mm, then insert the hollow wall plugs (H).



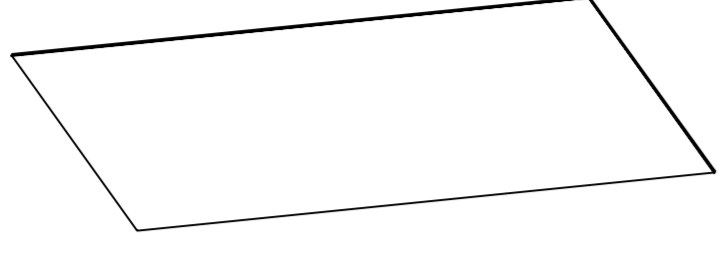
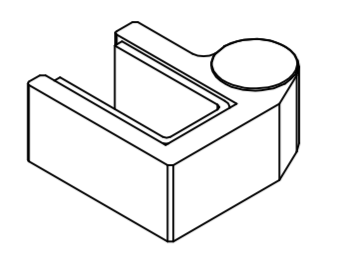
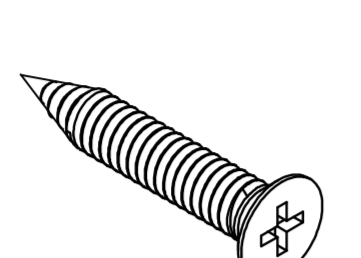
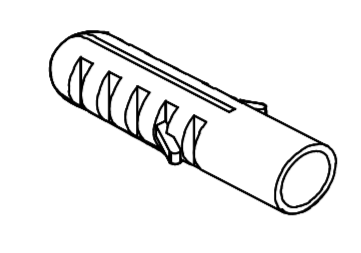
1-3

Fix the wall material (B) with the fixing screws (G).

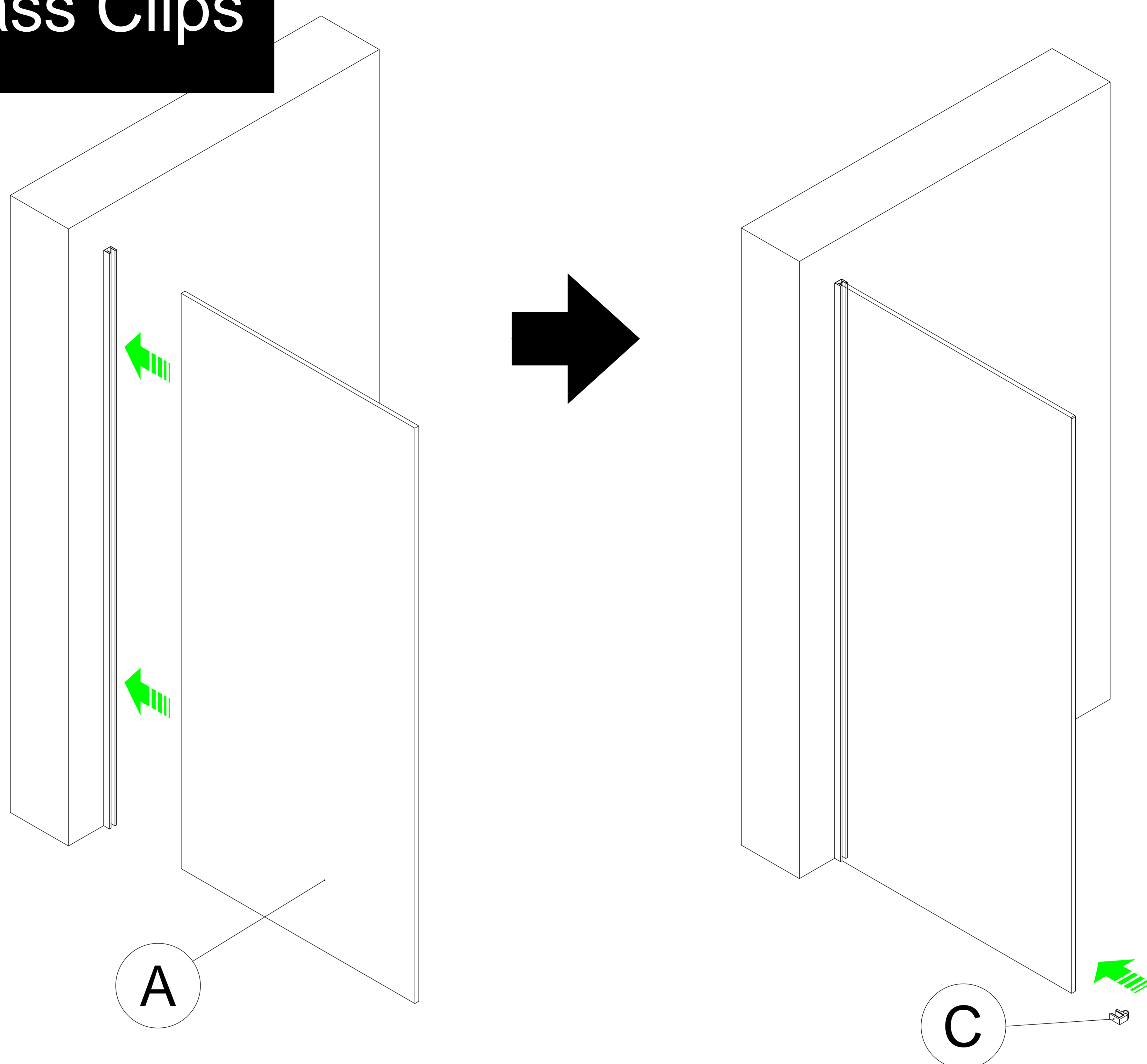


STEP 2

Install the Fixed Glass and Glass Clips

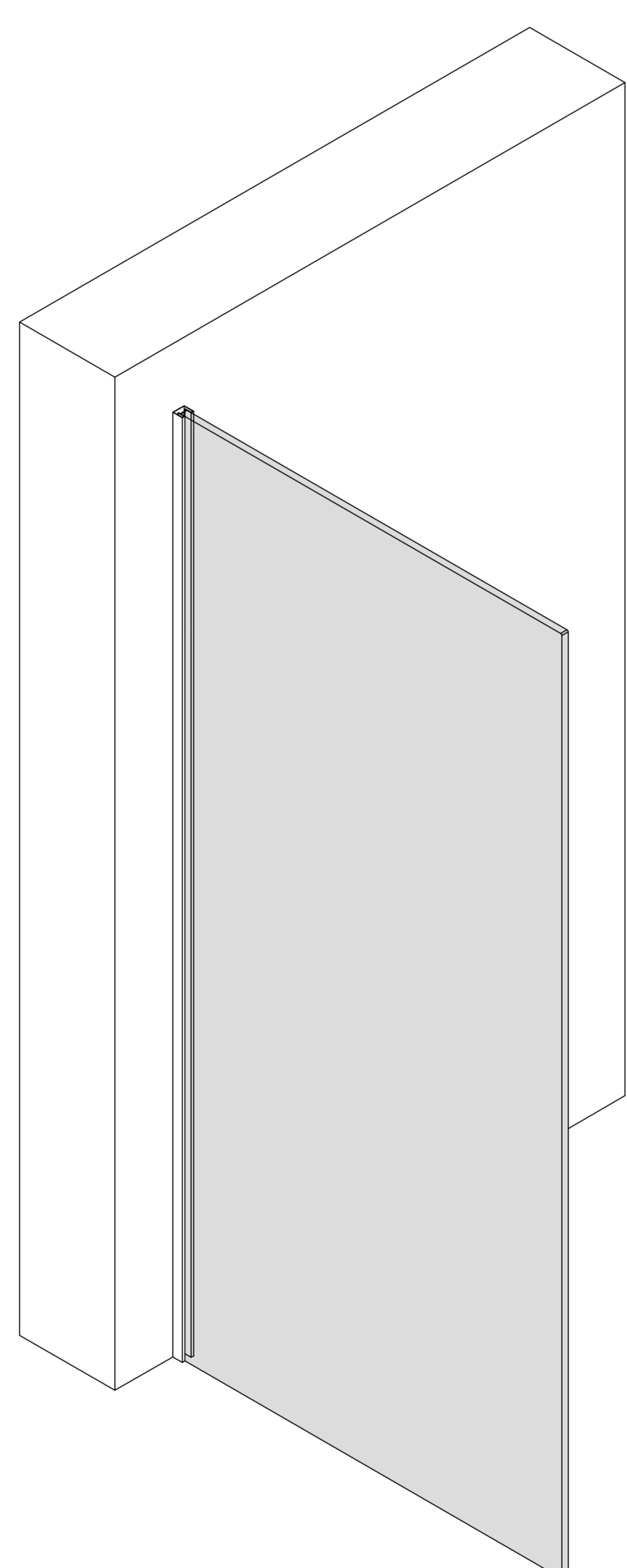
(A)		X1
(C)		X1
(H)		X1
(H)		X1

Insert the fixed glass into the wall material, adjust to be level and perpendicular to the wall and ground, then place the glass clips at the installation positions.



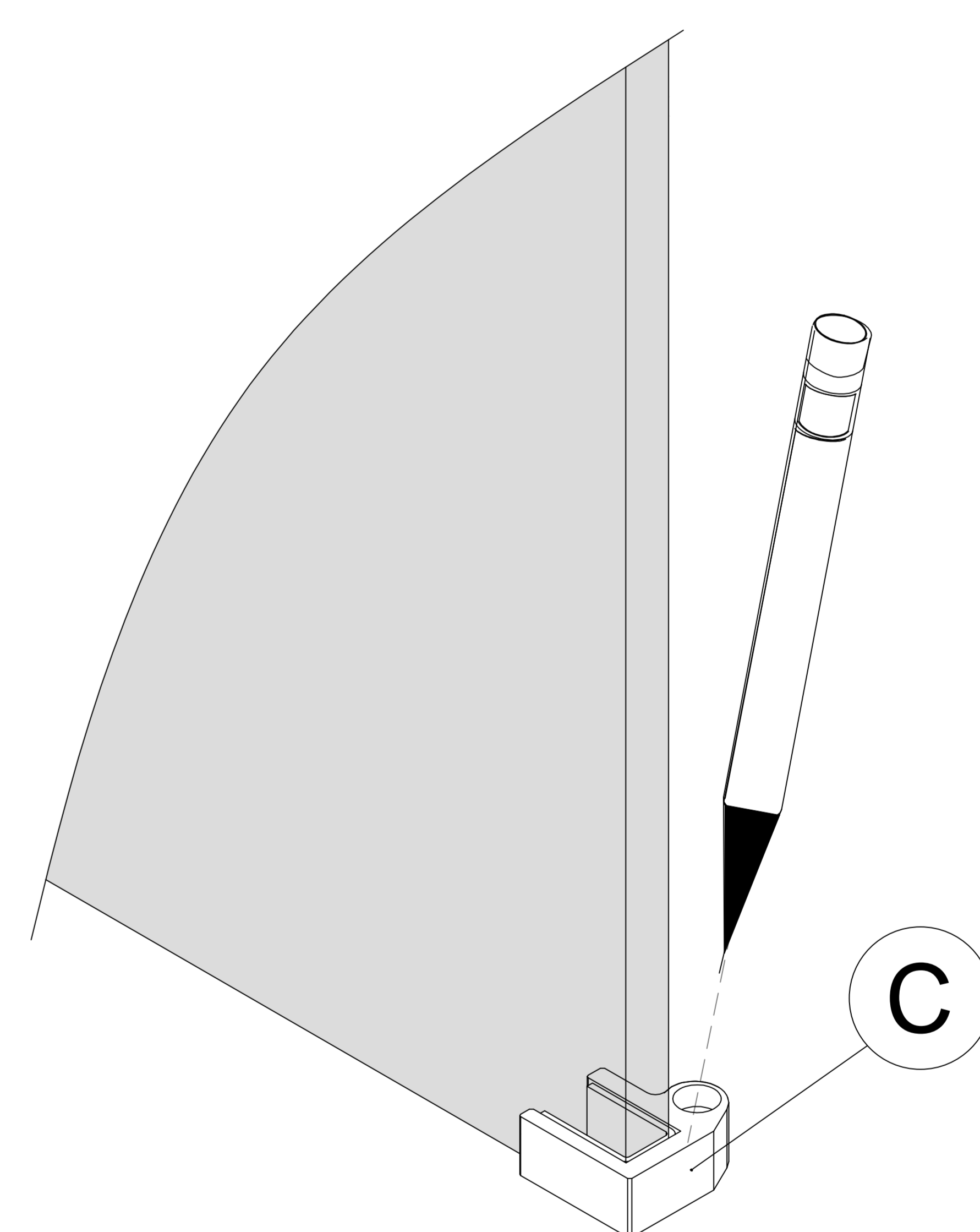
2-1

Insert the fixed glass into the wall material



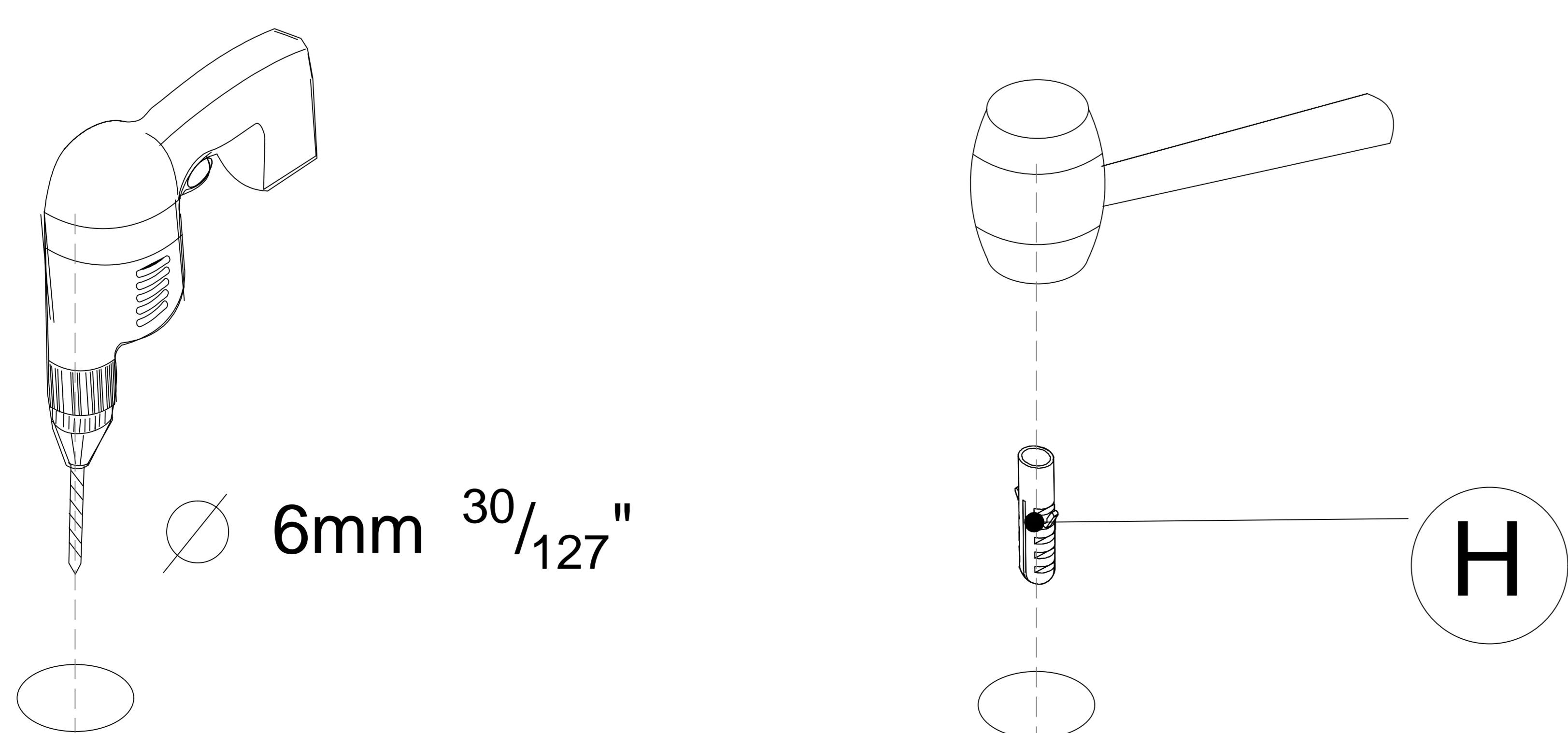
2-2

Mark the fixing holes of the glass clips.



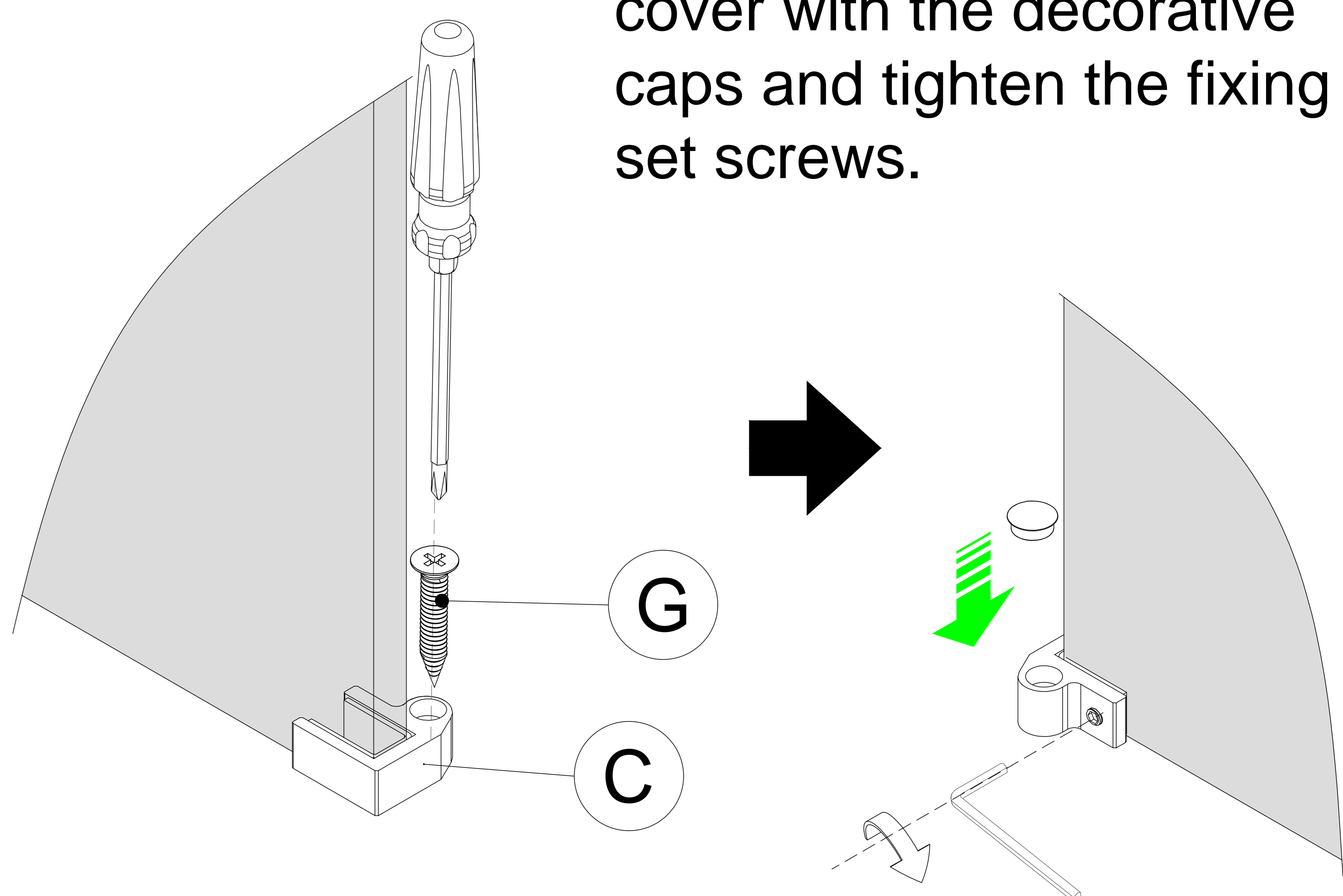
2-3

Drill holes with a diameter of 6mm, then insert the hollow wall plugs (H).



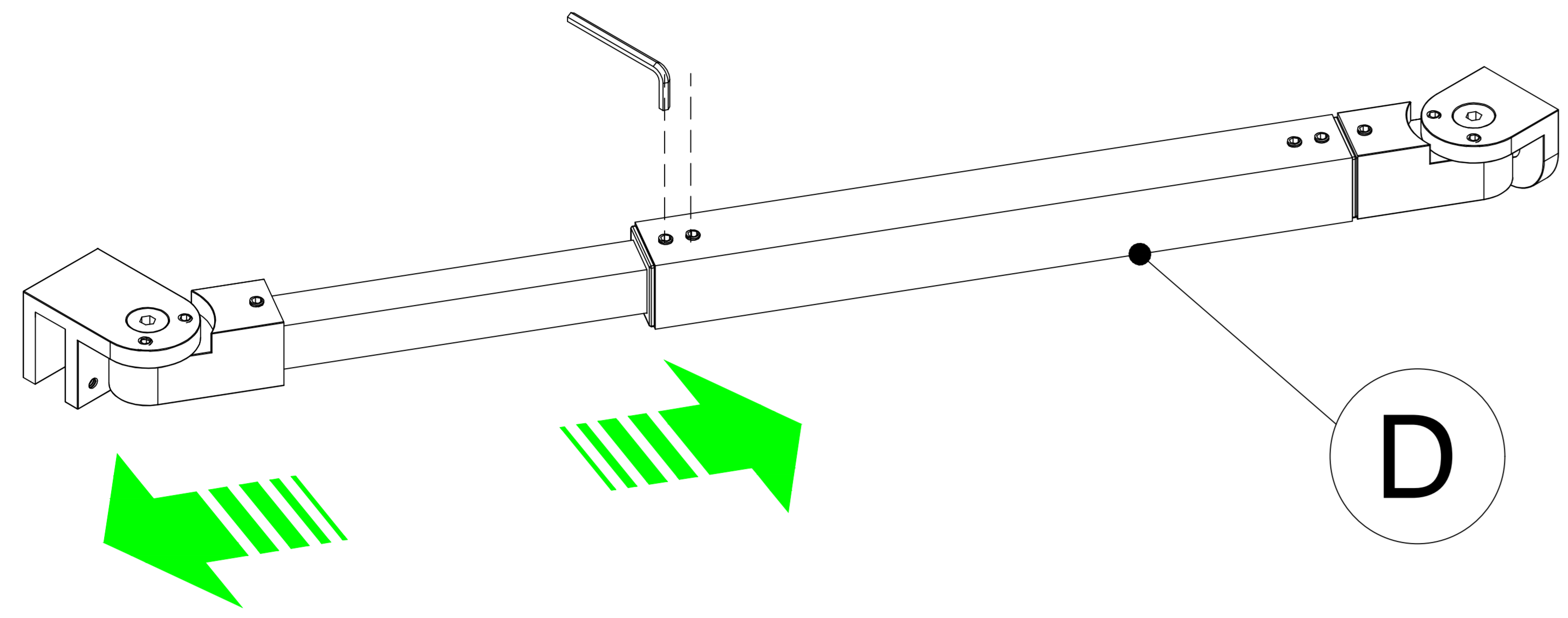
2-4

Fix the glass clips (C) with the fixing screws (G), then cover with the decorative caps and tighten the fixing set screws.

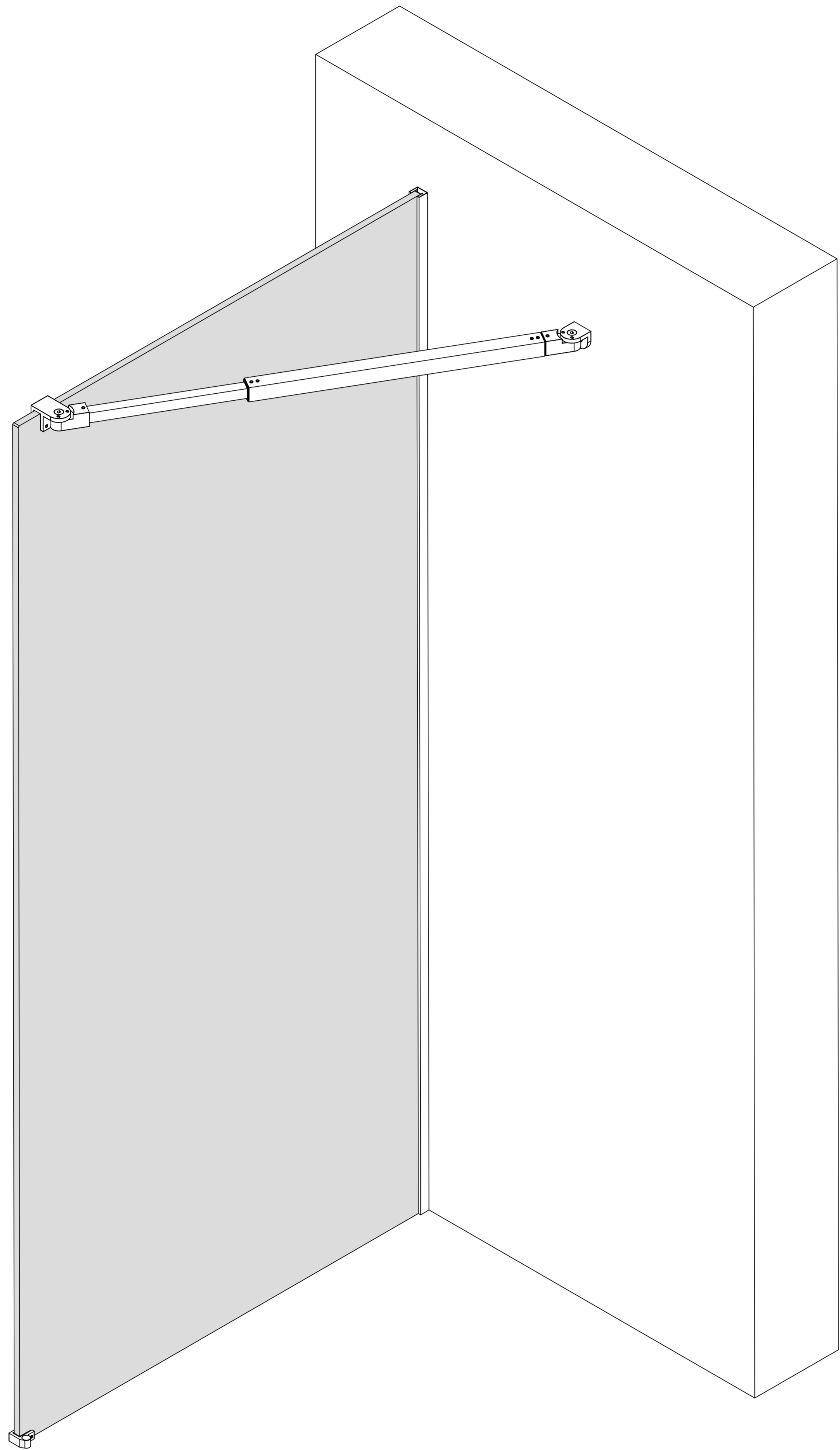
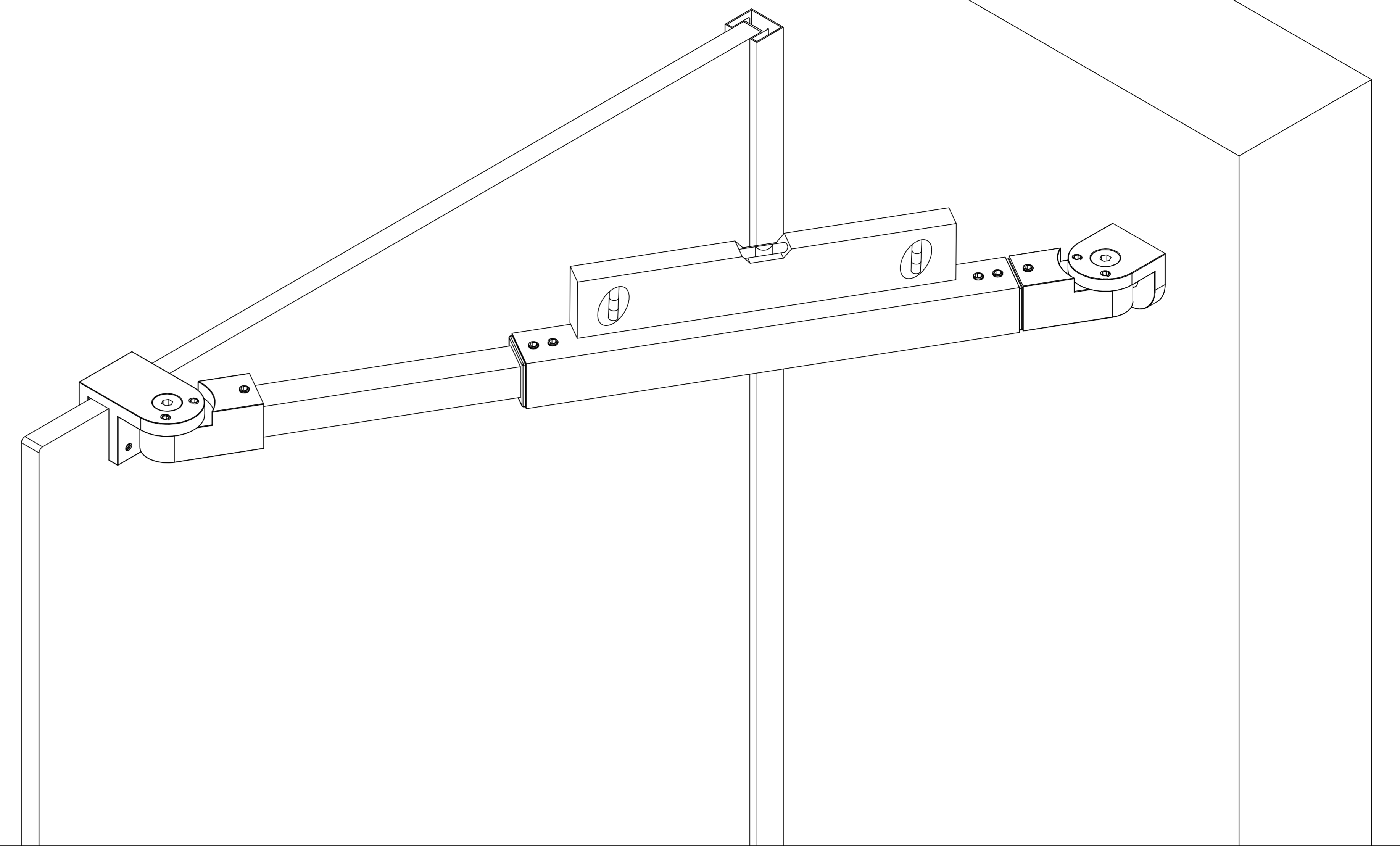


STEP 3 Install the Pull Rod

3-1

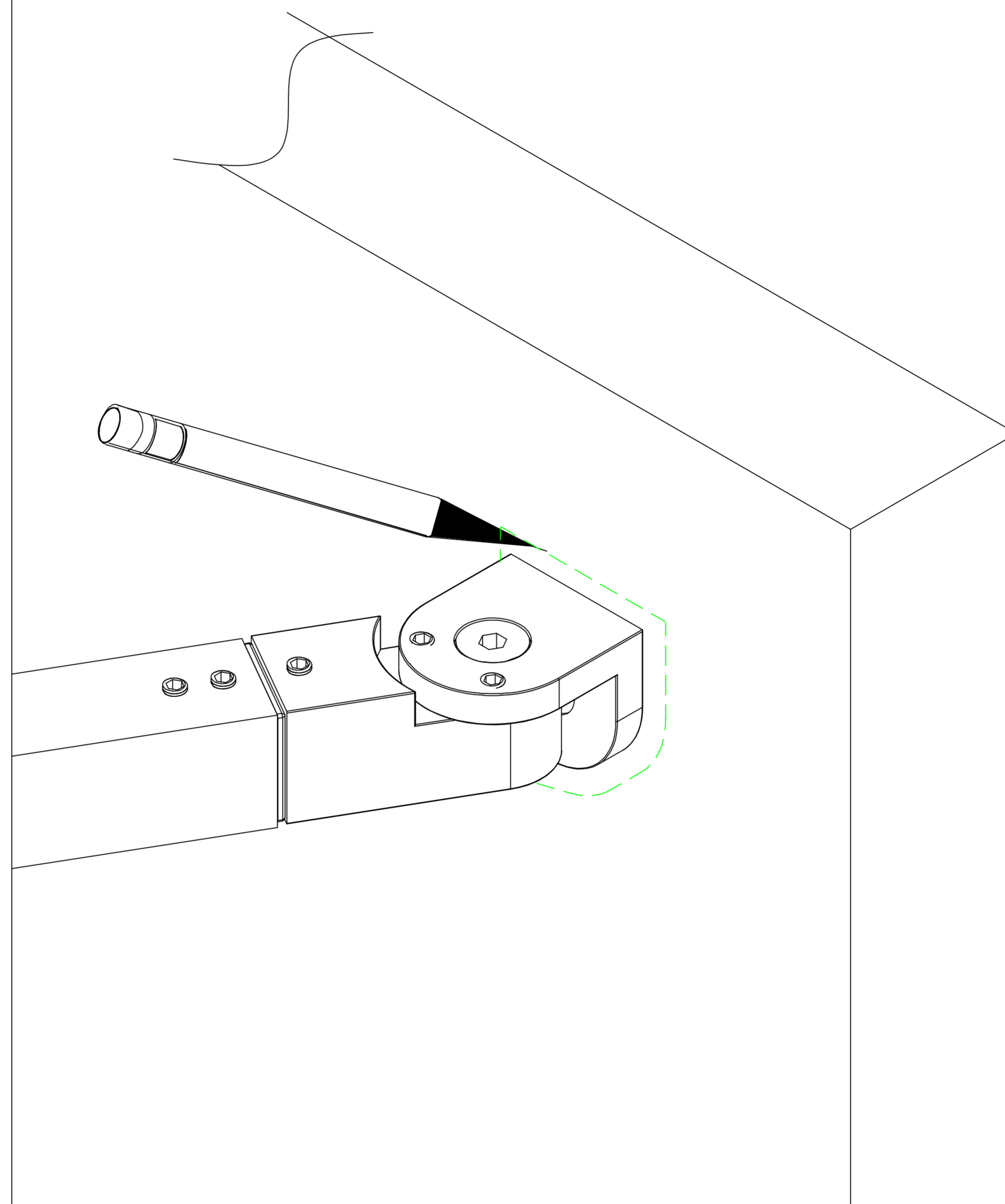


3-2

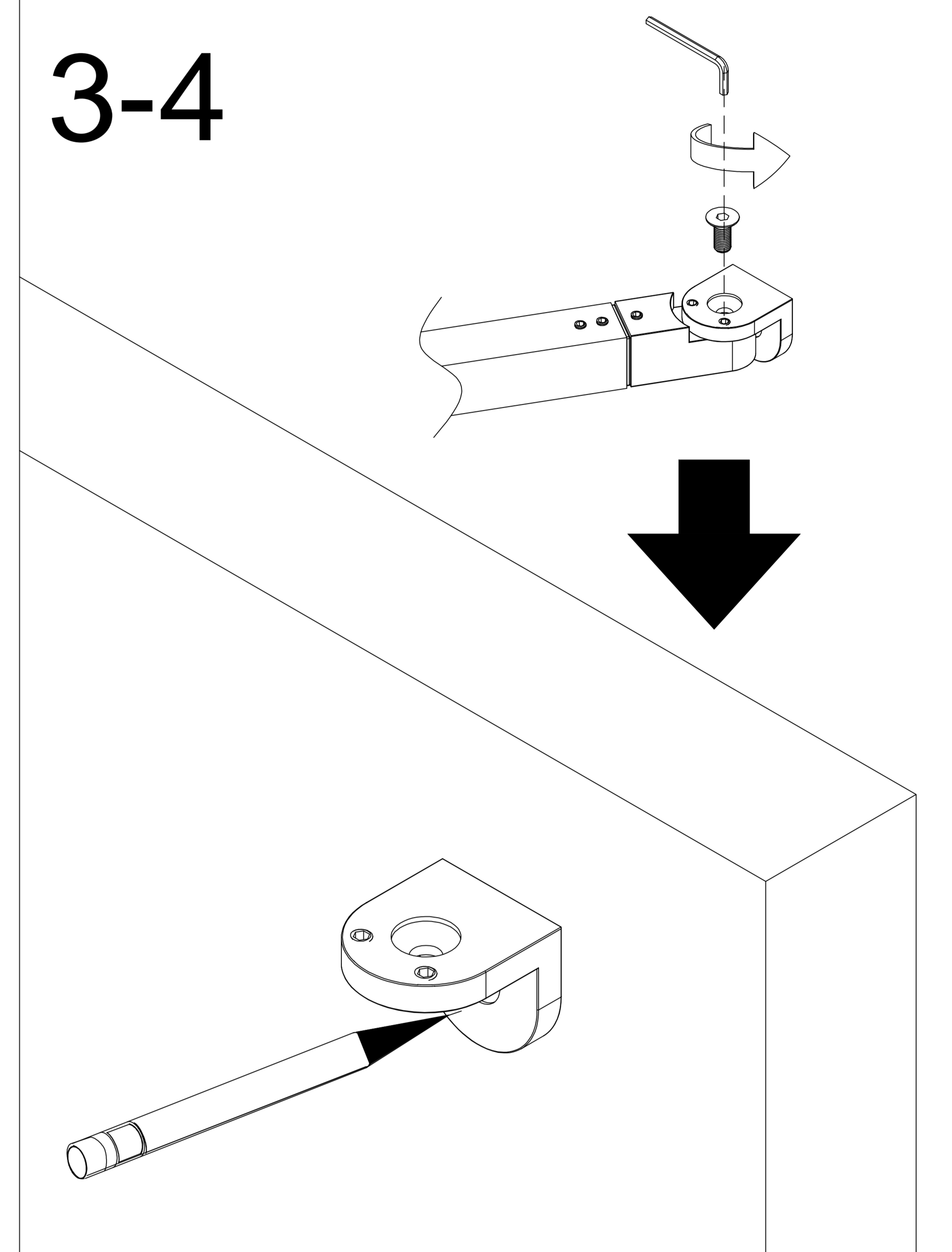


1. Adjust the telescopic pull rod to the appropriate length.
2. Place the telescopic pull rod at the installation position and adjust to level.
3. Mark the installation position.
4. Disassemble the wall lock piece, place it at the marked installation position, and mark the fixing hole positions.
5. Drill holes with a diameter of 8mm and insert the expansion plugs.
6. Fix the wall lock piece to the wall with screws.
7. Install the telescopic pull rod as shown in the figure, adjust the position and tighten all screws.

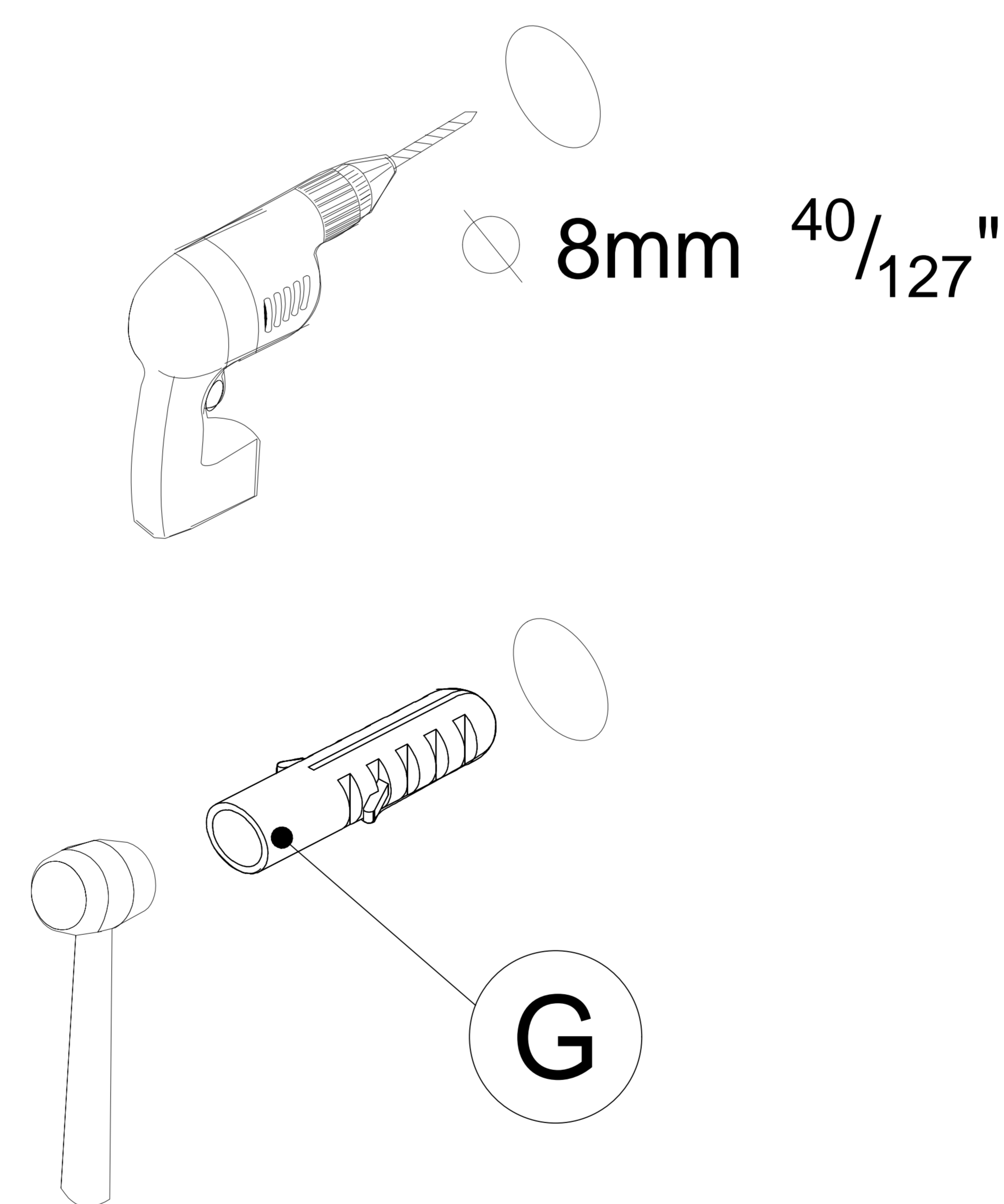
3-3



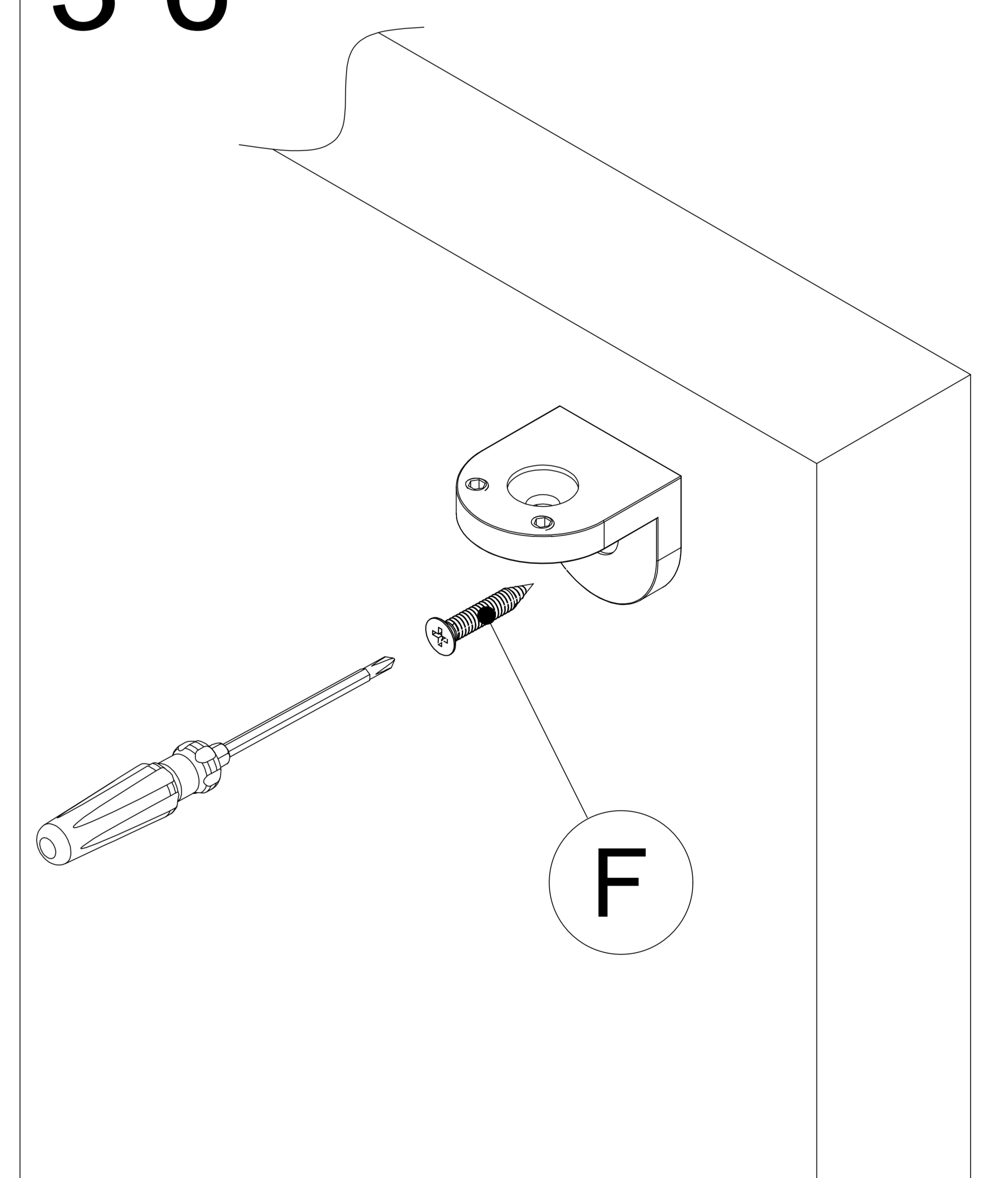
3-4



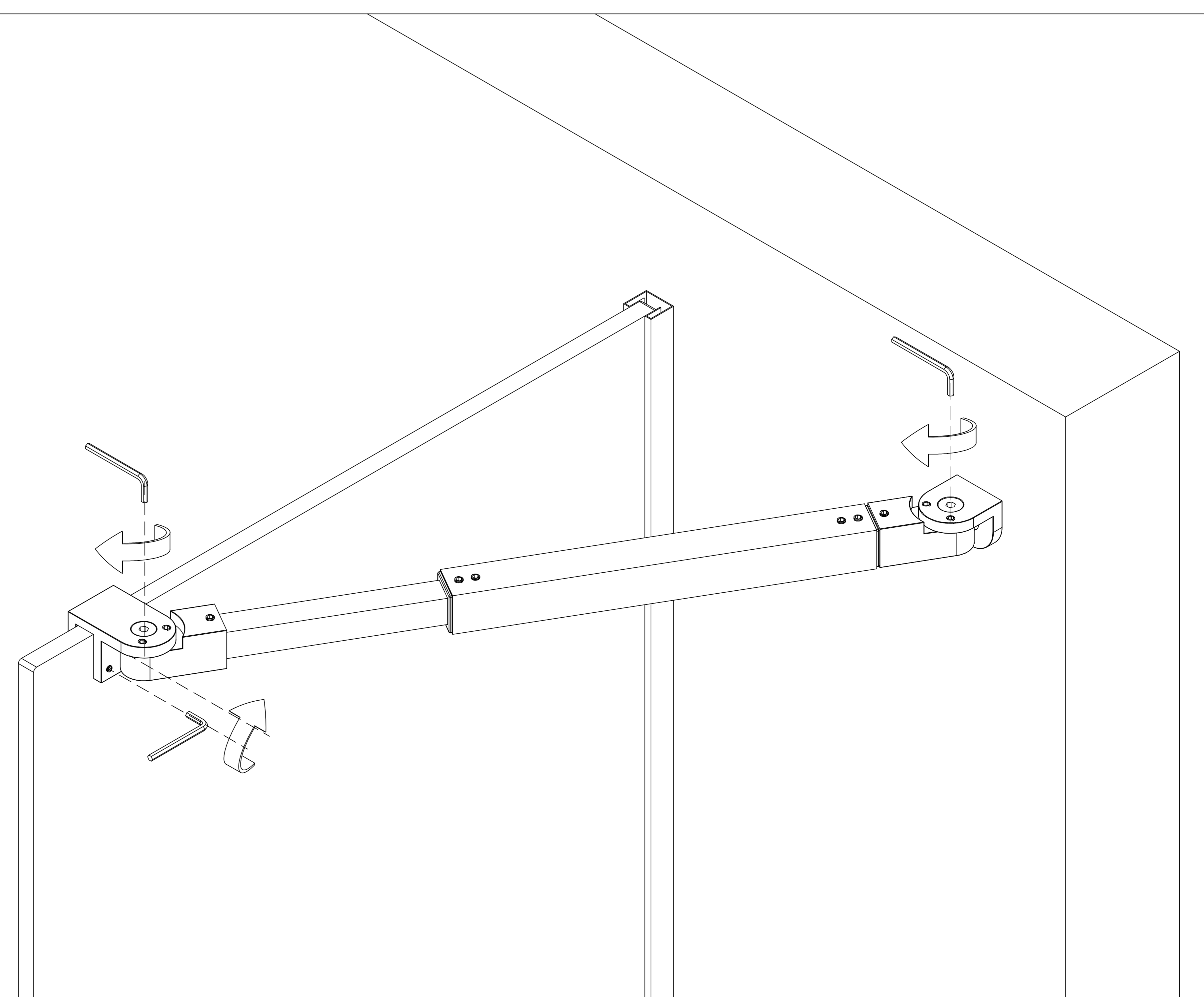
3-5



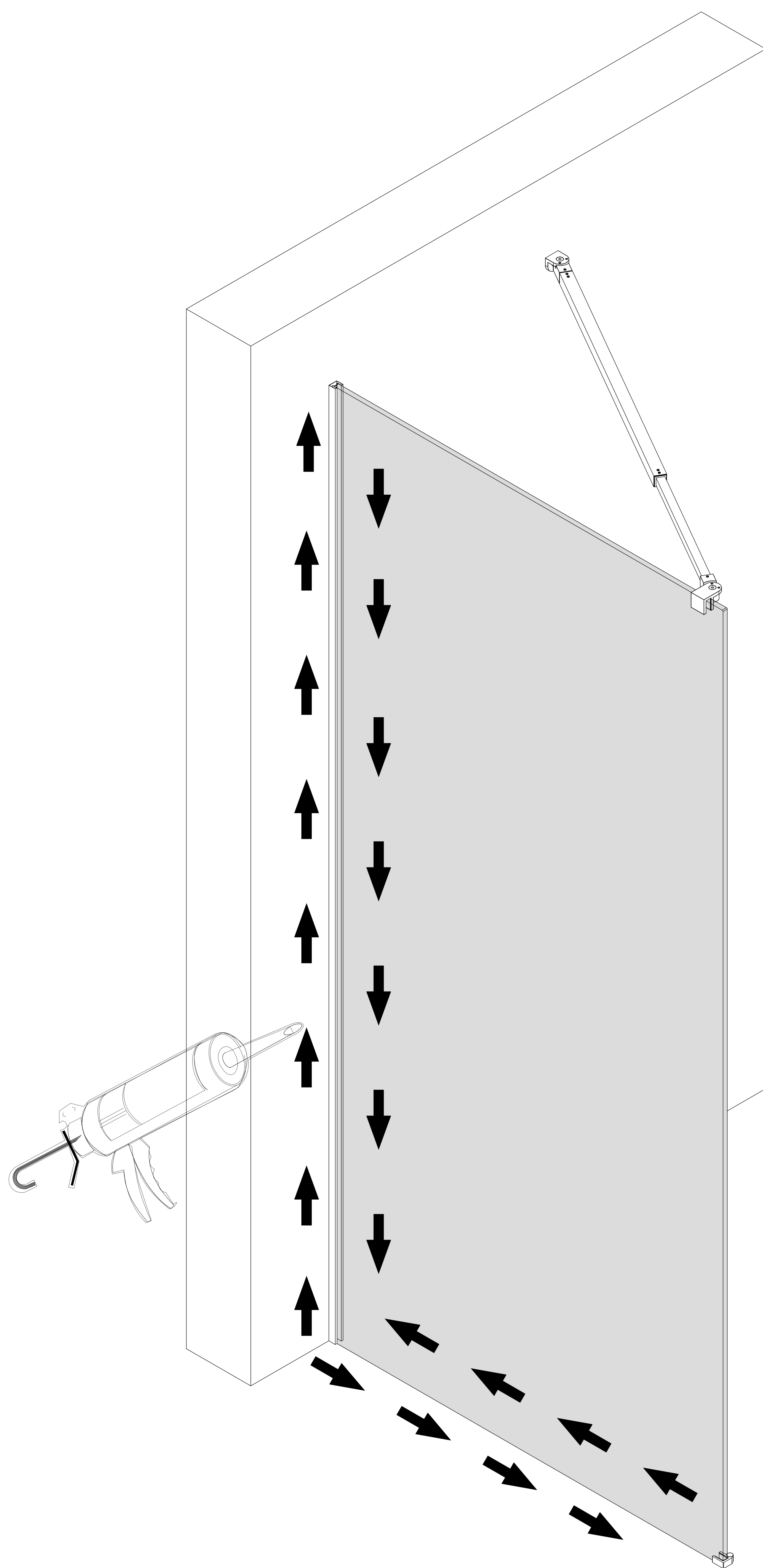
3-6



3-7



STEP 4 Sealing



NOTE

The surfaces need to be clean and free of debris before applying silicone.

NOTE

Ensure the glass panel is securely installed and properly aligned.

Apply silicone sealant along all edges where the glass meets the wall and floor.



24



Allow 24 hours for the silicone to cure before using the shower.