

# ASSEMBLY INSTRUCTIONS

## Loveseat

ASSEMBLY  
REQUIREMENTS

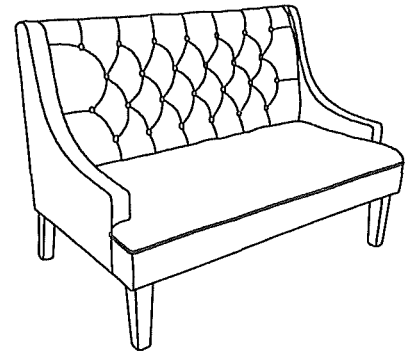
1-Person  
Assembly

45 Minutes  
Assembly Time  
(Approximate)

### Thank you for purchasing our product!

Please refer and use this assembly instruction to assemble the product. Contact our customer service department in case there are any missing or damage parts or hardware. Replacement parts are normally shipped within 2 or 3 days.

We appreciate your business!



### ASSEMBLY PREPARATION

1. Remove all packaging materials, staples and packing straps from the carton.
2. Refer to Parts List and Hardware List, and ensure parts and hardware are correct before assembly. Contact customer service for missing parts.
3. Place all wooden parts on a clean, flat and soft surface (e.g. carpet or rug) to prevent scratch and damage to parts.

### SAFETY PRECAUTION

1. KEEP ALL HARDWARE PARTS OUT OF REACH OF CHILDREN.
2. DISPOSE PLASTIC PACKAGING MATERIAL IMMEDIATELY TO AVOID ANY RISK OF SUFFOCATION TO CHILDREN AND ANIMALS.

### TIPS FOR ASSEMBLY

1. Allow ample room for assembly and in close proximity to where product will be placed.
2. Assemble the product on a surface that does not scratch or damage the exterior gloss and finish of the furniture.
3. Identify all of the parts, hardware and quantities required for each step.
4. During assembly, do not over-tighten any fittings as this may cause damage.
5. DO NOT USE POWER TOOLS TO ASSEMBLE THIS PRODUCT.
6. Always place the product on a flat, level surface.
7. Do not sit or stand on the partially assembled product; only use the product for which it is intended.

### CARE AND MAINTENANCE

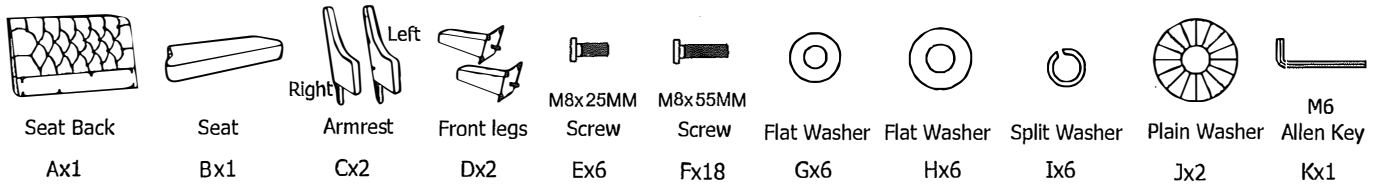
- Use a slightly damp cloth to clean the product. Do not use bleach or abrasive cleaning material.
- Check all the fittings periodically and re-tighten as necessary. Do not use the product if any of the parts is damaged or broken.
- Never allow any kind of liquid to remain on your furniture. Absorption can cause wood to warp or delaminate.
- Do not place hot items (e.g. hot drinks) directly onto the wood surface.
- Do not drag and/or pull the furniture.

This product is for indoor and household use only - not for commercial use.

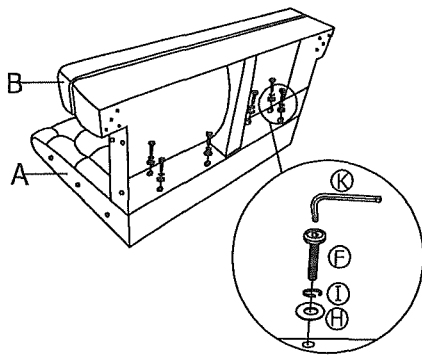
# ASSEMBLY INSTRUCTIONS

## Loveseat

### PARTS AND HARDWARE

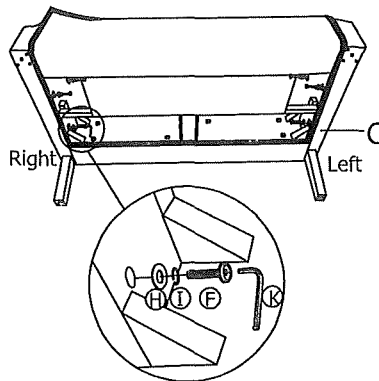


#### STEP 1



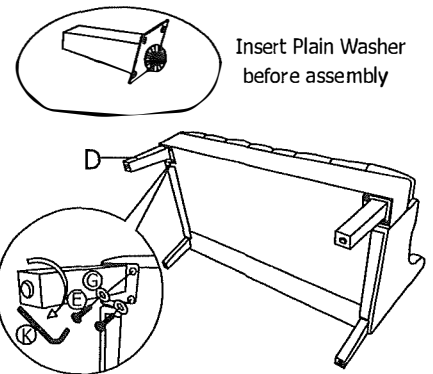
- a) Lay Seat Back (A) flat on its back.
- b) Position Seat (B) on top of (A) and align screw holes on both parts.
- c) Use Screw (F) fitted with Split Washer (I) and Flat Washer (H) to fasten (B) to (A). Use Allen Key (K) to drive (F). Tighten (F) until just snug - do not tighten (F) fully at this time.

#### STEP 2



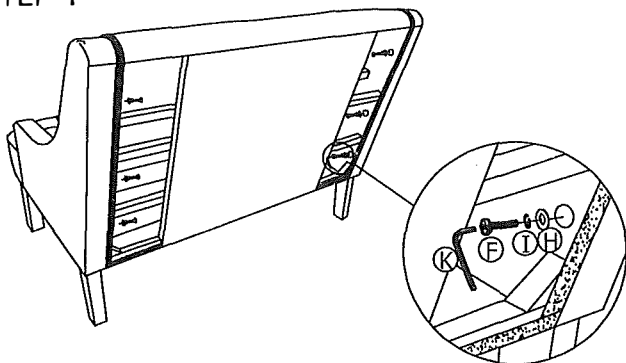
- a) Position Left & Right Armrest (C) on the respective side of Seat and Seat Back and align the screw holes on each part.
- b) Use Screw (F) fitted with Split Washer (I) and Flat Washer (H) to fasten Armrest to Seat. Use Allen Key (K) to drive (F). Tighten (F) until just snug - do not tighten (F) fully at this time.

#### STEP 3



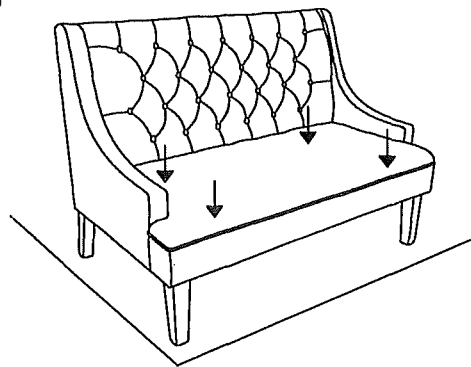
- a) Attach Plain Washer (J) to Leg (D) and then attach (D) to front corner of Seat. Check that leg is angled outward.
- b) Use Screw (E) fitted with Flat Washer (H) to fasten (D) to Seat. Use Allen Key (K) to drive (E). Tighten (E) until just snug - do not tighten (E) fully at this time.

#### STEP 4



- a) Set the love seat right side up
- b) Use Screw (F) fitted with Split Washer (I) and Flat Washer (H) to fasten Left & Right Armrest C to Seat Back (A). Use Allen Key (K) to drive (F). Tighten (F) until just snug - do not tighten (F) fully at this time.

#### STEP 5



- a) Check that the loveseat is balanced and even by applying pressure at the areas indicated.
- b) Tighten all of the screws in each STEP completely at this time.
- c) The assembly of the loveseat is complete.