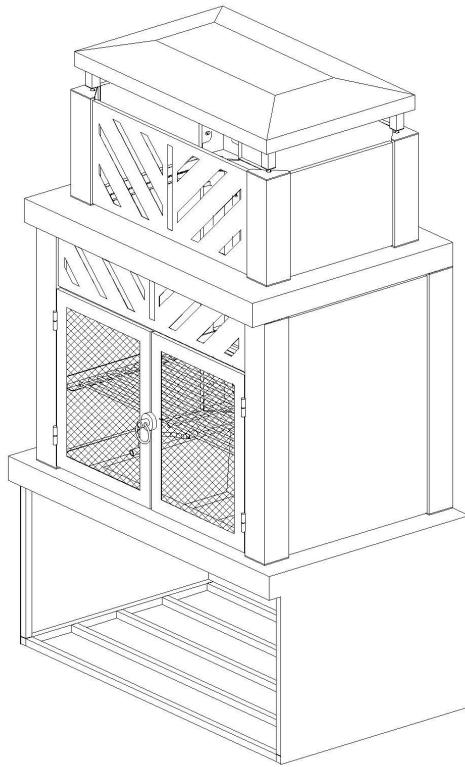


INSTRUCTION MANUAL



OUTDOOR WOOD-BURNING FIRE PIT

IF YOU PURCHASED THE PRODUCT ONLINE AND HAVE
ANY QUESTIONS OR CONCERNS
PLEASE CONTACT US VIA EMAIL, TEXT, OR PHONE

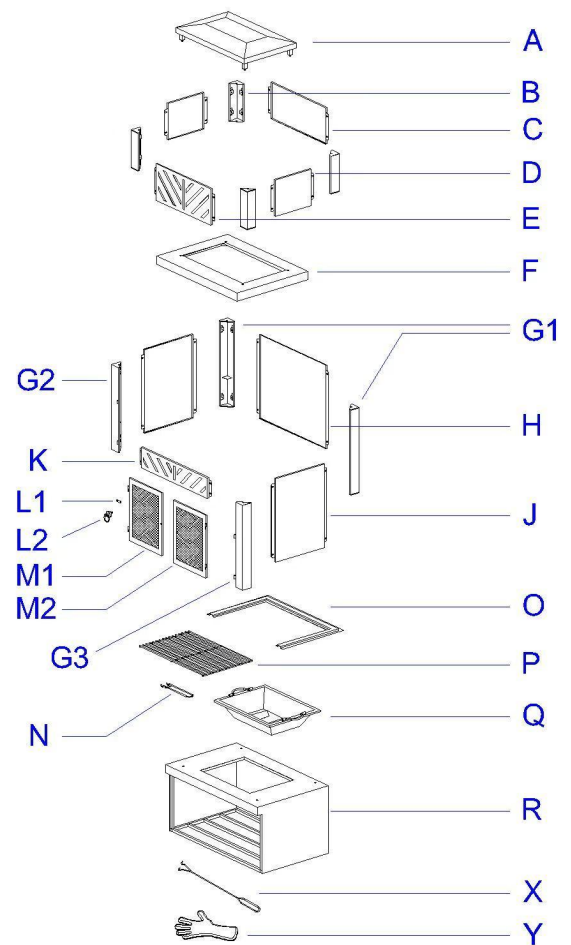
Manufacture Date Code: 25W43

PREPARATION




Before beginning assembly of product, make sure all parts are present. Compare parts with package contents list and hardware contents above. If any part is missing or damaged, do not attempt to assemble the product. Contact customer service for replacement parts.

PACKAGE CONTENTS

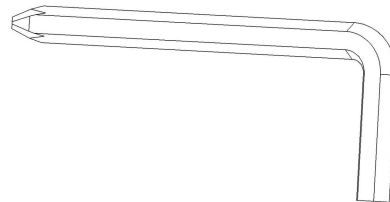
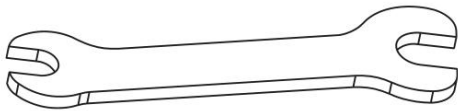
PART	DESCRIPTION	QUANTITY
A	Chimney Cover	1
B	Upright column	4
C	Back panel	1
D	Side panel	2
E	Chimney decoration	1
F	Stove body cover	1
G1	Back upright column	2
G2	Left upright column	1
G3	Right upright column	1
H	Back panel	1
J	Side panel	2
K	Body decoration	1
L1	Door handle lock	1
L2	Door handle	1
M1	Door screen panel (Left)	1
M2	Door screen panel (right)	1
N	Cooking grill clip	1
O	Grill rack	1
P	Cooking grill	1
Q	Bowl	1
R	Base	1
X	Poker	1
Y	BBQ gloves	1



HARDWARE KITS

S1 M6*12	44	
S2 M6	2	
S3 M6	1	

Tools Required for Assembly: M6 Wrench (Included) and Phillips Screwdriver (Included)



Estimated Assembly Time: 30 minutes.

Please note!

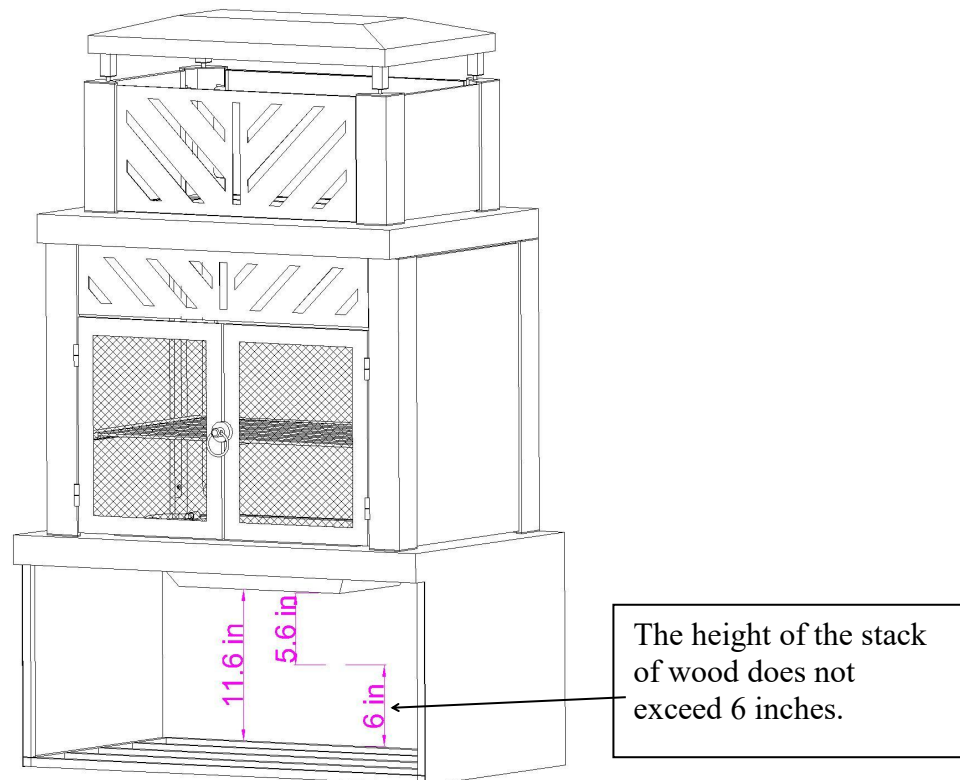
1. When using the baking rack, please ensure it is used in a charcoal fire environment. During the cleaning process, do not use steel wool as it may damage the surface electroplating layer.
2. This barbecue glove has anti-slip function, and its ultra-high-strength aramid fibers have the properties of heat resistance, anti-cutting and resistance to acids and alkalis. Its immediate heat resistance can reach 1472°F, but it should be noted that all heat-resistant materials have their limitations. Do not use directly on open flames and avoid prolonged exposure to high temperatures to prevent burns.
3. For the daily cleaning of the barbecue glove, do not use abrasive cleaners or steel wool as this will damage the surface of the glove. Also, do not soak the glove in water for a long time.

SAFETY INFORMATION

Please read and understand this entire manual before attempting to assemble, operate or install the product.

WARNINGS:

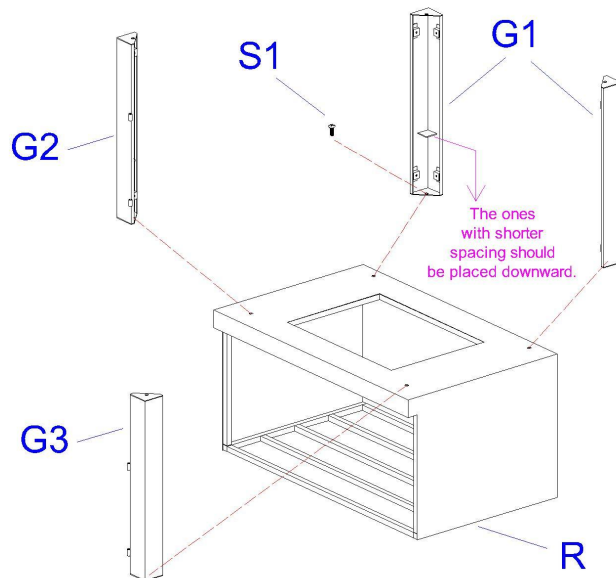
- This fire bowl is intended for outdoor use only. **Do not** use on wooden decks.
- This fire bowl is intended to burn wood logs only. **Do not** burn coal, leaves, or other combustible materials in the fire bowl.
- Not for use by children. Keep children and pets away from the fire bowl.
- The fire bowl is hot. Use with caution. **Do not** touch the hot fire bowl with bare hands.
- Never leave the burning fire bowl unattended, and always extinguish the fire completely before leaving the fire bowl.
- **Do not** use near flammable or combustible objects or materials.
- When the fire bowl is in use, the handle on the mesh screen can reach extreme temperatures that can cause serious injury to an unprotected hand. Use a poker or an appropriate heat resistant glove or pad when handling.
- Check local fire regulations and municipal by-laws for safe use.
- Some parts may contain sharp edges—especially as noted in the manual. Wear protective gloves if necessary.
- The metal may become very hot during and after use. **Do not** touch the metal or try to move the unit while hot.
Keep children away from the unit while in use until the fire is extinguished and the metal has cooled.
- **Do not** use on a wooden surface, or on grass, near walls or flammable articles, or under overhead coverings.
- Keep at least 2 feet away from all other articles during use.
- Use only the fuel type(s) specified in the instructions. Using other fuel types is dangerous and could cause injury.



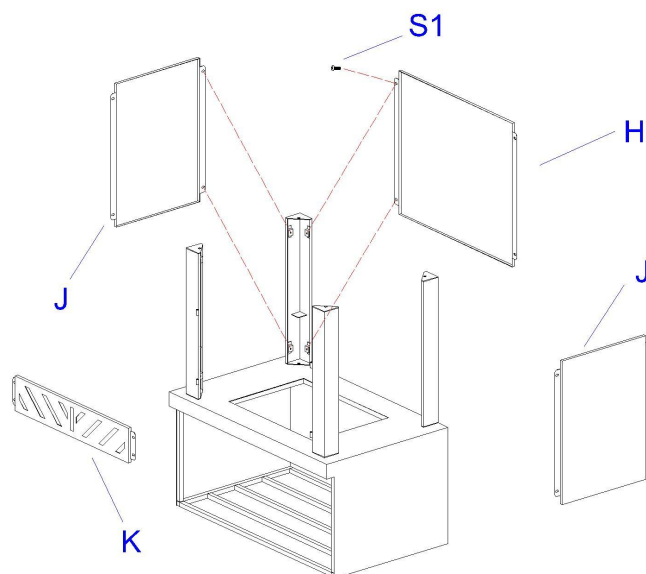
ASSEMBLY STEPS

Step1: Please pay attention to the instructions in the illustration.

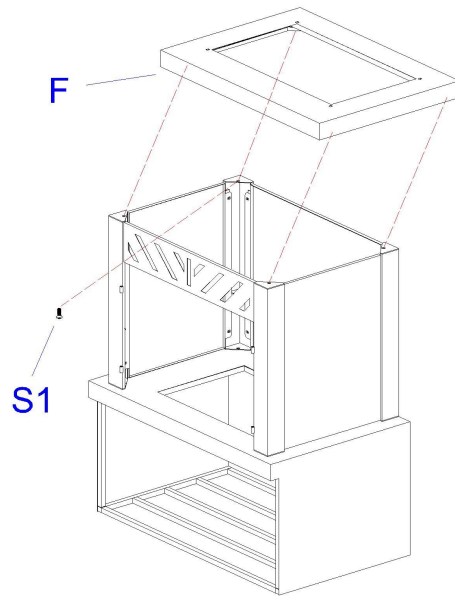
1. G2 + G3 are to be assembled into the door, with the latch hole facing upwards.
2. The direction of the G1 component should be in accordance with the picture prompt and not be installed in reverse.
3. Please do not tighten the screws for now.



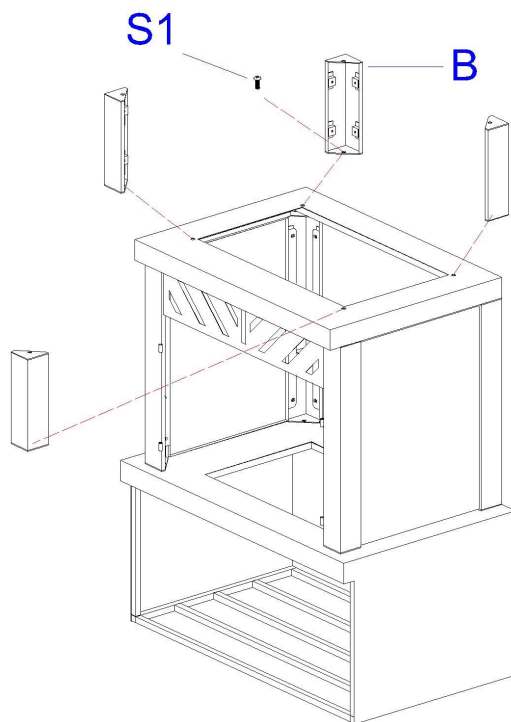
Step2: When assembling the J/H/K components, please do not tighten the screws. Pay attention to the direction of the K component. (Installing it in reverse does not affect usage. The difference is that it is symmetrical to the direction of the E component.)



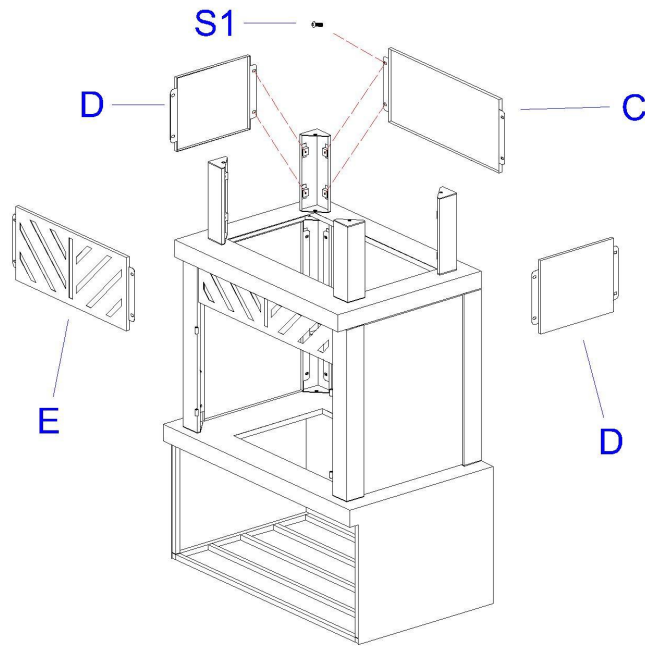
Step3: After the F component is assembled, all the screws of the product can be tightened first.



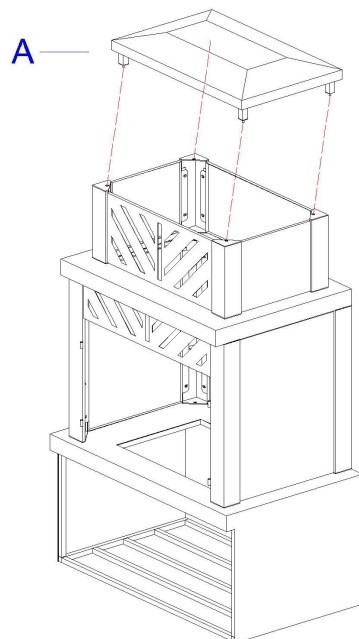
Step4: For the assembly of component B, please do not tighten the screws yet.



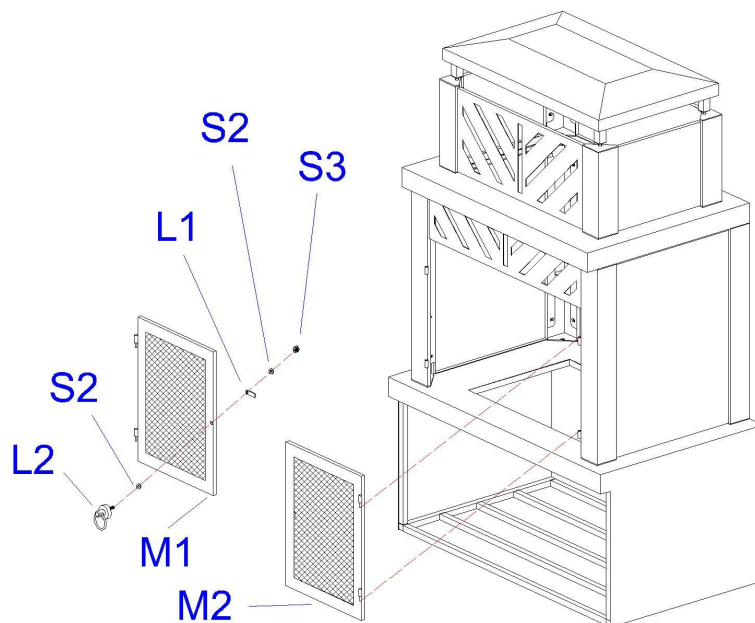
Step5: After assembling the D/C/E components, all the screws can be tightened. Pay attention to the orientation of the pattern on the E component.



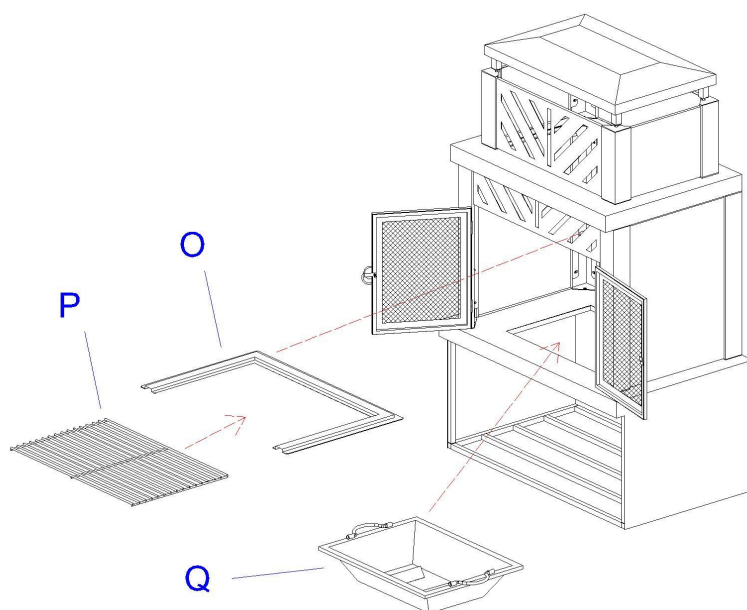
Step6: Insert the plug of component A into the hole.



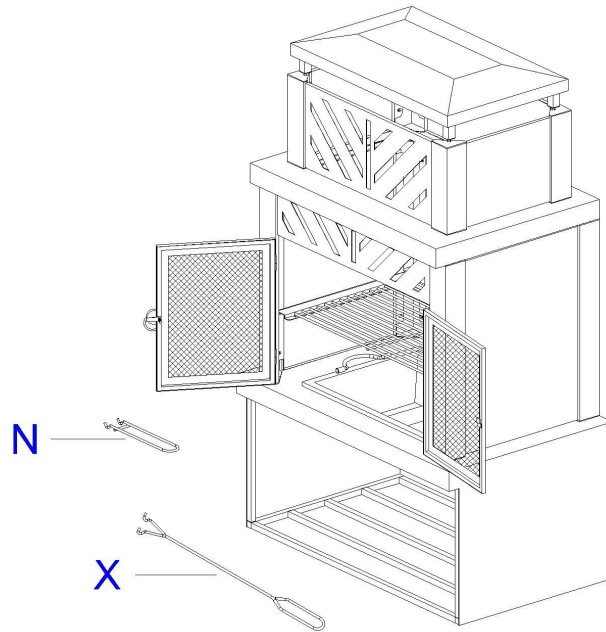
Step7: Refer to the illustration. First, assemble L1 + L2 onto M1. Then, insert M1/M2 into the door frame latch hole.



Step8: First, place Q into the firebox. Then, put the O component on the door post, and finally place the P component on the O component. Please note that the O component is a cooking rack support, and it can be placed inside the fireplace without the need for disassembly or assembly.

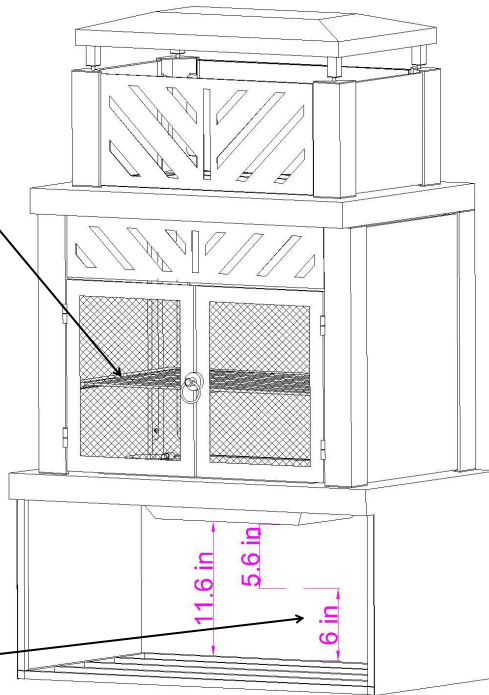


Step9: The N component is used to assist with the operation of the cooking rack, while the X component is employed to facilitate opening the door and adjusting the fire during the heating process.



Step10: Please pay attention to the reminder!!

When not in use, please remove the P cooking rack. During use, please use charcoal fire.



The height of the stack of wood does not exceed 6 inches.