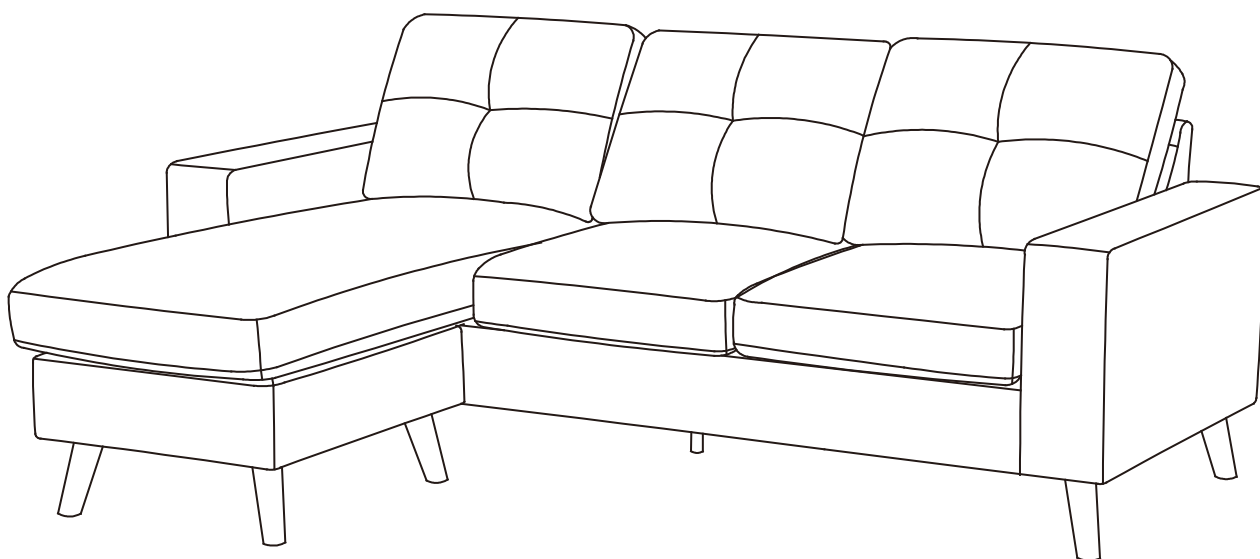


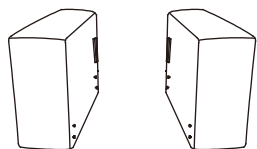
INcga106_US_CA



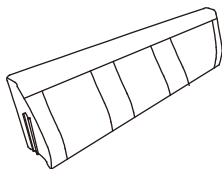
READ AND SAVE THIS INSTRUCTION FOR FUTURE USE

ASSEMBLY INSTRUCTION

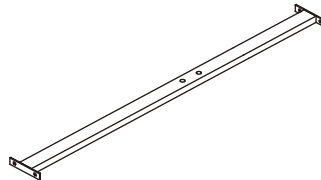
A x 2



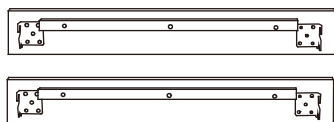
B x 1



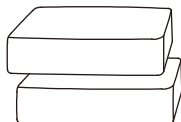
C x 1



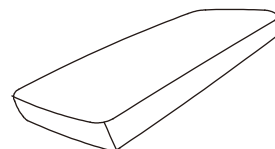
D x 2



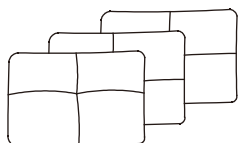
E x 2



F x 1



G x 3



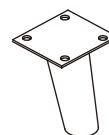
H x 2



I x 1



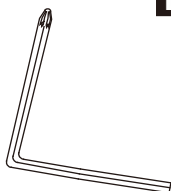
J x 8



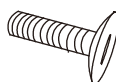
K x 8



L x 1



M x 36

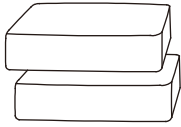
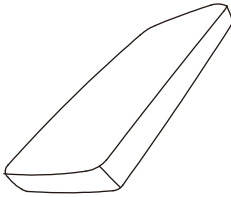


N x 1

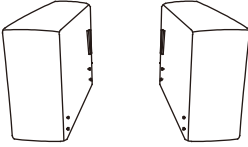

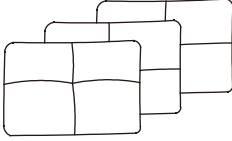
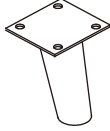


PACKING DETAILS: TOTAL 3 BOXES

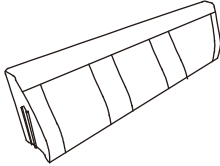

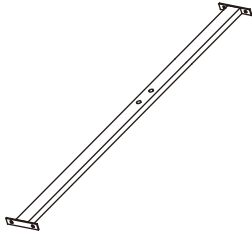
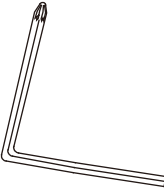
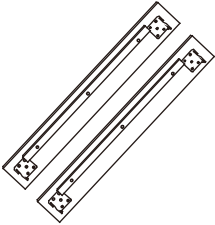
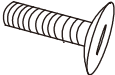
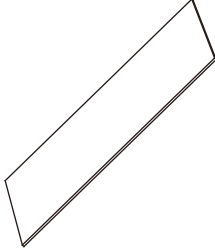

BOX-1/3

NO.	PARTS	QTY
E		2
F		1

BOX-2/3

NO.	PARTS	QTY	NO.	PARTS	QTY
A		2	I		1
G		3	J		8

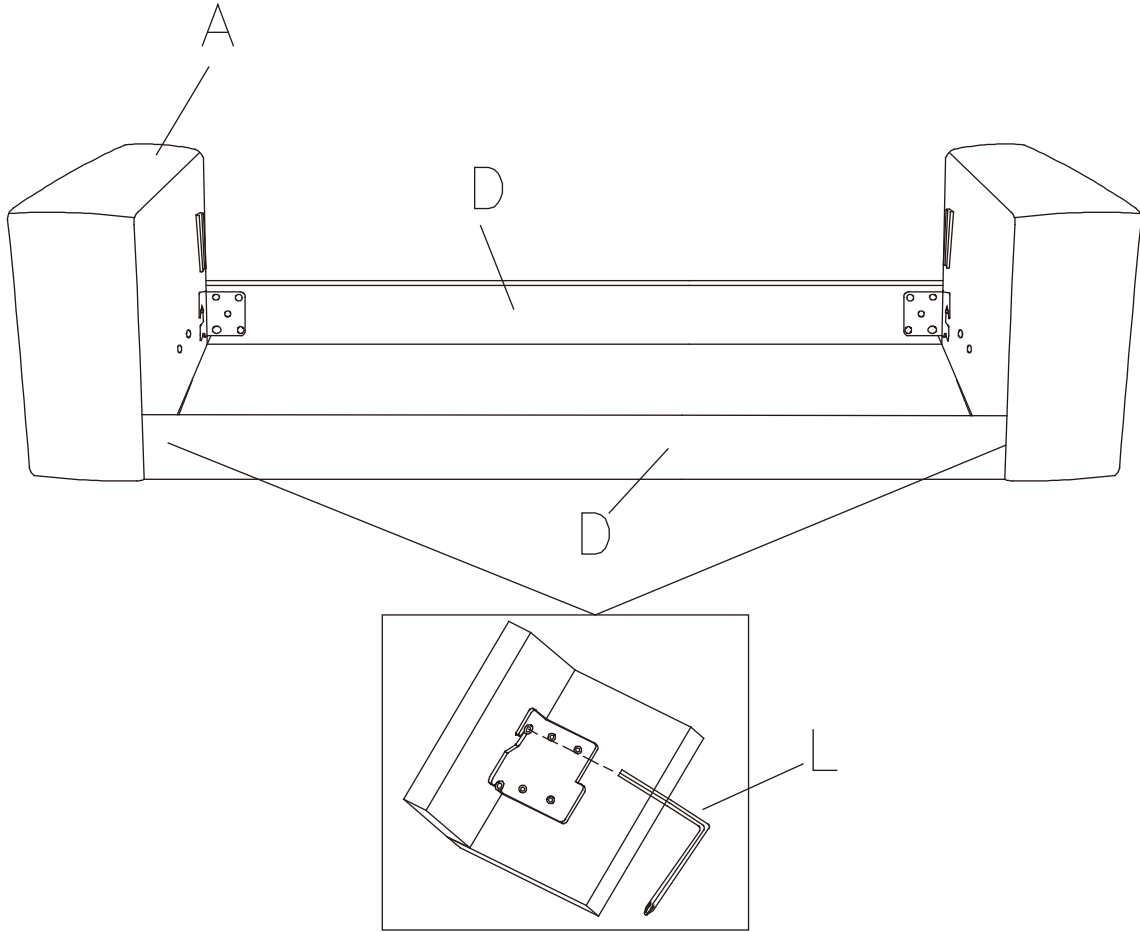
BOX-3/3

NO.	PARTS	QTY	NO.	PARTS	QTY
B		1	K		8
C		1	L		1
D		2	M		36
H		2	N		1

A x 2

D x 2

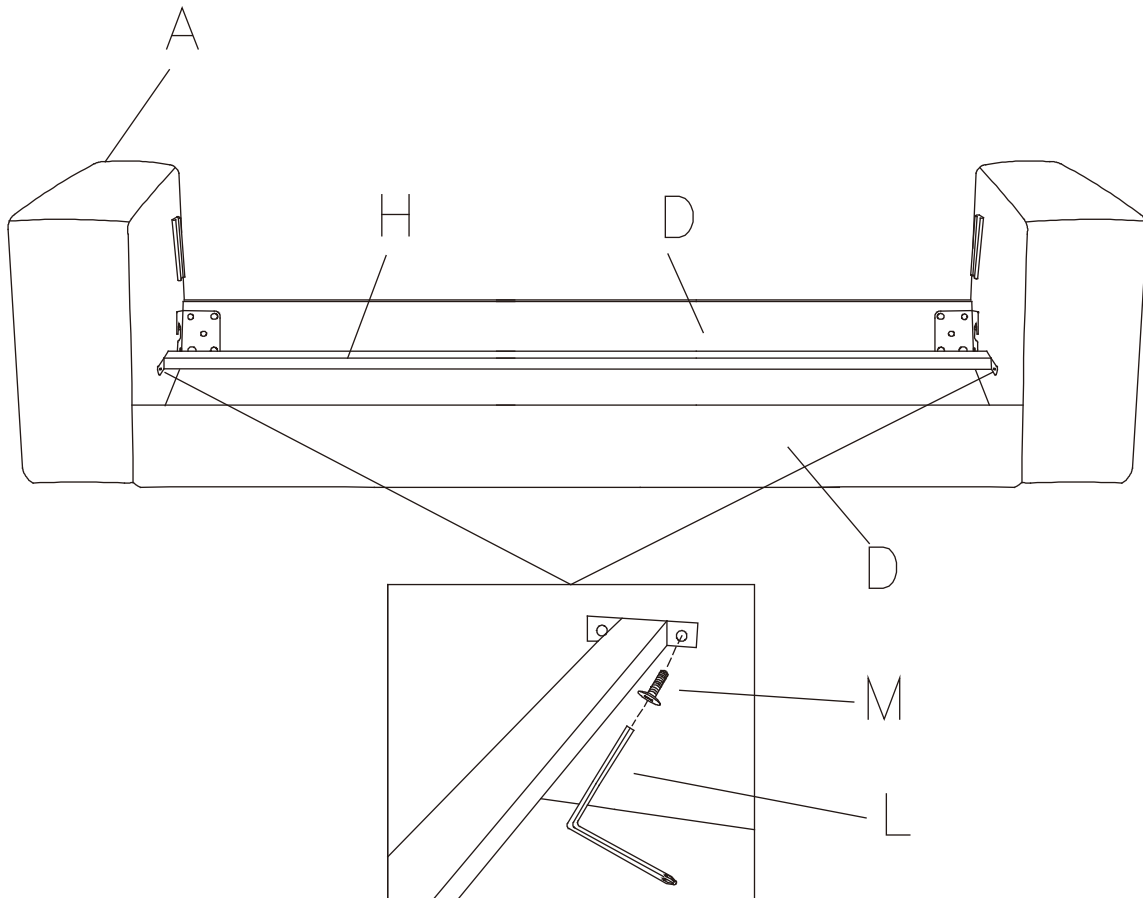
L x 1



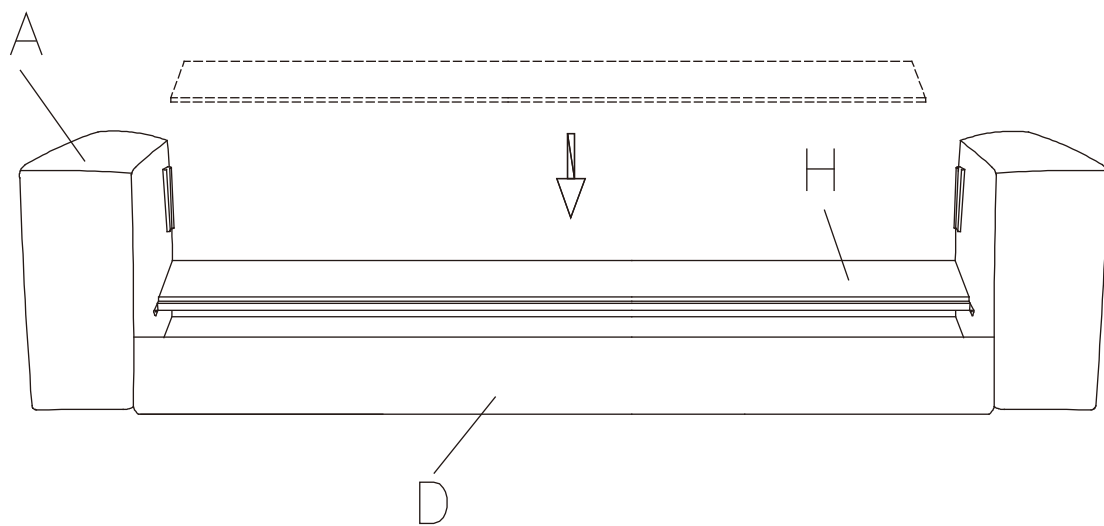
H x 1

M x 4

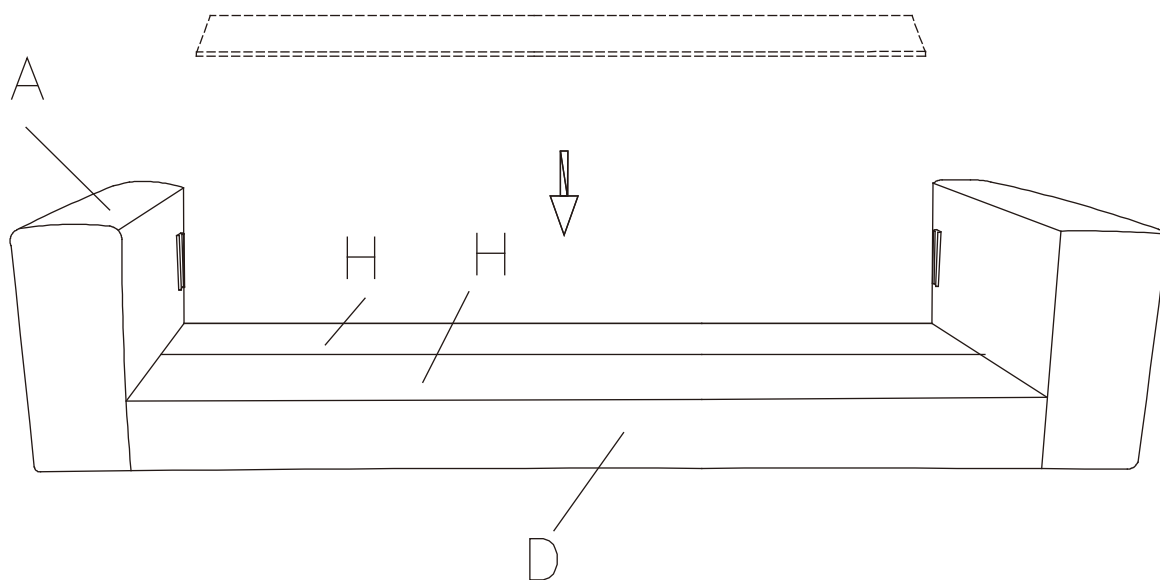
L x 1



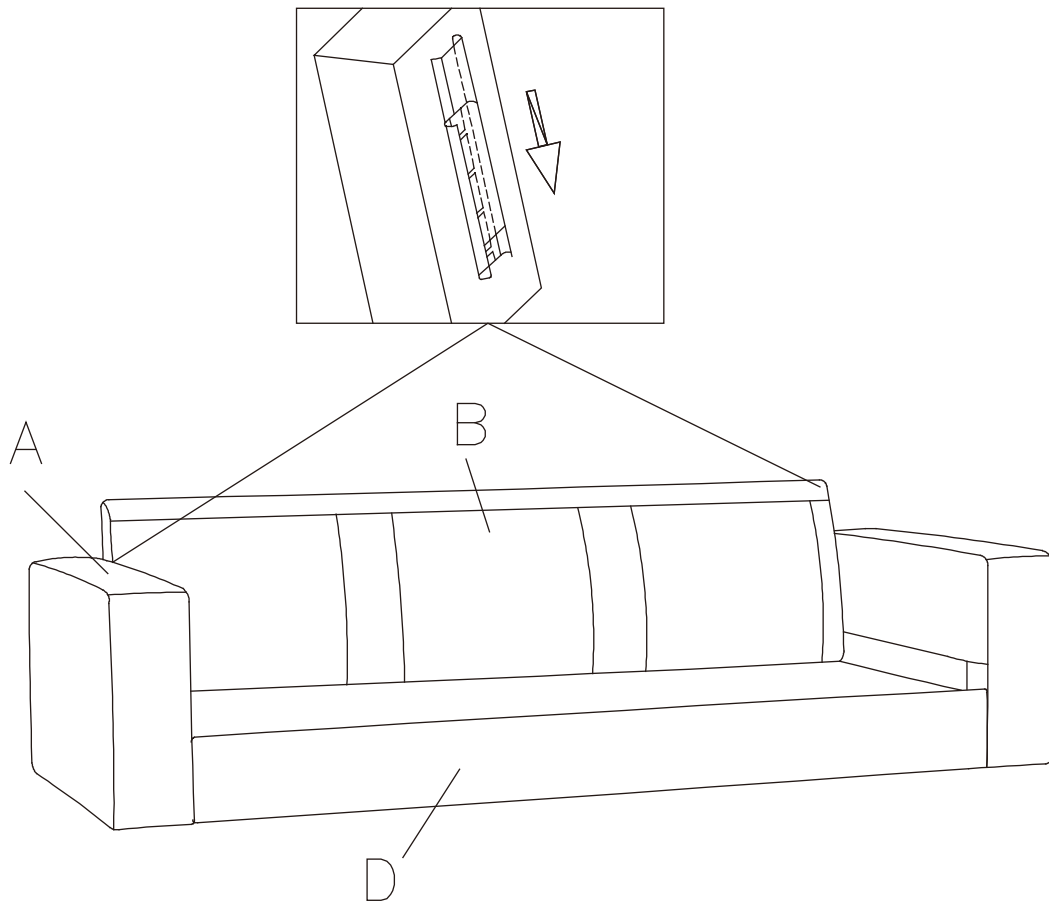
Hx 1



Hx 1



B x 1



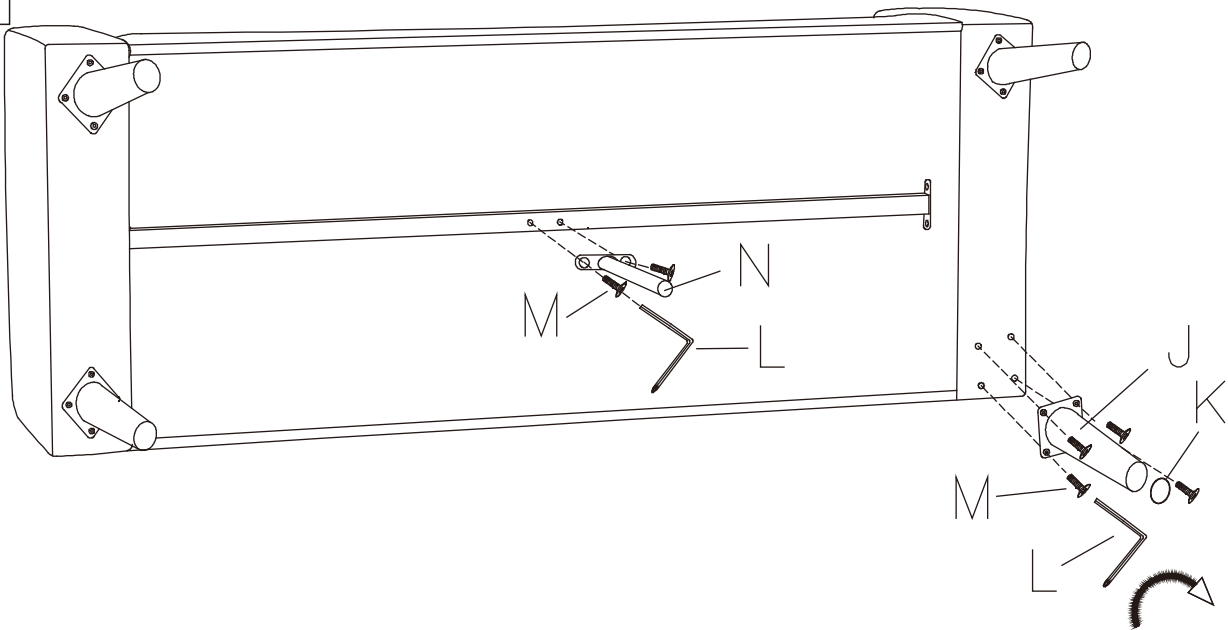
J x 4

K x 4

L x 1

M x 18

N x 1

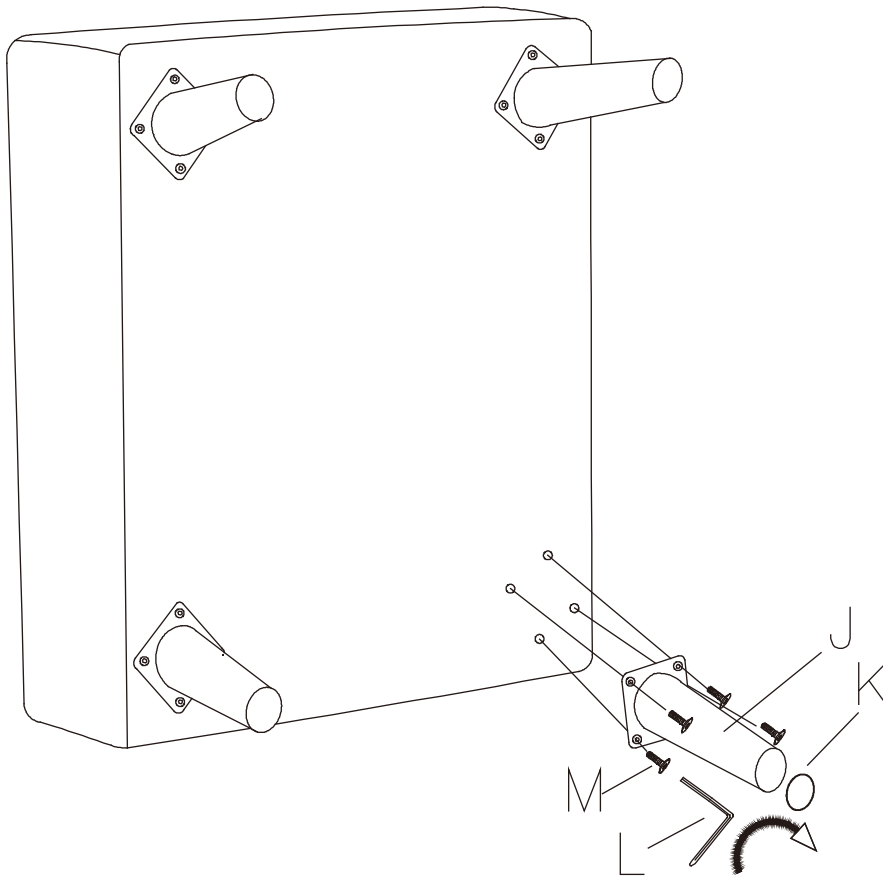


J x 4

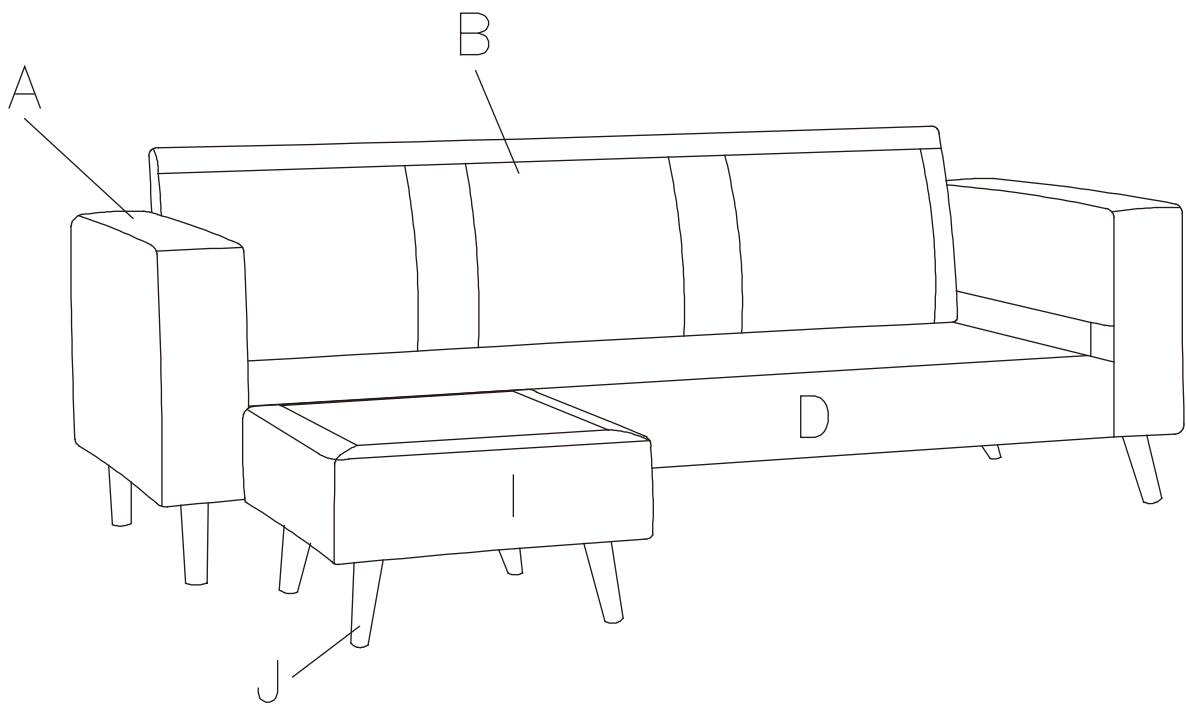
K x 4

L x 1

M x 16

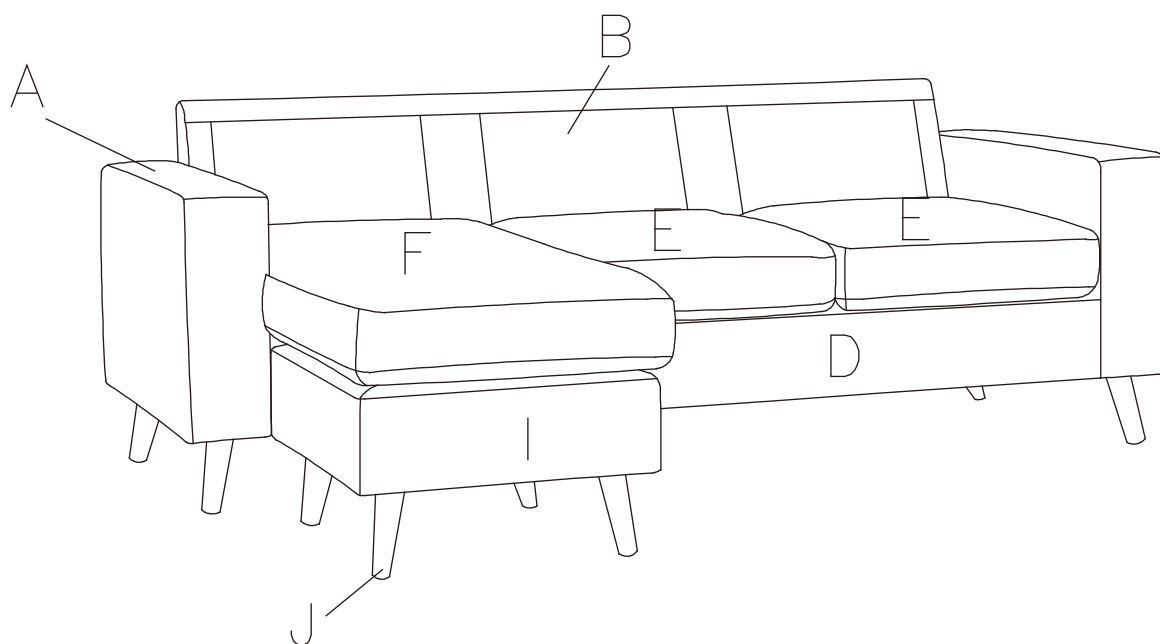


I x 1



Ex 2

Fx 1



Gx 3

